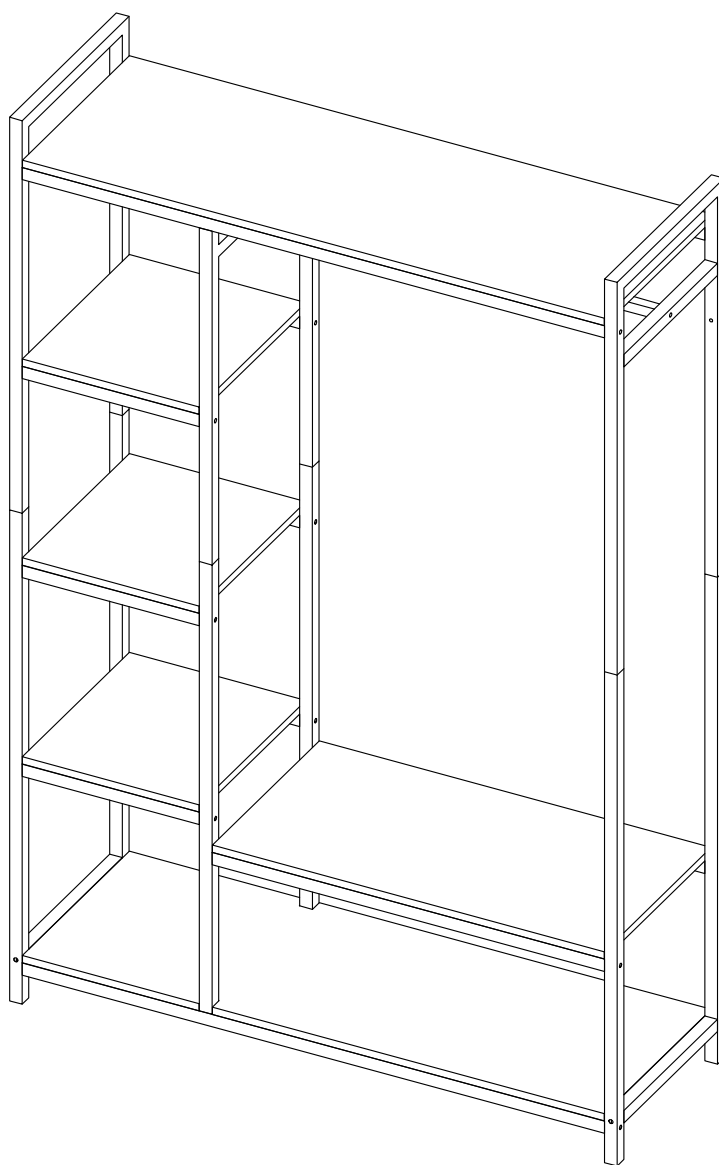
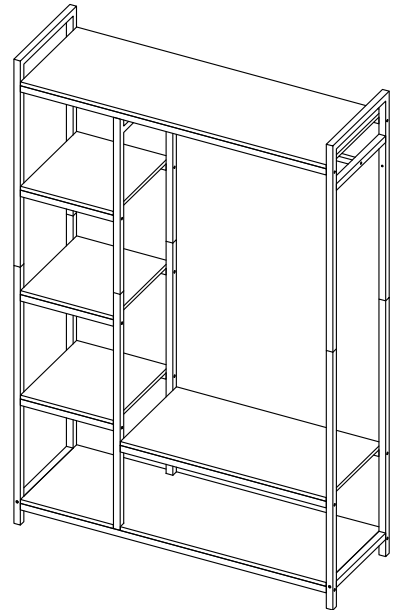


Closet Organizer Installation Instruction

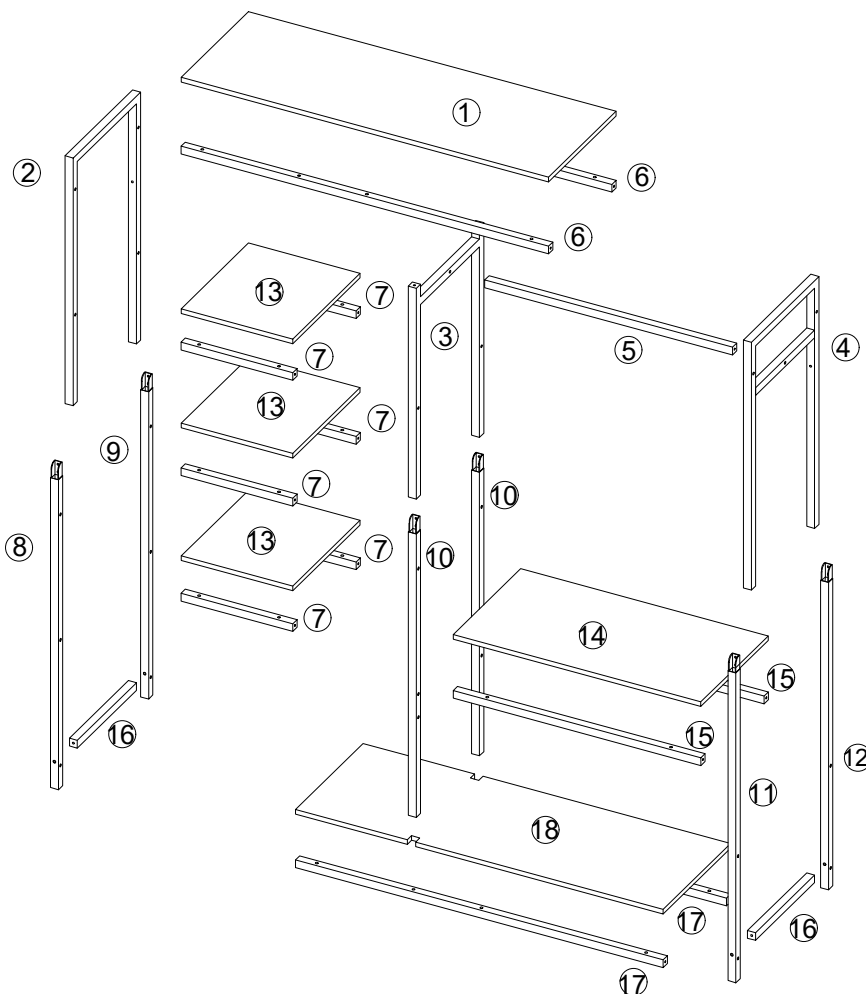


Installation Instruction

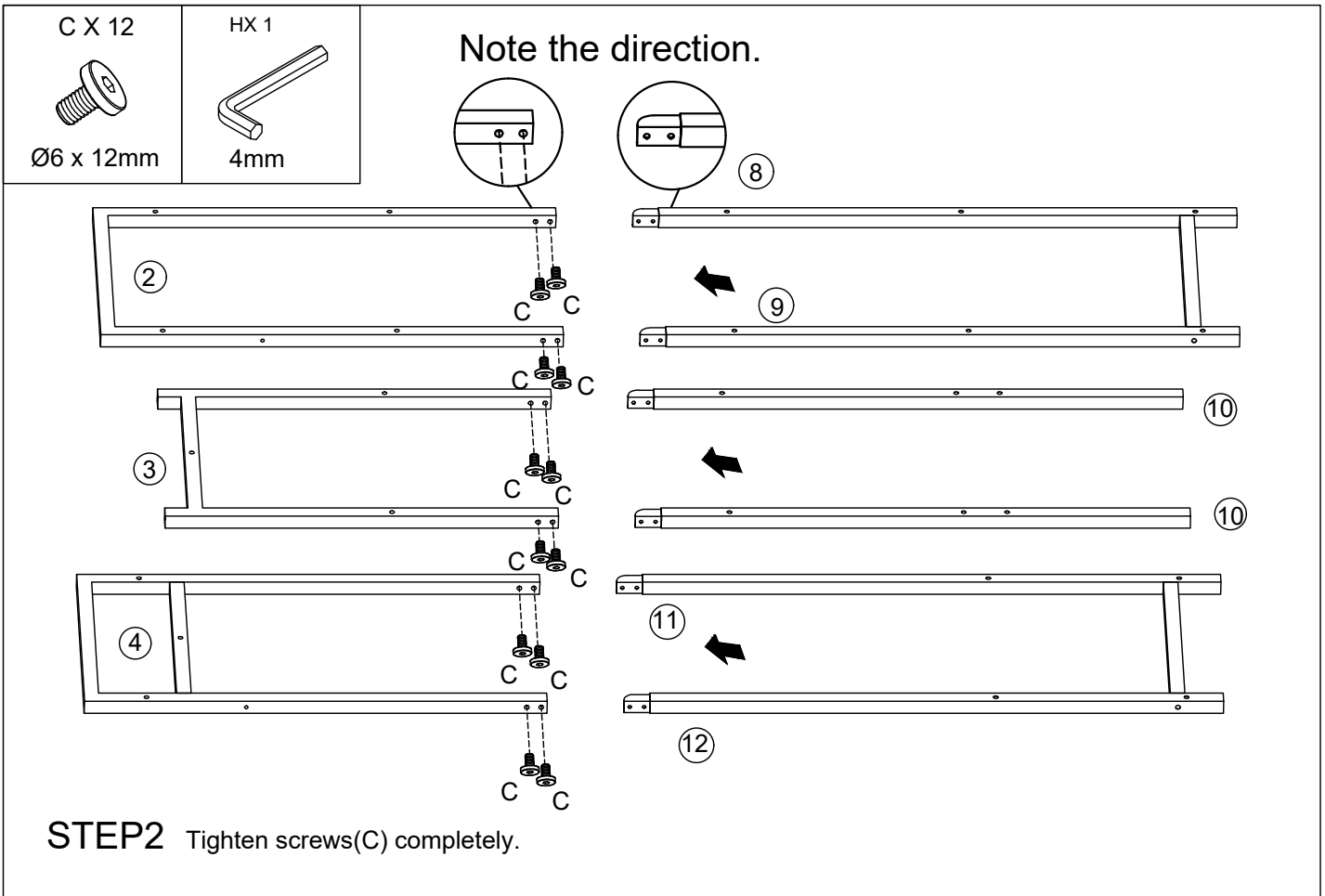
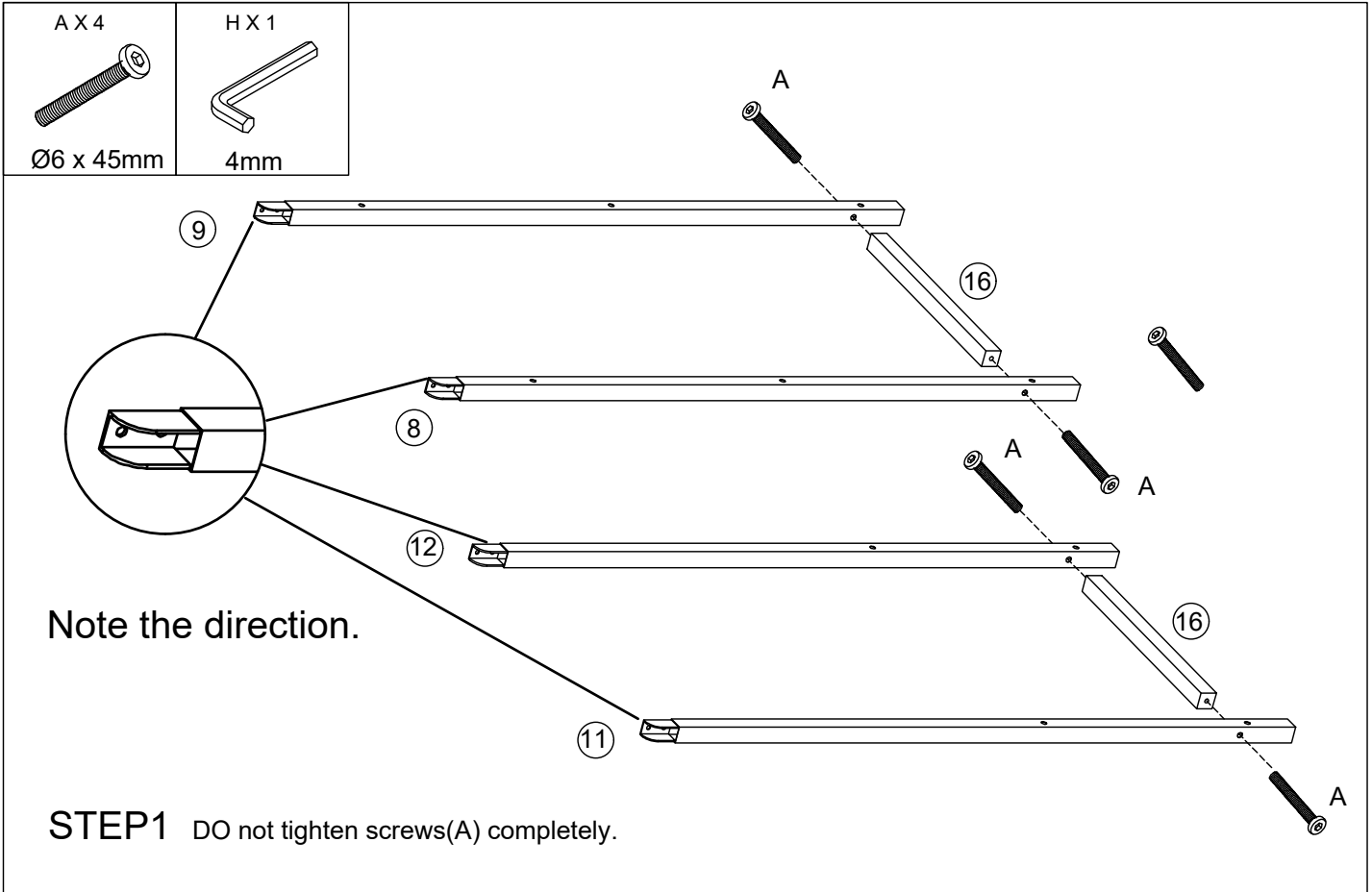


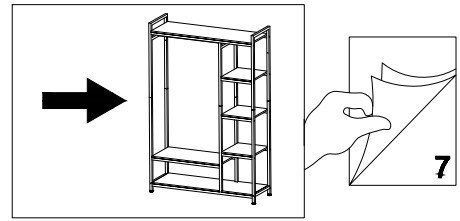
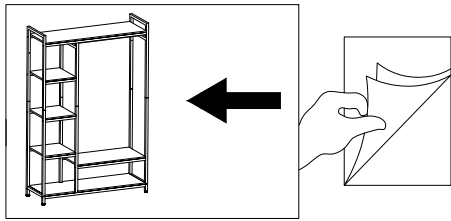
Bill of Material

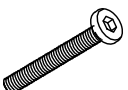
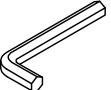
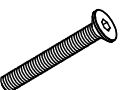
A X 32	B X 28	C X 12	H X 2	D X 1	E X 2	F X 2	G x 4
Ø6 x 45mm	Ø6 x 35mm	Ø6 x 12mm	Ø6 x 45mm	4mm	Ø6 x 26mm	Ø4 x 45mm	

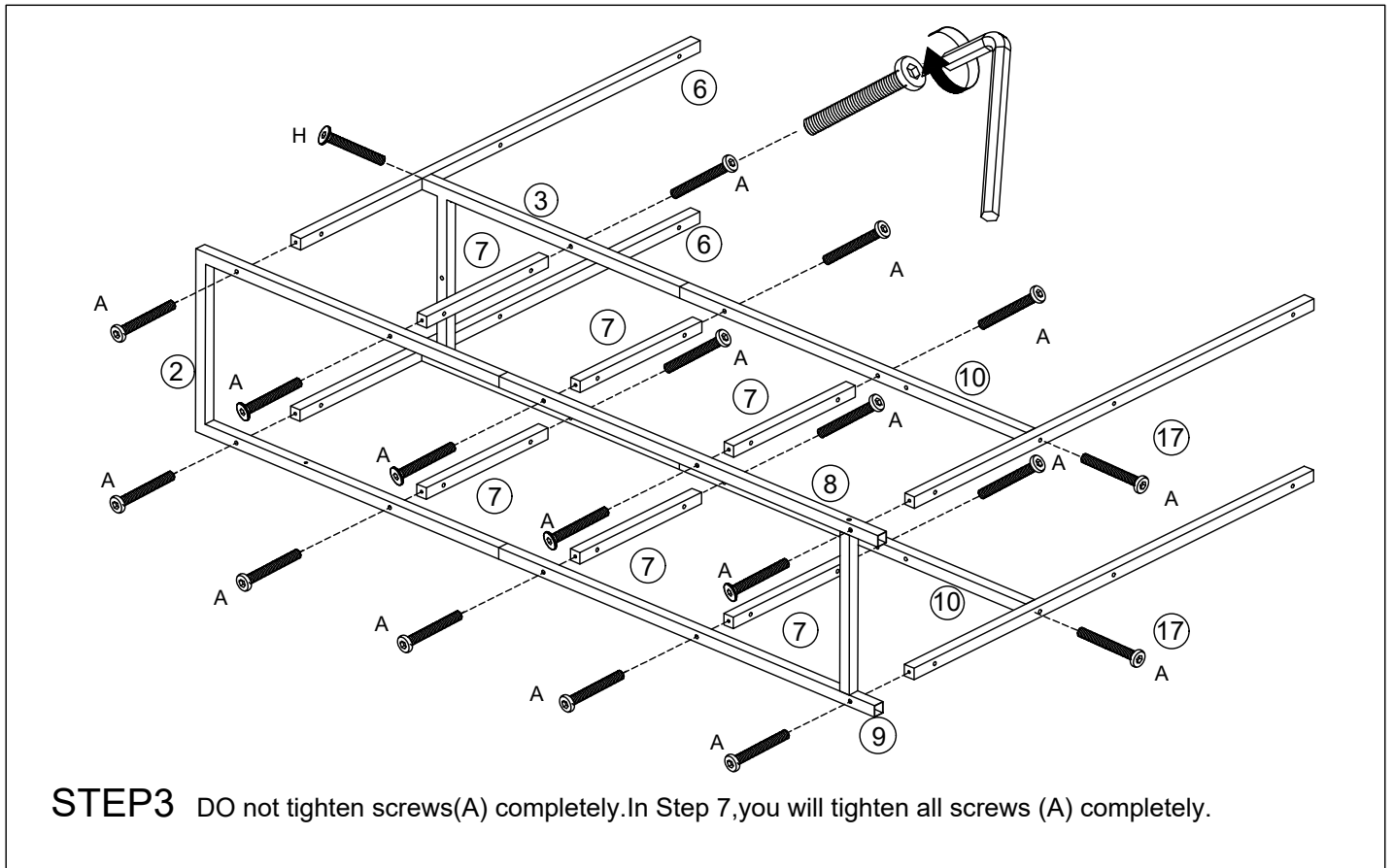


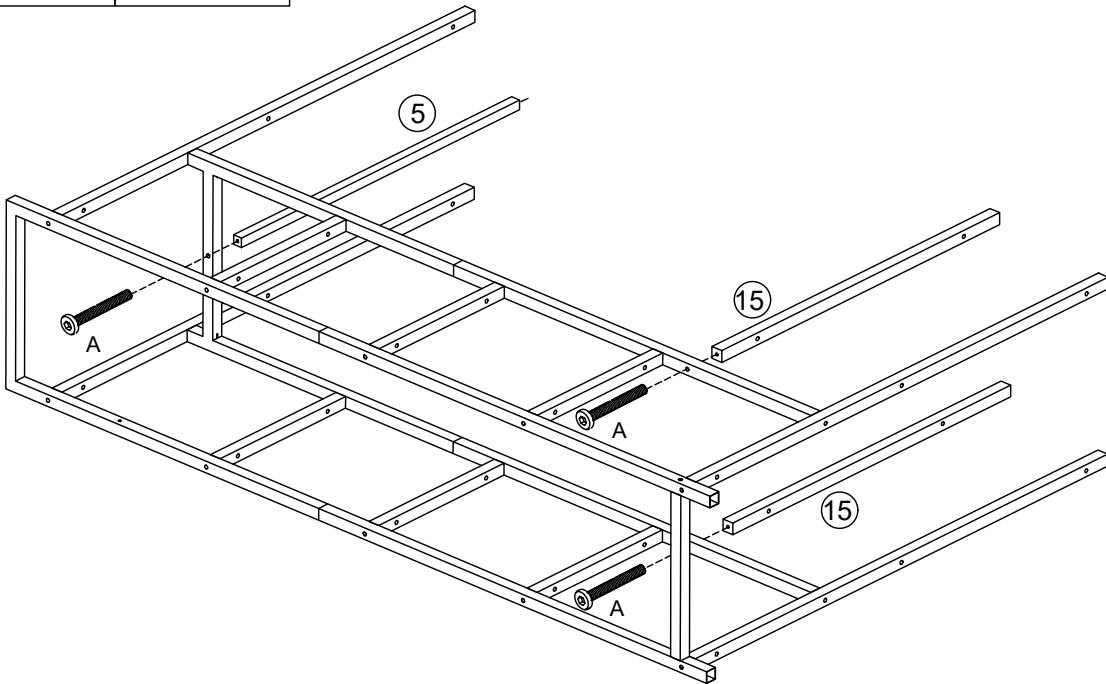
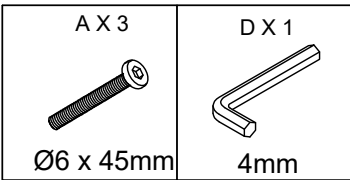
1		x 1
2		x 1
3		x 1
4		x 1
5		x 1
6		x 2
7		x 6
8		x 1
9		x 1
10		x 2
11		x 1
12		x 1
13		x 3
14		x 1
15		x 2
16		x 2
17		x 2
18		x 1



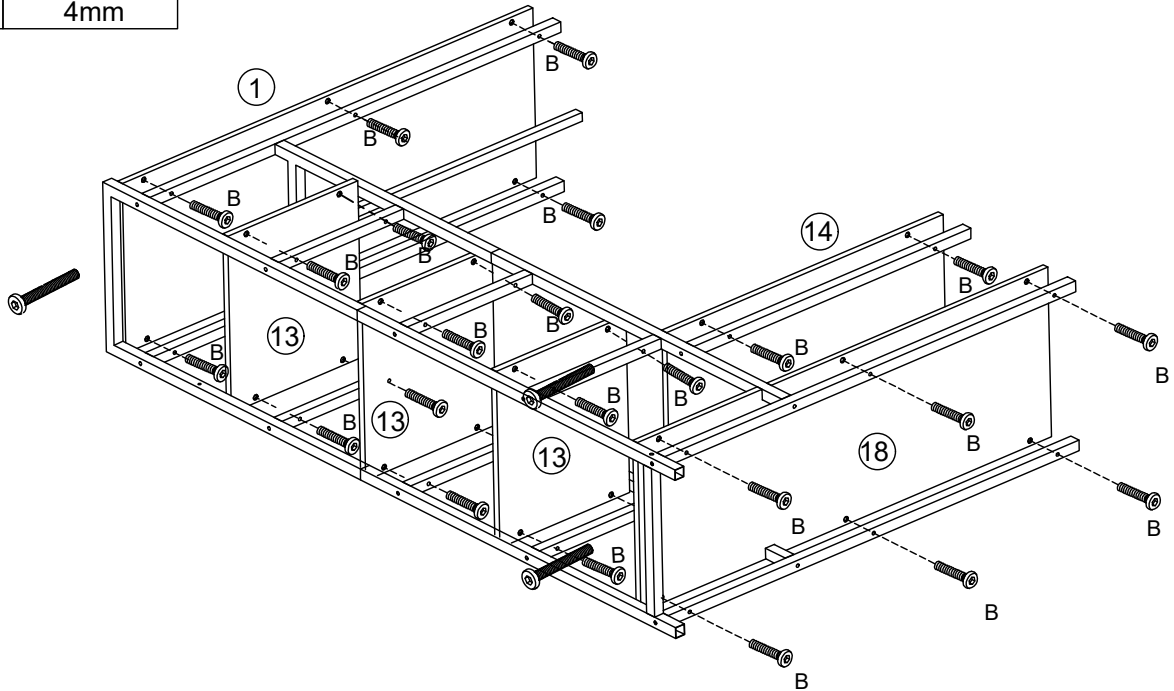
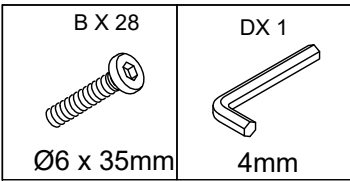


<p>A X 18</p>  <p>Ø6 x 45mm</p>	<p>D X 1</p>  <p>4mm</p>	<p>HX 2</p>  <p>Ø6 x 45mm</p>
--	---	--

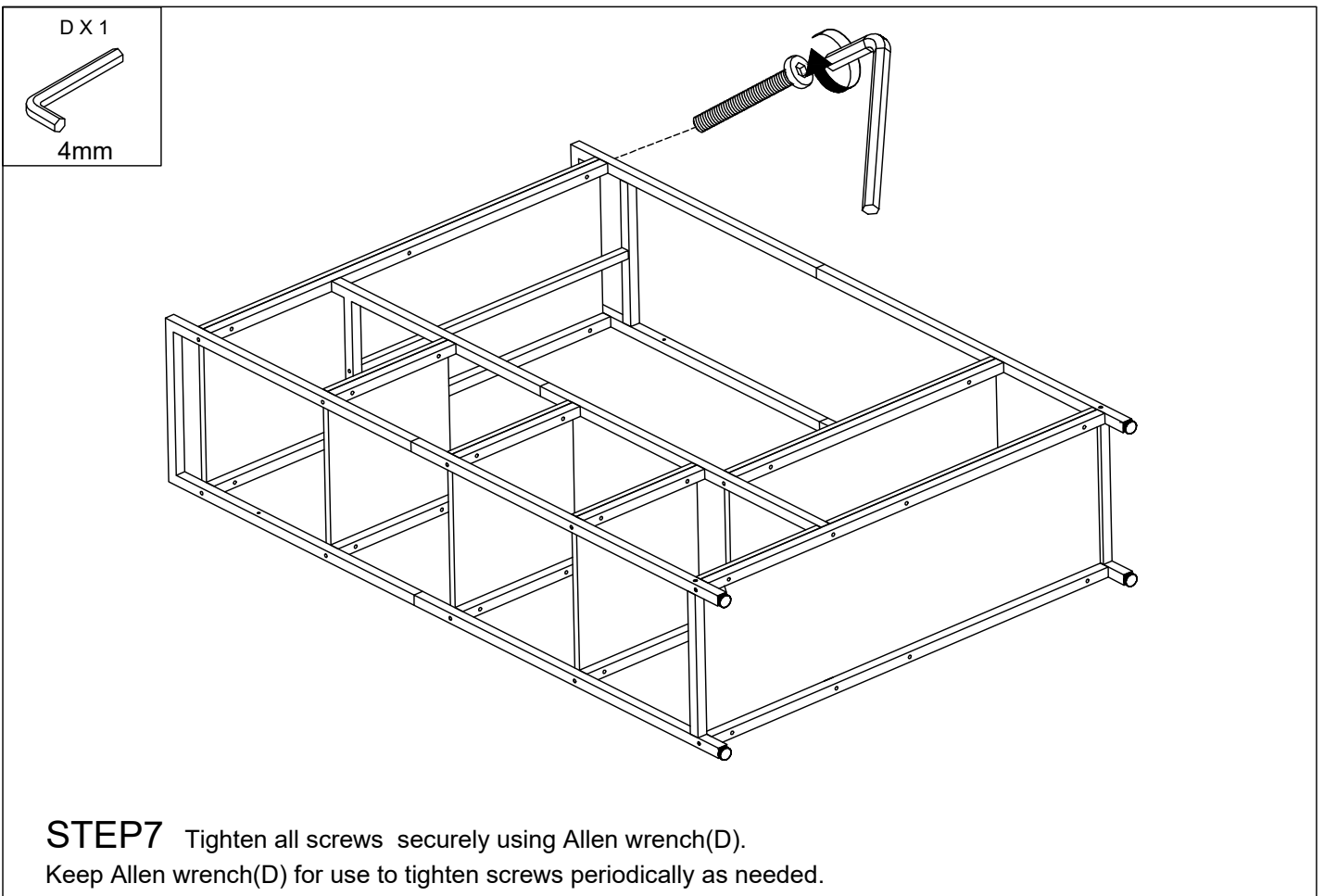
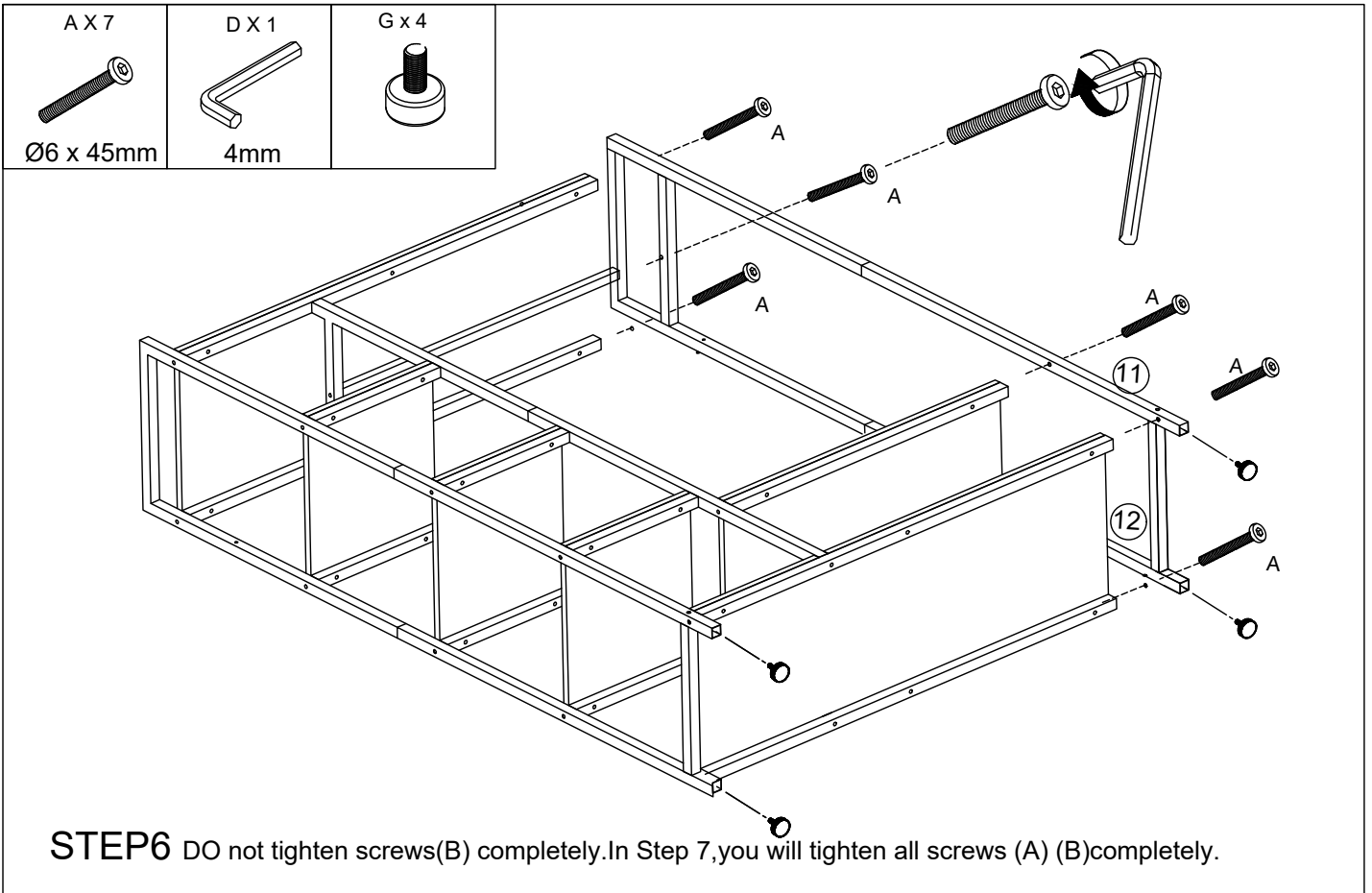




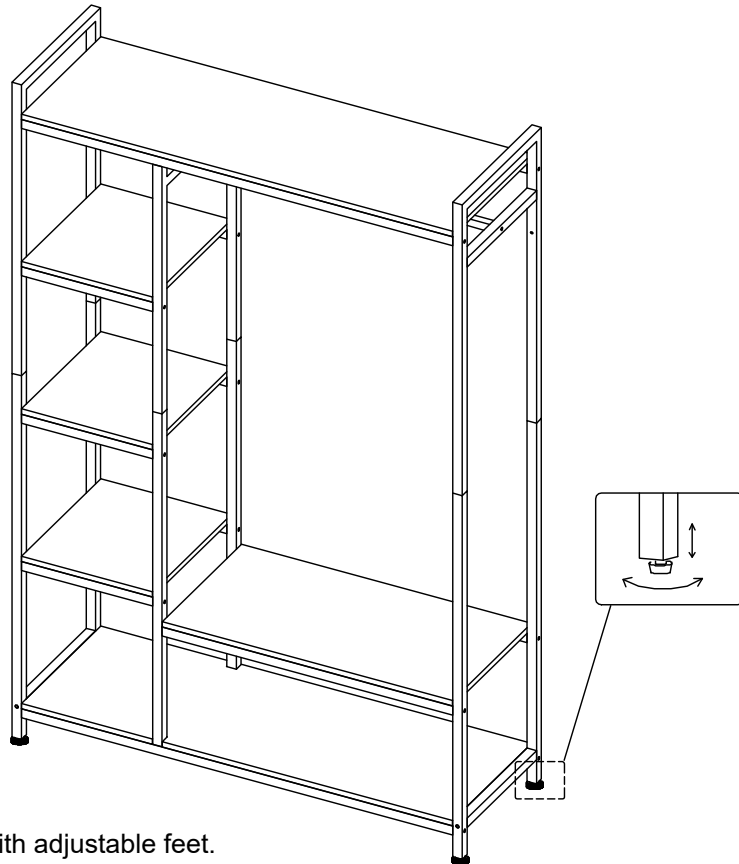
STEP4 DO not tighten screws(A) completely.In Step 7,you will tighten all screws (A)completely.



STEP5 DO not tighten screws(B) completely.In Step 7,you will tighten all screws (A) (B)completely.

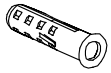


G x 4



STEP 8 Level the product with adjustable feet.

EX 2

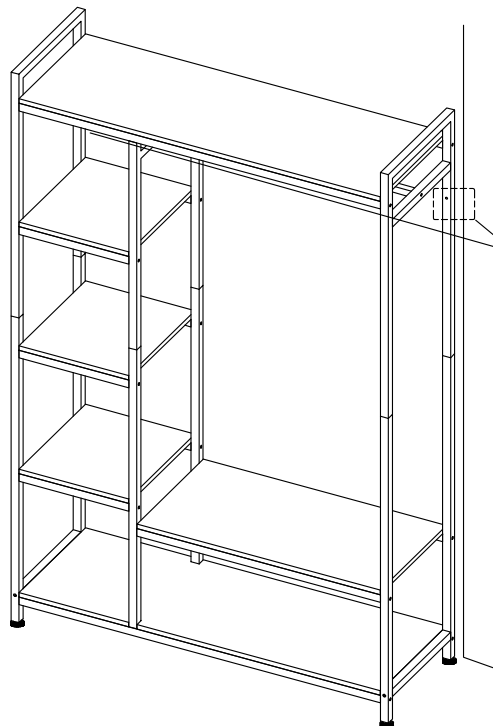


Ø6 x 26mm

FX 2



Ø4 x 45mm



STEP 9 Mount the product using wall anchors and screws to the wall.