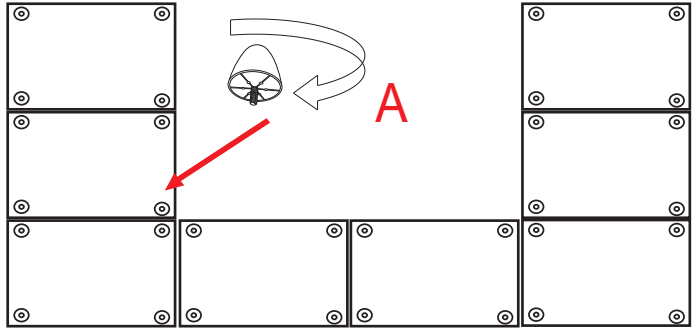


ASSEMBLY INSTRUCTION

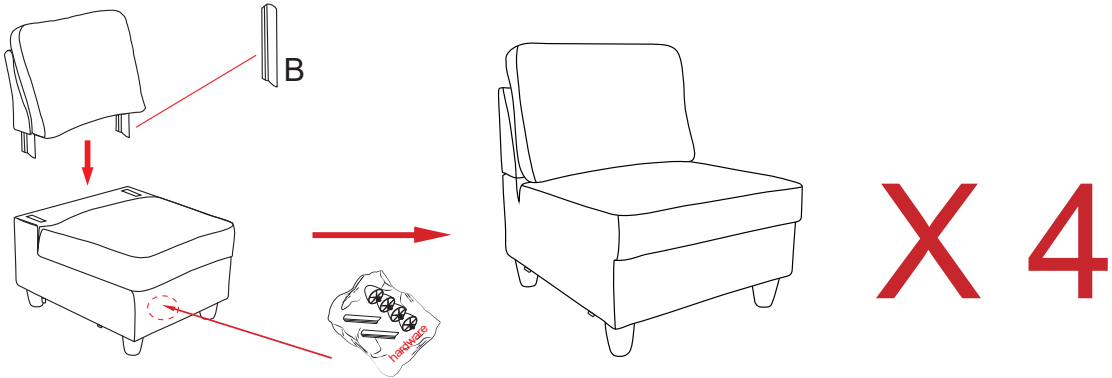
ATTENTION:
LEGS LOCATION:
 Please check zipper
 compartment underneath the seat area.

HARDWEAR LIST		
NO.	DESCRIPTION	QTY (pcs)
A	 leg	32
B		16

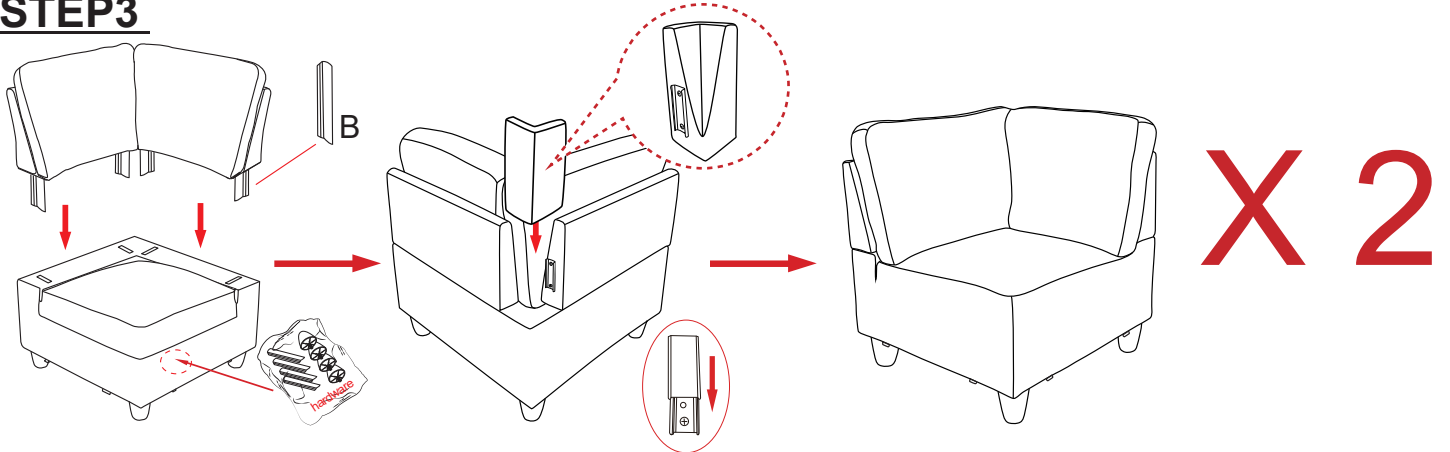
STEP1



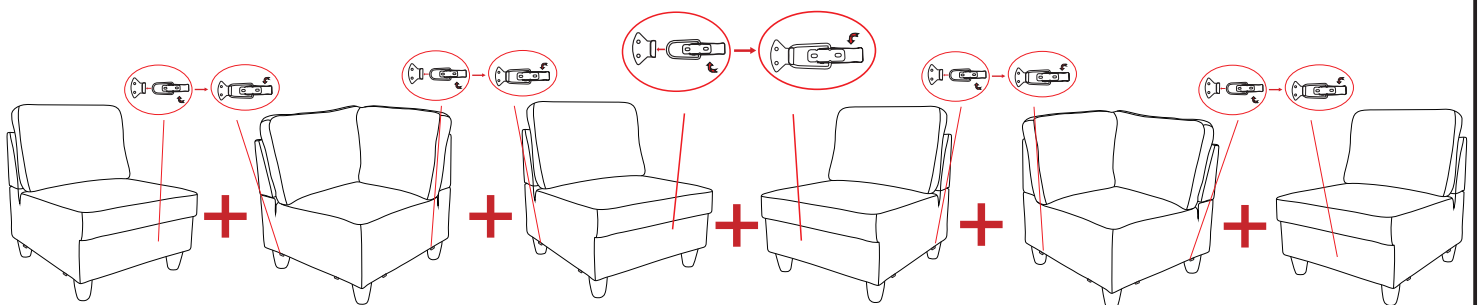
STEP2



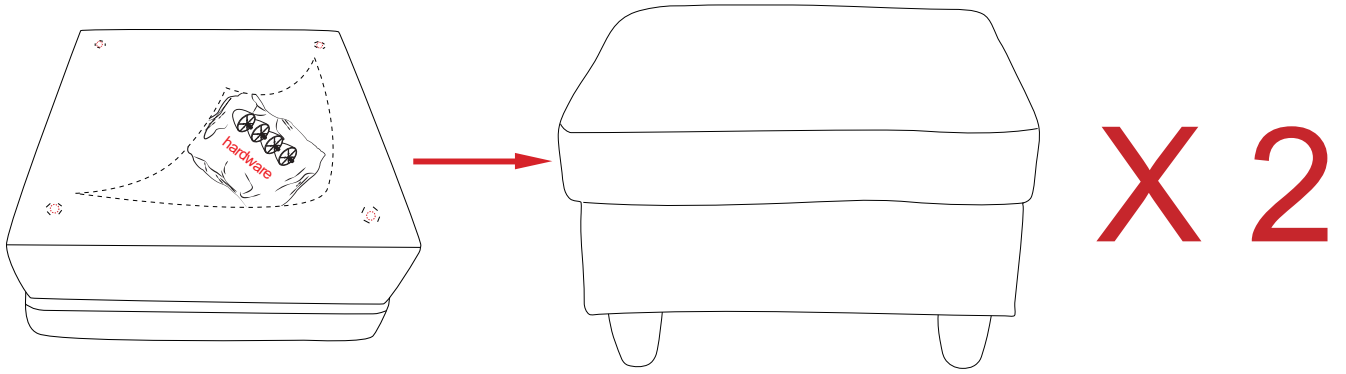
STEP3



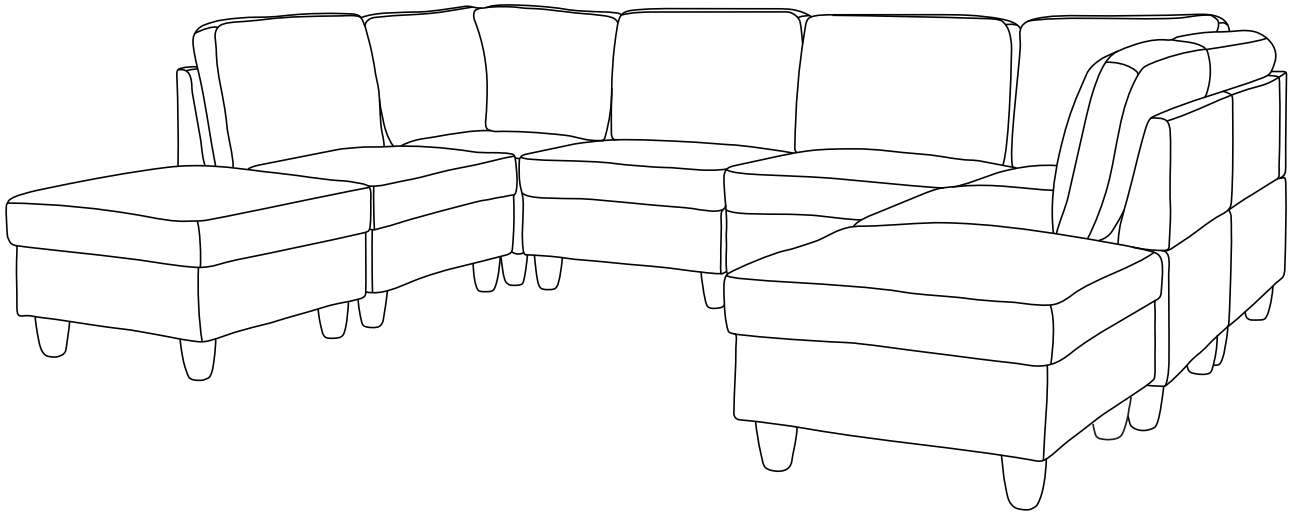
STEP4



STEP5



STEP6-1



STEP6-2

