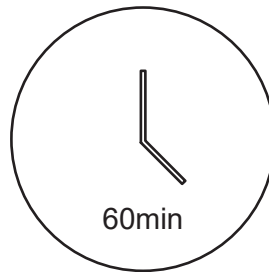


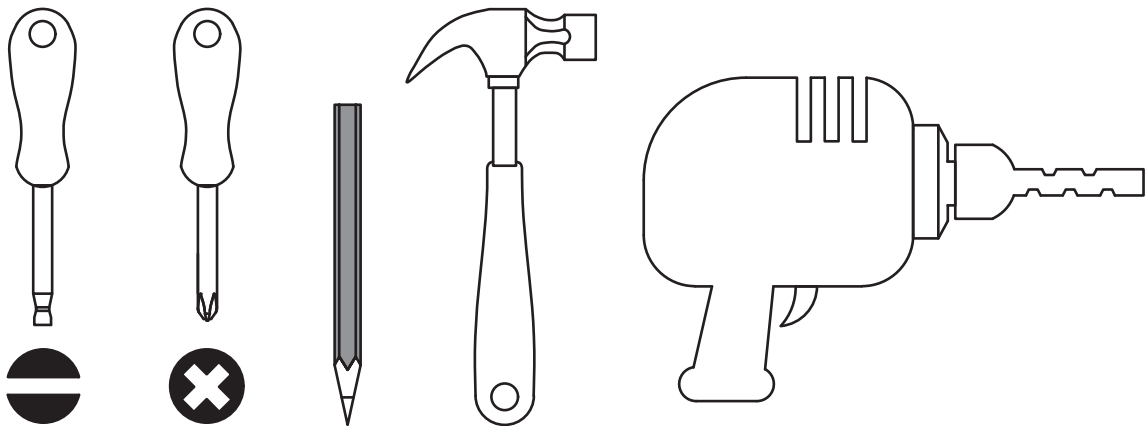
Kitchen Island & Carts

Assembly Instructions

- Read these instructions carefully and keep for future referende. Refer to parts inventory for guidance, and ensure you have all piecees before starting.
- When assembling place all parts on a soft, clean, and flat surface such as a carpet to prevent scratches.
- During assembly, align all screws with the corresponding pre-drilled holes first and then tighten them one by one.
- Do not discard any contents until after assembly is complete to avoid accidentally discarding small parts or hardware.
- Adult assembly required:2 person required.
- Installation time is approximately: 60 minutes

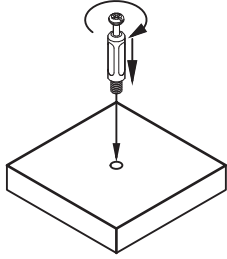


Tools you may need:

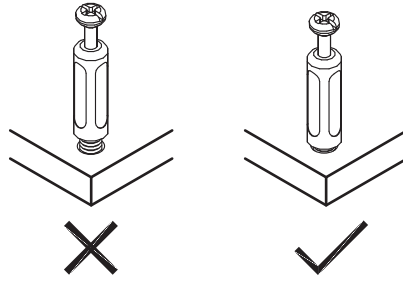


- Note: It is recommended that installation of the productbe done by a qualified licensed furniture assembler.

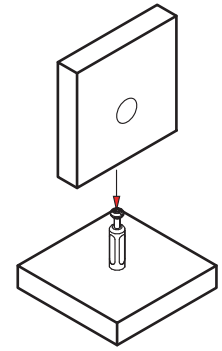
Cam lock fastening system installation



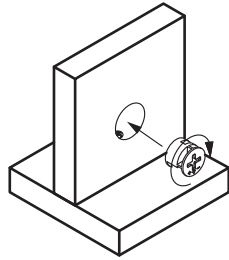
1. Install the screw rod



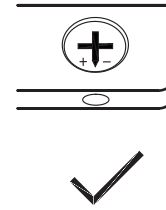
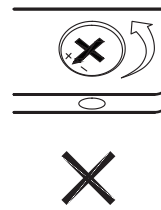
2. Pay attention to tightening the screw rod



3. Installation plate



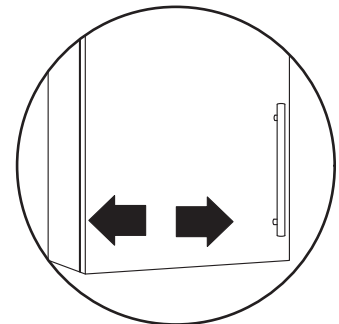
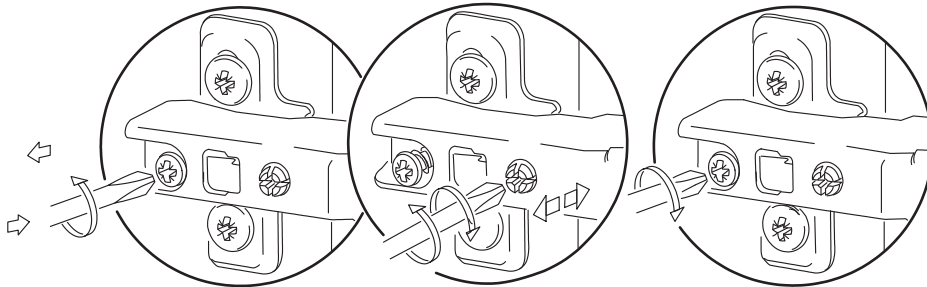
4. Align the arrow of the eccentric component with the screw rod



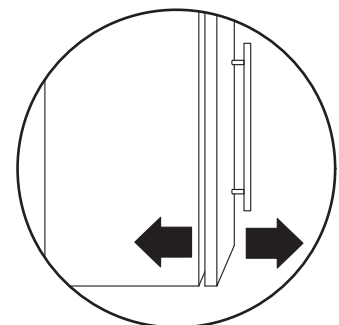
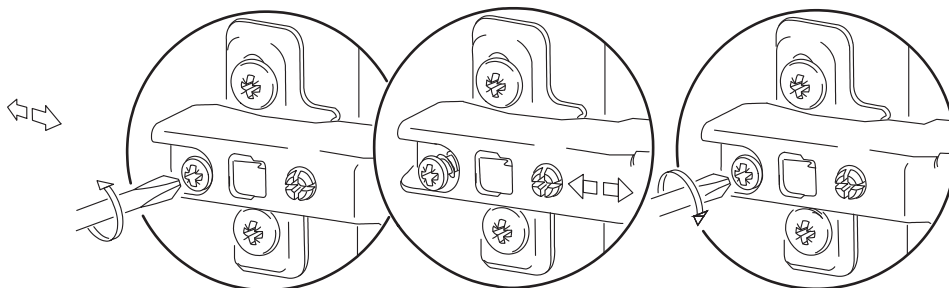
5. Pay attention to aligning the arrow of the eccentric part with the screw rod

Door hinge installation

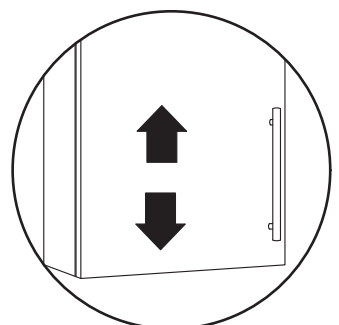
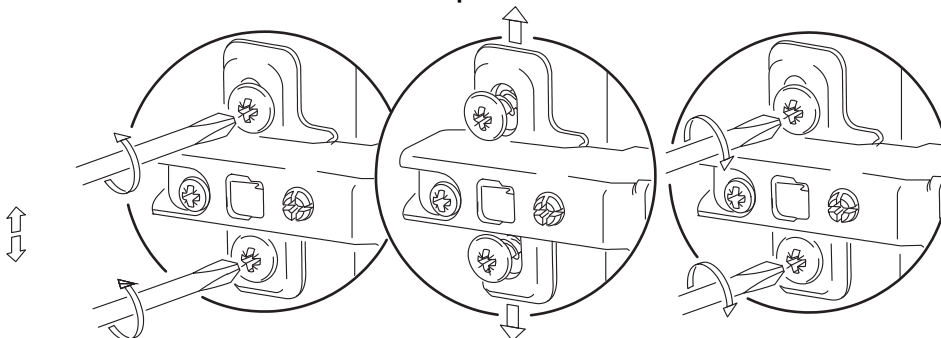
1. Screw off to fix the door left and right:



2. Screw off to fix the door front and back:



3. Screw off to fix the door up and down:

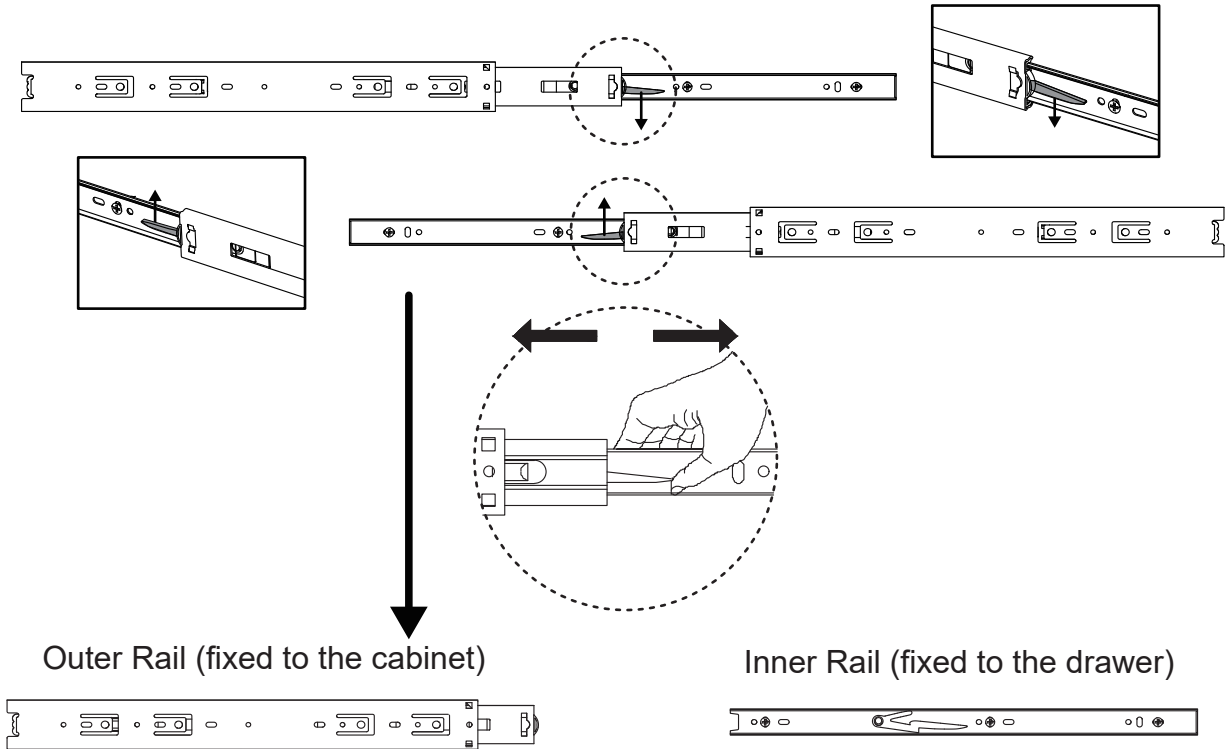


Removal of Drawer Slides

1. Upon receiving the product, inspect the slide assembly.



2. Unlock the latches and pull out the inner track.

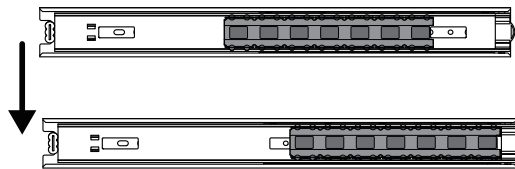


Installation of Drawer Slides

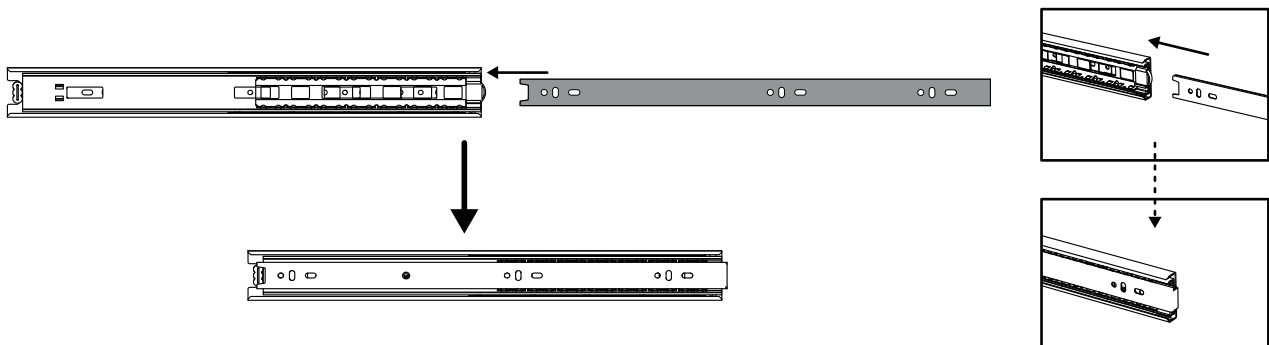
1. Push and retract the middle rail fully till the end.



2. Keep the Ball Bearing plates at the outer end of middle rail.



3. Align the inner rail with the middle rail and slide in until the latches get locked with a click sound, then keep pushing to complete the installation.



Parts List

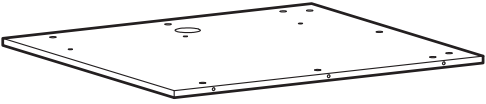
A x 2



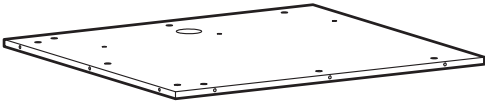
B x 1



C x 1



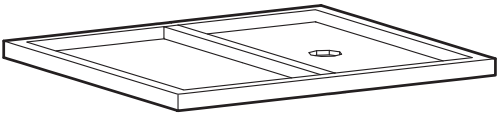
D x 1



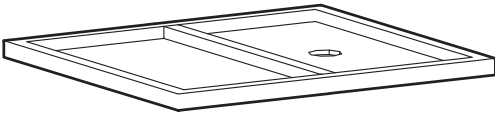
E x 2



F x 1



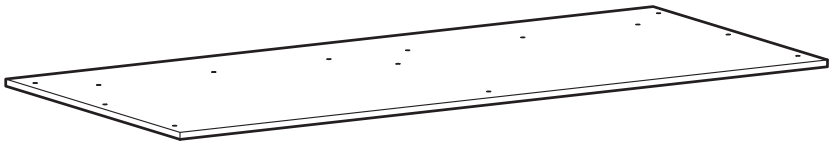
G x 1



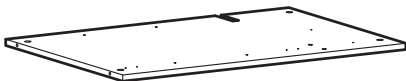
H x 2



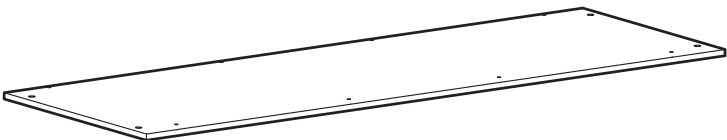
I x 1



J x 1



K x 1



L x 4



M1 x 2



M2 x 2



N1 x 2



N2 x 2



O x 2



P x 2



Q x 2



R1 x 1



R2 x 1



R3 x 1

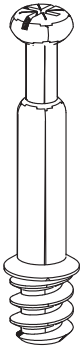


R4 x 1

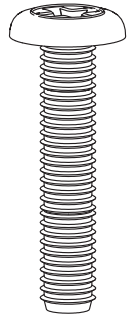


Accessories list

1 x 74

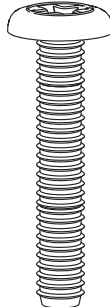


2 x 6



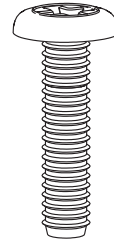
M6*22mm

3 x 8



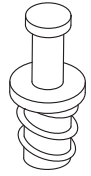
M4*22mm

4 x 4

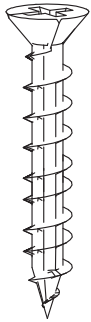


M4*16mm

5 x 16

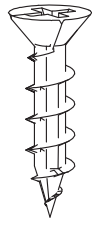


6 x 24



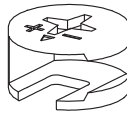
M3.5*30mm

7 x 72

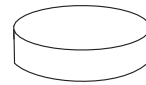


M3.5*14mm

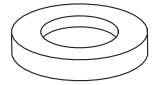
8 x 74



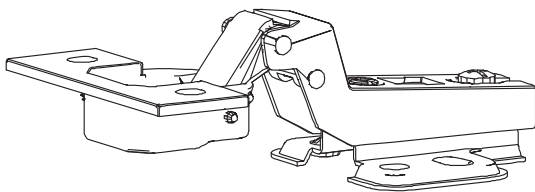
9 x 6



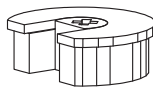
10 x 6



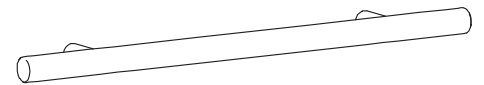
11 x 8



12 x 16



13 x 6



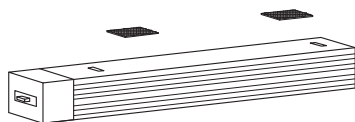
14 x 4



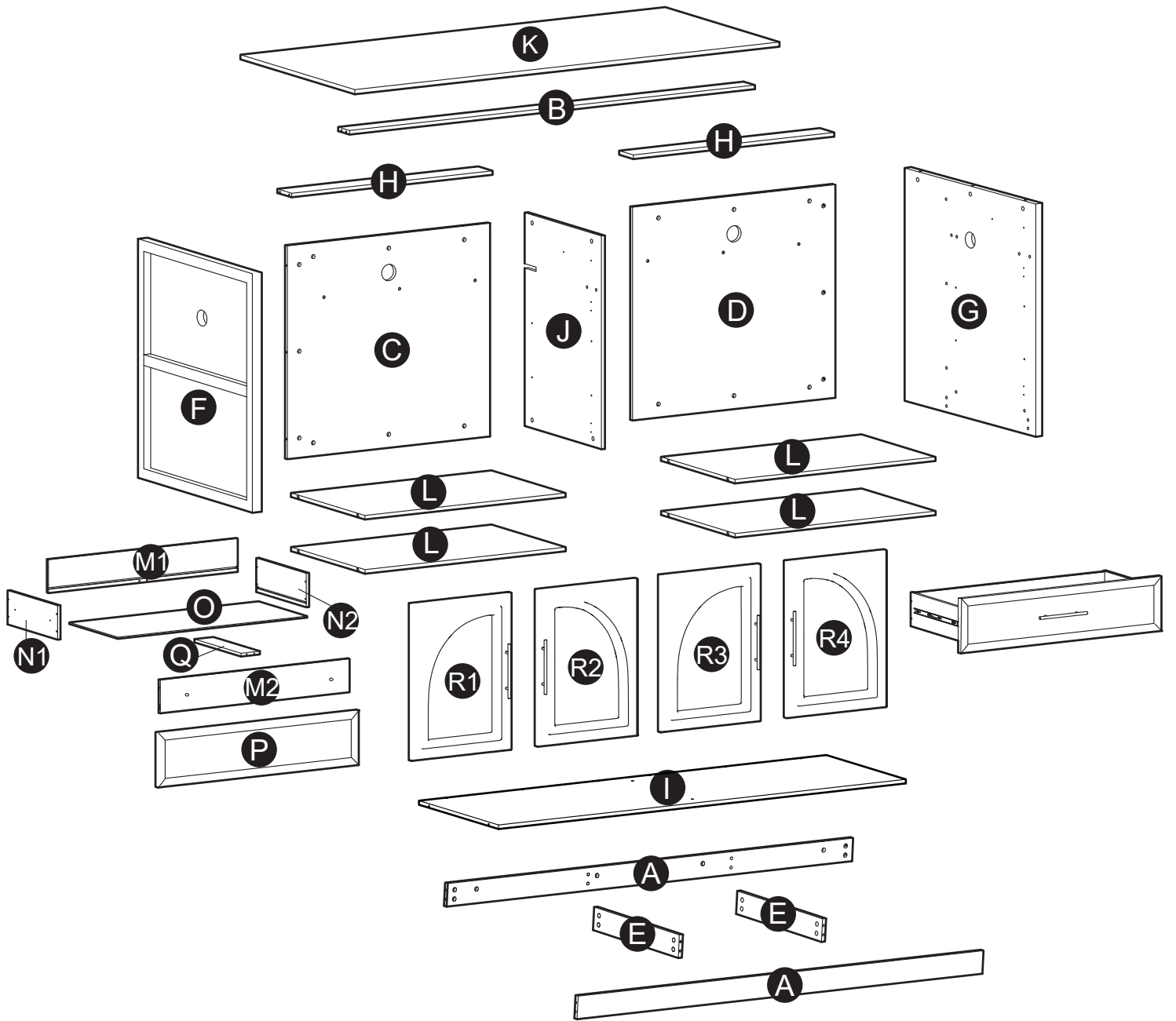
15 x 4



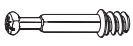

16 x 6

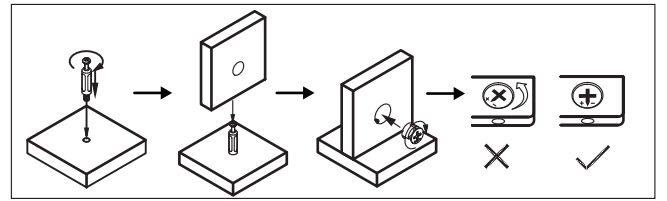
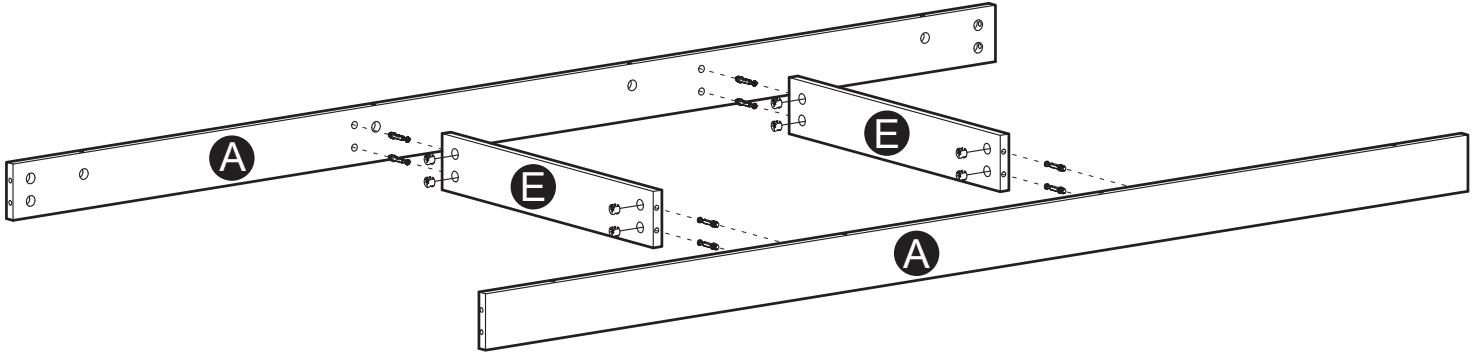


Exploded Views

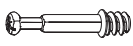



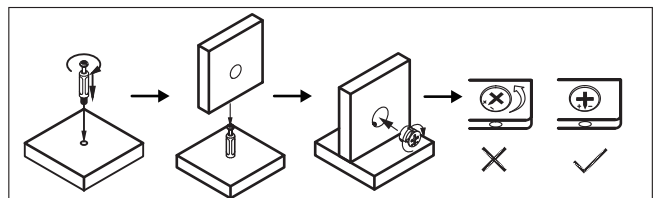
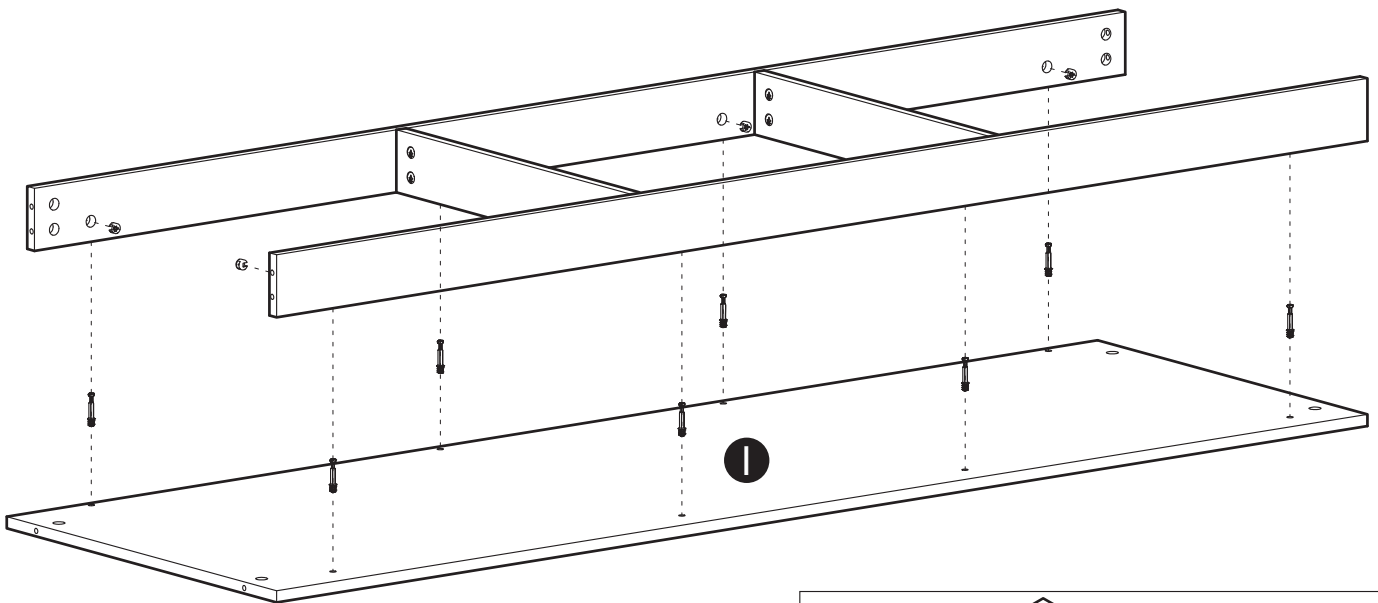
Step-1

| | | | | | |
|---|---|----|---|---|----|
| 1 |  | x8 | 8 |  | x8 |
|---|---|----|---|---|----|





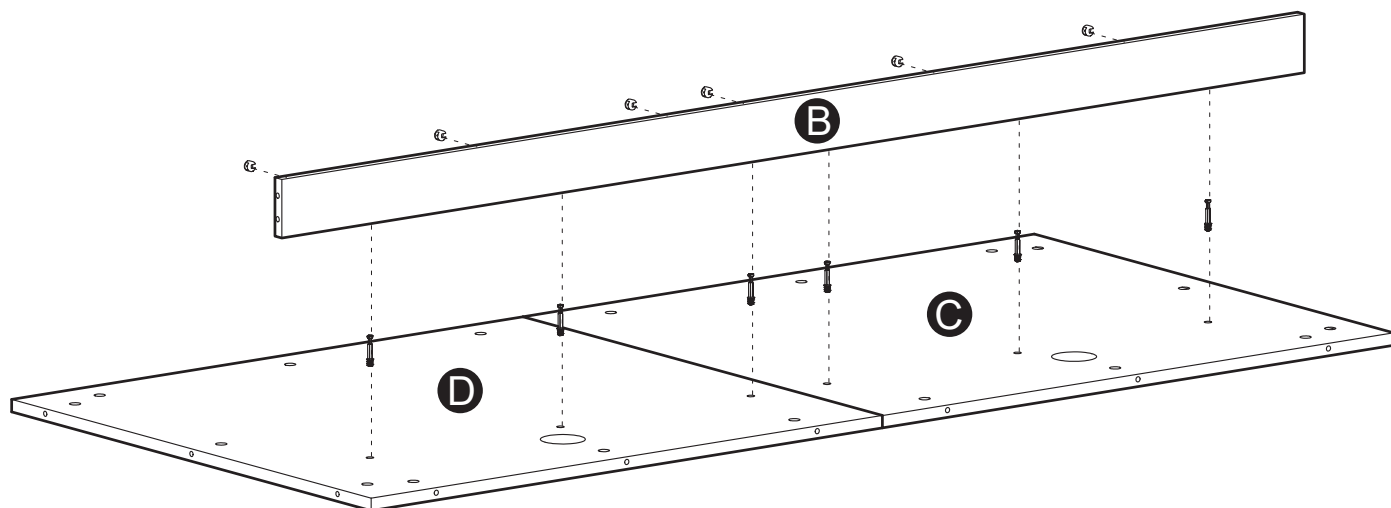
Step-2

| | | | | | |
|---|---|----|---|---|----|
| 1 |  | x8 | 8 |  | x8 |
|---|---|----|---|---|----|



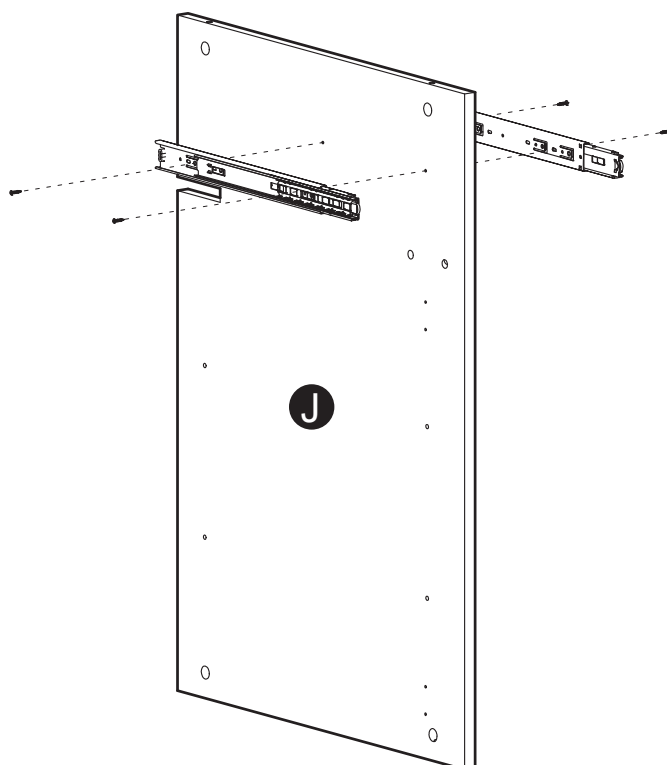
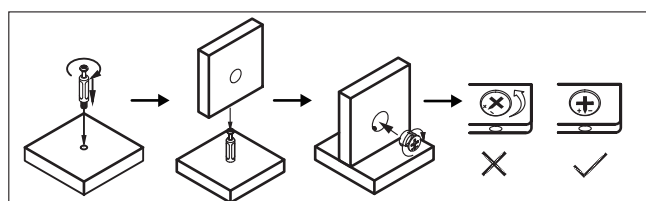
Step-3

| | | | | | |
|----------|---|----|----------|---|----|
| 1 |  | x6 | 8 |  | x6 |
|----------|---|----|----------|---|----|

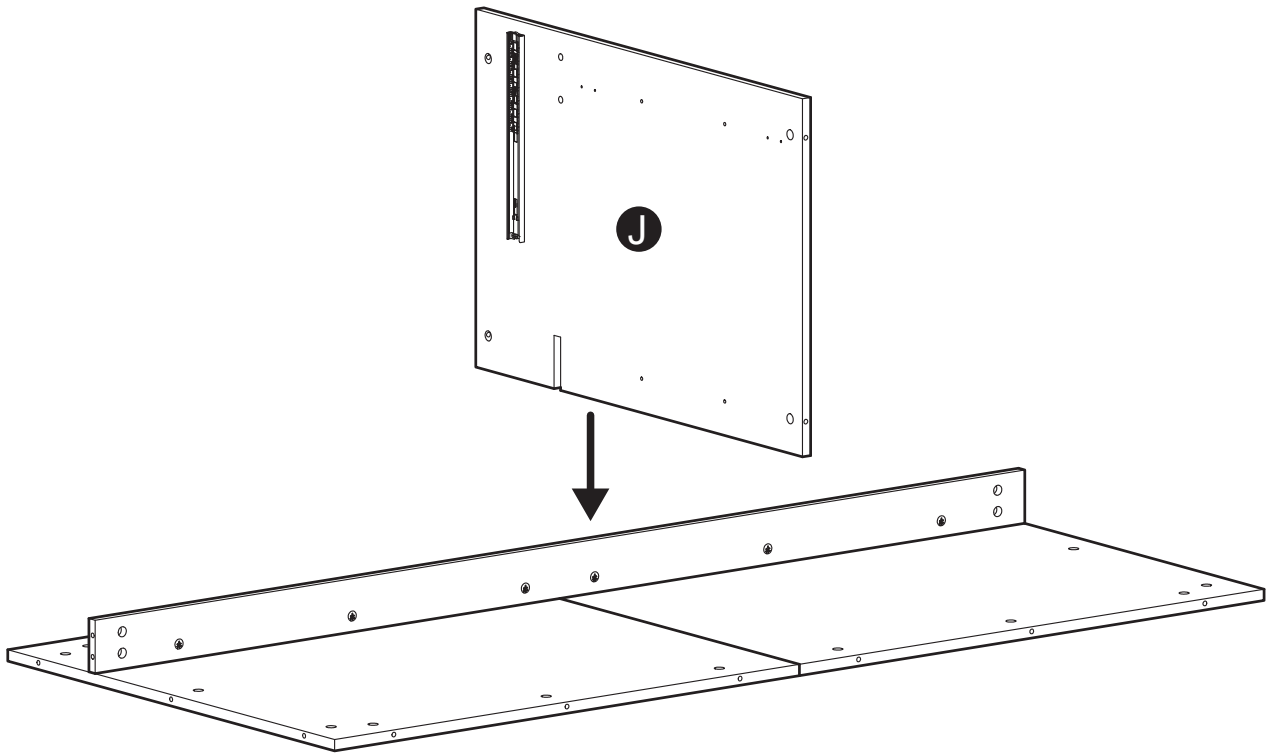


Step-4

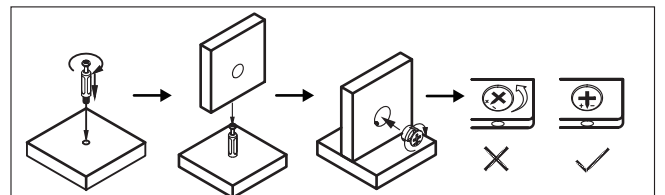
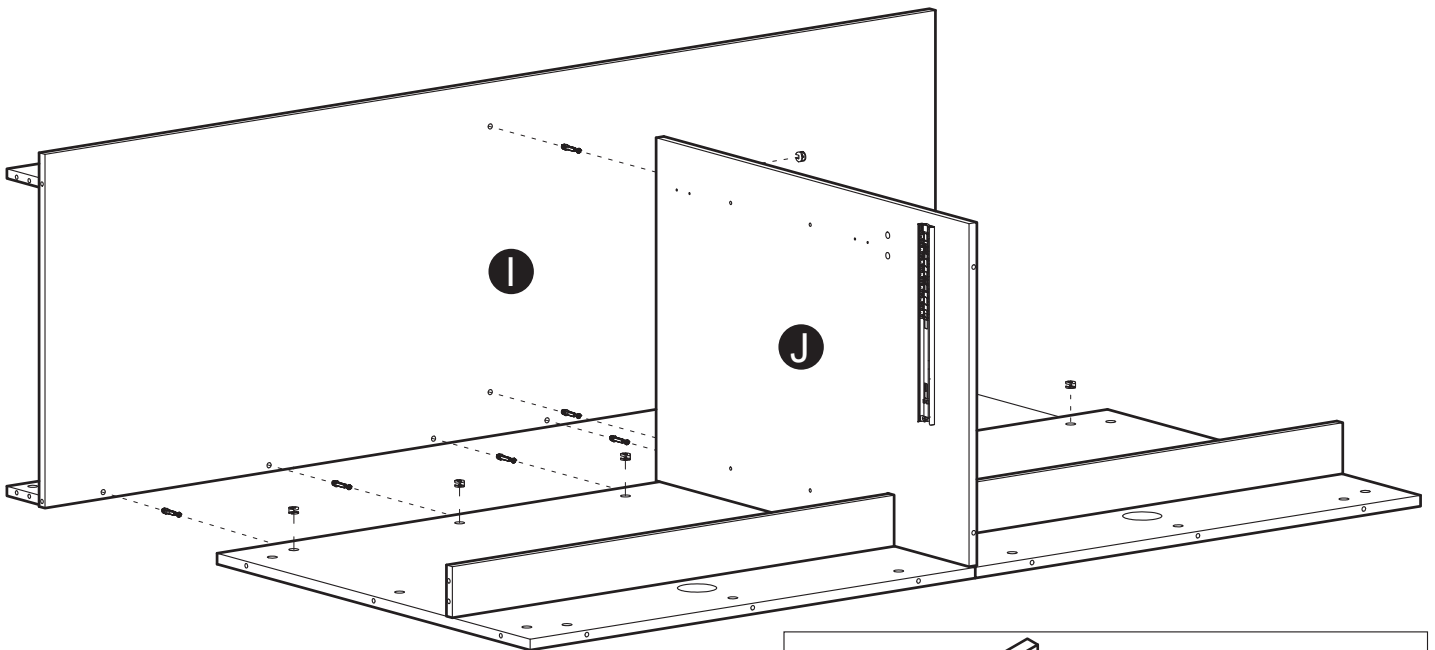
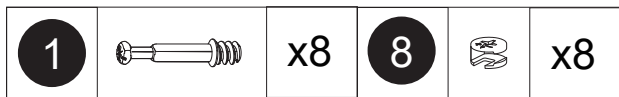
| | | | | | |
|----------|---|----|-----------|---|----|
| 7 |  | x4 | 14 |  | x2 |
|----------|---|----|-----------|---|----|




Step-5

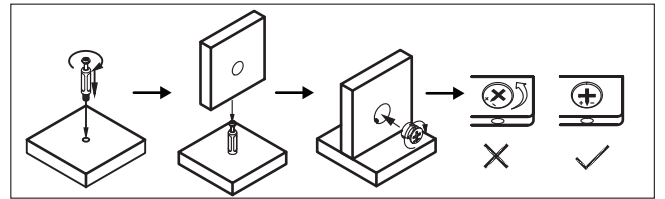
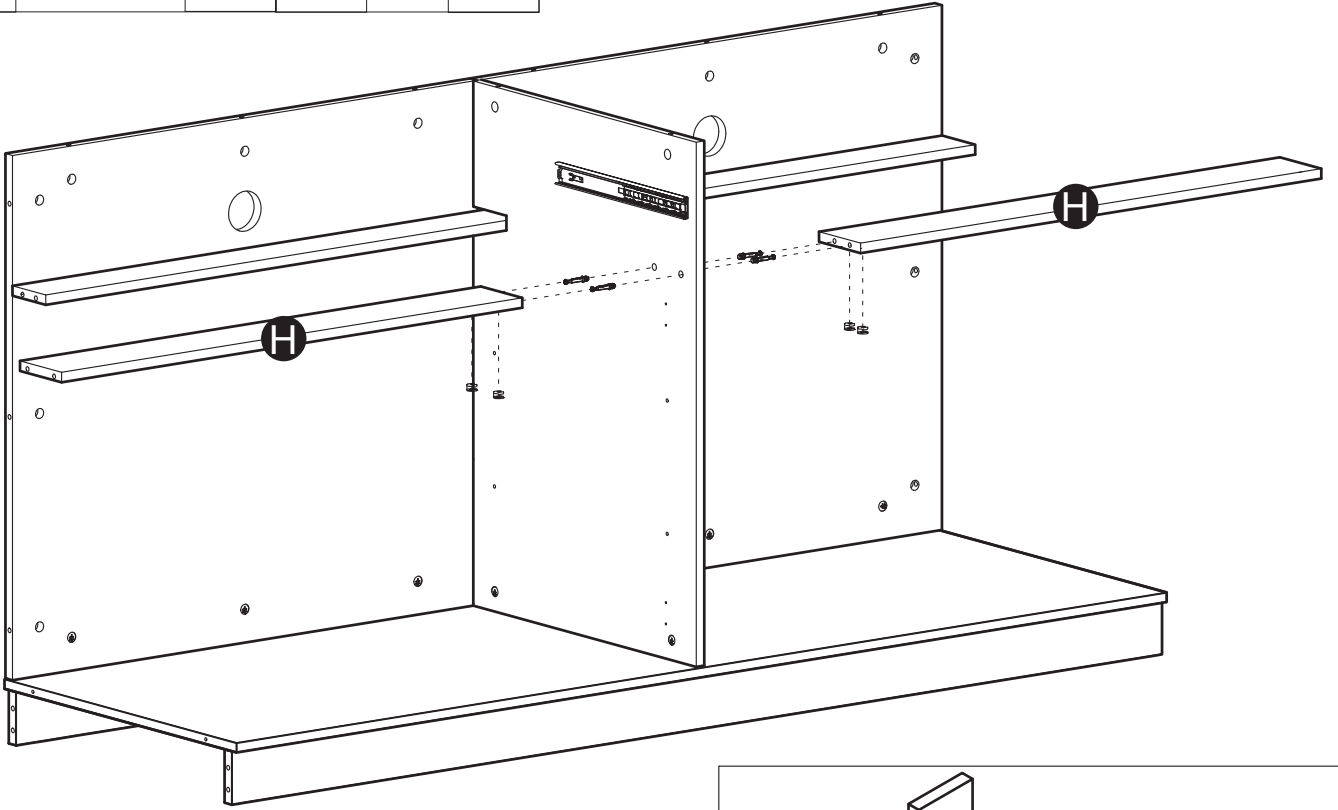


Step-6



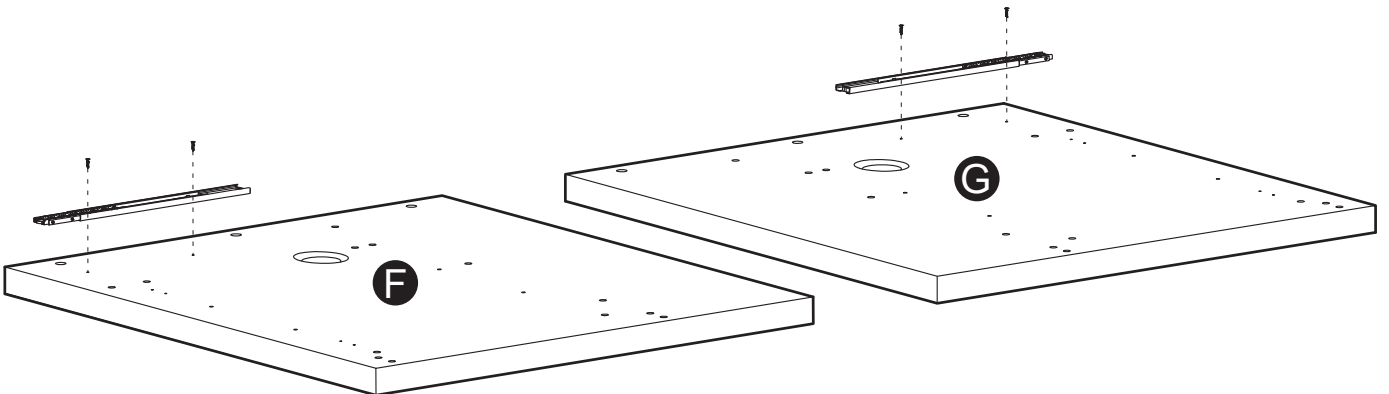
Step-7

| | | | | | |
|----------|---|----|----------|---|----|
| 1 |  | x4 | 8 |  | x4 |
|----------|---|----|----------|---|----|

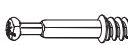


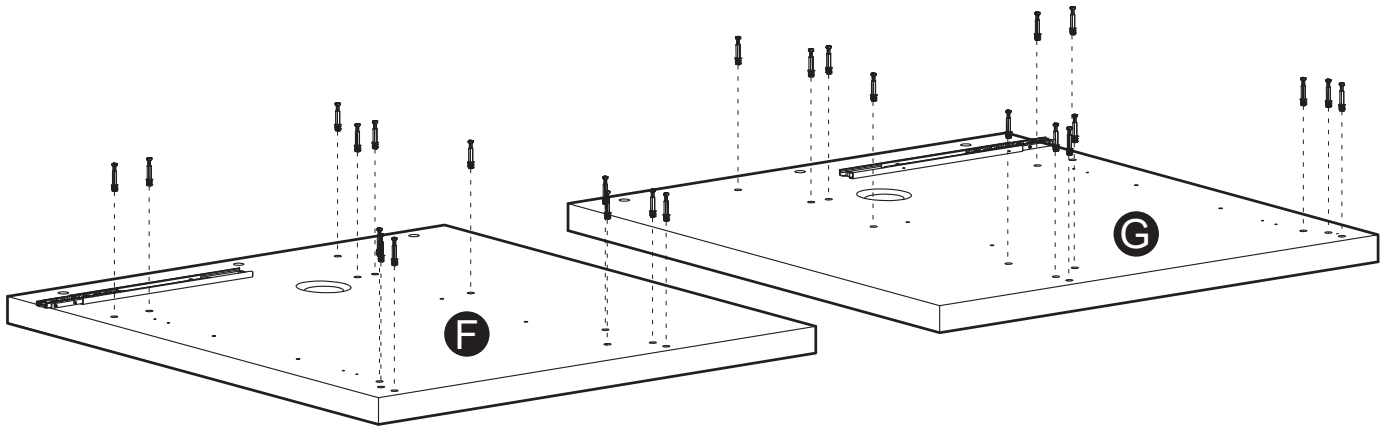
Step-8

| | | | | | |
|----------|---|----|-----------|---|----|
| 7 |  | x4 | 14 |  | x2 |
|----------|---|----|-----------|---|----|




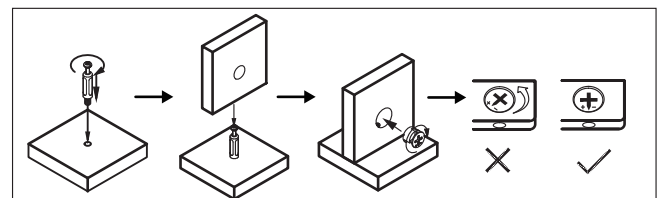
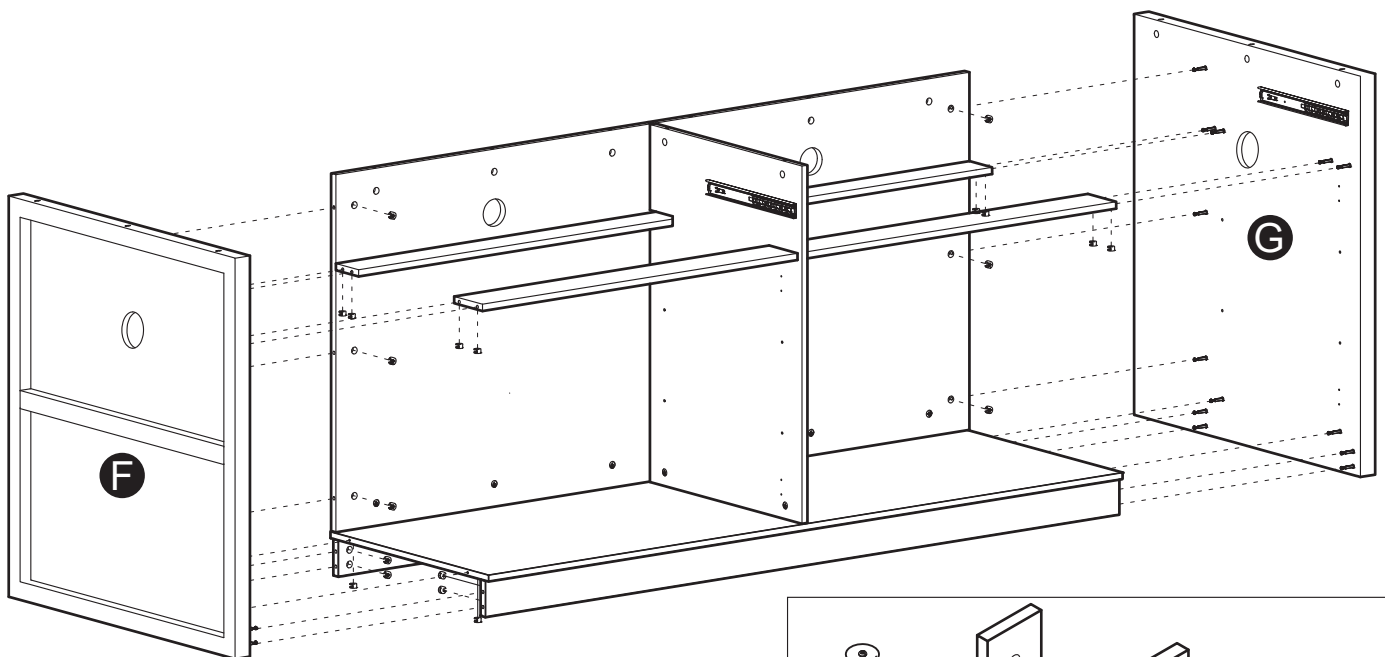
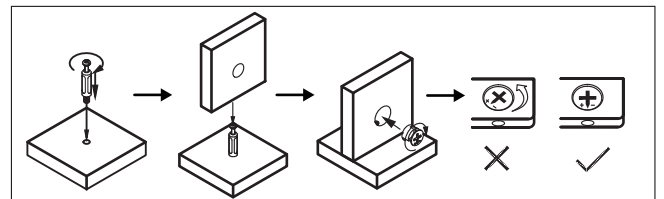
Step-9

| | | |
|----------|---|-----|
| 1 |  | x26 |
|----------|---|-----|

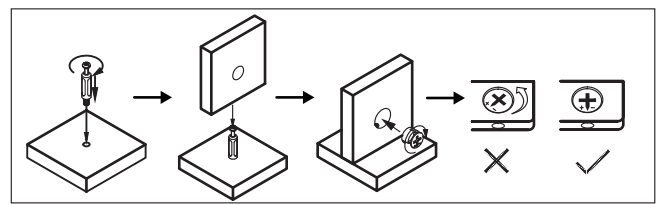
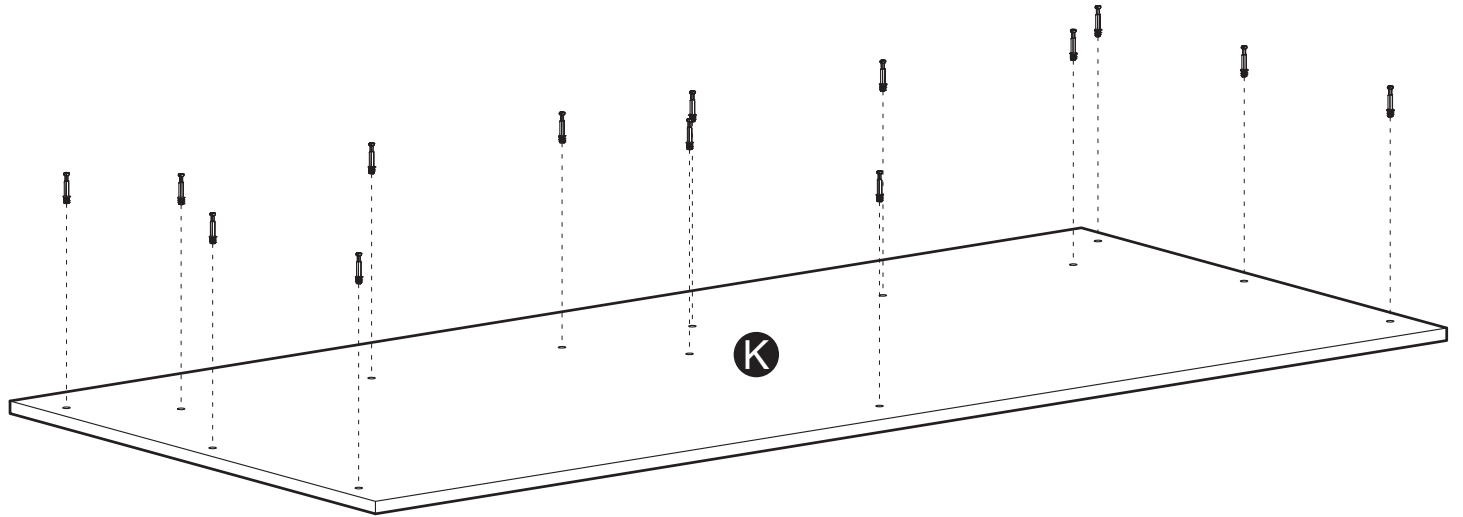
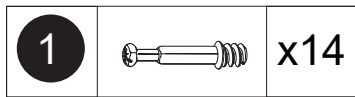


Step-10

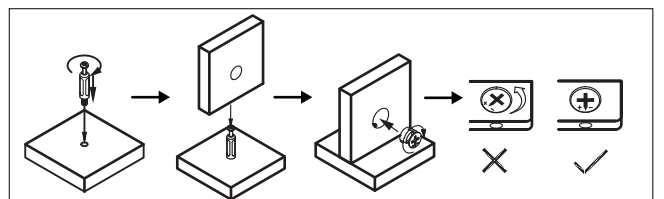
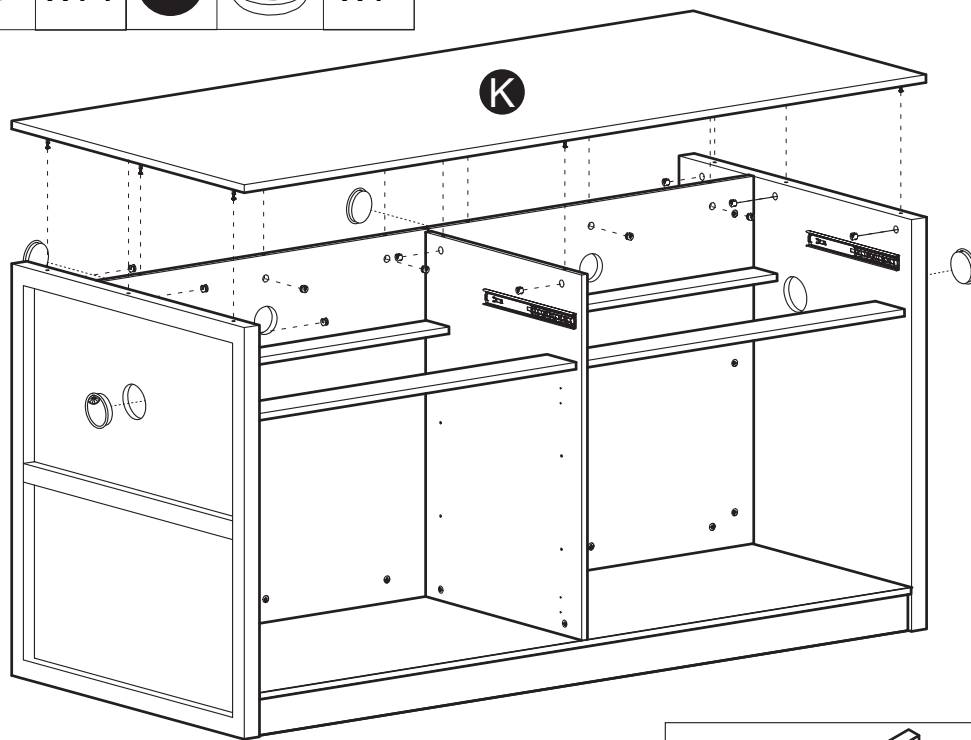
| | | |
|----------|---|-----|
| 8 |  | x26 |
|----------|---|-----|



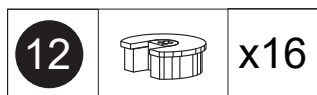
Step-11



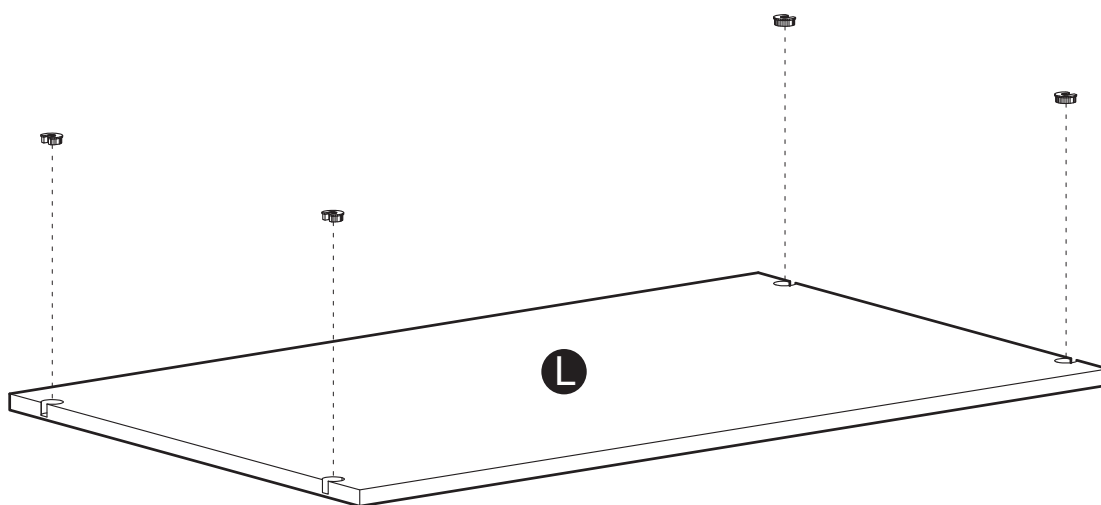
Step-12



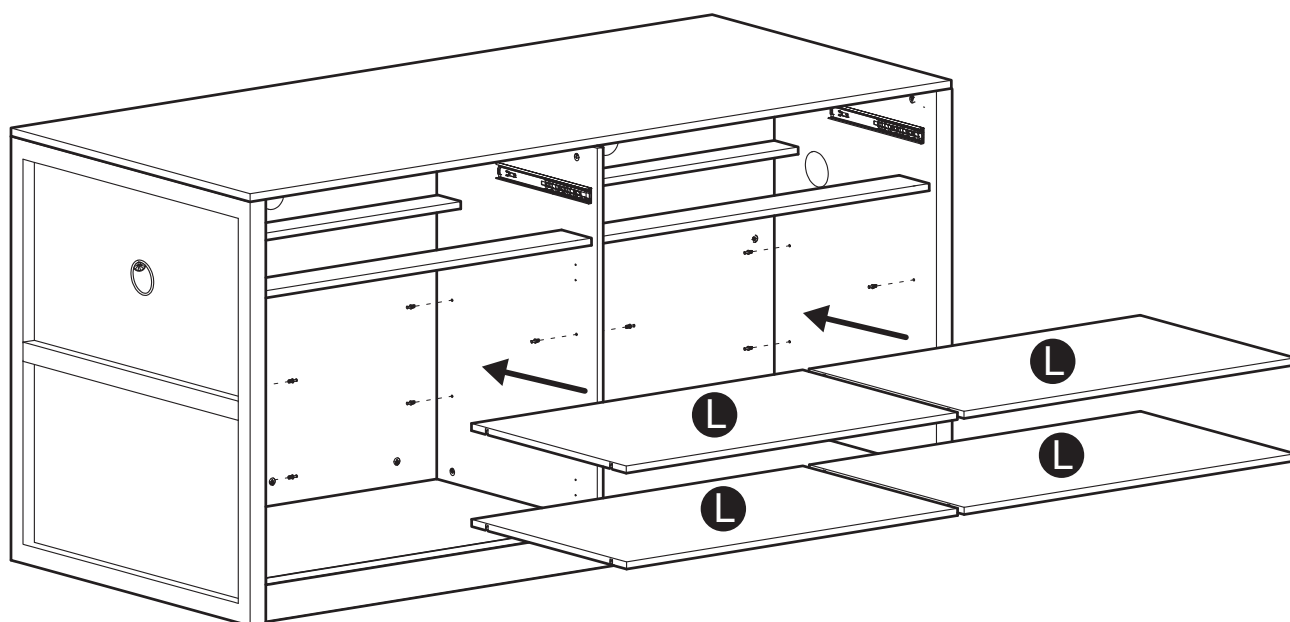
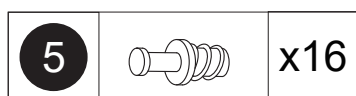
Step-13



x 4



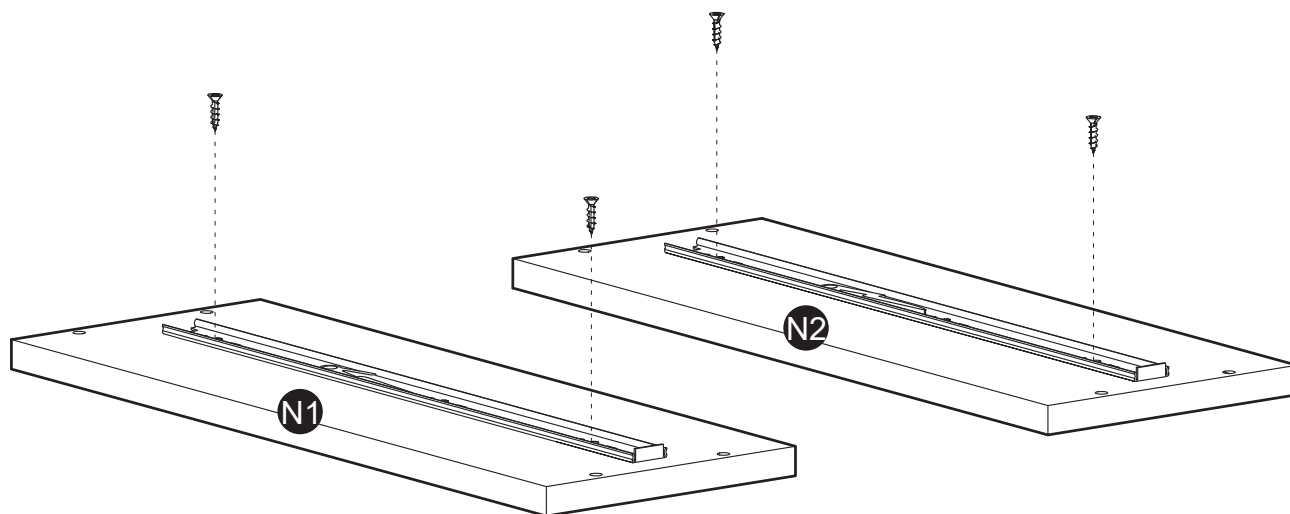
Step-14



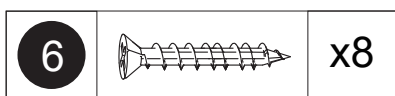
Step-15



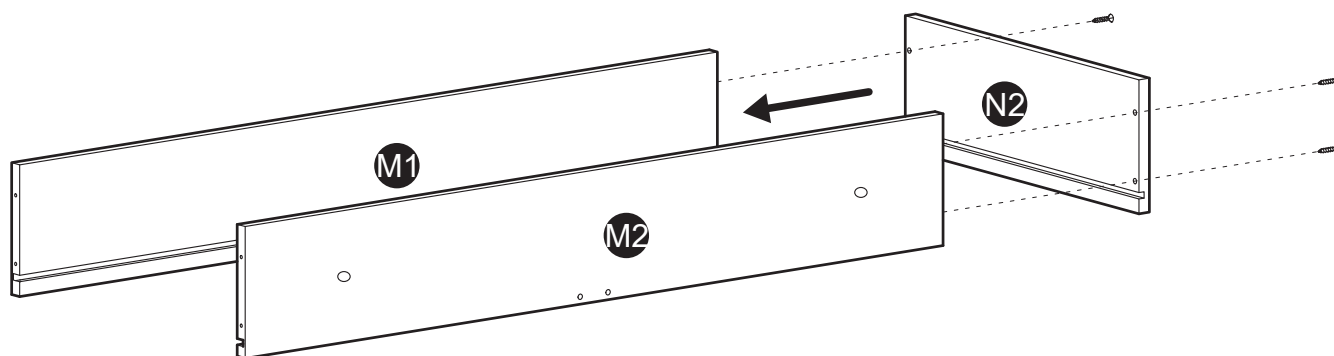
x 2



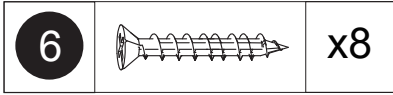
Step-16



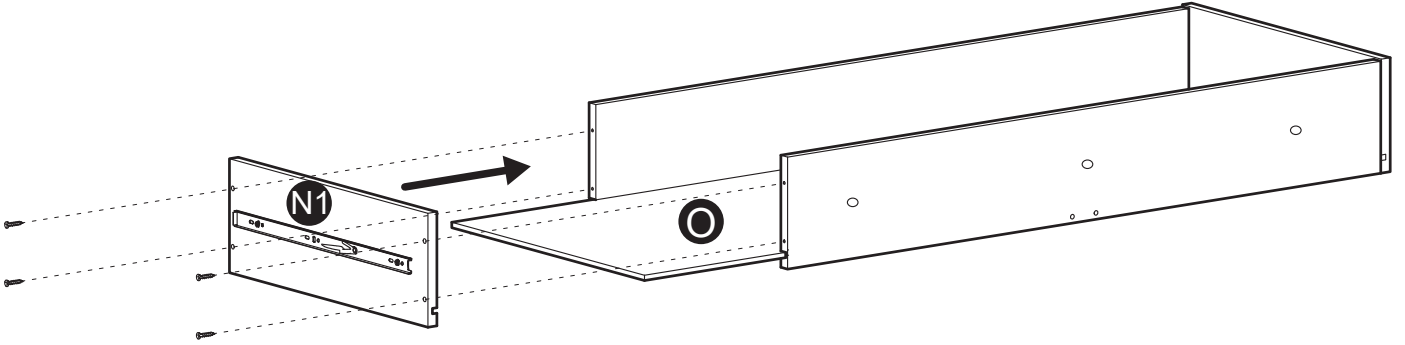
x 2



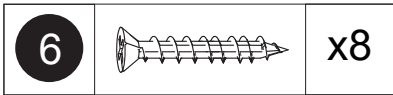
Step-17



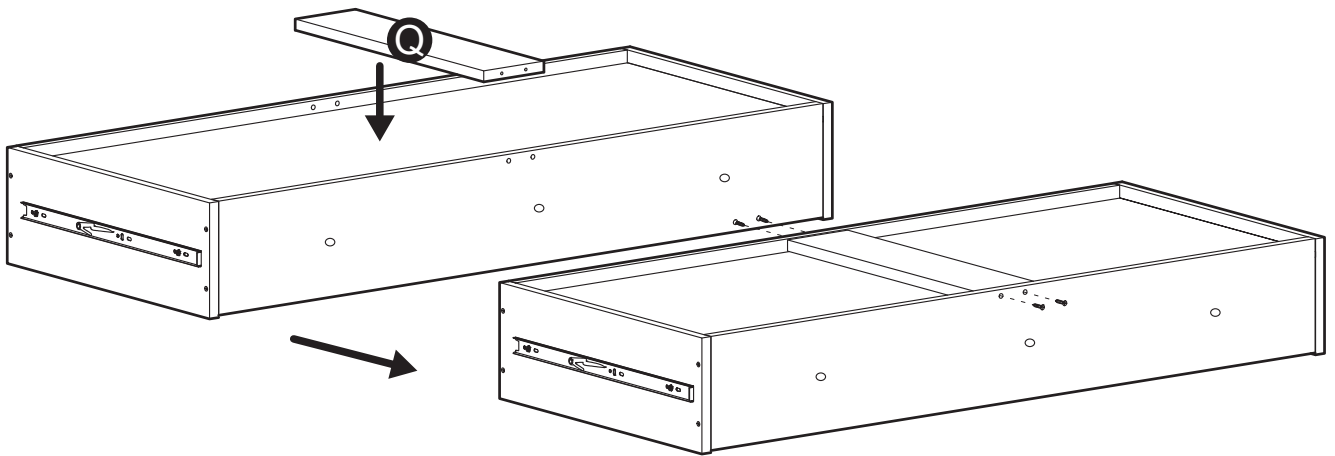
x 2



Step-18



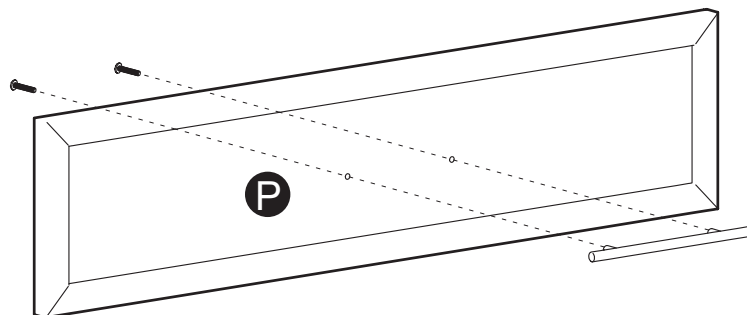
x 2



Step-19



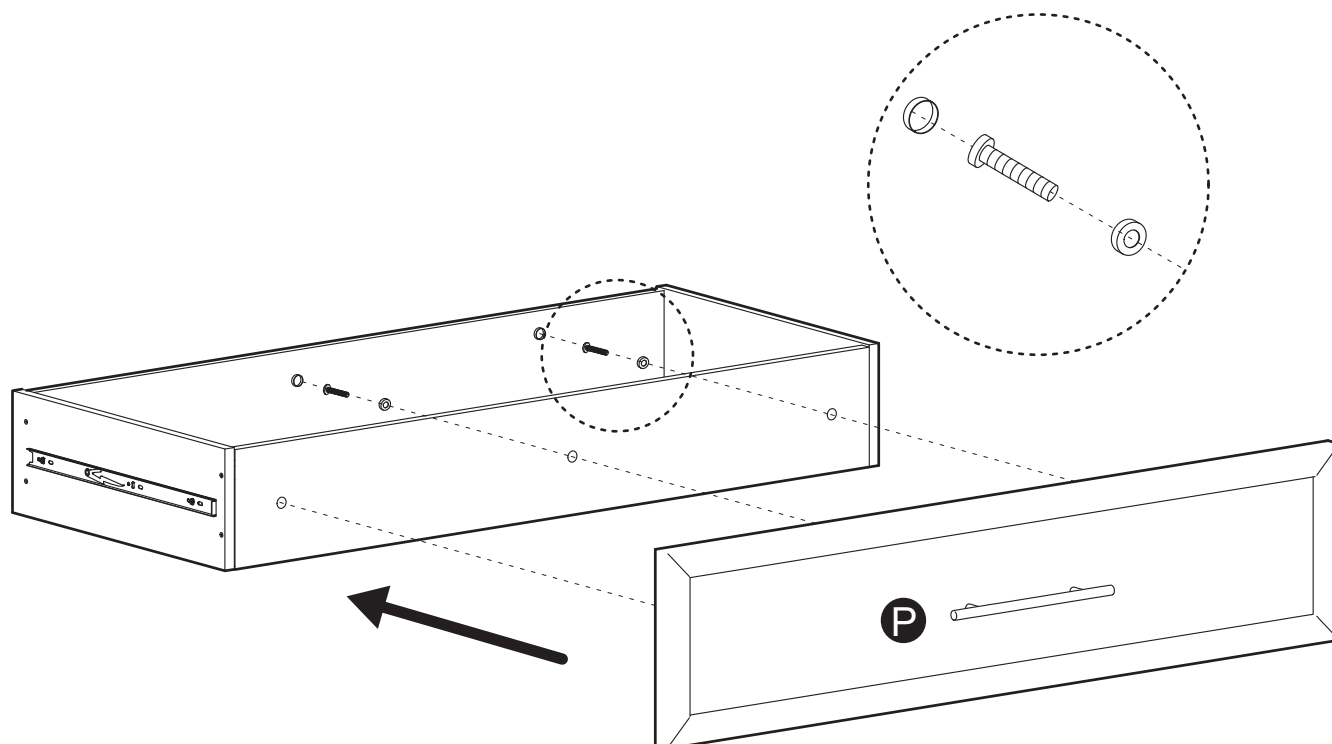
x 2



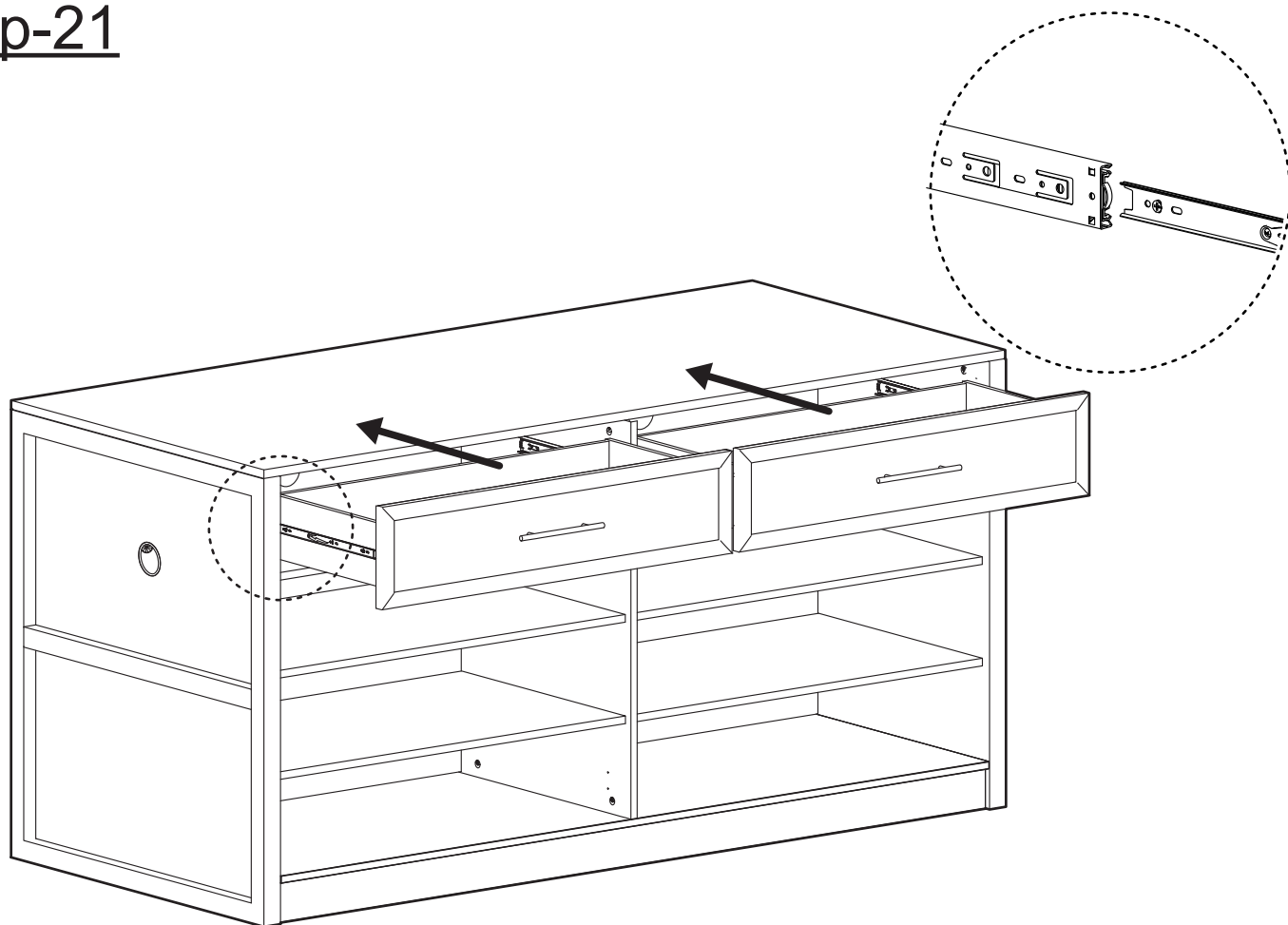
Step-20



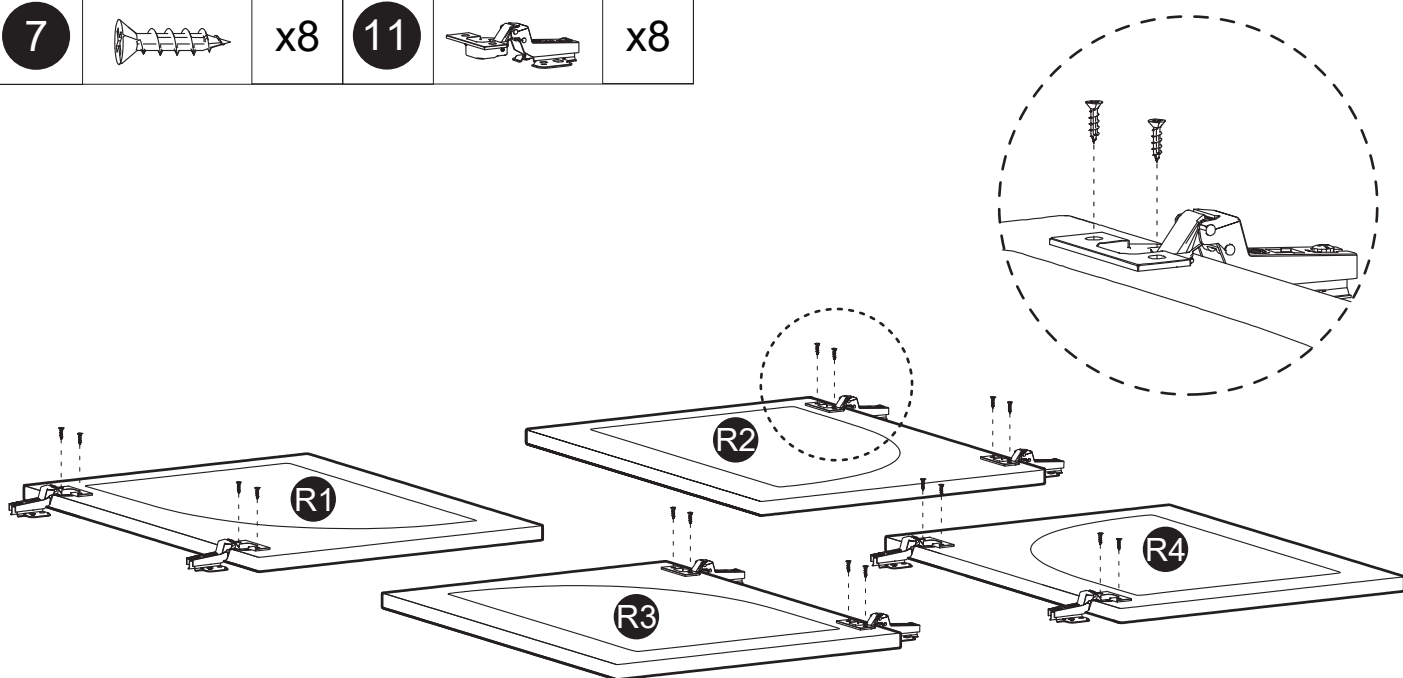
x 2



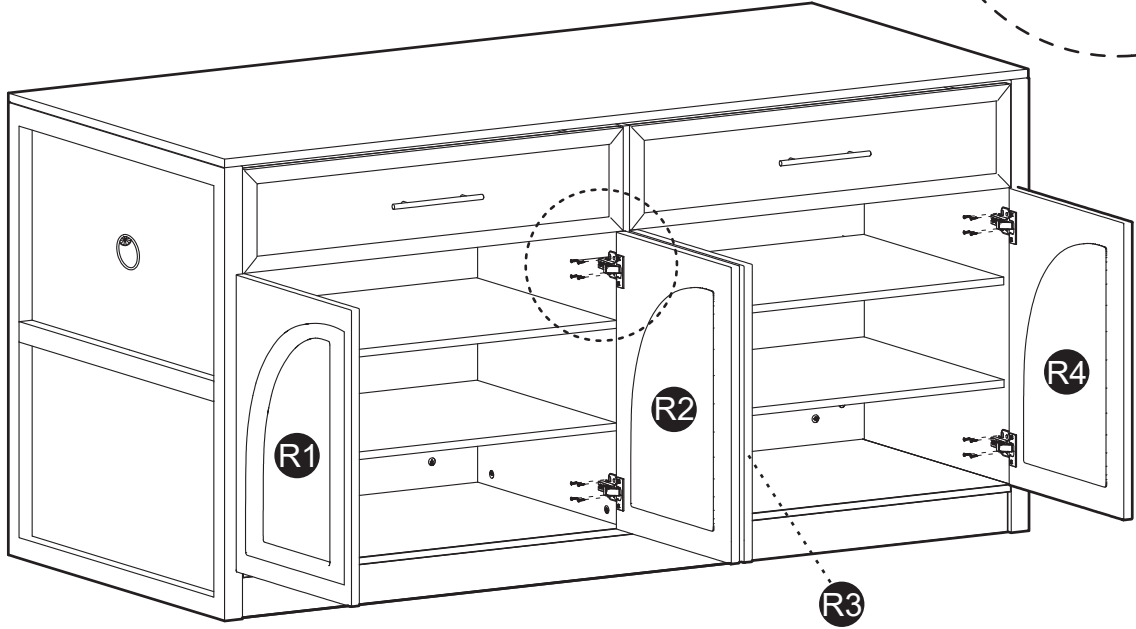
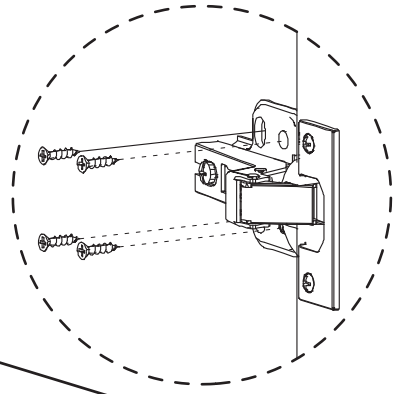
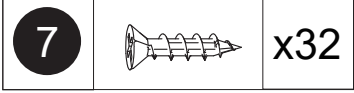
Step-21



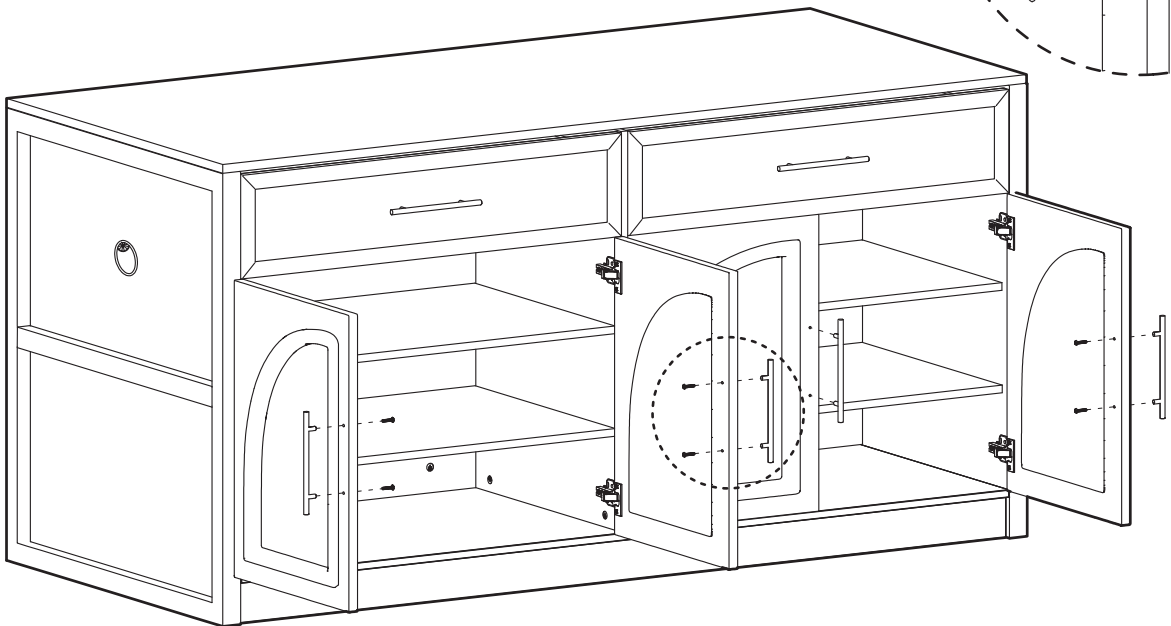
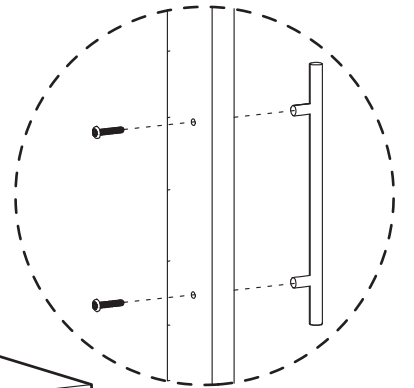
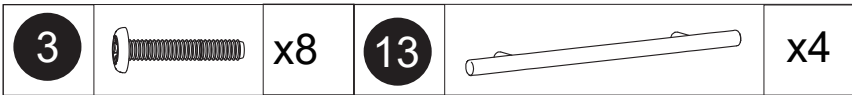
Step-22



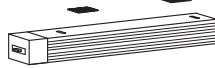
Step-23

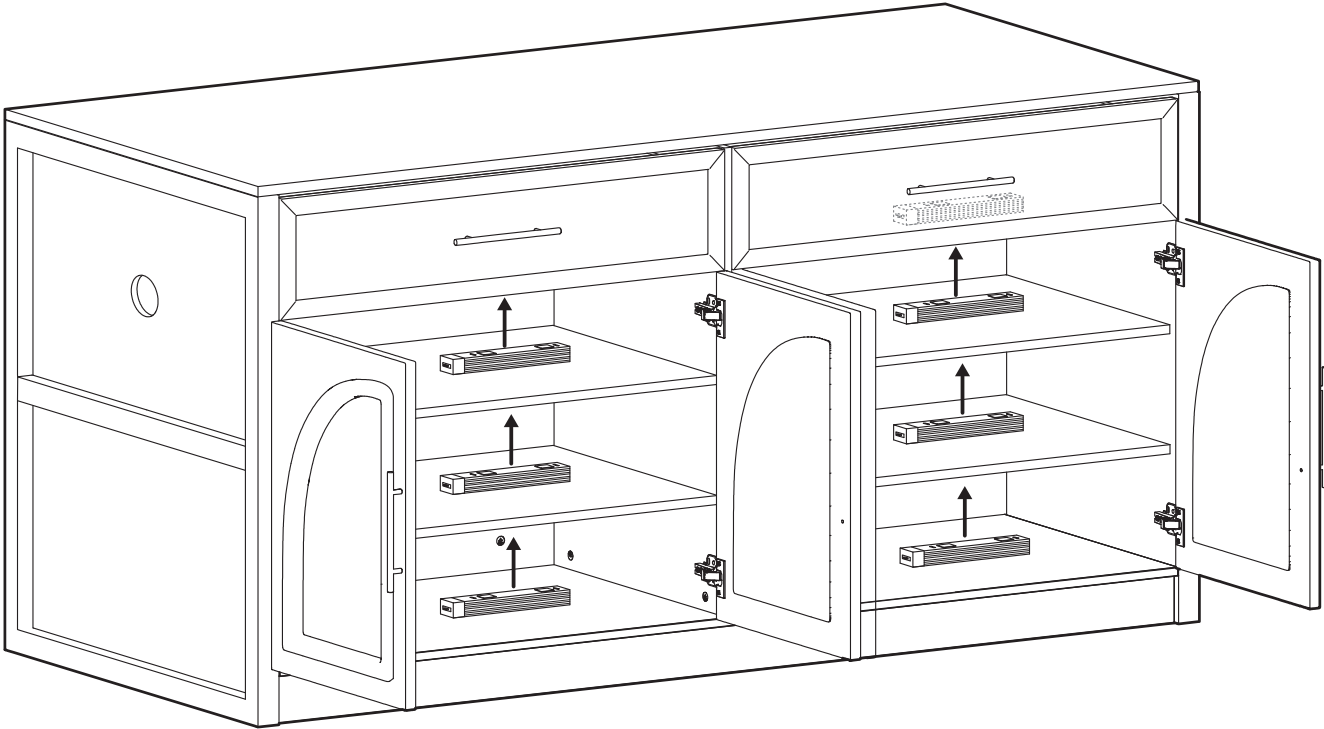
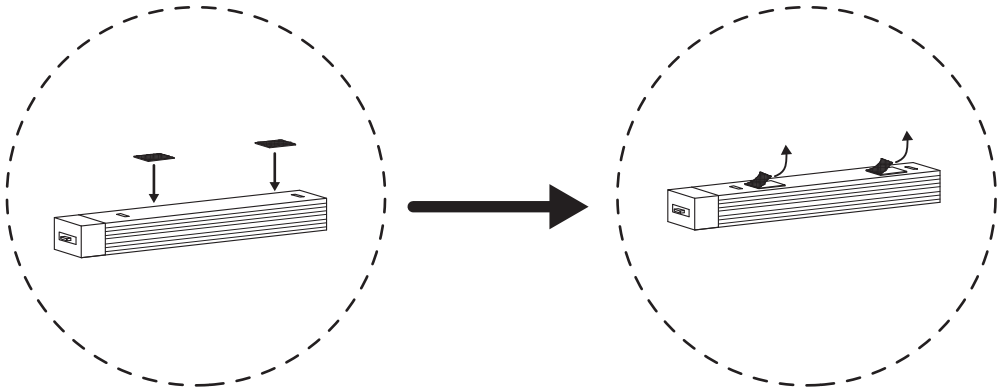


Step-24



Step-25

| | | |
|----|---|----|
| 16 |  | x6 |
|----|---|----|



General Guidelines

- Please read the following instructions carefully and use the product accordingly.
- Please keep this manual and hand it over when you transfer the product.
- Product is intended for indoor use only. It must be assembled and used according to the instructions. The seller does not accept any responsibility for damage or injury resulting from improper assembly or use.
- This summary may not include every detail of all variations and considered steps.
- Please contact us when further information and help are needed.

Use and Maintenance

- Keep the furniture vacant for half a month before use, and maintain good indoor ventilation to eliminate the residual odor in furniture surface coating.
- Place the objects smoothly, Heavier objects should be placed at the bottom (layer) of the furniture to avoid the furniture from tipping over. Heavy objects should not be placed on the top of the wardrobe, so as not to cause the top plate to deform and sag and affect the opening of the cabinet door, high-temperature or frozen objects should be padded with high-temperature-resistant mats and placed on the furniture. Heavier or harder objects should be placed on the furniture table with a soft decorative tablecloth or a felt for protection.
- Do not push hard objects directly on the furniture to avoid scratching the surface of the furniture.
- Do not expose the furniture to sunlight for a long time or place the furniture close to the heating equipment, which causes localized discoloration and fading.
- Please avoid long-term exposure to humid environment to prevent mildew.
- Place the furniture stably to avoid breaking the furniture feet or loosening the connection parts due to inclination.
- Do not let items that are flammable and oxidizing touch the surface of the furniture which may cause chemical reactions and damage to the furniture finishing.
- Teach children not to play close to the glass sharp angles of furniture avoid accidental physical injury and damage to the furniture.
- Open the doors and drawers of the furniture with appropriate force, and it is strictly forbidden to open and close them violently, which will cause loose connections.
- Screws may become loose during long-term use. If necessary, retighten them to ensure stability and security.

Warning

English

- Children are not allowed to assemble the product. During assembly, keep any small part out of reach of children as they may be fatal if swallowed or inhaled.
- Children are not allowed to stand, climb or play on the product to avoid serious bodily injury by the toppling.
- Keep plastic packing bags out of reach of children to avoid any potential danger, such as suffocation.
- Avoid sharp objects and corrosive chemicals to prevent damage to the product or bodily injury.

Francés

- Les enfants ne doivent pas assembler ce produit. Lors de l'assemblage, maintenez toutes les petites pièces hors de portée des enfants, car elles présentent un risque mortel si elles sont avalées ou aspirées.
- Les enfants ne doivent ni se tenir debout, ni grimper, ni jouer sur le produit afin d'éviter tout risque de blessures graves causées par un basculement.
- Conservez les sacs d'emballage en plastique hors de portée des enfants afin d'éviter tout danger potentiel, notamment le risque d'étouffement.
- Évitez tout contact avec des objets tranchants ou des produits chimiques corrosifs afin de prévenir tout dommage au produit ou toute blessure corporelle.

Deutsch

- Kinder dürfen das Produkt nicht zusammenbauen. Halten Sie während des Zusammenbaus alle Kleinteile außerhalb der Reichweite von Kindern, da diese bei Verschlucken oder Einatmen tödlich sein können.
- Kinder dürfen nicht auf dem Produkt stehen, klettern oder spielen, um schwere Körperverletzungen durch Umkippen zu vermeiden.
- Bewahren Sie Plastikverpackungsbeutel außerhalb der Reichweite von Kindern auf, um mögliche Gefahren wie Erstickung zu vermeiden.
- Vermeiden Sie scharfe Gegenstände und ätzende Chemikalien, um Schäden am Produkt oder Verletzungen zu vermeiden.

Español

- No permita que los niños ensamblen el producto. Durante el montaje, mantenga las piezas pequeñas fuera de su alcance, ya que pueden ser mortales si se ingieren o inhalan.
- No permita que los niños se suban, trepen o jueguen sobre el producto para evitar lesiones corporales graves en caso de vuelco del producto.
- Mantenga las bolsas de plástico del embalaje fuera del alcance de los niños para evitar peligros, como la asfixia.
- Evite el contacto con objetos afilados y sustancias químicas corrosivas para prevenir daños en el producto o lesiones corporales.