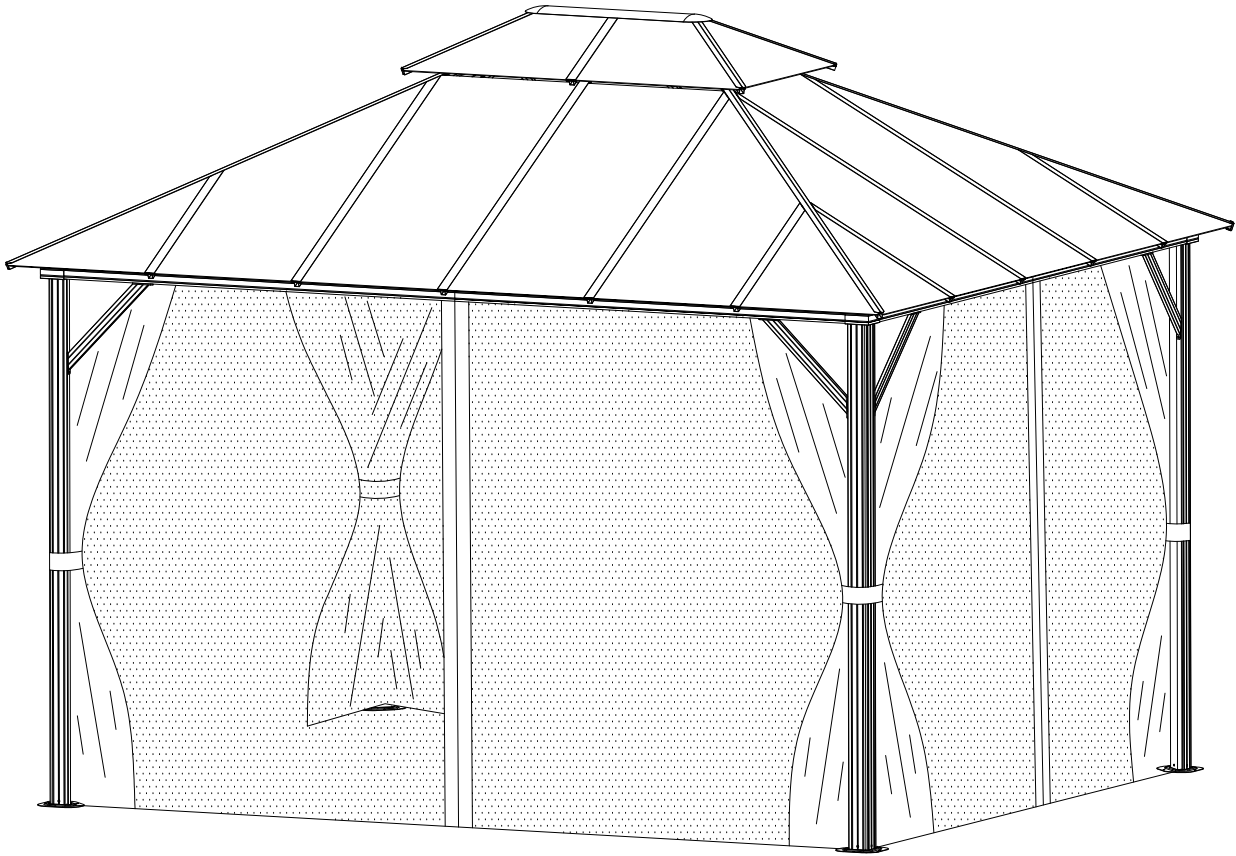


10'X12'ALUM GAZEBO
TWIN LAYER ALUM ROOF/DOUBLE ROOF

XWG-138



The gazebo comes with 2 boxes.Sometimes they may be delivered on the different day,please wait 2-3 more days or contact us for help.

Any questions on assembly or parts,
please contact:customer01service@hotmail.com

Safety Information



WARNING: Keep all flame and heat sources away from this tent fabric. This tent is made with fabric that meets CPAI-84 specification for flame resistance. It is not fire proof. The fabric will burn if left in continuous contact with any flame source. The application of any foreign substance to the tent fabric may render the flame-resistance properties ineffective.



WARNING: When assembling and using this product, basic safety precautions must always be followed to reduce the risk of personal injury and damage to product or surroundings.



WARNING: This gazebo is NOT a permanent structure and is designed for sunshade and privacy only. The gazebo should only be used in ideal weather conditions. You MUST completely disassemble the gazebo prior to any extreme weather such as heavy thunder storms, hurricanes and/or ice/hail storms. Failure to do so may result in structural or property damage.



CAUTION: Always install the gazebo on level ground utilizing the ground stakes provided for stability. It is not recommended to permanently anchor this gazebo to a hard surface such as a wood deck or concrete floor.



CAUTION: Gazebo roof is weather resistant but may leak during precipitation. It is recommended to remove the roof boards if expecting ice or hail storms.



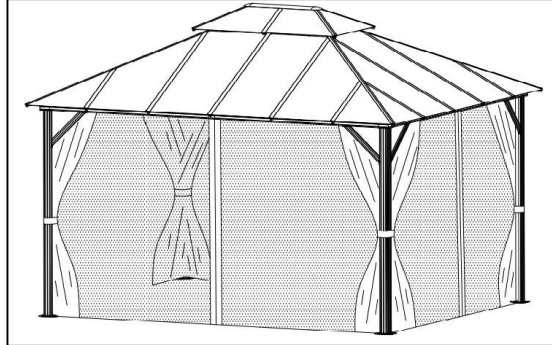
CAUTION: Keep all children and pets away from assembly area. Begin assembly not less than 6 feet from any obstruction such as fence, garage, house, overhanging branches, clothes line or electrical wires. Some parts may contain sharp edges, wear protective gloves if necessary.

Care Instructions





















Before using, wipe with a clean, dry cloth. Do not use bleach or solvents. Treat the frame with liquid wax for maximum protection against UV light and salty, damp air. Clean the roof panels periodically with a mild soap and water. Do not use harsh chemical cleaners as this will damage the panel finish. Please properly tighten all hardware and perform periodic inspections during usage for cracked welds or loose nuts or bolts.






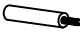

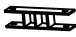






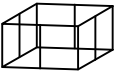



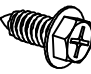


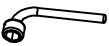
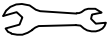

ATTENTION:

1. Please fix all the screws first, do not lock off, after assembling is fully completed, lock all at once finally.
2. Please check the manual carefully and make sure you have received all the parts.
3. If there is any missing, please let us know the letter of the parts you need.
4. If there is any damage, please send clear photos to us, we will check and offer you best solution soon.

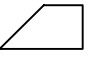
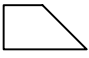




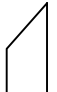



Part List (BOX A)

A  Post 4PCS	B1  Crossbar 2PCS	B2  Crossbar 2PCS	B3  Crossbar 2PCS	B4  Crossbar 2PCS
C  Brace 8PCS	D1  Corner Roof Tube 4PCS	D2  Roof Tube 2PCS	E1  Roof Tube 4PCS	E2  Roof Tube 4PCS
E3  Roof Tube 4PCS	E4  Roof Tube 4PCS	F  Roof Tube 4PCS	G  Roof Tube 2PCS	H  Small Support Crossbar 20PCS
I1  Roof Edge 2PCS	I2  Roof Edge 4PCS	I3  Roof Edge 22PCS	J  Base Flange 4PCS	K  Connector 4PCS

L	M	N	O	P
				
U-shaped piece 18PCS	Corner moulding 4PCS	Central connector 2PCS	Five-hole sheet 8PCS	Roof cap 1PC
Q	R	S	T	U
				
Roof spacer bracket 2PCS	Lamp hook 2PCS	Louver bracket 6PCS	Three-hole sheet 12PCS	Corner sealing sheet 8PCS
V	W	X	Y	Z
				
Flat sealing sheet 20PCS	Couple 88PCS	Hook stopper 8PCS	Curtain 1PC	Mosquito net 1PC
#1	#2	#3	#4	#5
				
M6x15 Bolt 122PCS	M6x30 Bolt+Nut 34PCS	M4x10 Self Tapping Screw 8PCS	M6x20 Bolt+Nut 28PCS	M6 Nut 12PCS
#6	#7	#8	#9	
				
Stake 4PCS	Wrench 1PC	Wrench 1PC	Screwdriver 1PC	

Part List (BOX B)

AA	BB	CC	DD	EE
				
Roof Panel 2PCS	Roof Panel 2PCS	Roof Panel 2PCS	Roof Panel 4PCS	Roof Panel 4PCS
FF	GG	HH		
				
Roof Panel 6PCS	Roof Panel 4PCS	Roof Panel 4PCS		

Assembly Step

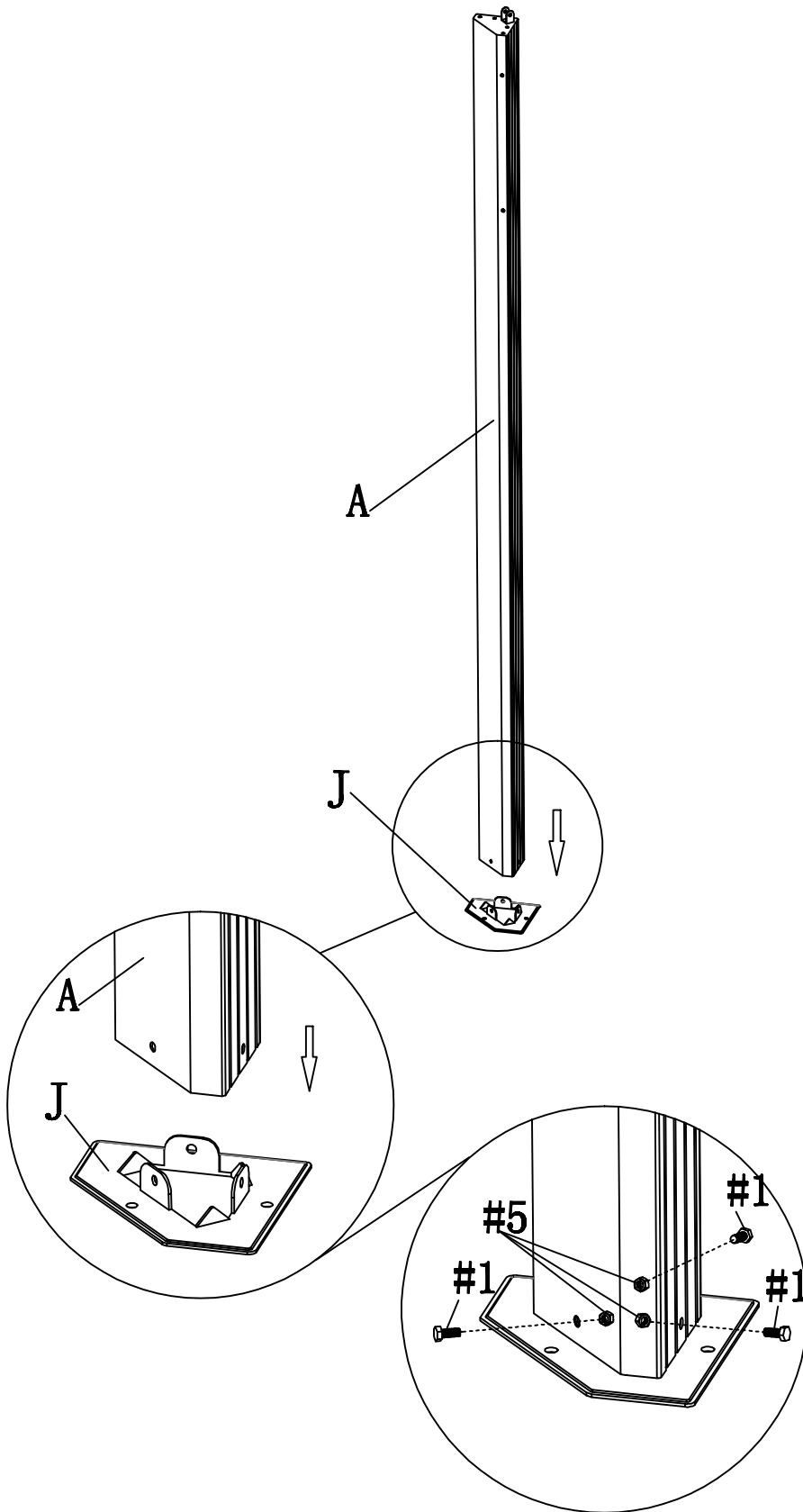
STEP 1

A*4

J*4

#1*12

#5*12

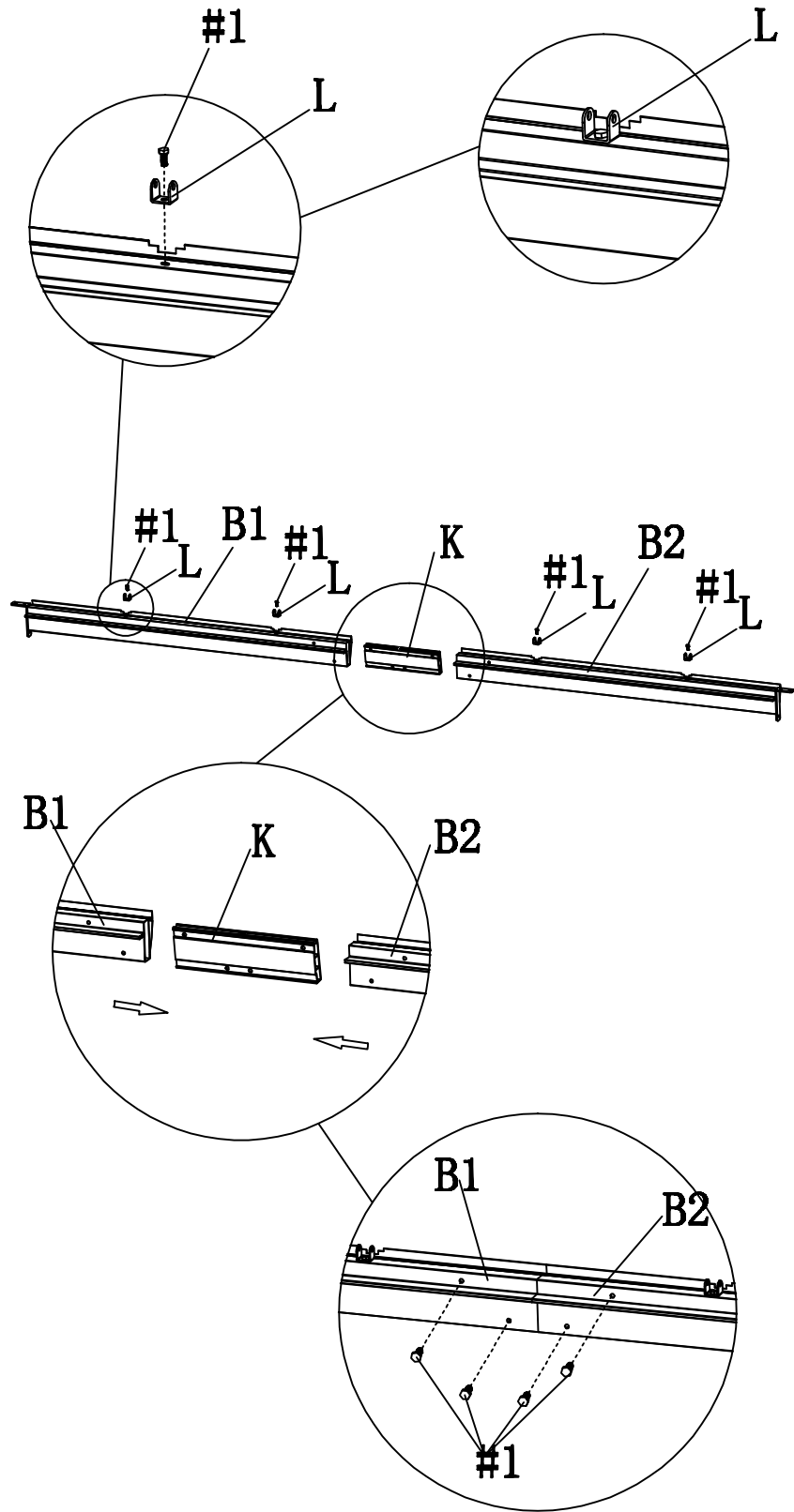


Install a base flange (J) to the bottom of a post (A) using bolts (#1) and nuts (#5).
Repeat the step for all other A posts.

Assembly Step

STEP 2

- B1*2
- B2*2
- K*2
- L*8
- #1*16

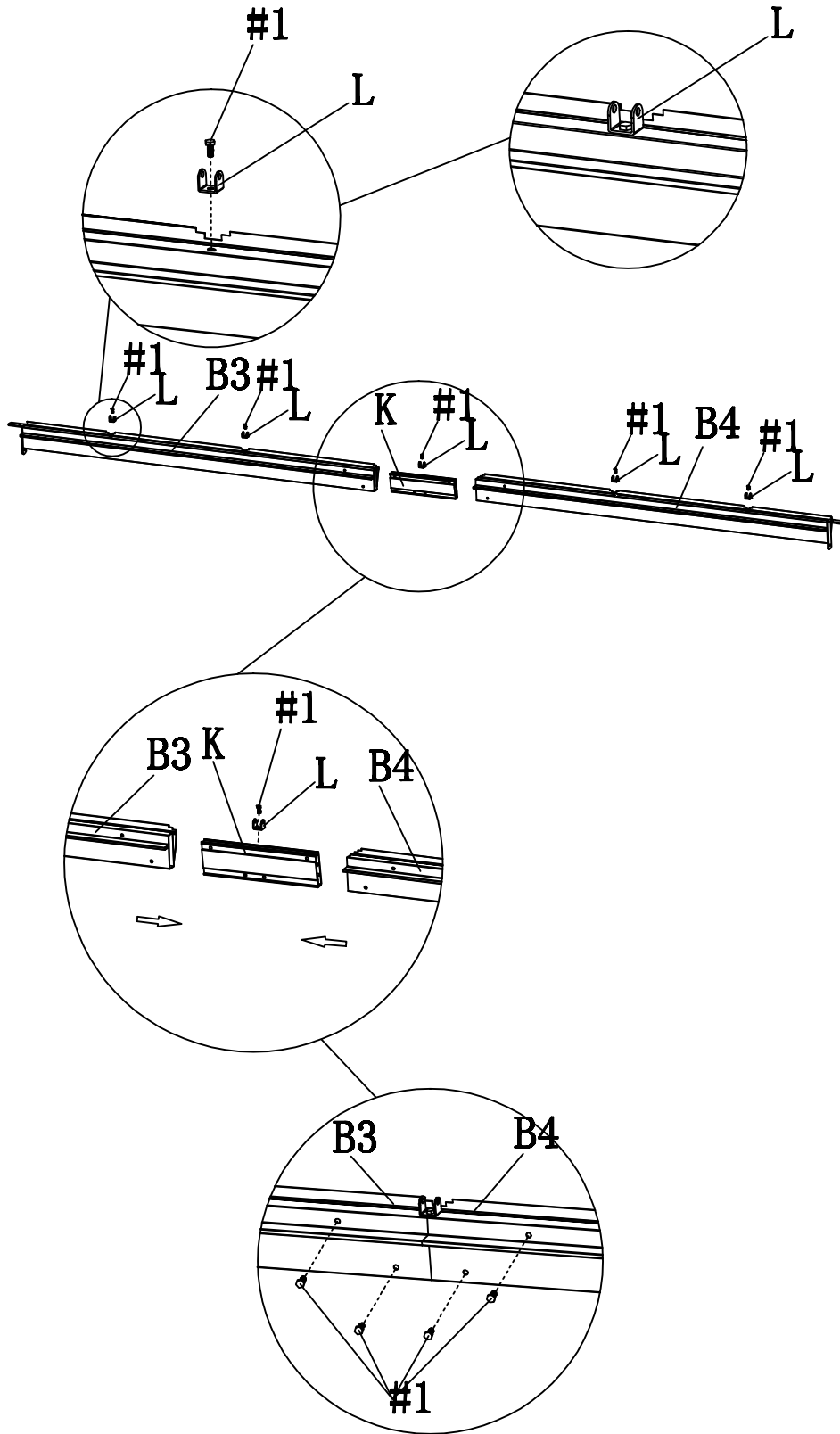


Join crossbars(B1) and (B2) by using connector(K) and bolts(#1).

Assembly Step

STEP 3

B3*2
B4*2
K*2
L*10
#1*18



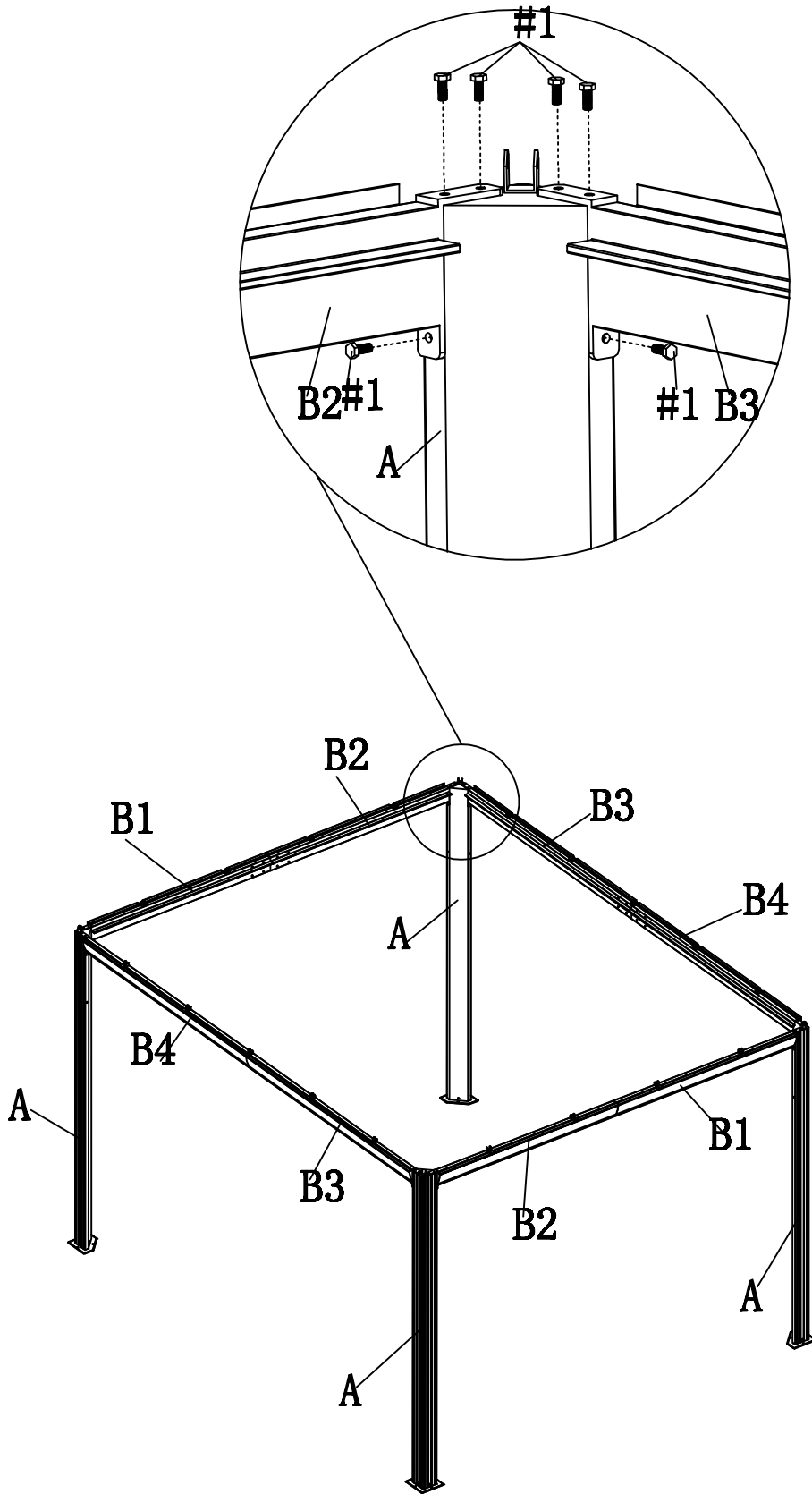
Join crossbars(B3) and (B4) by the use of connector(K) and bolts(#1).

Take care to fix at middle point a bracket(L) using a bolt(#1).

Assembly Step

STEP 4

#1*24



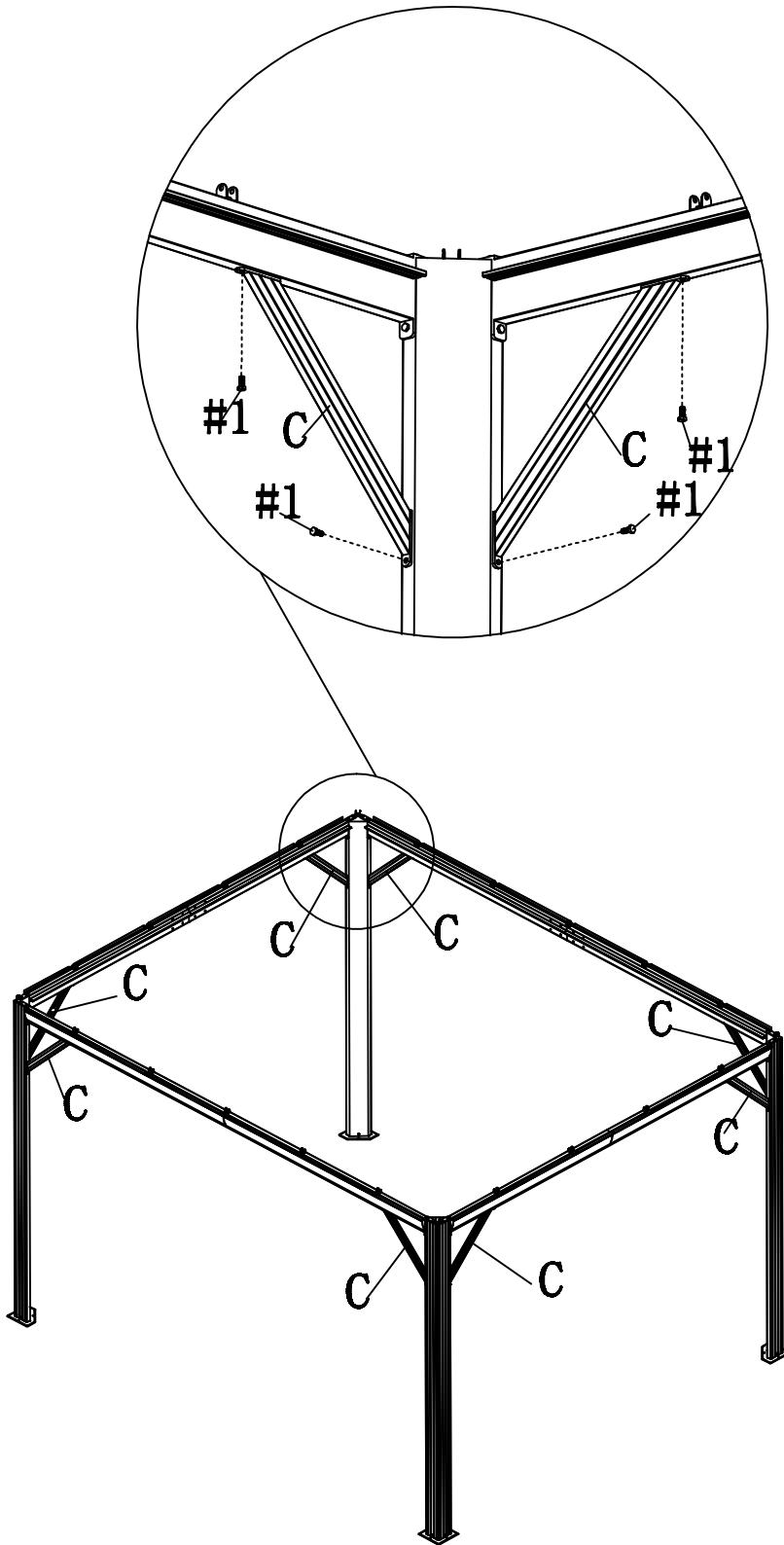
As shown, fix the crossbars assembly (B1)/(B2) and (B3)/(B4) to posts (A) by using bolts (#1).

Assembly Step

STEP 5

C*8

#1*16



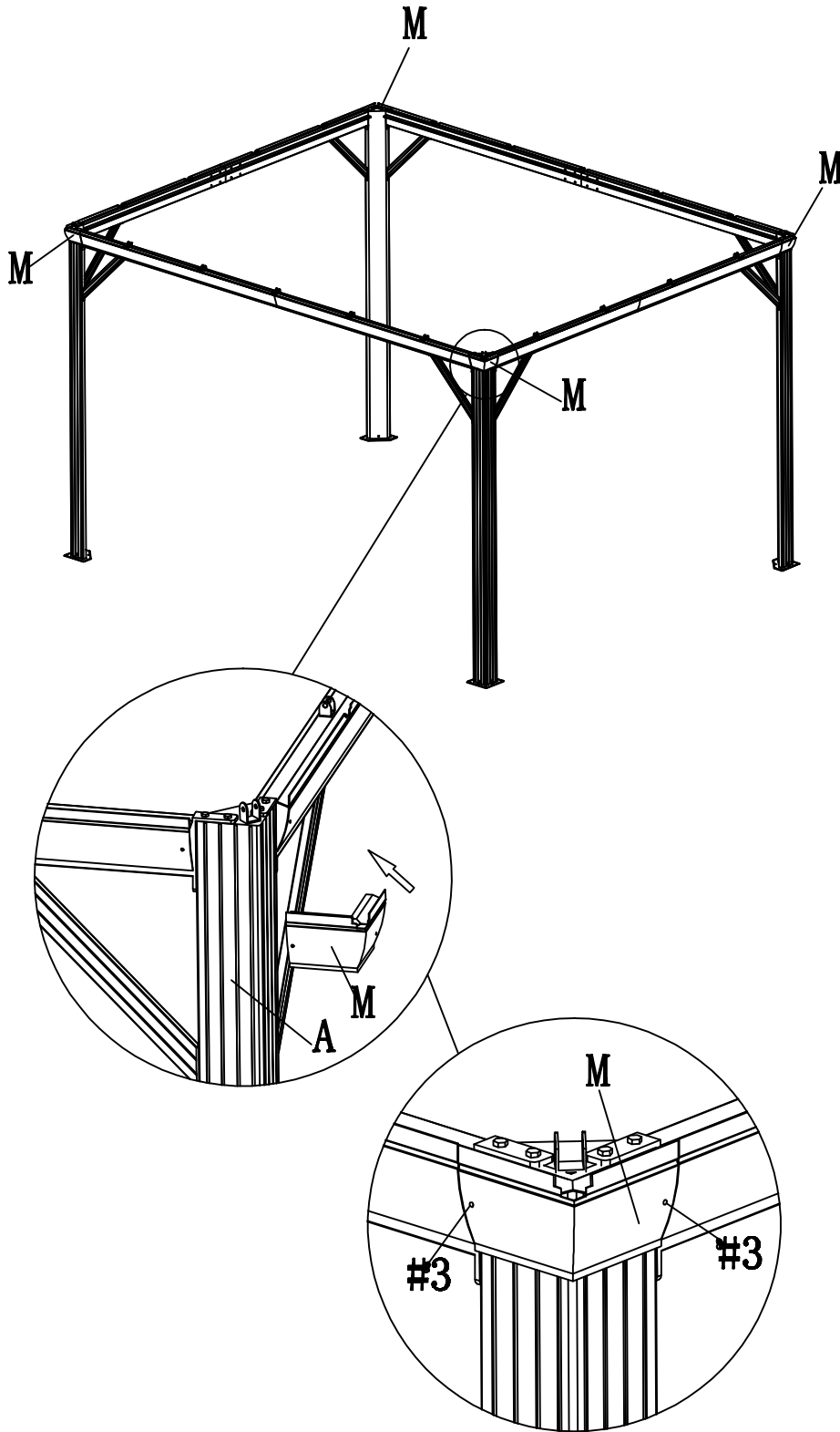
As shown, fix the braces (C) to posts (A) and crossbars assembly (B1)/(B2) and (B3)/(B4) by using bolts (#1).

Assembly Step

STEP 6

M*4

#3*8



As shown, fix at appropriate location corner moulding (M) by using self tapping screws (#3).

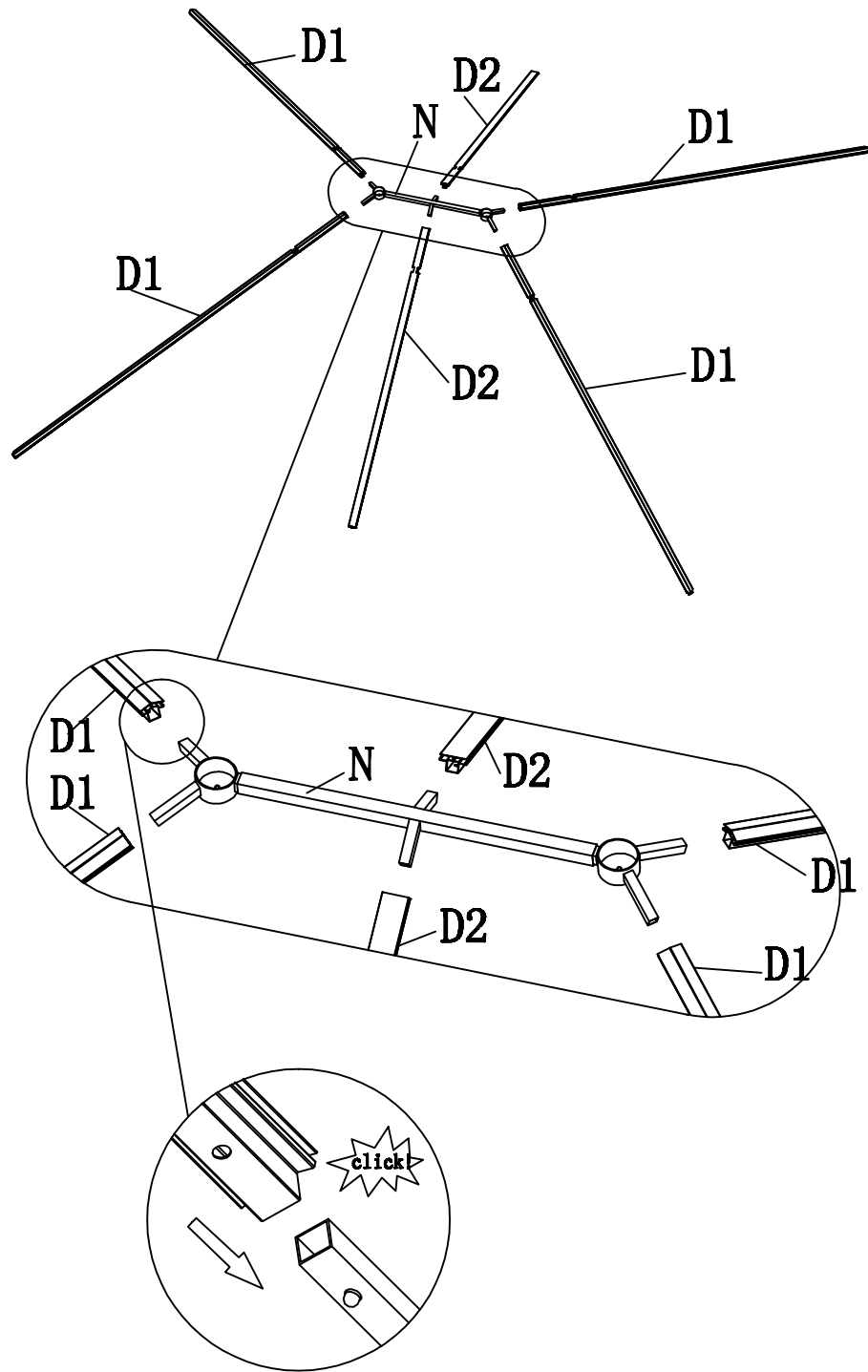
Assembly Step

STEP 7

D1*4

D2*2

N*1

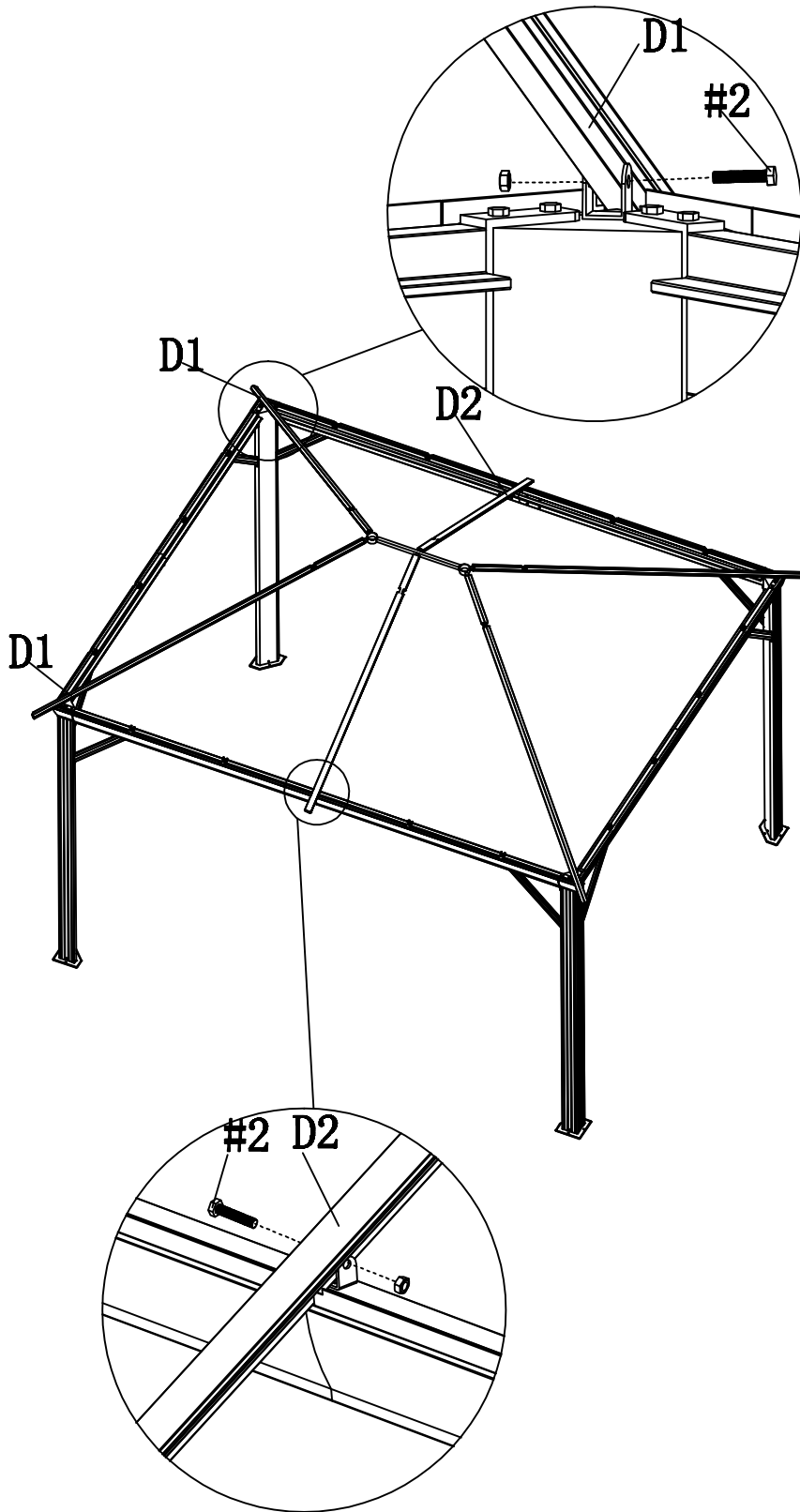


Repeat same procedure to fix corner roof tubes (D1) and roof tubes (D2) as shown.

Assembly Step

STEP 8

#2*6

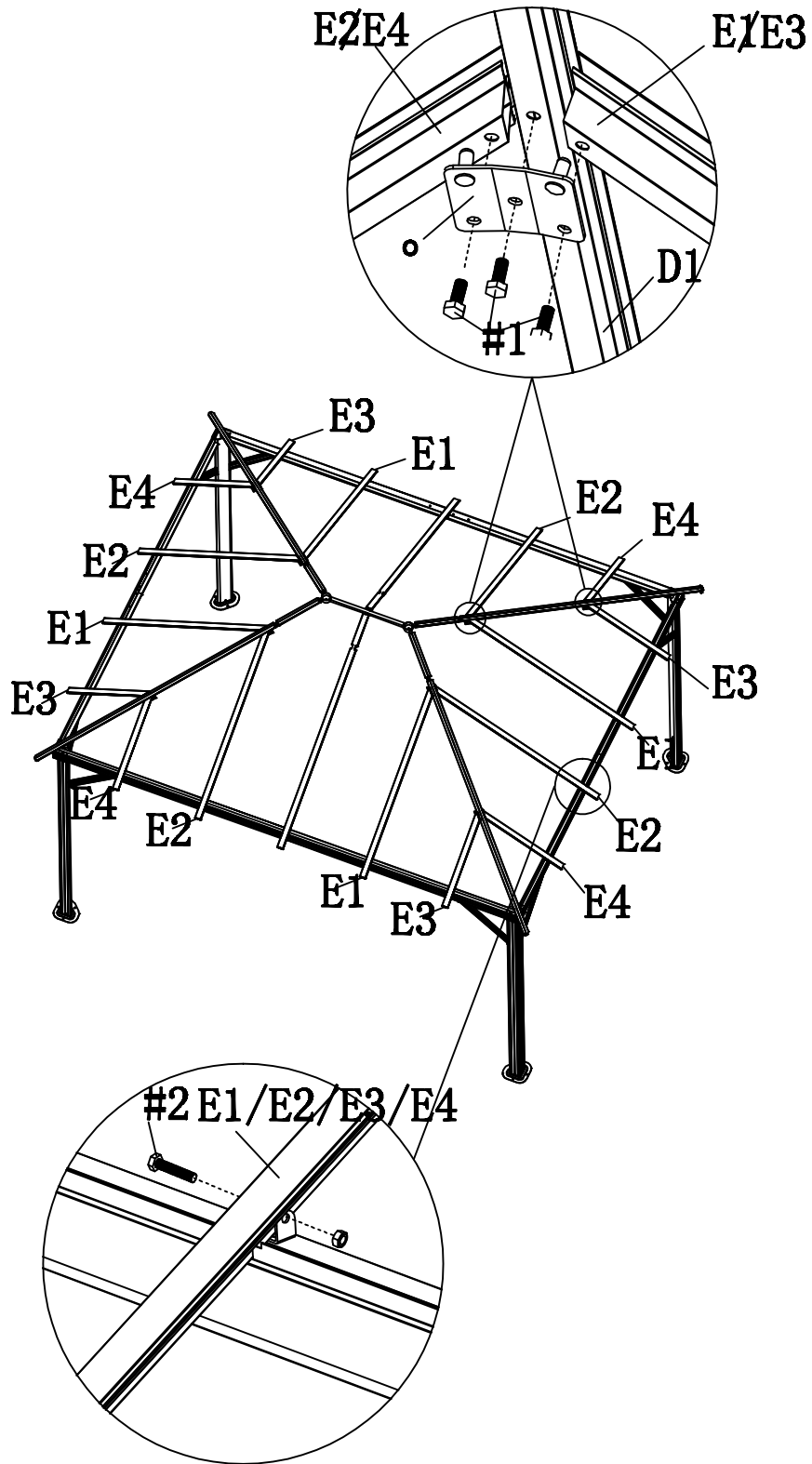


Lay down the last assembly on the gazebo main frame and fix tubes ends by using bolts and nuts (#2).

Assembly Step

STEP 9

E1*4
E2*4
E3*4
E4*4
O*8
#1*24
#2*16



Fix the roof tube (E1), (E2), (E3) and (E4) to corner roof tubes (D1) by using brackets (O) and bolts (#1) as shown. Fix other ends of tubes to the main frame by using bolts and nuts (#2).

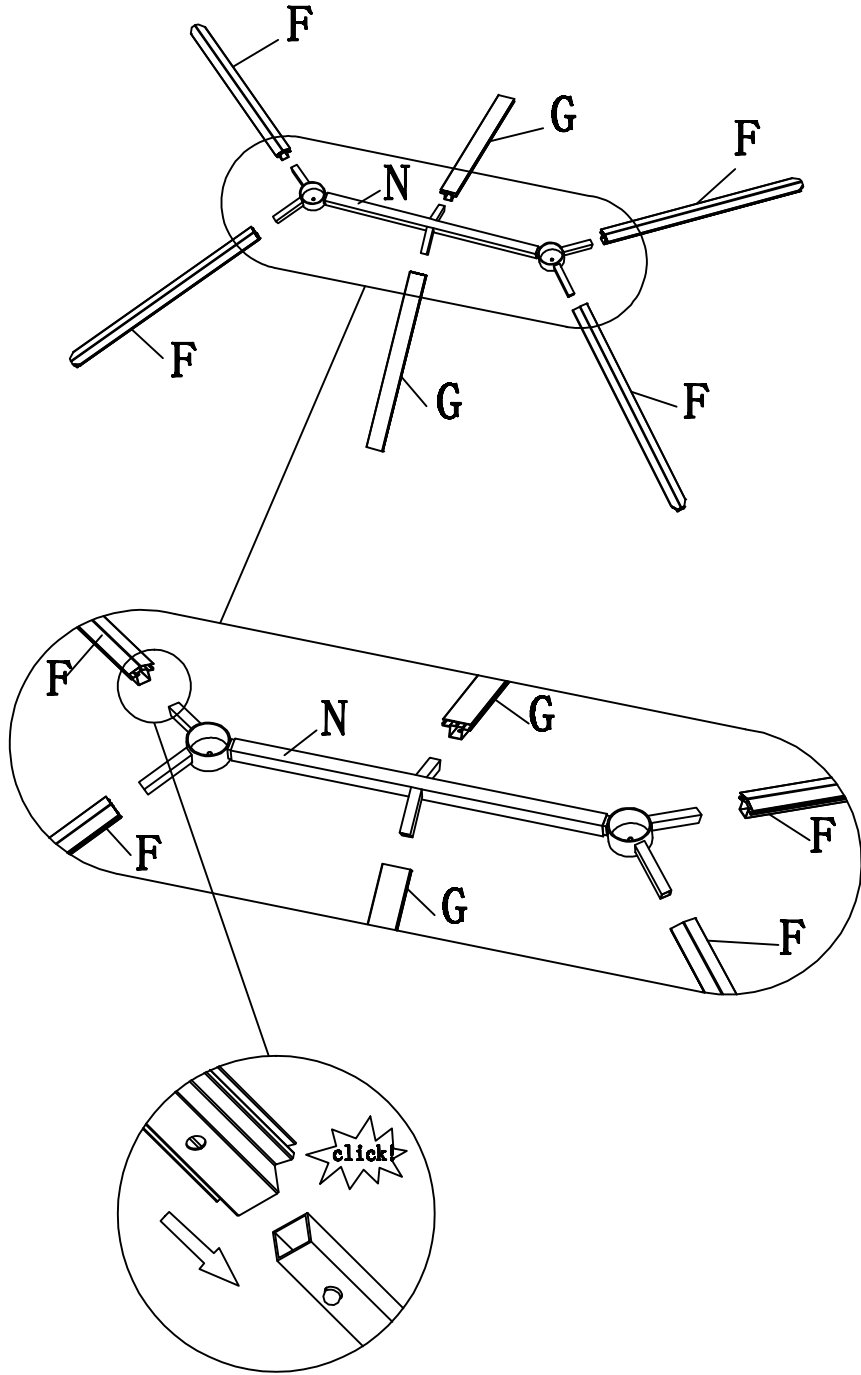
Assembly Step

STEP 10

F*4

G*2

N*1

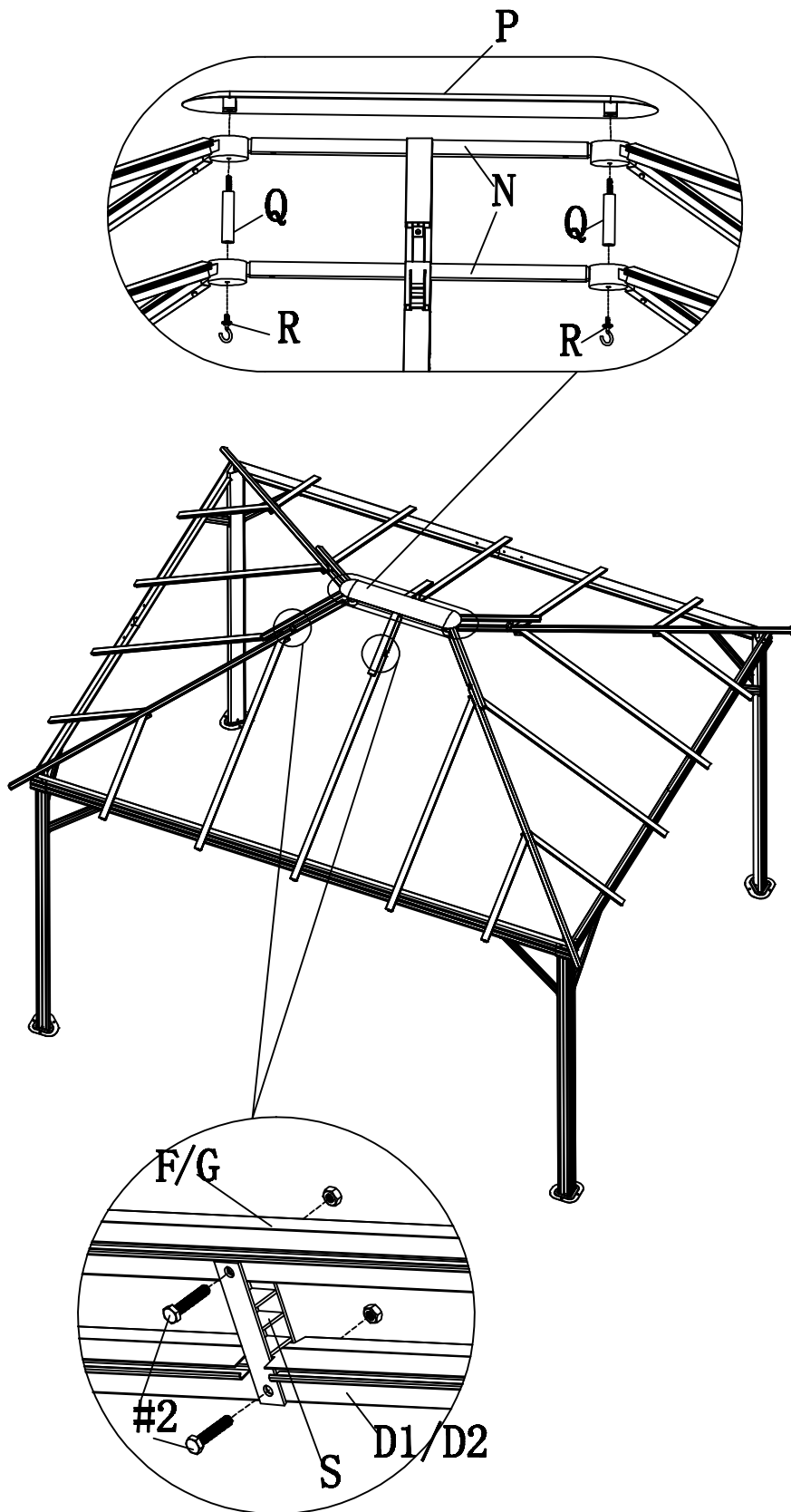


Repeat same procedure to fix roof tubes (F) and (G) as shown.

Assembly Step

STEP 11

P*1
Q*2
R*2
S*6
#2*12

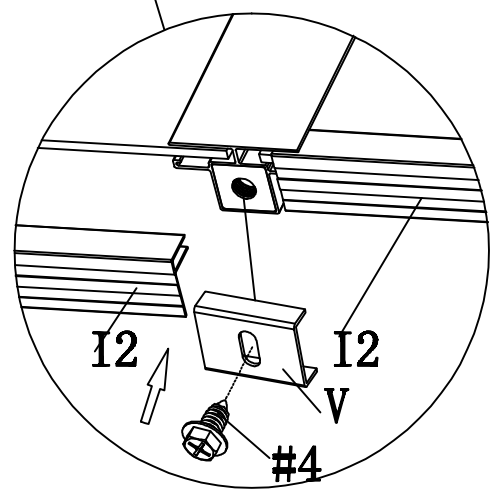
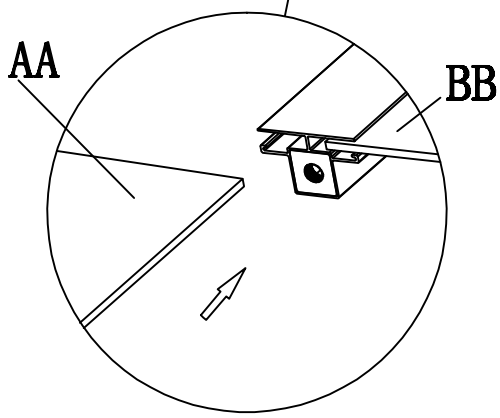
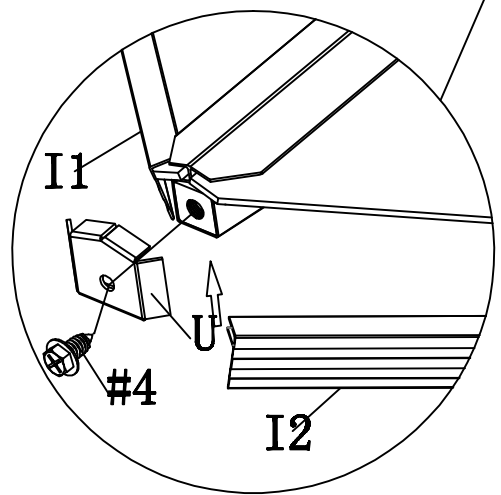
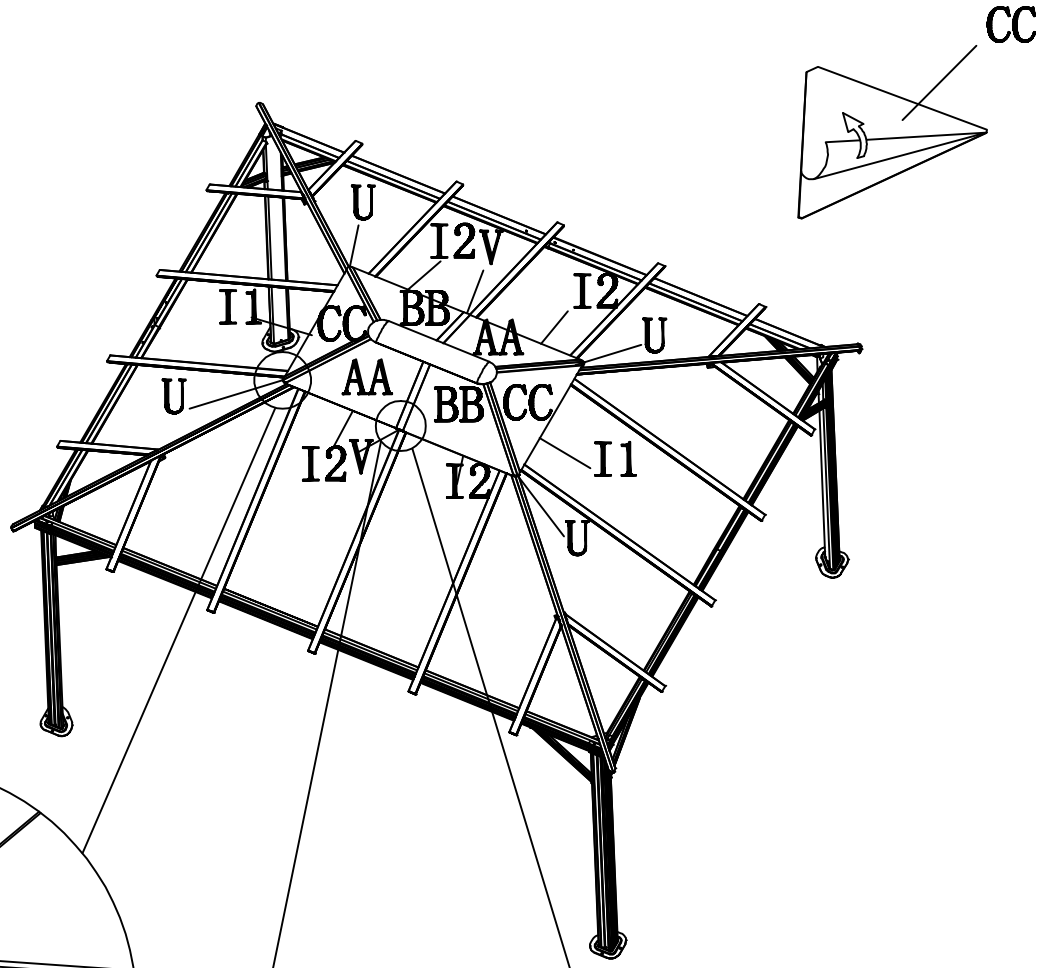


Fix the roof spacer (Q) under this last assembly by covering and screwing the roof cap (P) on. Lay down this assembly over the first central connector (N) fitted with (D1) corner roof tubes. Fix by using the hook (R) as shown. Fix other ends of the roof tubes (F) and (G) to the roof corner tubes (D1) and other tubes (D2) by using the roof spacer brackets (S) and bolts and nuts (#2).

Assembly Step

STEP 12

CC*2
AA*2
BB*2
I1*2
I2*4
U*4
V*2
#4*6



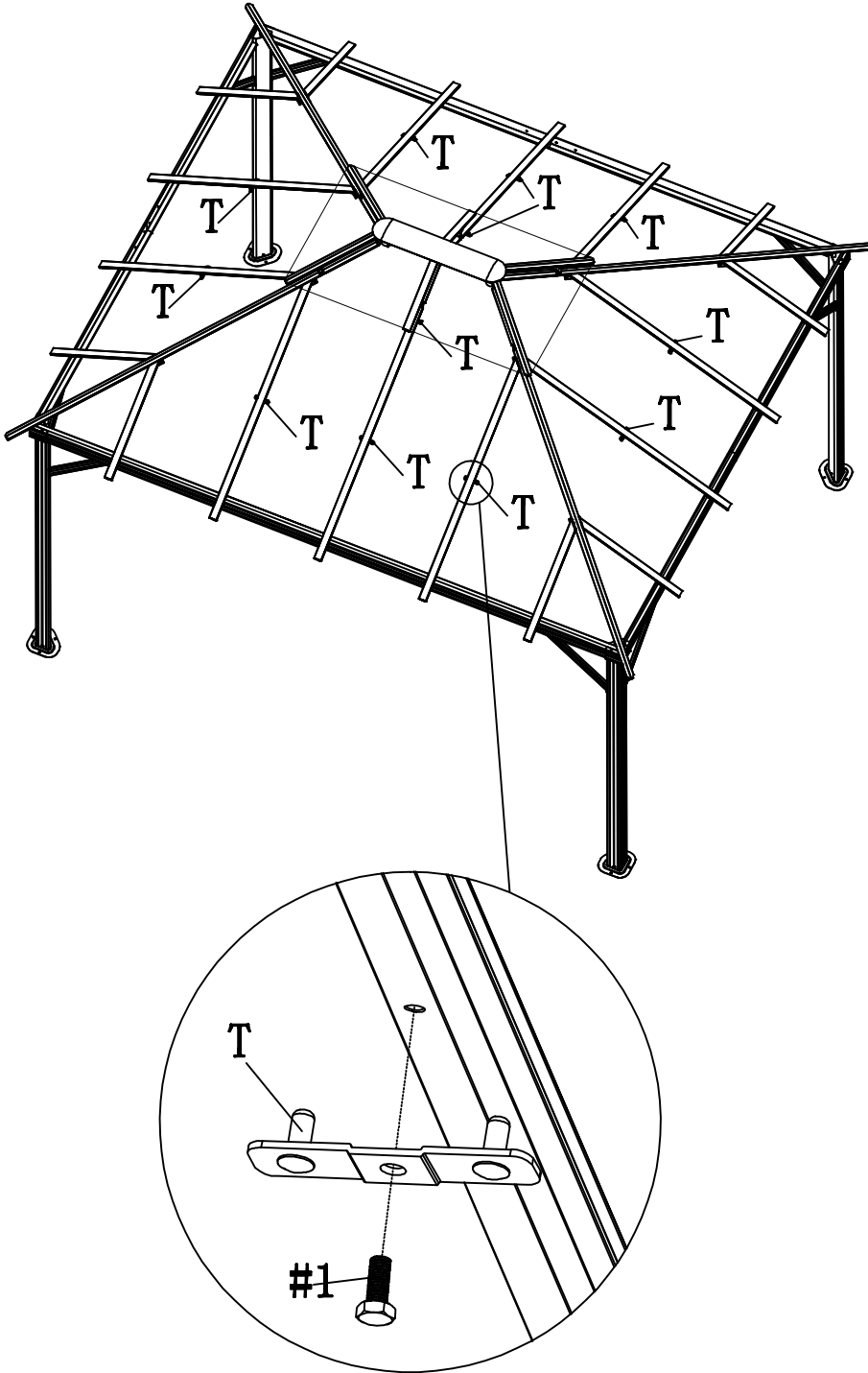
Insert roof panels (CC), (BB) and (AA) into the groove of roof tubes (F) and (G).
 As illustrated, insert roof edges (I2) and (I1) at the ends of roof panels of the small roof.
 As illustrated fix the roof corner brackets (U) and side roof brackets (V) by using (#4) bolts.
 In order not to damage inserts, do not over tighten the bolts.

Assembly Step

STEP 13

T*12

#1*12

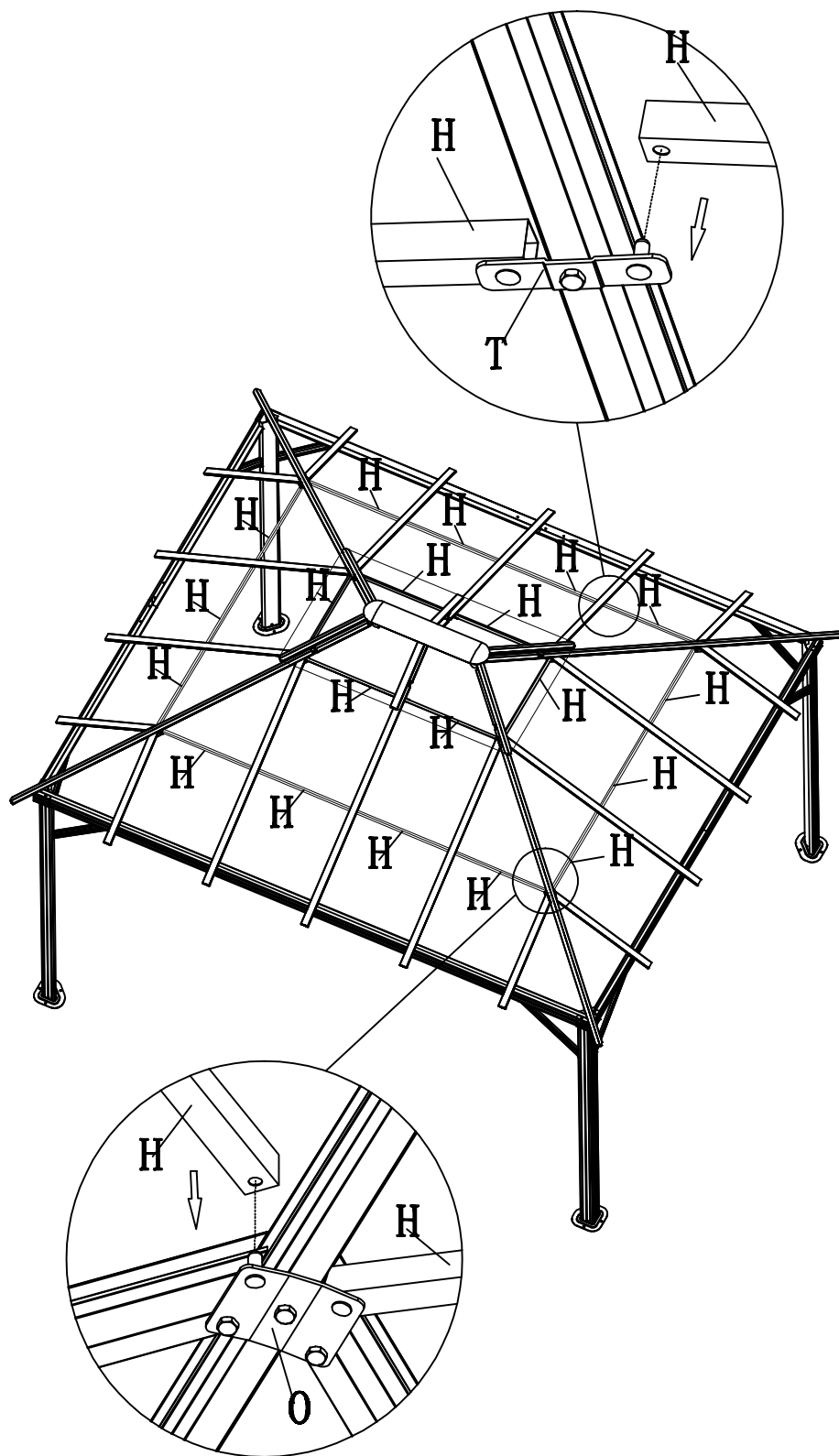


As illustrated, install brackets (T) to roof tubes (D2), (E1) and (E2) by using bolts (#1).

Assembly Step

STEP 14

H*20

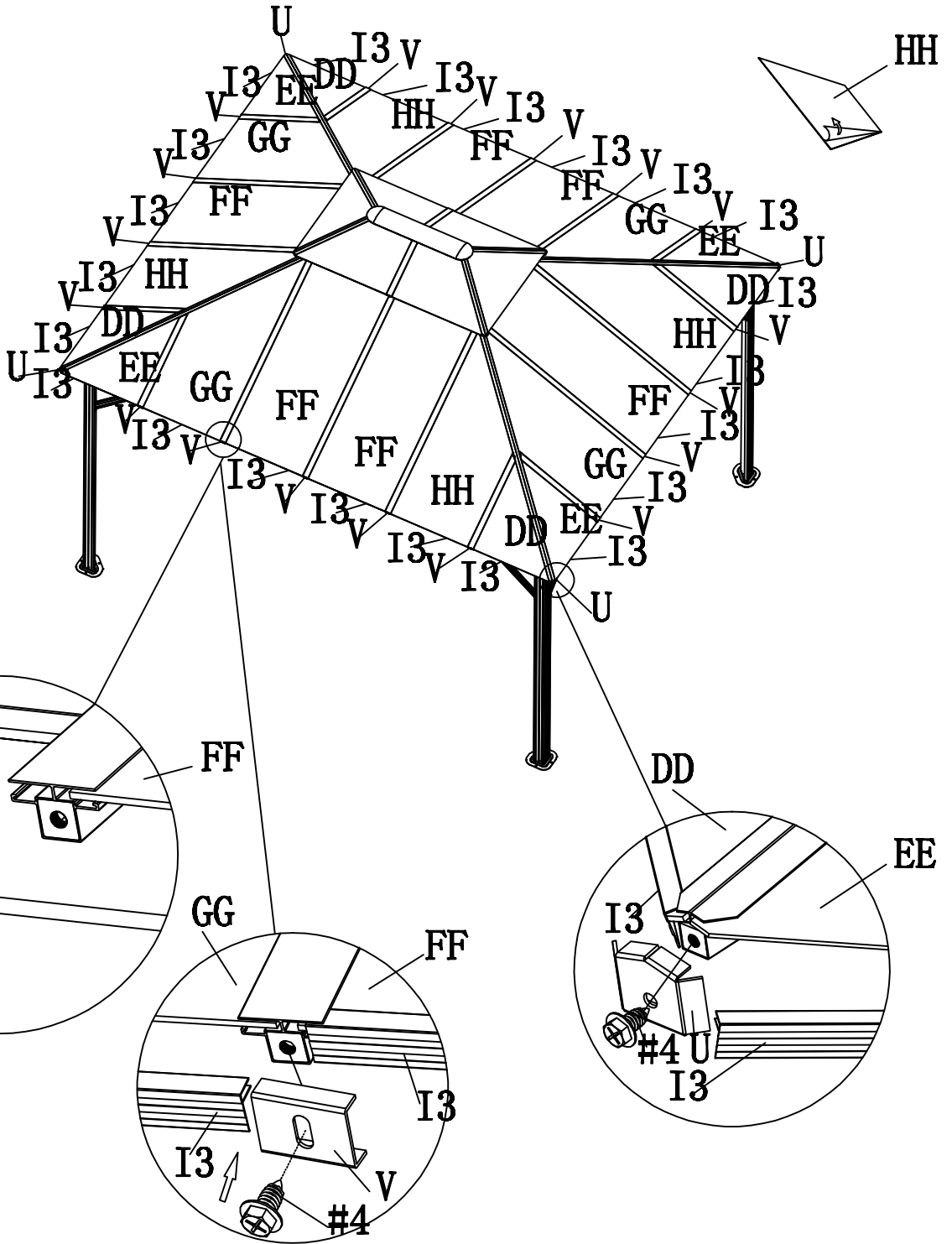


Insert small support crossbars (H) on pins of brackets (T) and (O) as shown.

Assembly Step

STEP 15

EE*4
GG*4
FF*6
HH*4
DD*4
I3*22
U*4
V*18
#4*22



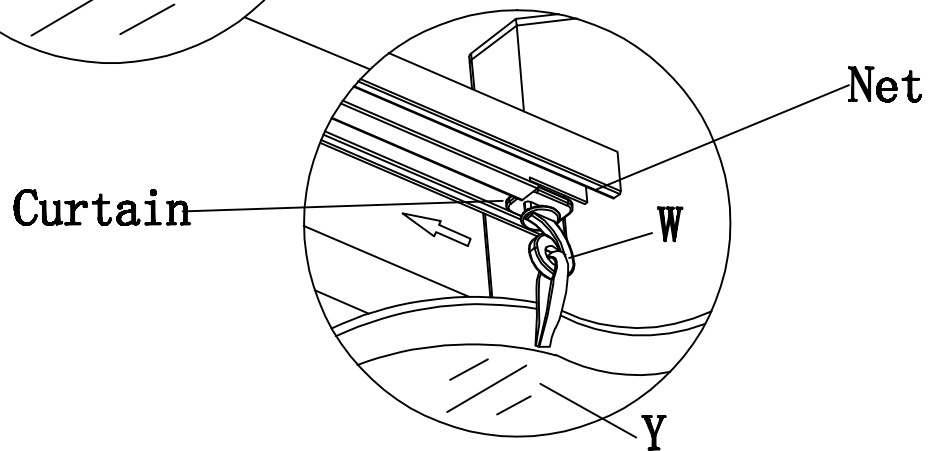
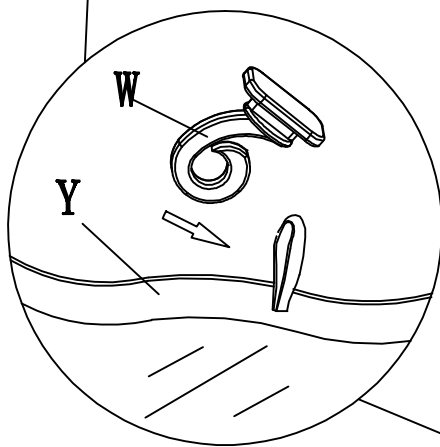
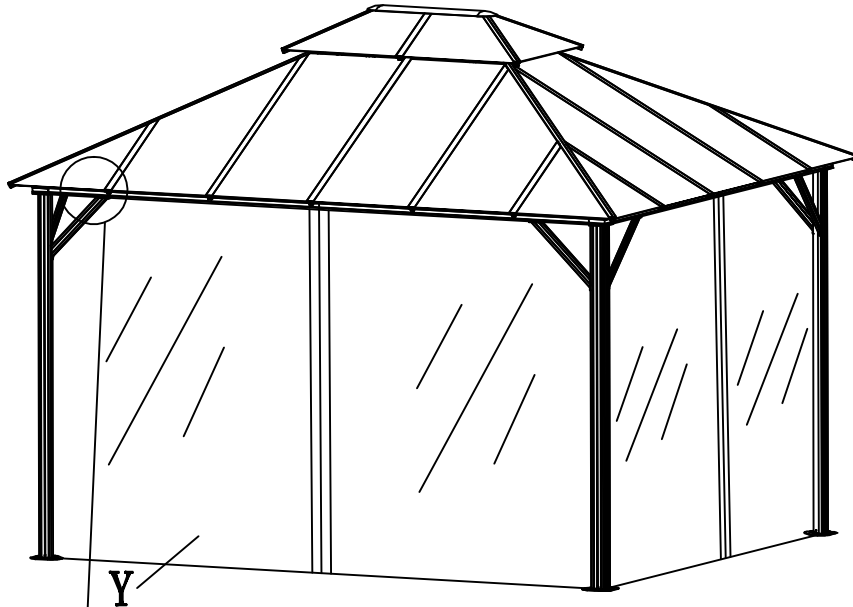
Insert roof panels (EE), (GG), (FF), (HH) and (DD) into the groove of roof tubes as shown.
 As shown, insert roof edges (I3) at ends of roof panels.
 Secure roof panels by using corner roof brackets (U) and side roof brackets (V) with bolts (#4).
 In order not to damage inserts, do not over tighten the bolts.

Assembly Step

STEP 16

W*44

Y*1



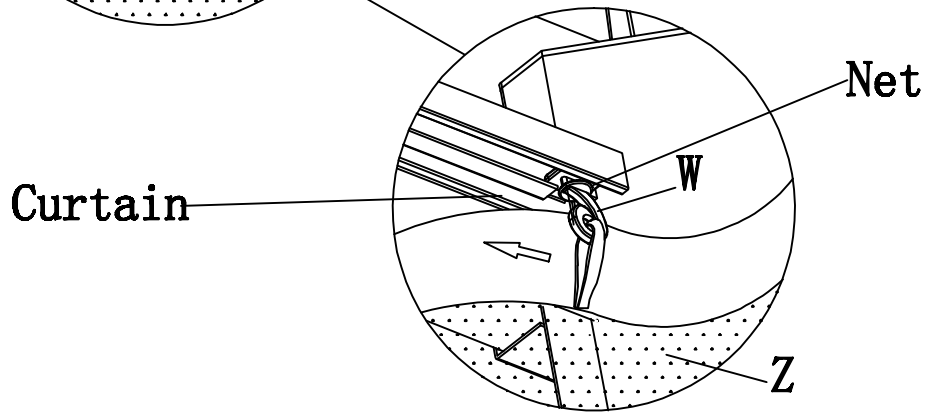
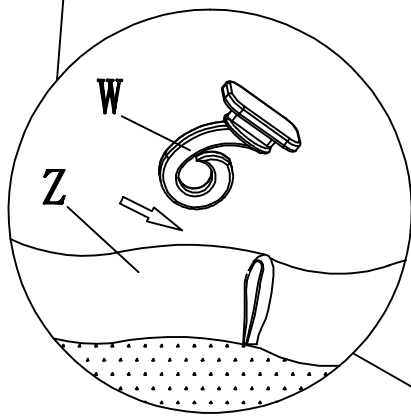
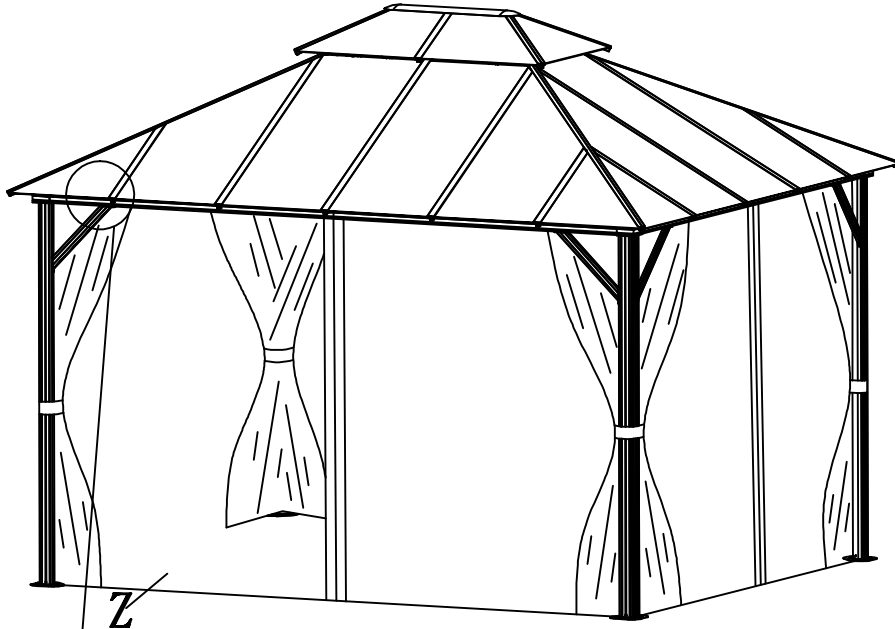
Hang up the curtain hooks (W) into the loops of the curtain (Y) and slide these hooks into the external rail of the (B1)/(B2) and (B3)/(B4) crossbars.

Assembly Step

STEP 17

W*44

Z*1

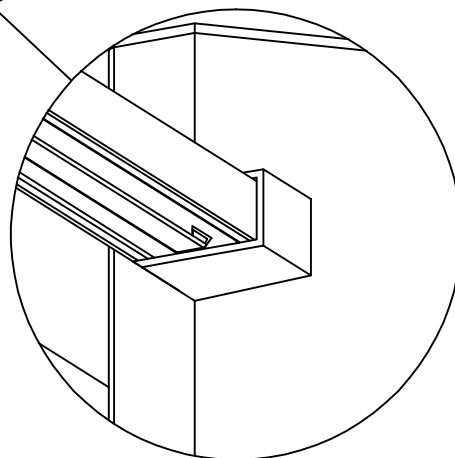
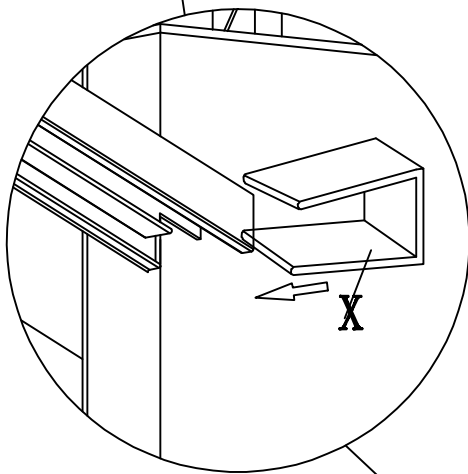
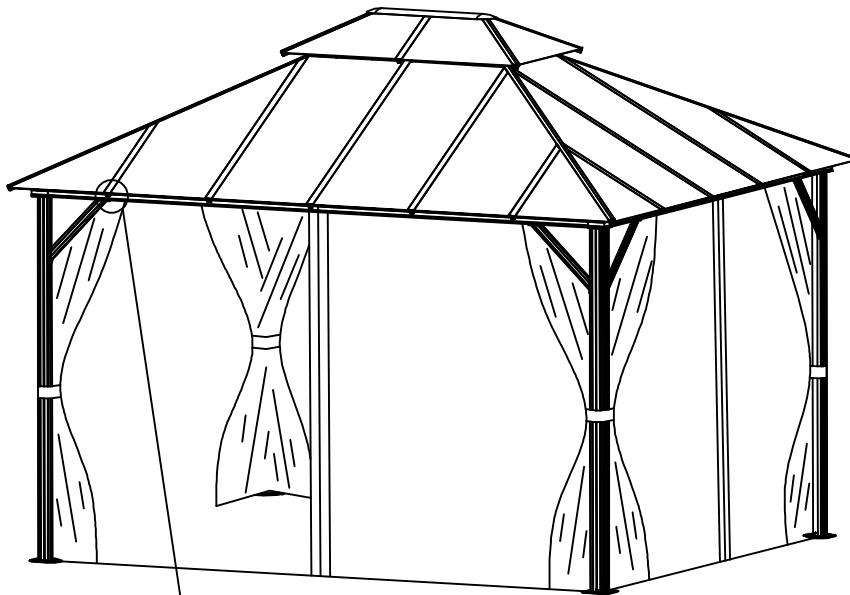


Hang up the yarn net hooks (W) into the mosquito net loops (Z) and insert these hooks into the inside rail of the (B1)/(B2) and (B3)/(B4) crossbars.

Assembly Step

STEP 18

X*8

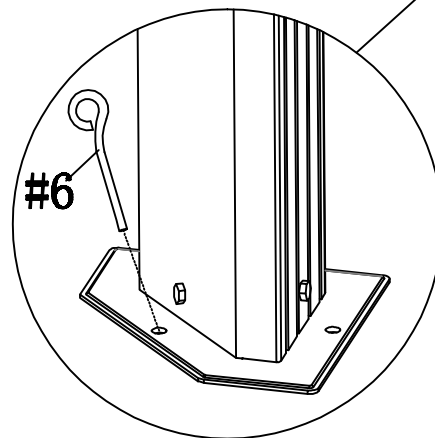
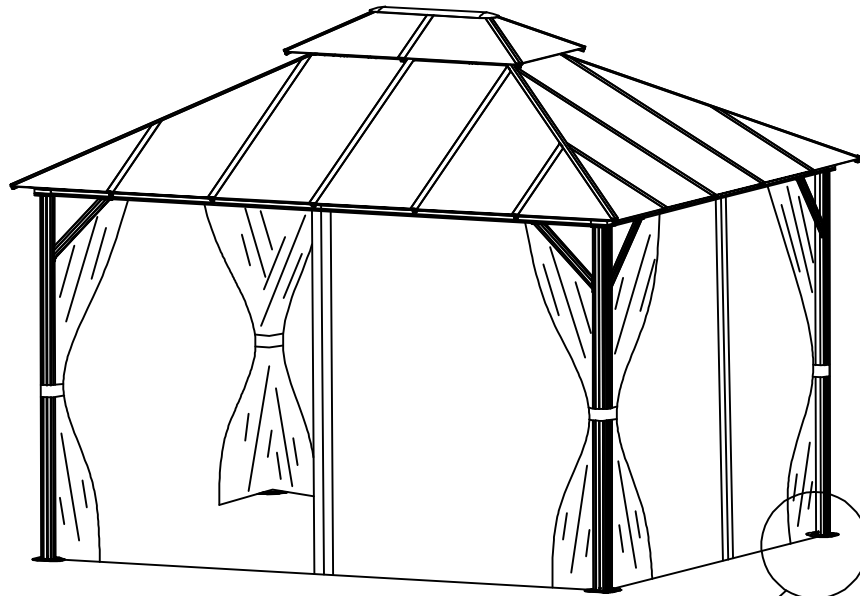


Then insert the hook stoppers (X) at ends of rail of (B1)/(B2) and (B3)/(B4) crossbars.

Assembly Step

STEP 19

#6*4



Use the stakes (#6) for ground fixing. Take note the anchoring devices to use may vary with ground status. Additional anchoring devices are not provided.