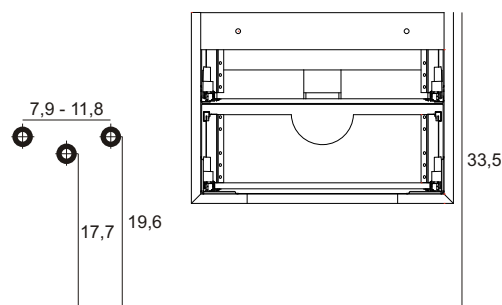
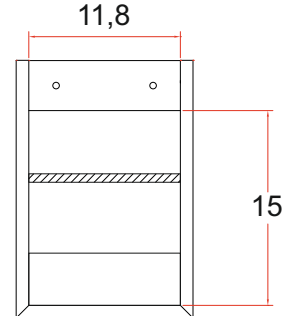
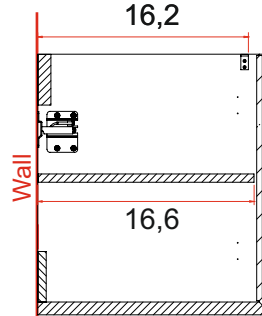
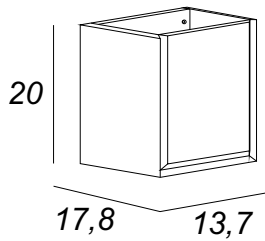
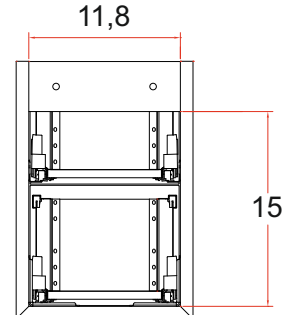
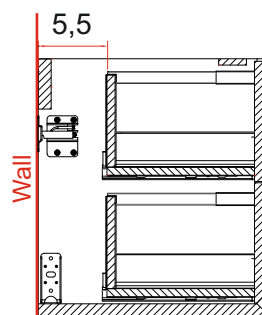
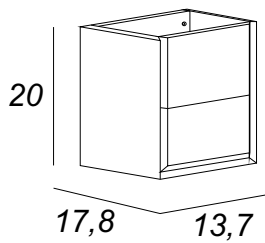
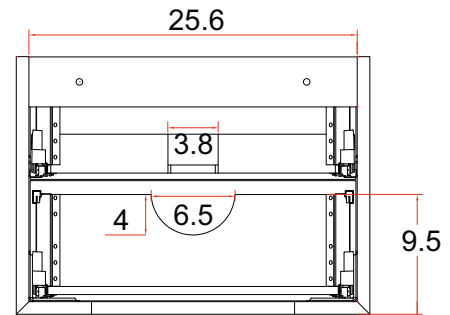
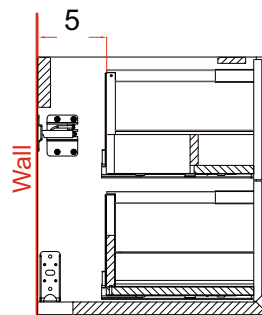
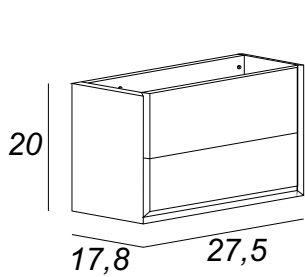


Features:

- Drawers push-open and soft-close
- Handleless ergonomic continuous drawer
- Includes fully adjustable drawersliders
- Fully finished interiors
- Includes installation hardware
- Micro-Density Fiberboard (MDF) construction
- PVC finish resists moisture and scratches

Side view for plumbing

Back view for plumbing

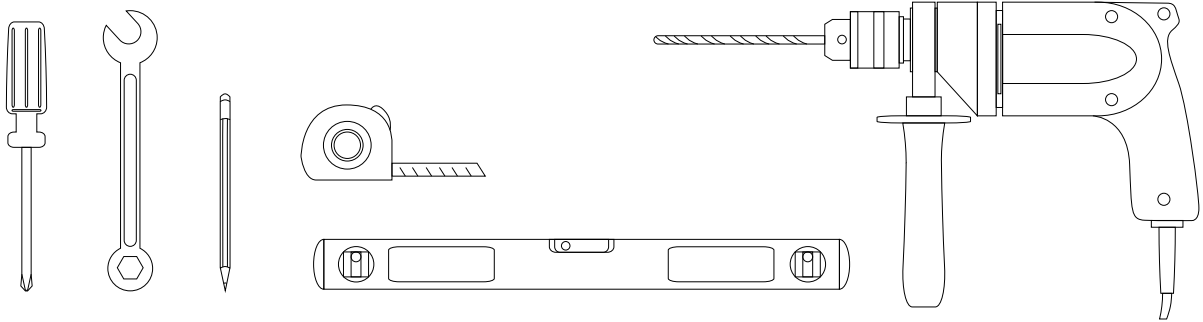


Installation notes:

Install this product according to the installation guide
Special site preparation is required.

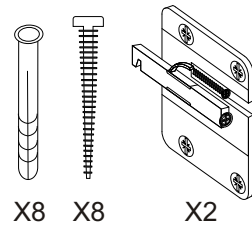
The plumbing must be roughed into the plumbing cutout area of the vanity.
Refer to the sink rough-in and the vanity rough-in for proper placement. The water supply and drain lines must be installed before installing the vanity.

Installation tools not included:



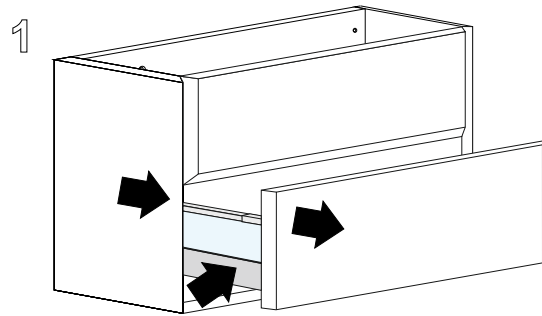
Materials Included:

8 nylon rawlplug
8 screws
2 wall plate



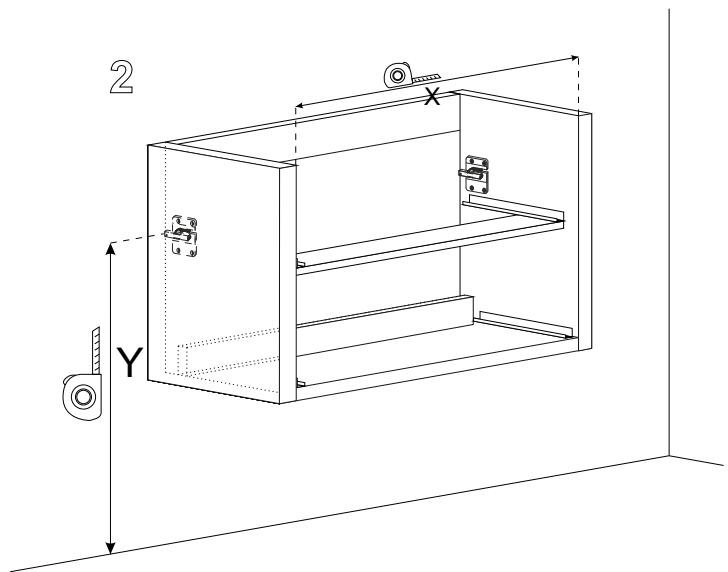
Step 1

Pull out completely the drawers and take off from the slide rails.



Step 2

Determine the ideal location of your new vanity. Mark the holes and drill pilot holes in the dry wall.

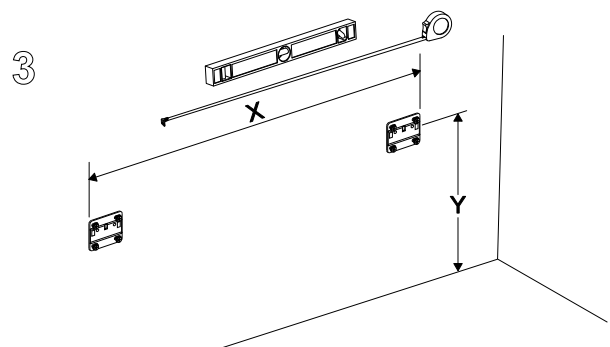


Step 3

Place the wall brackets on the finished wall and install at the locations drilled with the screws as shown here.

According to measures taken on step 2, make drills with diameter 0,3in. For each wall plate must be made 4 holes. Then insert nylon rawlplug for each drill.

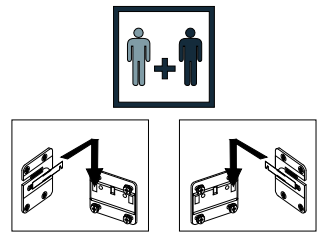
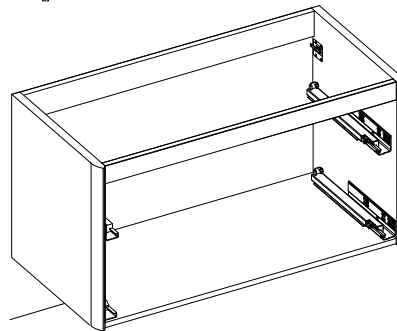
Fix wall plate to wall using screws. After that plates are strongly fixed on wall, you can install vanity on wall.



Step 4

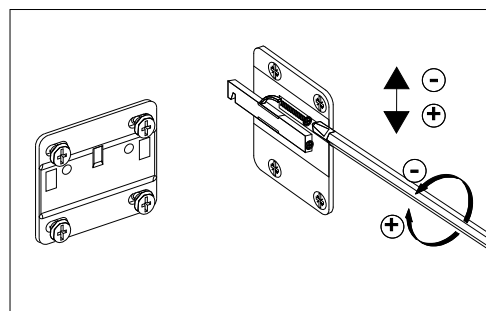
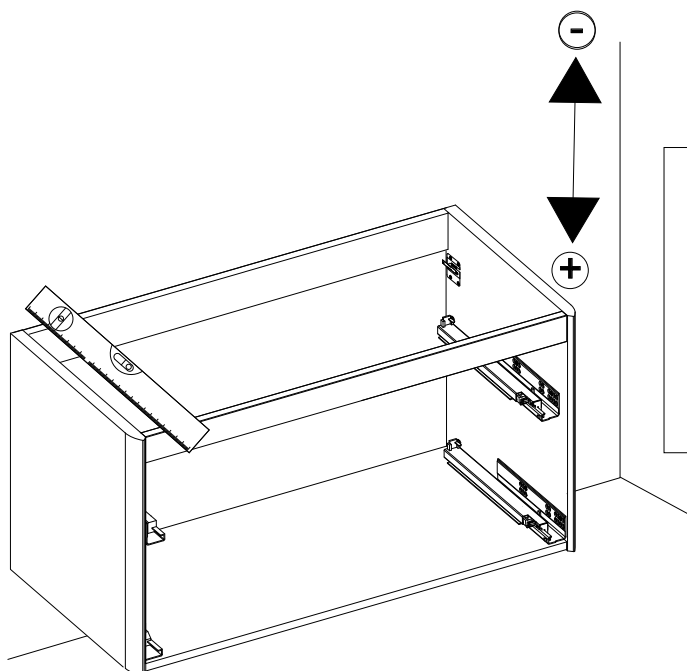
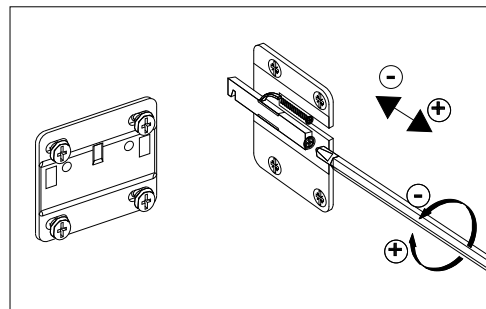
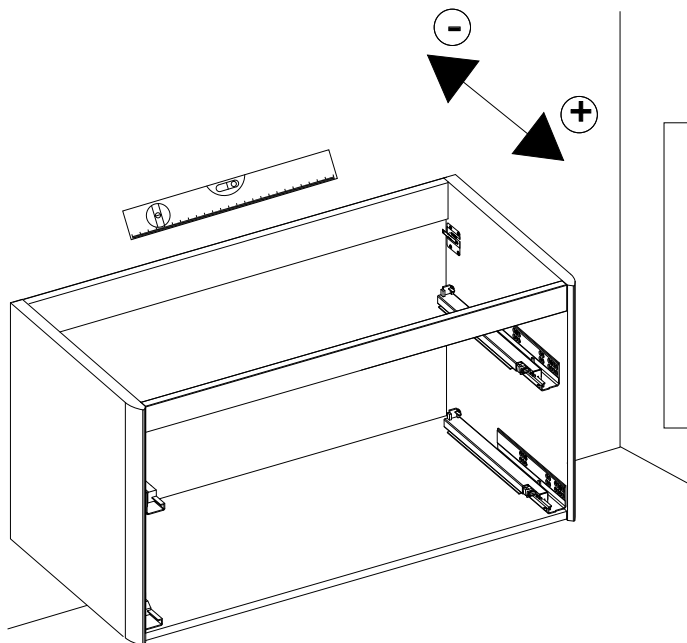
It is possible to adjust the vanity using the adjusting screws.

4



Step 5

Fully extend the slide rails out. Place the drawer into the slide rails. To secure drawer, close the drawer until a series of clicks are heard.



Installation notes:

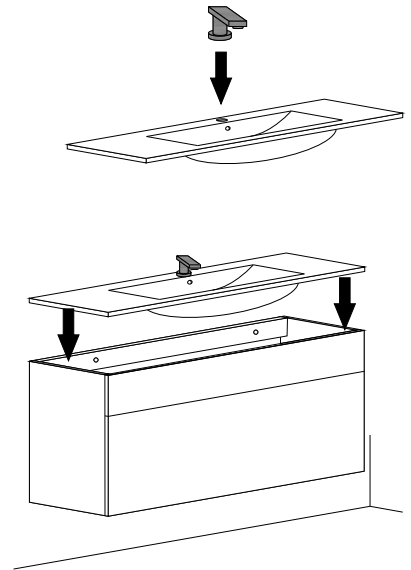
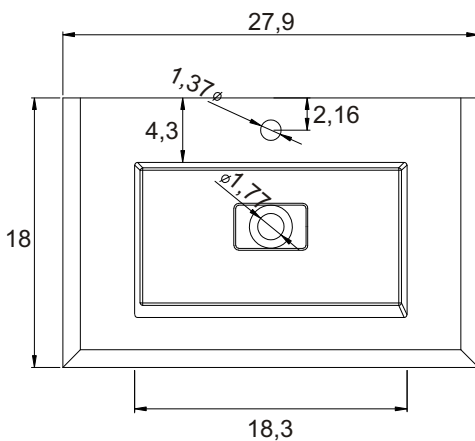
Faucet and silicone are not included.
All sizes are subject to tolerance.

Sink assembly

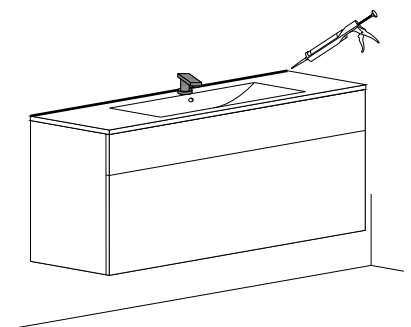
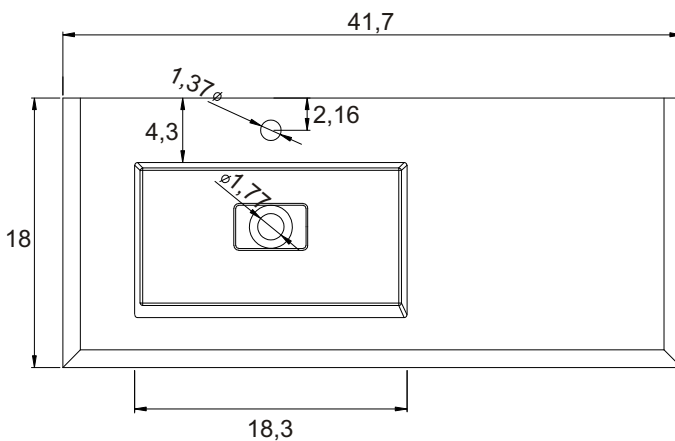
Install the faucet to the top and drains to the sink. Refer to the faucet and drain manufacturer's instructions. Complete the faucet connections. Run water and check for leaks. Apply a bead of silicone behind the top surface to the finished wall.

RESIN BASIN

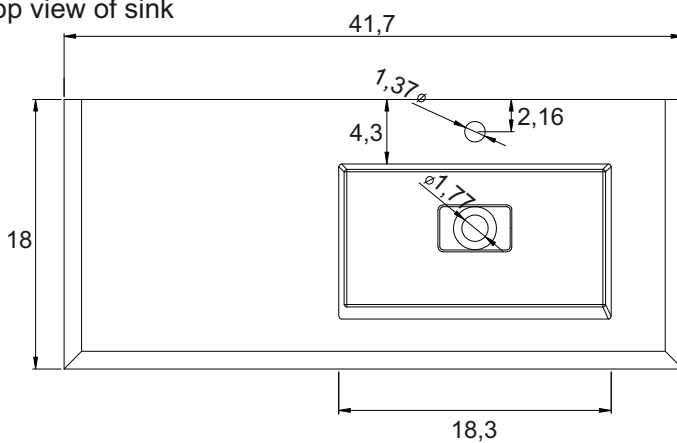
Top view of sink

**RESIN BASIN**

Top view of sink

**RESIN BASIN**

Top view of sink



Installation notes:

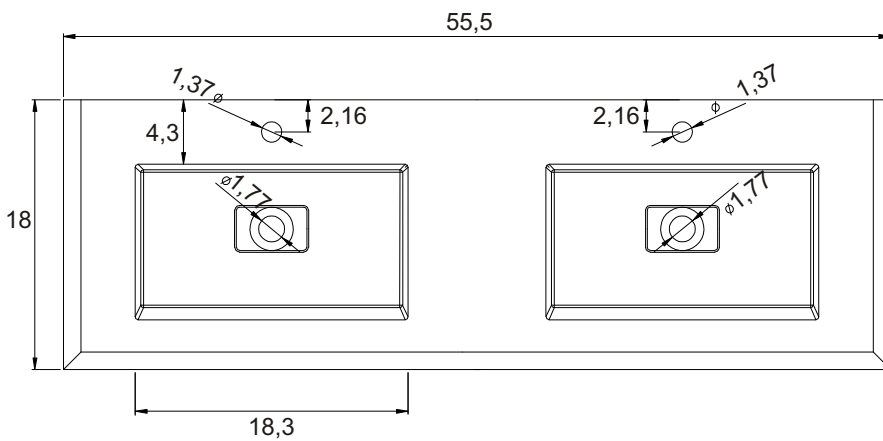
Faucet and silicone are not included.
All sizes are subject to tolerance.

Sink assembly

Install the faucet to the top and drains to the sink. Refer to the faucet and drain manufacturer's instructions. Complete the faucet connections. Run water and check for leaks. Apply a bead of silicone behind the top surface to the finished wall.

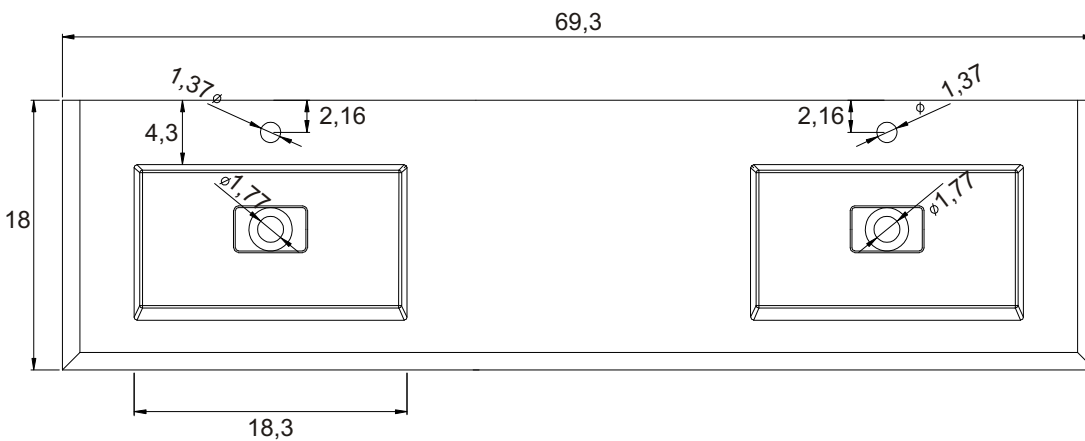
RESIN BASIN

Top view of sink



RESIN BASIN

Top view of sink



Sink assembly

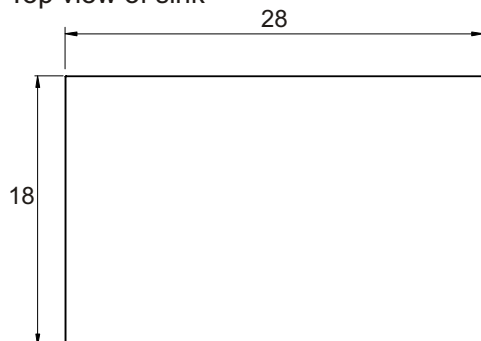
Install the faucet to the top and drains to the sink. Refer to the faucet and drain manufacturer's instructions. Complete the faucet connections. Run water and check for leaks. Apply a bead of silicone behind the top surface to the finished wall.

Installation notes:

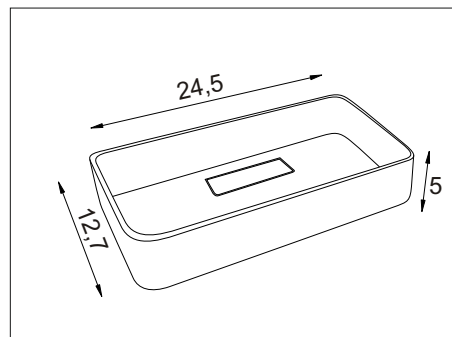
Faucet and silicone are not included. All sizes are subject to tolerance.

SOLID SURFACE TOP

Top view of sink

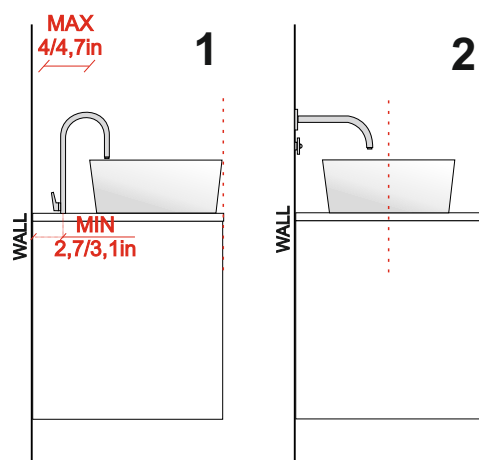
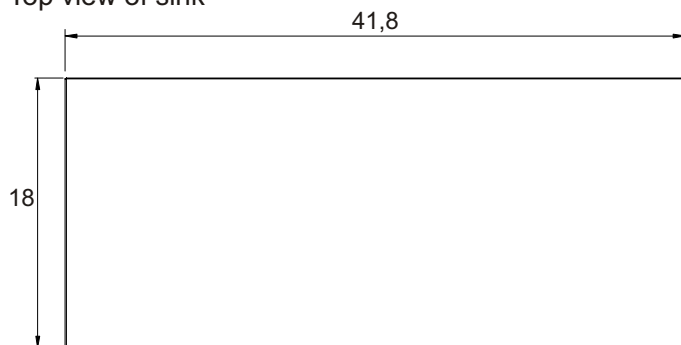


SOLID SURFACE BASIN



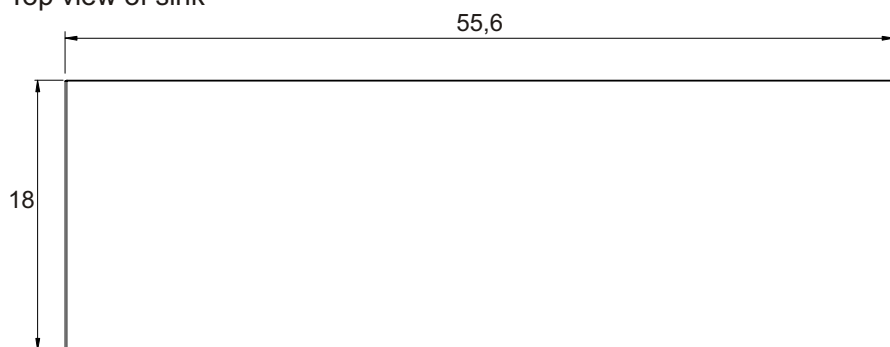
SOLID SURFACE TOP

Top view of sink



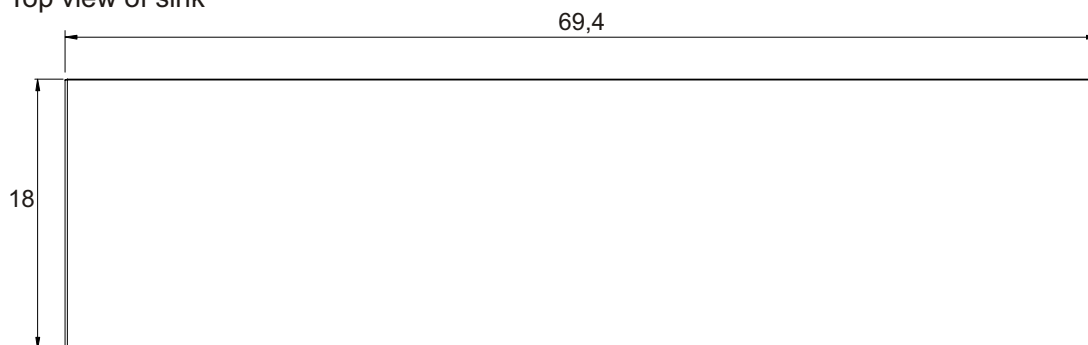
SOLID SURFACE TOP

Top view of sink



SOLID SURFACE TOP

Top view of sink



Sink assembly

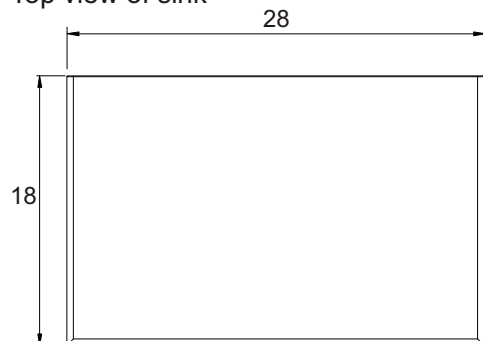
Install the faucet to the top and drains to the sink. Refer to the faucet and drain manufacturer's instructions. Complete the faucet connections. Run water and check for leaks. Apply a bead of silicone behind the top surface to the finished wall.

Installation notes:

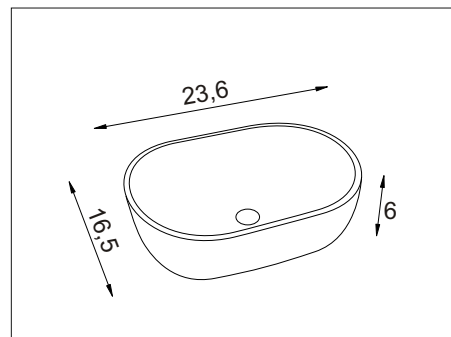
Faucet and silicone are not included. All sizes are subject to tolerance.

WOODEN TOP

Top view of sink

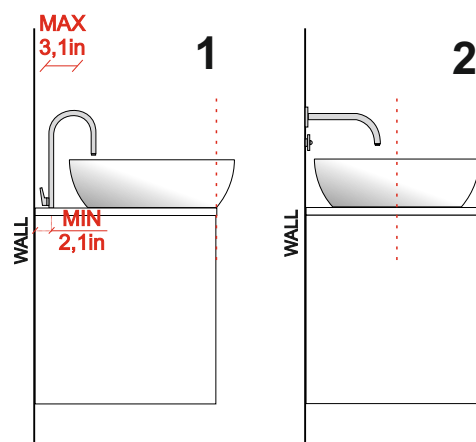
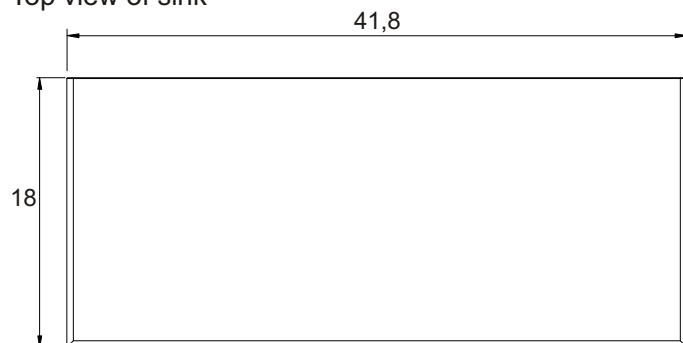


CERAMIC BASIN



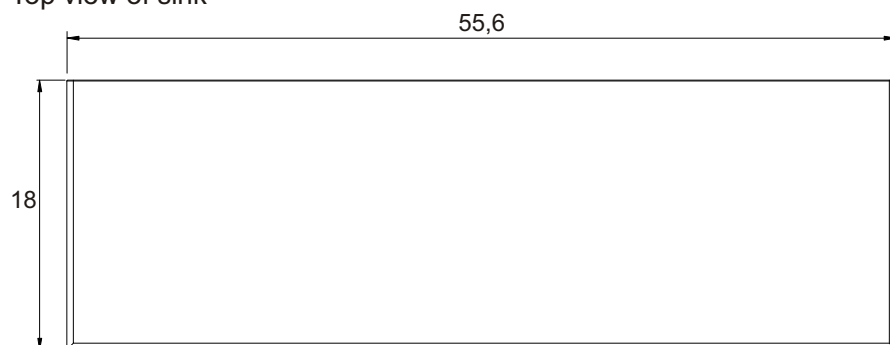
WOODEN TOP

Top view of sink



WOODEN TOP

Top view of sink



WOODEN TOP

Top view of sink

