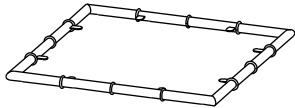


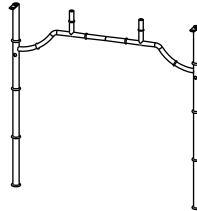
ASSEMBLY INSTRUCTION

A Top Frame



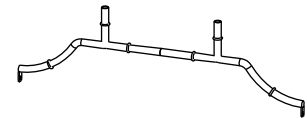
1pc

B Leg



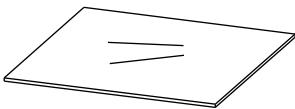
2pcs

C Side Panel



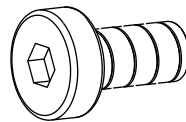
2pcs

D Glass Top



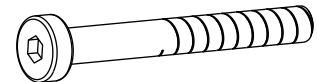
1pc

E Bolt
1/4" x 1/2"



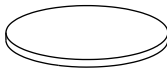
8pcs

F Bolt
1/4" x 3-1/4"



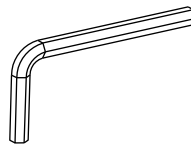
8pcs

G Pad
10mm

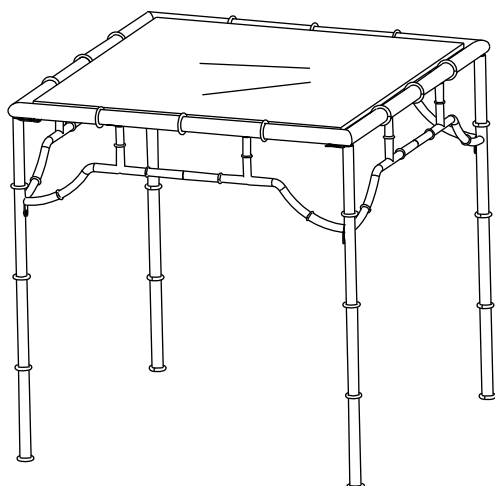


8pcs

H Allen Wrench
1/4"



1pc

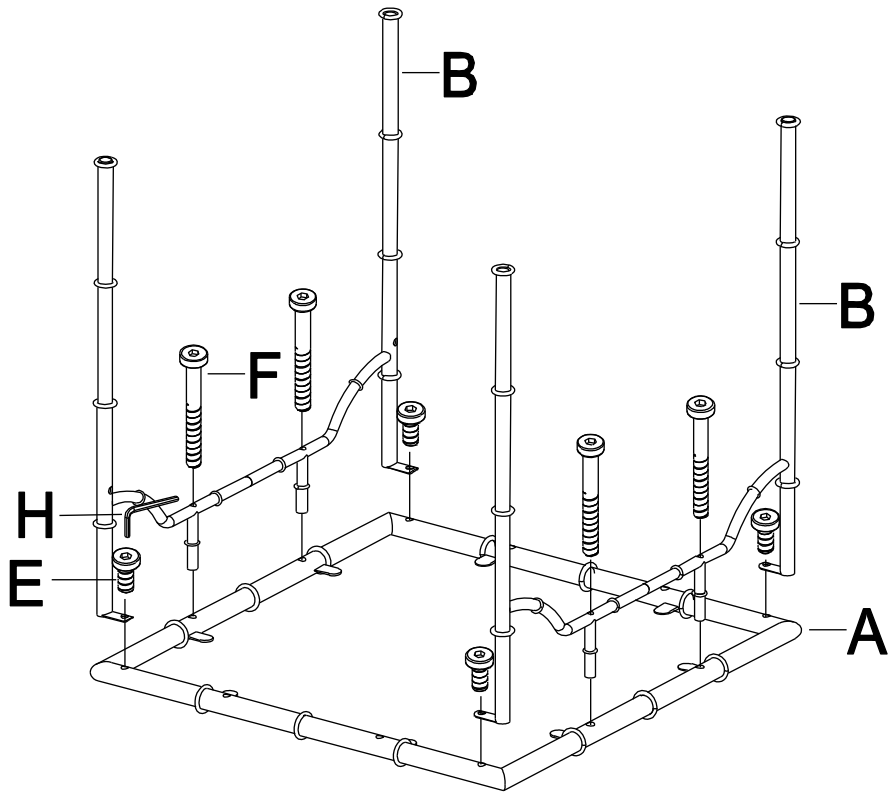


This page lists all the contents included in the box. Please take the time to identify the hardware as well as the individual components to this product. As you unpack and prepare for assembly, place the contents on a carpeted or padded area to protect them from damage.

***** Do not tighten screws & bolts until the entire unit is completely assembled.**

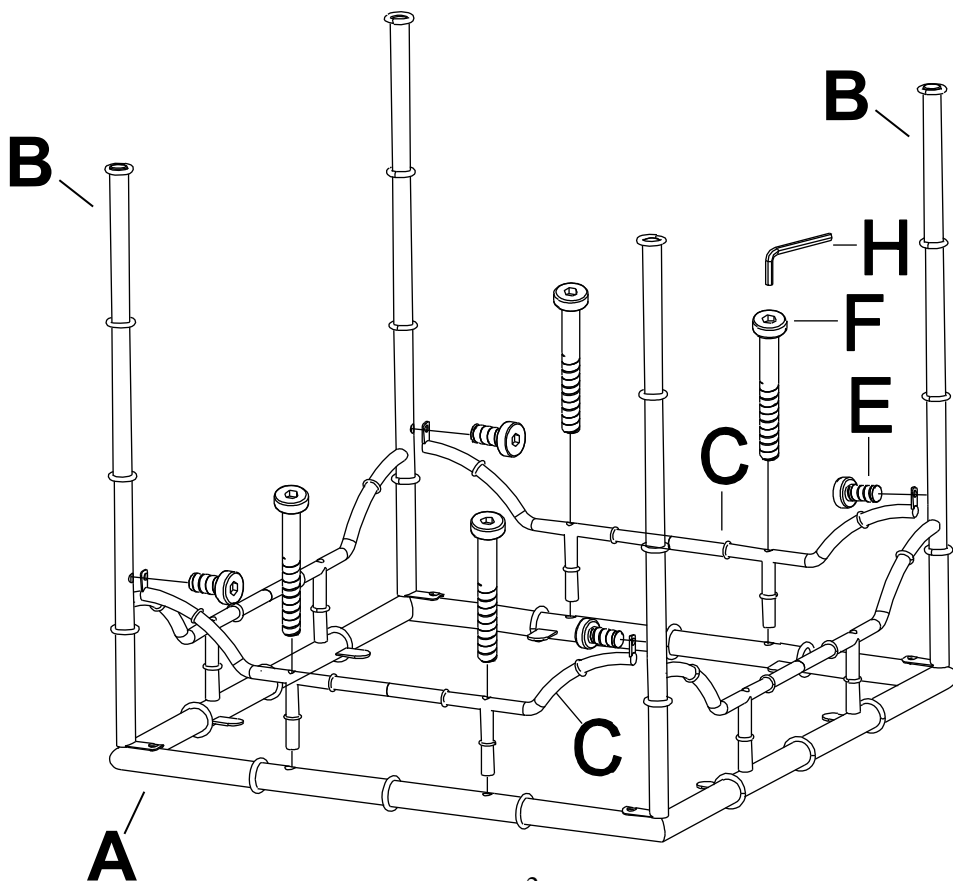
1

Attach Leg (B) to Top Frame (A) by Bolt (E) (F) and Allen Wrench (H) as shown.



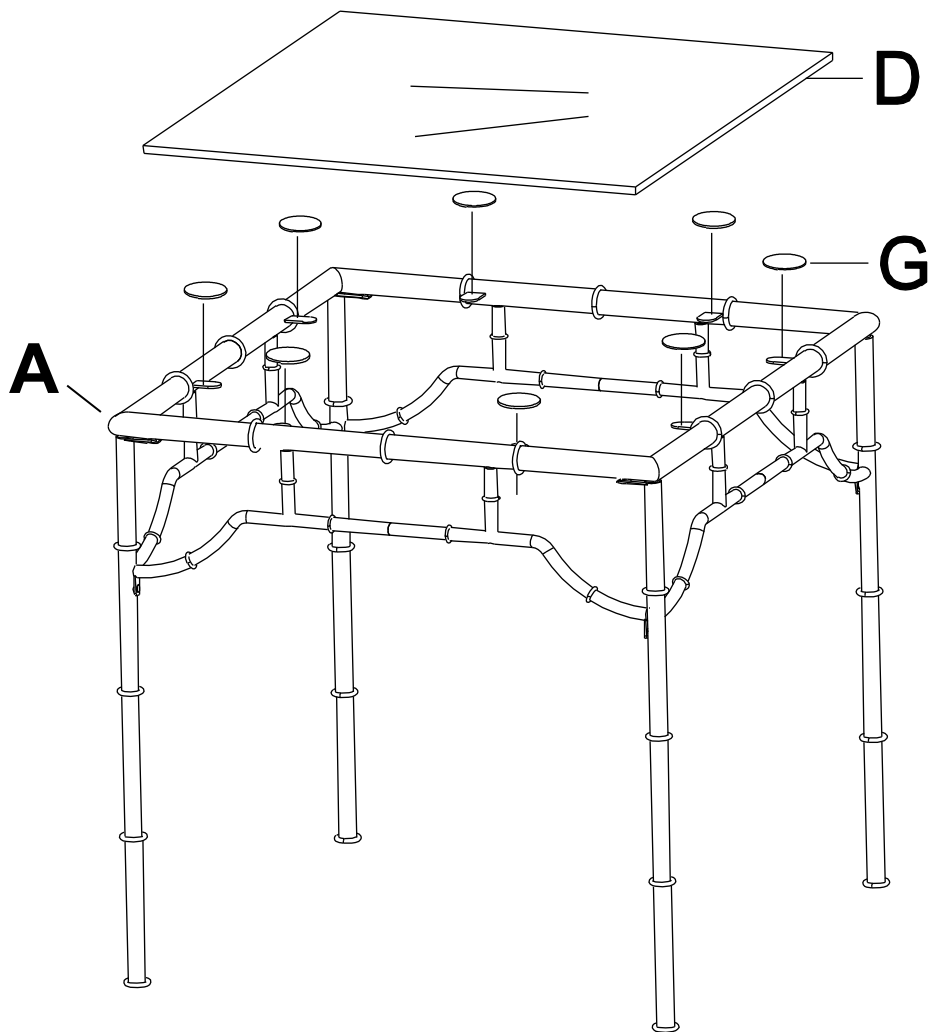
2

Attach Side Panel (C) to Top Frame (A) by Bolt (F) and Allen Wrench (H). Attach Side Panel (C) to Leg (B) by Bolt (E) and Allen Wrench (H) as shown.



3

Attach Pad (G) to Top Frame (A), then put the Glass Top (D) on the Top Frame (A) as shown.



Cleaning & Care

Treat surface with care. Surface is resistant to scratches but is not scratch resistant. Clean surfaces with a dry or damp soft cloth. Do not use abrasive cleaners. Hardware may loosen over time. Periodically check that all connections are tight.