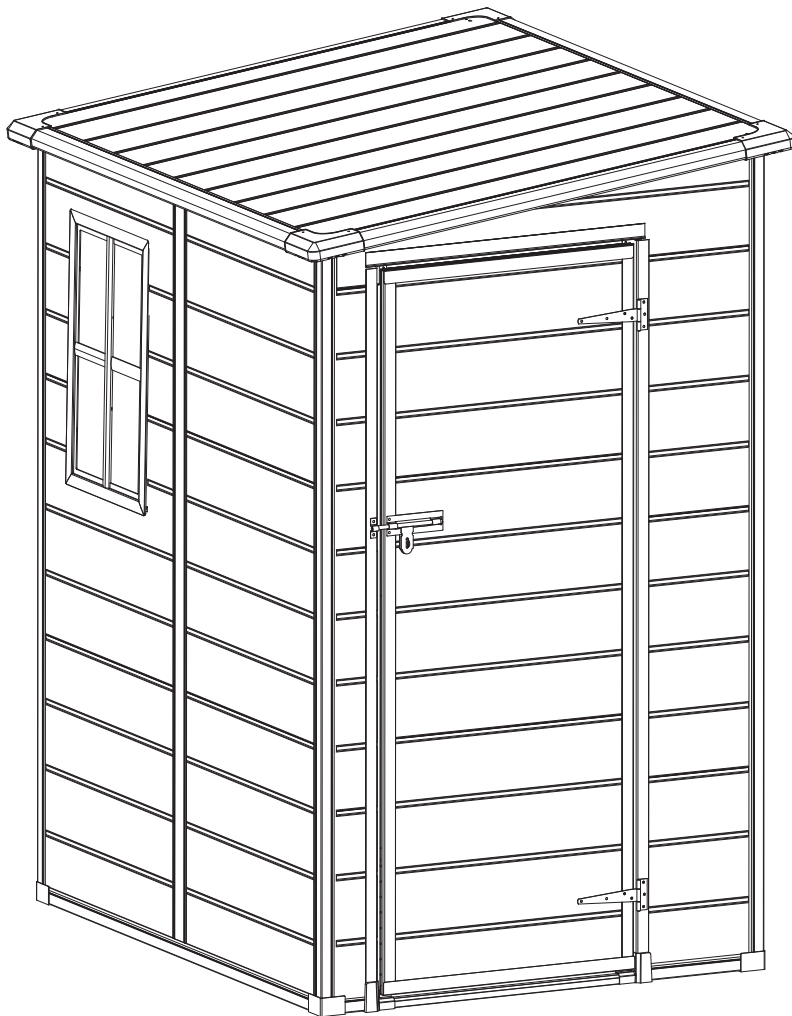


PLASTIC GARDEN SHED 5x4FT

Instructions for Assembly



WARNING

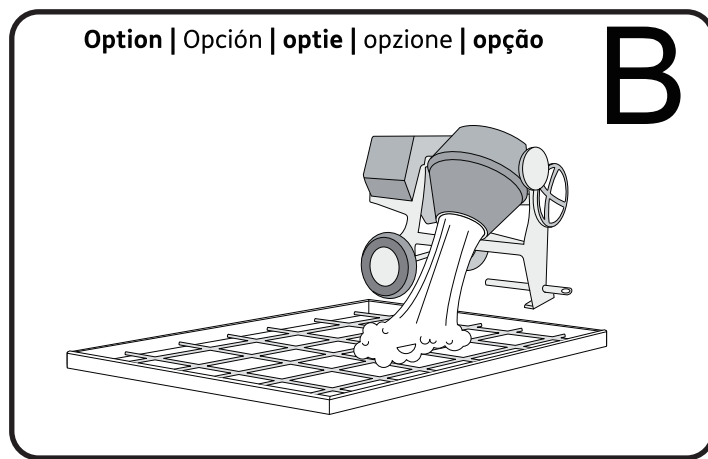
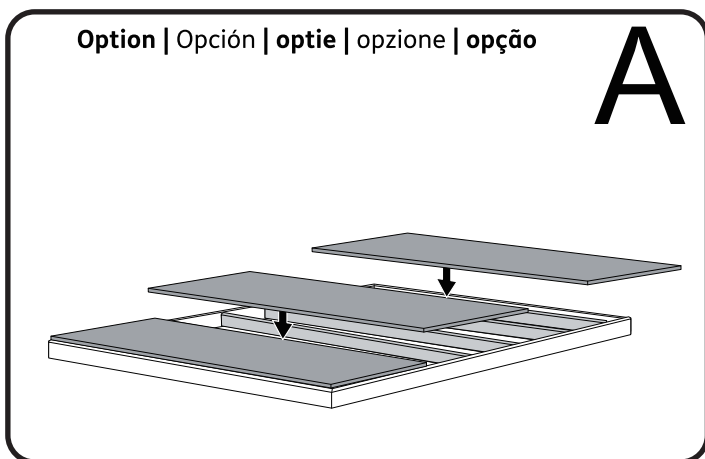
Please read the instruction manual carefully before assembly.
Please assembly strictly in accordance with the instruction.
Please double-check to ensure that all parts of the package contents intact.
To avoid injury, work gloves are recommended during assembly.

SITE PREPARATION | PRÉPARATION DU SITE | PREPARACIÓN DEL LUGAR | VORBEREITUNG DES AUFSTELLUNGORTES | VOORBEREIDING VAN HET TERREIN | PREPARAZIONE DEL LUOGO DI ASSEMBLAGGIO | PREPARAÇÃO DO LOCAL

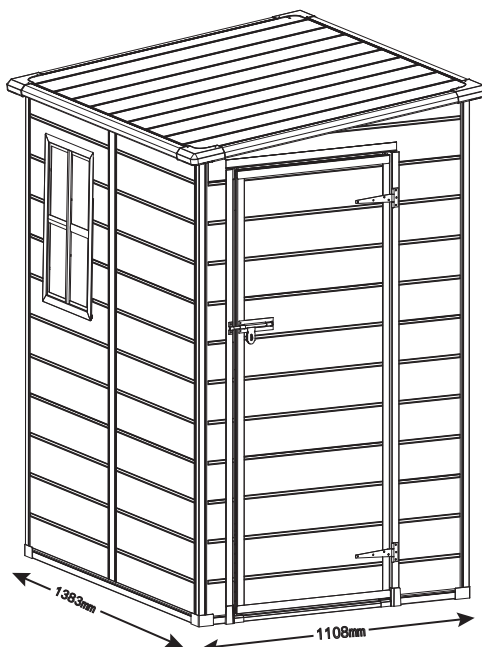
Level the ground surface | Nivelez la surface du sol | Nivèle la superficie del suelo | Ebenen Sie die Bodenoberfläche | Maak de bodem vlak | Livellare la superficie del terreno | Nivèle a superfície do solo



Recommendation: Construct a wooden or concrete base as a foundation | Recommandation: fabriquez une base en bois ou en béton en guise de fondation | Recomendación: construya una base de madera o de cemento a modo de cimiento | Empfehlung: Bauen Sie als Fundament eine Grundfläche aus Holz oder Beton | Aanbeveling: maak een houten of betonnen ondergrond als fundering | Raccomandazione: Costruire una base di legno o di cemento come fondamenta | Recomendação: Construa uma base de madeira ou de cimento como fundação



External floor measurements are: | Les mesures externes de la étage sont: | Las medidas del suelo externo son: | Die Außen-Bodenmaße betragen: | De afmetingen van de externe vloer zijn: | Le dimensioni esterne del pavimento sono: | As medidas externas do chão são:



BEFORE STARTING ASSEMBLY | AVANT DE COMMENCER LE MONTAGE | ANTES DE EMPEZAR EL ARMADO | VOR MONTAGEBEGINN | VOORDAT U BEGINT TE MONTEREN | PRIMA DI INIZIARE L'ASSEMBLAGGIO | ANTES DE INICIAR A MONTAGEM

Read the care and safety guidelines at the end of this manual | Check to ensure that there are no missing or damaged parts BEFORE starting or arranging assembly | Remove all parts from the package(s) and spread them out on a clean work surface | Review all assembly instructions | Assemble all the parts according to the directions in this manual. Do not skip any steps.

Lisez les instructions de précaution et de sécurité à la fin de ce manuel | Assurez-vous qu'il n'y a pas de pièces manquantes ou endommagées AVANT de commencer ou d'organiser l'assemblage | Retirez toutes les pièces du/des paquet(s) et étalez-les sur une surface de travail propre | Lisez toutes les instructions de montage | Assemblez toutes les pièces selon les instructions de ce manuel. Ne sautez aucune étape.

Lea las instrucciones de precauciones y seguridad que están al final de este manual | Asegúrese de que no faltan piezas ni están dañadas ANTES de comenzar o disponer el montaje | Saque todas las piezas del paquete o paquetes y póngalas sobre una superficie de trabajo limpia | Revise todas las instrucciones de montaje | Monte todas las piezas según las instrucciones de este manual. No se saltee ningún paso.

Lesen Sie die Sicherheitsrichtlinien am Ende des Benutzerhandbuchs durch | Prüfen Sie bitte VOR dem Zusammenbau, dass keine Teile beschädigt sind oder fehlen | Nehmen Sie alle Teile aus der Verpackung und breiten Sie sie auf einer sauberen Arbeitsfläche aus | Gehen Sie noch einmal die komplette Aufbauanleitung durch | Bauen Sie alle Teile entsprechend der Anleitung in diesem Handbuch zusammen. Lassen Sie dabei keinen Arbeitsschritt aus.

Lees de richtlijnen voor zorg en veiligheid achterin deze handleiding | Controleer dat er geen onderdelen mankeren, of beschadigd zijn, VOORDAT u met de montage begint | Haal alle onderdelen uit het pakket (of uit de pakketten) en leg ze opeen schoon werkoppervlak | Bekijk alle montagehandleidingen | Monteer alle onderdelen volgens de aanwijzingen van deze handleiding. Sla geen stappen over.

Leggere le linee guida di assistenza e sicurezza alla fine di questo manuale | Assicurarsi che non ci siano parti mancanti o danneggiate PRIMA di iniziare l'assemblaggio | Estrarre tutti i componenti dall'imballo e posizzarli su una superficie di lavoro pulita | Consultare tutte le istruzioni di montaggio | Assemblare tutti i componenti secondo le istruzioni contenute nel manuale. Non saltare nessuna fase.

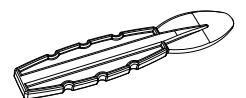
Leia as diretrizes de cuidados e segurança que constam da parte final deste manual | Verifique para se assegurar de que não há peças em falta ou danificadas ANTES de começar a preparar a montagem | Retire todas as peças da embalagem e espalhe-as numa superfície de trabalho limpa | Reveja todas as instruções de montagem | Monte todas as peças de acordo com as instruções do manual. Não salte quaisquer passos.

REQUIRED TOOLS | OUTILS EXIGÉS | HERRAMIENTAS NECESARIAS | BENÖTIGTE WERKZEUGE | BENODIGD GEREEDSCHAP | ATTREZZATURA OCCORRENTE | FERRAMENTAS NECESSÁRIAS



SPATULA | SPATULE | ESPÁTULA | SPACHTEL | SPATEL | SPATOLA | ESPÁTULA

- Use spatula (part "SG8") for easier insertion of panel into profile.
- Utilisez la spatule (partie "SG8") pour une meilleure insertion du panneau dans le profil.
- Utilice una espátula (pieza "SG8") para una mejor inserción del panel en el perfil.
- Benutzen Sie den Spachtel (Bezeichnung "SG8"), um die Platten leichter in die Nut einführen zu können.
- Gebruik spatel (onderdeel SG8) voor het gemakkelijk invoeren van het paneel in het profiel.
- Utilizzare la spatola (parte SG8) per inserire il pannello più facilmente nel profilo.
- Utilize uma espátula (peça "SG8") para facilitar a inserção do painel no perfil.









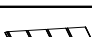
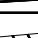
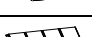









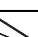









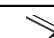










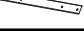




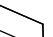
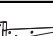


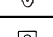
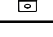








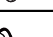
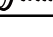


SG8 x2




ASSEMBLY REQUIRES TWO PEOPLE | LE MONTAGE DOIT ÊTRE EFFECTUÉ PAR DEUX PERSONNES | SE NECESITAN DOS PERSONAS PARA ARMARLO | ZWEI PERSONEN ZUR MONTAGE NOTWENDIG | MONTAGE VEREIST TWEE PERSONEN | L'ASSEMBLAGGIO RICHIEDE DUE PERSONE | A MONTAGEM EXIGE DUAS PESSOAS

PARTS LIST

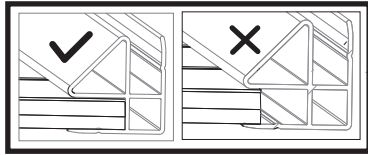
NO.	PART.	Qty.
BW1-1		9
BW1-2		1
BW1-3		1
BW1-4		1
BW1-5		2
BW2-1		1
BW3-1		2
BW3-2		1
BW4-1		2
BW4-2		1
BW5-1		2
BD1-1		1
BD1-2		1
BD1-3		1
BR2-1		1
BR2-2		1
BF2-1		1
BF2-2		1
BW5-2		1
BW6-1		1
BP1		1
BP2		2
BP3		2
BP4		2
BP5		1
BP10		2
BP7		2
BA3		1
BA1R		1
SG12		2
BR2-3		1

NO.	PART.	Qty.
BA1L		1
BA2R		1
BA2L		1
AA4		1
AS1		1
BPA1		1
BPA2		1
SG102		2
SG103		2
BP8		1
BP9		1
SG10		1
SG101		1
M01		2
M03-6L		1
M03-7		1
M04		1
SG2		4
SG6		4
SG7-2		1
SG7-1		1
SG8		2
SG9		3
Drill		1
Z410		76
Z420		109
ZW413		22
SG14		2
SG15		2
BS1		1
BF2-3		1

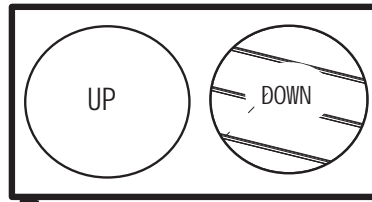
- Use spatula  (part"SG8") for easier insertion of panel into profile
- Please ensure the panels are all installed on position before screwing



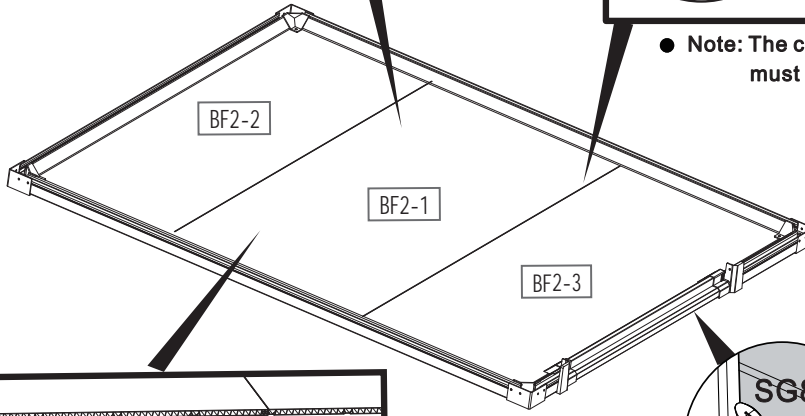
FLOOR ASSEMBLY



● Fully fit the panel inside the profile



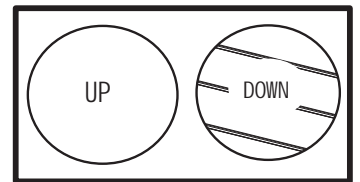
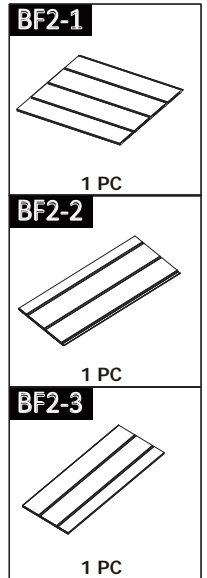
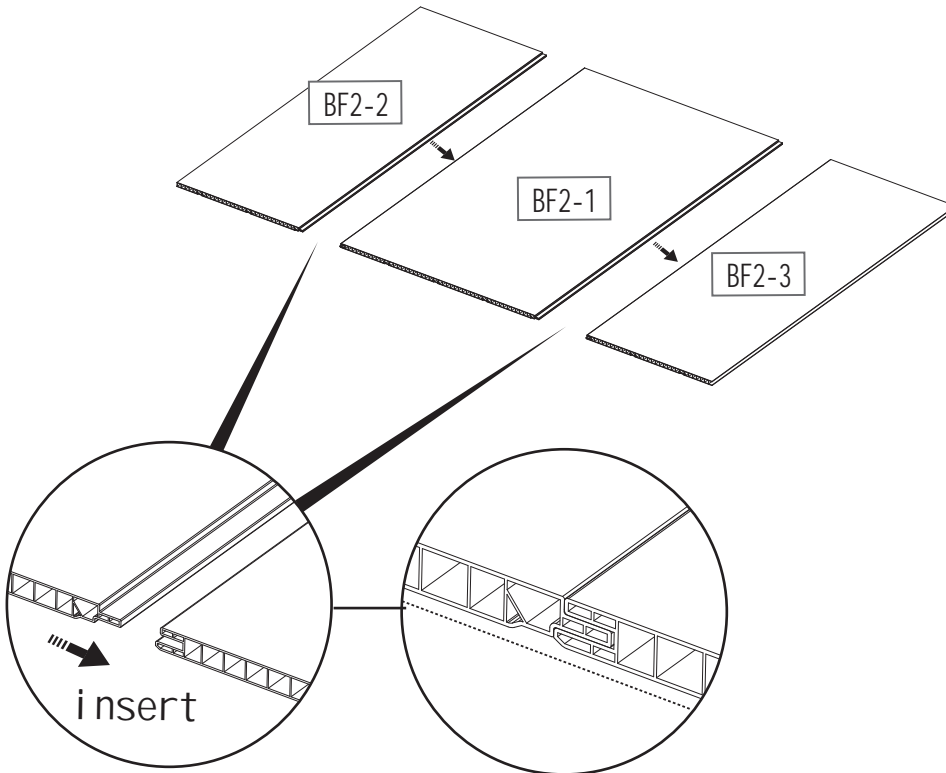
● Note: The crease line of the floor must be underneath



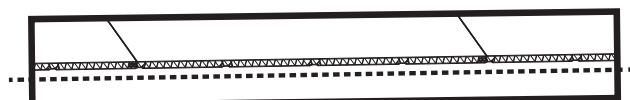
● The floor panels must be straight

● Use spatula (part "SG8") for easier insertion of panel into profile

Step 1

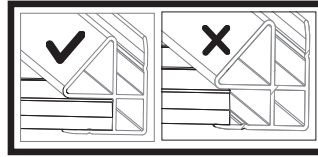


● Grain should be down

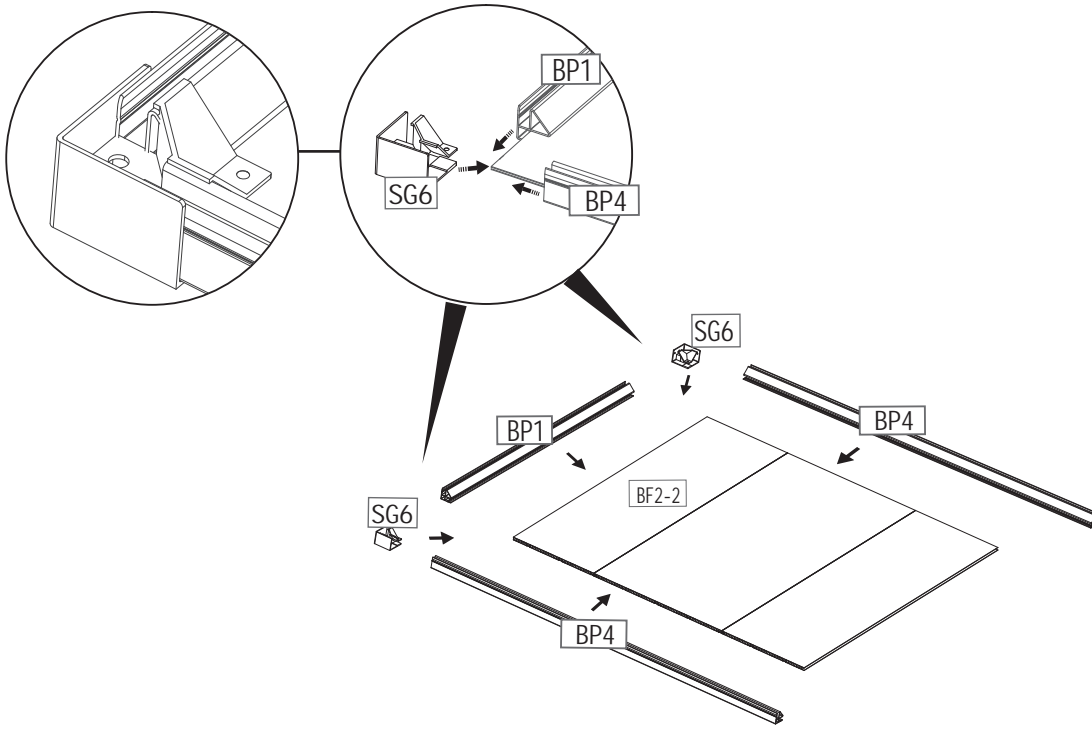
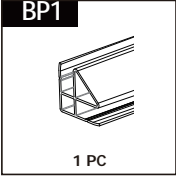
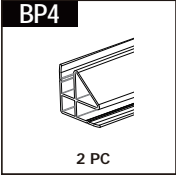
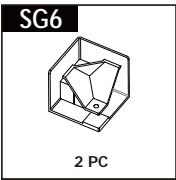
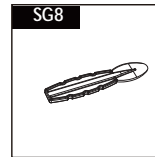


● Panels are in a straight line after installation.

Step 2

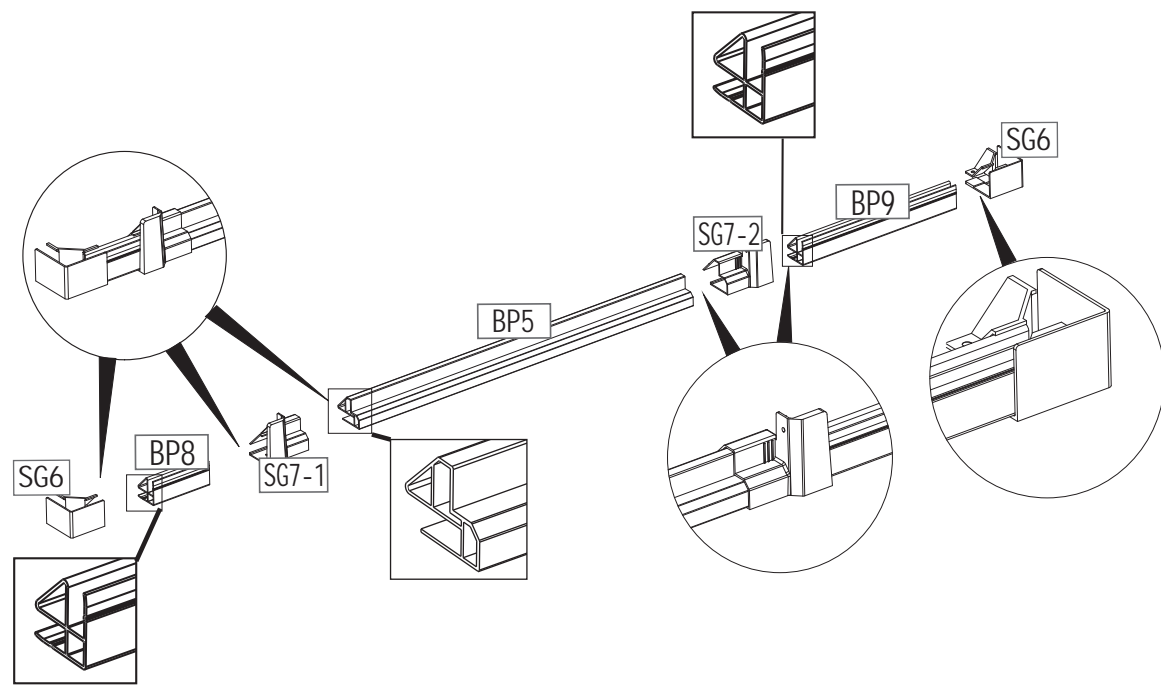


● Fully fit the panel inside the profile

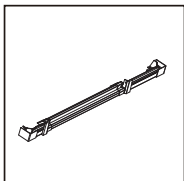
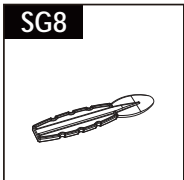
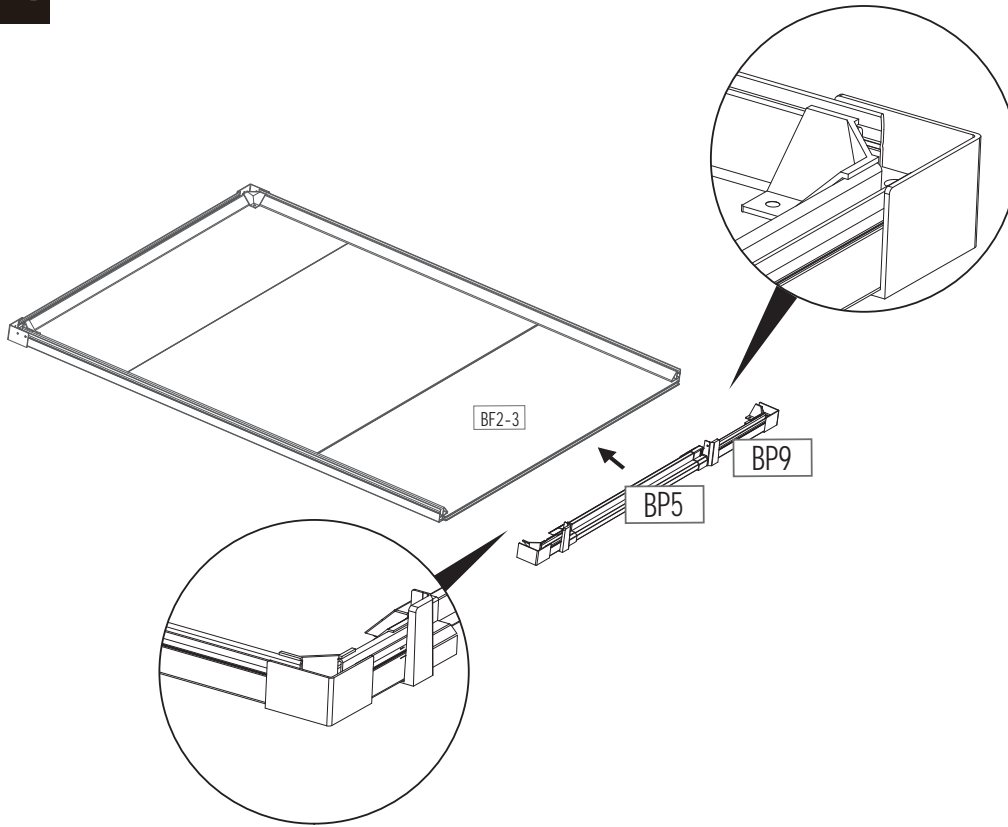


Step 3

SG6	BP9	BP5	BP8	SG7-1	SG7-2
2 PC	1 PC	1 PC	1 PC	1 PC	1 PC

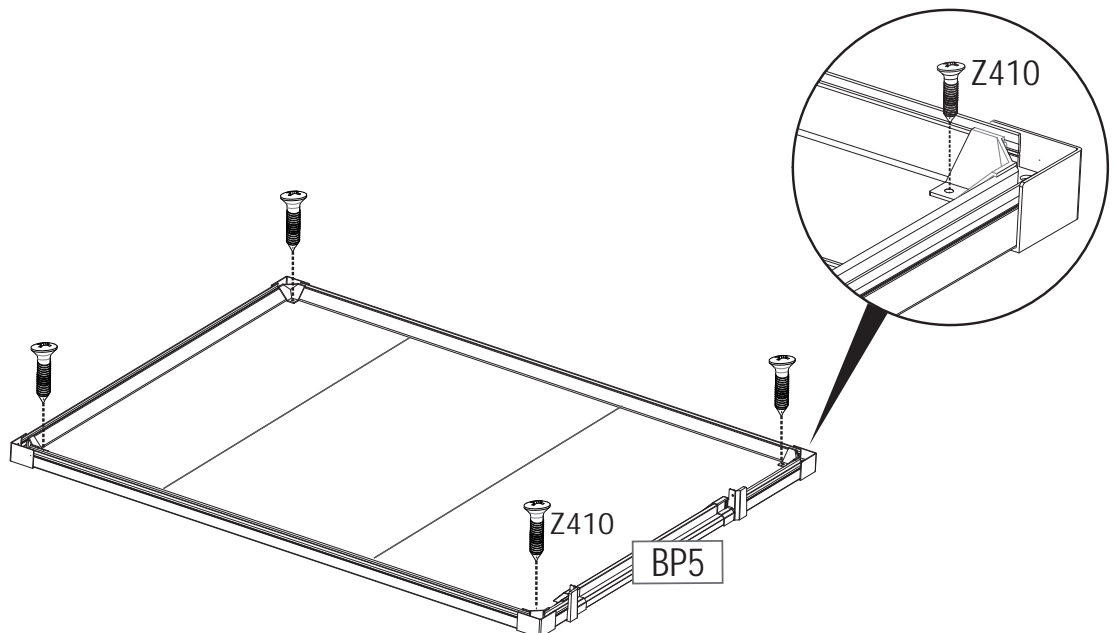
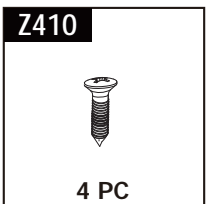
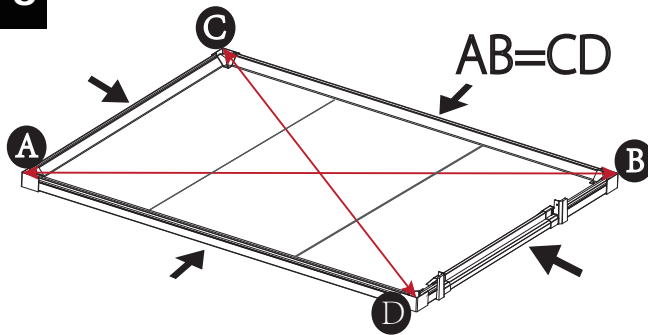


Step 4

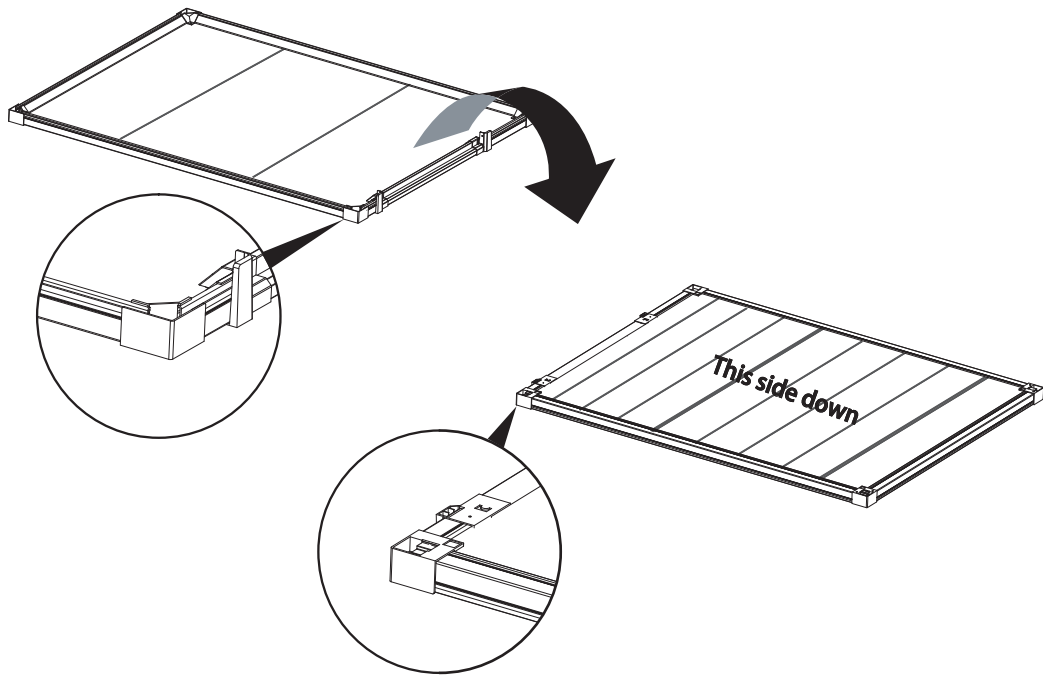


● Use spatula  (part "SG8") for easier insertion of panel into profile

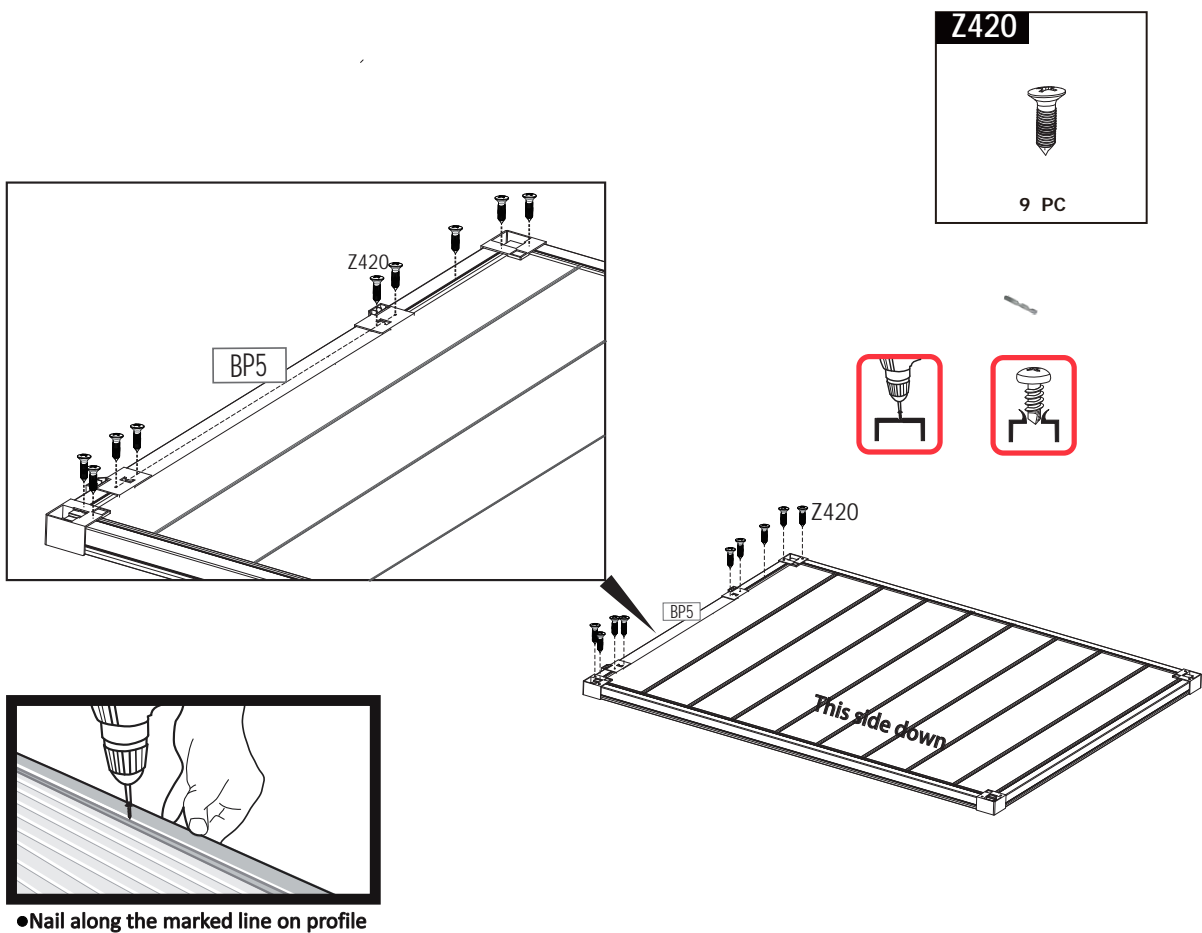
Step 5



Step 6

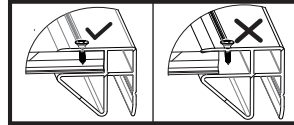


Step 7

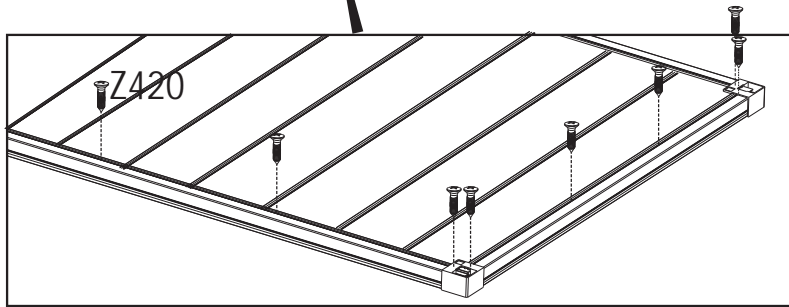
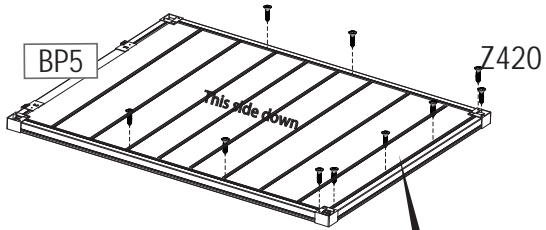
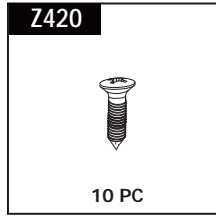


●Nail along the marked line on profile

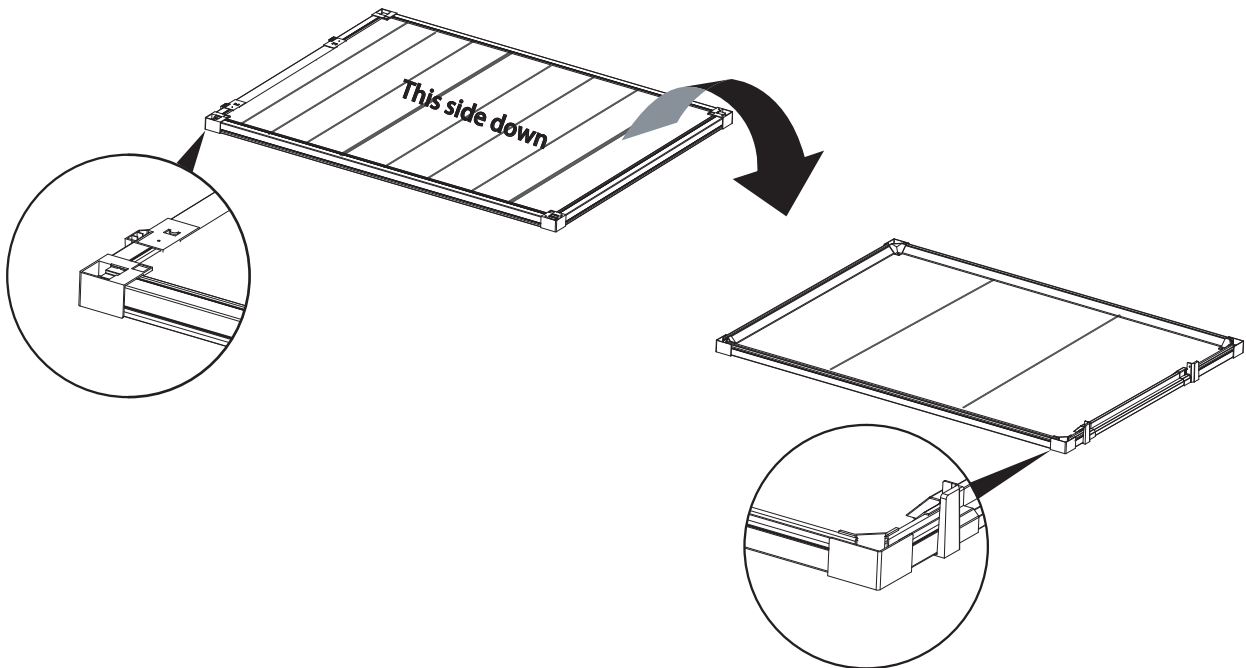
Step 8



● Nail along the marked line on profile.



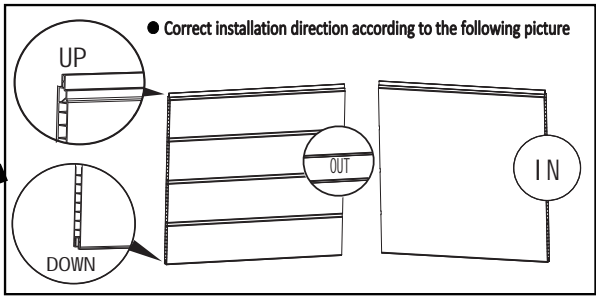
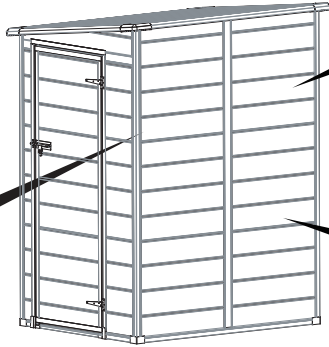
Step 9



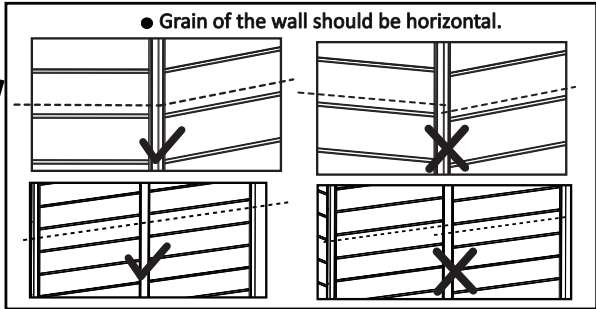
FLOOR ASSEMBLY



● Use spatula (part "SG8") for easier insertion of panel into profile.

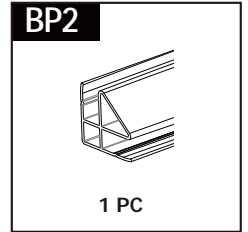
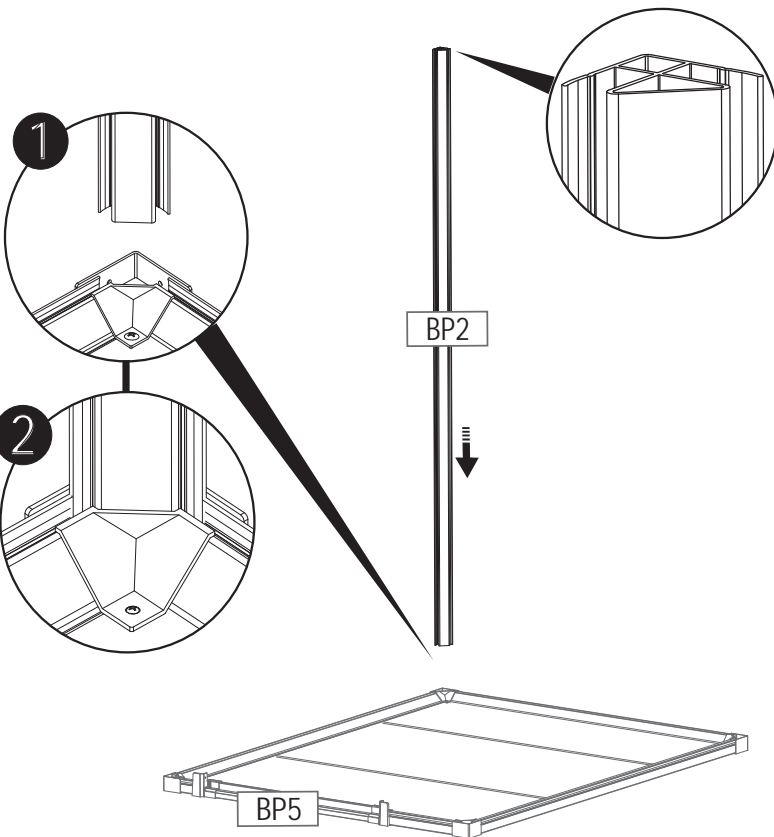


● Correct installation direction according to the following picture

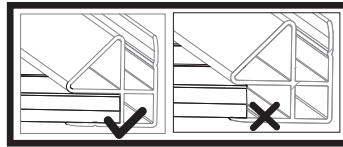


● Grain of the wall should be horizontal.

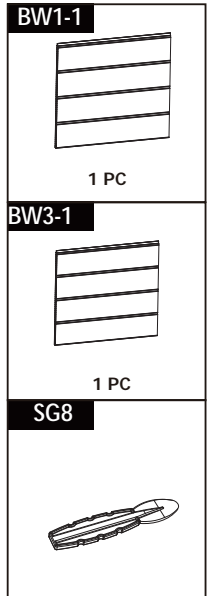
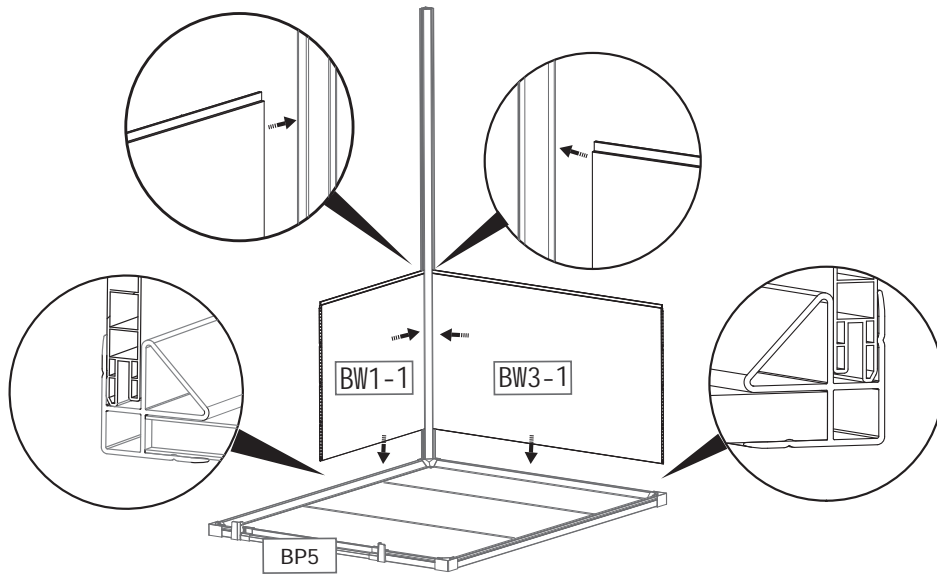
Step 10



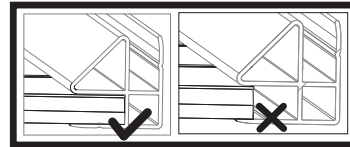
Step 11



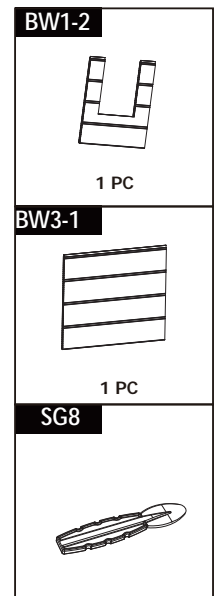
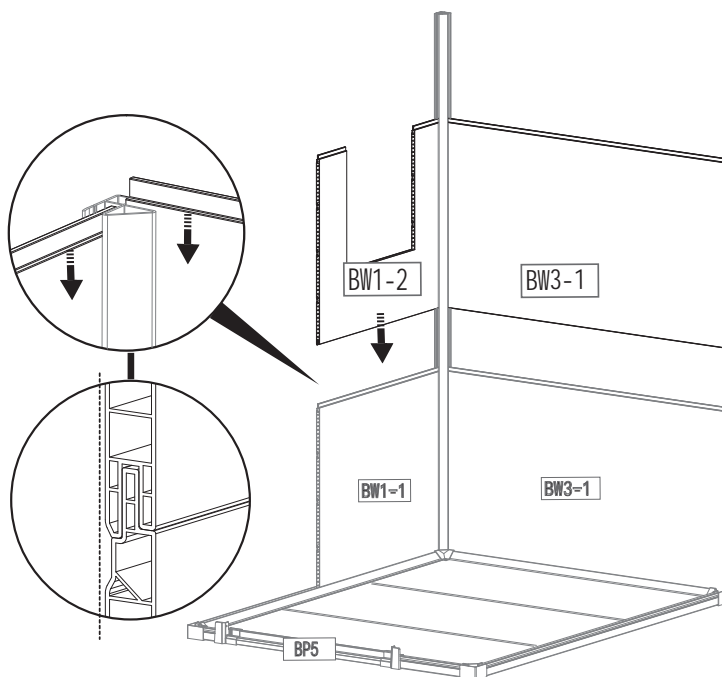
● Fully fit the panel inside the profile



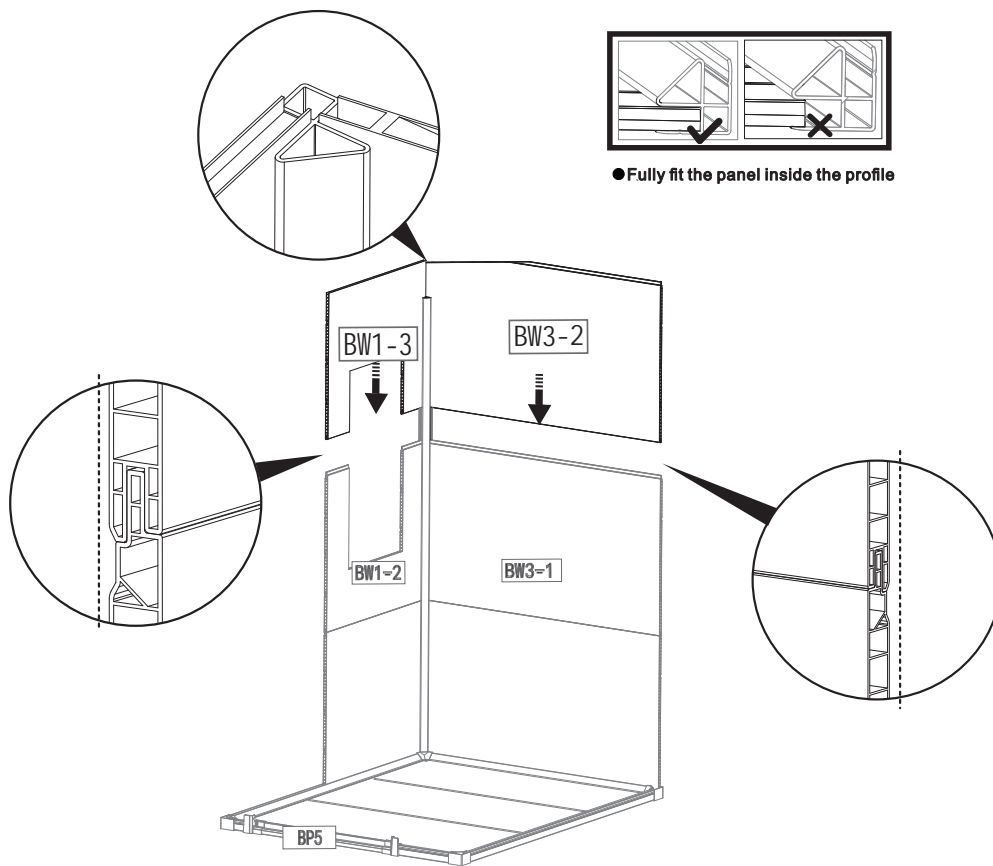
Step 12



● Fully fit the panel inside the profile



Step 13

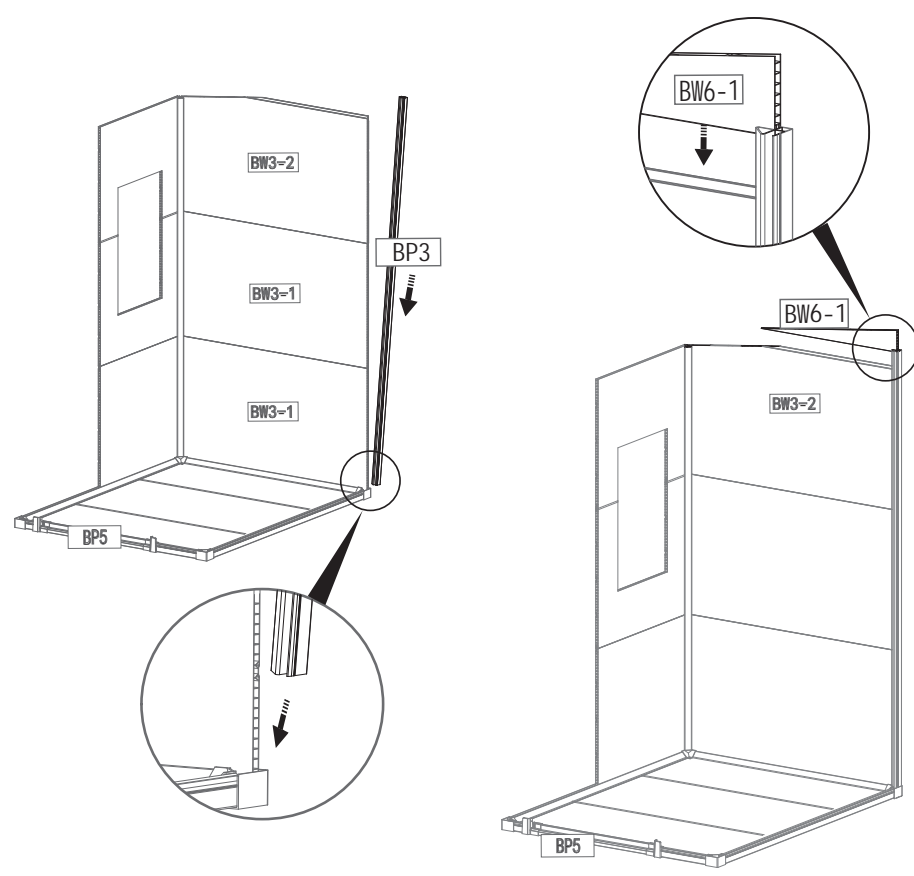


- BW1-3**

1 PC
- BW3-2**

1 PC
- SG8**

Step 14

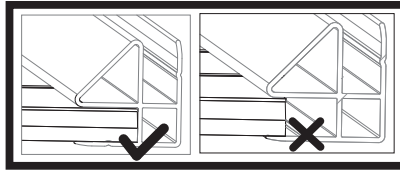


- BP3**

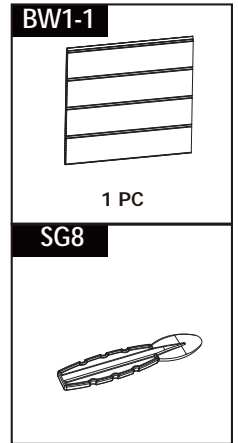
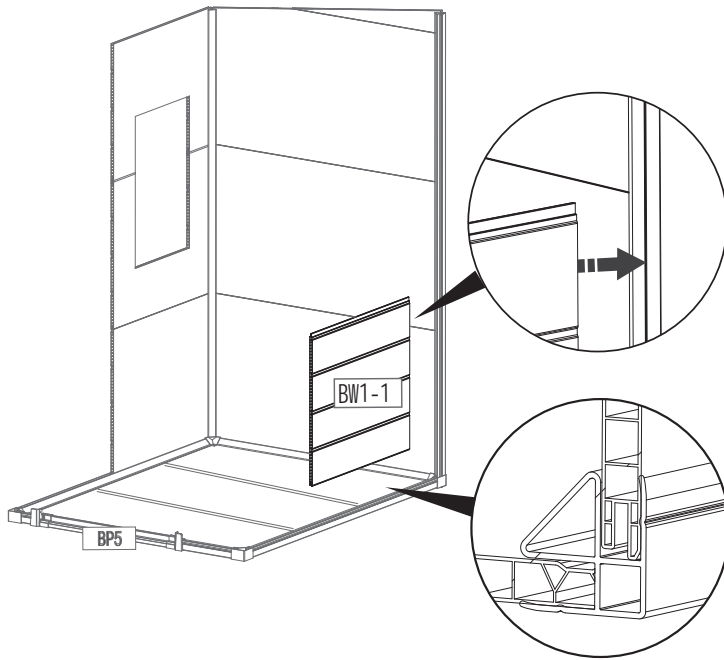
1 PC
- BW6-1**

1 PC
- SG8**

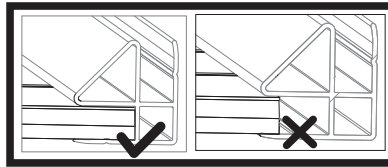
Step 15



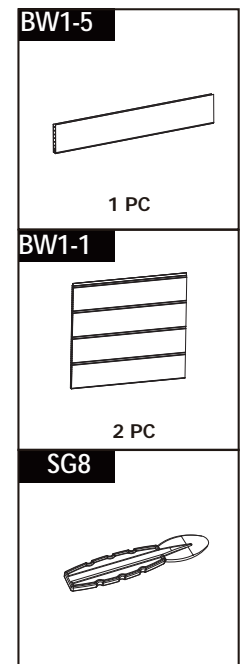
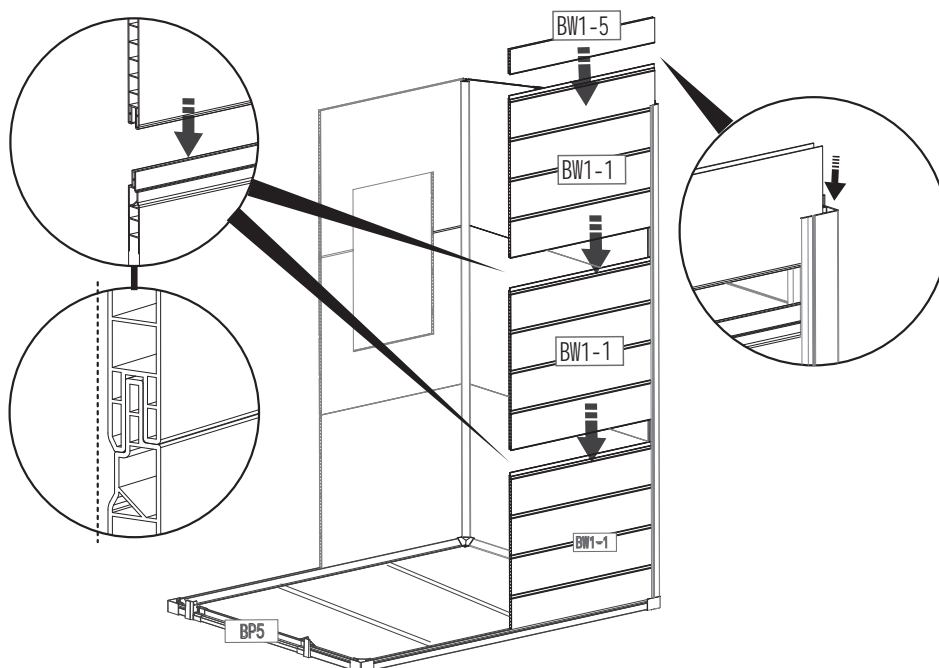
● Fully fit the panel inside the profile



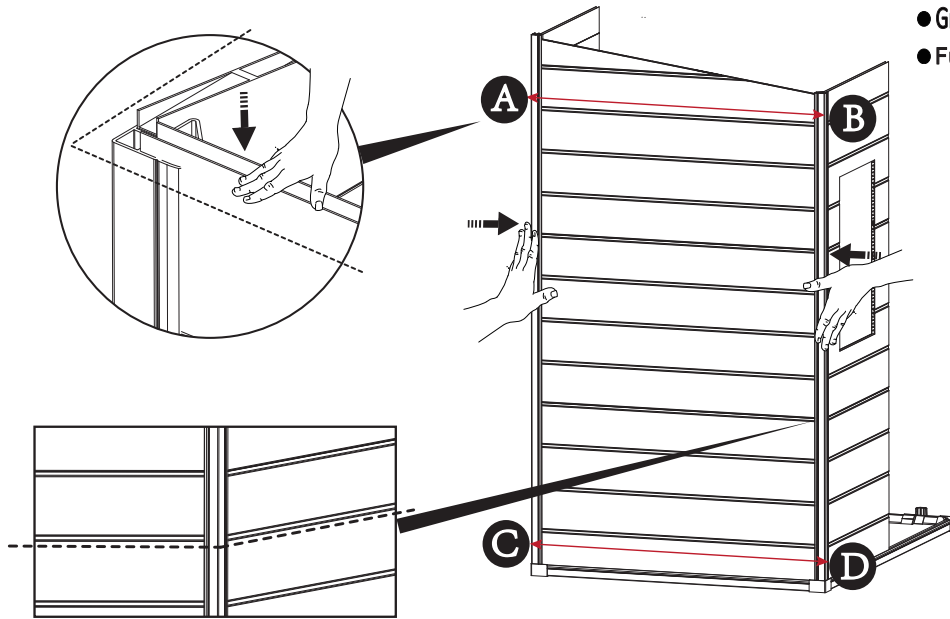
Step 16



● Fully fit the panel inside the profile



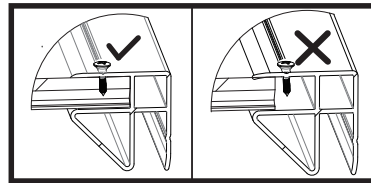
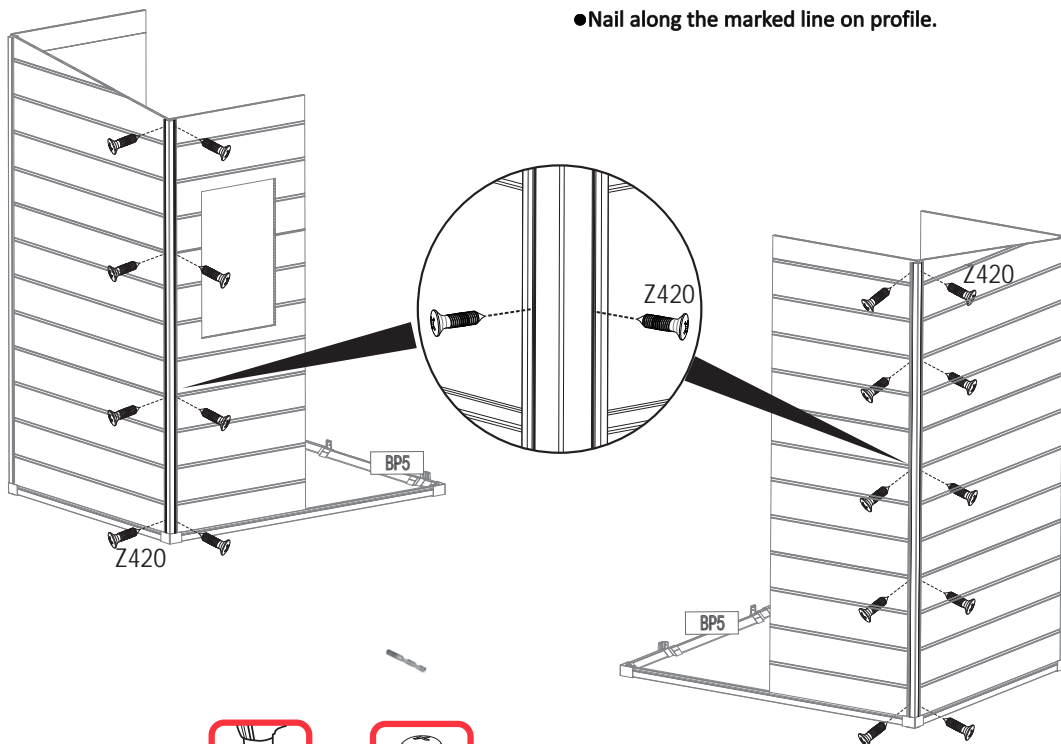
Step 17



- Ensure AB equal to CD before nailing.
- Grain of the wall should be horizontal.
- Fully fit the panel inside the profile.



Step 18



● Nail along the marked line on profile.

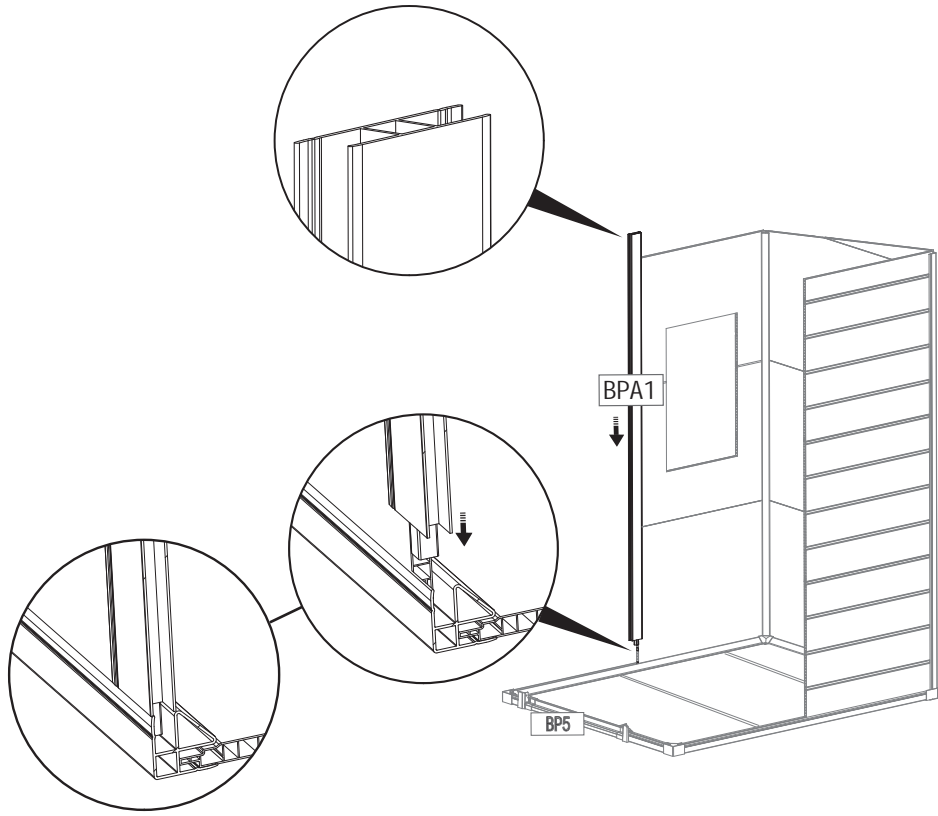
Z420



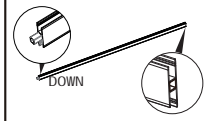
18 PC



Step 19



BPA1

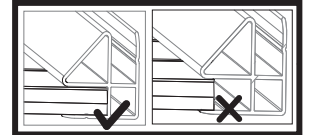
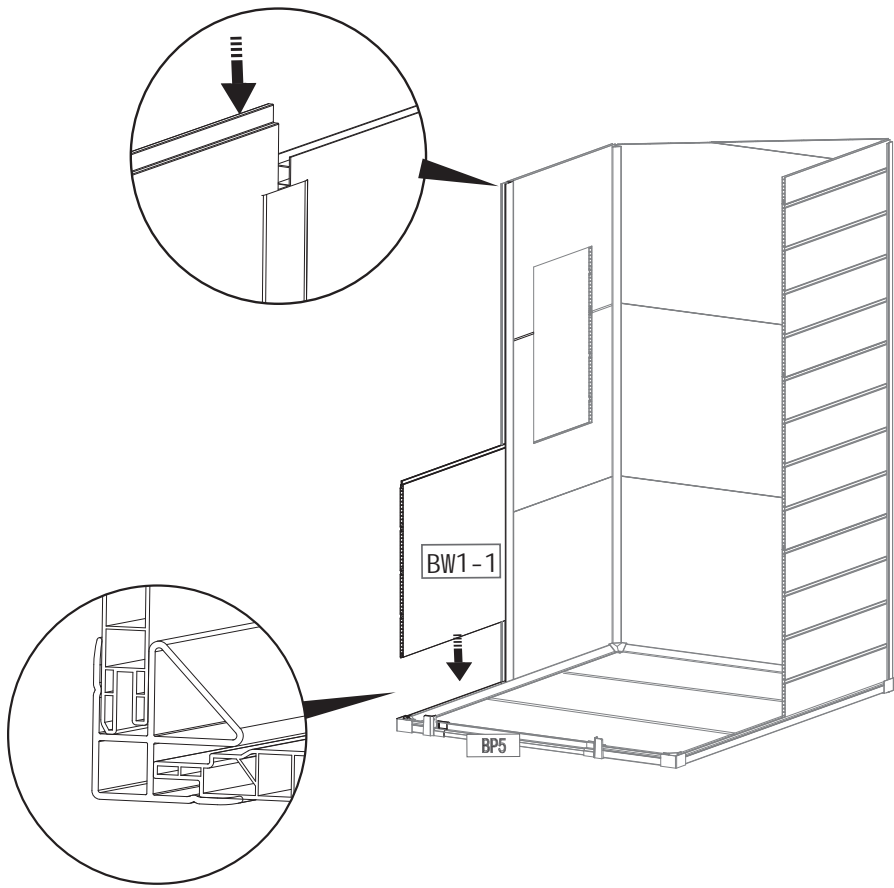


1 PC

SG8

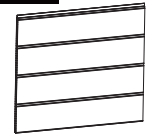


Step 20



● Fully fit the panel inside the profile

BW1-1

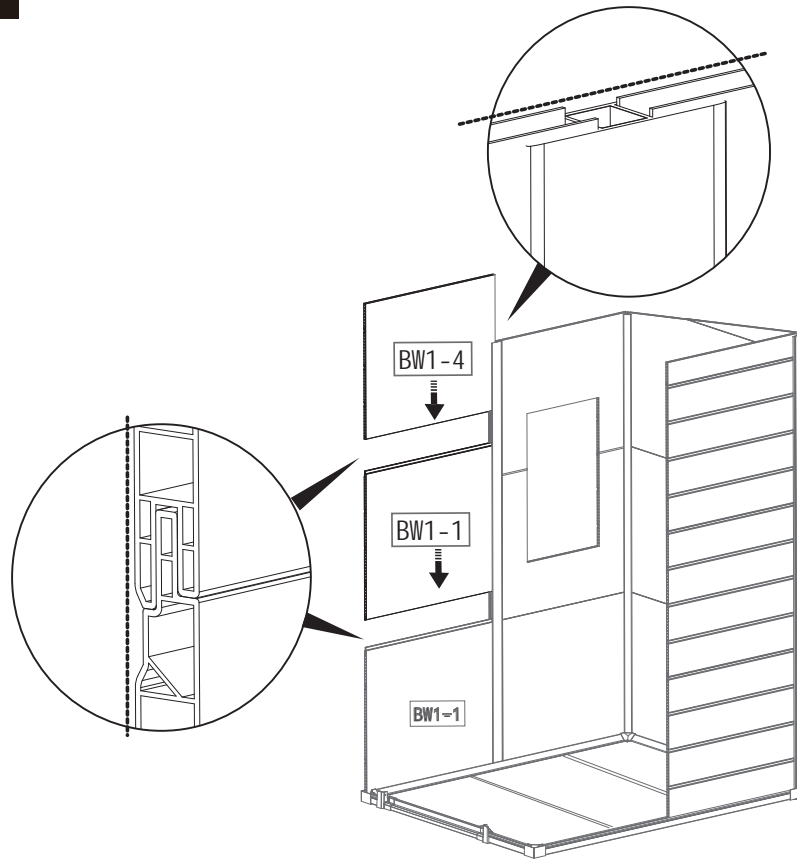


1 PC

SG8



Step 21

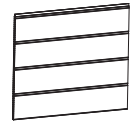


BW1-4



1 PC

BW1-1

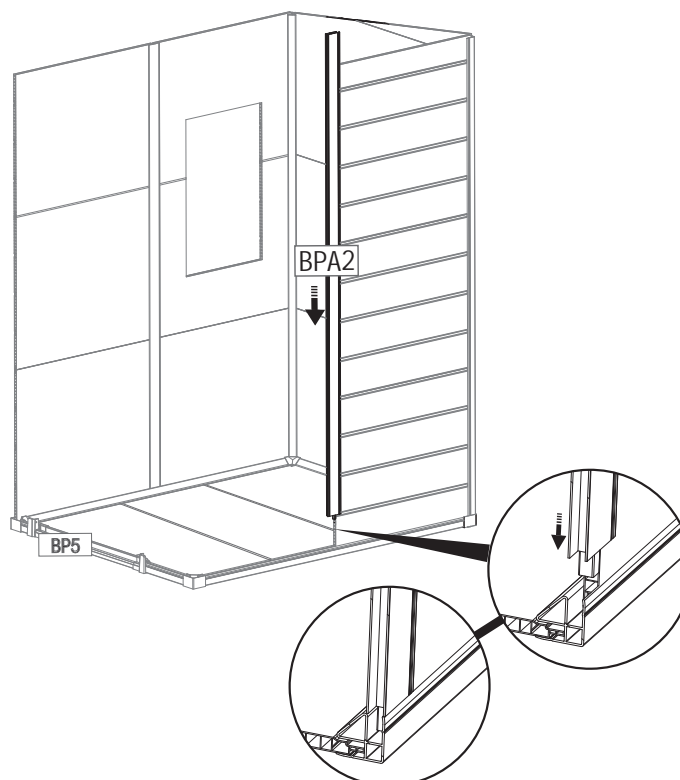


1 PC

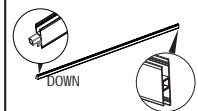
SG8



Step 22



BPA2

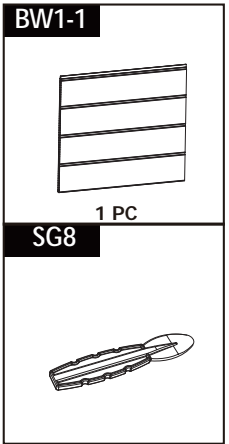
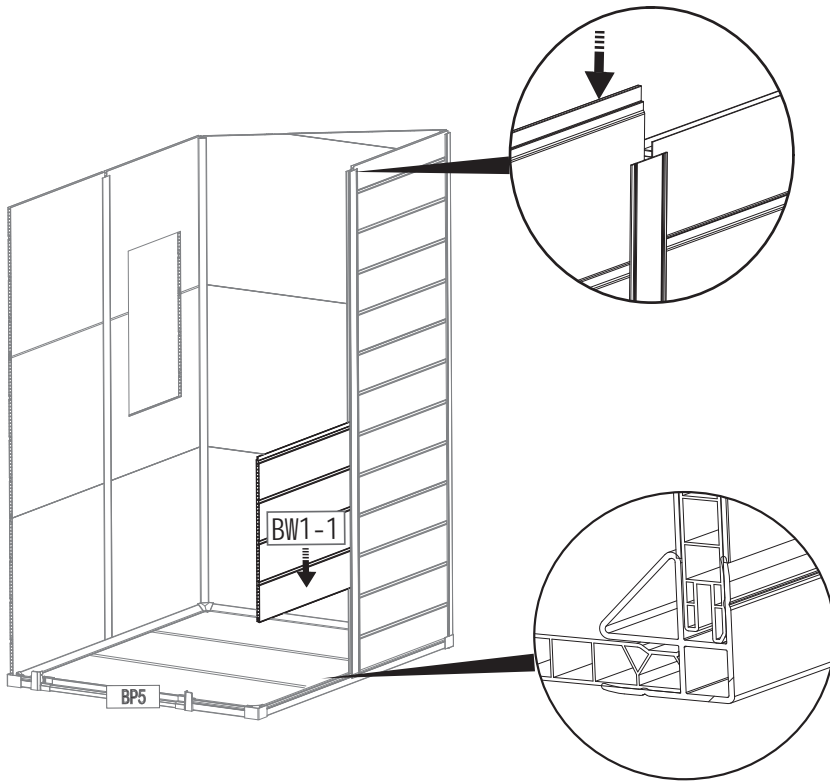


1 PC

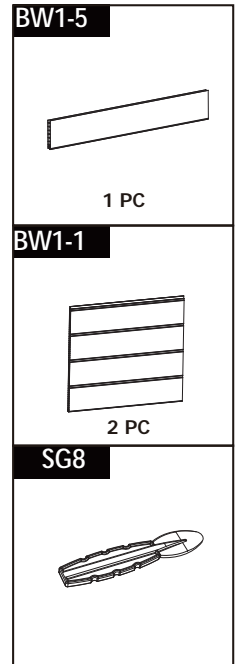
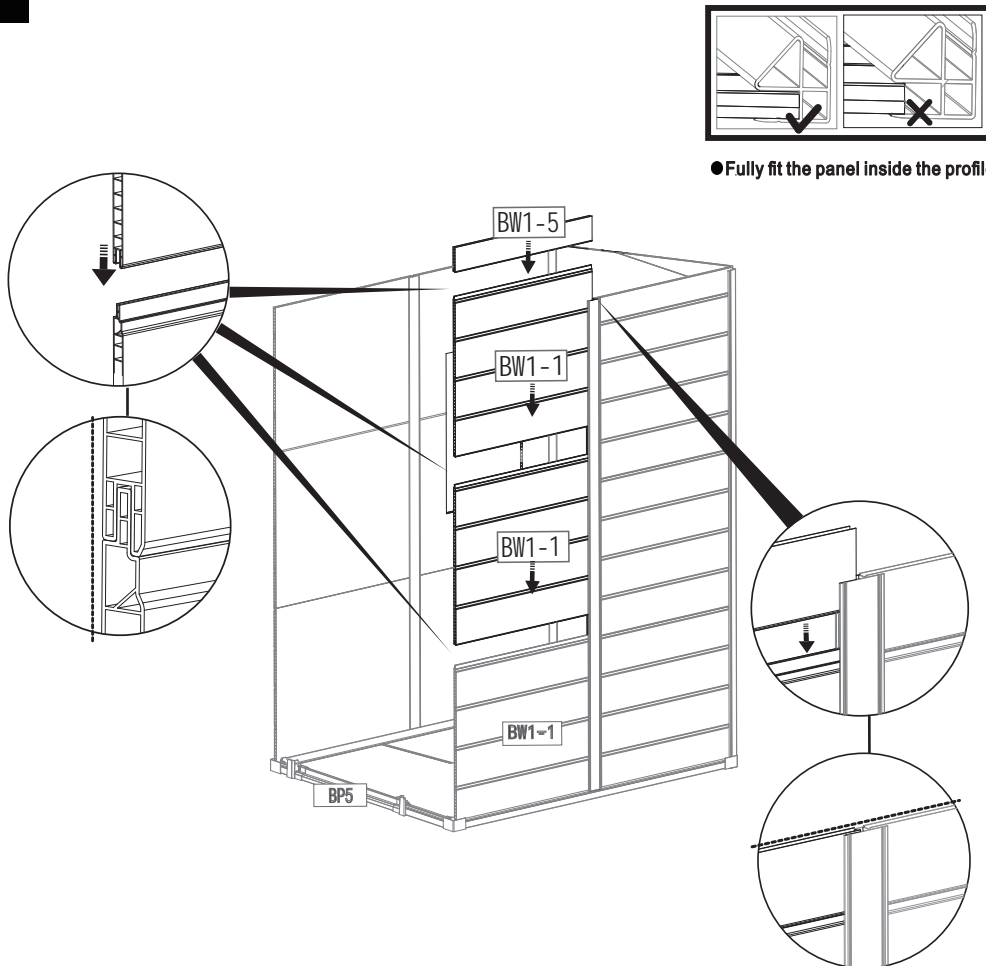
SG8



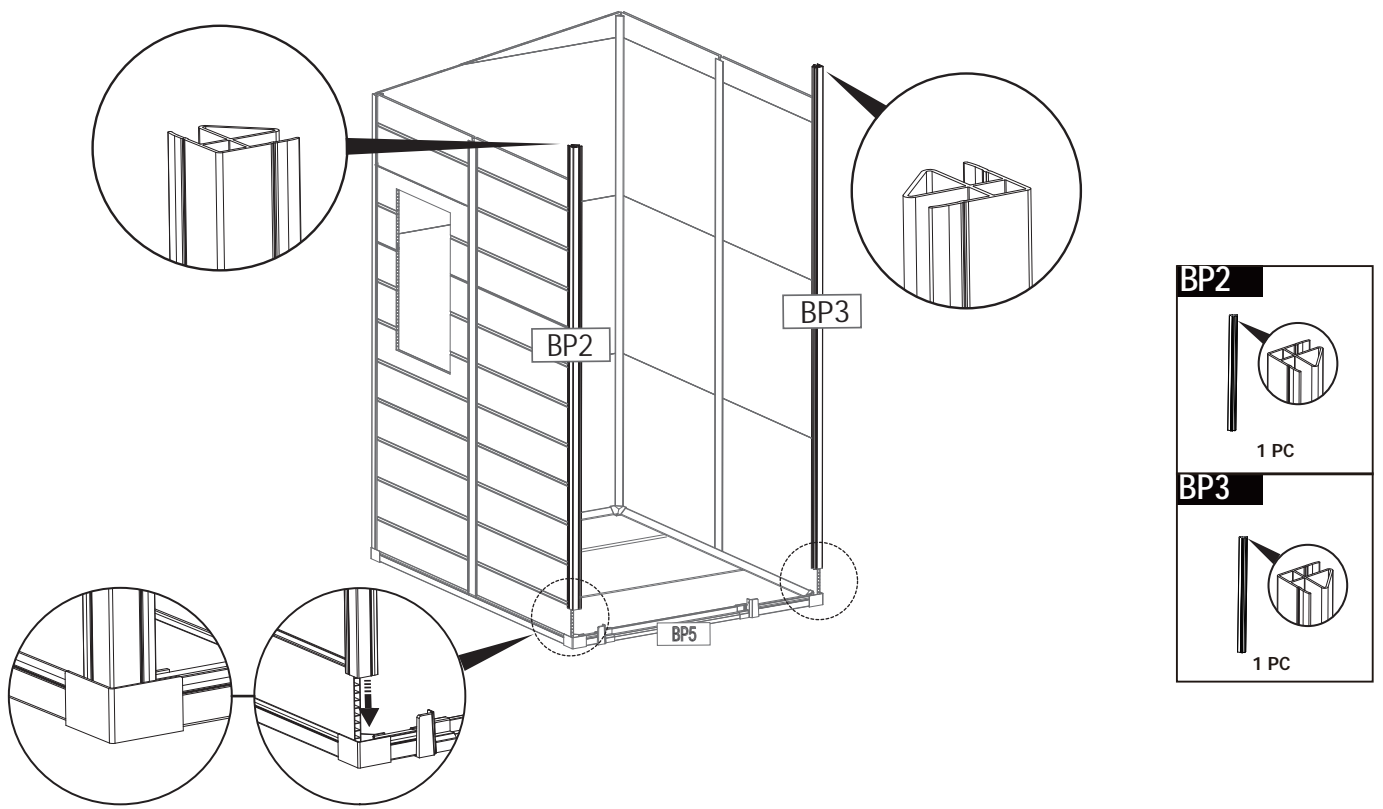
Step 23



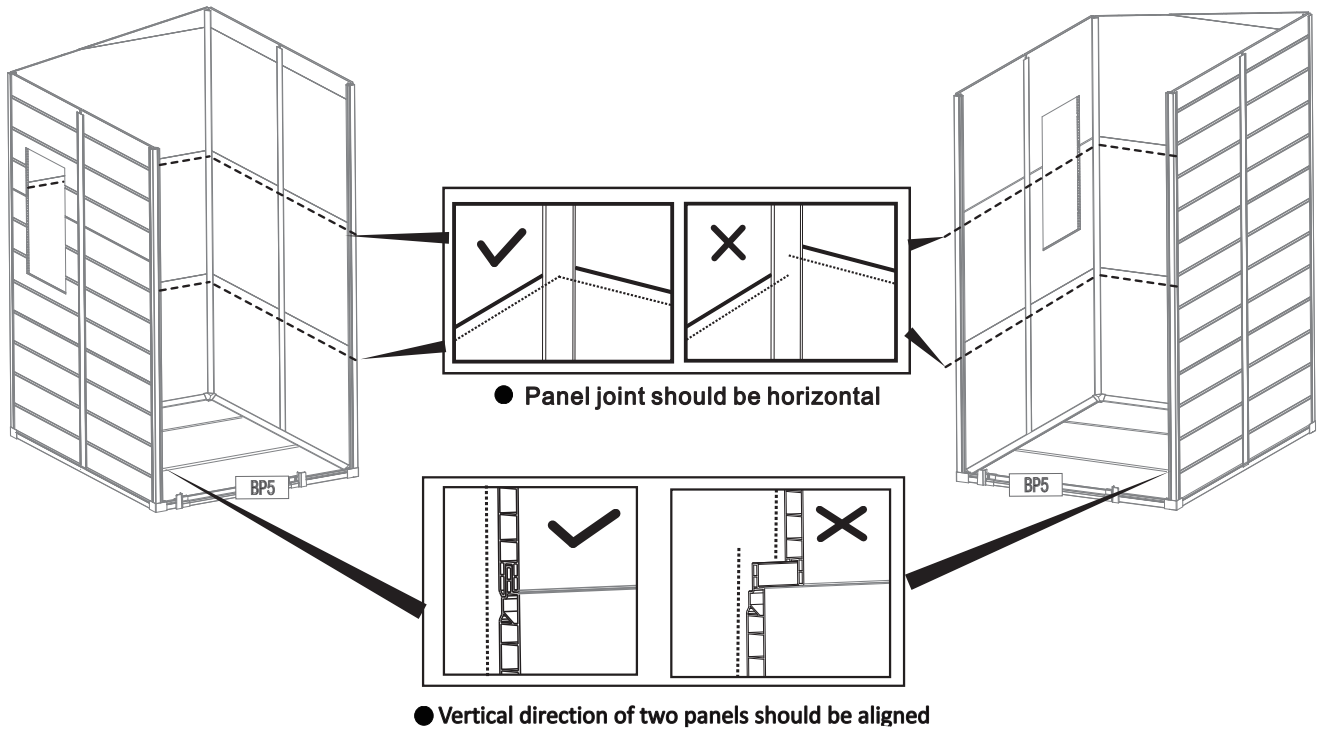
Step 24



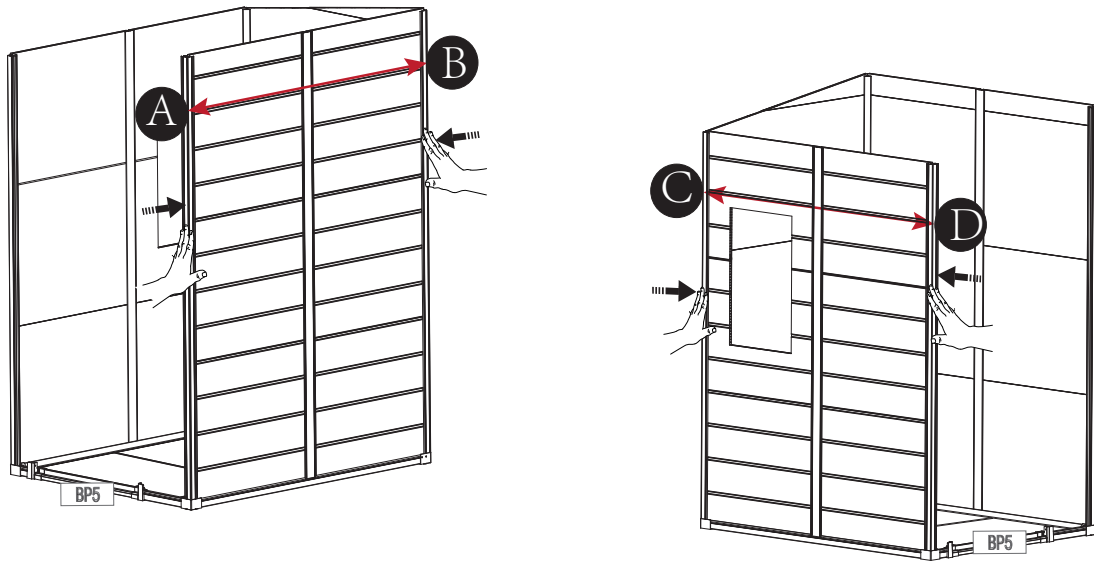
Step 25



Step 26



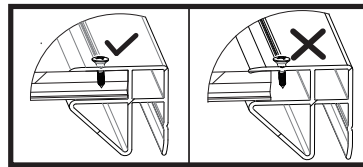
Step 27



● Make sure $AB=CD$

Step 28

● Screw when the boards are in position

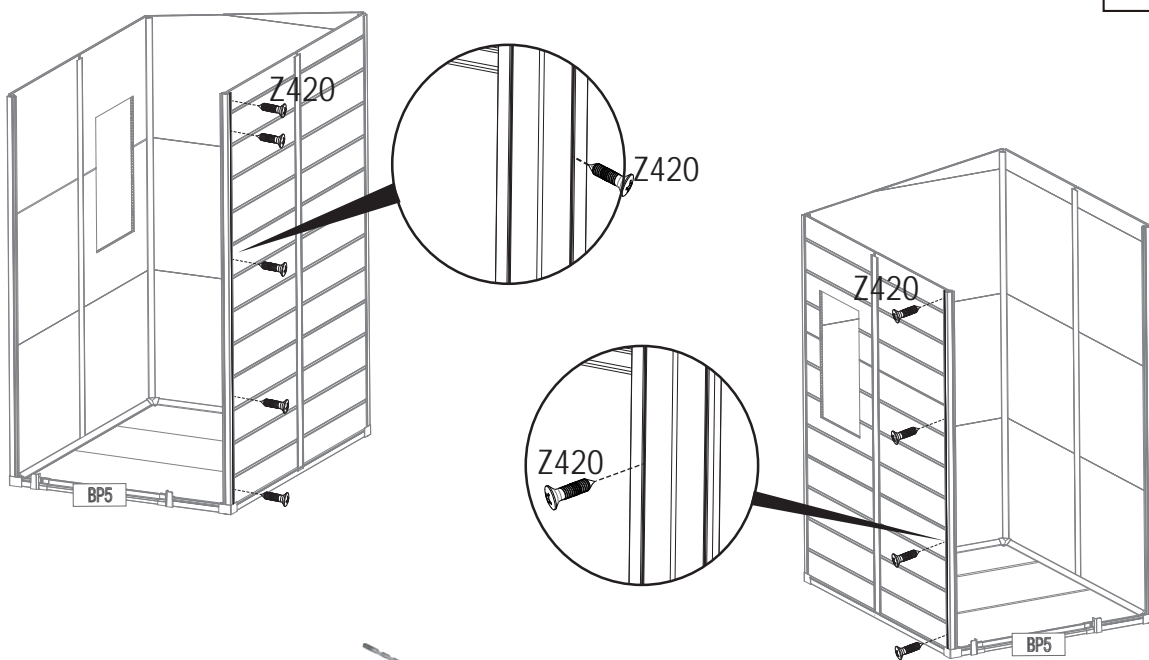


● Nail along the marked line on profile.

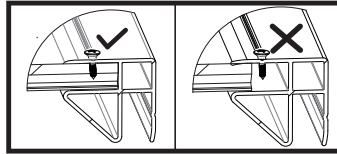
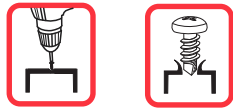
Z420



9 PC



Step 29

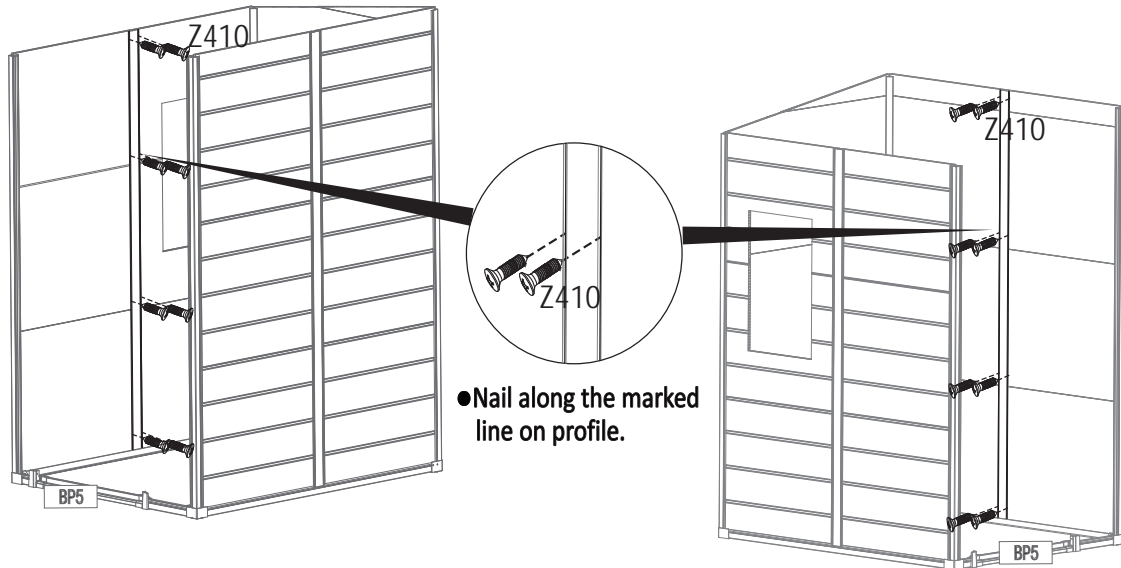


● Nail along the marked line on profile.

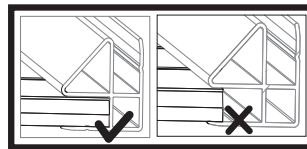
Z410



16 PC



Step 30



● Fully fit the panel inside the profile

BW4-2



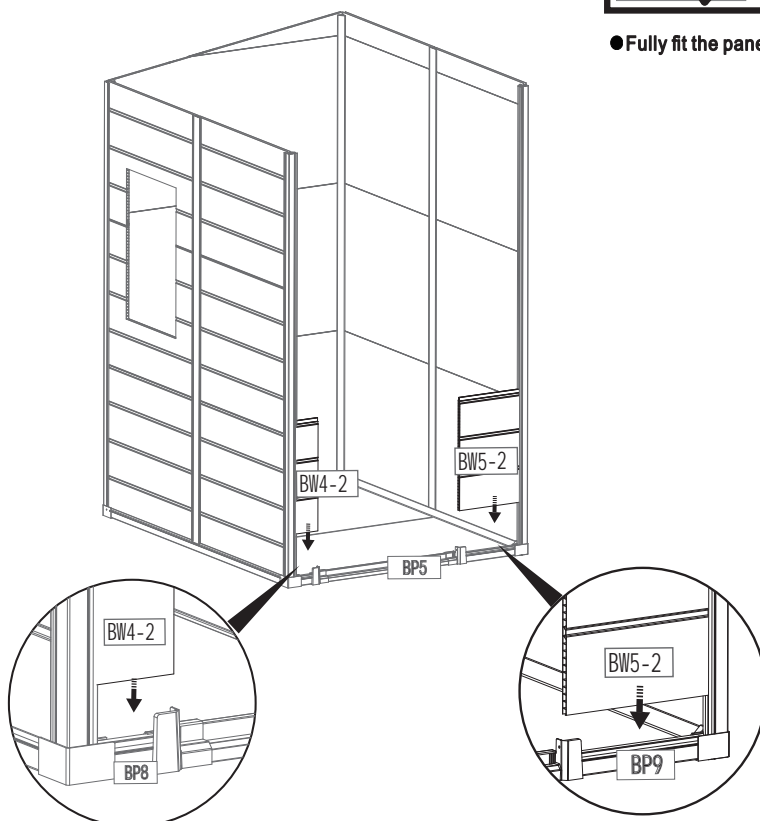
1 PC

BW5-2

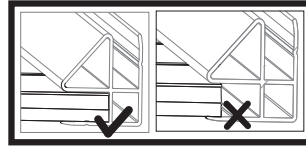


1 PC

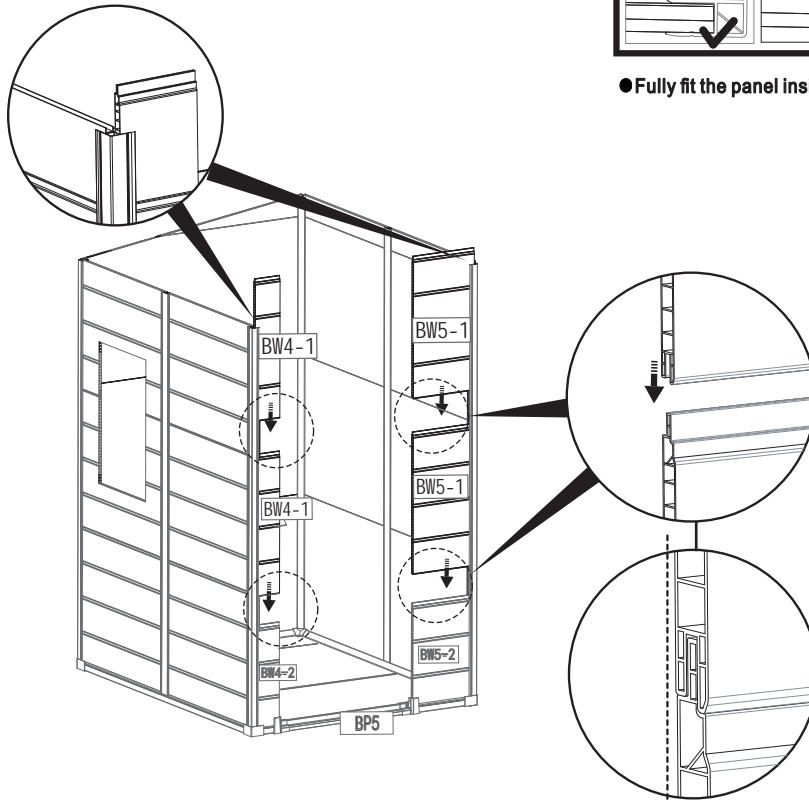
SG8



Step 31



● Fully fit the panel inside the profile



BW4-1



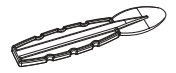
2 PC

BW5-1

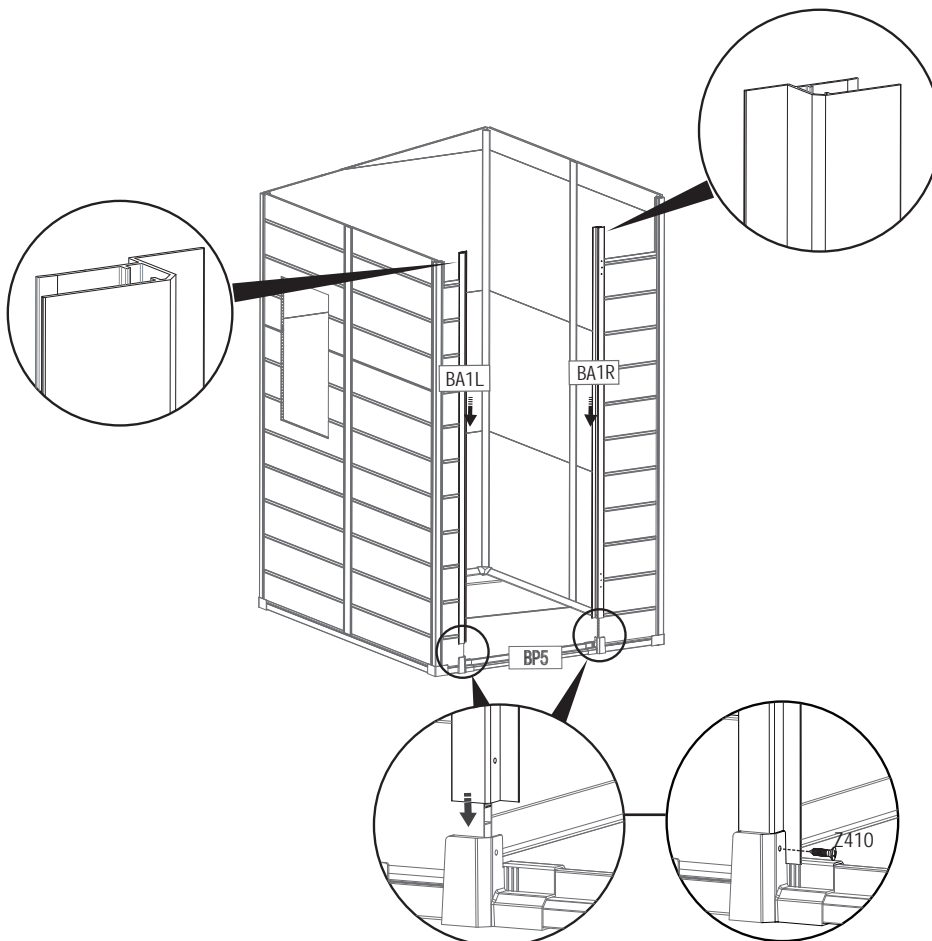


2 PC

SG8



Step 32

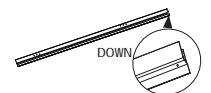


BA1L



1 PC

BA1R



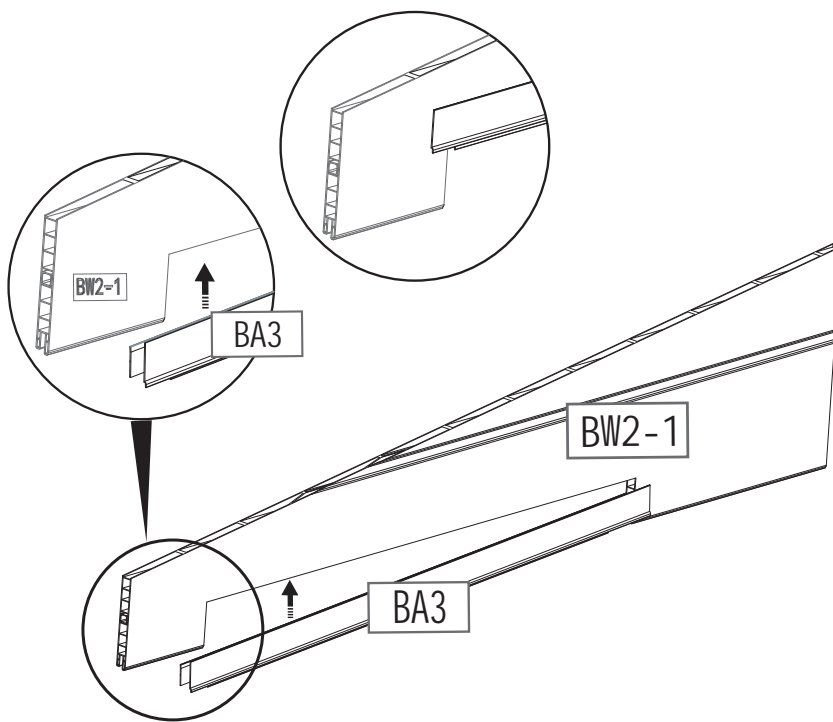
1 PC

Z410



2 PC

Step 33



BW2-1



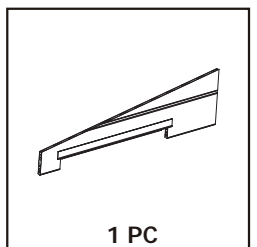
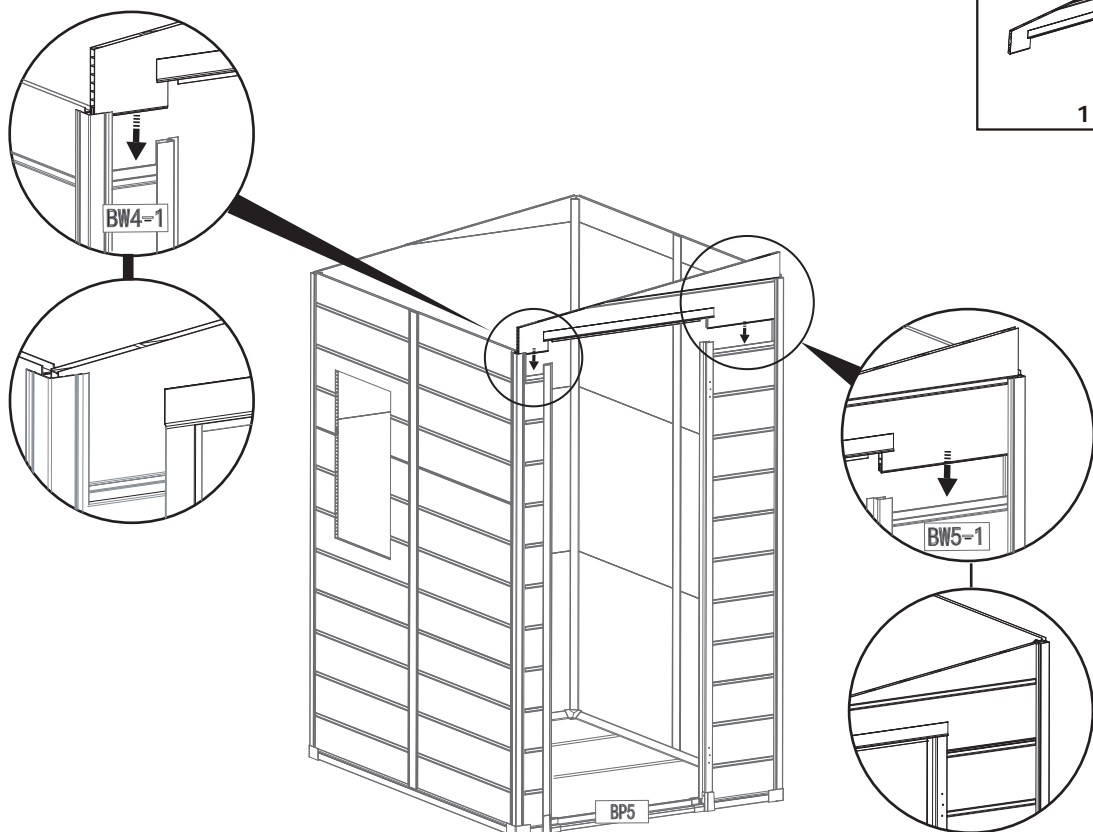
1 PC

BA3



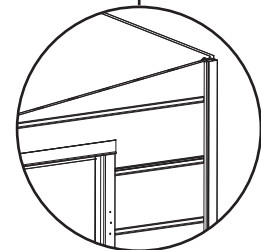
1 PC

Step 34

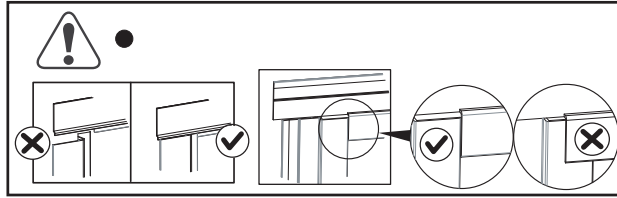


1 PC

BW5-1



Step 35



SG12

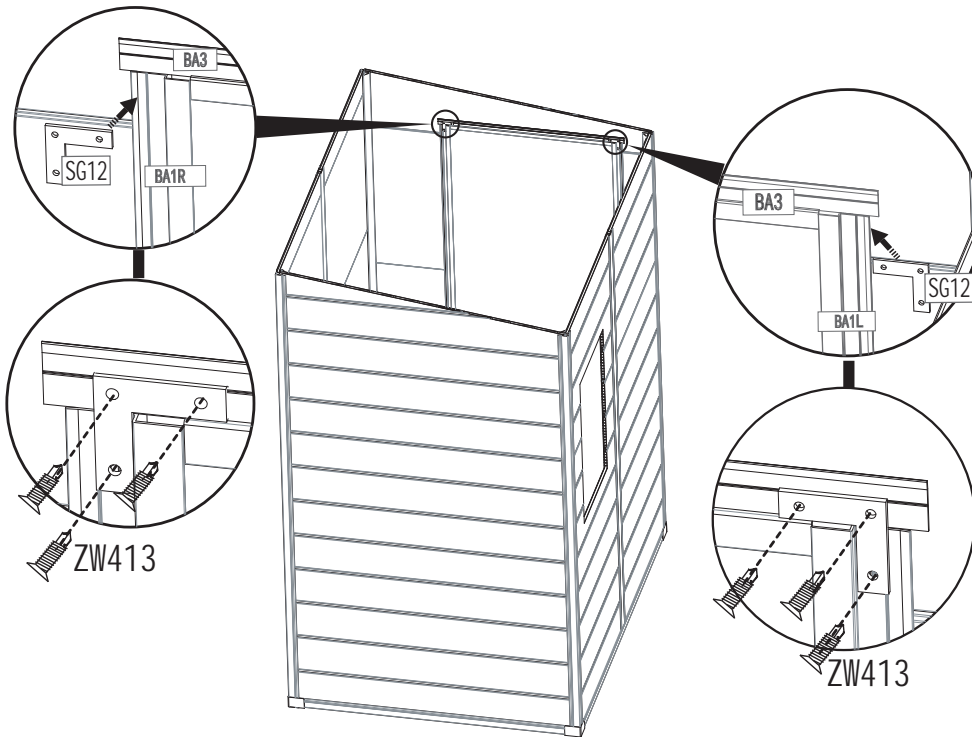


2 PC

ZW413

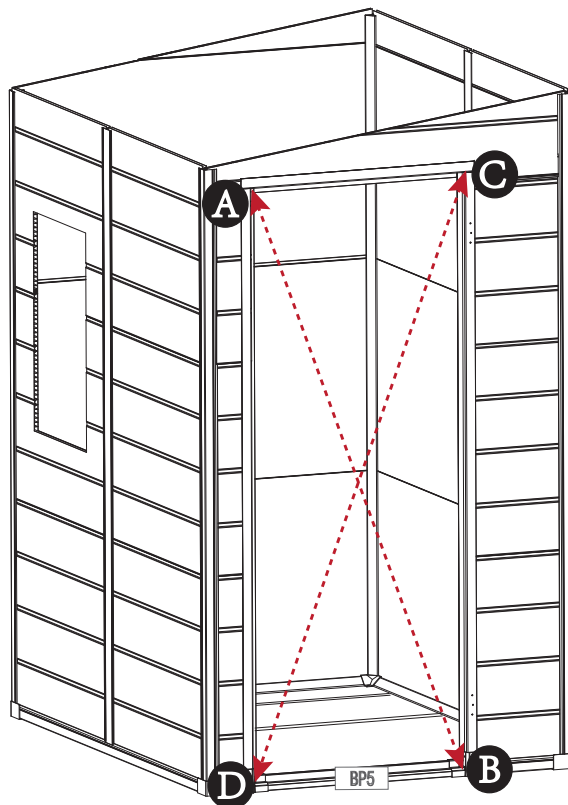


6 PC

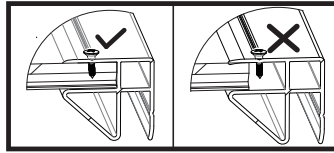


Step 36

● Make sure $AB=CD$



Step 37

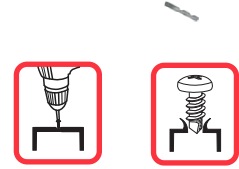
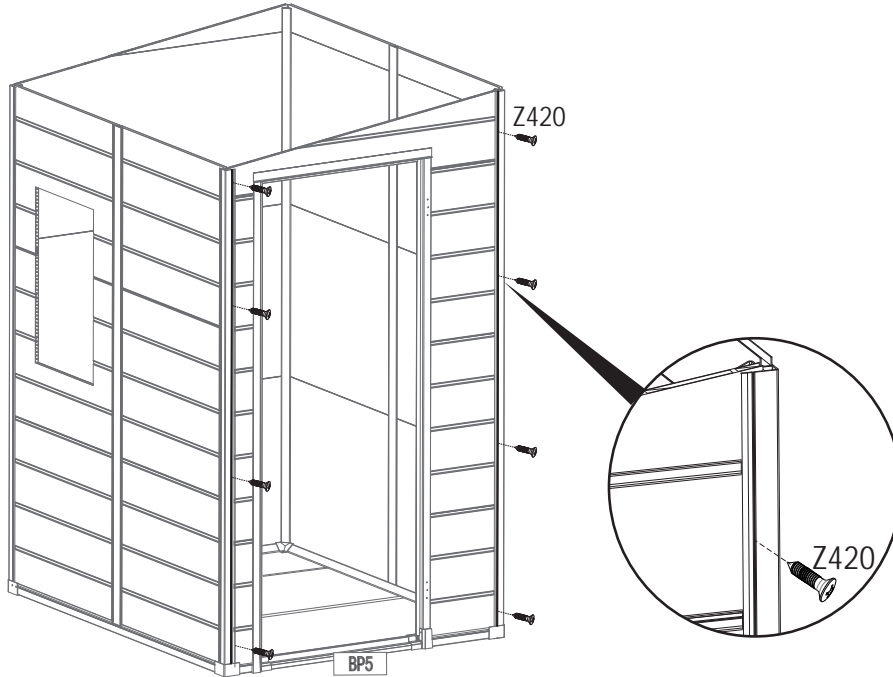


● Nail along the marked line on profile.

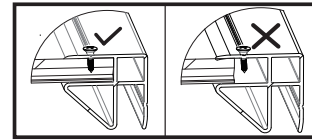
Z420



8 PC



Step 38

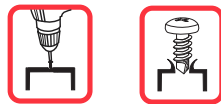


● Nail along the marked line on profile.

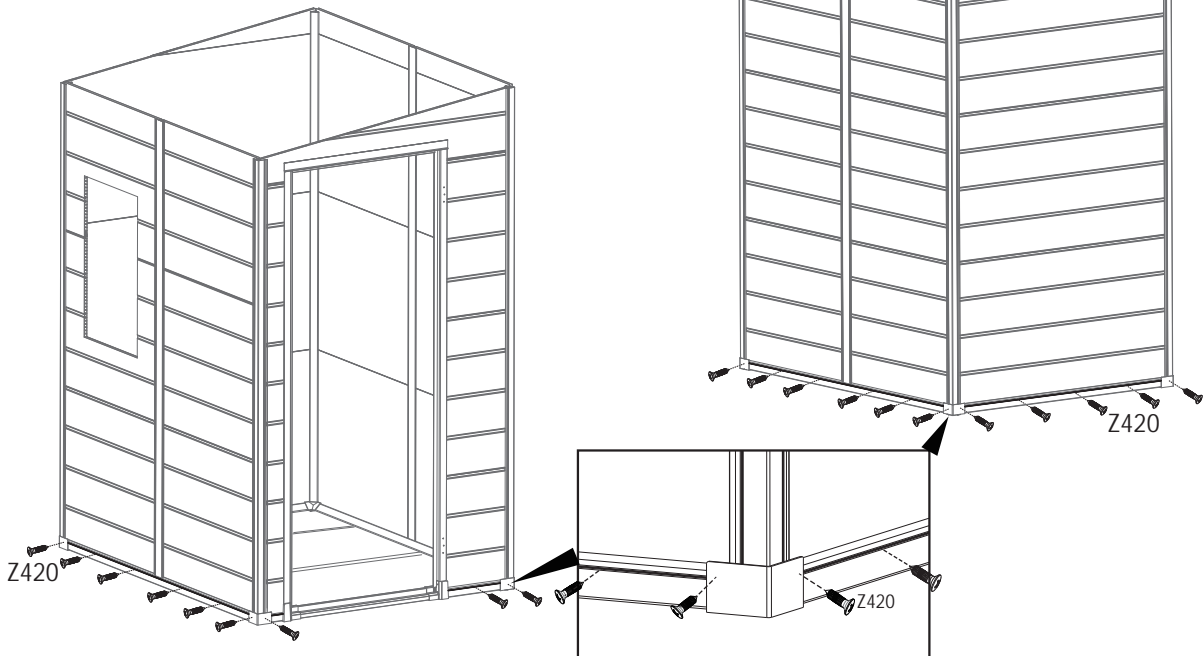
Z420



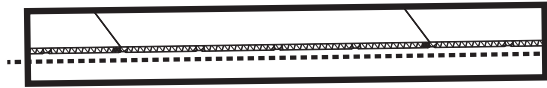
20 PC



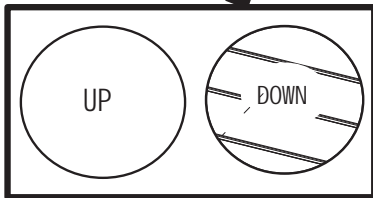
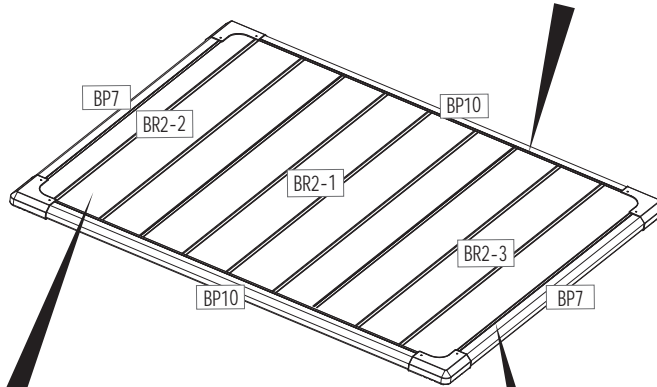
● Fully fit the panel inside the profile
Screw along the marked lines in profiles



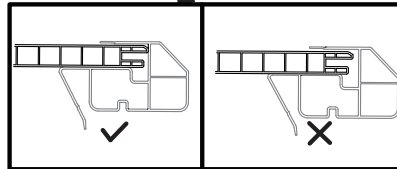
ROOF PARTS



● The floor panels must be straight

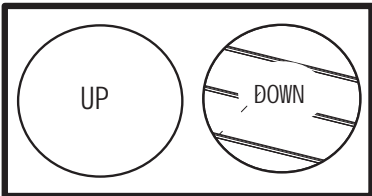


● Note: The crease line of the floor must be underneath

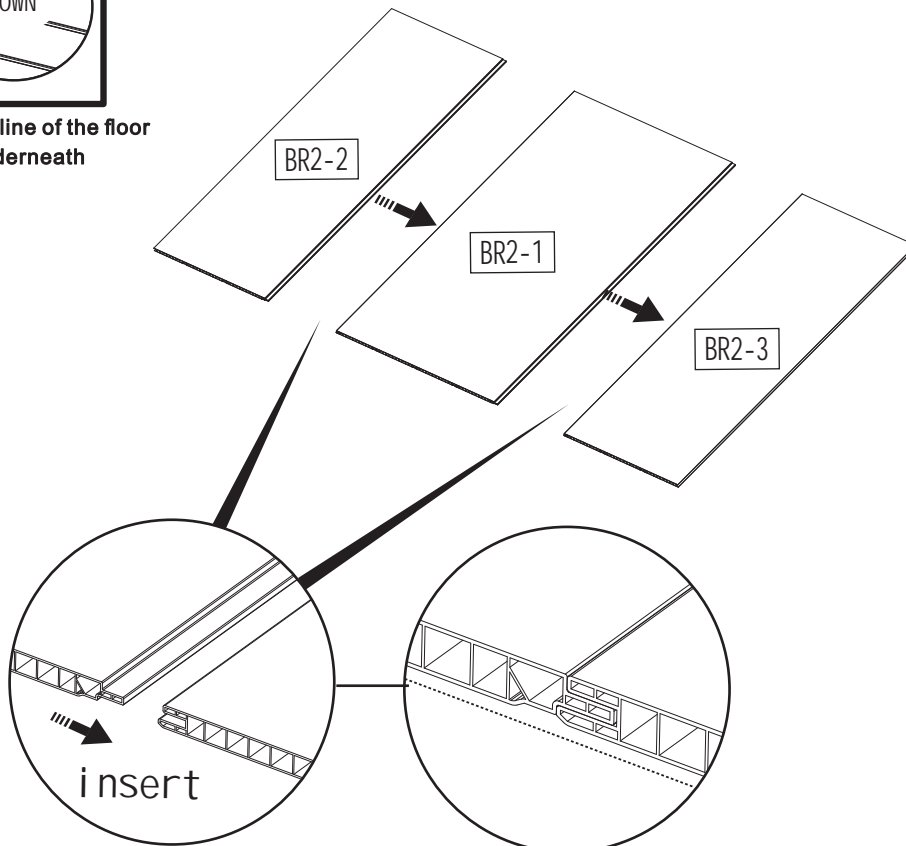


● Fully fit the panel inside the profile

Step 39

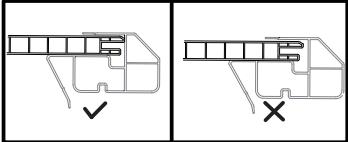


● Note: The crease line of the floor must be underneath

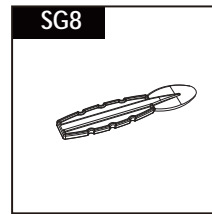
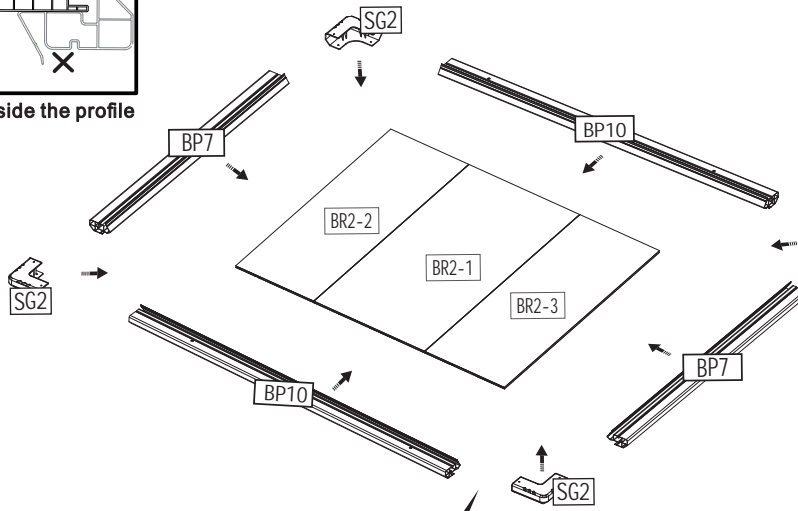


BR2-1		2 PC
BR2-2		1 PC
BR2-3		1 PC
SG8		

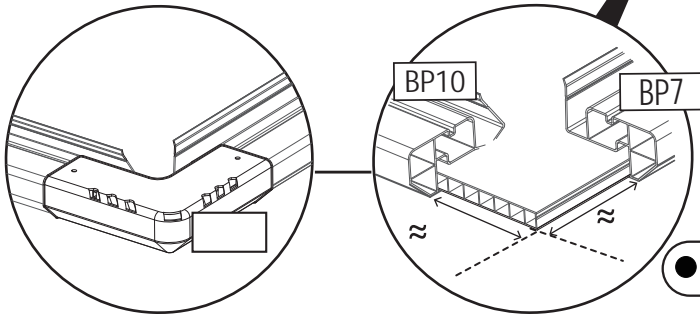
Step 40



● Fully fit the panel inside the profile

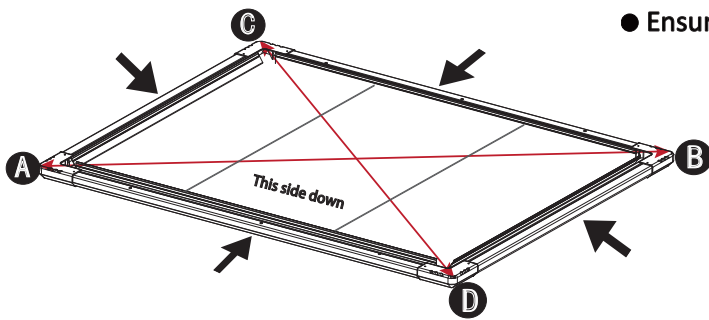
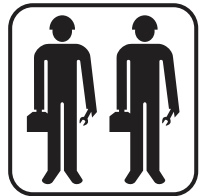
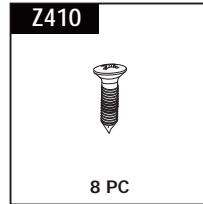


BP10		2 PC
BP7		2 PC
SG2		4 PC

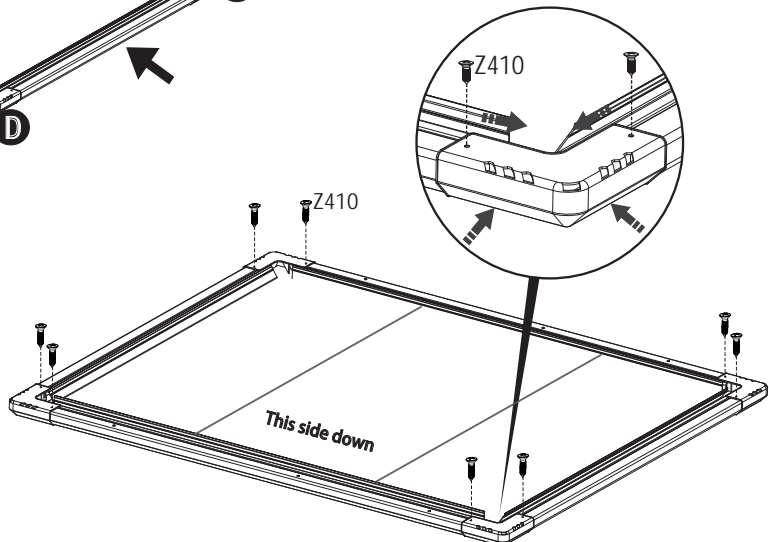


● Please note the measurement dimensions

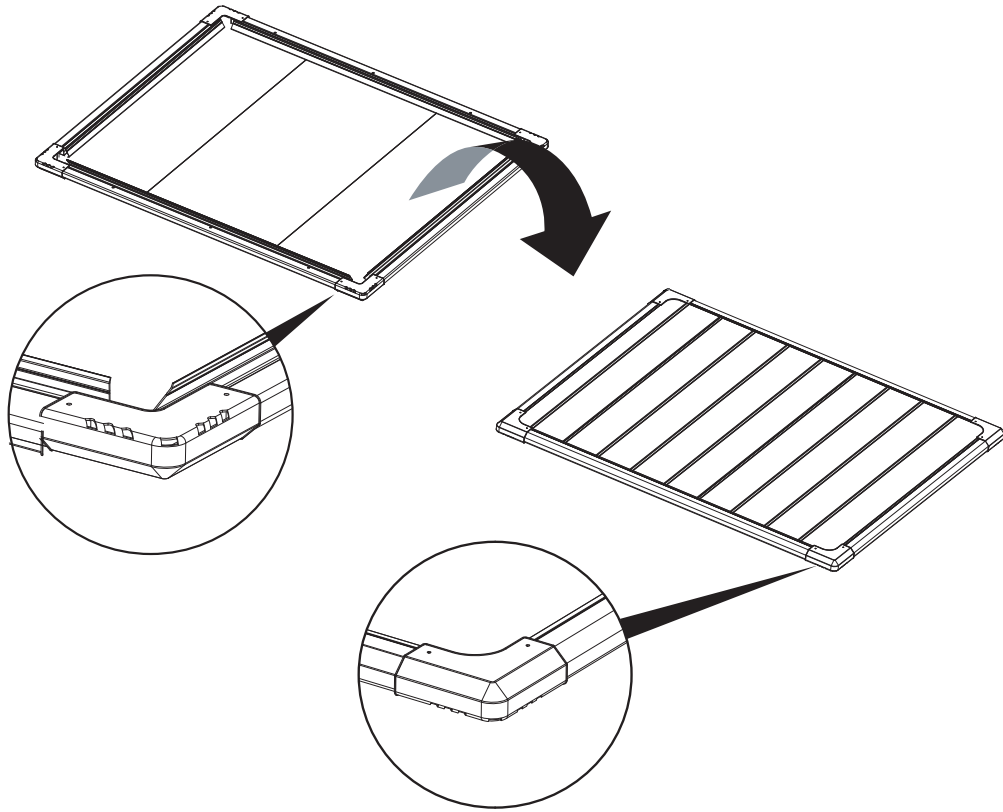
Step 41



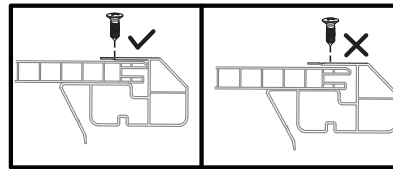
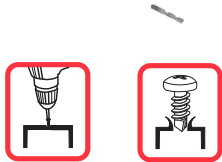
● Ensure AB equal to CD before nailing.



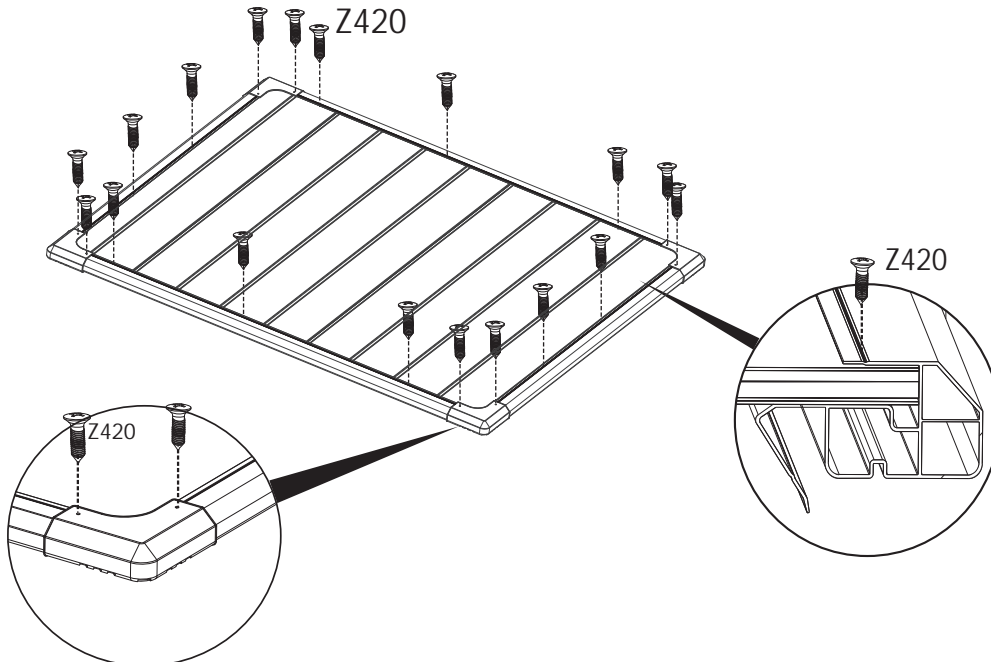
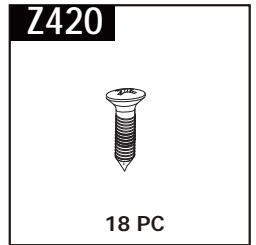
Step 42



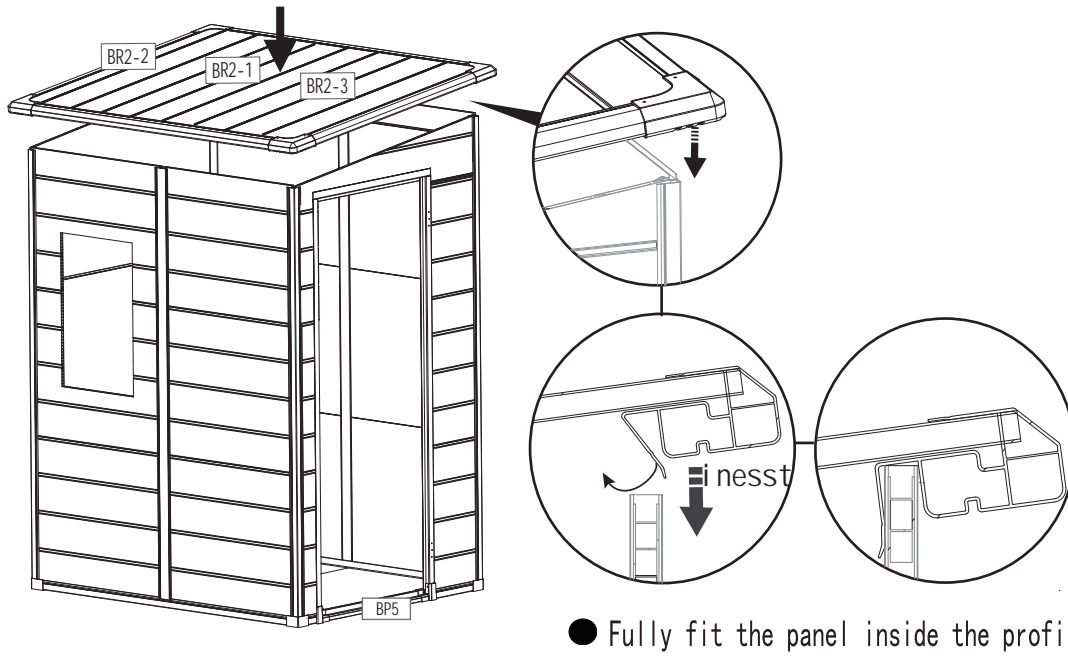
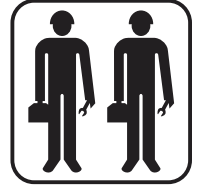
Step 43



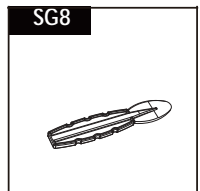
● Nail along the marked line on profile.



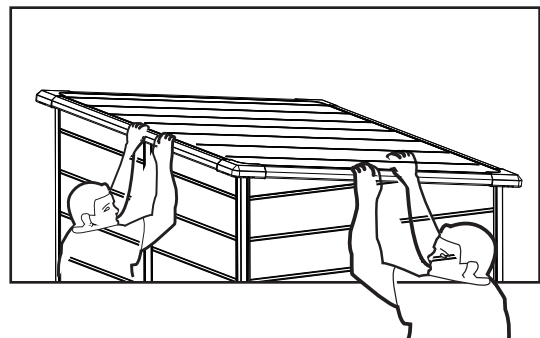
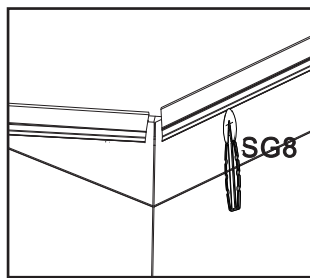
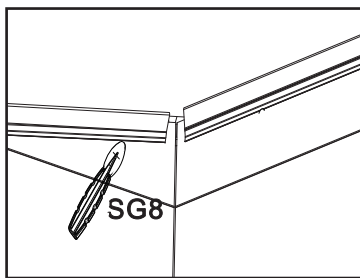
Step 44



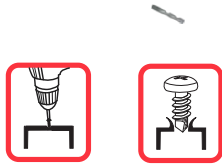
Step 45



- Ensure fully fit the panels inside the profiles of the roof, using the spatula according to the following picture.



Step 46

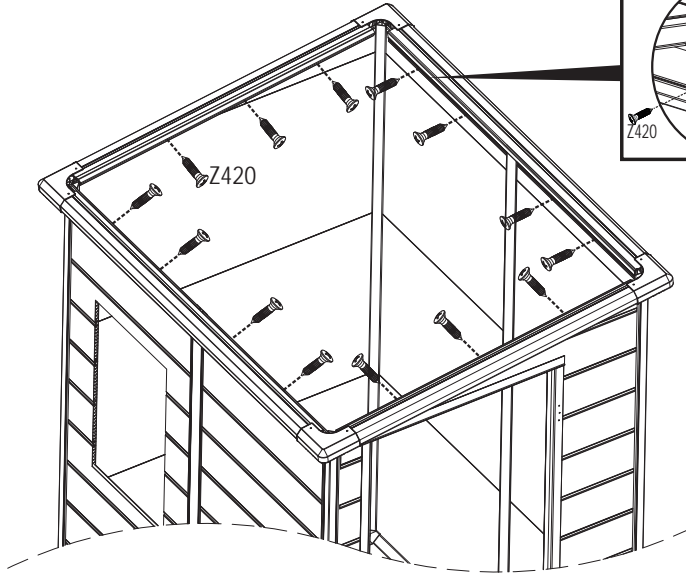
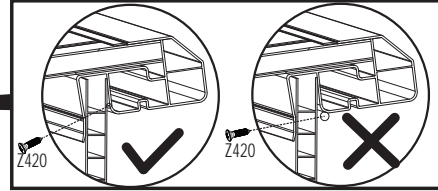


Z420

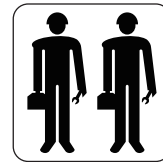


14 PC

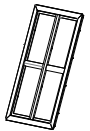
• Please note the nailing direction.



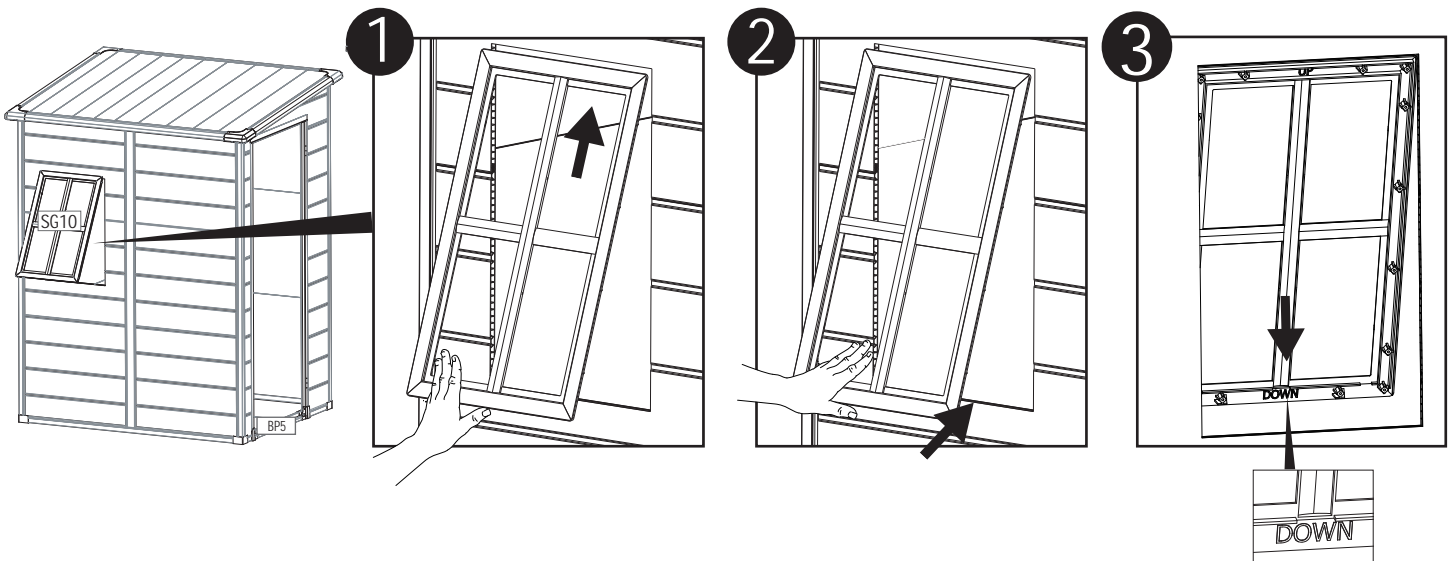
Step 47



SG10

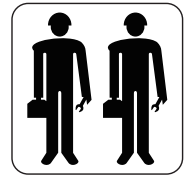
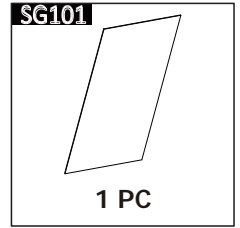
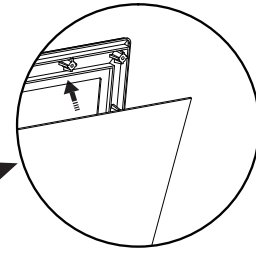
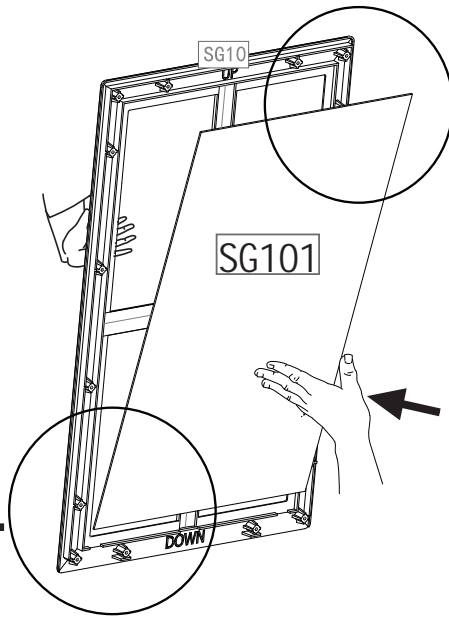
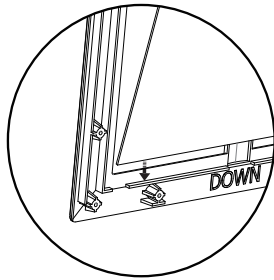
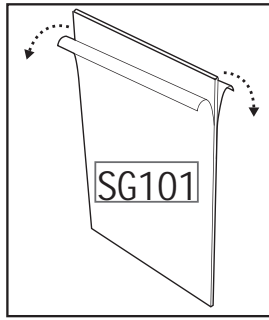


1 PC



Step 48

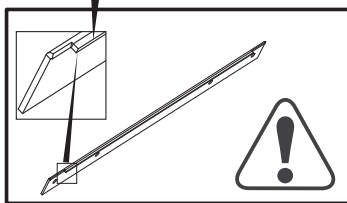
- Remove the film before fixing SG101



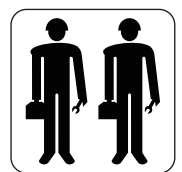
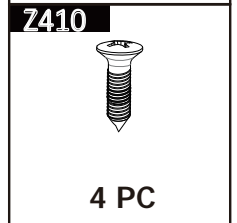
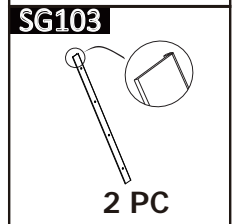
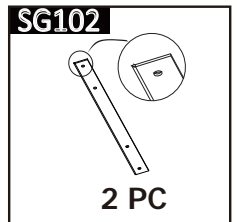
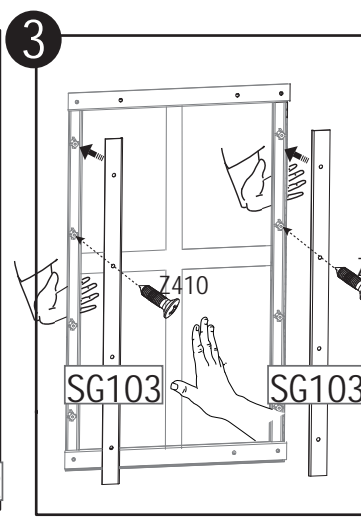
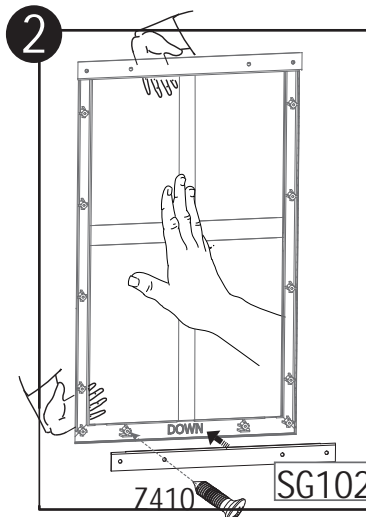
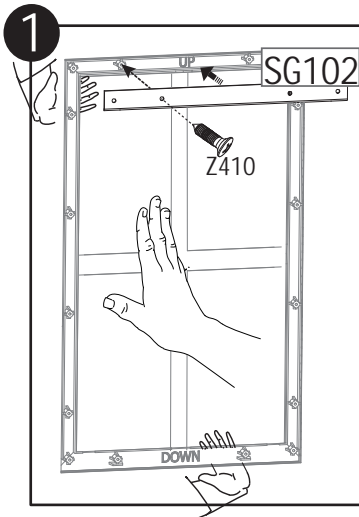
- Need two persons to fix SG101, one person presses it, and the other person assembles it.

Step 49

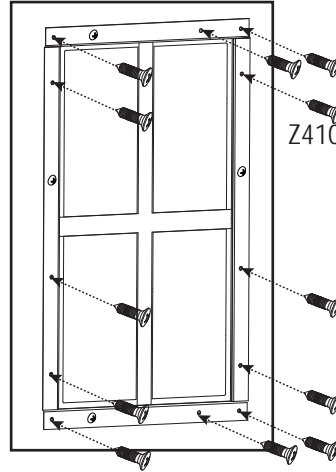
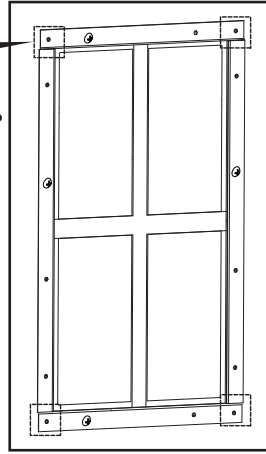
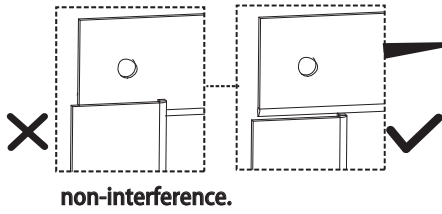
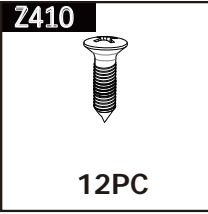
The press plate boss section shall be pressed against SG101



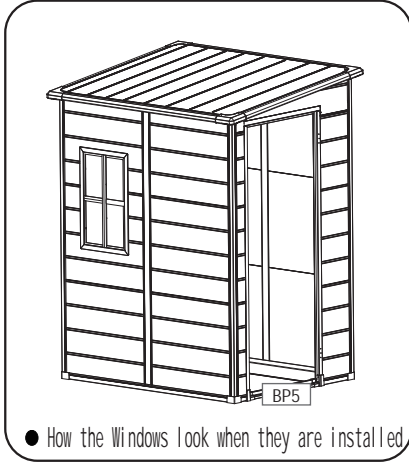
- Press tightly to avoid falling down
- Please note the side with bending edge be pressed to SG101
- It's better to fix just one screw on each SG102&SG103 before each one adjust into right location.



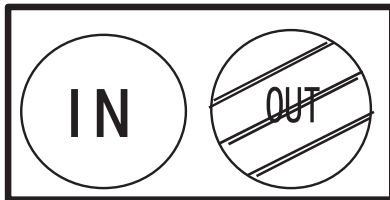
Step 50



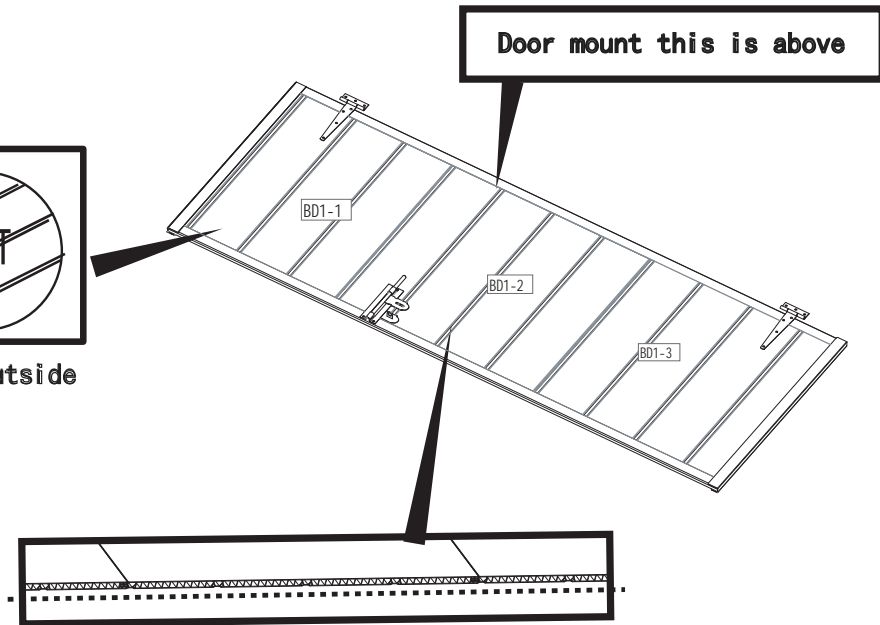
● Adjust SG102&SG103 in right location, then fix all screws



DOOR SECTION

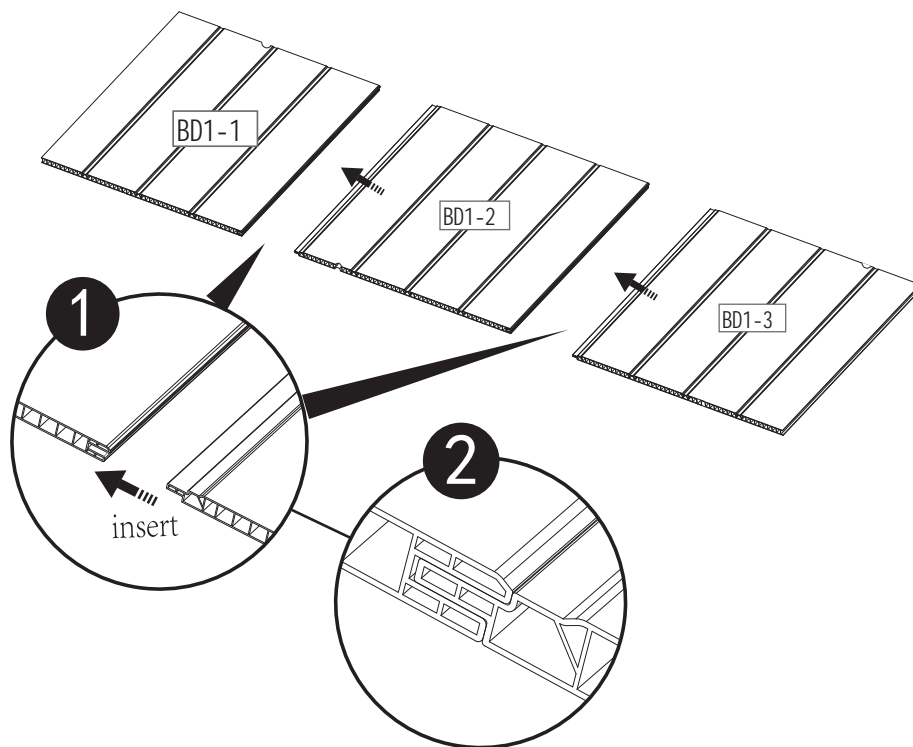
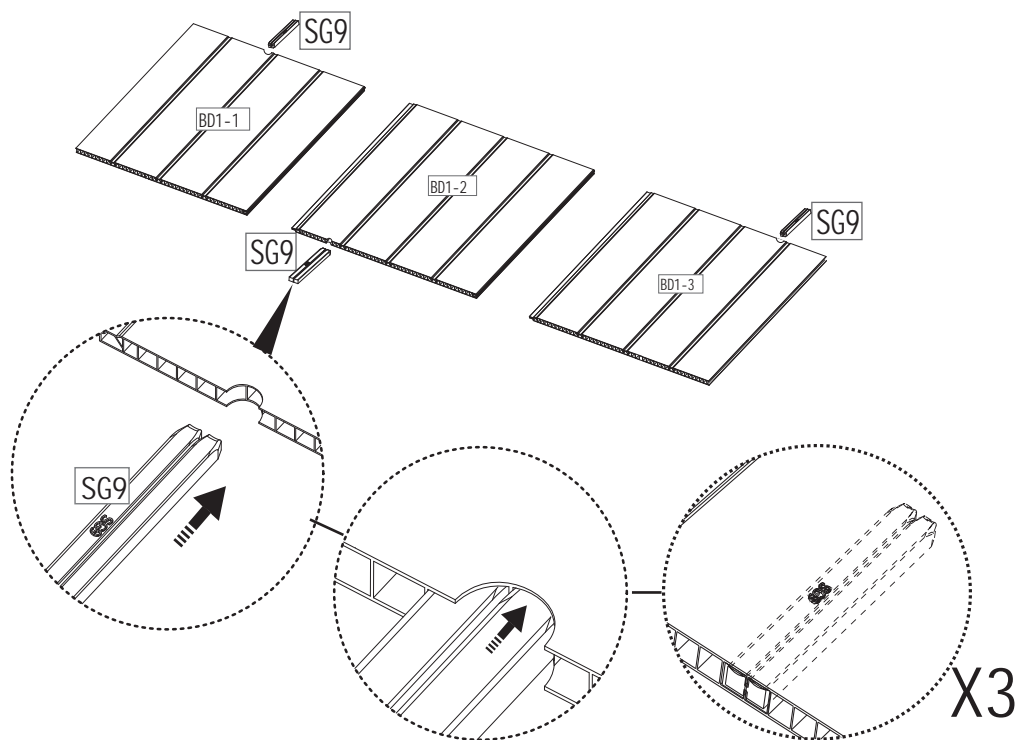


The stripes should be outside

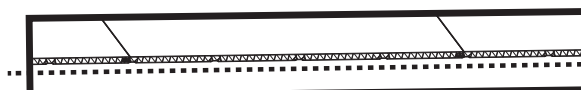


The boards must be straight

Step 51

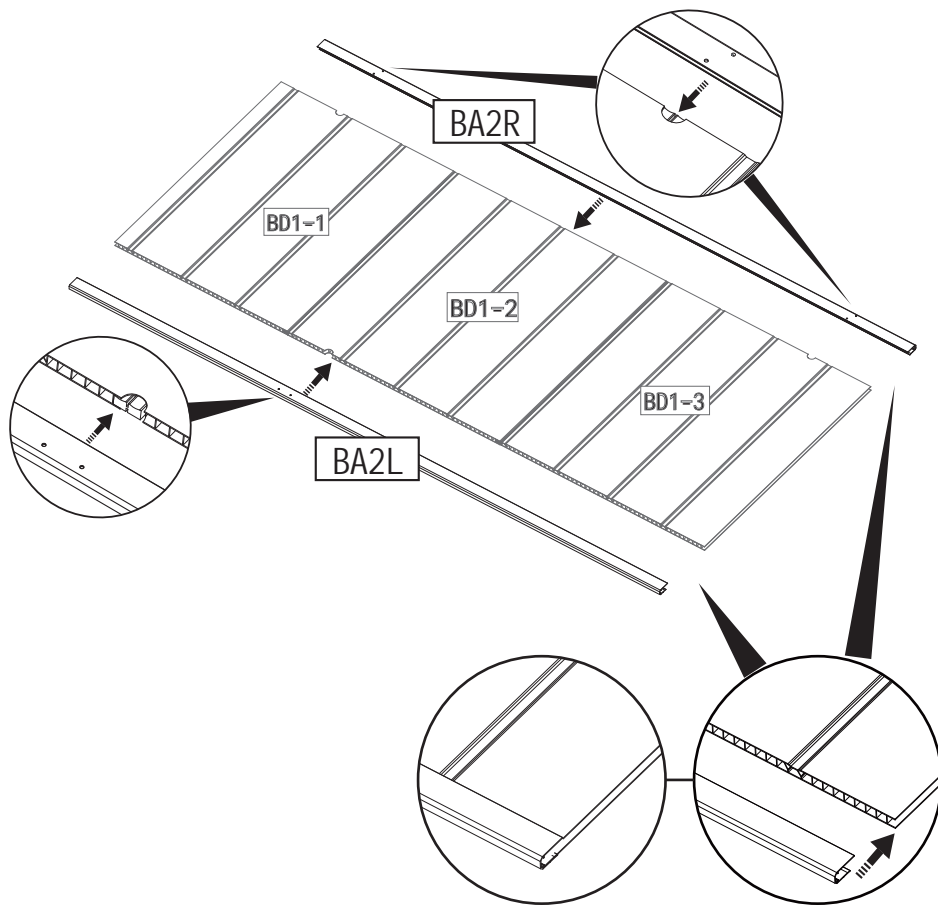


BD1-1		1 PC
BD1-2		1 PC
DB1-3		1 PC
SG9		3 PC

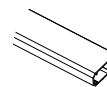


The boards must be straight

Step 52

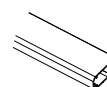


BA2R



1 PC

BA2L

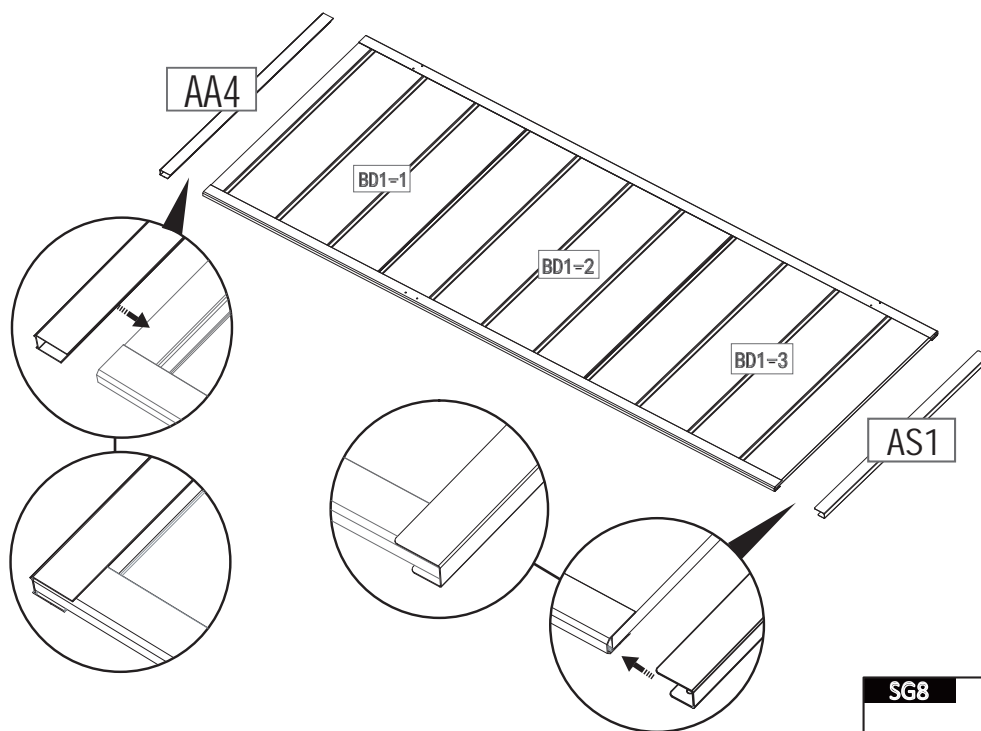


1 PC

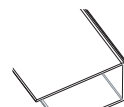
SG8



Step 53

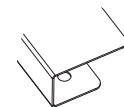


AA4



1 PC

AS1

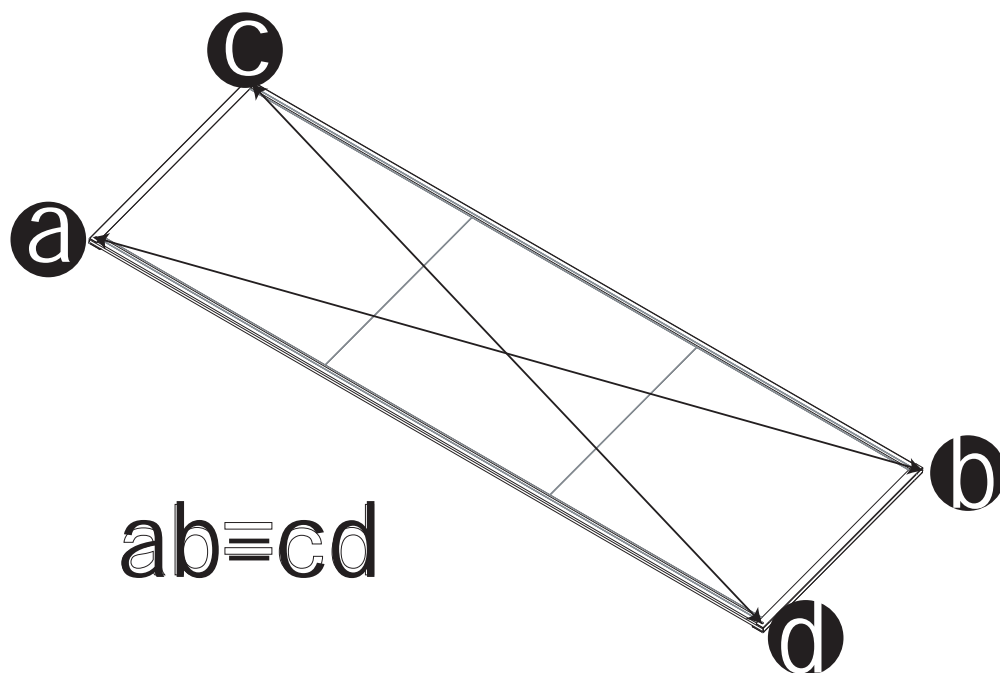
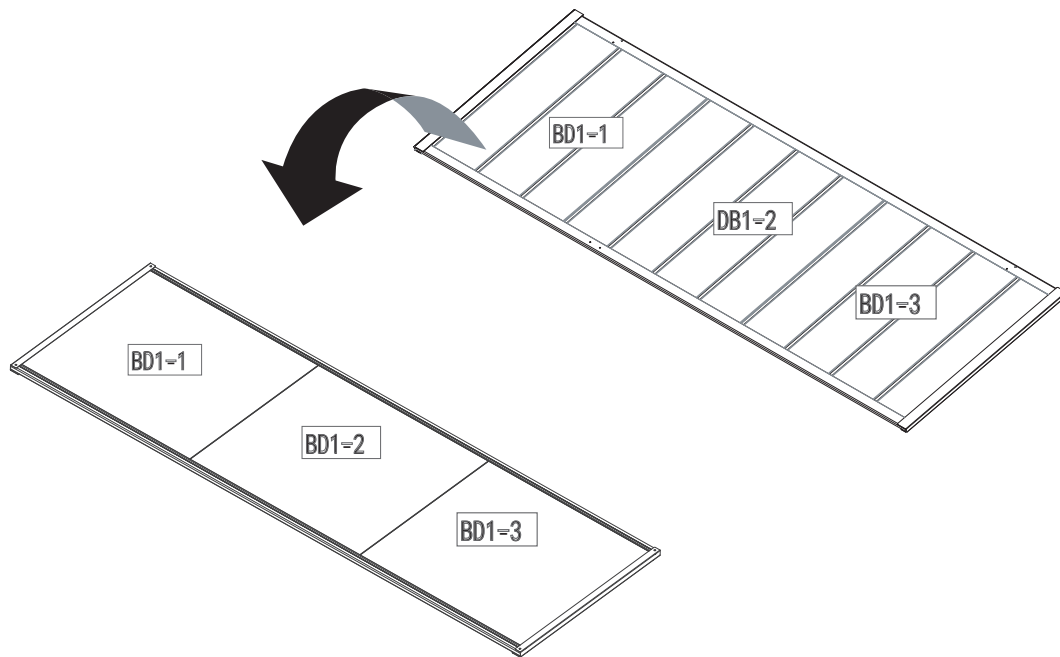


1 PC

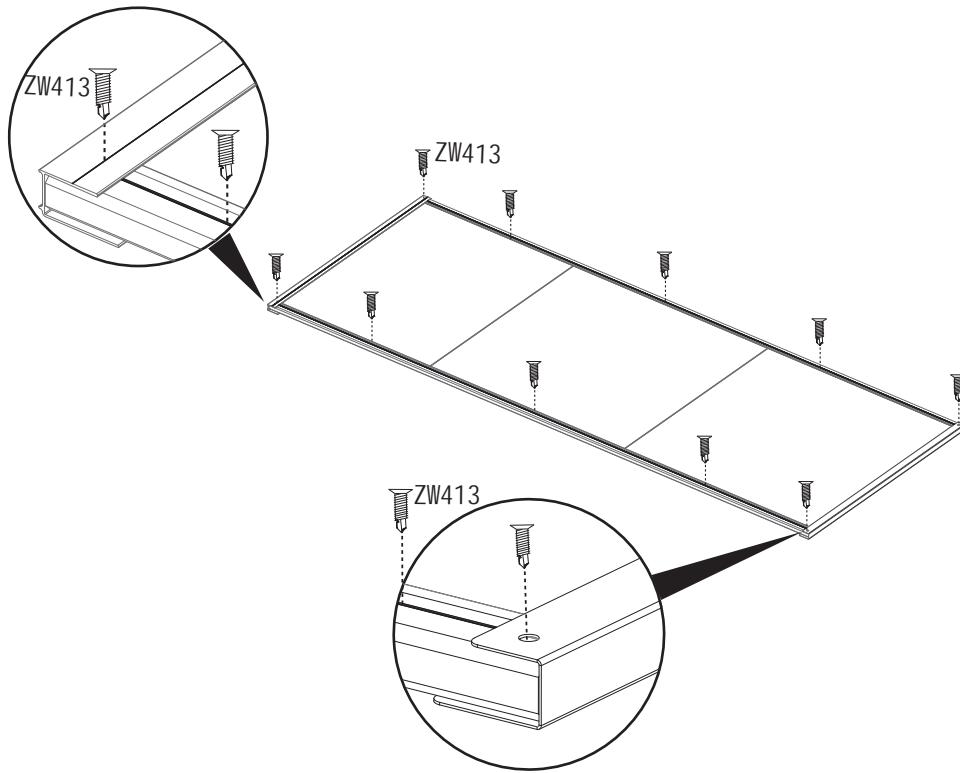
SG8



Step 54



Step 55

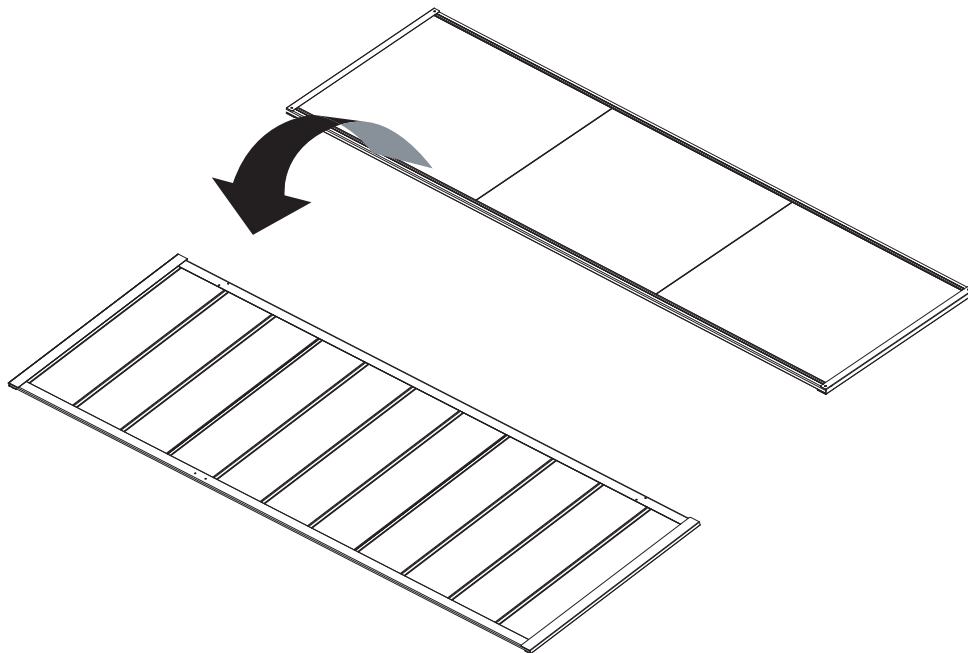


ZW413

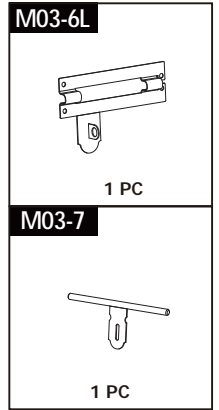
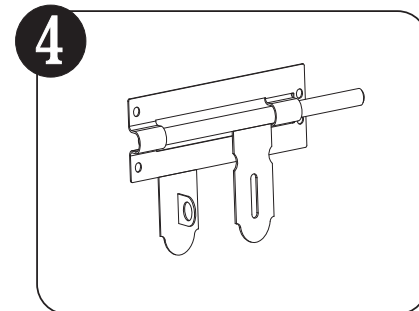
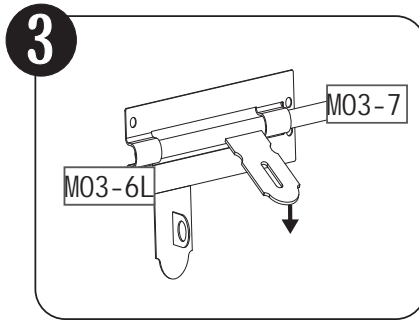
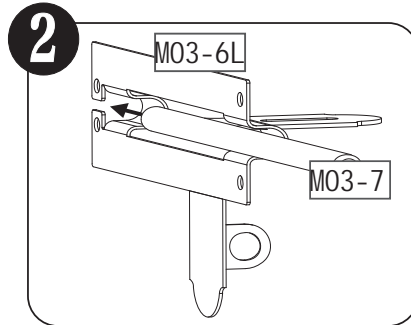
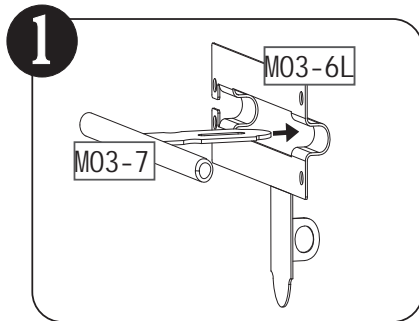


10PC

Step 56

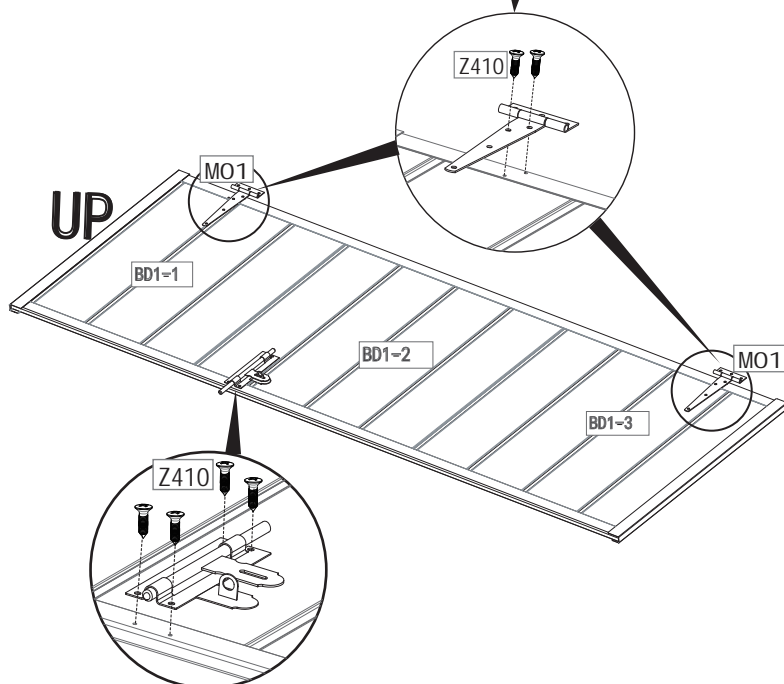


Step 57



Step 58

Don't fasten the screws in this step, to adjust the positions of doors

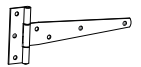


Z410

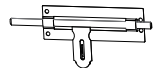


8 PC

M01



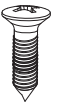
2 PC



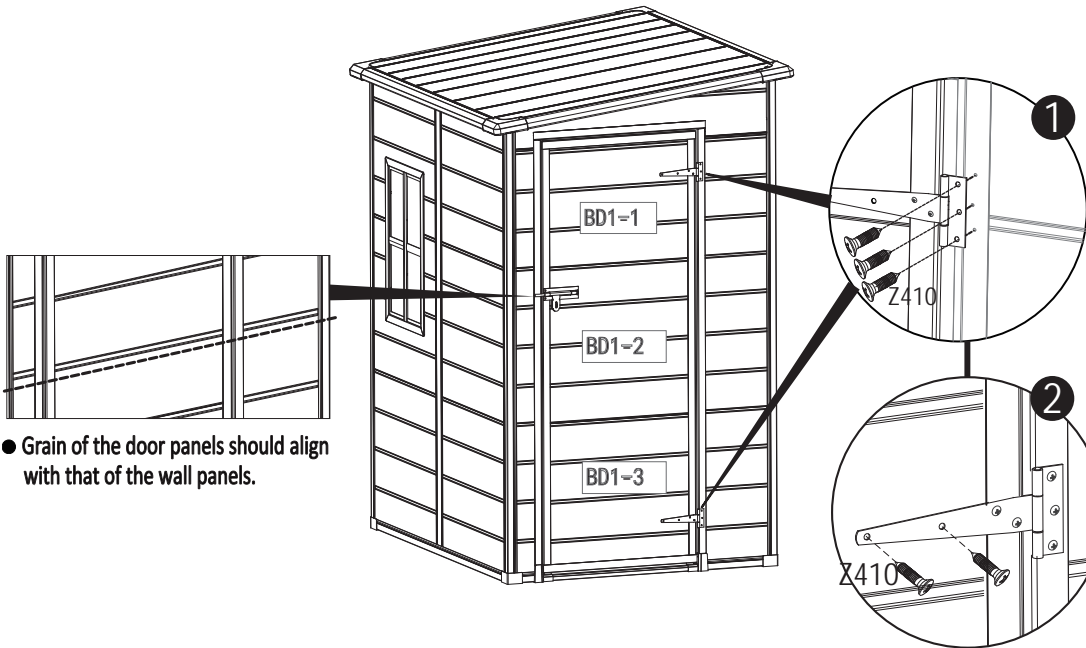
1 PC

Step 59

Z410



10PC



- Grain of the door panels should align with that of the wall panels.

Nail the door after place adjustment and fasten all the screws.

Step 60

ZW413

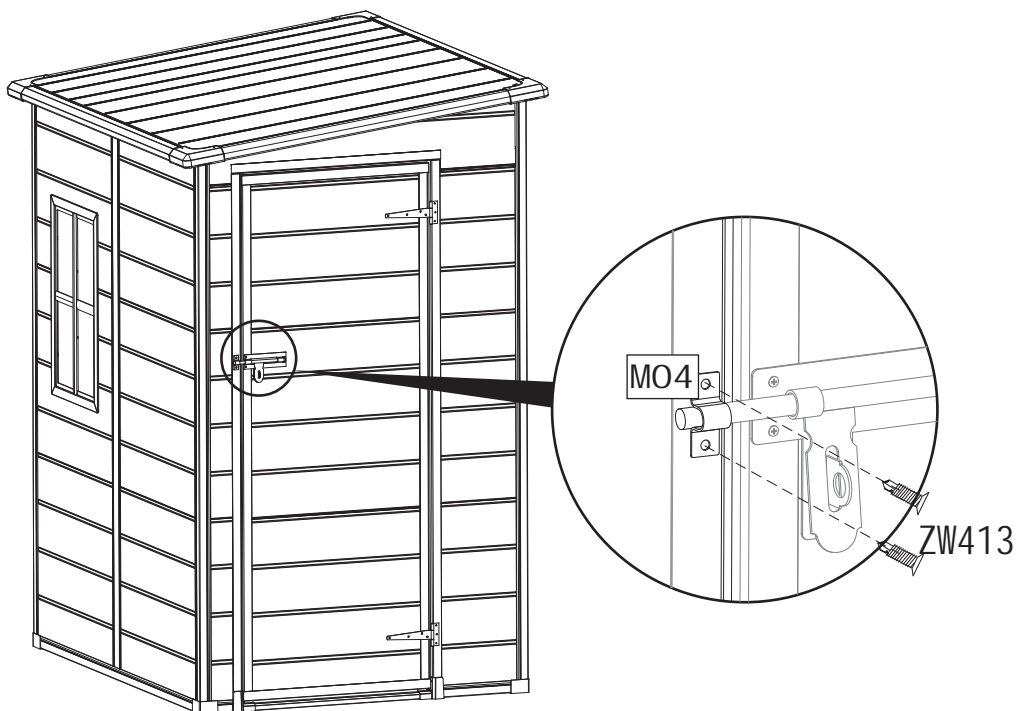


2 PC

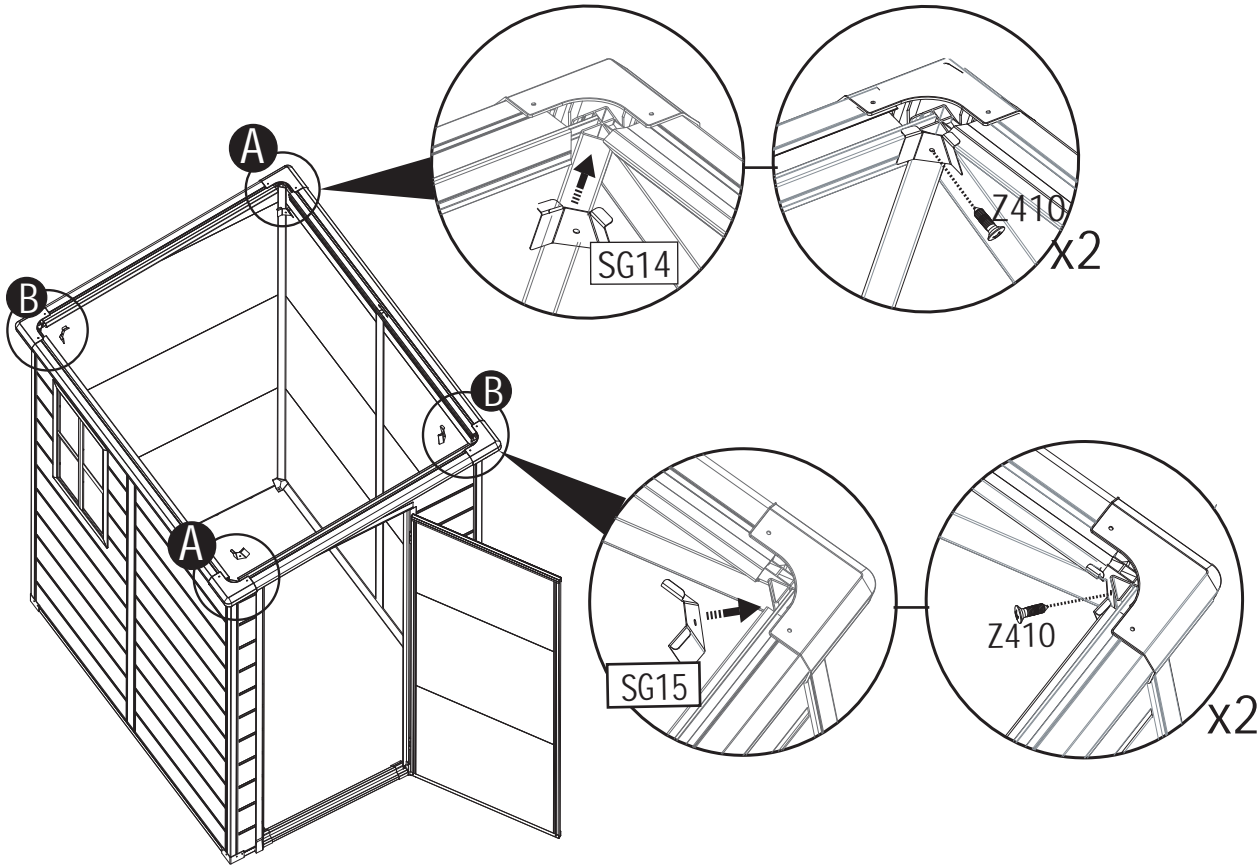
MO4



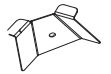
1 PC



Step 61



SG14



2 PC

SG15



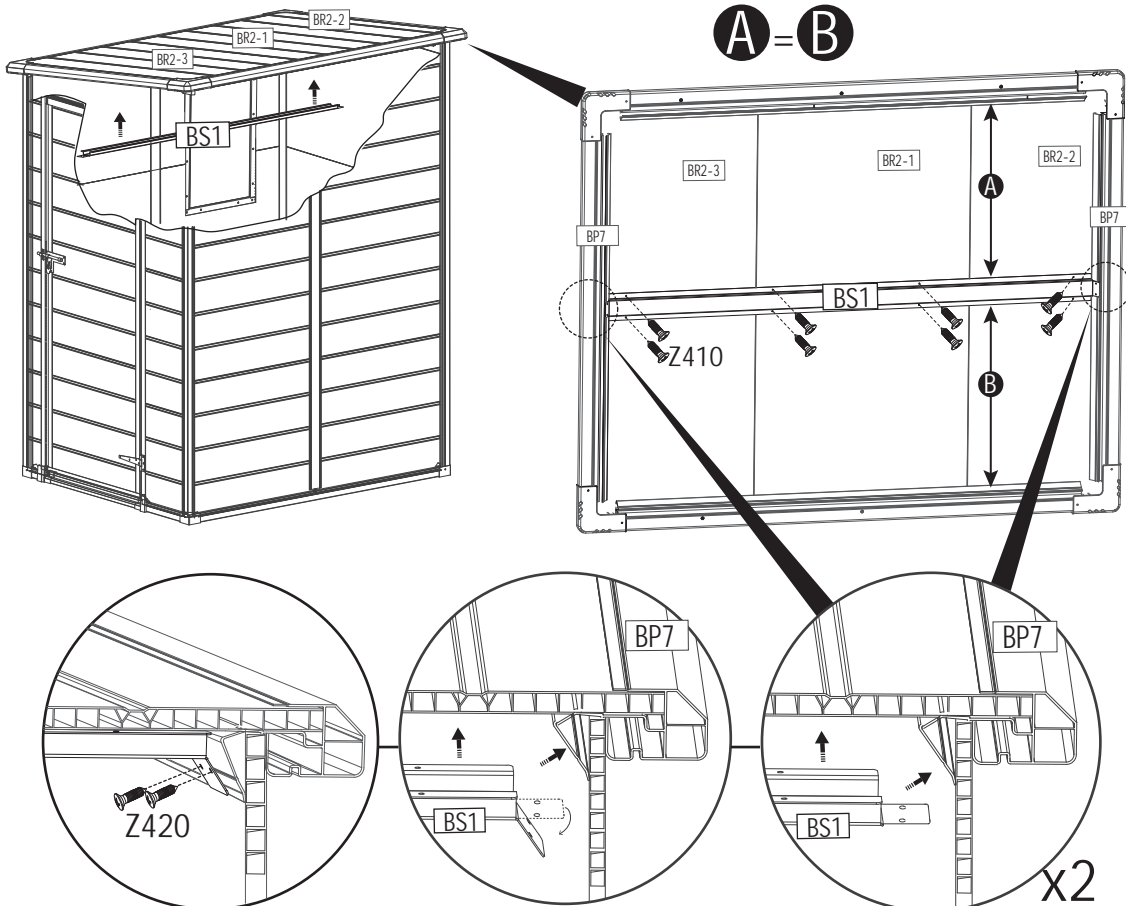
2 PC

Z410

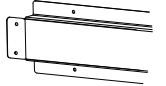


4 PC

Step 62



BS1



1 PC

Z420



4 PC

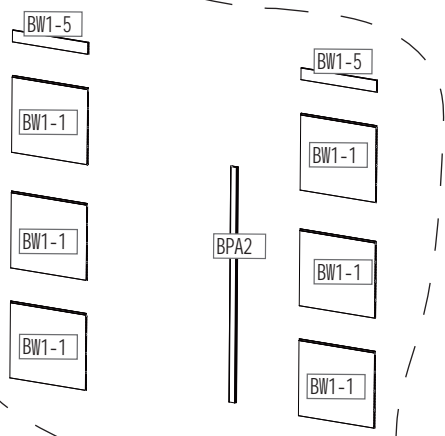
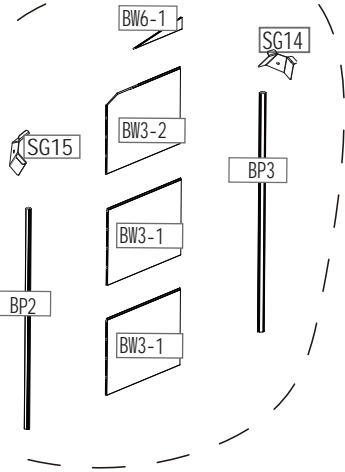
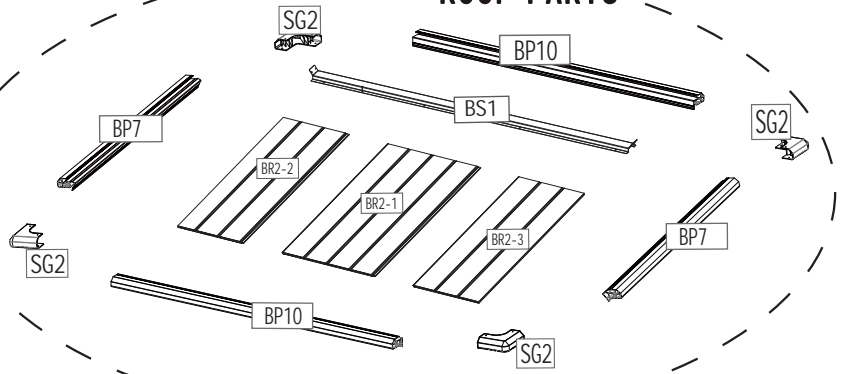
Z410



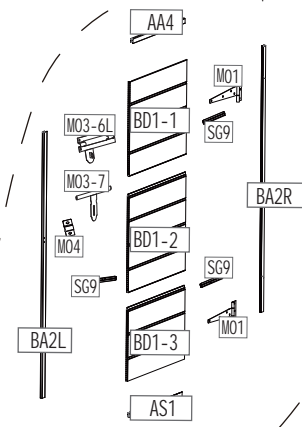
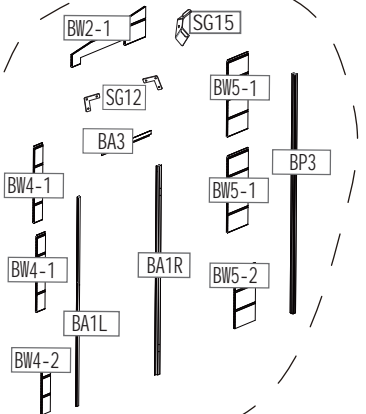
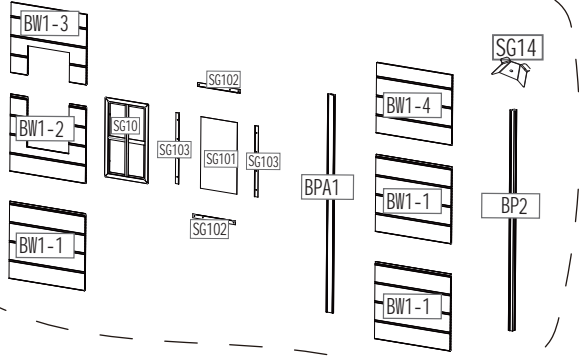
8 PC

PARTS SCHEMATIC

ROOF PARTS



DOOR PARTS



FLOOR PARTS

