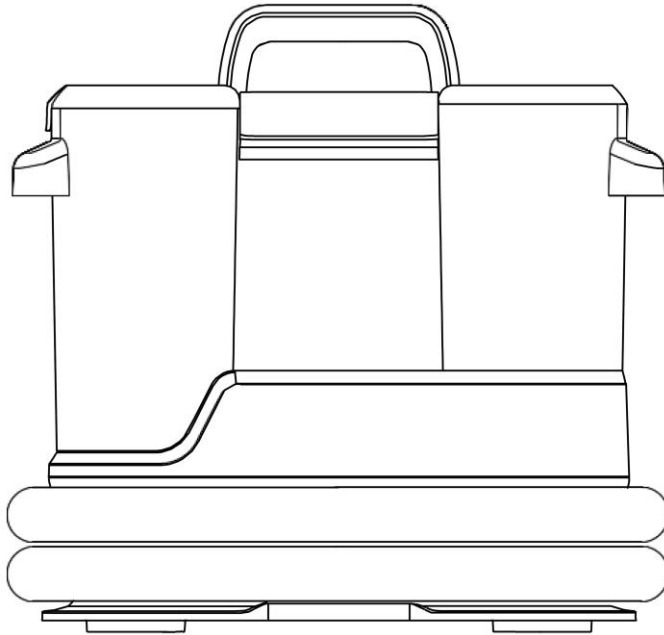


Stain Lift Hot and Cold Spot Cleaner Pro



**IMPORTANT:
RETAIN FOR FUTURE REFERENCE**

CONTENTS

	Page(s)
Safety Instructions	3-5
About Your Spot Cleaner	6-8
Getting Started	9-10
Using Your Spot Cleaner	11-13
Tips for Stubborn Stains	14
Product Information	15
Troubleshooting	16
Guarantee and Customer Service	17
Connection to the Mains Supply	18

SAFETY INSTRUCTIONS

READ CAREFULLY BEFORE USE AND KEEP FOR FUTURE REFERENCE

- It is hazardous for anyone other than a competent person to carry out any service or repair operation that involves the removal of a cover which gives protection against exposure to electrical parts.
- Do not remove parts from the appliance such as screws.
- If the supply cord is damaged, it must be replaced by the manufacturer, its service agent or similarly qualified persons in order to avoid a hazard. Do not use with damaged cord or plug.
- This product is intended for household use only. Do not use outdoors.
- Do not direct at people, animals, electrical outlets, or equipment containing electrical components.
- Only use accessories recommended by the manufacturer. If you use parts that are not supplied or sold by the manufacturer, it may result in fire, electric shock, or injury.
- Ensure the appliance is unplugged before it is cleaned.
- Ensure all outlets are clear when in operation. Do not use with any opening blocked.
- Do not direct the liquid or steam at electrical appliances or electrical components, e.g. ovens.
- Do not dismantle during use.
- Do not leave the appliance unattended while it is connected to the mains supply.
- Ensure all outlets are clear when in operation. Do not use with any opening blocked.

SAFETY INSTRUCTIONS

READ CAREFULLY BEFORE USE **AND KEEP FOR FUTURE REFERENCE**

- Do not dismantle during use.
- The appliance should not be used if dropped, if there is visible signs of damage or if it is leaking.
- Keep out of reach of children when cooling down.
- Do not use the appliance to vacuum the following:
 - Sharp objects such as broken glass or broken plastics.
 - Erosive or harmful liquids such as solvents, corrosives, detergents.
 - Flammable substances such as gasoline or alcohol.
 - Cigarettes, hot ashes or other burning objects.
- Always unplug the appliance when not in use.
- This appliance can be used by children aged from 8 years and above and persons with reduced physical, sensory or mental capabilities or lack of experience and knowledge if they have been given supervision or instruction concerning use of the appliance in a safe way and understand the hazards involved. Children shall not play with the appliance. Cleaning and user maintenance shall not be carried out by children without supervision.
- Do not use solvents that will damage surfaces.
- Do not use diluent, aniline, chloroform or any flammable substances.

SAFETY INSTRUCTIONS

FOR HOUSEHOLD USE ONLY

KEEP THESE INSTRUCTIONS FOR FUTURE REFERENCE

- Do not use the appliance to vacuum flammable or combustible substances.
- Do not vacuum oil, smoke or steam.
- Do not vacuum dry dust.
- Do not operate near combustible substances.
- Use only clean water at 40 degrees Celsius or below.
- If the supply cord is damaged, it must be replaced by the manufacturer, its service agent or a similarly qualified person in order to avoid a hazard.
- Young children should be supervised to ensure that they do not play with the appliance.
- The plug must be removed from the socket-outlet before cleaning or maintaining the appliance.



Warning – Using detergent in this appliance may damage it. Any issues that are caused by detergent use are not covered by the warranty.



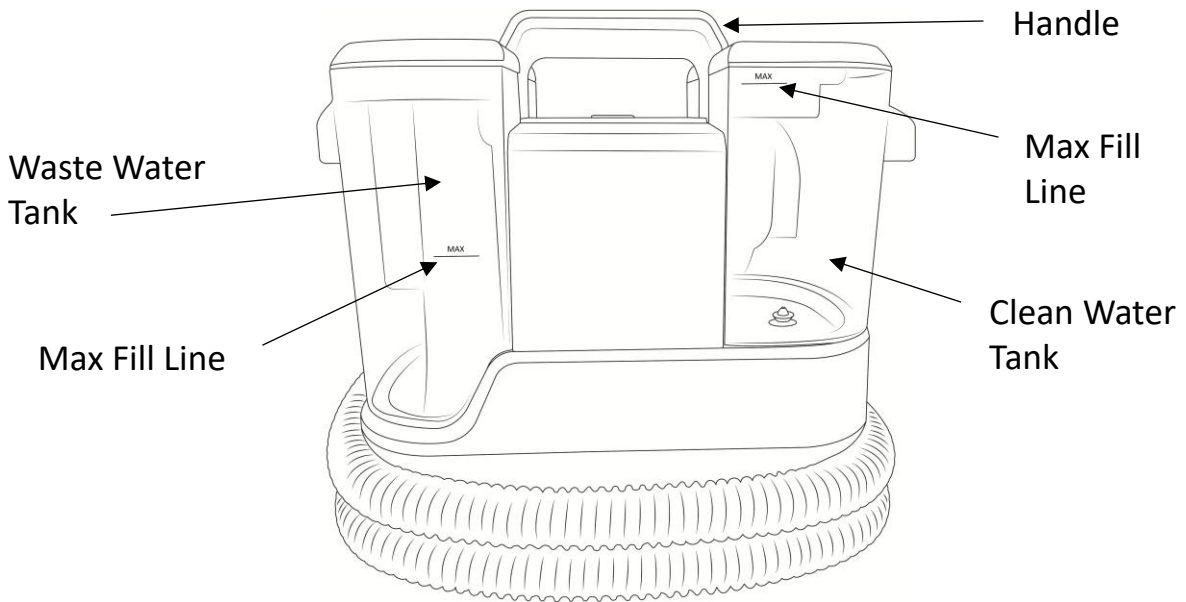
Caution – Steam:



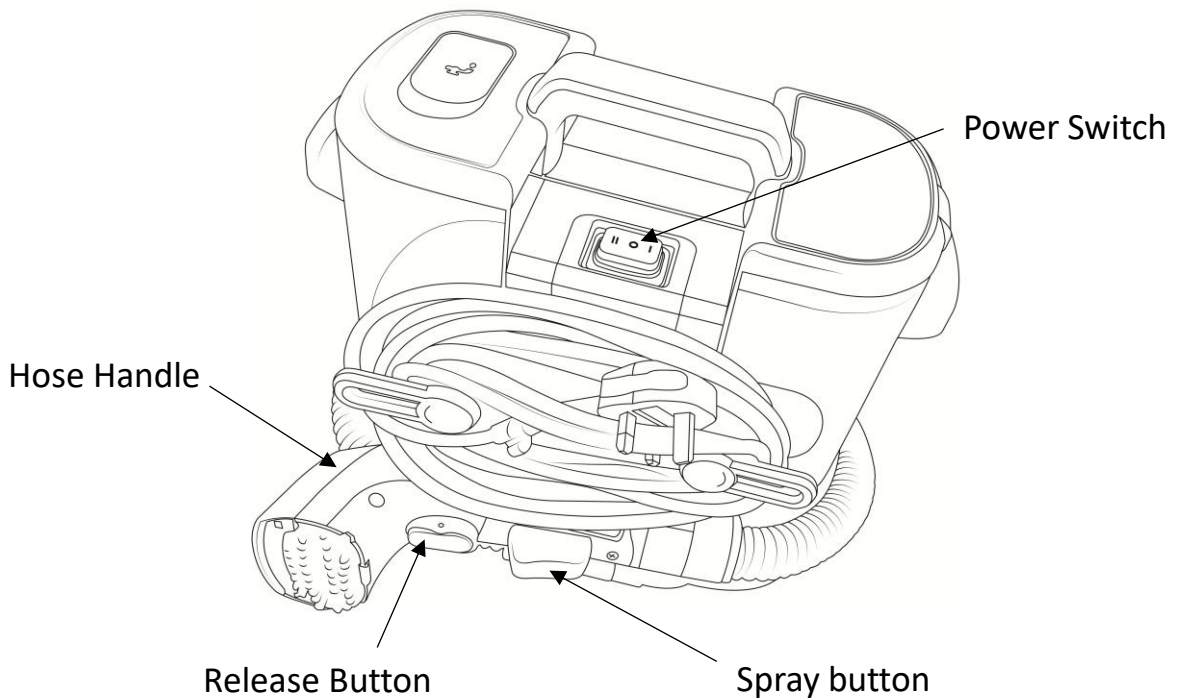
Hot steam may be released from the appliance.
Avoid direct contact with the hose tip.

ABOUT YOUR SPOT CLEANER

Front View



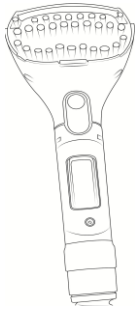
Back View



ABOUT YOUR SPOT CLEANER

Accessories

Stain Brush



This is the main cleaning brush. Press the spray button to release water.

Stain Brush cover



Ensure that the stain brush cover is attached to the stain brush to vacuum up waste water.

Waste Water Tool



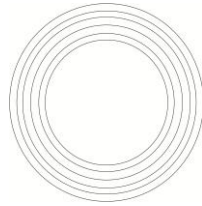
Use the waste water tool to mop up and collect any excess water from the surface.

Note: The accessories should be cleaned after each use.

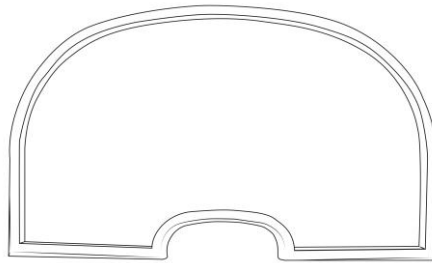
ABOUT YOUR SPOT CLEANER

Internal Parts

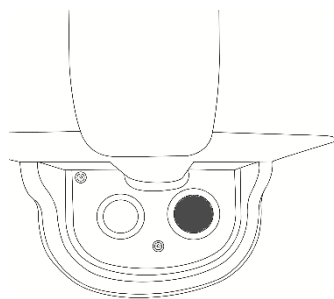
Round Rubber Seal



Lid Rubber Seal



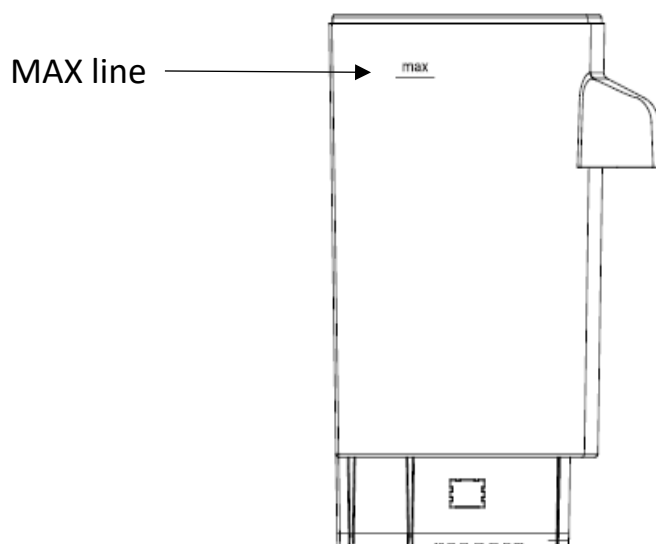
Sponge Filter



Note: The internal parts should be cleaned after each use.

GETTING STARTED

- Insert the hose hook into place.
- Remove the clean water tank from machine.
- Lift the top cover of the clean water tank off and fill with water to the “MAX” line.

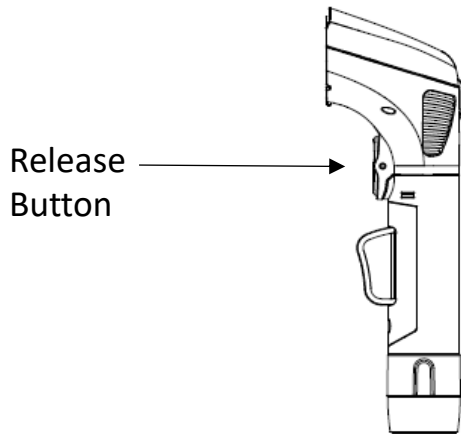


- Replace the lid onto the tank until you hear a click.
- Reinstall the clean water tank.

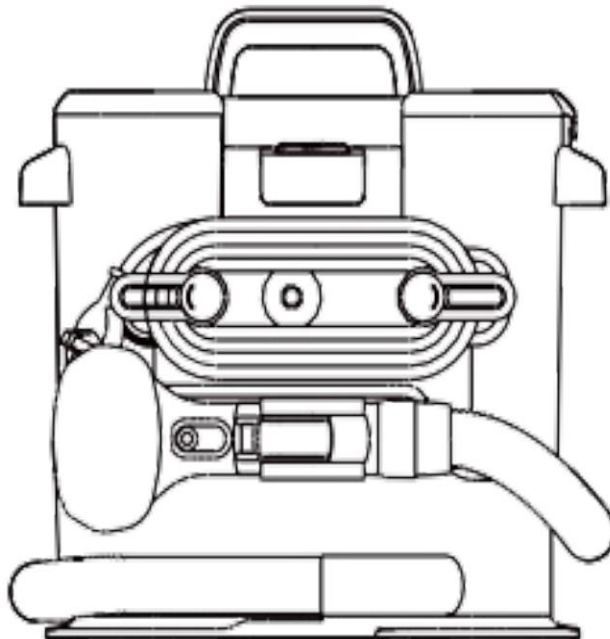
Note: Ensure that you do not shake the tank.

GETTING STARTED

- Fix your chosen accessory into place. Slide the opening on the accessory over the release button.



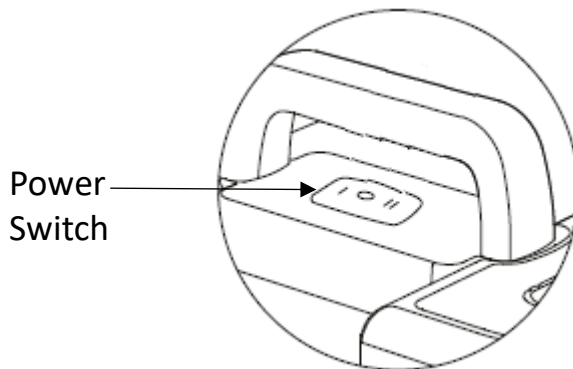
- Store the wire and hose correctly onto the machine before moving it around.



USING YOUR SPOT CLEANER

Operating Instructions

- Insert the plug into the socket and switch on the power.
- Turn the machine on using the power switch:

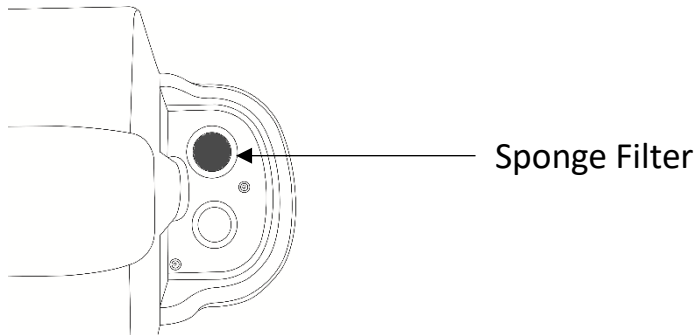


- Press "I" for cold water
 - Press "II" for warm water. Wait 45 seconds for the water to heat before starting to clean.
- Spray clean water onto the area you want to clean by pressing down the "Spray Button", then pat with a towel.
 - Vacuum the waste water by releasing the spray button and moving the nozzle over the area you want to clean.
 - Note: You can use the waste water tool to remove excess water without using the spray function.
 - Turn off the power once finished and unplug the unit.

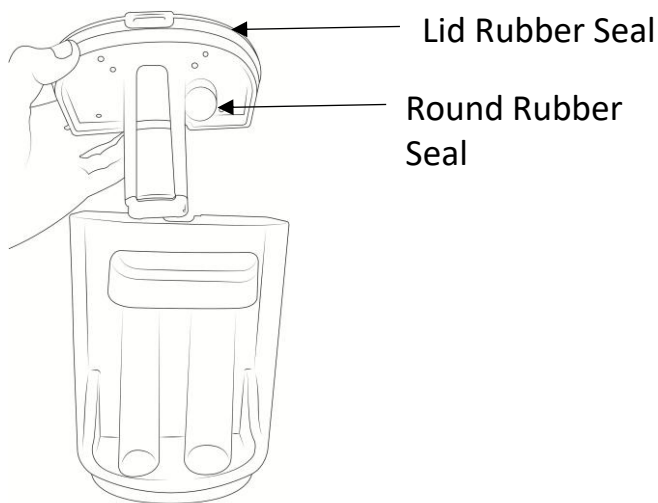
USING YOUR SPOT CLEANER

Tank Cleaning Instructions

- Remove the waste water tank from the main unit by lifting it using the side handles. **Caution: Avoid shaking the tank**
- Empty the waste water from the waste water tank.
- Remove and clean the sponge filter from the waste water tank.



- Ensure the waste water tank is thoroughly cleaned by removing the rubber seals and rinsing them too.

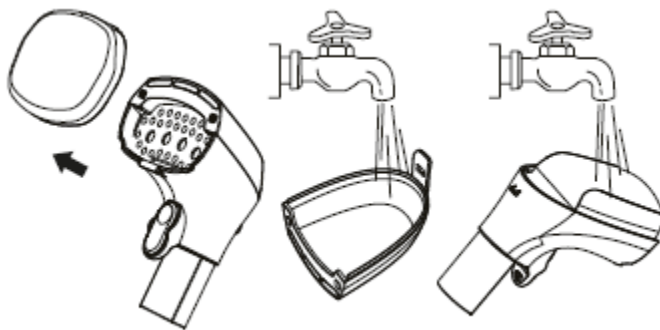


- Once dry, reinsert the rubber seal into the top cover.
- To clean the clean water tank, rinse with fresh water.

USING YOUR SPOT CLEANER

Accessory Cleaning Instructions

- Power off the device.
- Grip the brush cover and detach it. Then, clean both the cover and the brush with fresh water.



- Detach the waste water tool and clean it in the same way.



TIPS FOR STUBBORN STAINS

- Apply your choice of appropriate stain remover to the affected area as outlined by the manufacturer's instructions.
- Connect the stubborn stain tool to the hose.
- Fill the clean water tank with warm water – up to 40 degrees Celsius.

Caution: Do not use chloroform, diluents or aniline

- If using a detergent which produces a lot of foam, keep a close eye on the “max” fill level of the waste water tank and do not exceed this. Foam could enter the unit and cause damage.
- Move the tool backwards and forwards to lift the dirt and detergent.

PRODUCT INFORMATION

Technical Specification

Model number	01
Rated Input	AC 220-240V 50-60Hz
Capacity Clean Water Tank	Approx. 1.5L (to MAX line)
Capacity Waste Water Tank	Approx. 0.8L (to MAX line)
Wattage (W)	1200W
Dimensions :	(H) 30.5X(W) 33.5X(D) 23 cm

ENERGY CONSUMPTION

Product information for power consumption and maximum time to reach applicable low power mode

Off mode	Power Consumption (Off Mode)	0.3W
	Setting and the maximum time needed to reach the applicable low power condition.	When the appliance is connected to the mains and the power dial is set to the "O" (off) position, this mode will be reached immediately.
Standby mode	Power Consumption (Standby)	N/A
	Setting and the maximum time needed to reach the applicable power condition.	The appliance does not incorporate a standby mode.

TROUBLESHOOTING

Problem	Cause	Action
Not working properly	Waste water tank full	Empty waste water tank
	Power plug not fully inserted	Plug in the power plug
	The power off time is too long and the unit is hot	Unplug and allow to cool for about 2 hours, then plug in and use
Restricted water spray	Issue with hose	Check for blockages/ damage
	Water tank not inserted correctly	Remove and insert correctly
	Inlet air sponge filter is blocked	Remove and clean or replace sponge

GUARANTEE AND CUSTOMER SERVICES

This product is guaranteed for **12 months** from the date of the original purchase. If any defect arises due to faulty materials or workmanship, the faulty product must be returned to the place of purchase. Refund or replacement is at the discretion of the retailer.

The following conditions apply:

- The product must be returned to the retailer with the original proof of purchase.
- The product must be installed and used in accordance with the instructions contained in this instruction guide and any other instructions for use which are supplied.
- It must be used for domestic purposes only and for its intended use.
- This warranty does not cover wear and tear, damage, misuse or consumable parts.

This does not affect your statutory rights.

CONNECTION TO THE MAINS SUPPLY

This appliance is designed to operate from a mains supply of 220-240V~50-60Hz.

Check that the voltage marked on the product corresponds with your supply voltage.

How to change the fuse

1. Slot the end of a screwdriver into the recess in the fuse holder of the plug.
2. Pull the fuse holder upwards until free of the plug and slide the fuse out.
3. Replace the fuse and replace fuse holder, pushing down until locked into place.

Important: Only ever use a BS1362 fuse with the same rating marked on the non-rewirable plug.

