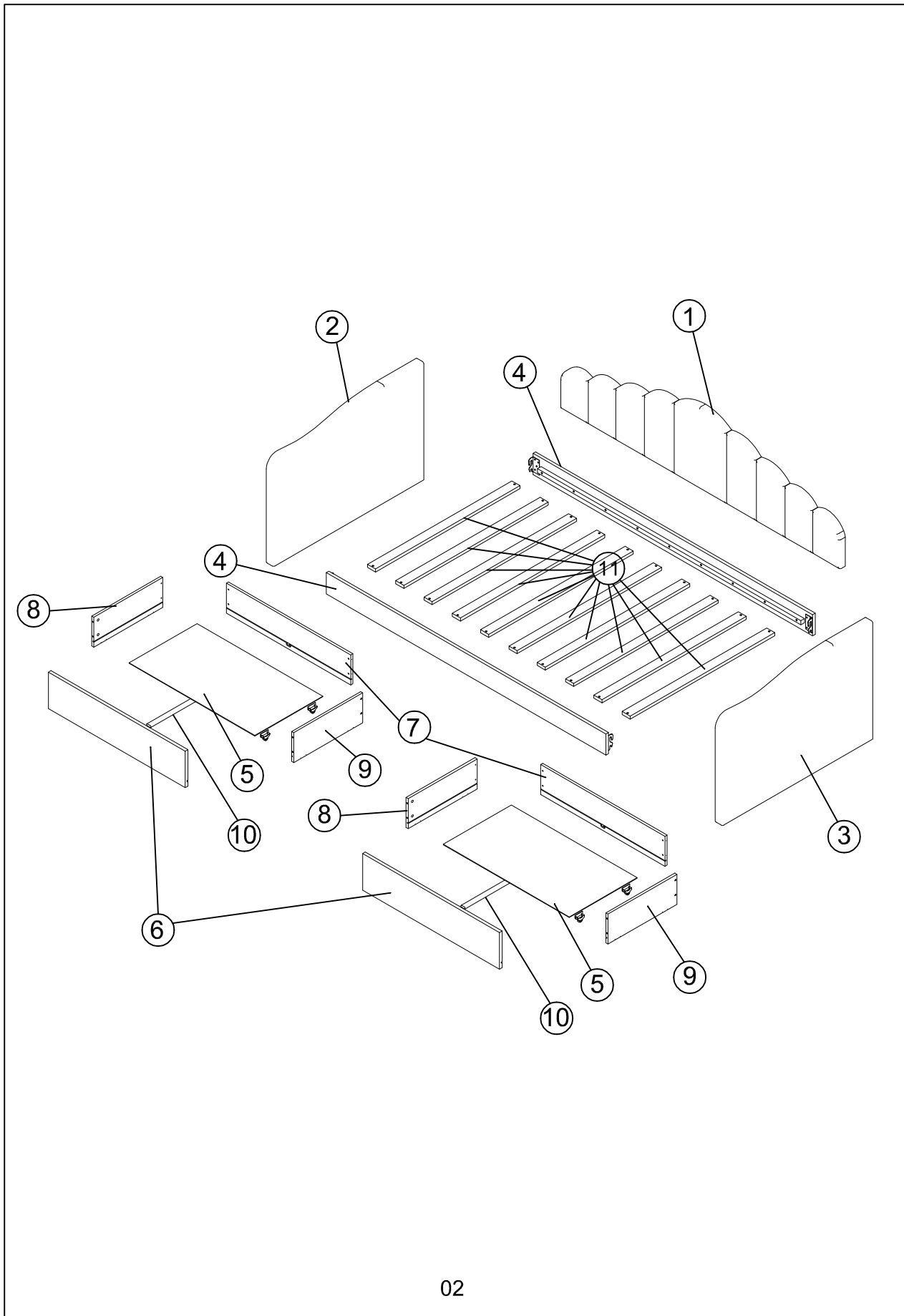


# ASSEMBLY INSTRUCTIONS

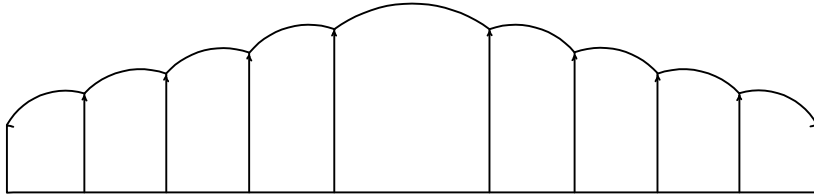


# PARTS

check that you've received  
all parts listed below

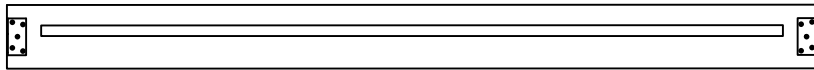
BOX:1/2

1



(1 pc)

4



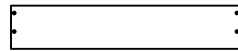
(2 pcs)

6



Front Drawers  
(2 pcs)

7



Back Drawer  
(2 pcs)

8



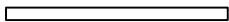
Left Drawer  
(2 pcs)

9



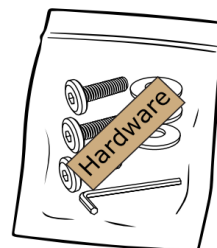
Right Drawer  
(2 pcs)

10



Support Drawer  
(2 pcs)

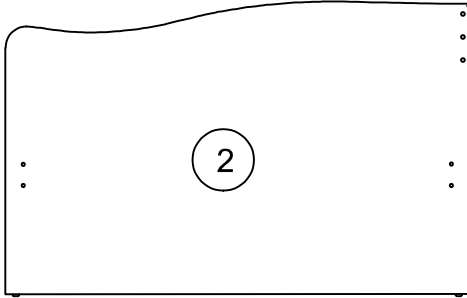
HARDWARE



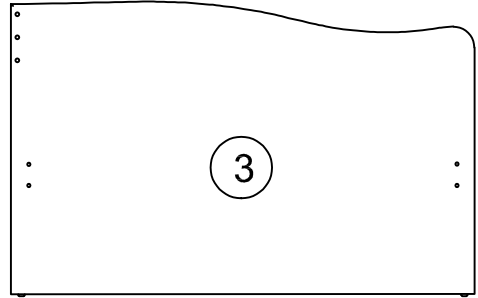
# PARTS

check that you've received  
all parts listed below

BOX:2/2



(1 pc)



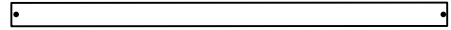
(1 pc)

5



Bottom Drawer  
(2 pcs)

11



Slat  
(10 pcs)

# HARDWARE

check that you've received  
all parts listed below

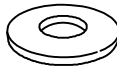
## Hardware List

A



Ø 5/16" x 38 mm  
8 pcs

B



Ø19 x 1.5 mm  
12 pcs

C



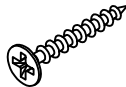
Ø13 x 1 mm  
12 pcs

D



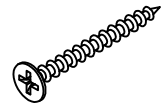
80 x 23 x 4 mm  
1 pc

E



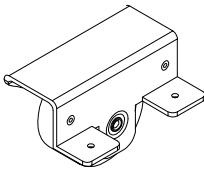
Ø4 x 15 mm  
36 pcs

F



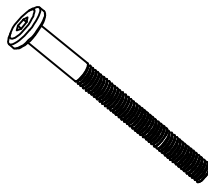
Ø4 x 30 mm  
30 pcs

G



50 x 45 x 25 mm  
8 pcs

H



Ø 5/16" x 110 mm  
4 pcs

M



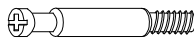
Steel Pat 50x35x38 mm  
2 pcs

K







Cam lock Ø15x13 mm  
8 pcs

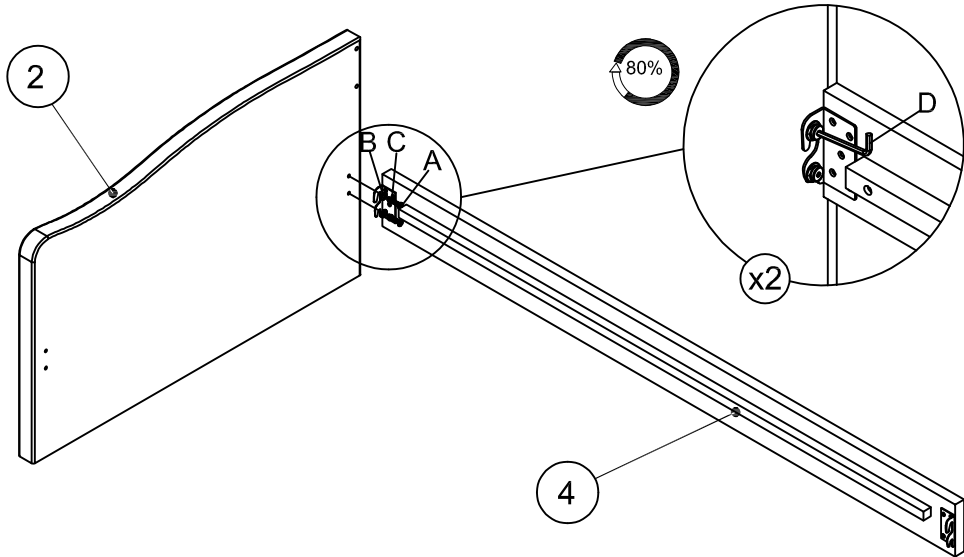
L







Cam lock Ø6x35 mm  
8 pcs

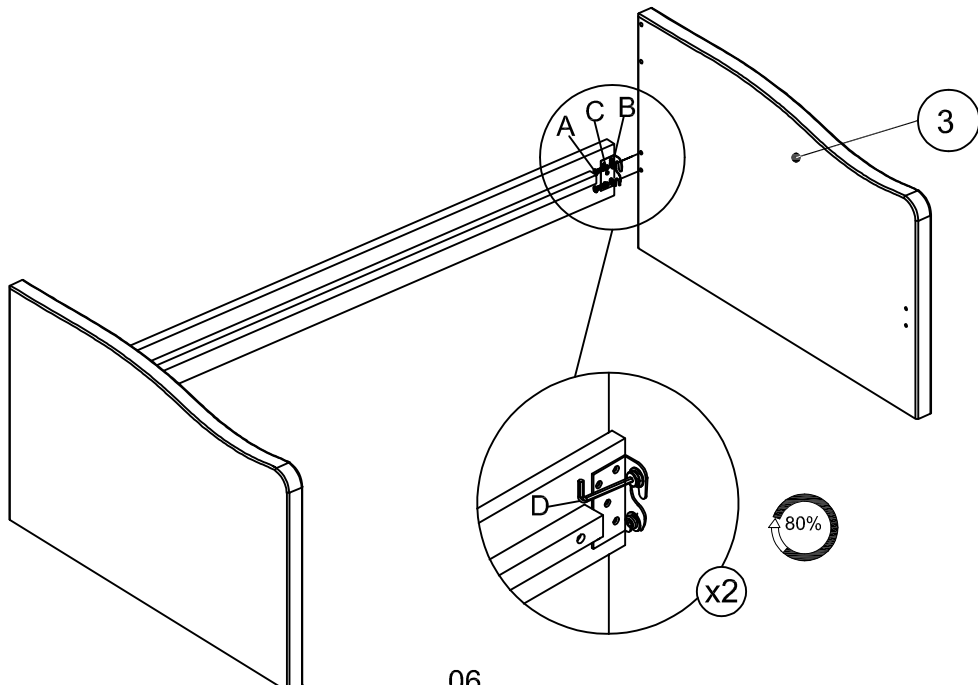
# STEP 1

A x 2  Ø 5/16" x 38 mm	B x 2 	C x 2 	D x 1 	
---	--	--	---	--







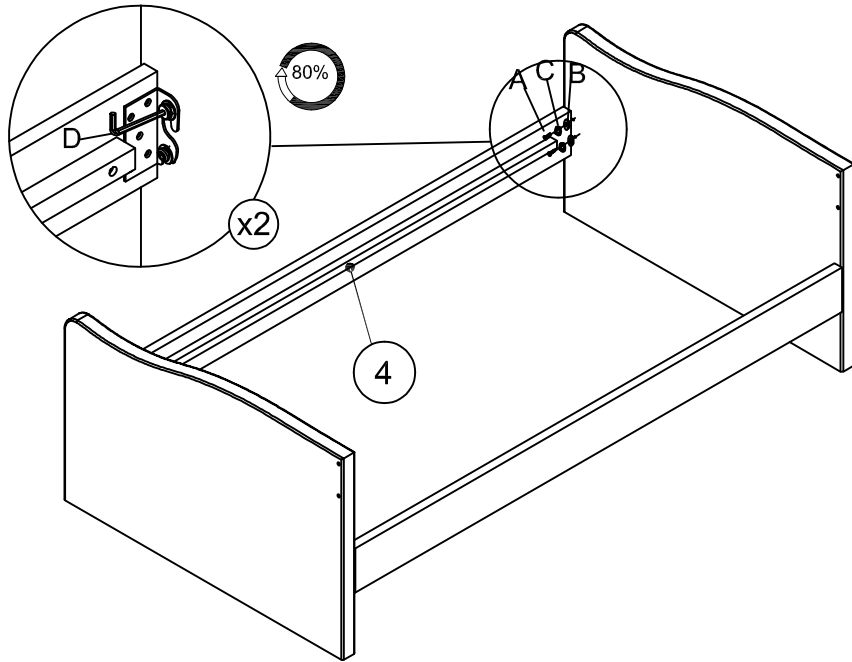
# STEP 2

A x 2  Ø 5/16" x 38 mm	B x 2 	C x 2 	D x 1 	
---	--	--	---	--







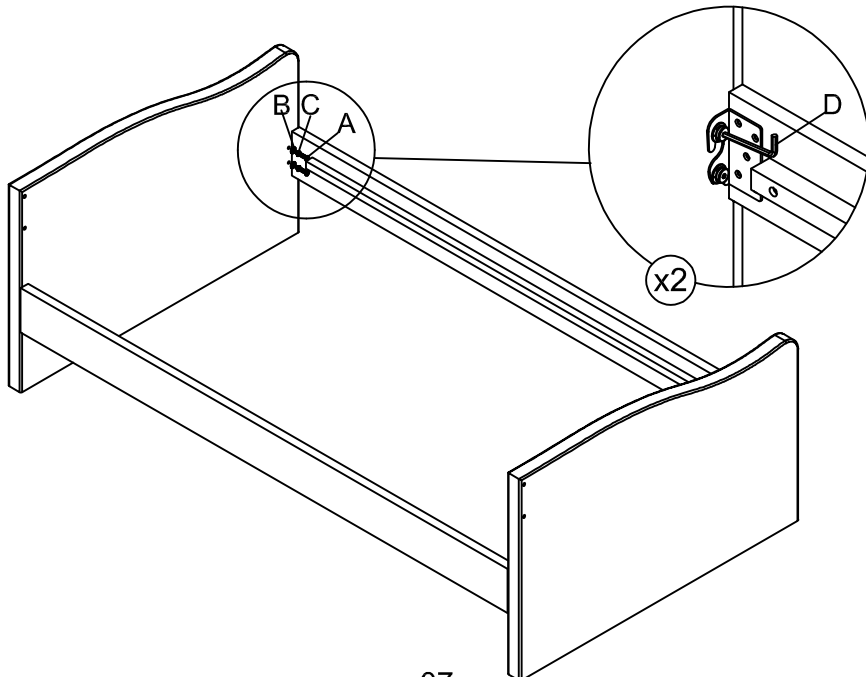
# STEP 3

A x 2  Ø5/16" x 38 mm	B x 2 	C x 2 	D x 1 	
--	--	--	---	--







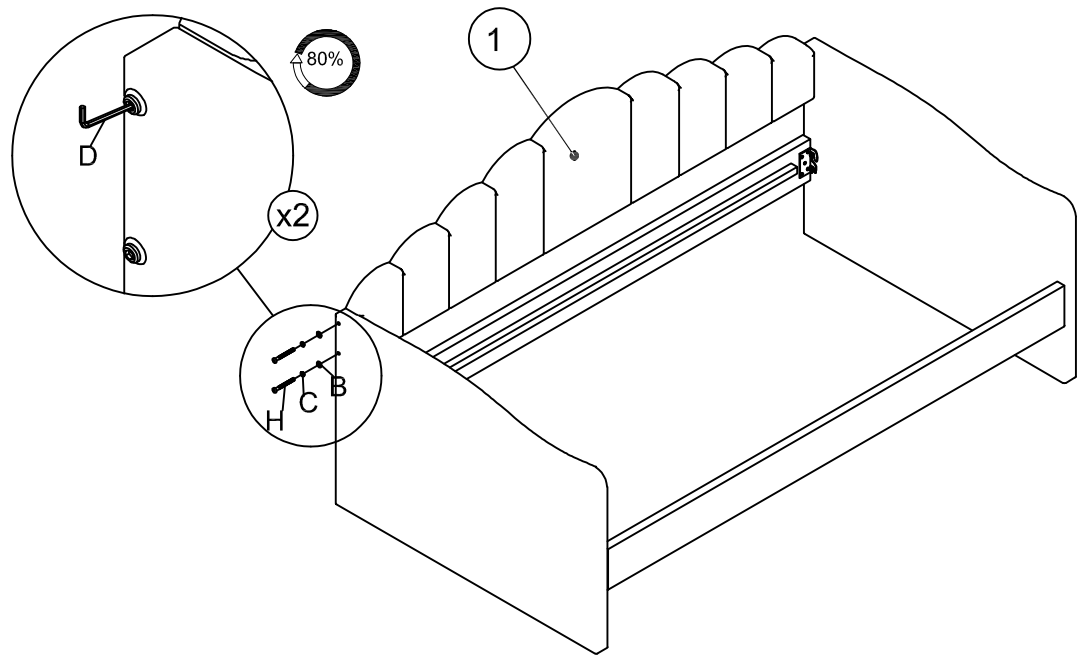
# STEP 4

A x 2  Ø5/16" x 38 mm	B x 2 	C x 2 	D x 1 	
--	--	--	---	--







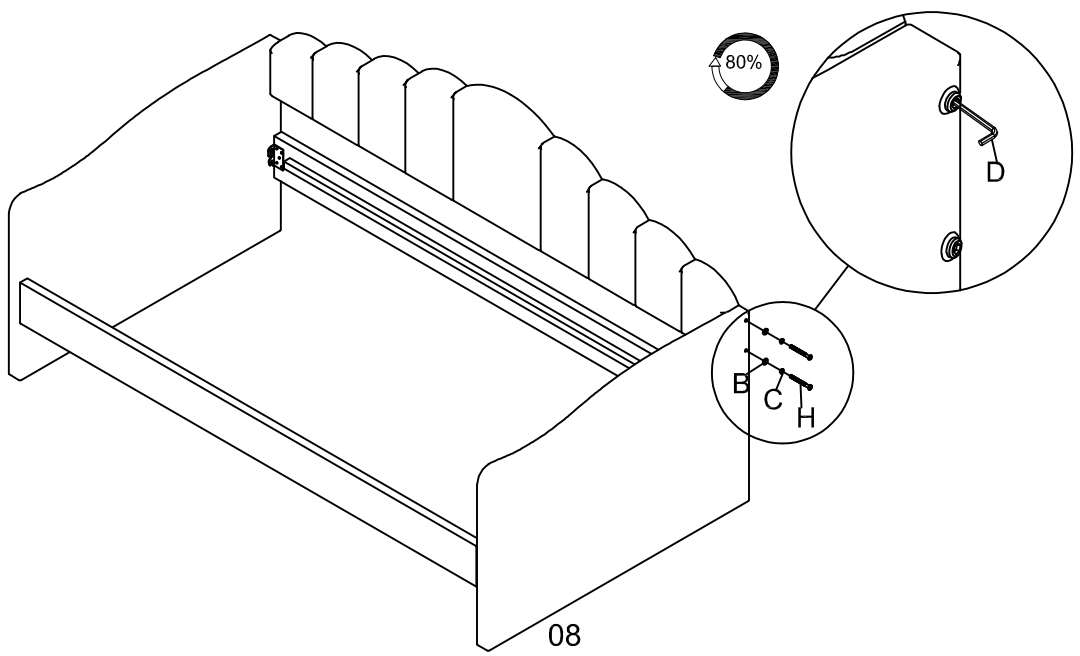
# STEP 5

 H x 2 Ø 5/16" x 110 mm	 B x 2	 C x 2	 D x 1	
--	--	--	---	--

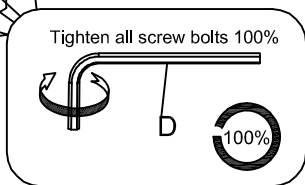
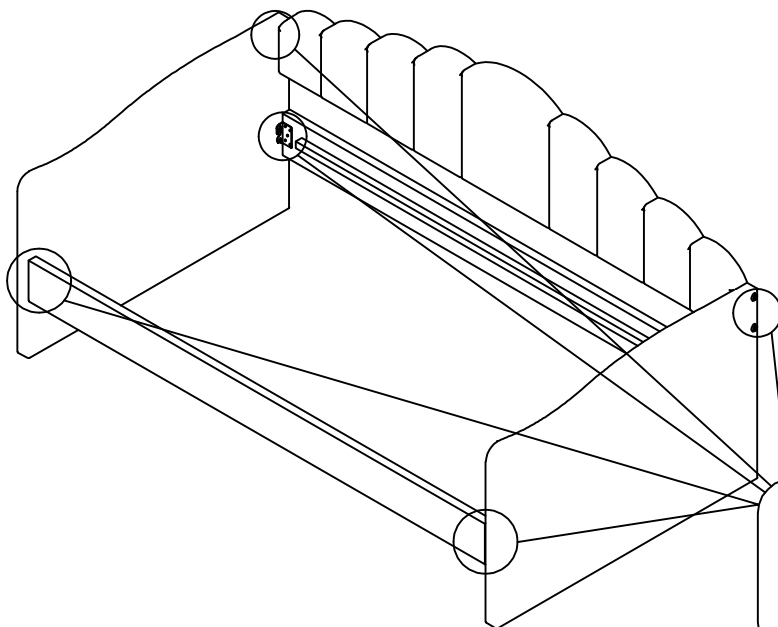
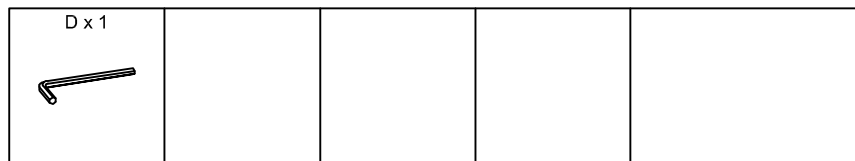


# STEP 6

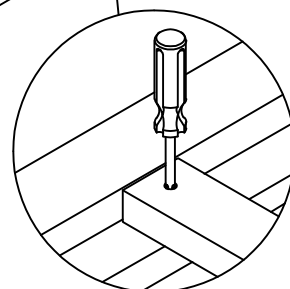
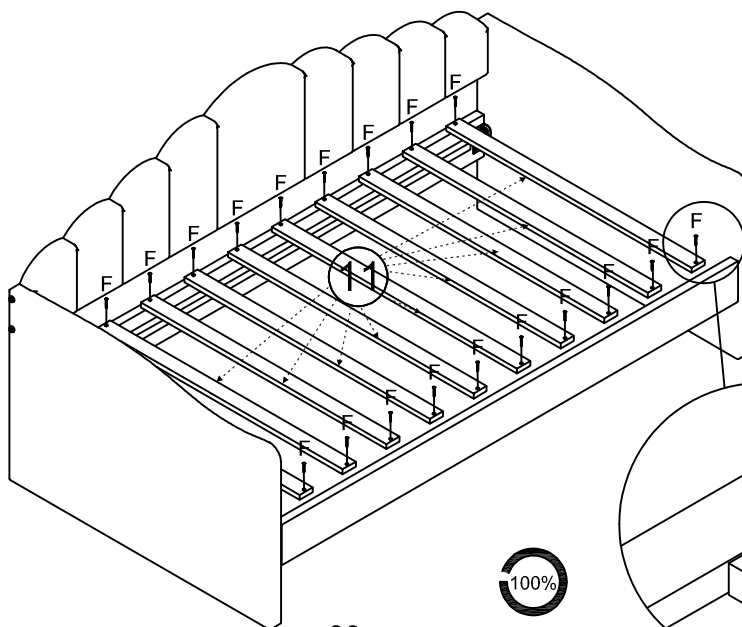
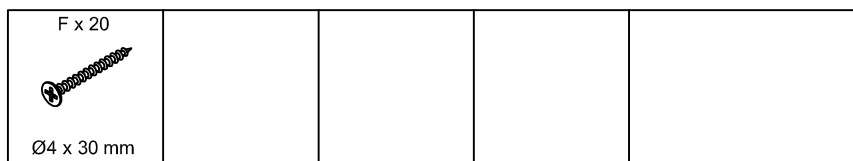
 H x 2 Ø 5/16" x 110 mm	 B x 2	 C x 2	 D x 1	
--	--	--	---	--



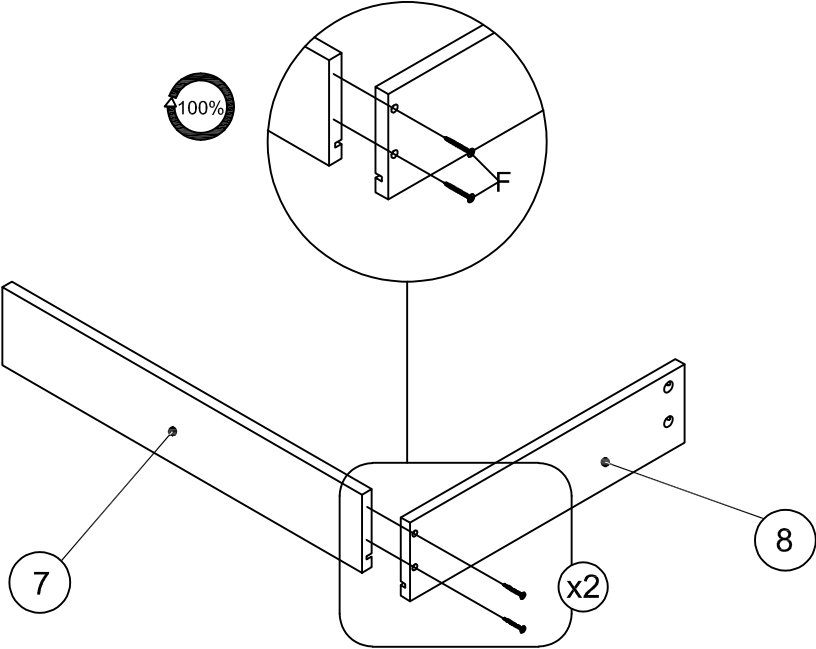
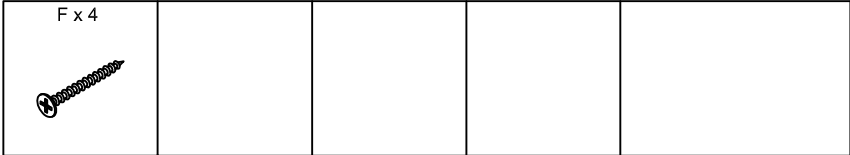
# STEP 7



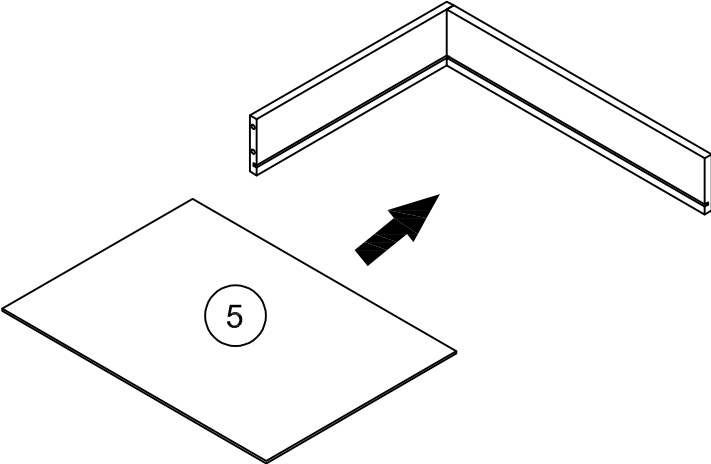
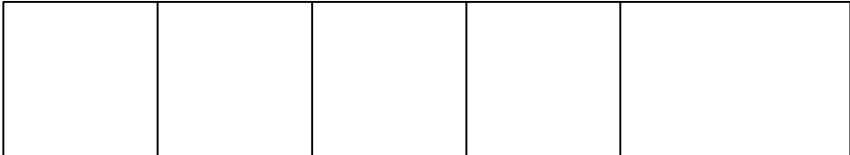
# STEP 8



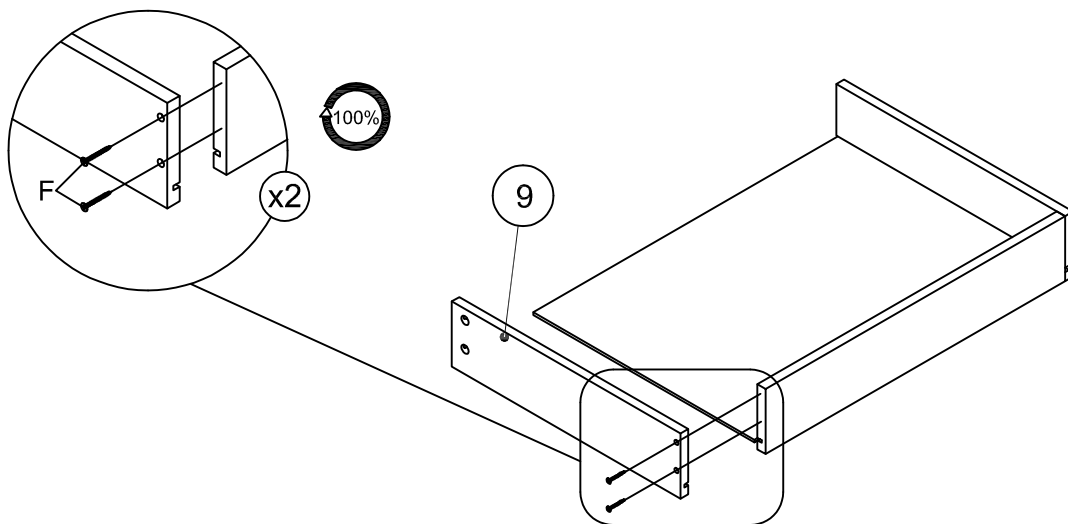
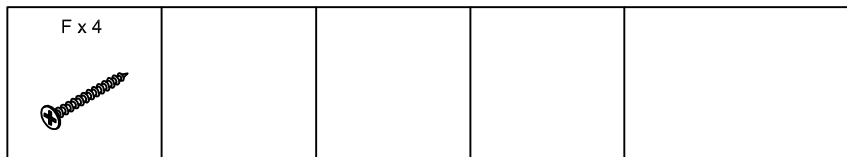
# STEP 9



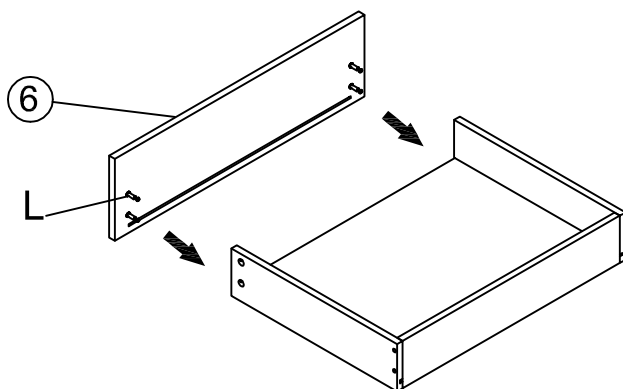
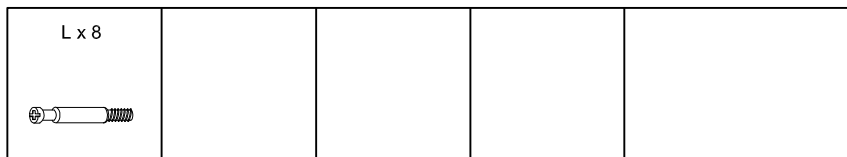
# STEP 10



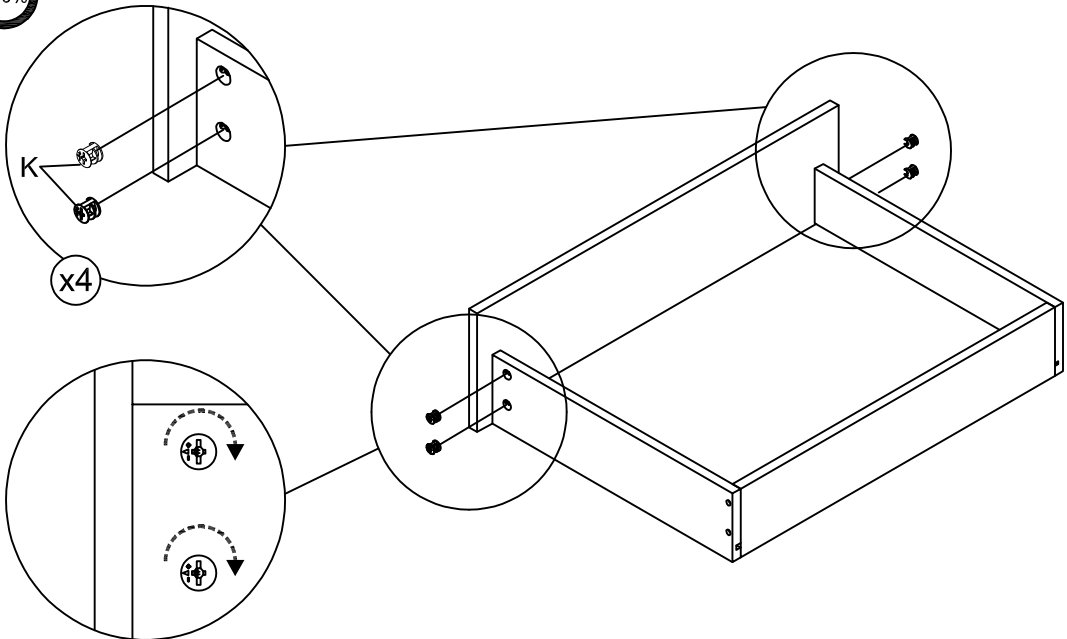
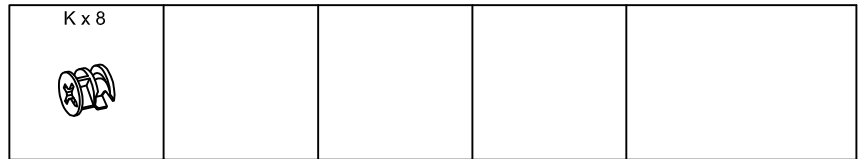
# STEP 11



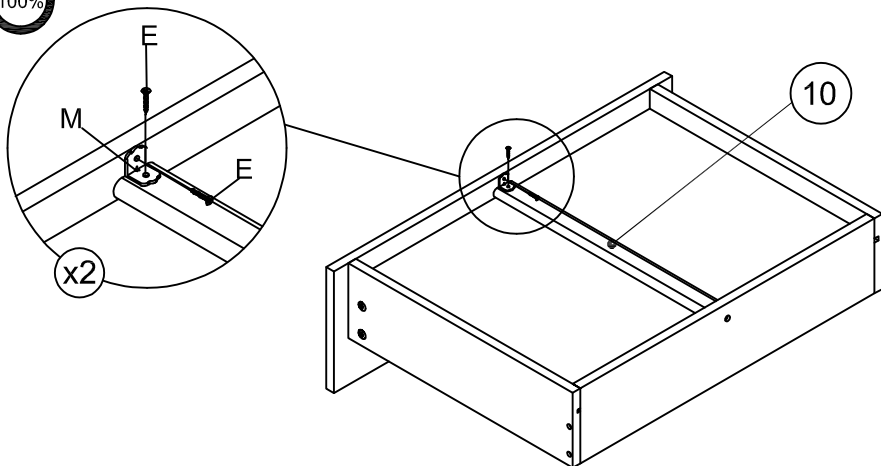
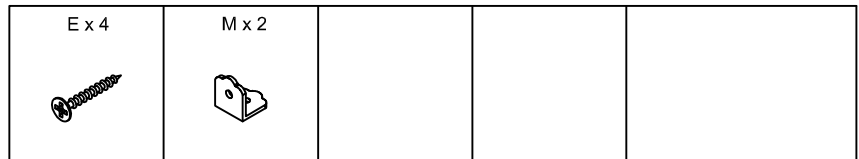
# STEP 12



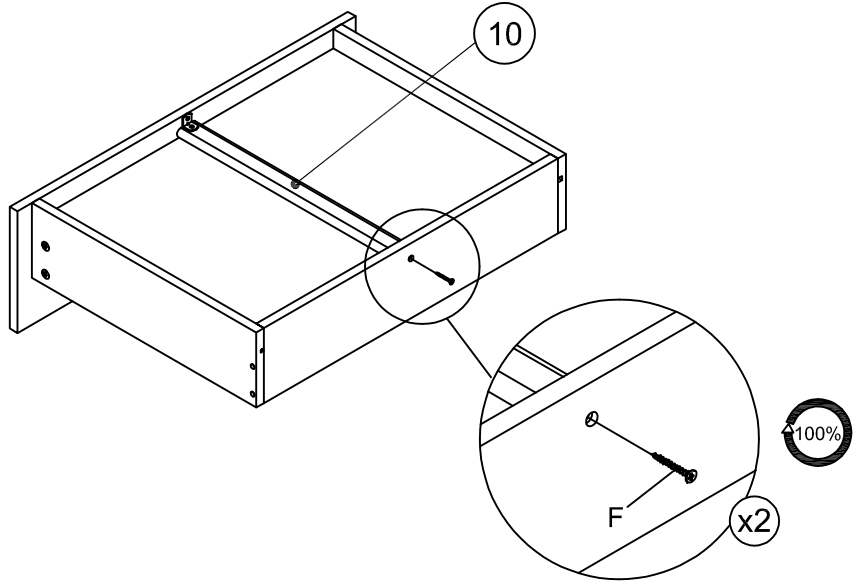
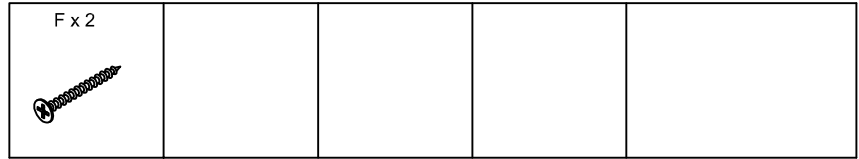
# STEP 13



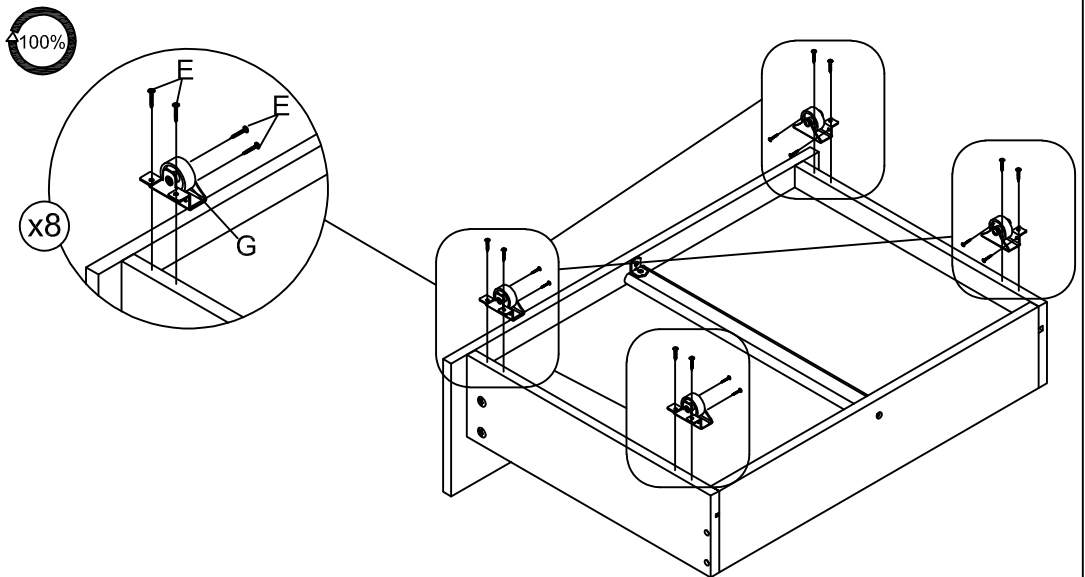
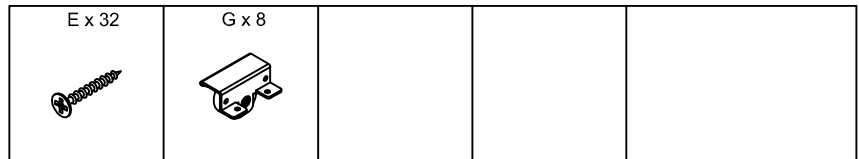
# STEP 14



# STEP 15



# STEP 16



FINISHED

