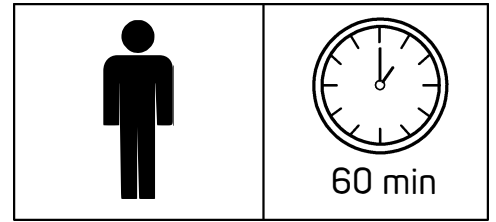
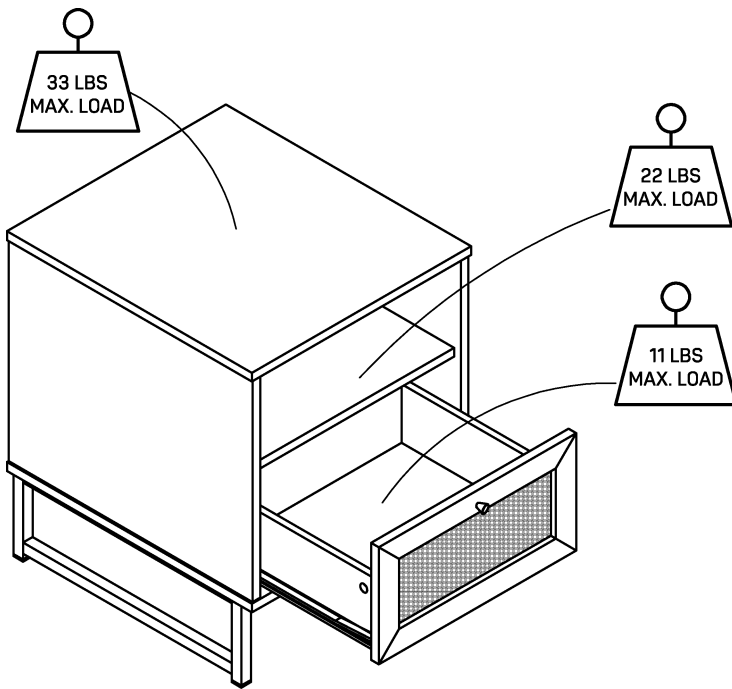


Thank you for your purchase!



END TABLE WITH STORAGE

ASSEMBLY INSTRUCTIONS

Before You Begin: Phillips screwdriver required for assembly (Not included)

Please identify all component parts and hardware pieces required before you begin. Carefully remove all of the components from the packaging and set aside for assembly. Assemble on a soft surface to prevent scratching during assembly.

Caution:

Tighten all components securely before use. Failure to do so may result in personal injury.

DO NOT use any sharp objects to open plastic wrapped components as damage to product or components may result.

Warning:

CHOKING HAZARD - Small Parts. Adult Assembly Required.

Injuries may result from tipping furniture. You must install Tipping Restraint Hardware with the unit to prevent the unit from tipping and causing any accidental injury, instability, death or damage. The tipping restraint is intended only as a safety measure, it is not a substitute for proper adult supervision.

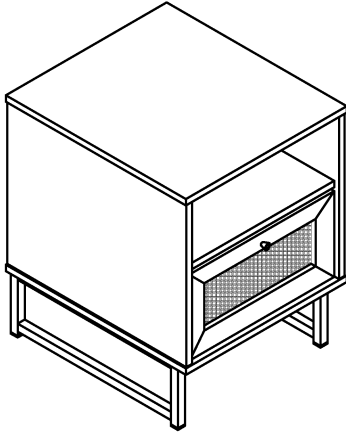
The tipping restraint is not an earthquake restraint. If you wish to add the extra security of earthquake restraints, they must be purchased and installed separately.

Serious or fatal crushing injuries can occur from furniture tipping over. To prevent furniture from tipping over it must be permanently fixed to the wall. Fixing devices for the wall are not included since different wall materials require different types of fixing devices. Use fixing devices suitable for the walls in your home.

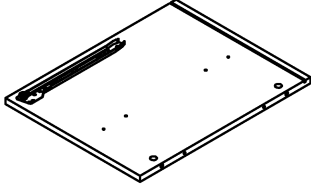
Note: Manufacturer assumes no liability for improper installation or excessive loads placed on screws or brackets.

Failure to detach this restraint before moving furniture may result in injury or damage. **DO NOT ALLOW CHILDREN TO CLIMB ON FURNITURE**

PARTS LIST

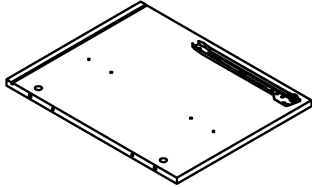


(A)



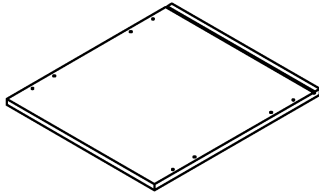
SIDE PANEL RIGHT 1PC

(B)



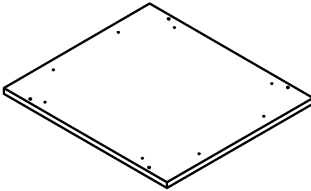
SIDE PANEL LEFT 1PC

(C)



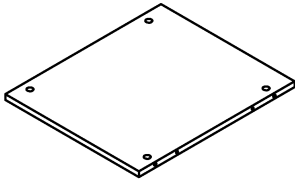
TOP PANEL 1PC

(D)



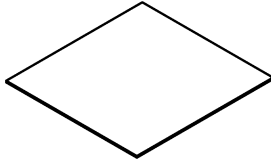
BOTTOM PANEL 1PC

(E)



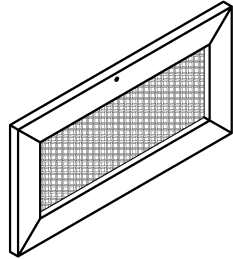
MIDDLE PANEL 1PC

(F)



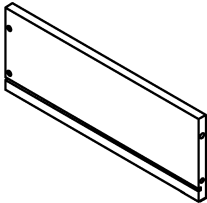
BACK PANEL 1PC

(G)



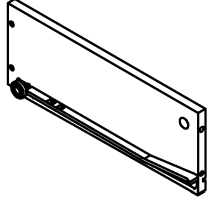
DRAWER FRONT 1PC

(H)



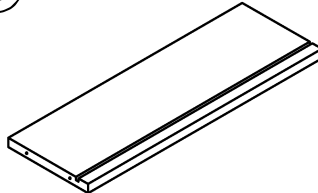
DRAWER SIDE RIGHT 1PC

(I)



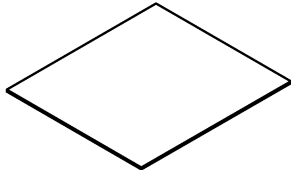
DRAWER SIDE LEFT 1PC

(J)



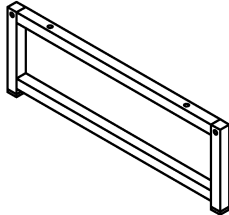
DRAWER BACK PANEL 1PC

(K)



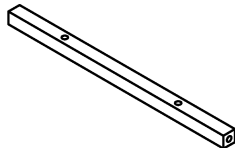
DRAWER BOTTOM 1PC

(L)











SIDE METAL FRAME
17.68" X 5.9" X 0.75" 2PCS








(M)



CROSSRAIL
14.33" X 0.75" X 0.75" 2PCS

HARDWARE LIST

ITEM	DESCRIPTION	QTY
①	0.47" FEMALE CAMLOCK 	8 pcs
②	0.35" FEMALE CAMLOCK 	2 pcs
③	1.26" MALE CAMLOCK 	10 pcs
④	1.18" WOOD DOWEL 	14 pcs
⑤	GLUE 	1 pc
⑥	1.49" SCREW 	4 pcs
⑦	0.98" SCREW 	4 pcs
⑧	METAL KNOB 	1 pc

ITEM	DESCRIPTION	QTY
⑨	0.75" MACHINE SCREW 	1 pc
⑩	1.77" JCBC BOLT 	4 pcs
⑪	ALLEN WRENCH 	1 pc
⑫	PLASTIC WEDGE 	4 pcs
⑬	0.79" CSK CHIPBOARD SCREW 	4 pcs
⑭	0.91" STICKER COVER 	4 pcs
⑮	1.18" JCBC BOLT 	8 pcs

Glue must be applied to both sides of the wood dowels

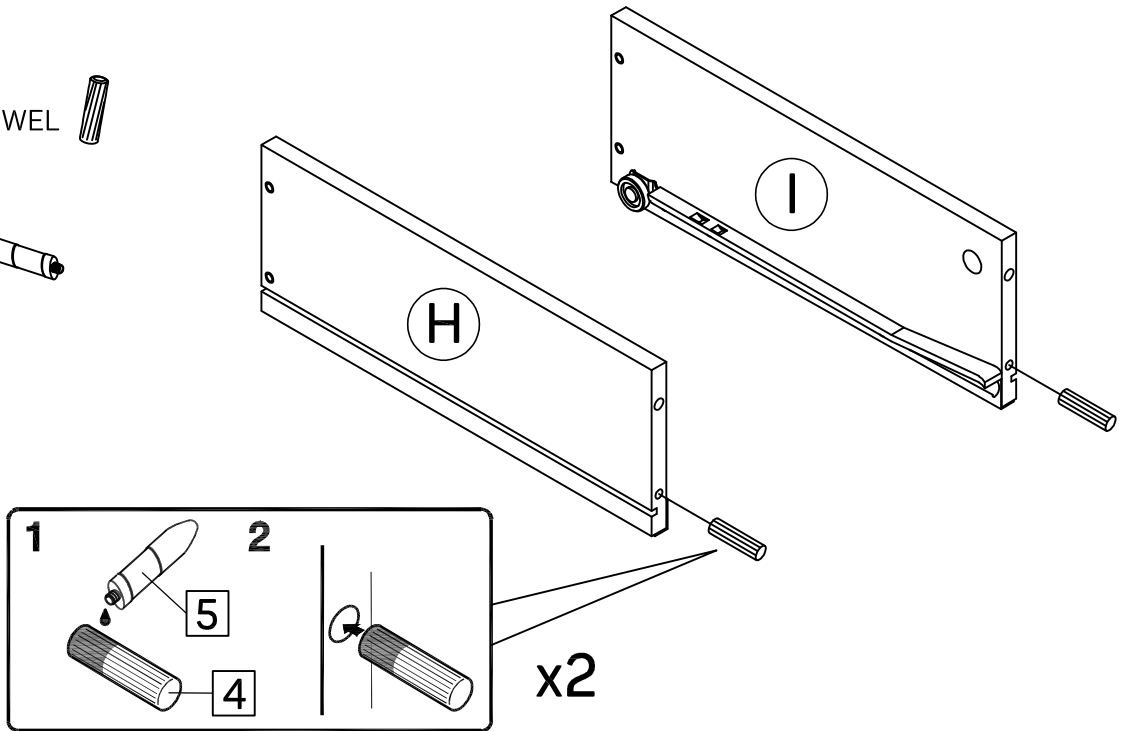


INSTALLATION

STEP 1

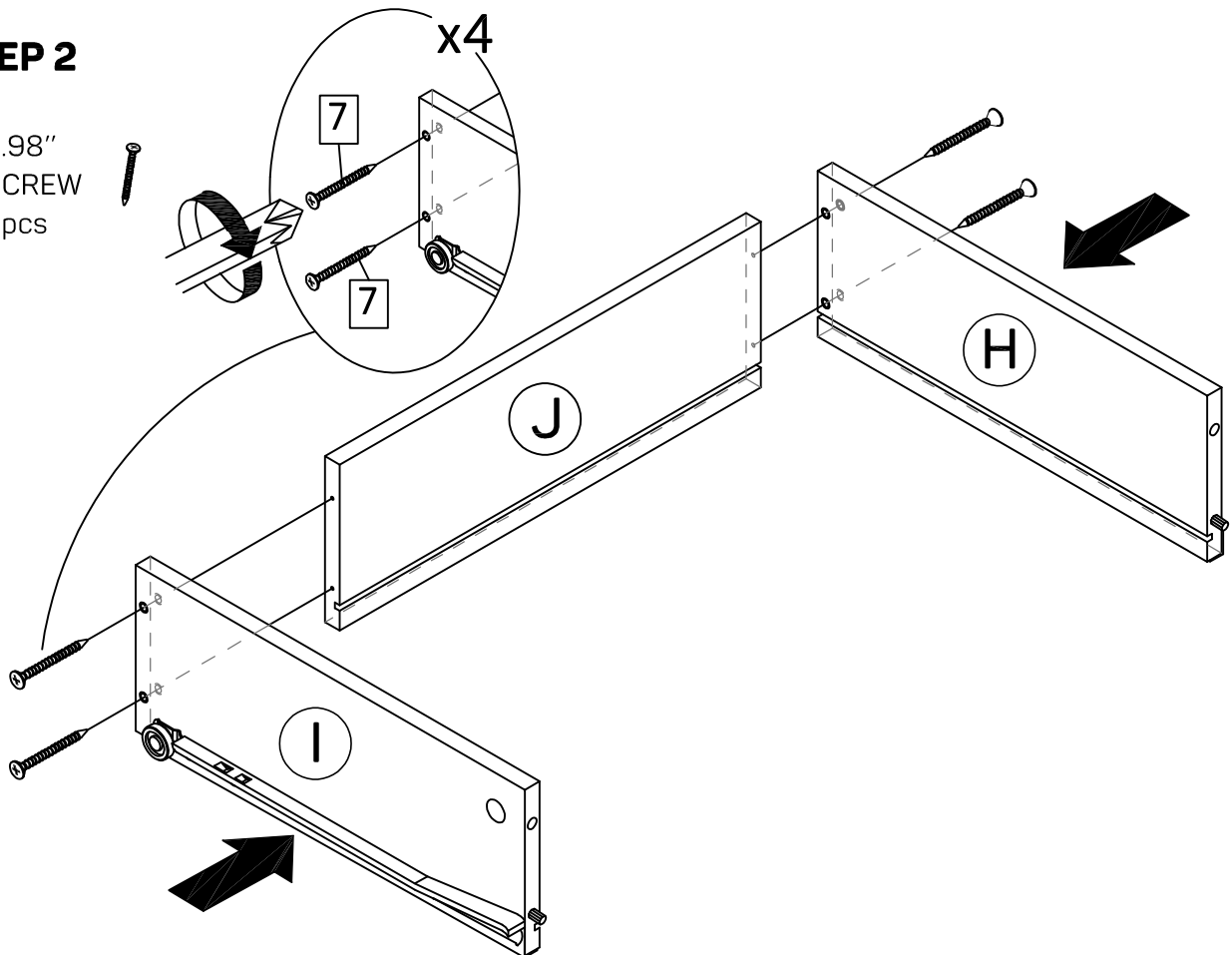
④ 1.18"
WOOD DOWEL
2pcs

⑤ GLUE
1pc

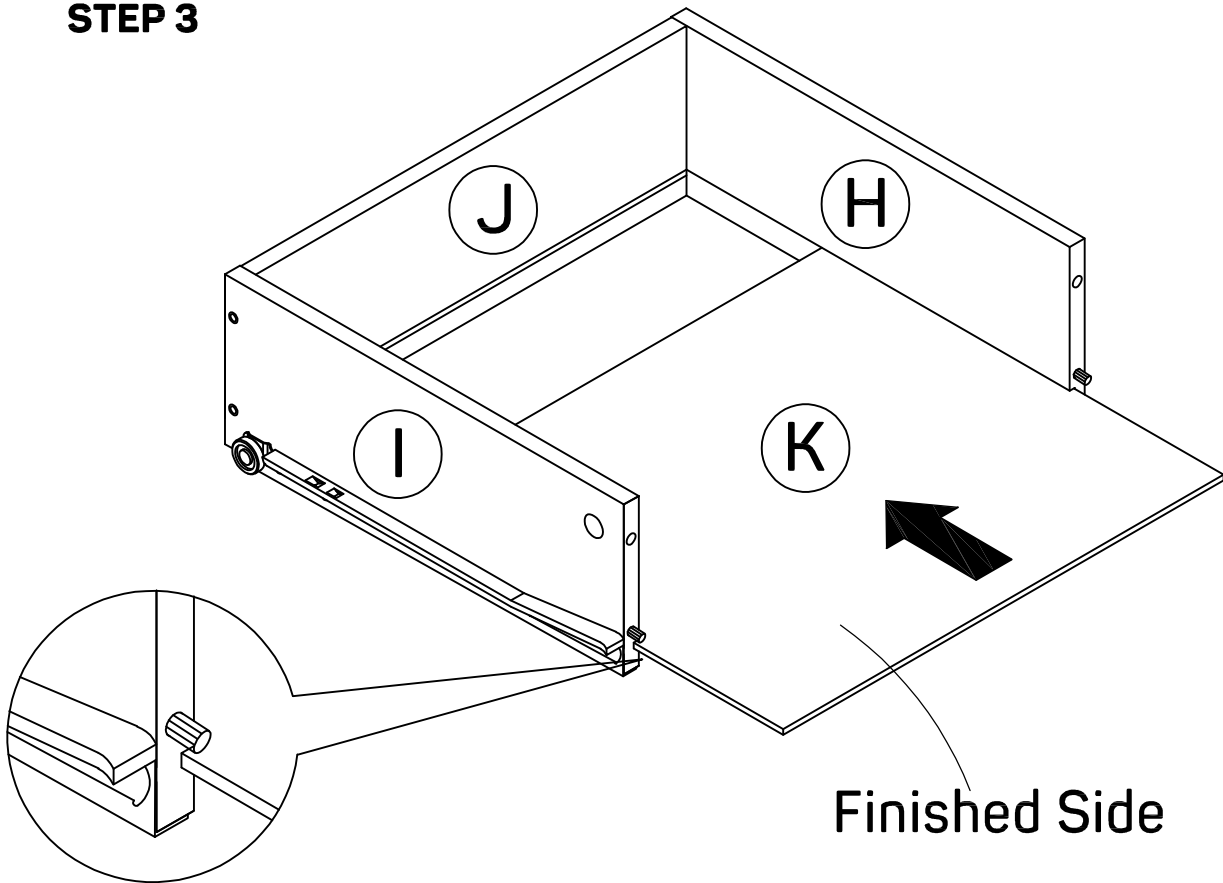


STEP 2

⑦ 0.98"
SCREW
4pcs

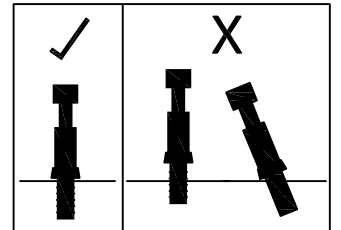
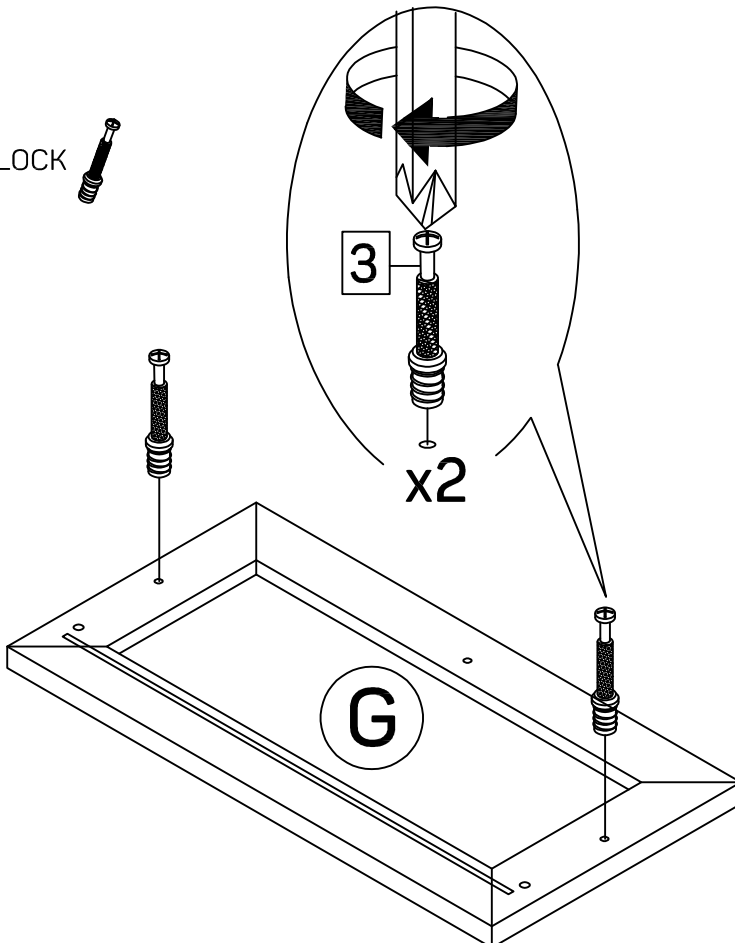


STEP 3





STEP 4

- ③ 1.26" MALE CAMLOCK
2pcs

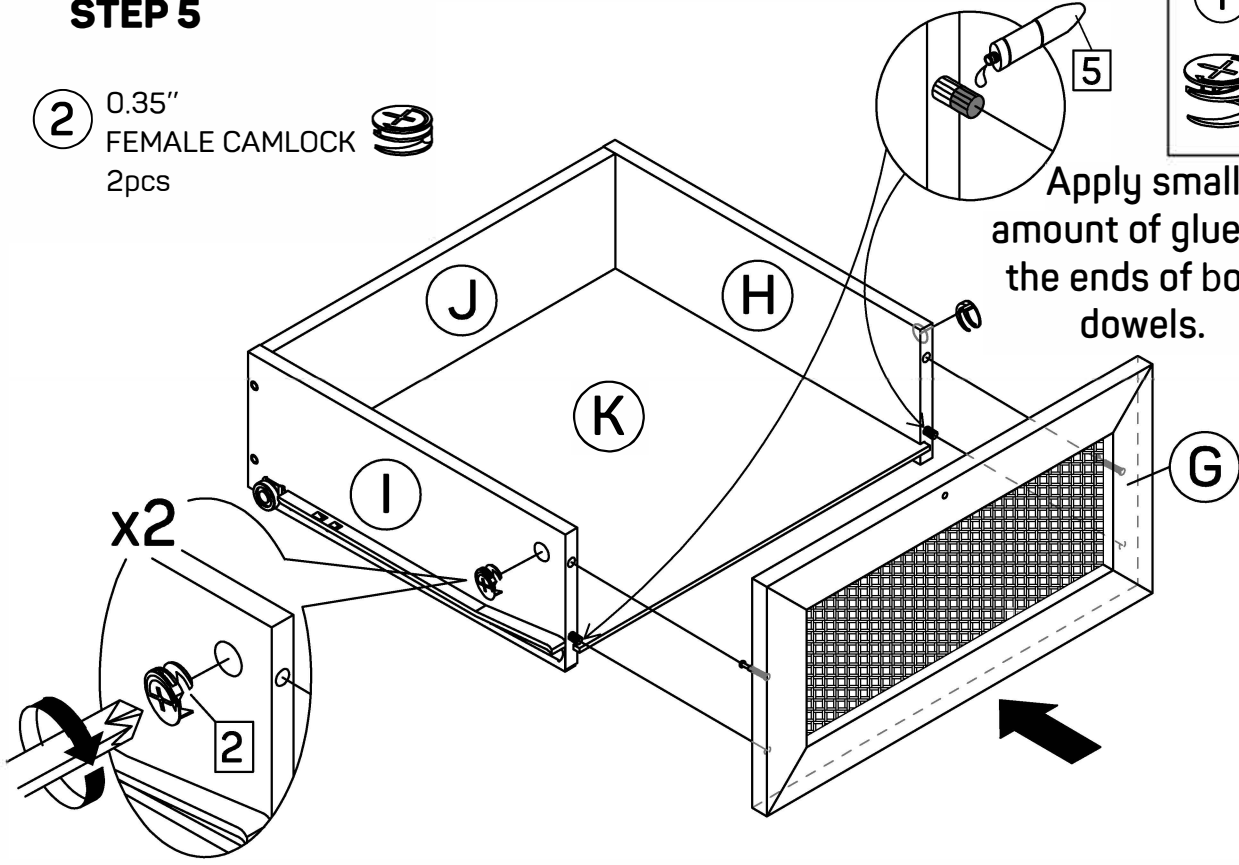


STEP 5

- ② 0.35" FEMALE CAMLOCK
2pcs

X	✓
①	②
	

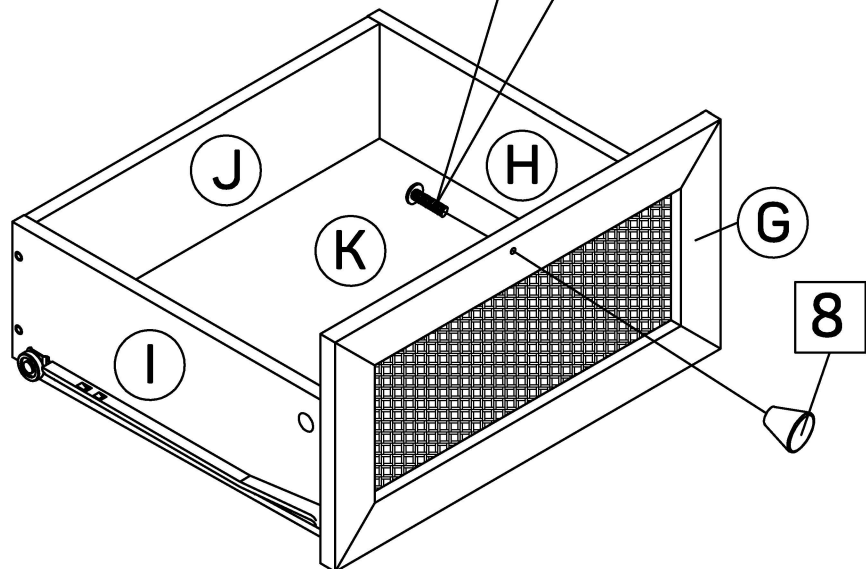
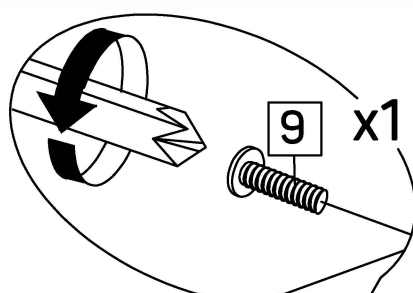
Apply small amount of glue on the ends of both dowels.



STEP 6

- ⑧ METAL KNOB
1pc

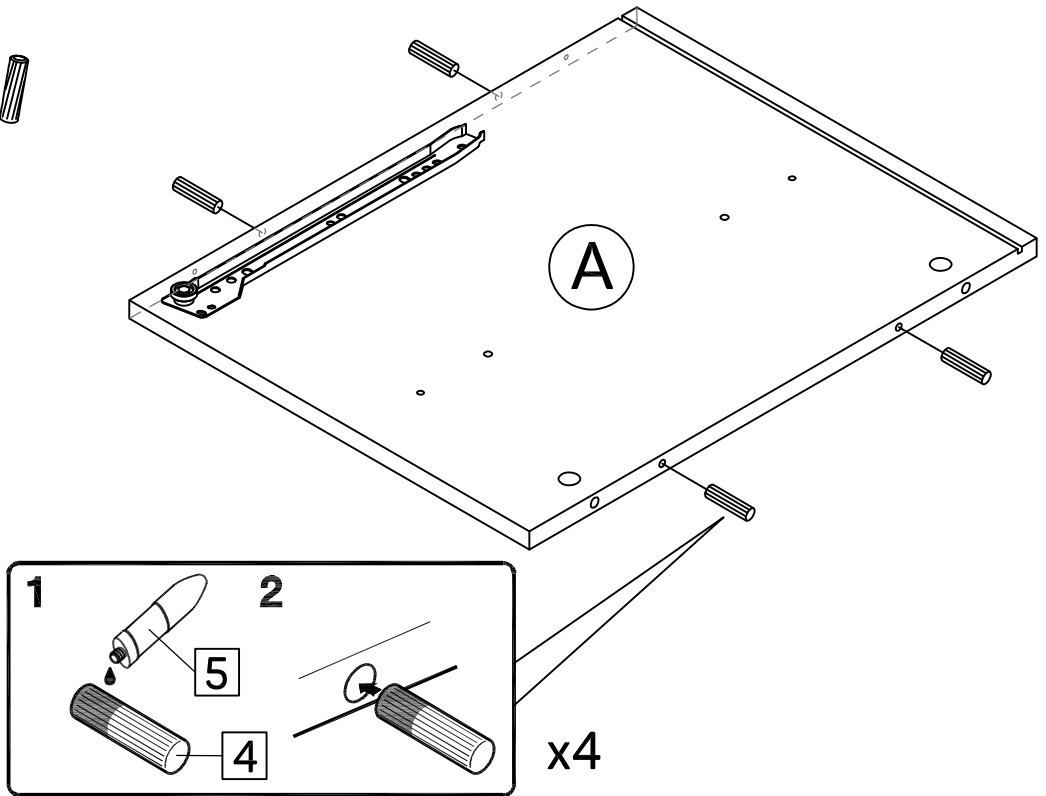
- ⑨ 0.75" MACHINE SCREW
1pc



STEP 7

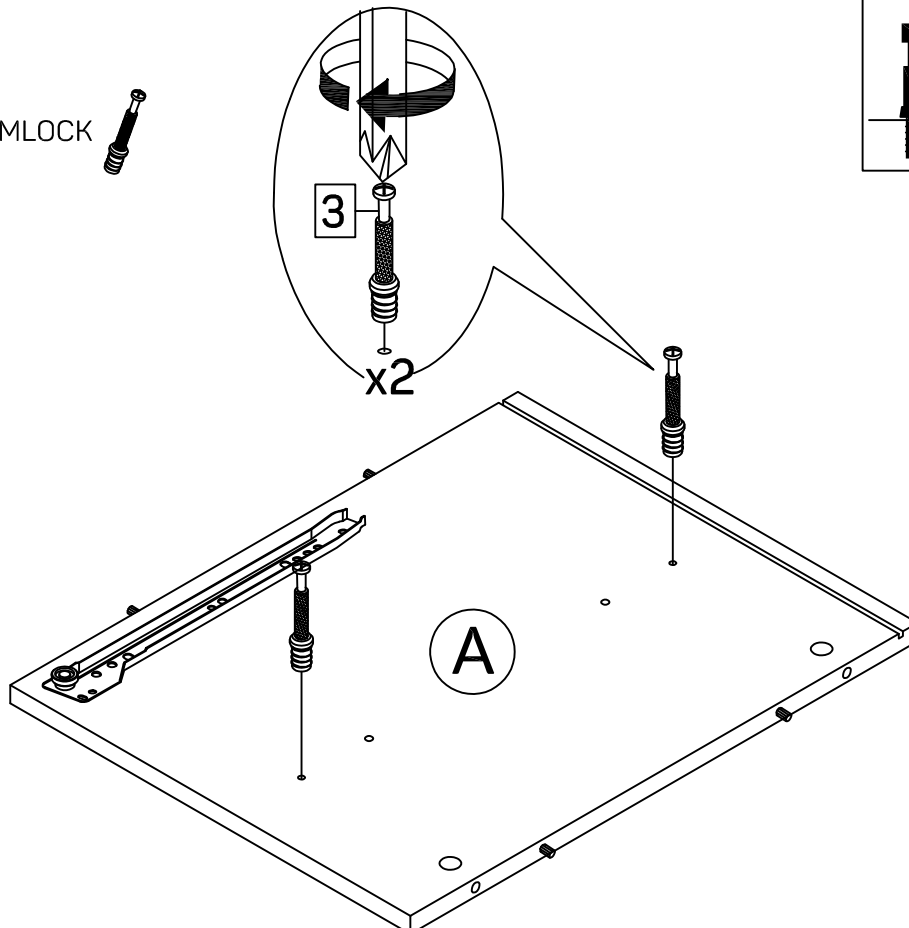
④ 1.18" WOOD DOWEL
4pcs

⑤ GLUE
1pc



STEP 8

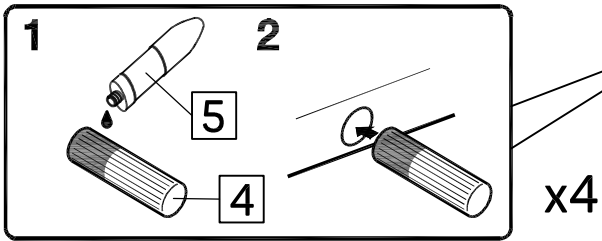
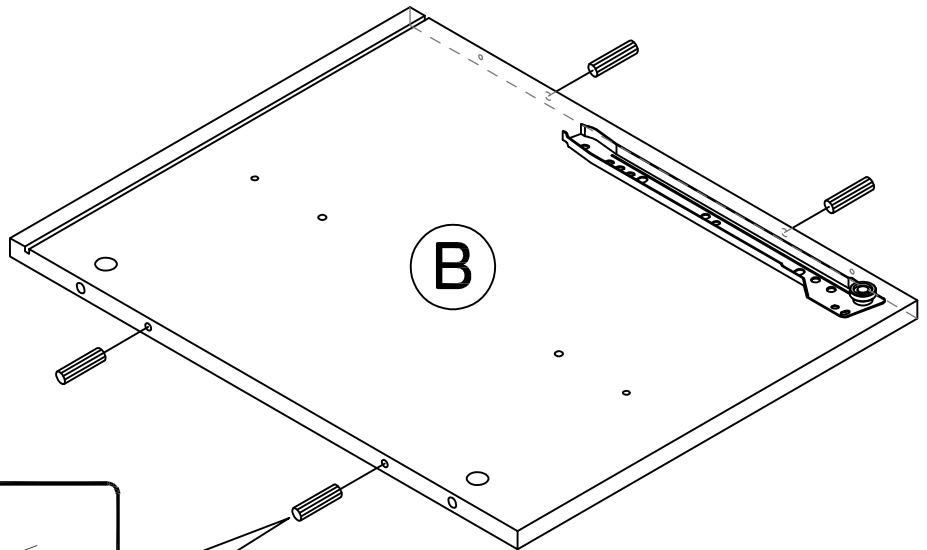
③ 1.26" MALE CAMLOCK
2pcs



STEP 9

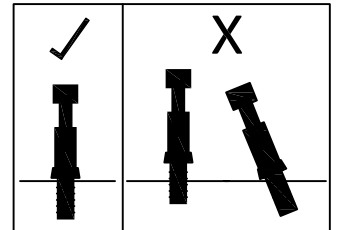
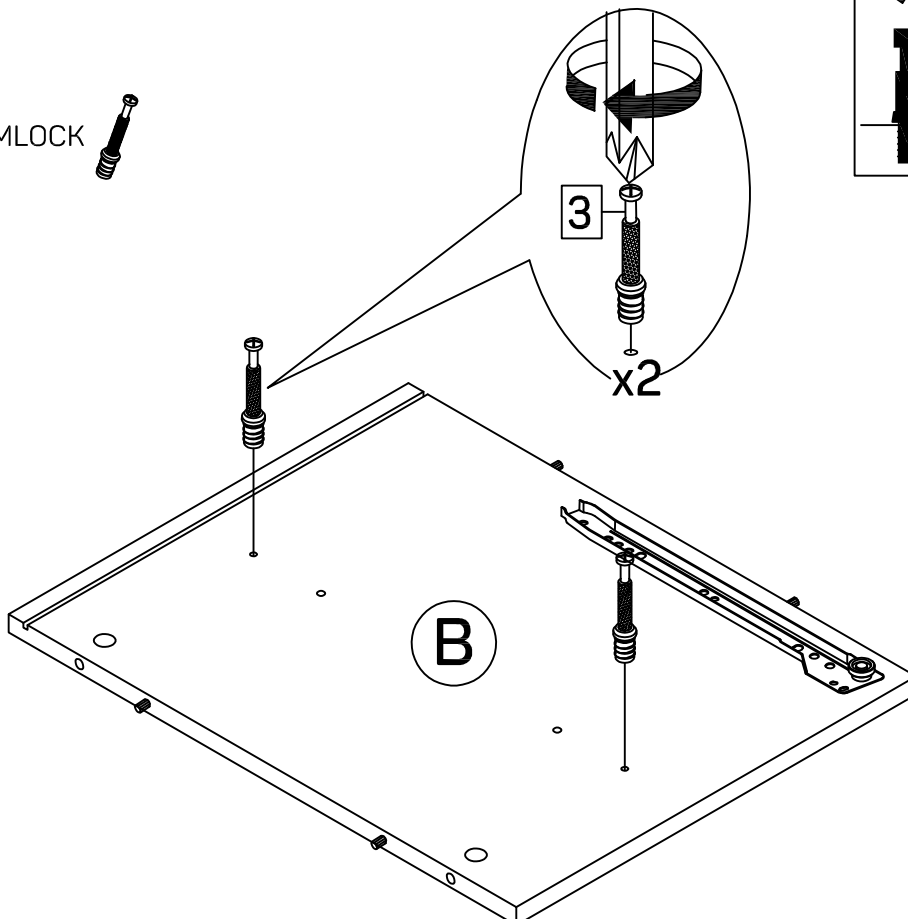
④ 1.18"
WOOD DOWEL
4pcs

⑤ GLUE
1pc



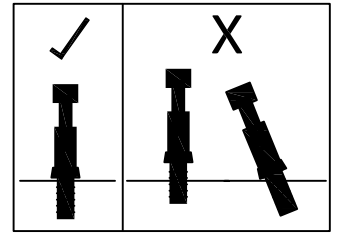
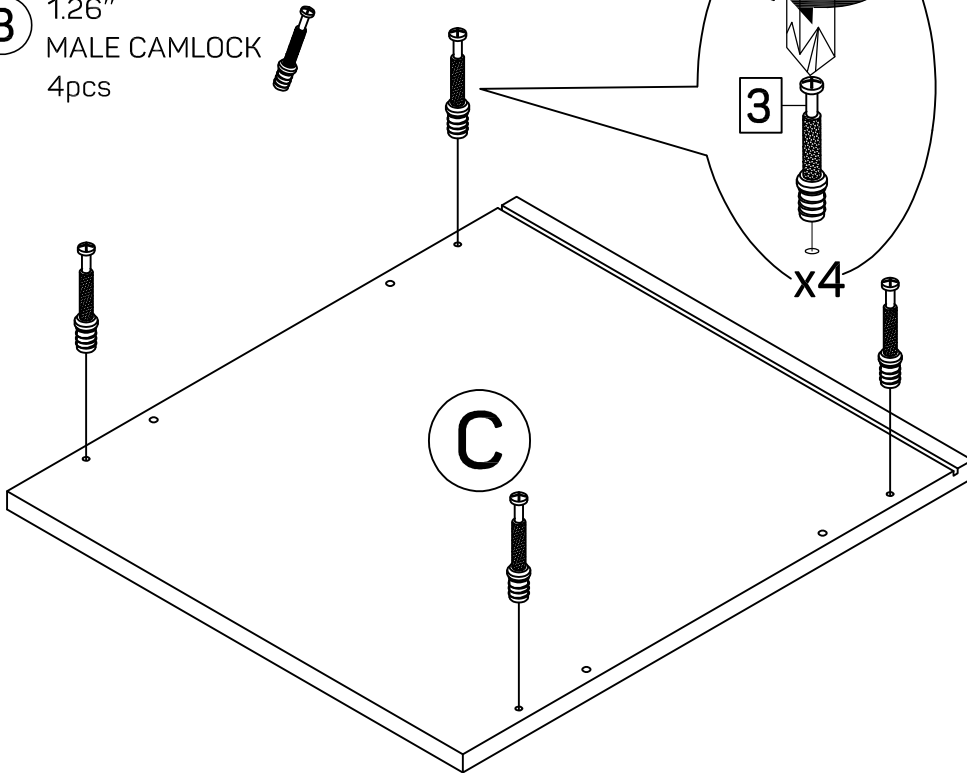
STEP 10

③ 1.26"
MALE CAMLOCK
2pcs



STEP 11

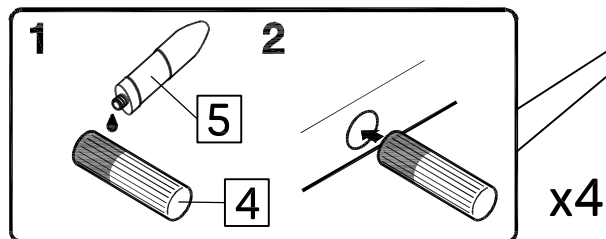
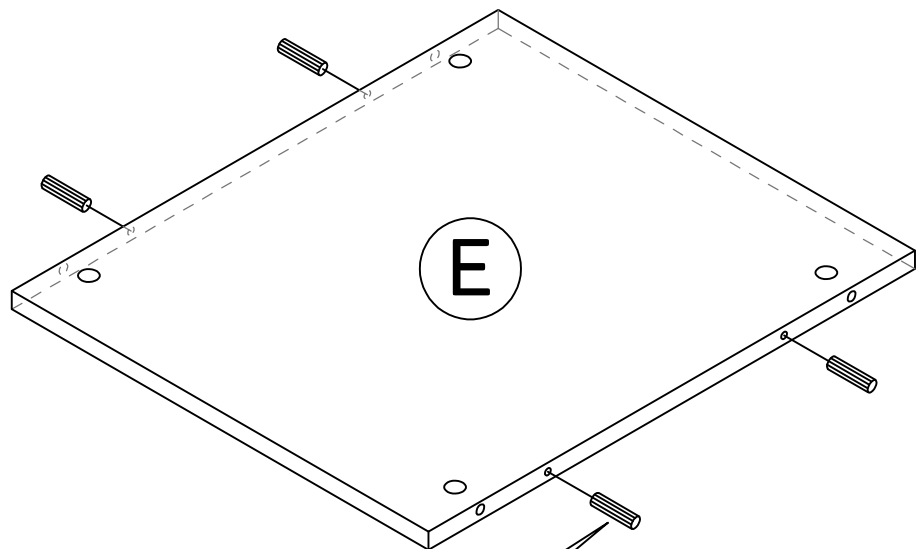
- ③ 1.26" MALE CAMLOCK 4pcs



STEP 12

- ④ 1.18" WOOD DOWEL 4pcs

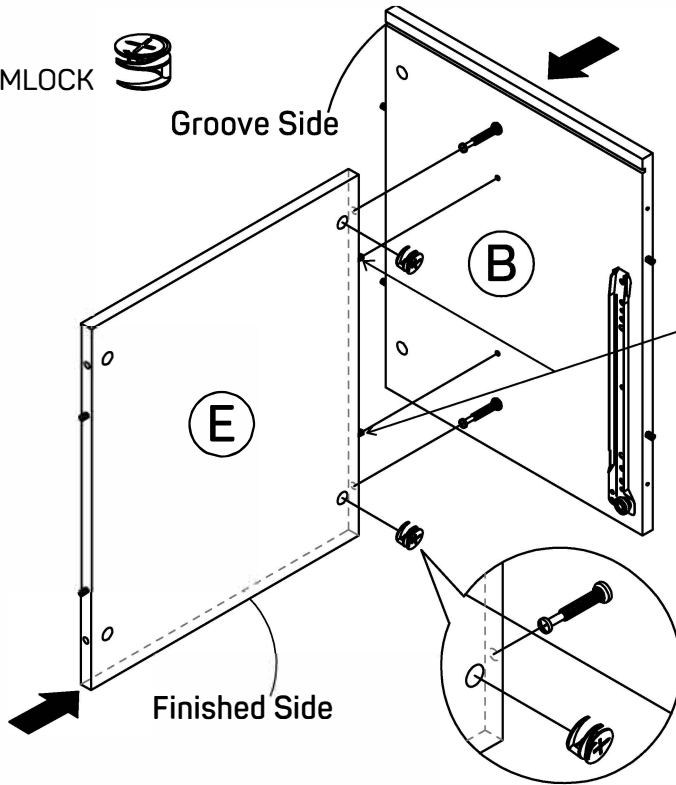
- ⑤ GLUE 1pc



STEP 13

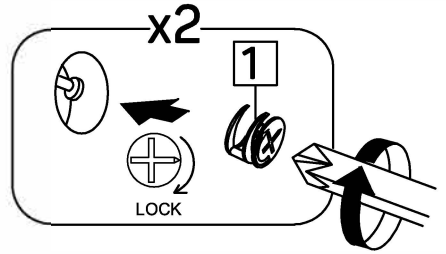
✓ ①	X ②

- ① 0.47" FEMALE CAMLOCK 2pcs



Apply small amount of glue on the ends of both dowels.

5

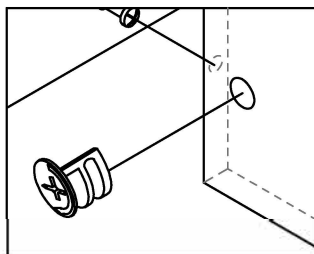
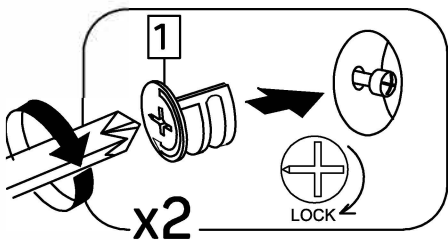
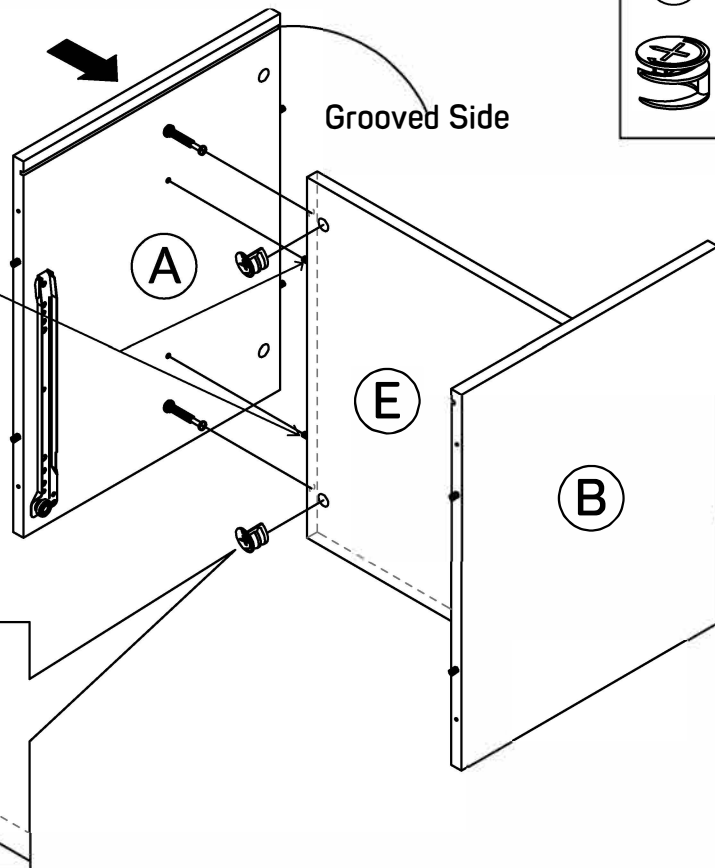
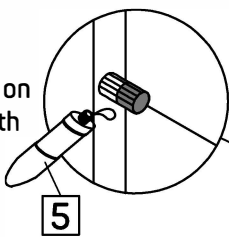


STEP 14

✓ ①	X ②

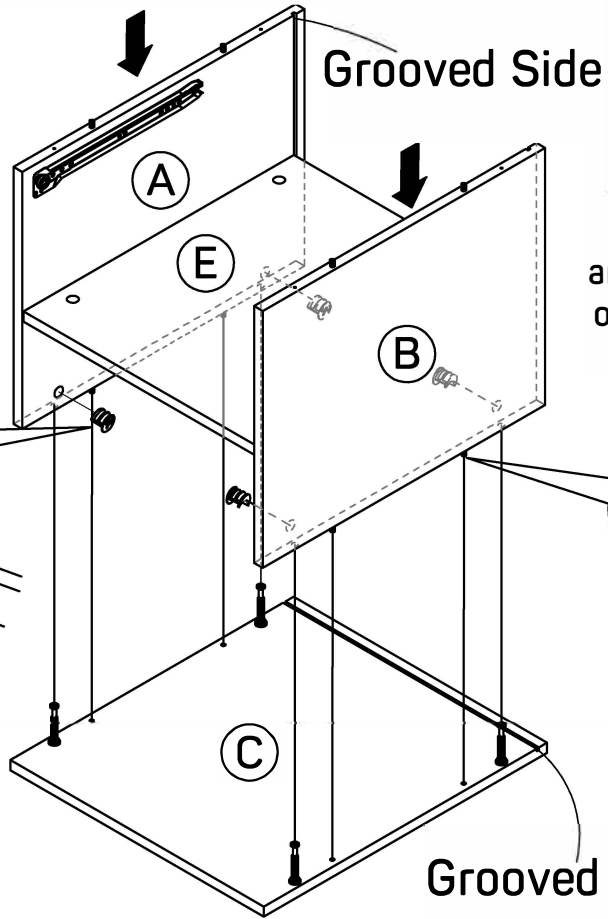
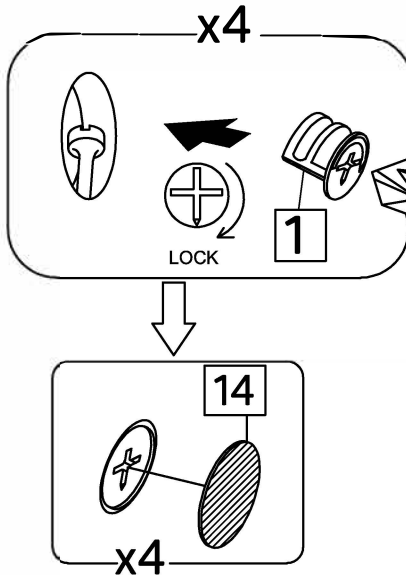
- ① 0.47" FEMALE CAMLOCK 2pcs

Apply small amount of glue on the ends of both dowels.



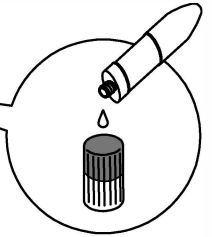
STEP 15

- ① 0.47" FEMALE CAMLOCK 4pcs

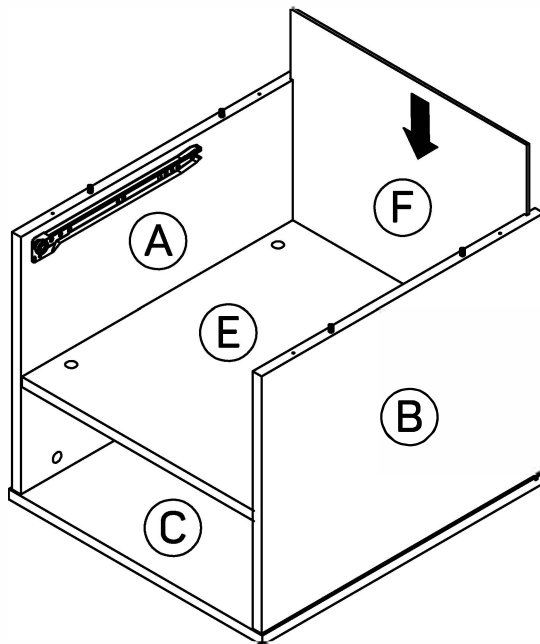


✓	X
①	②

Apply small amount of glue on the ends of all 4 dowels.

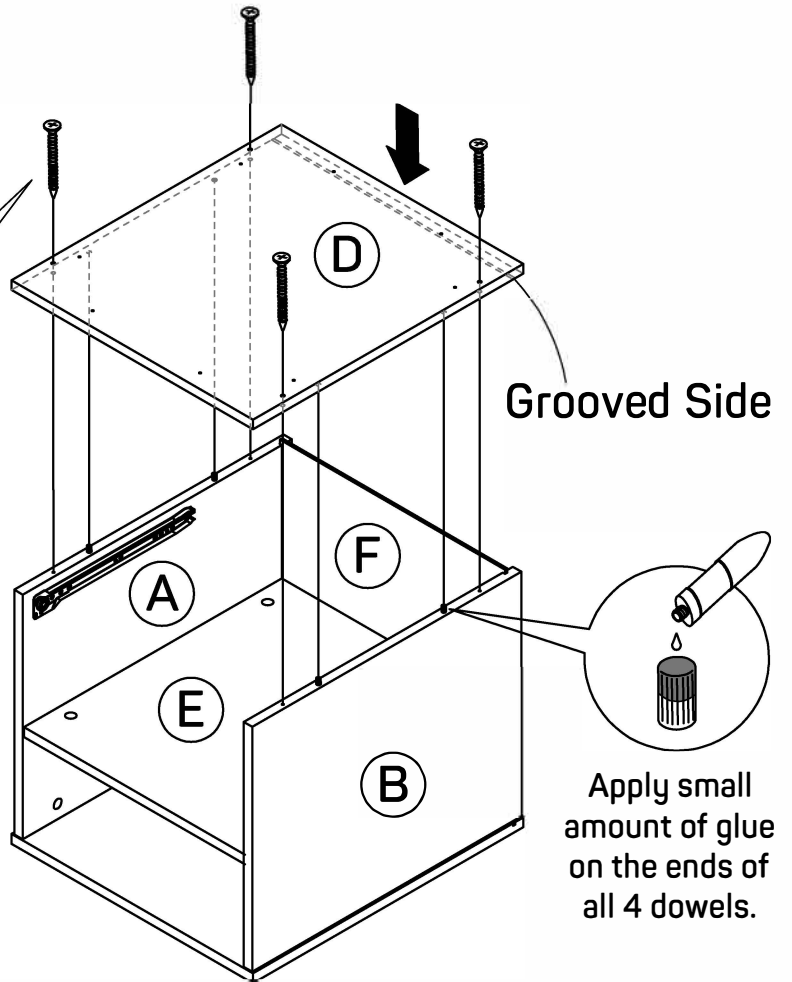
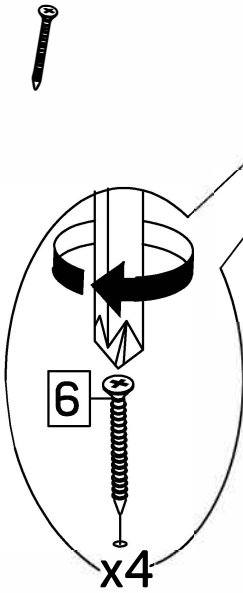


STEP 16



STEP 17

- ⑥ 1.49" SCREW
4pcs

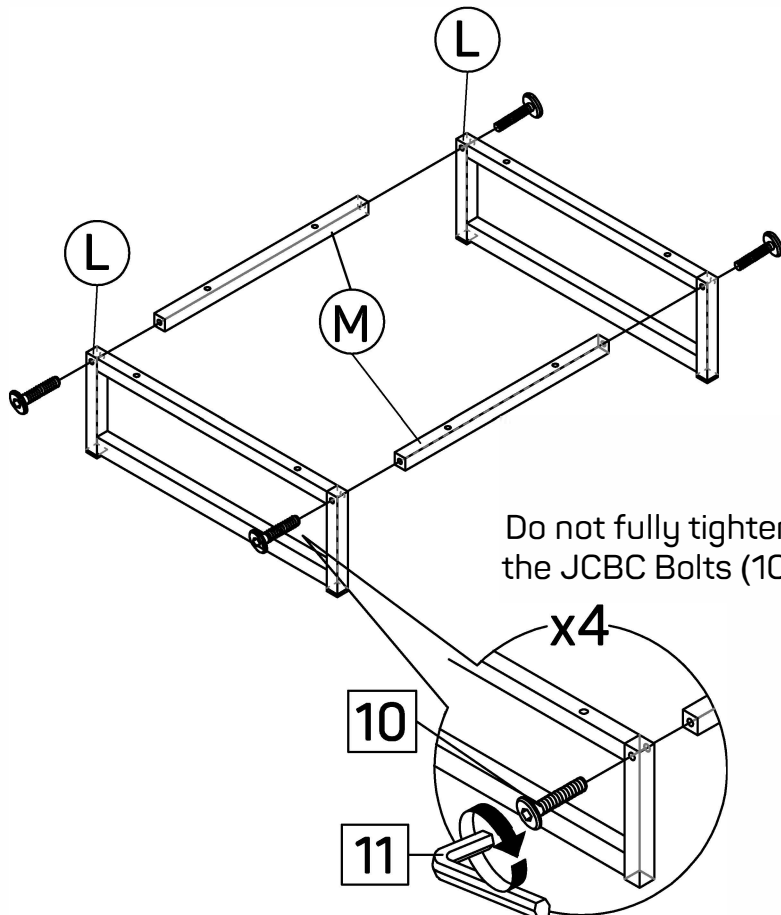


STEP 18

- ⑩ 1.77" JCBC BOLT
4pcs



- ⑪ ALLEN WRENCH
1pc

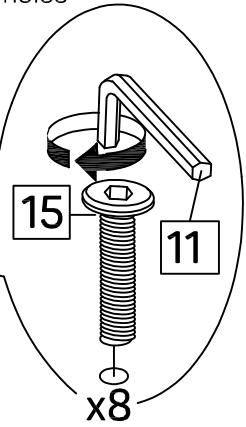
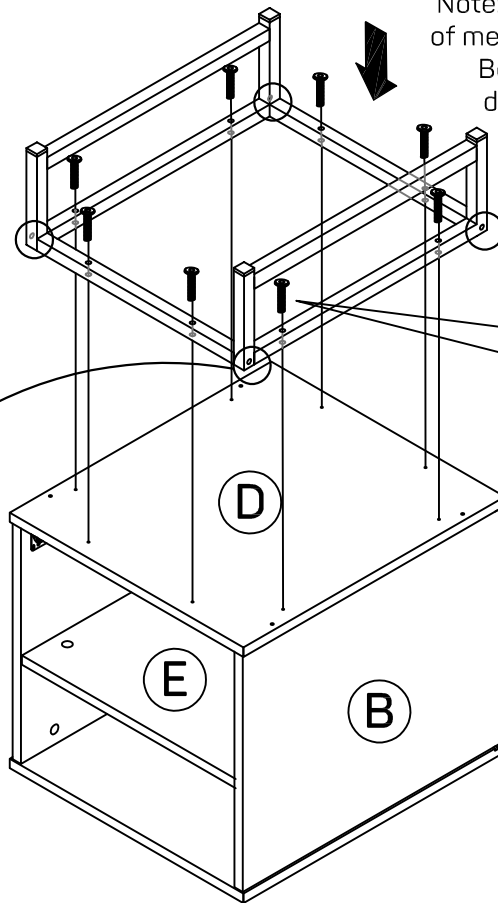


STEP 19

⑮ 1.18" JCBC BOLT
8pcs

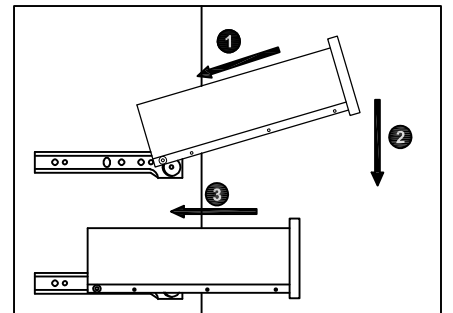
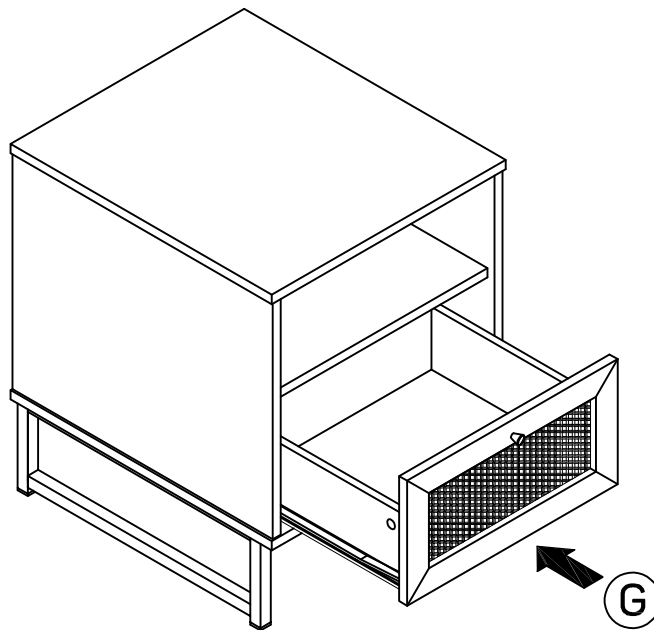
⑪ ALLEN WRENCH
1pc

Note: Adjust the position
of metal frame with JCBC
Bolts (15) into the
designated holes



Note: After installing
the metal frame, please
tighten all JCBC Bolts
(10) that were not fully
tightened in Step 18.

STEP 20

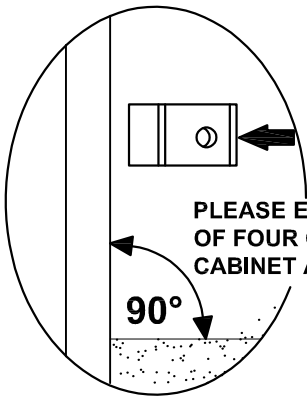
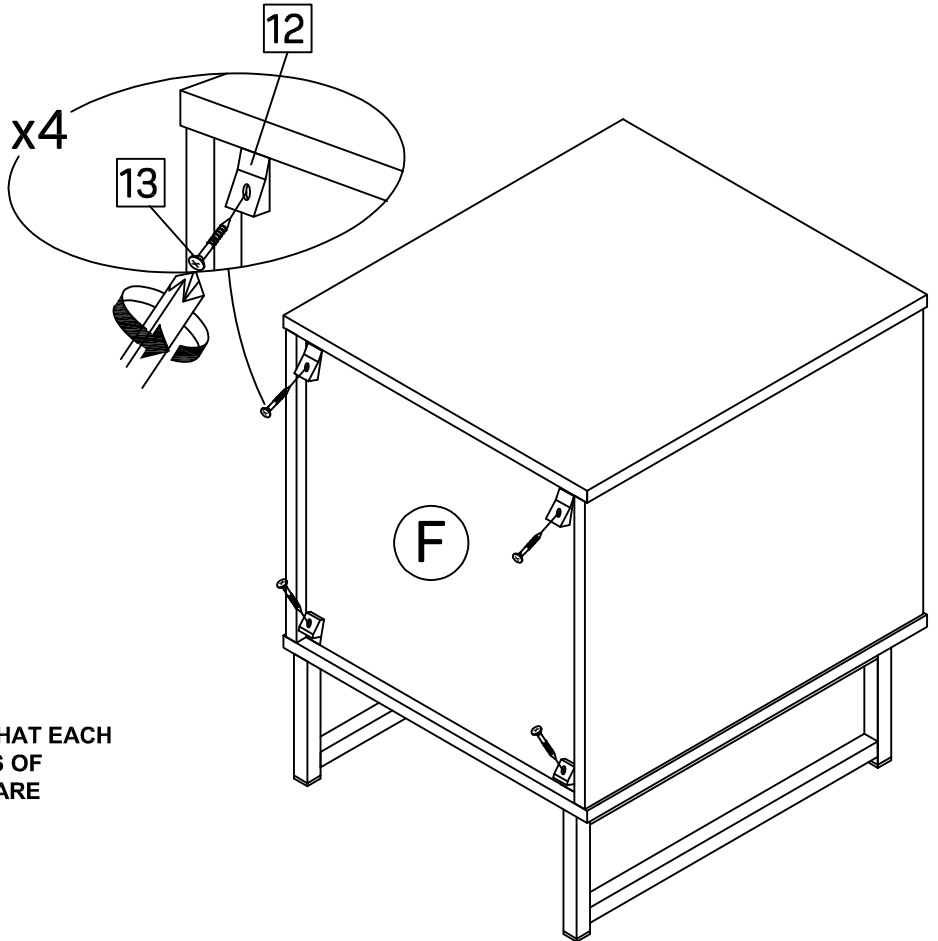


STEP 21

12 PLASTIC WEDGE
4pcs

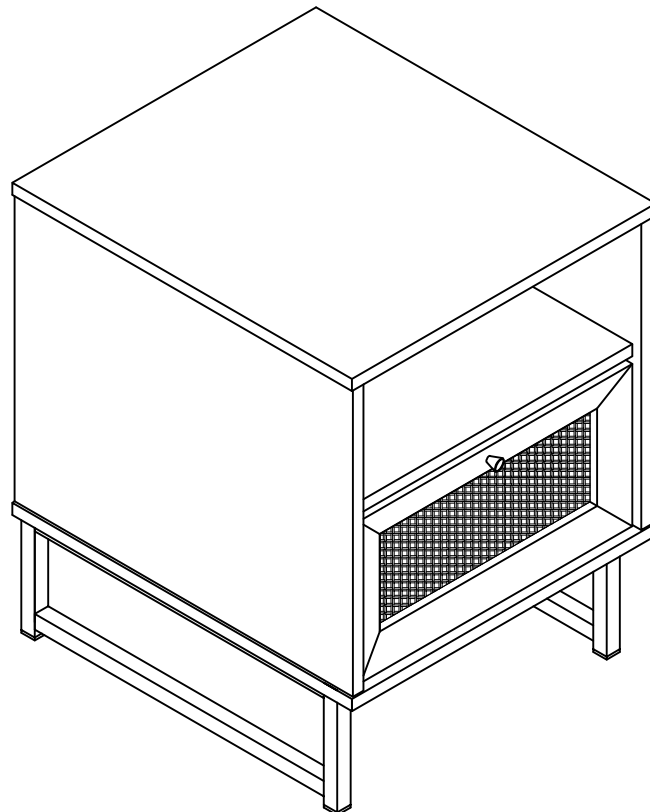


13 0.79"
CSK CHIPBOARD SCREW
4pcs



PLEASE ENSURE THAT EACH
OF FOUR CORNERS OF
CABINET ARE SQUARE

90°



Quality and Safety Guidelines:

- Please follow the static and dynamic weight capacity limits provided on this item.
- Please review and retain all warnings, instructions and guidelines for future reference.
- Please use this item on a stable, level surface only. All legs and feet should contact the flooring surface when in use. Do not use this item if any instability is detected.
- Never push, pull or drag this product.
- Adult supervision required.
- This item is intended to be used as a table only. Do not climb, stand or sit on this item. Do not use this item as a TV stand. Do not place heavy objects on top of this product.
- The item is intended to be used indoors.
- Please inspect this product regularly to make sure there are no damaged or worn parts. Also inspect to make sure all hardware is tightened correctly and securely.
- If any parts are damaged or worn, please stop using the product. Repair this product with manufacturer supplied parts only.
- For product longevity, product safety and product integrity, protect from wet and humid weather or other wet, humid or moist conditions and store indoors in a dry location.