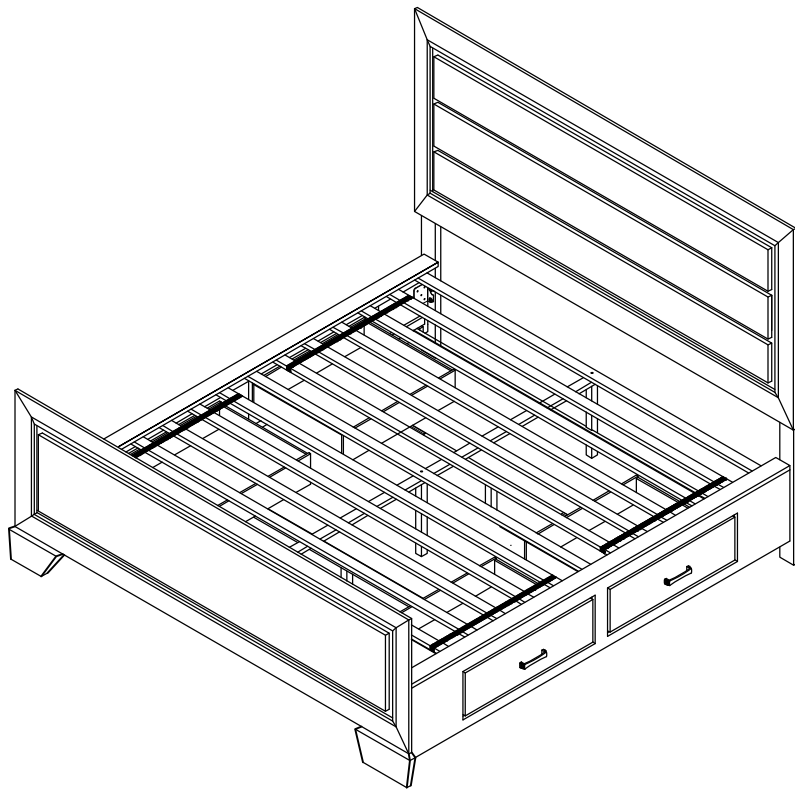


ASSEMBLY INSTRUCTIONS



Fine Furniture for every stage of life

California King Storage Bed

REVISION 0 : 04/08/2016
REVISION 1 : 11/14/2016
REVISION 2 : 11/12/2019

ASSEMBLY INSTRUCTIONS

ASSEMBLY TIPS:

- 1 . Remove hardware from box and sort by size.
- 2 . Please check to see that all hardware and parts are present prior to start of assembly.
- 3 . Please follow attached instructions in the same sequence as numbered to assure fast & easy assembly.



WARNING !

- 1 . Don't attempt to repair or modify parts that are broken or defective. Please contact the store immediately.
- 2 . This product is for home use only and not intended for commercial establishment.

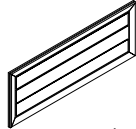
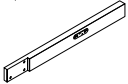
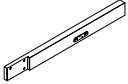
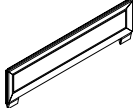


ASSEMBLY TIME

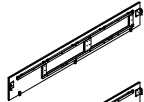
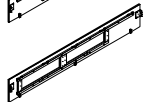
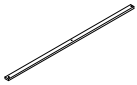

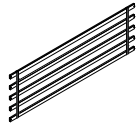
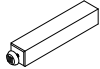
30 MINUTES



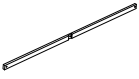

PARTS IDENTIFICATION

B1 (BOX 1)

| | | | |
|---|---------------------|---|-----|
| A | HEADBOARD PANEL |  | 1PC |
| B | LEFT HEADBOARD LEG |  | 1PC |
| C | RIGHT HEADBOARD LEG |  | 1PC |
| D | FOOTBOARD |  | 1PC |

B2 (BOX 2)

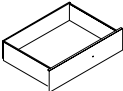
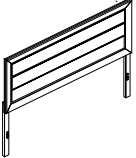

| | | | |
|---|-------------------------------|---|-------|
| E | LEFT BED RAIL |  | 1PC |
| F | RIGHT BED RAIL |  | 1PC |
| G | BED SLAT WITH 3 HOLES |  | 3PCS |
| H | DRAWER SLAT |  | 2PCS |
| I | ROLL SLAT (5PCS) |  | 2SETS |
| J | STORAGE FOOTBOARD SUPPORT LEG |  | 3PCS |

| | | | |
|---|----------------------------------|---|------|
| K | CENTER RAIL SUPPORT WITH LEVELER |  | 3PCS |
| L | CENTER RAIL |  | 1PC |
| M | BOTTOM CROSS BAR |  | 3PCS |
| N | RAIL TOP |  | 2PCS |

B3 (BOX 3)

| | | | |
|---|------------|---|------|
| O | DRAWER BOX |  | 2PCS |
|---|------------|---|------|

B4 (BOX 4)

| | | | |
|----|-------------------------------|---|------|
| P | DRAWER BOX |  | 2PCS |
| HB | FROM BOX 1 HEADBOARD COMPLETE |  | 1PC |
| D | FROM BOX 1 FOOTBOARD |  | 1PC |

ASSEMBLY INSTRUCTIONS

ASSEMBLY TIPS:

- 1 . Remove hardware from box and sort by size.
- 2 . Please check to see that all hardware and parts are present prior to start of assembly.
- 3 . Please follow attached instructions in the same sequence as numbered to assure fast & easy assembly.



WARNING !

- 1 . Don't attempt to repair or modify parts that are broken or defective. Please contact the store immediately.
- 2 . This product is for home use only and not intended for commercial establishment.

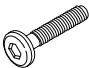





ASSEMBLY TIME

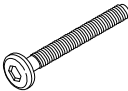

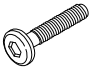





30 MINUTES

HARDWARE IDENTIFICATION

BOX 1 - HARDWARE PACK

| | | | | | | | |
|---|------------------------------------|---|------|---|--|---|------|
| 1 | BOLT (M6 x30mm - BLK) |  | 6PCS | 3 | FLAT WASHER (1/4" x13mm - BLK) |  | 6PCS |
| 2 | LOCK WASHER (1/4" - BLK) |  | 6PCS | 4 | ALLEN WRENCH (M4 x 65mm - BLK) |  | 1PC |

BOX 2 - HARDWARE PACK

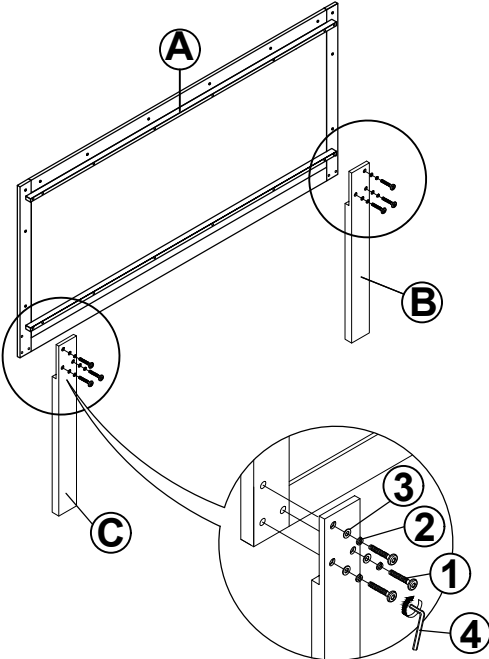
| | | | | | | | |
|---|--|---|------|----|---|---|-------|
| 5 | LONG BOLT (M6 x50mm - BLK) |  | 5PCS | 9 | LONG FLAT HEAD SCREW (M4 x 32mm - RBW) |  | 43PCS |
| 6 | SHORT BOLT (M6 x35mm - BLK) |  | 8PCS | 10 | SHORT FLAT HEAD SCREW (M4 x 16mm - RBW) |  | 4PCS |
| 7 | LOCK WASHER (1/4" - BLK) |  | 8PCS | 11 | SMALL ALLEN WRENCH (M4 x 100mm - BLK) |  | 1PC |
| 8 | FLAT WASHER (1/4" x20mm - BLK) |  | 8PCS | 12 | BIG ALLEN WRENCH (M5 x 65mm - BLK) |  | 1PC |

NOTE:

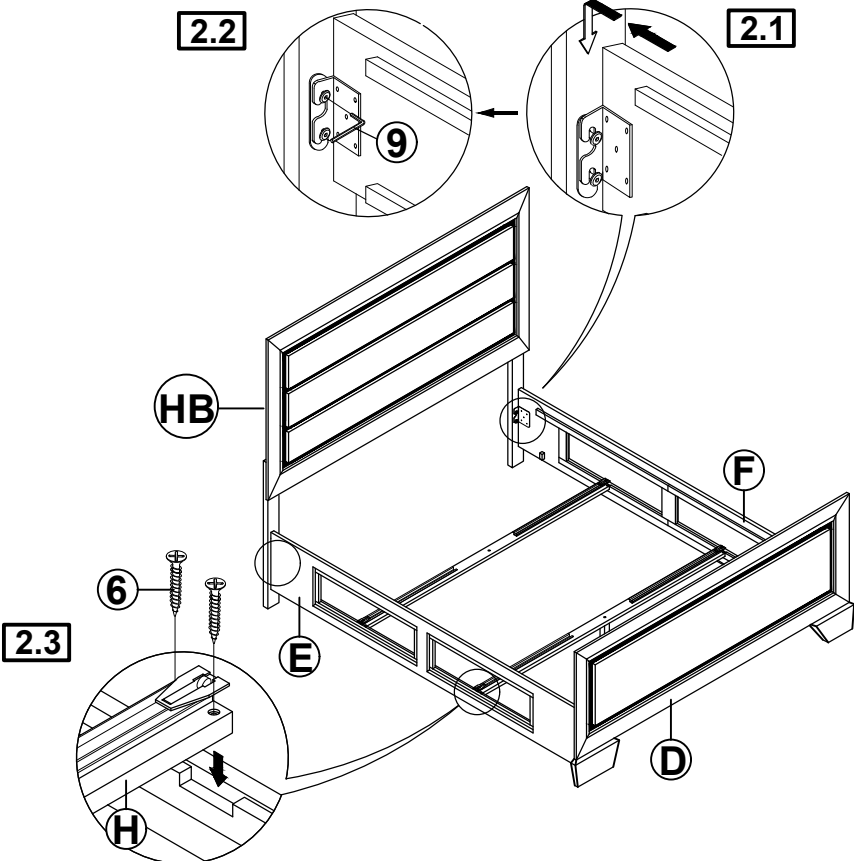
Philips head screw driver in the assembly process ; however, manufacturer does not provide the item

ASSEMBLY INSTRUCTIONS

STEP 1

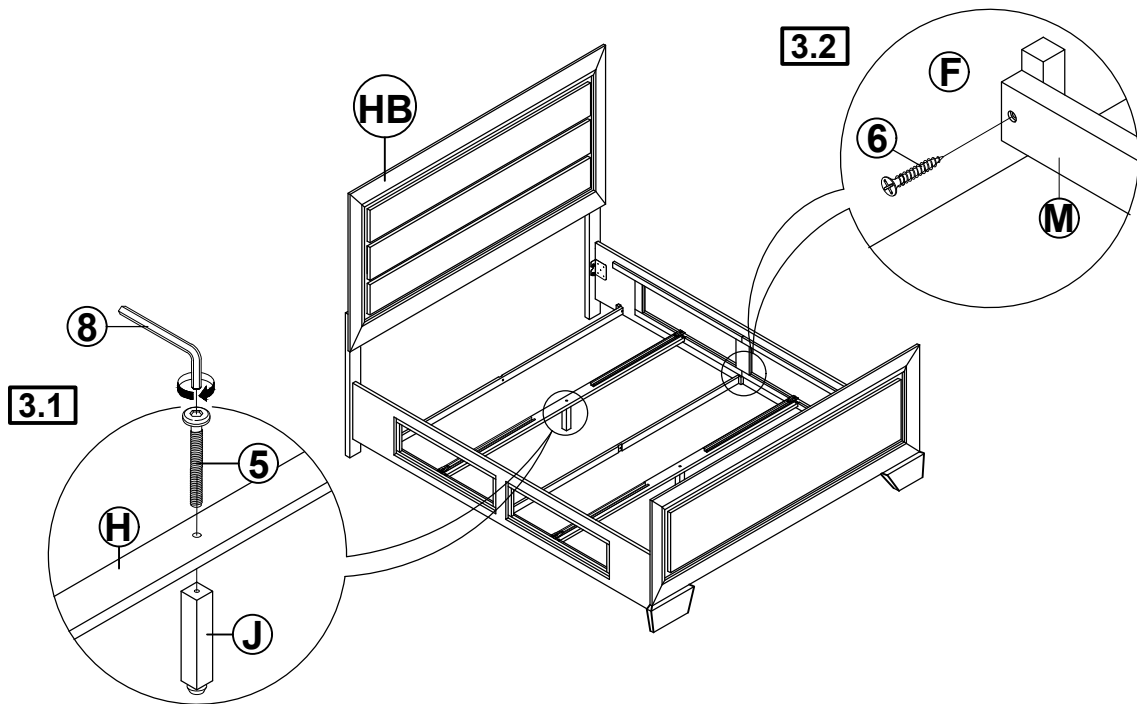


STEP 2

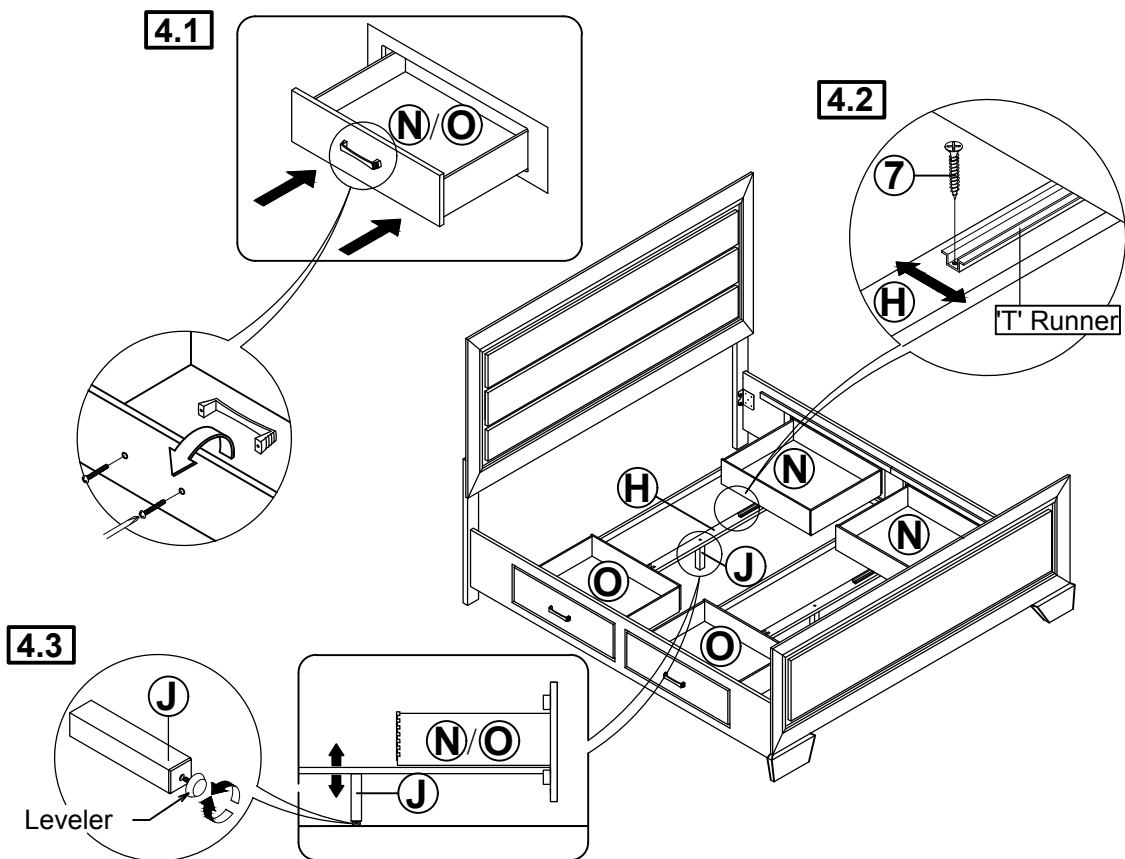


ASSEMBLY INSTRUCTIONS

STEP 3

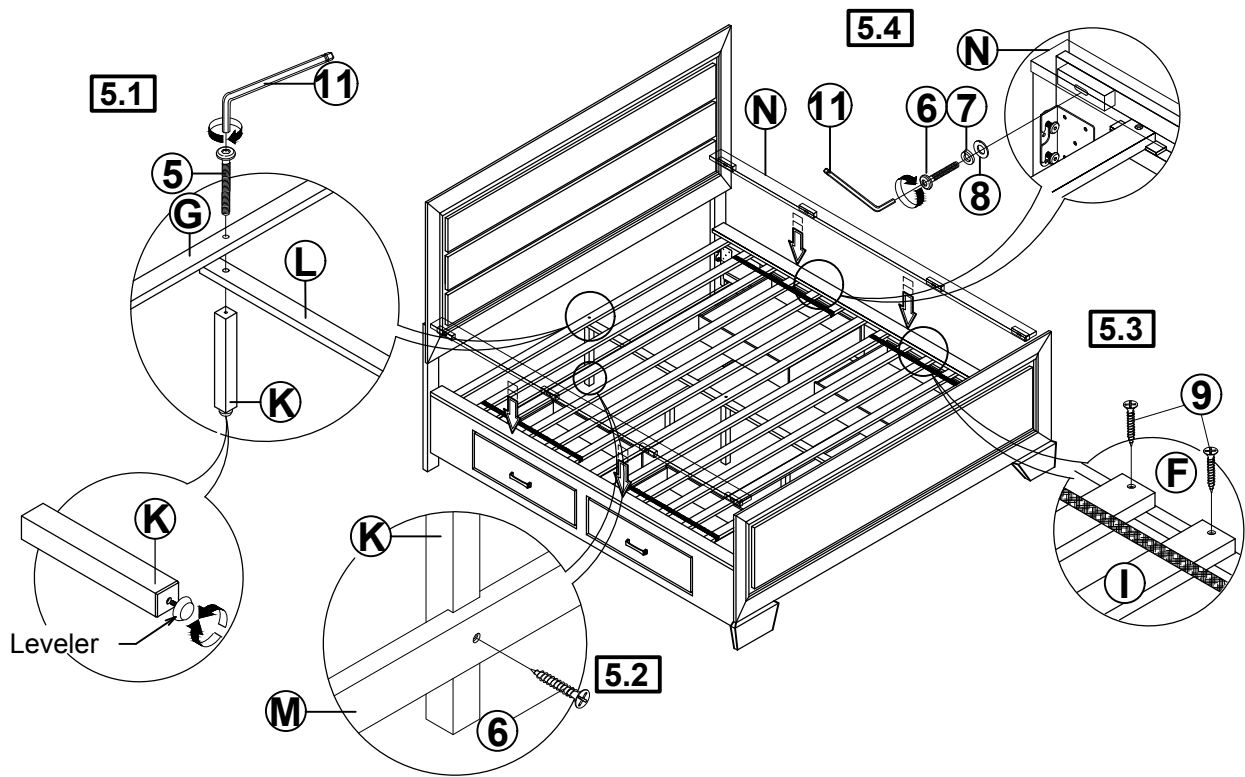


STEP 4

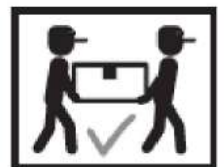
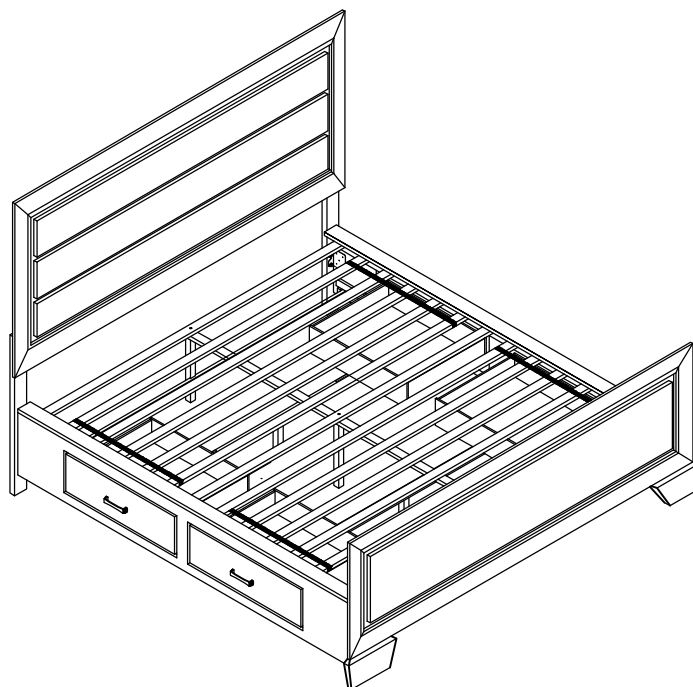


ASSEMBLY INSTRUCTIONS

STEP 5

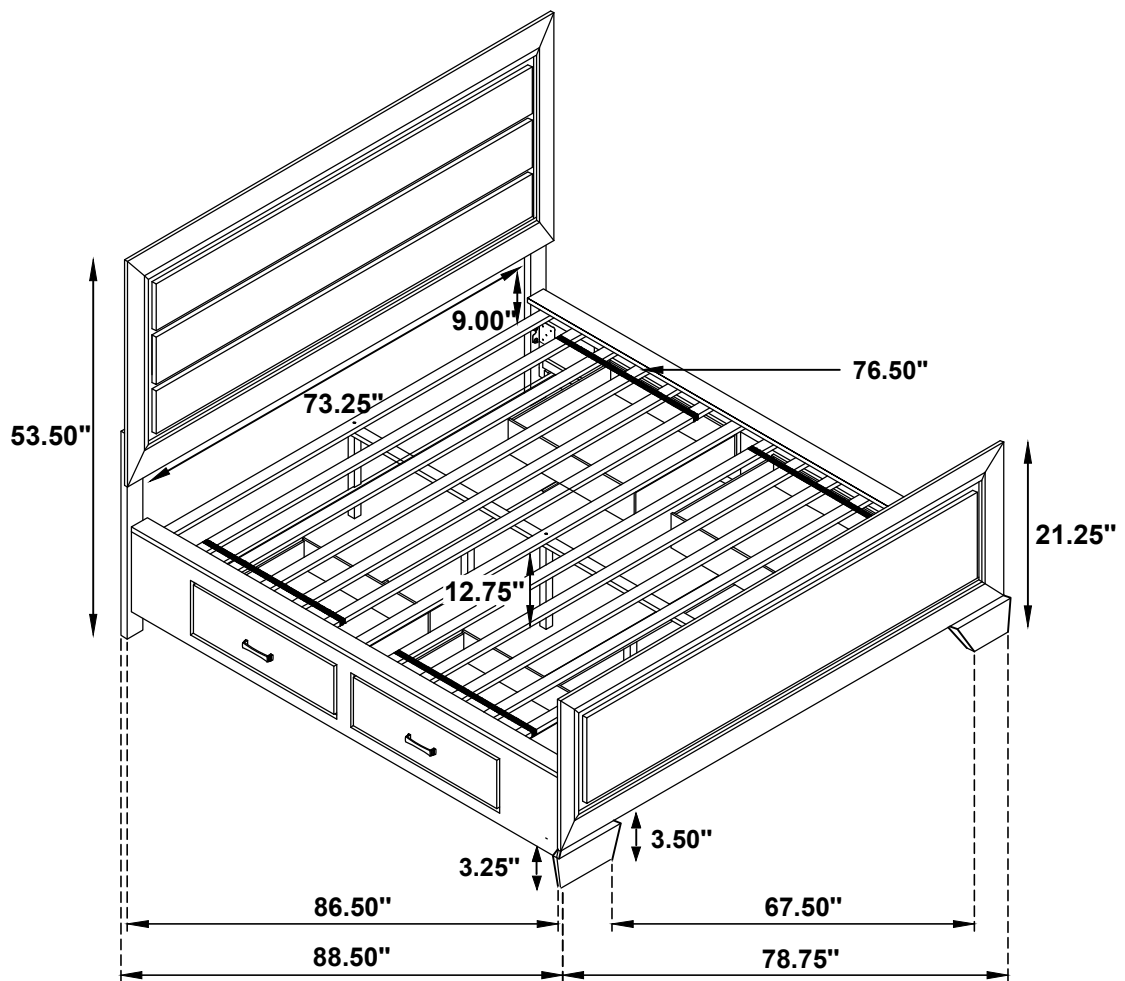


STEP 6 COMPLETE



Inner Size : 73.50"W X 86.50"D

Inner Size of Drawer : 24.00"W X 17.75"D X 5.75"H X 0.25T



Note : Dimension tolerance $\pm 5\%$

ASSEMBLY INSTRUCTIONS



Fine Furniture for every stage of life

Nighstand

REVISION 0 : 06/17/2015
REVISION 1 : 12/17/2017
REVISION 2 : 06/04/2019
REVISION 3 : 11/17/2025

PAGE 1 OF 4

ASSEMBLY INSTRUCTIONS

ASSEMBLY TIPS:

- 1 . Remove hardware from box and sort by size.
- 2 . Please check to see that all hardware and parts are present prior to start of assembly.
- 3 . Please follow attached instructions in the same sequence as numbered to assure fast & easy assembly.



WARNING !




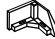

- 1 . Don't attempt to repair or modify parts that are broken or defective. Please contact the store immediately.
- 2 . This product is for home use only and not intended for commercial establishment.



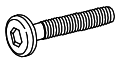



ASSEMBLY TIME

20 MINUTES

PARTS IDENTIFICATION

| | | | | | | | |
|---|------------------------------------|---|-----|---|-----------------------------------|---|-----|
| A | NIGHTSTAND |  | 1PC | D | RIGHT BACK LEG (WITH BR LABEL) |  | 1PC |
| B | RIGHT FRONT LEG (WITH FR LABEL) |  | 1PC | E | LEFT BACK LEG (WITH BL LABEL) |  | 1PC |
| C | LEFT FRONT LEG (WITH FL LABEL) |  | 1PC | | | | |

HARDWARE IDENTIFICATION

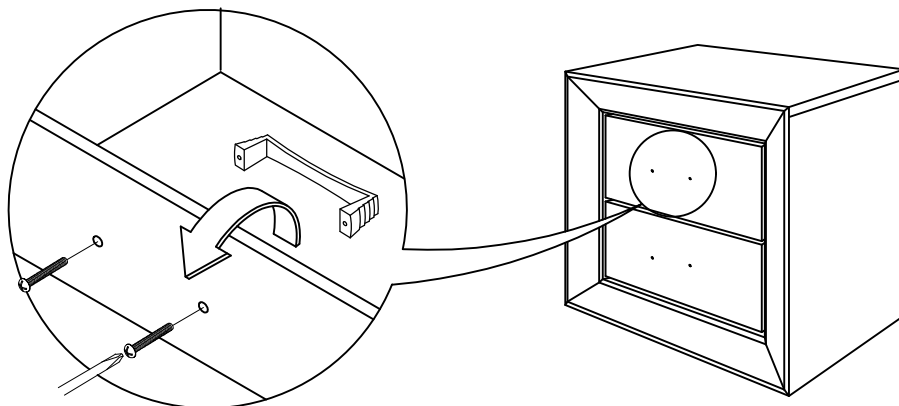
| | | | | | | | |
|---|-----------------------------|---|------|---|------------------------------------|---|------|
| 1 | BOLT (M6 x 35mm - BLK) |  | 8PCS | 3 | FLAT WASHER (1/4" x 20mm - BLK) |  | 8PCS |
| 2 | LOCK WASHER (1/4" - BLK) |  | 8PCS | 4 | ALLEN WRENCH (M4 x 100mm - BLK) |  | 1PC |

NOTE:

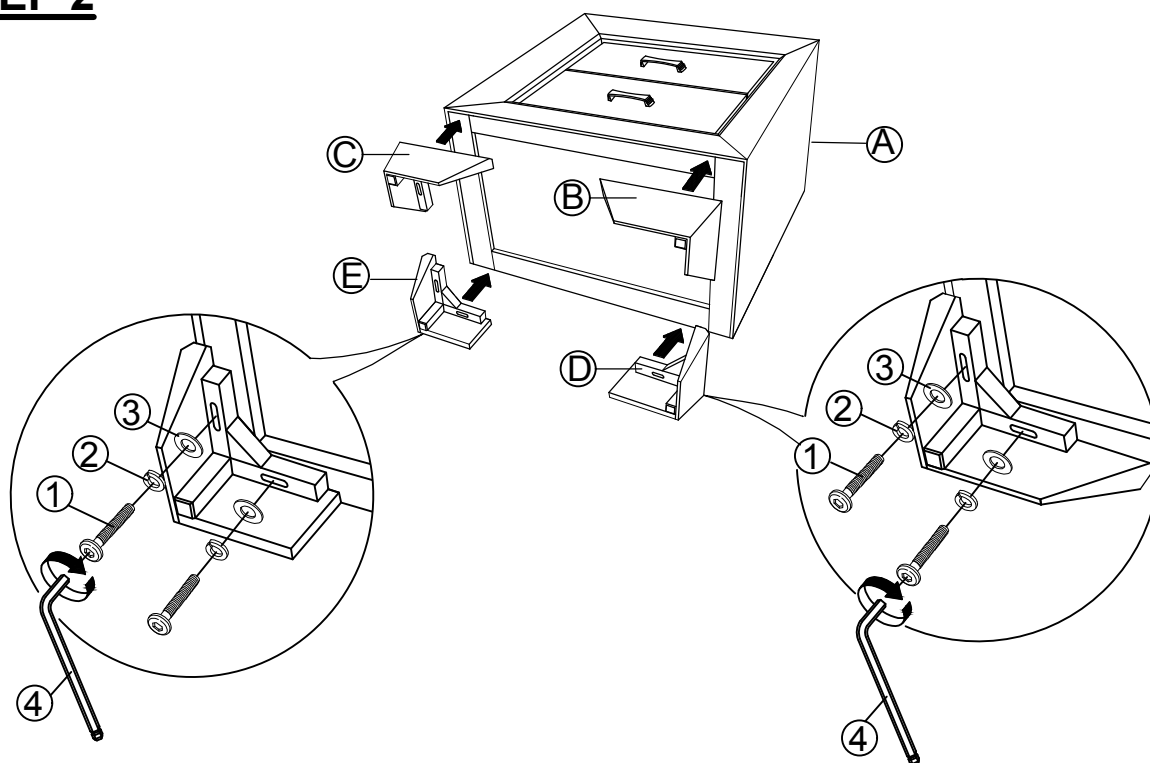
Philips head screw driver in the assembly process; however, manufacturer does not provide the item

ASSEMBLY INSTRUCTIONS

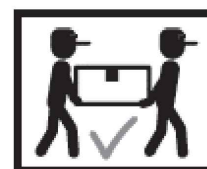
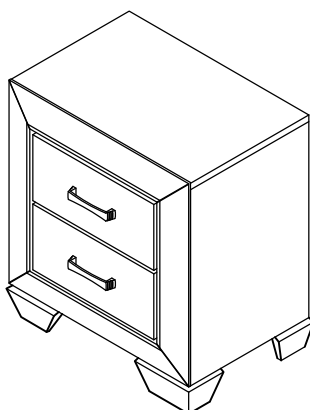
STEP 1



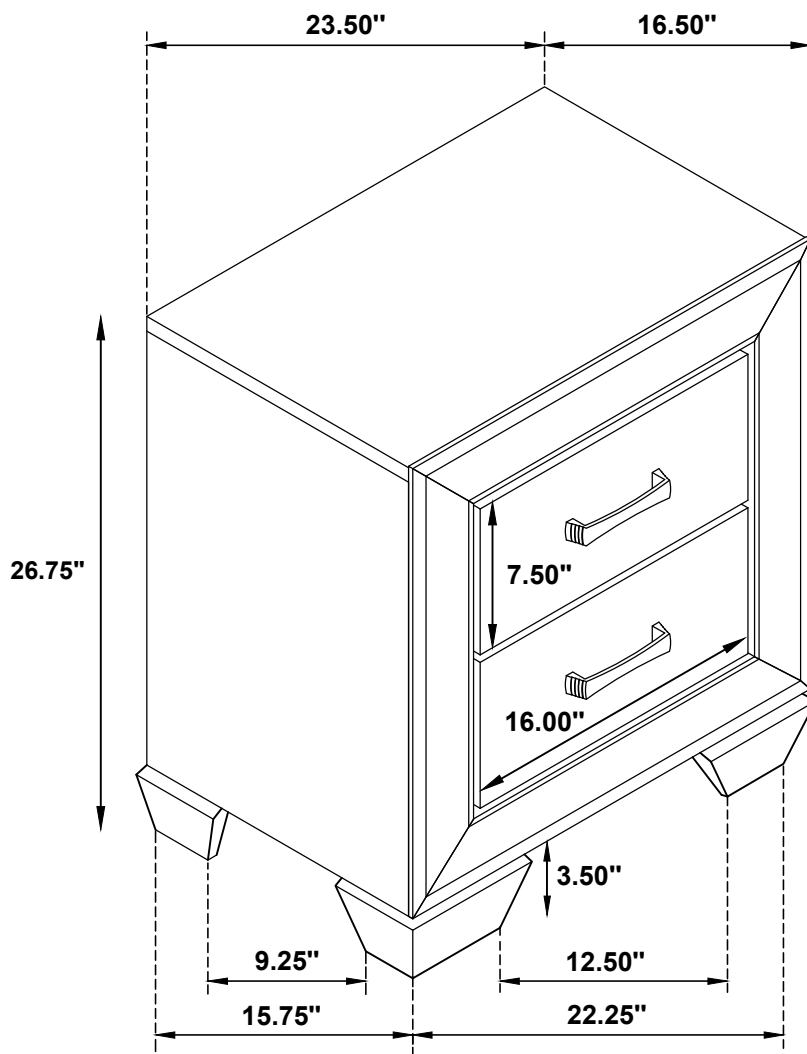
STEP 2



STEP 3 COMPLETE



Inner Size Of Drawer : 12.75"W X 12.75"D X 5.00"H X 0.25"T



Note : Dimension tolerance $\pm 5\%$

ASSEMBLY INSTRUCTIONS



Fine Furniture for every stage of life

Dresser

REVISION 0 : 06/17/2015
REVISION 1 : 12/17/2017
REVISION 2 : 06/04/2019
REVISION 3 : 10/09/2024
REVISION 4 : 11/17/2025

PAGE 1 OF 5

ASSEMBLY INSTRUCTIONS

ASSEMBLY TIPS:

- 1 . Remove hardware from box and sort by size.
- 2 . Please check to see that all hardware and parts are present prior to start of assembly.
- 3 . Please follow attached instructions in the same sequence as numbered to assure fast & easy assembly.

WARNING !



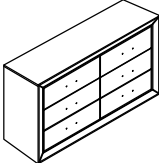

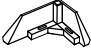

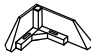

- 1 . Don't attempt to repair or modify parts that are broken or defective. Please contact the store immediately.
- 2 . This product is for home use only and not intended for commercial establishment.







ASSEMBLY TIME

20 MINUTES

PARTS IDENTIFICATION

| | | | | | | | |
|---|------------------------------------|---|-----|---|------------------------------------|---|-----|
| A | DRESSER |  | 1PC | D | RIGHT BACK LEG (WITH BR LABEL) |  | 1PC |
| B | RIGHT FRONT LEG (WITH FR LABEL) |  | 1PC | E | LEFT BACK LEG (WITH BL LABEL) |  | 1PC |
| C | LEFT FRONT LEG (WITH FL LABEL) |  | 1PC | F | CENTER SUPPORT LEG WITH LEVELER |  | 1PC |

HARDWARE IDENTIFICATION

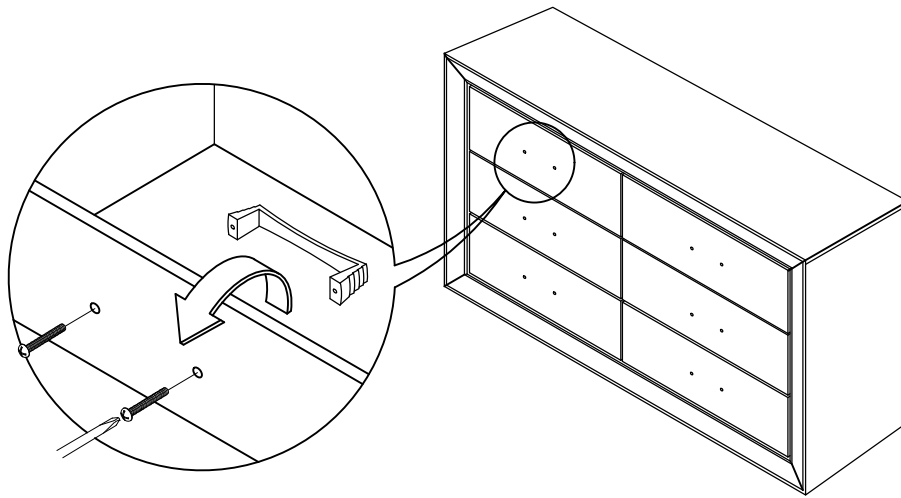
| | | | | | | | |
|---|-----------------------------|---|------|---|------------------------------------|---|------|
| 1 | BOLT (M6 x 35mm - BLK) |  | 8PCS | 3 | FLAT WASHER (1/4" x 20mm - BLK) |  | 8PCS |
| 2 | LOCK WASHER (1/4" - BLK) |  | 8PCS | 4 | ALLEN WRENCH (M4 x 100mm - BLK) |  | 1PC |

NOTE:

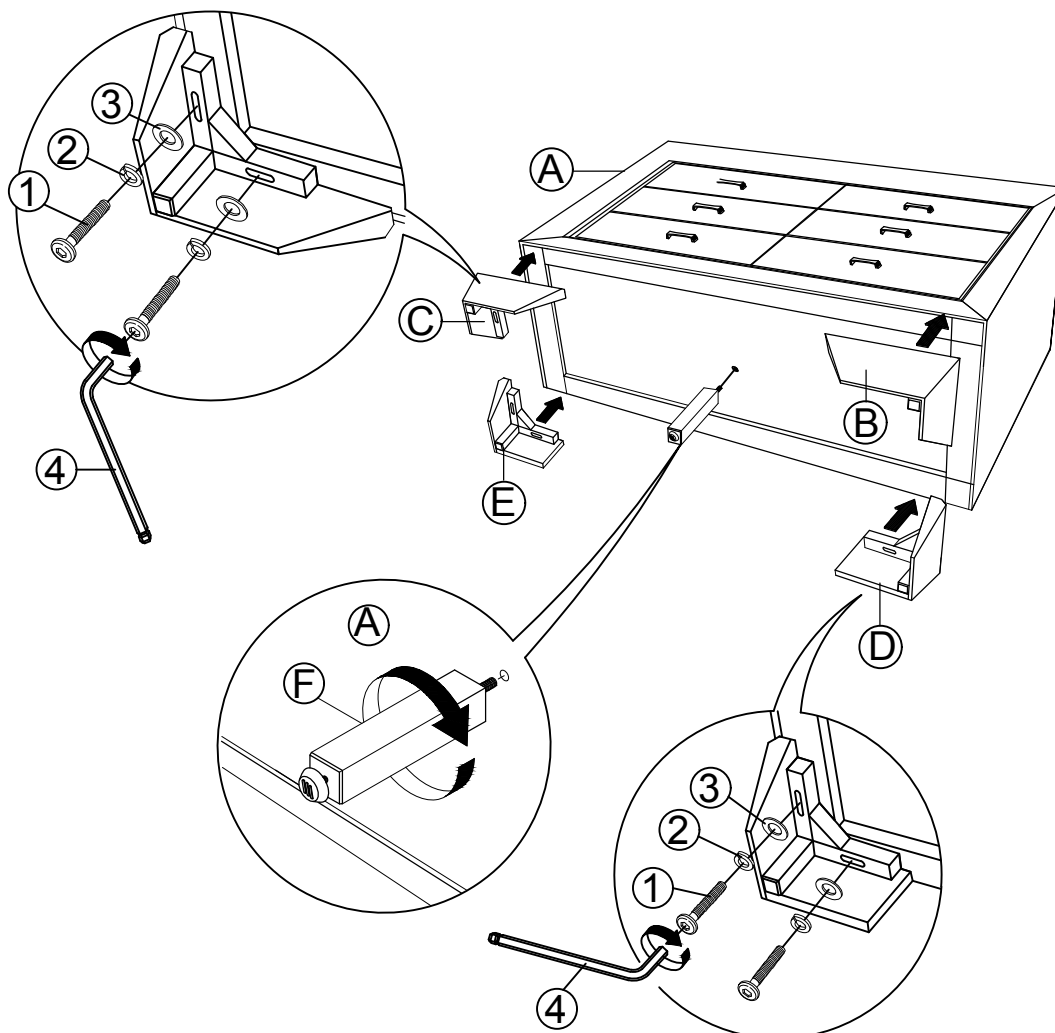
Philips head screw driver in the assembly process ; however, manufacturer does not provide the item

ASSEMBLY INSTRUCTIONS

STEP 1

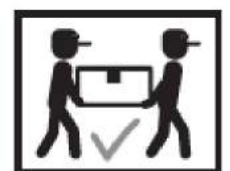


STEP 2



ASSEMBLY INSTRUCTIONS

STEP 3 COMPLETE



ANTI-TIPPING INSTALLATION INSTRUCTIONS

FURNITURE TIPPING RESTRAINT

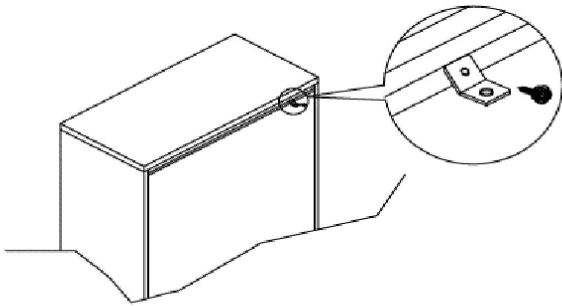
WARNING

Injury may result from tipping furniture.
This restraint may protect against tipping furniture.
Do not allow children to climb on furniture.
This restraint is not a substitute for proper adult supervision.
Failure to detach this restraint before moving the furniture may result in injury and damage.

This restraint must be screwed to a wood stud on the wall, using the long screw provided.

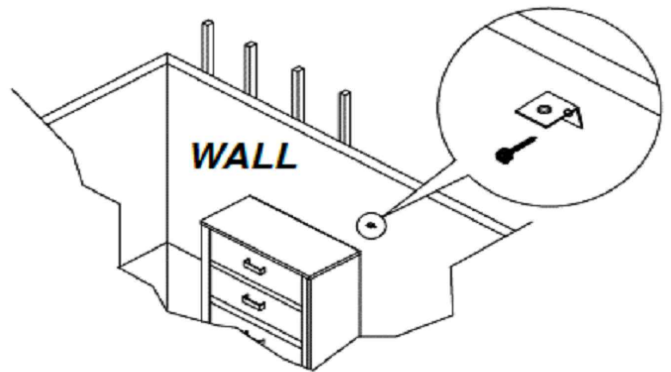
STEP 1

Secure the bracket to the back top of the unit, using the short screw provided, as shown in the drawing.



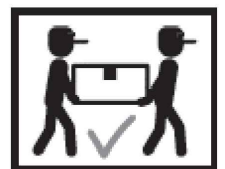
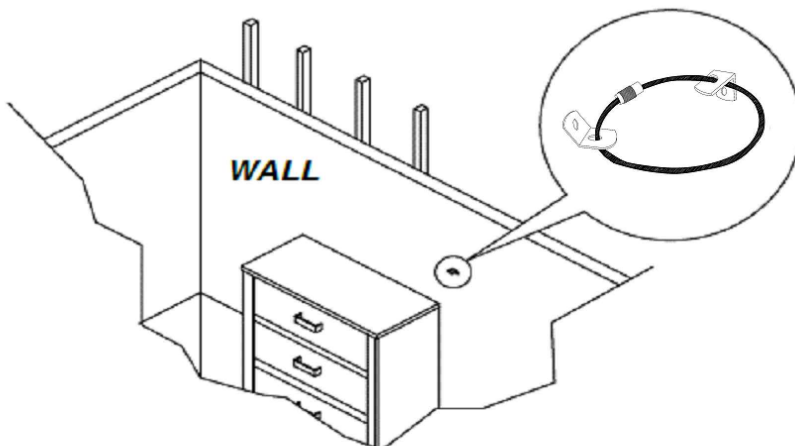
STEP 2

Locate the wood stud on the wall and secure the other bracket 2 inches below the back of the unit, using the long screw.

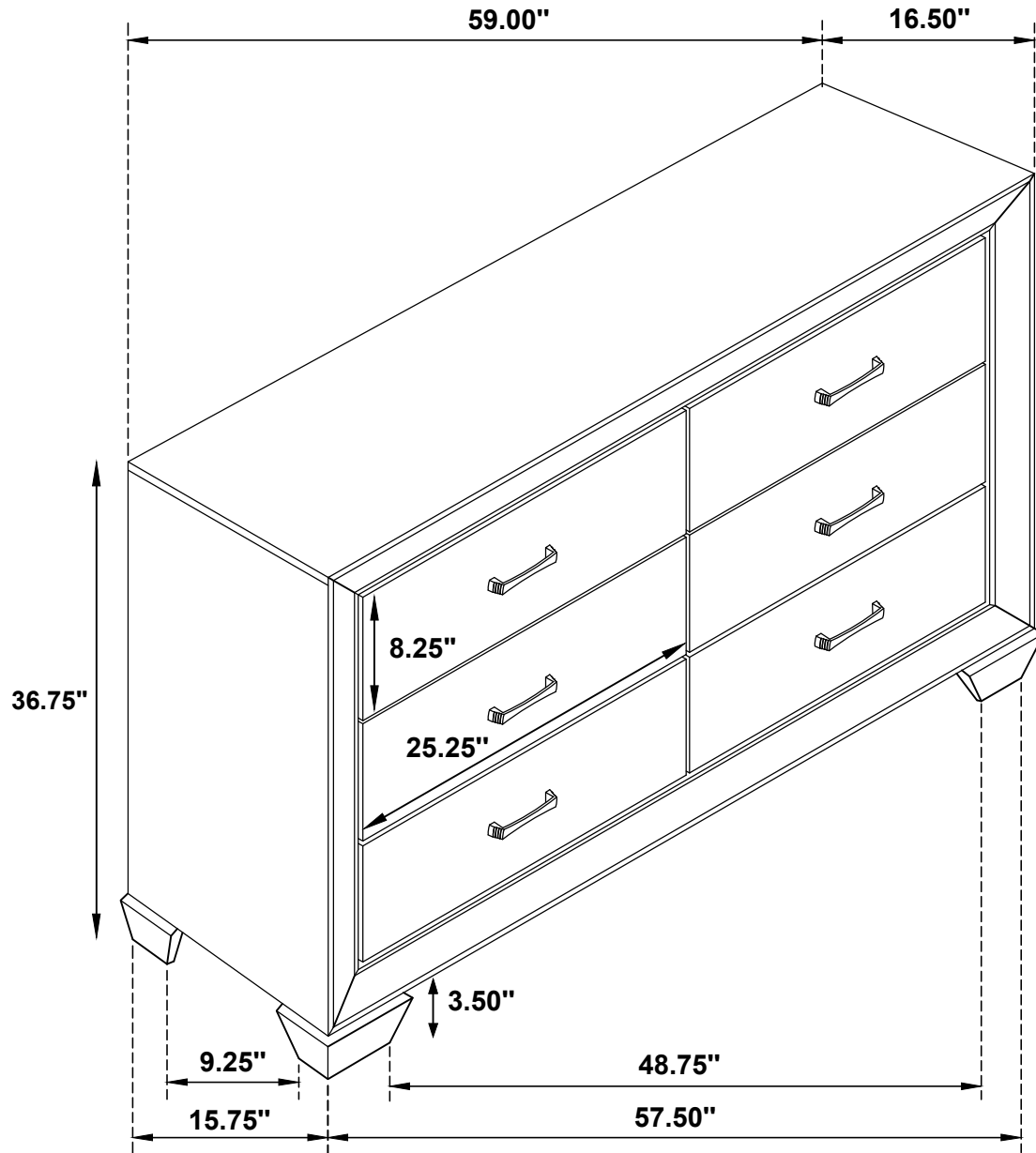


STEP 3

Place the furniture into position so both mounting brackets are vertically in line. Lace the threaded end of the restraint strap through the hole in each mounting bracket. Bring both ends together and rotate the thumb nut onto the threaded end until tight. Ensure that the restraint strap is securely laced and locked.



Inner Size Of Drawer : 23.25"W X 12.75"D X 5.00"H X 0.25"T



Note : Dimension tolerance $\pm 5\%$

ASSEMBLY INSTRUCTIONS



Fine Furniture for every stage of life

Mirror

REVISION 0 : 06/17/2015
REVISION 1 : 12/17/2017
REVISION 2 : 06/04/2019

PAGE 1 OF 4

ASSEMBLY INSTRUCTIONS

ASSEMBLY TIPS:

- 1 . Remove hardware from box and sort by size.
- 2 . Please check to see that all hardware and parts are present prior to start of assembly.
- 3 . Please follow attached instructions in the same sequence as numbered to assure fast & easy assembly.



WARNING !

- 1 . Don't attempt to repair or modify parts that are broken or defective. Please contact the store immediately.
- 2 . This product is for home use only and not intended for commercial establishment.

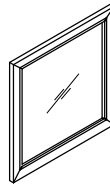


ASSEMBLY TIME

20 MINUTES

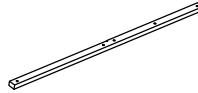
PARTS IDENTIFICATION

A MIRROR



1PC

B MIRROR SUPPORT
(PACKED WITH DRESSER)



2PCS

C DRESSER



1PC

HARDWARE IDENTIFICATION

1 PAN HEAD SCREW
(M4 X32mm - BLK)



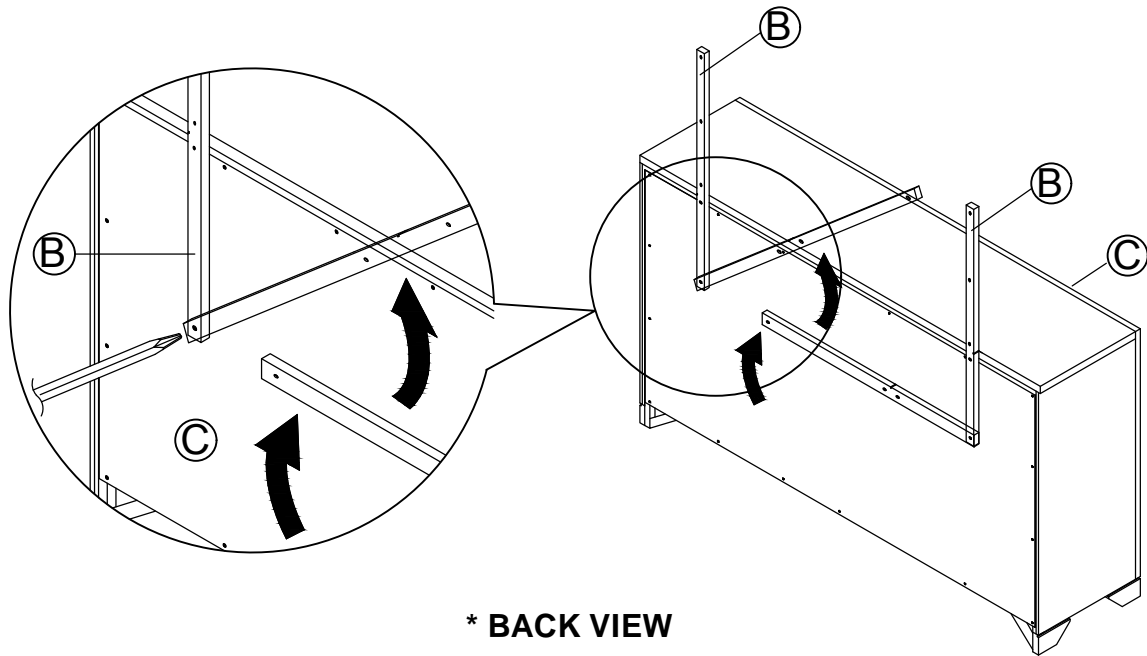
8PCS

NOTE:

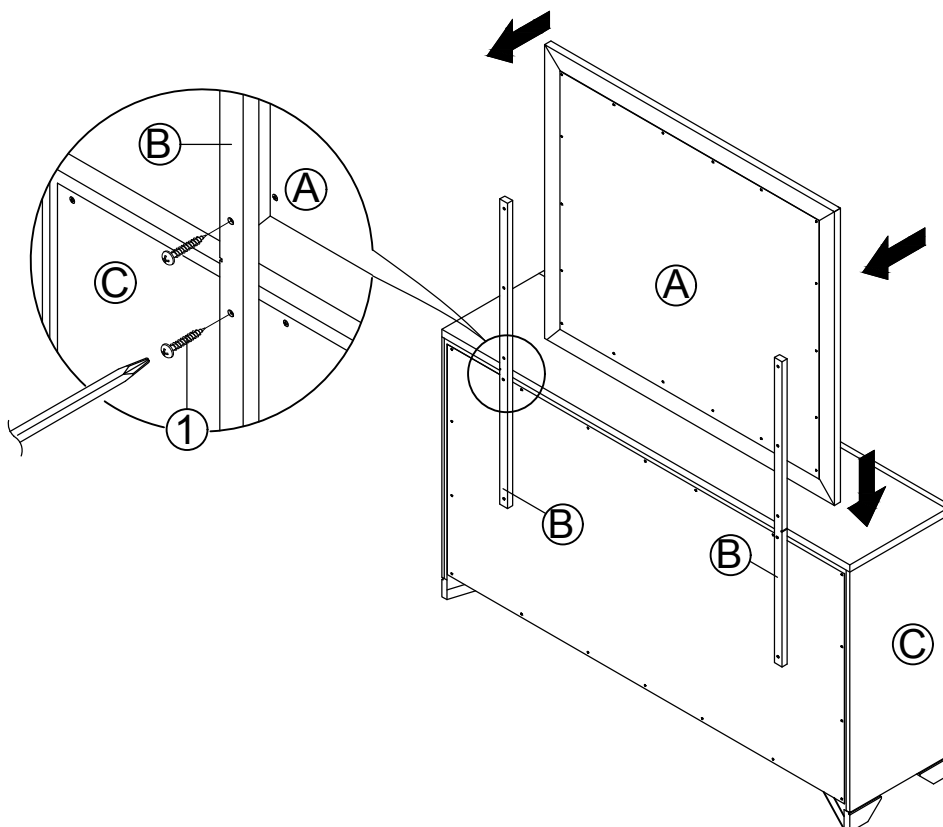
Philips head screw driver in the assembly process ; however, manufacturer does not provide the item

ASSEMBLY INSTRUCTIONS

STEP 1

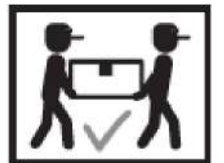
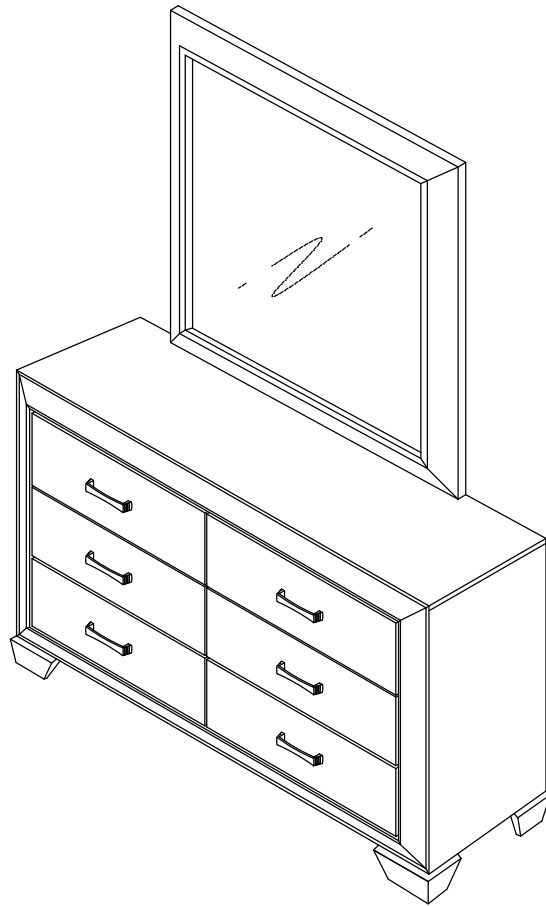


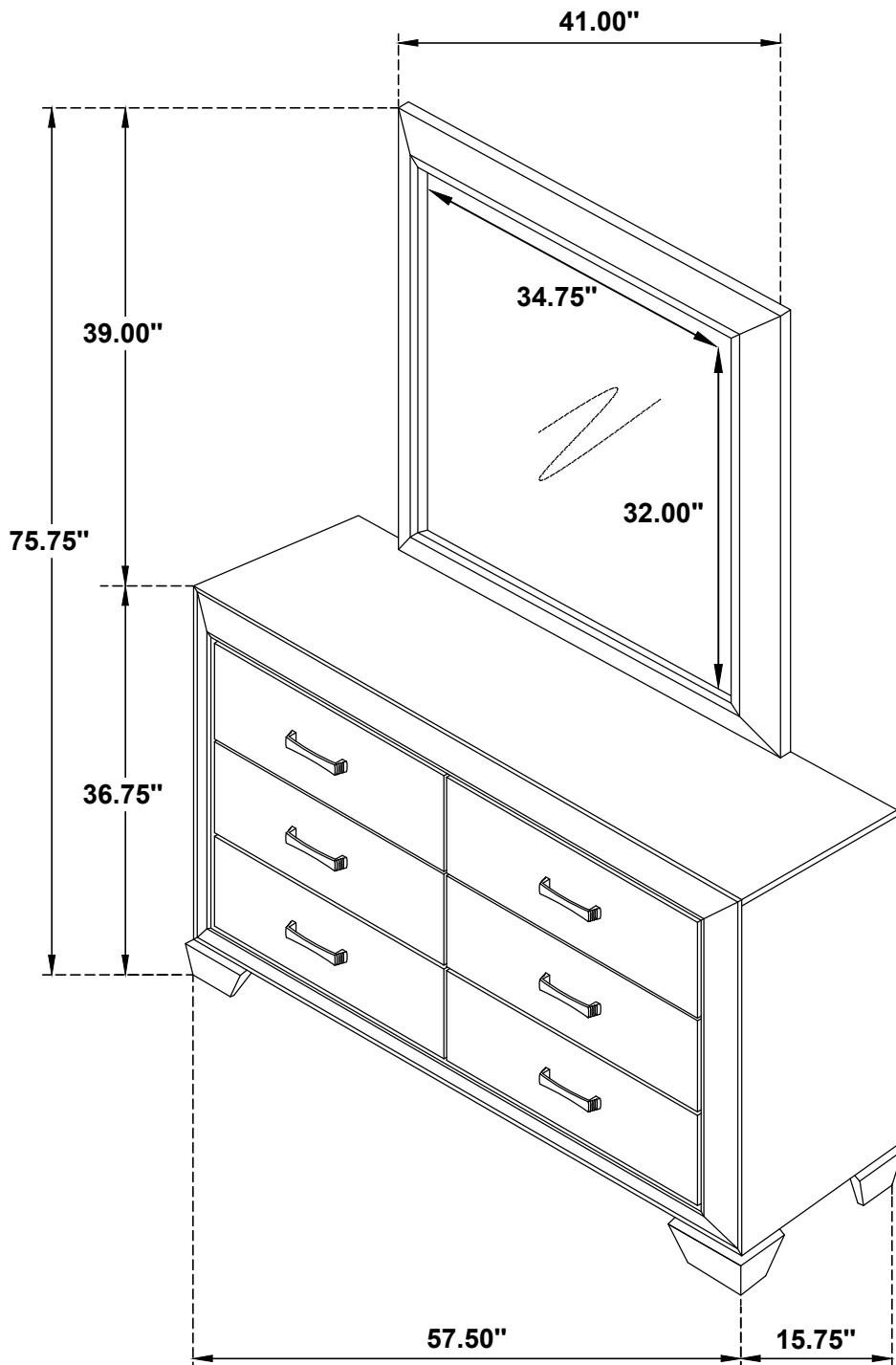
STEP 2



ASSEMBLY INSTRUCTIONS

STEP 3 COMPLETE





Note : Dimension tolerance $\pm 5\%$