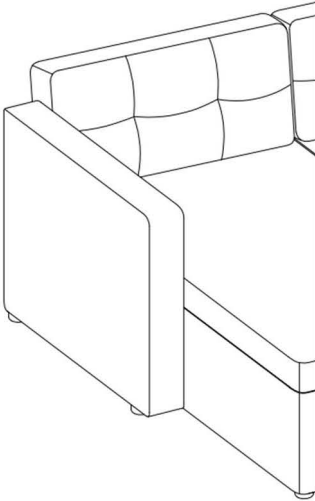


Owner Manual



WARRANTY

We strive to offer high quality product and we also try our best to satisfy each customer that order from us, no matter on products or services as needed. Each customer receives a record of their order, such as the order number or item receipt. For any items that are out of warranty period, you may still be able to purchase the replacement parts from our company if they are available.



MAINTENANCE AND WARNING

Please read the manual thoroughly
before you start installing.

Please keep the product away from
sharp object.

Packaging and small parts may have
chocking hazard, please keep them away
from children and pets.

Please clean the product according to each
clean code, check the product description
for more information.

Please keep the product away from
fire.

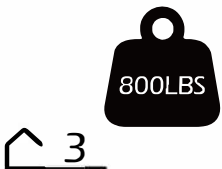
If you have any other questions, please
contact us, we will be glad to help you out.

If the product is placed under direct
sunlight, the pattern or color might fade
away overtime.

Check the product periodically to make
sure everything is secured and tightened.

Always use proper tools for installation.

Do not jump on the product.



PRODUCT DESCRIPTION

Premium Upholstery: The sectional is fully upholstered in corduroy fabric with vertical ribbing, providing soft tactile comfort while maintaining long-term durability and resistance to wear.

Ergonomic Cushions: High-density foam sponge combined with serpentine springs delivers immediate contouring support and deep-layer resilience for prolonged seating comfort.

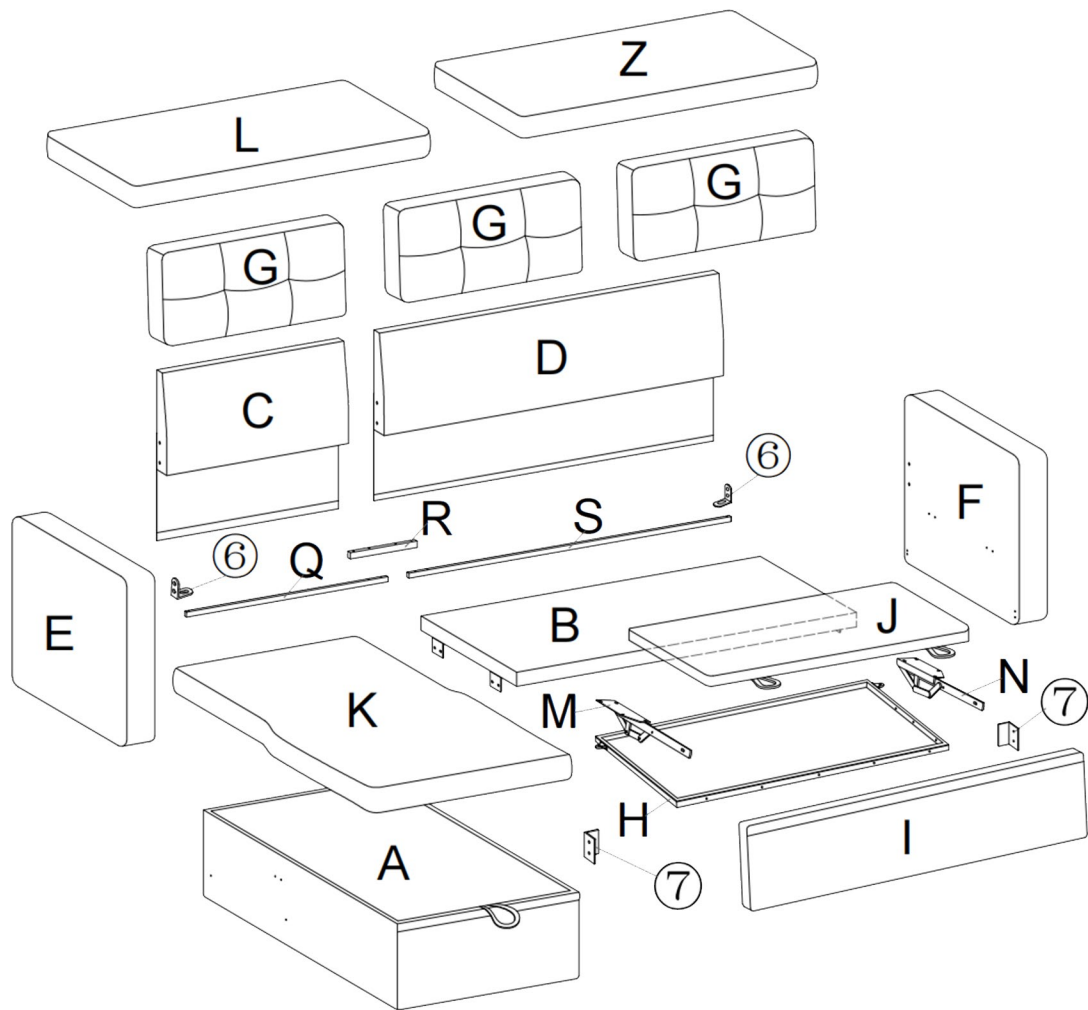
Stable Seating: Bottom Velcro fasteners secure seat cushions, preventing displacement during use and ensuring uniform seating across the double-seat module and chaise lounge.

Integrated Design: Composed of a double-seat module and a chaise lounge permanently fixed together, creating a cohesive structure free of gaps or shifting, ideal for family households.

Multifunctional Features: The chaise includes a hidden storage compartment for bulky items, while the double-seat module conceals a pull-out bed, offering flexible sleeping solutions without compromising comfort.

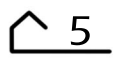
EXPLODED VIEW


The product's left and right are determined by sitting posture



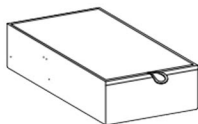
O*8

P*4



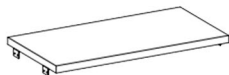
PARTS

A*1



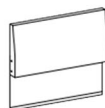
Chaise

B*1



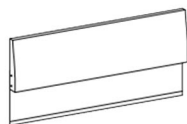
Seat frame

C*1



Backrest

D*1



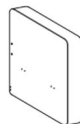
Backrest

E*1



Right arm (Chaise)

F*1



Left arm (Loveseat)

G*3



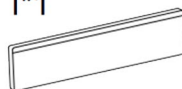
Back cushion

H*1



Footrest frame

I*1



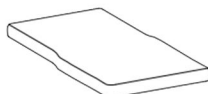
Front panel

J*1



Bed top

K*1



Seat cushion (Chaise)

L*1



Seat cushion (Loveseat)

M*1



Adjustable rack (Right)

N*1



Adjustable rack (Left)

O*8



Legs

P*4



Wheel

Q*1



Middle connecting wooden strips

R*1



Short connecting wooden strips

S*1



Long connecting wooden strips

Z*1



Mattress

HARDWARE

TOOL LIST

NOTE: Designated with (★) We provide additional spare parts in the hardware package

①*18



★ Bolt
M6*20mm

②*28



★ Bolt
M6*30mm

③*14



★ Bolt
M6*40mm

④*5



★ Bolt
M6*45mm

⑤*1



Allen key

⑥*2



L-shaped connecting
angle iron

⑦*2



Stopping Blocks

⑧*29

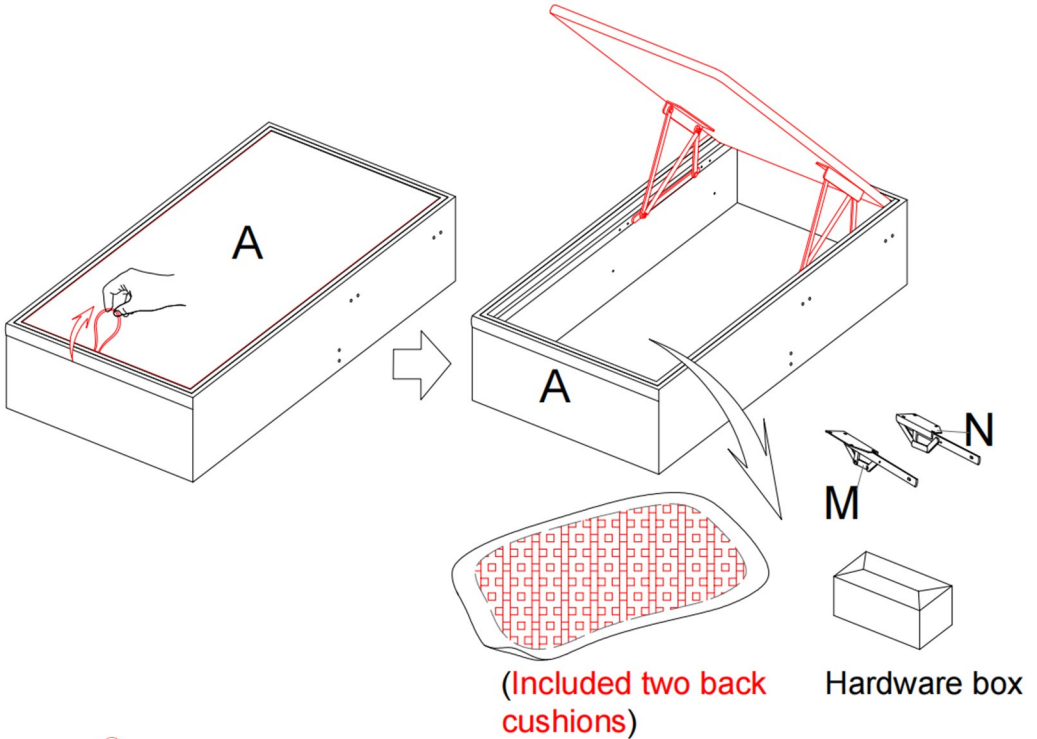


★ Flat washer

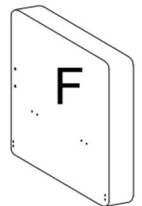
Please make sure all hardware & packing material fitting the list. Especially some small accessories may be missing during transportation. Please contact us if you have any question.

step 1 ---Open the Chaise Storage

Locate the handle on the edge of the chaise and lift the chaise seat frame upward to open the storage compartment, as illustrated.



- 1. The assembly steps are complicated; the entire process takes approximately 50 min.
- 2. Needs 2 or more person to finish the assembly.
- 3. Check all the bolts after assembly, make sure they are all safely tightened.

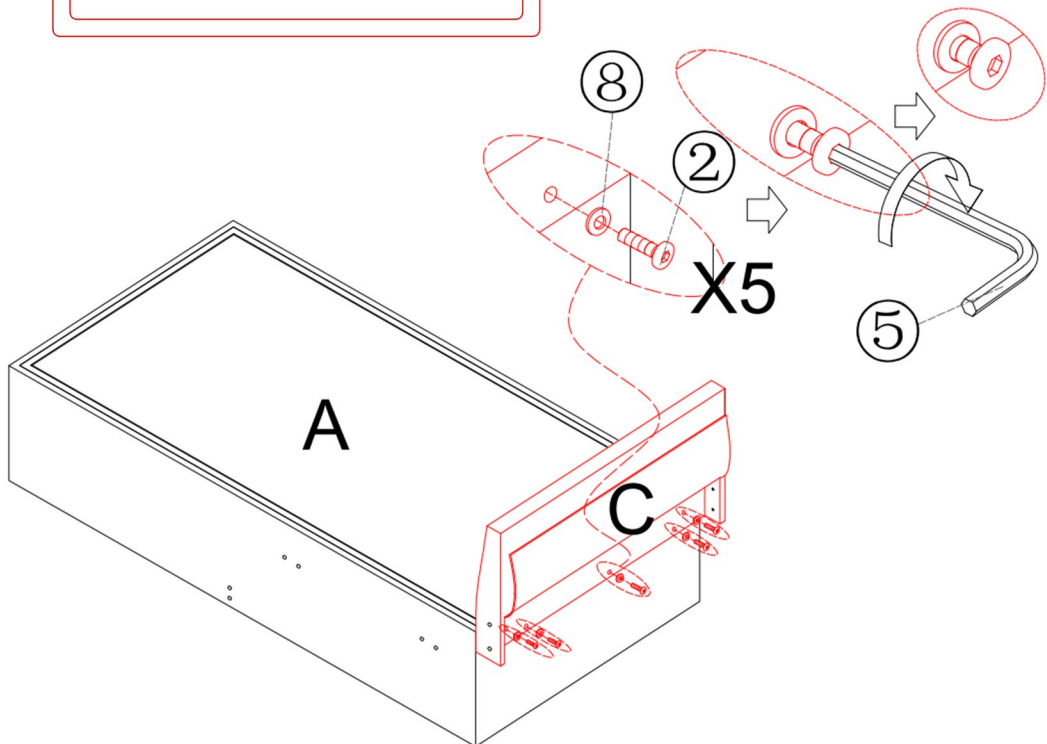


step 2 ---Install the Chaise Backrest (C)

Place the chaise backrest (C) into the designated position. Ensure all pre-drilled holes are properly aligned, then tighten all bolts (2) and flat washers (8) using the provided Allen wrench (5), but do not fully tighten at this stage.



First add one flat washer on each bolt as shown, use the allen wrench provided to tighten all the bolts by 30-50% first, make sure that all bolts are aligned correctly before fully tightening.

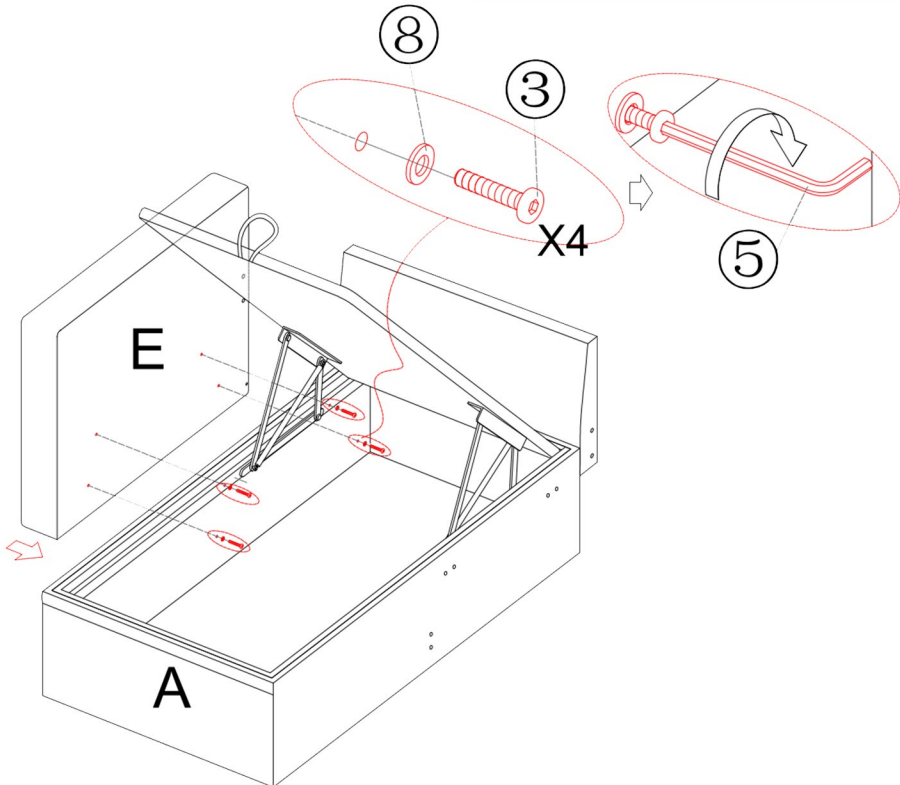


step 3 ---Install the Right Armrest (E)

Position the Right armrest (E) next to the side of the chaise frame as shown. From inside the chaise frame, use the provided Allen wrench (5) to secure the armrest by tightening all bolts (3).




First add one flat washer on each bolt as shown, use the allen wrench provided to tighten all the bolts by 30-50% first, make sure that all bolts are aligned correctly before fully tightening.

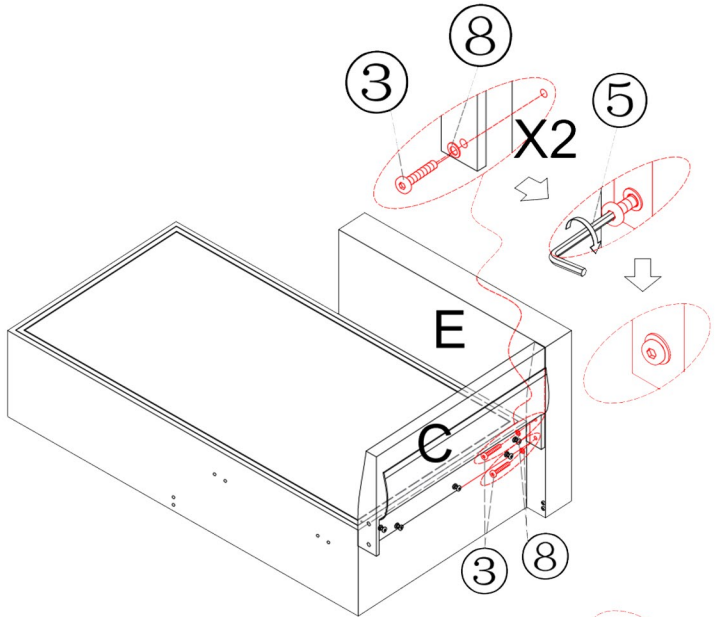


step 4 ---Install the Chaise Backrest (C)

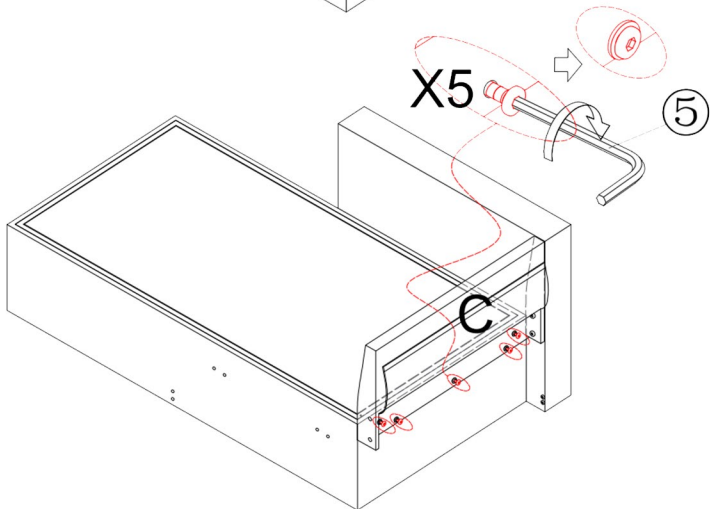
Place the chaise backrest (C) into the designated position. Ensure all pre-drilled holes are properly aligned, then tighten all bolts (3) and flat washers (8) using the provided Allen wrench (5). Tighten all bolts from step 2.

1.


First add one flat washer on each bolt as shown, use the allen wrench provided to tighten all the bolts by 30-50% first, make sure that all bolts are aligned correctly before fully tightening.

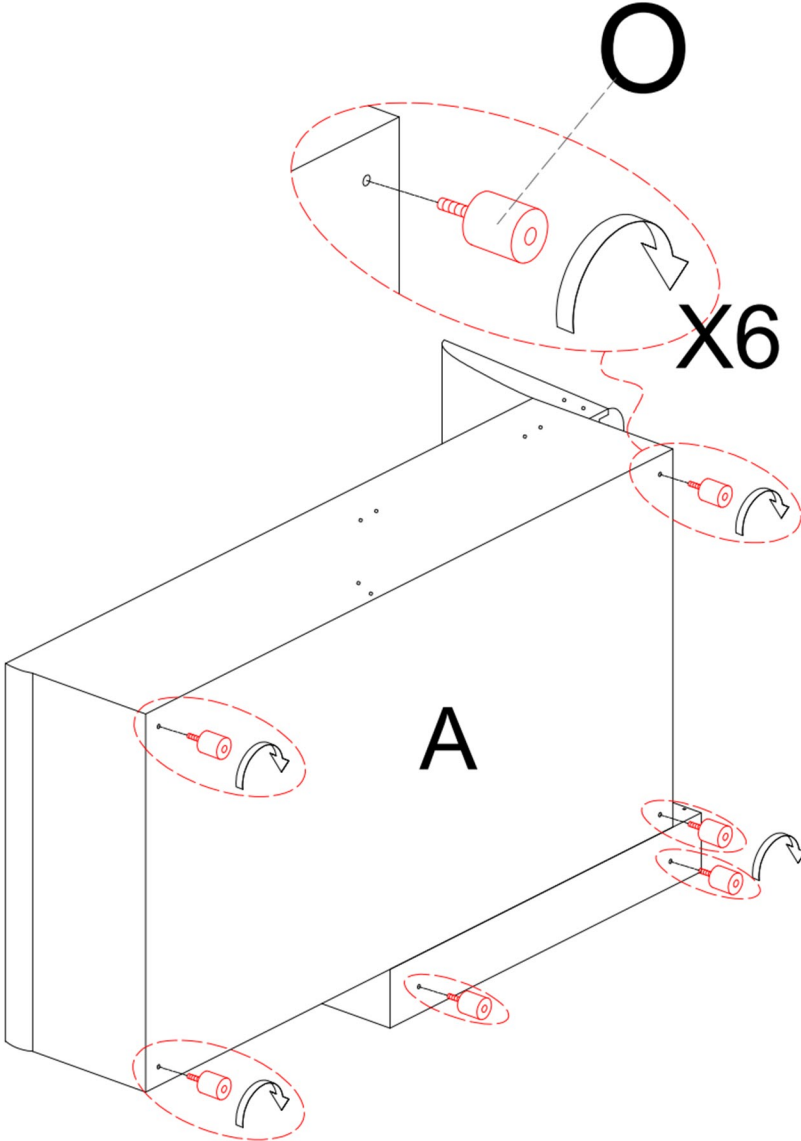


2.



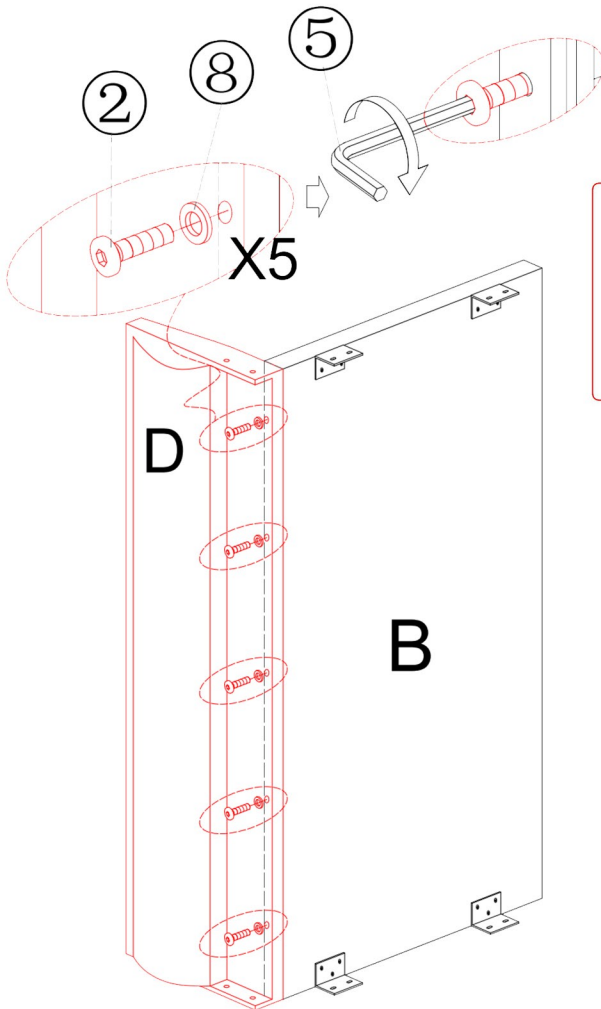
step 5 ---Attach the Chaise Legs (O)

Carefully place the chaise on its side. Screw all six legs (O) into the corresponding threaded holes by twisting them clockwise until fully secured.



step 6 ---Connect the Brackrest (D)

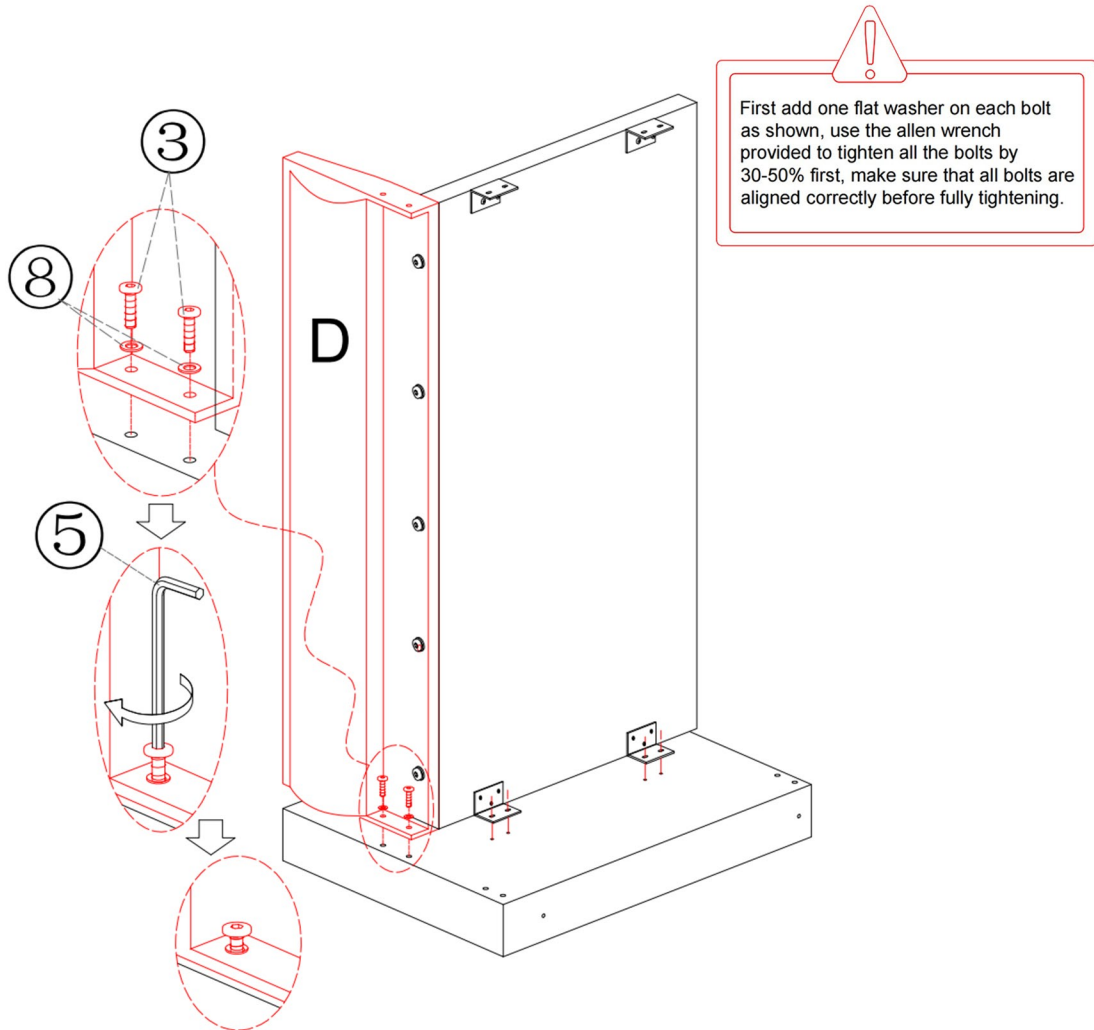
Align the pre-drilled holes on both the backrest (D) and the seat frame(B). Insert and tighten all bolts (2) & flat washers (8) with the Allen wrench (5) to fully secure the connection.



First add one flat washer on each bolt as shown, use the allen wrench provided to tighten all the bolts by 30-50% first, make sure that all bolts are aligned correctly before fully tightening.

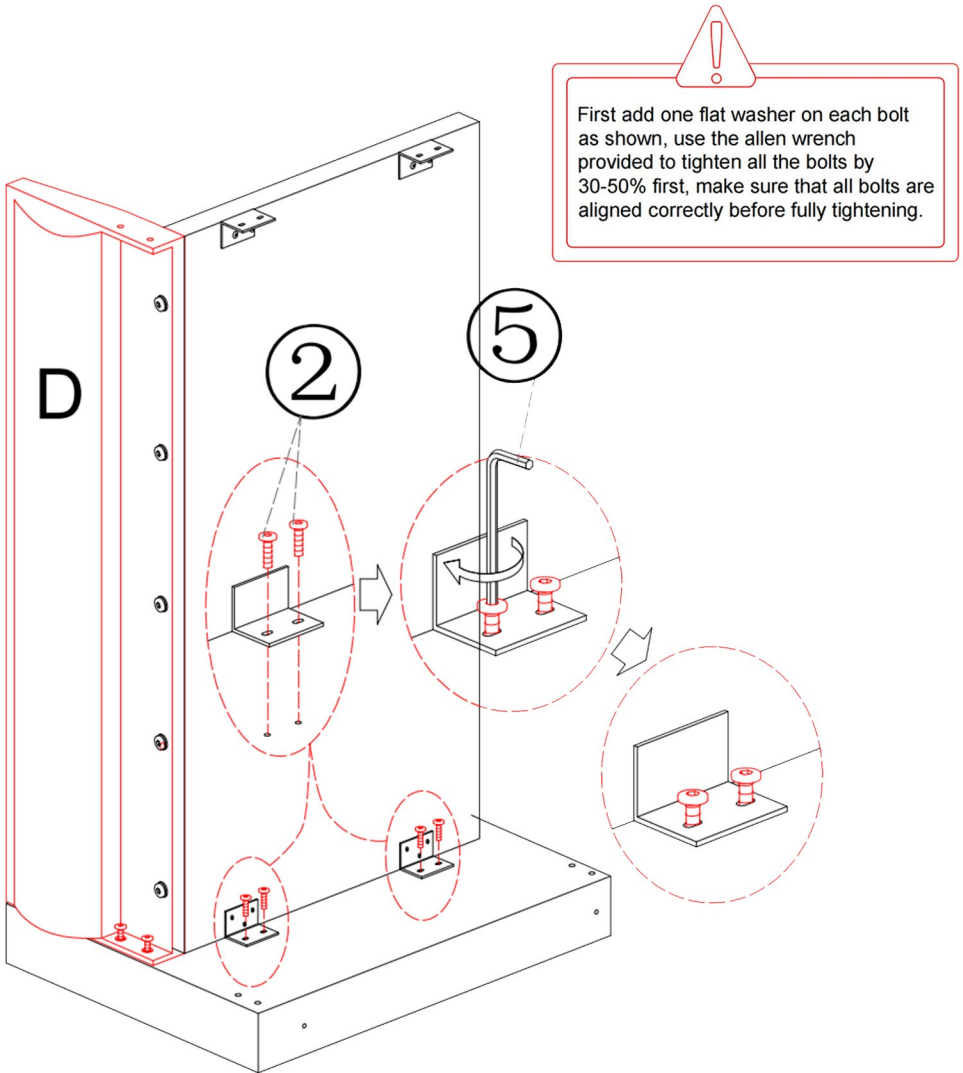
step 7---Secure the Backrest to the Left Armrest

Position the backrest (D) onto the partially assembled Left arm. Align all bolt holes accurately and tighten the bolts (3) & flat washers (8) using the provided Allen wrench (5), but do not fully tighten at this stage.



step 8 ---Secure the Seat frame to the Left Armrest

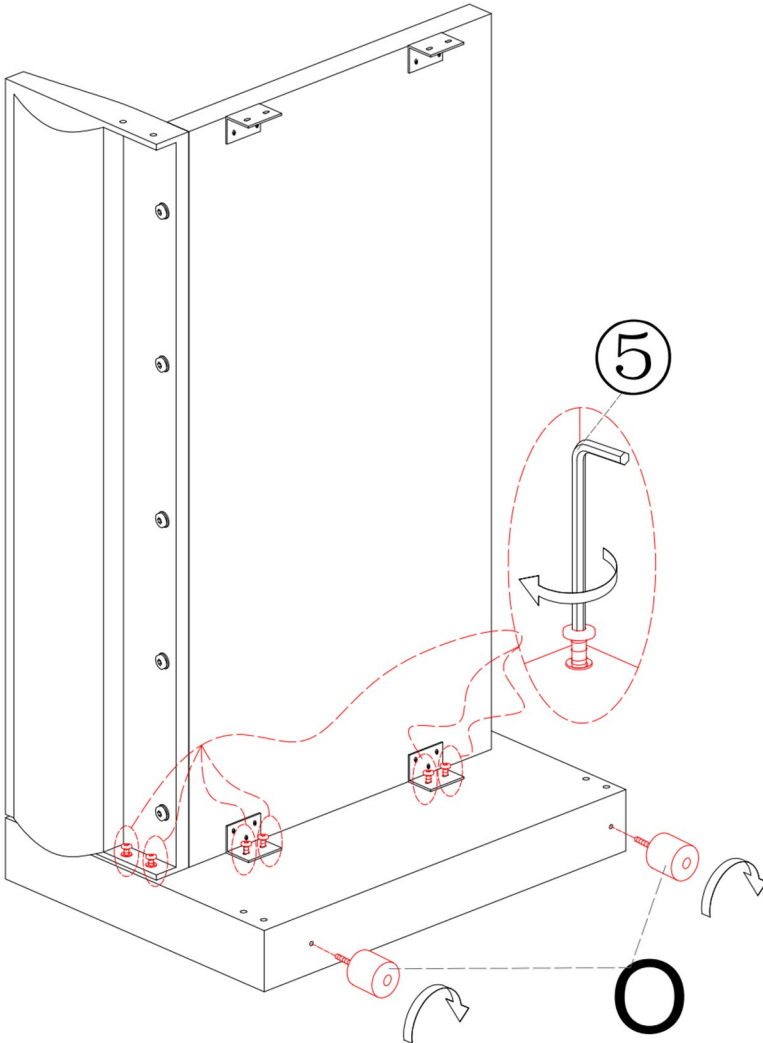
Align the holes on the angle iron with the pre-drilled holes on the Left armrest as shown. Insert and tighten the bolts (2) using the Allen wrench (5).



step 9 ---Install the Sofa Legs (O)

Use allen wrench (5) tighten all bolts.

place the sofa carefully on its arm. Screw the legs (O) into the designated holes by twisting them clockwise until firmly attached.



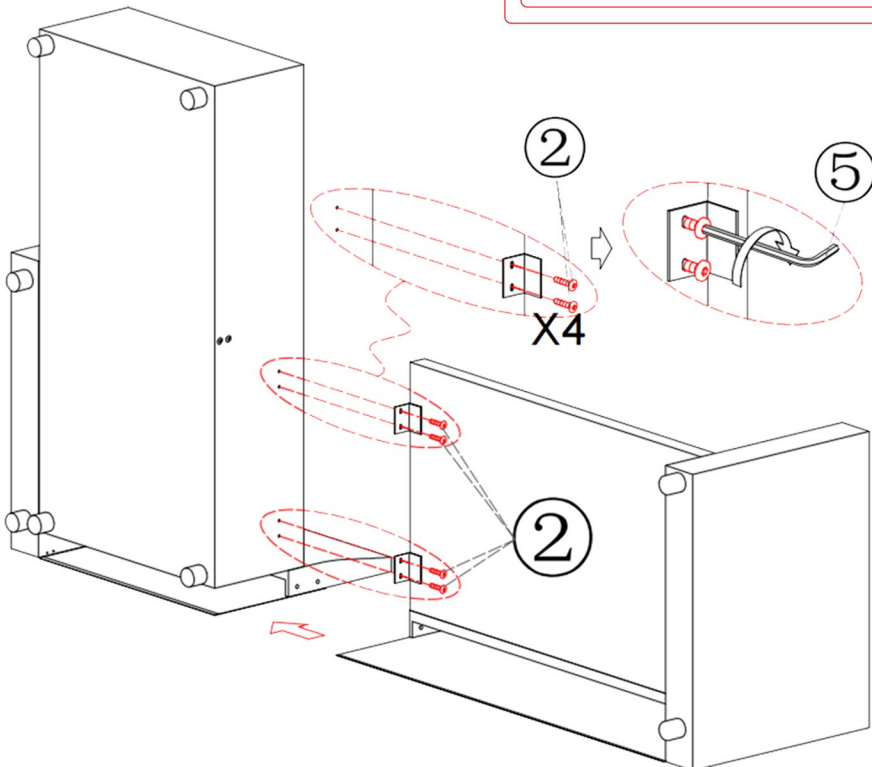
step 10 ---Connect the Chaise and Sofa

Lay both the chaise and sofa sections on their backs and position them as close together as possible. Align the angle iron on the sofa seat frame with the pre-drilled holes on the chaise side frame. Secure all bolts (2) using the Allen wrench(5).



Notice:

We suggest tightening the bolts for 30-50% first, make sure the process is correct and bolt holes are aligned, then fully tightening them all.

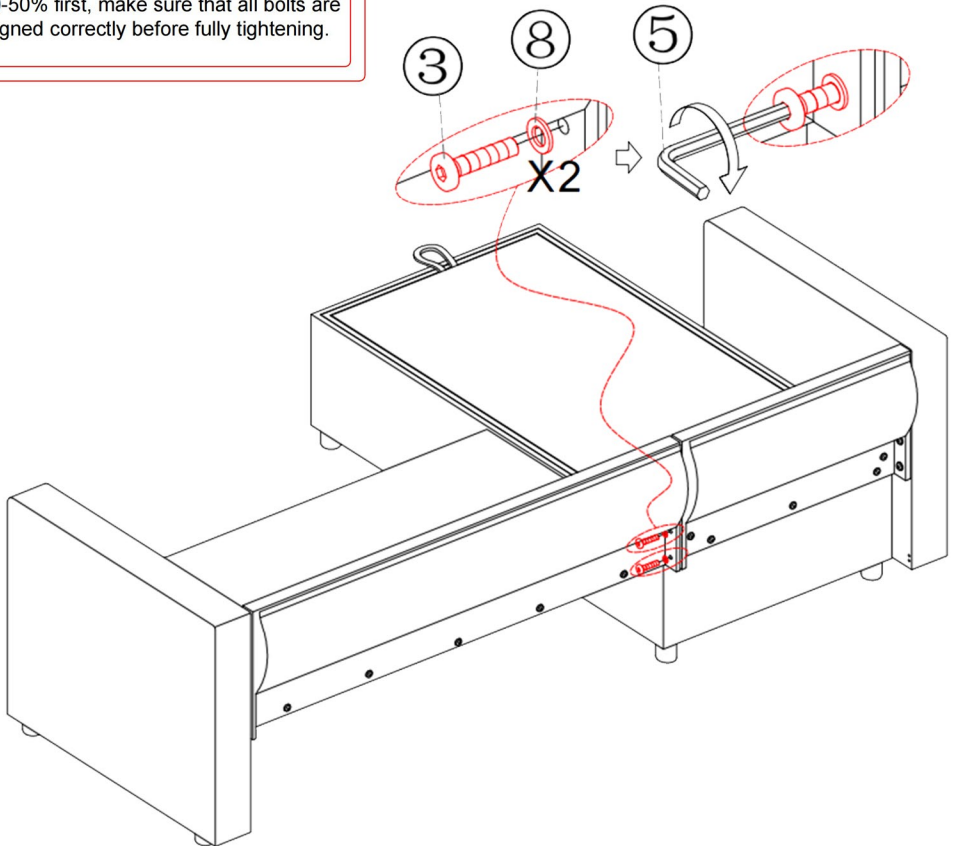


step 11 ---Connect the Sofa backrest

Align the backrest with the pre-drilled holes on the chaise side frame. Secure all bolts (3) & flat washers (8) using the Allen wrench (5).




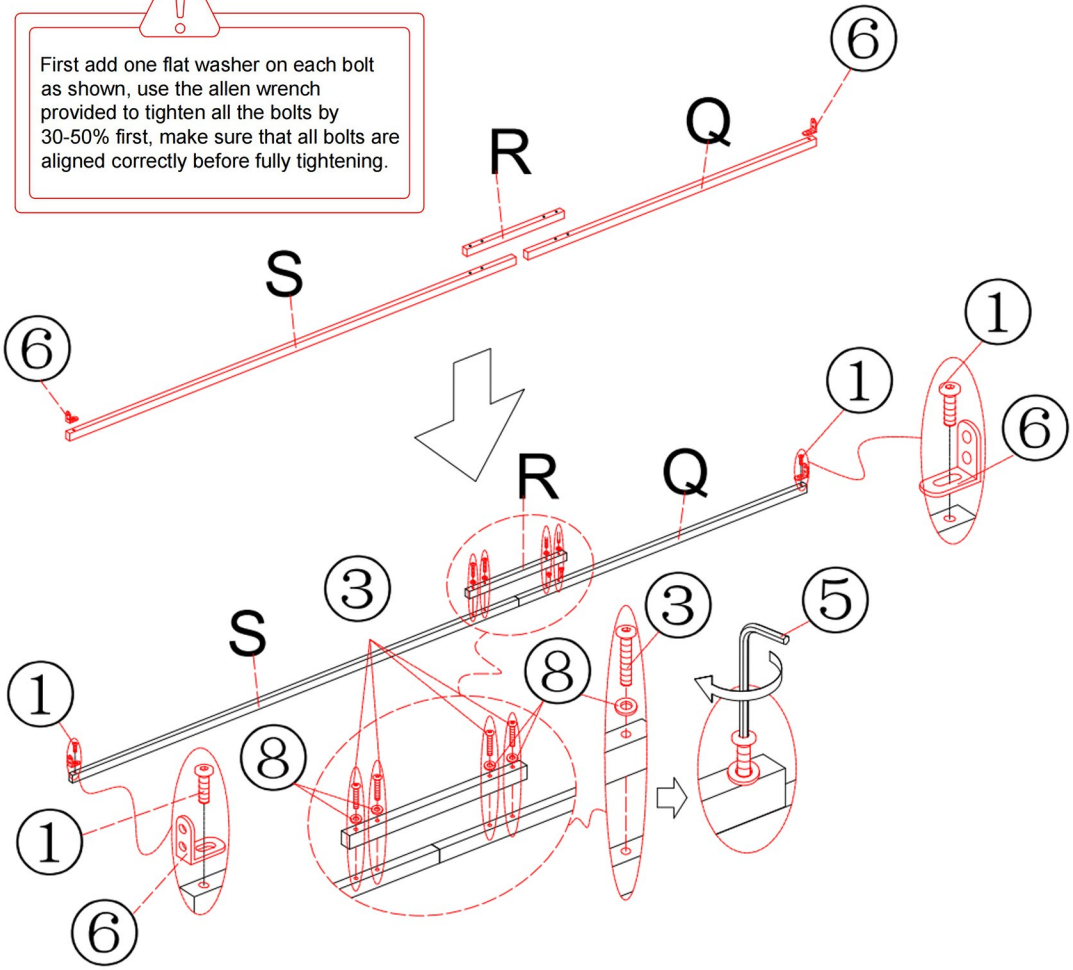
First add one flat washer on each bolt as shown, use the allen wrench provided to tighten all the bolts by 30-50% first, make sure that all bolts are aligned correctly before fully tightening.



step 12 ---Assemble the connecting wooden strips (S&R&Q)

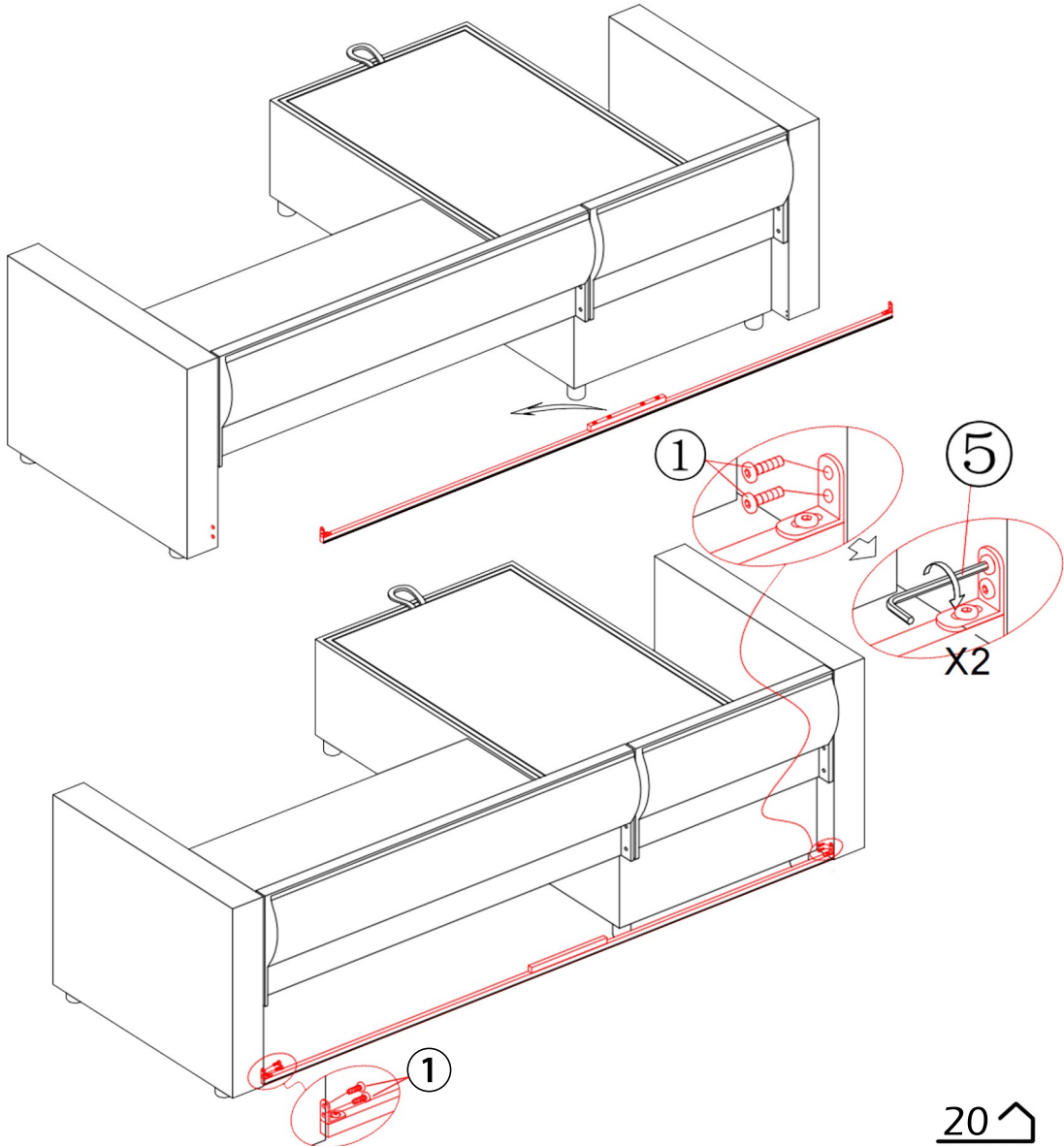
Join the two long bars together, then place the short bar across the top as shown. Secure the bars with bolts using the Allen wrench. Install the angle irons onto both ends of the connecting wooden strips


First add one flat washer on each bolt as shown, use the allen wrench provided to tighten all the bolts by 30-50% first, make sure that all bolts are aligned correctly before fully tightening.



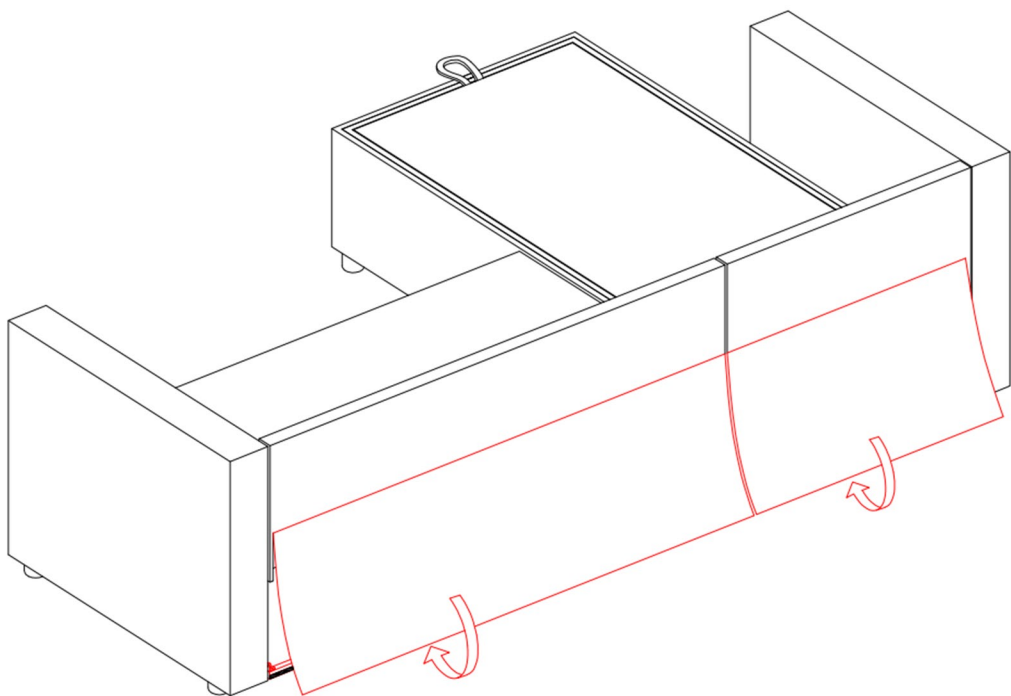
step 13 --- Install the connecting wooden strips

Place the connecting wooden strips between two parts as shown, and use the allen wrench (5) provided to fix the connecting wooden strips.



step 14 ---Attach the Back Fabric

Secure the back fabric by fastening the Velcro strips onto the rear bars as shown.



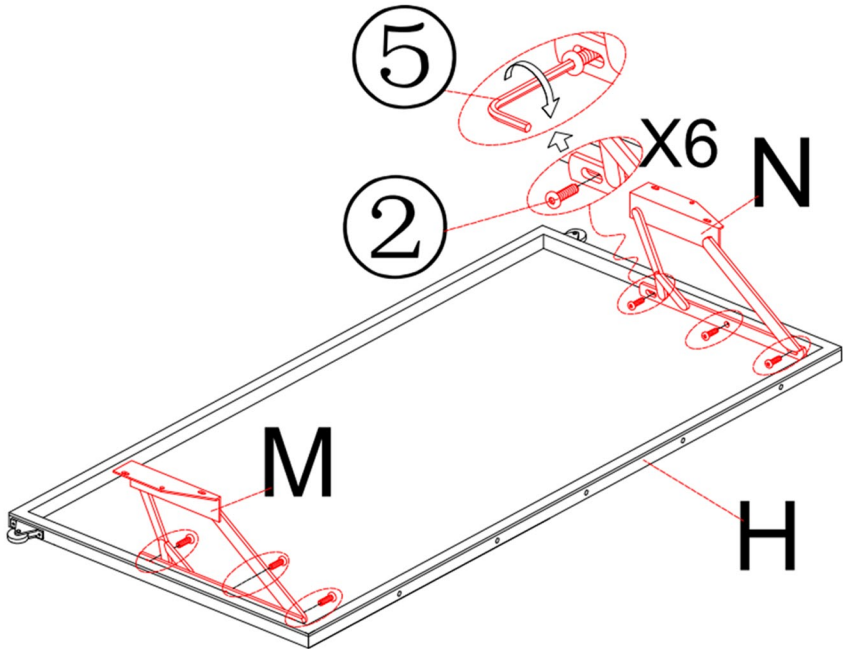
step 15 --- Install the Foldable Racks

Attach the foldable racks to both sides of the pull-out bed frame. Tighten all bolts securely using the provided Allen wrench (5).



Notice:

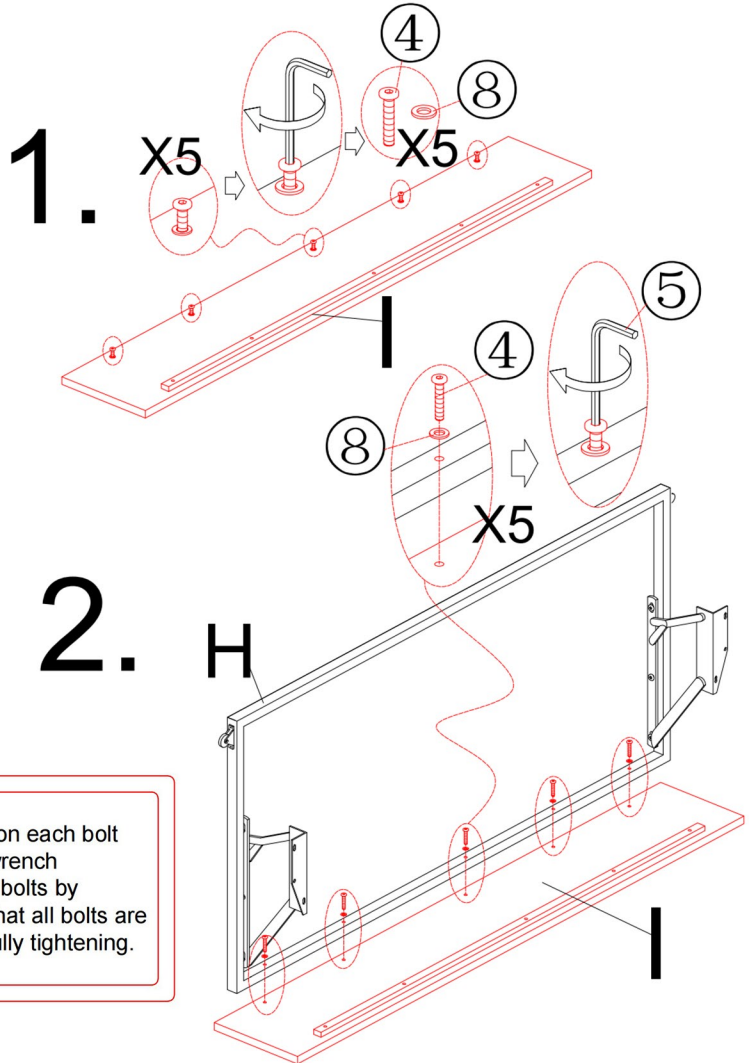
We suggest tightening the bolts for 30-50% first, make sure the process is correct and bolt holes are aligned, then fully tightening them all.



step 16 ---Install the Front Panel (I)

Remove the pre-drilled bolts (4) & flat washer (8) from the Front panel (I).

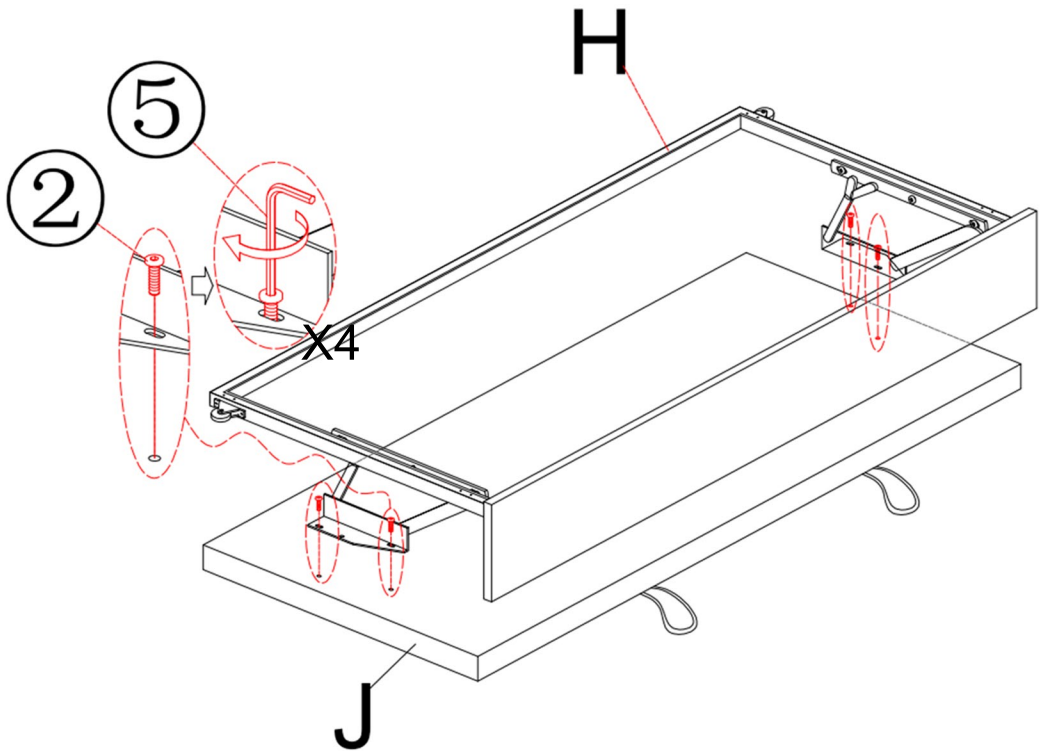
Place the front panel flat on a clean surface. Align the pre-drilled holes on both the pull-out bed frame and the front panel. Secure them together using the Allen wrench (5).



First add one flat washer on each bolt as shown, use the allen wrench provided to tighten all the bolts by 30-50% first, make sure that all bolts are aligned correctly before fully tightening.

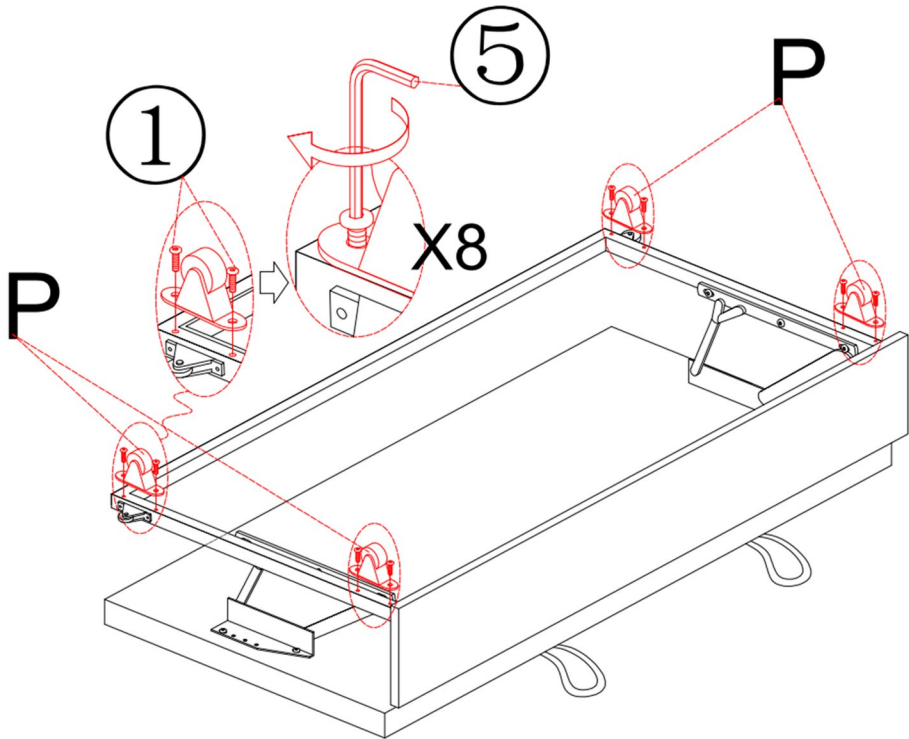
step 17 --- Install the Pull-Out Bed Top

Place the bed top (J) flat on a clean surface. Align the bolt holes on the foldable racks with the bed top. Tighten all bolts (2) securely using the provided Allen wrench (5).



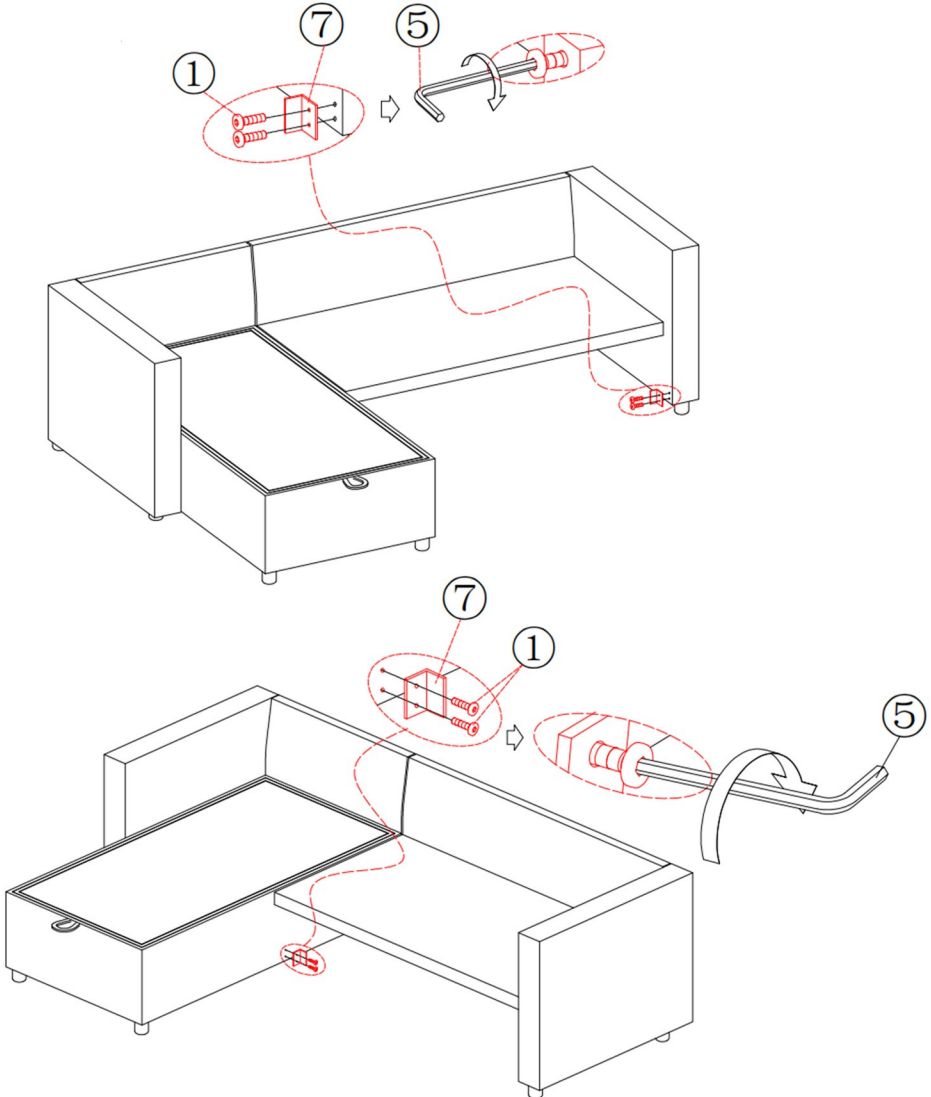
step 18 --- Install the Wheels(P)

Attach the four wheels to the bed frame as shown. Tighten all bolts (1) using the Allen wrench (5) to ensure the wheels are firmly secured.



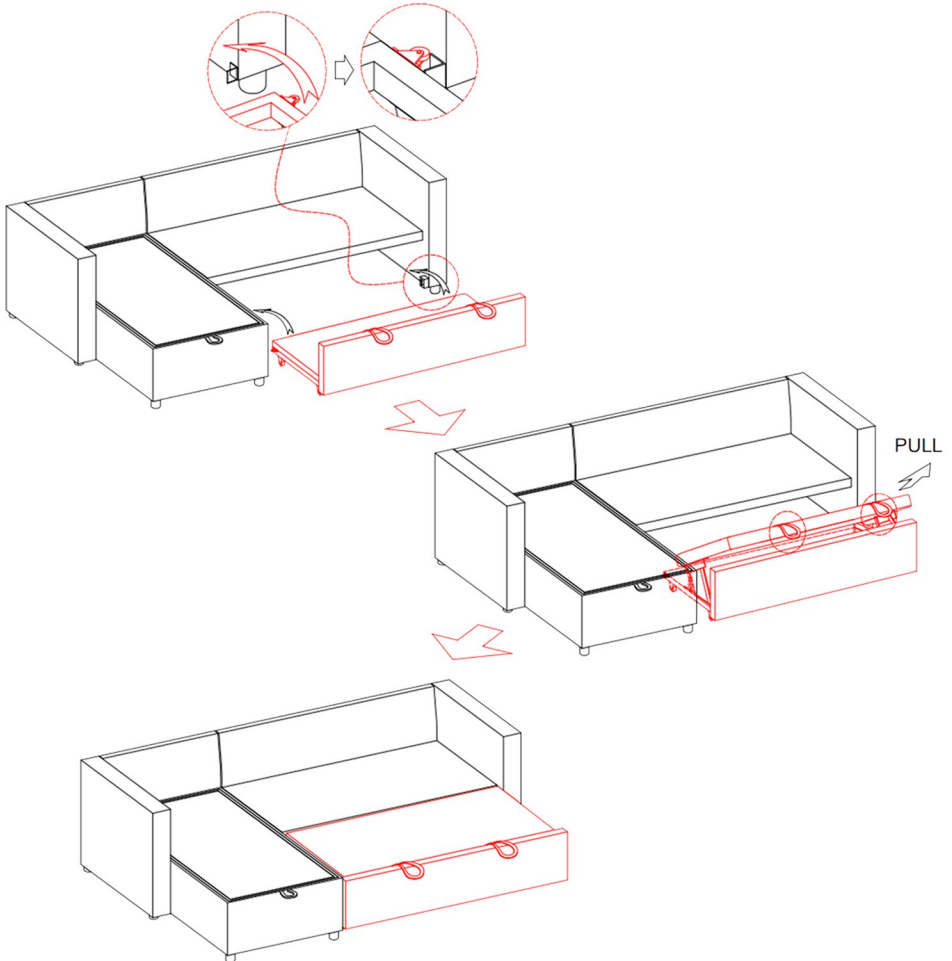
step 19 --- Install the Stopping Blocks (7)

Install the two stopping blocks (7) inside the sofa frame to prevent the bed from being pulled out too far. Secure them in place using the provided Allen wrench (5).



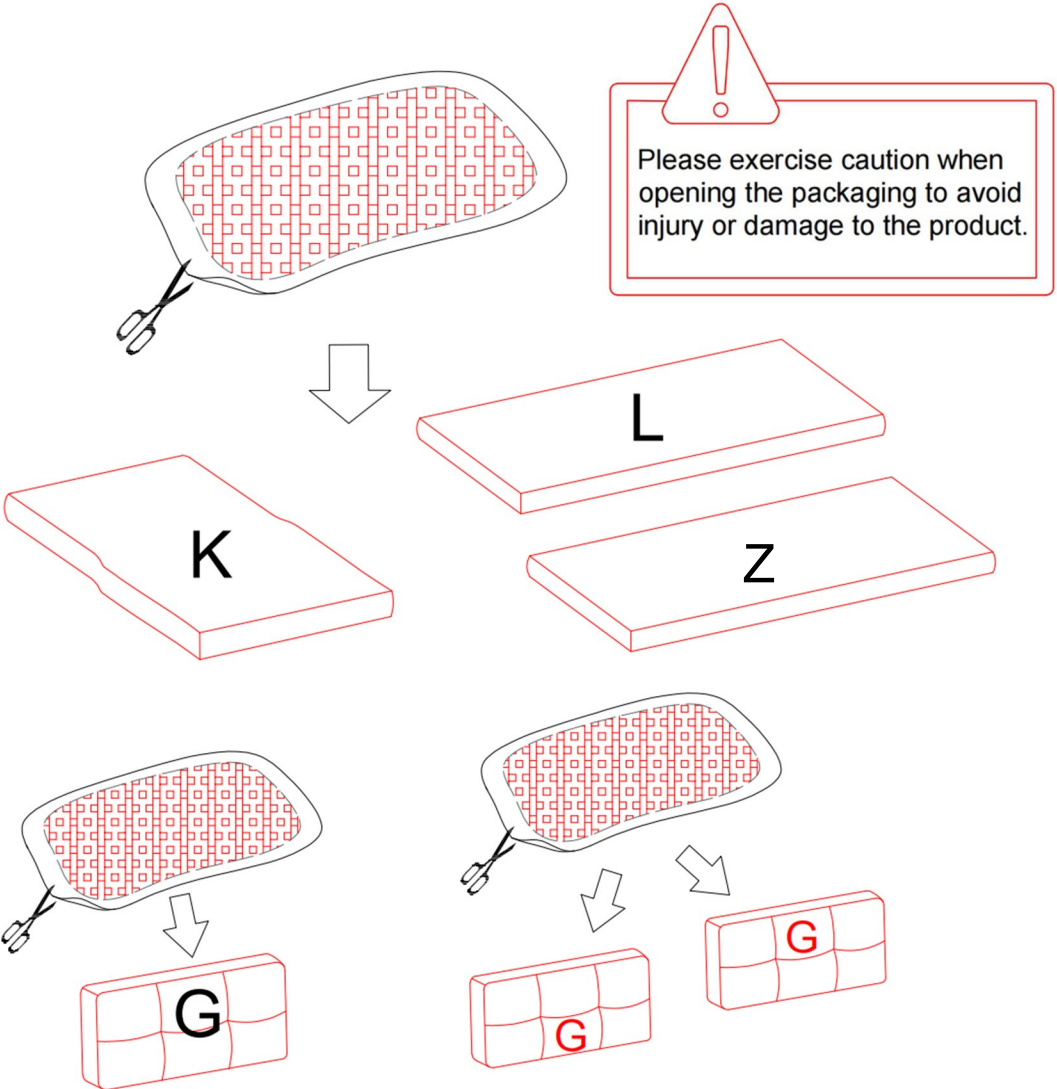
step 20

Lift up the Footrest a little and place the Sliding Wheels into the Rails as shown. Make sure the Sliding Wheels on both sides are inside the rail. Then push the Footrest into the bottom of the chair. When in need of using the Pull-Out Bed, pull the bed from the bottom. Grab the handle of the Footrest, and pull the handle 45-degree upwards. When the Cushion Top reached a certain height, pull the rest of the cushion out.



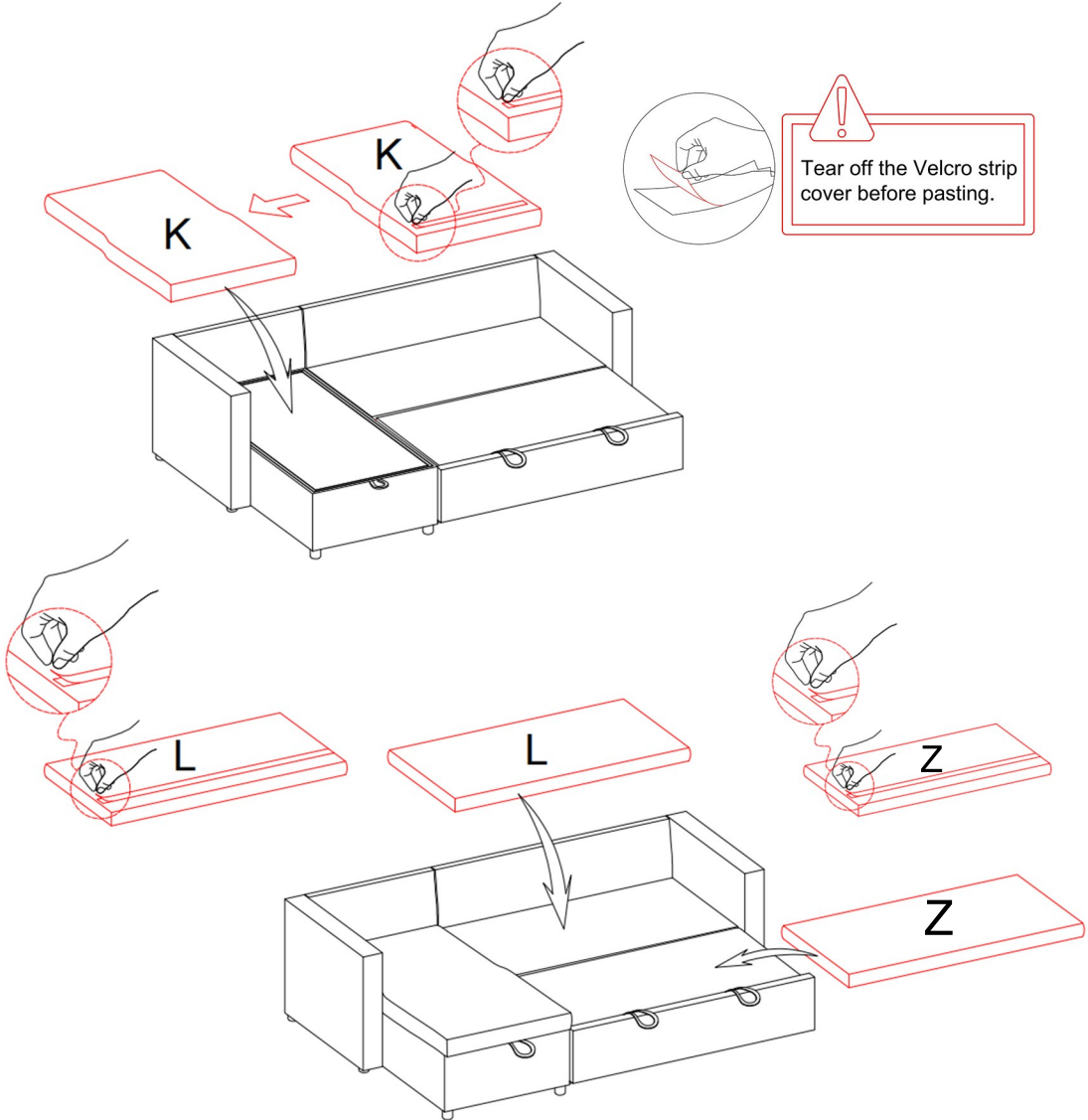
step 21 ---Cut the plastic air compression bags

Cut the plastic air compression bags, and take out the cushion (K&L&G&Z). Let it recover to its original shape, the whole recovery process might take **48** hours, you may gently slap on it to speed up the process.



step 22 ---Place the seat cushion (K)&(L)&(Z)

Place the seat cushion (K) & (L) & (Z) as picture shown.



step 23 ---Place the back cushion (G)

Place the Back cushion (G) as picture shown.

Grab the Handle on the edge of the Pull-Out Bed as shown, and pull the bed out, DO NOT use too much strength. When the bed is not used, lift the handle upwards until the Bed starts to fold, then push the bed back into the Seat Frame.

