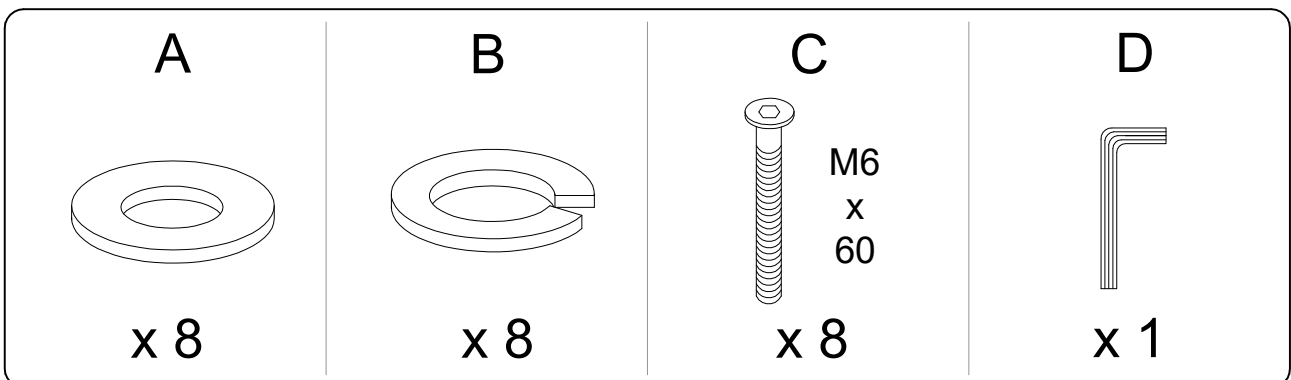
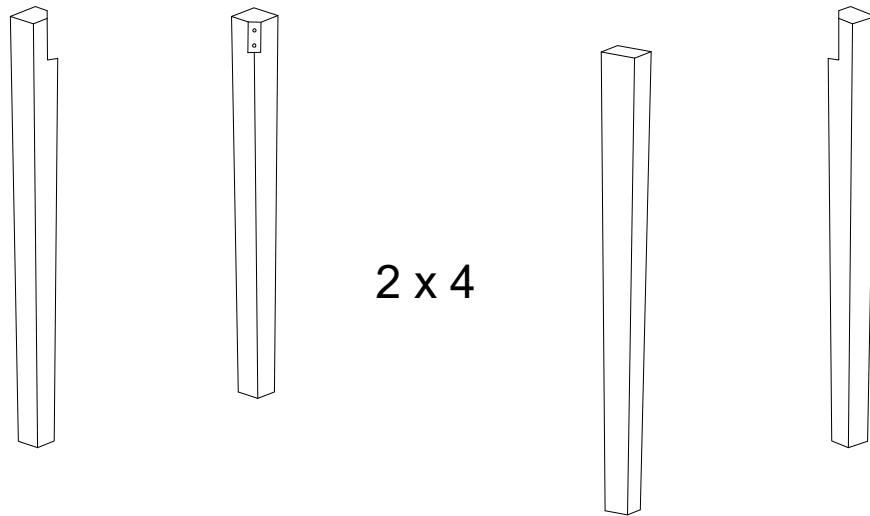
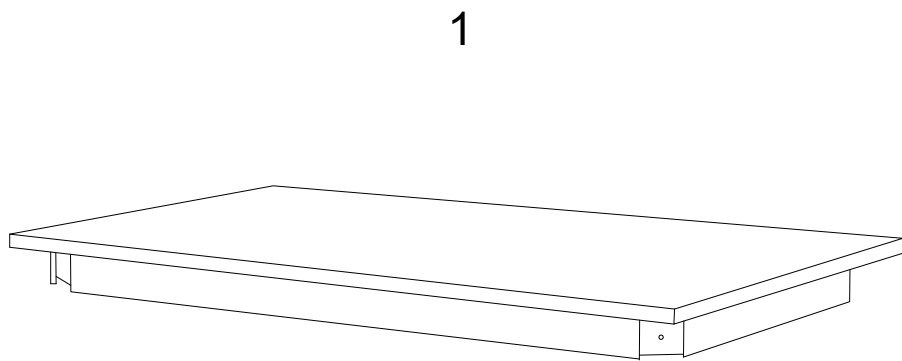
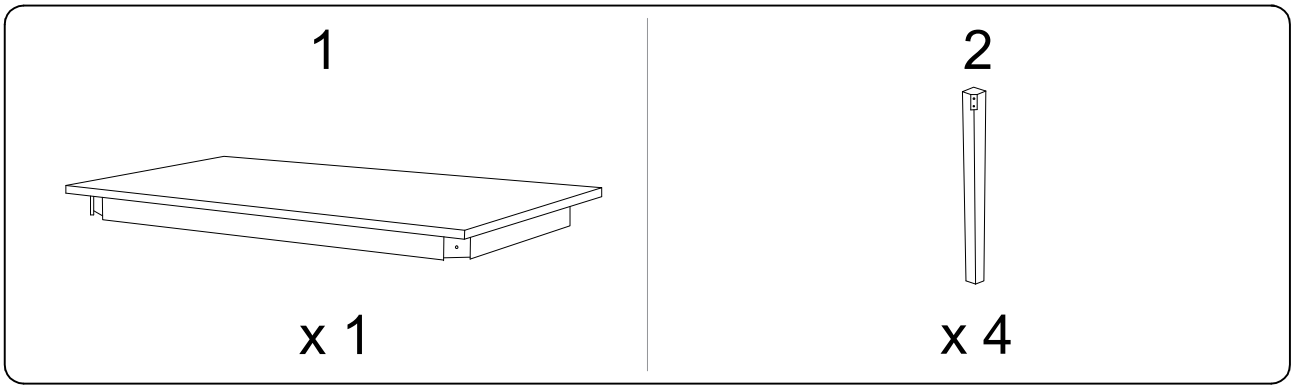


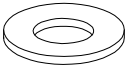

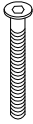
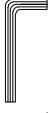


Diagram illustrating assembly instructions and safety warnings:

- Warning 1:** A triangular warning symbol with an exclamation mark is positioned above a box. Inside the box, on the left, is a circular icon containing an L-shaped metal bracket. On the right is a power drill with a diagonal line through it, indicating that a power drill should not be used.
- Warning 2:** A second triangular warning symbol with an exclamation mark is positioned above another box. Inside this box, on the left, is a circular icon showing a rectangular block being placed on a textured surface. On the right is a diagram of a rectangular block with a diagonal line through it, indicating that the block should not be placed on a soft or uneven surface.
- Time:** A clock icon is shown to the right of the first warning, with the number **30'** below it, indicating a 30-minute assembly time.
- Person:** A stick figure icon is shown to the right of the second warning, with the number **1** below it, indicating that one person is required for assembly.



1

1	2	A	B	C	D
				 M6 x 60	
x 1	x 4	x 8	x 8	x 8	x 1

