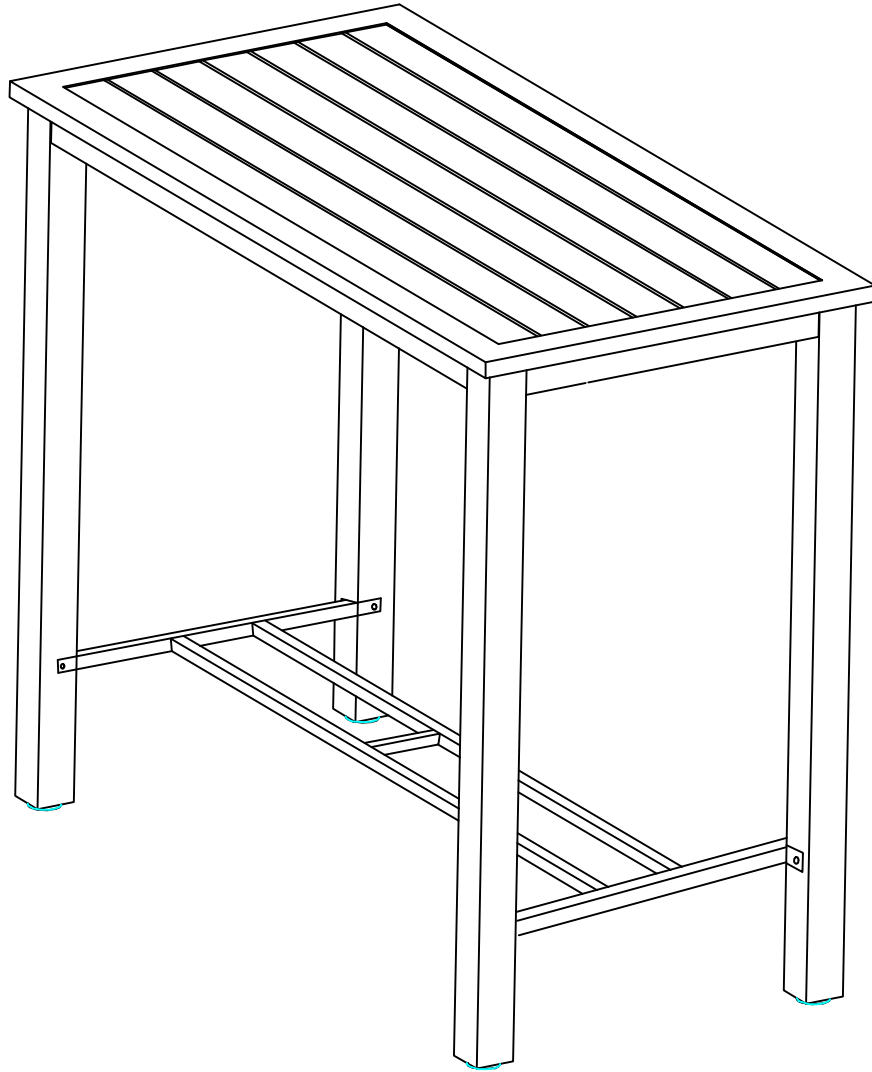
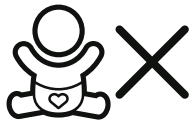


Table



IMPORTANT

Please follow the instruction manuals and use a pad to avoid damage during assembly.



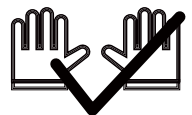
Not intended for use by children. Please keep your children closely supervised.



Keep away from fire or other heat sources.



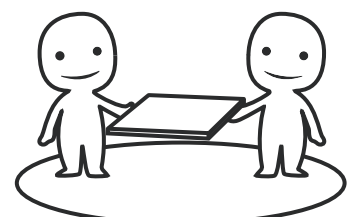
Do not use harsh cleaner for cleaning!



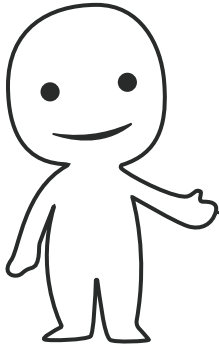
We recommend wearing protective gloves for assembly.



Identify, sort and count the parts before assembly.



ASSEMBLED BY 2 ADULTS

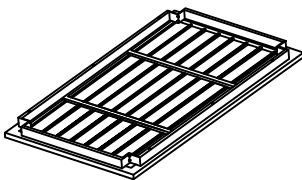
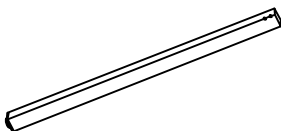
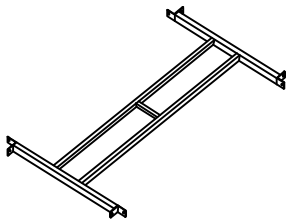


Please prepare the following tools

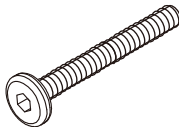
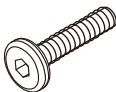




When installing, please carefully confirm whether each screw corresponds to the manual, accessories with similar shapes can be distinguished by size

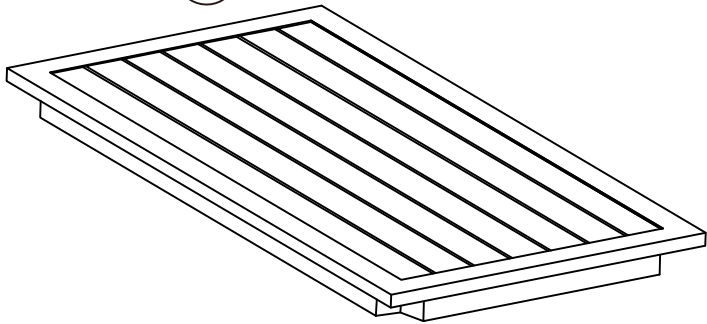
Parts List

			
(A) Table top 1PC	(B) Table leg 4PCS	(C) Table base 1PC	

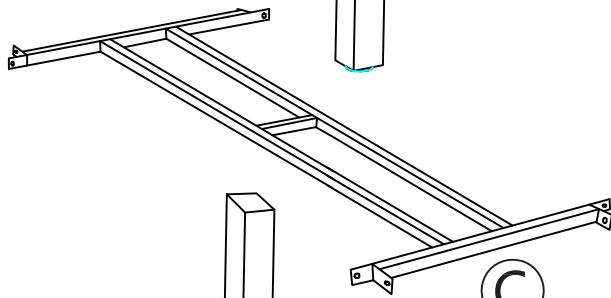
Hardware List

			
(D) M6 x 35 mm 8PCS	(E) M6 x 15 mm 8PCS	(F) 16PCS	(G) 1PC

A



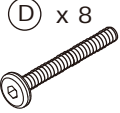


B



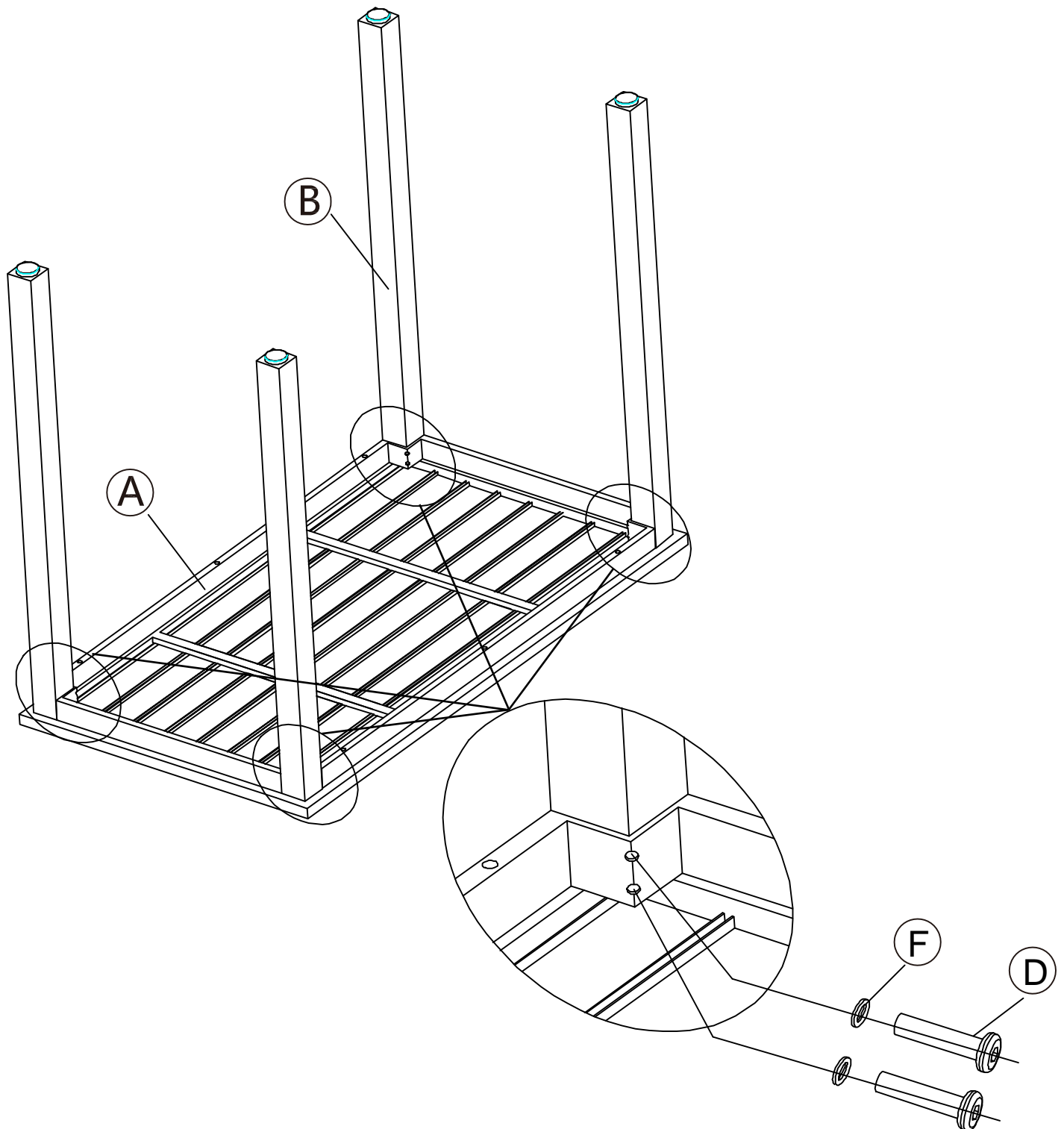
C






STEP 1

 ⓓ x 8 M6 x 35 mm	 ⓕ x 8	 ⓖ x 1	
--	--	--	--

Fix Table legs B to Table top A.
DO NOT FULLY TIGHTEN.

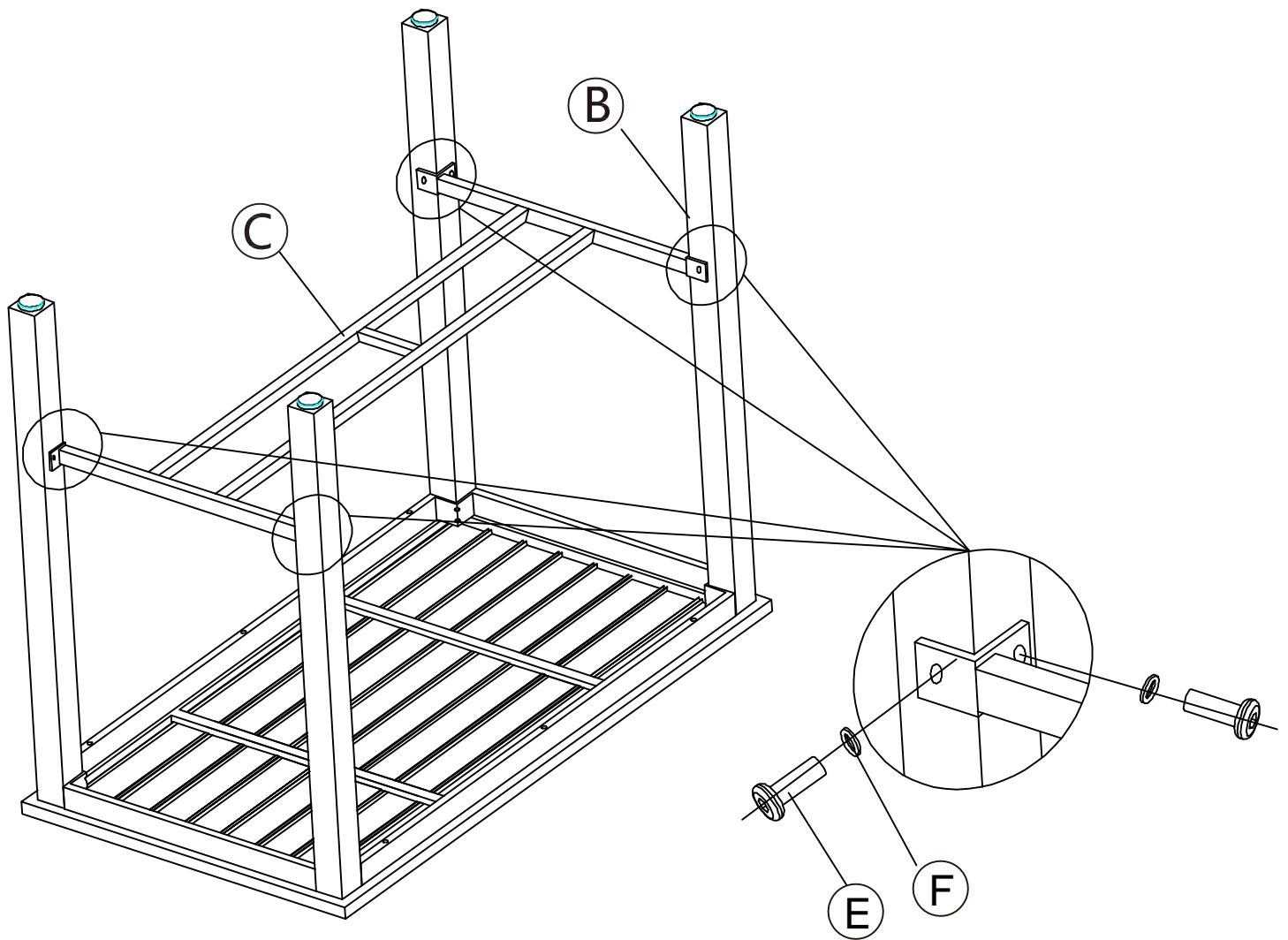


STEP 2

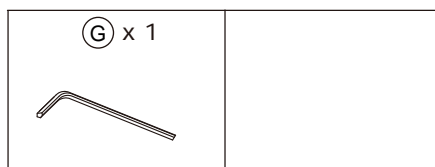
 E x 8 M6 x 15 mm	 F x 8	 G x 1	
--	--	--	--

Fix Table base C to Table legs B.

DO NOT FULLY TIGHTEN.



STEP 3



**Adjust alignments and NOW
TIGHTEN ALL SCREWS with Allen key (G).**

