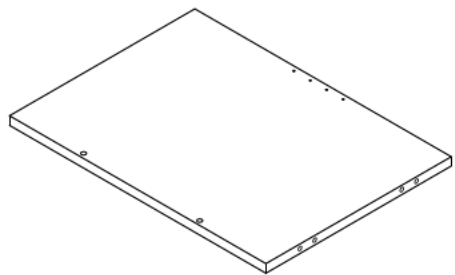
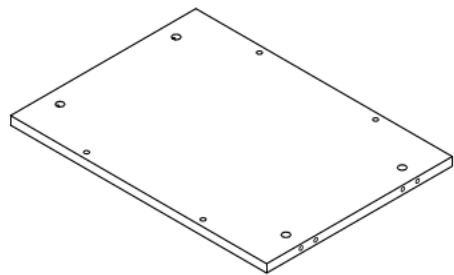


1 564*408



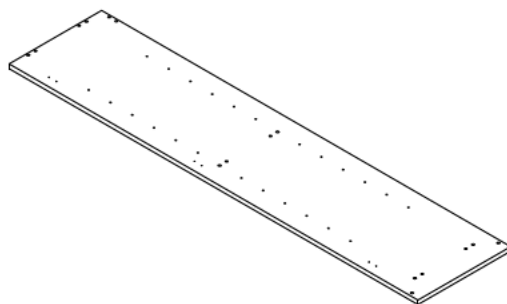
1PCS

2 564*408



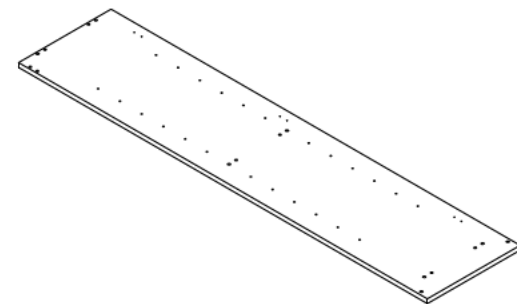
1PCS

3 1800*408



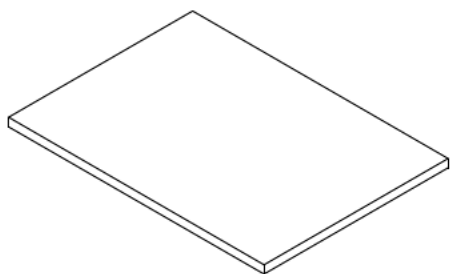
1PCS

4 1800*408



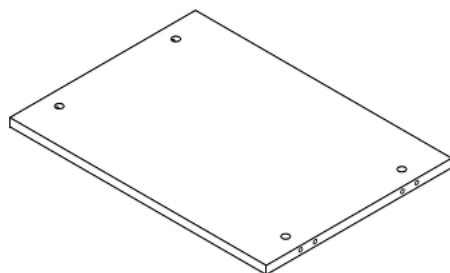
1PCS

5 562*405



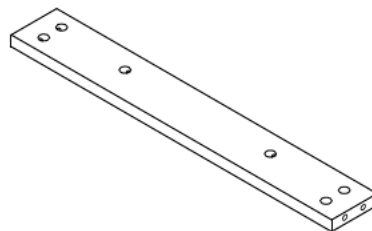
2PCS

6 564*408



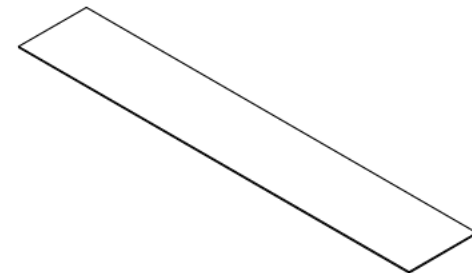
1PCS

7 564*80



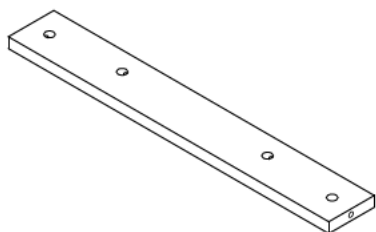
1PCS

8 1718*298



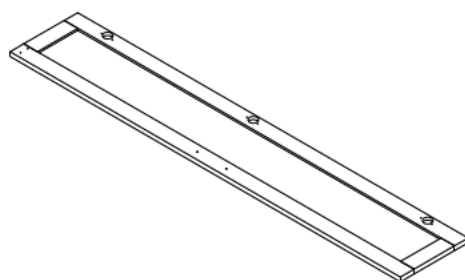
2PCS

9 564*80



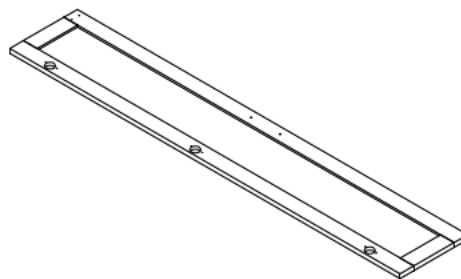
2PCS

10 1718*298



1PCS

11 1718*298



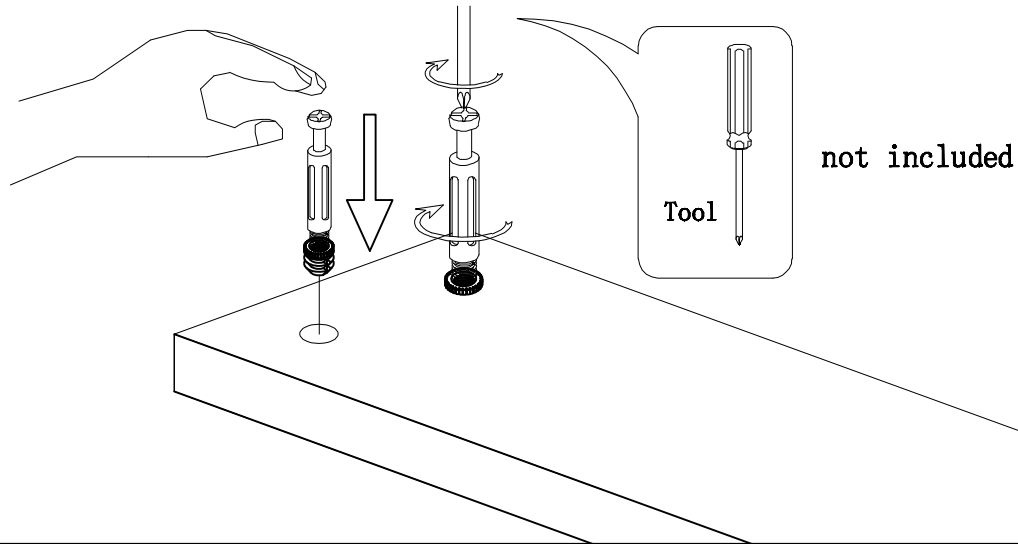
1PCS



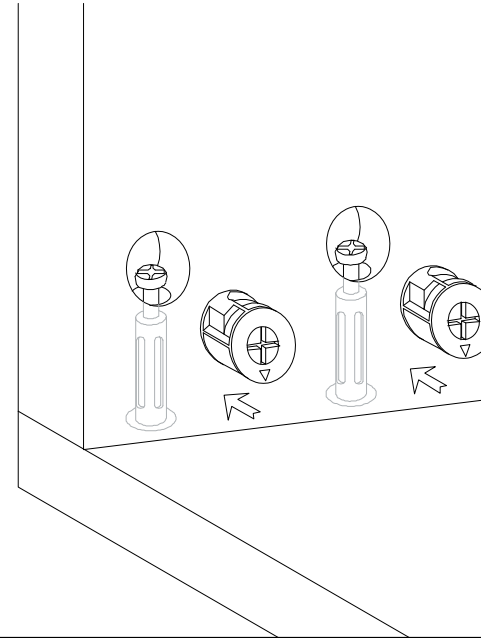
Hardware installation demonstration

NOTE: Please make sure "A" hardware tightened and can't be pulled out!

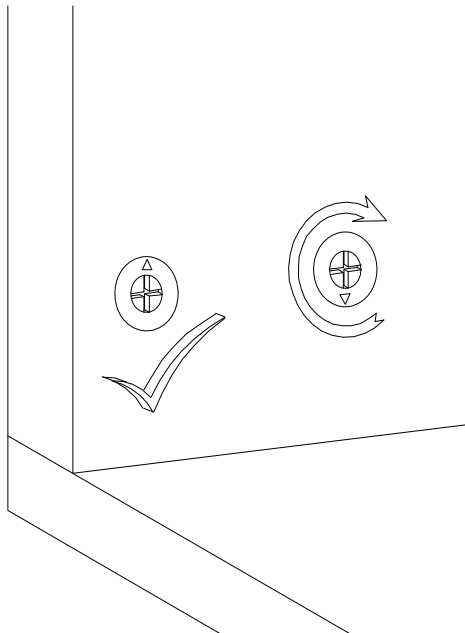
I



II

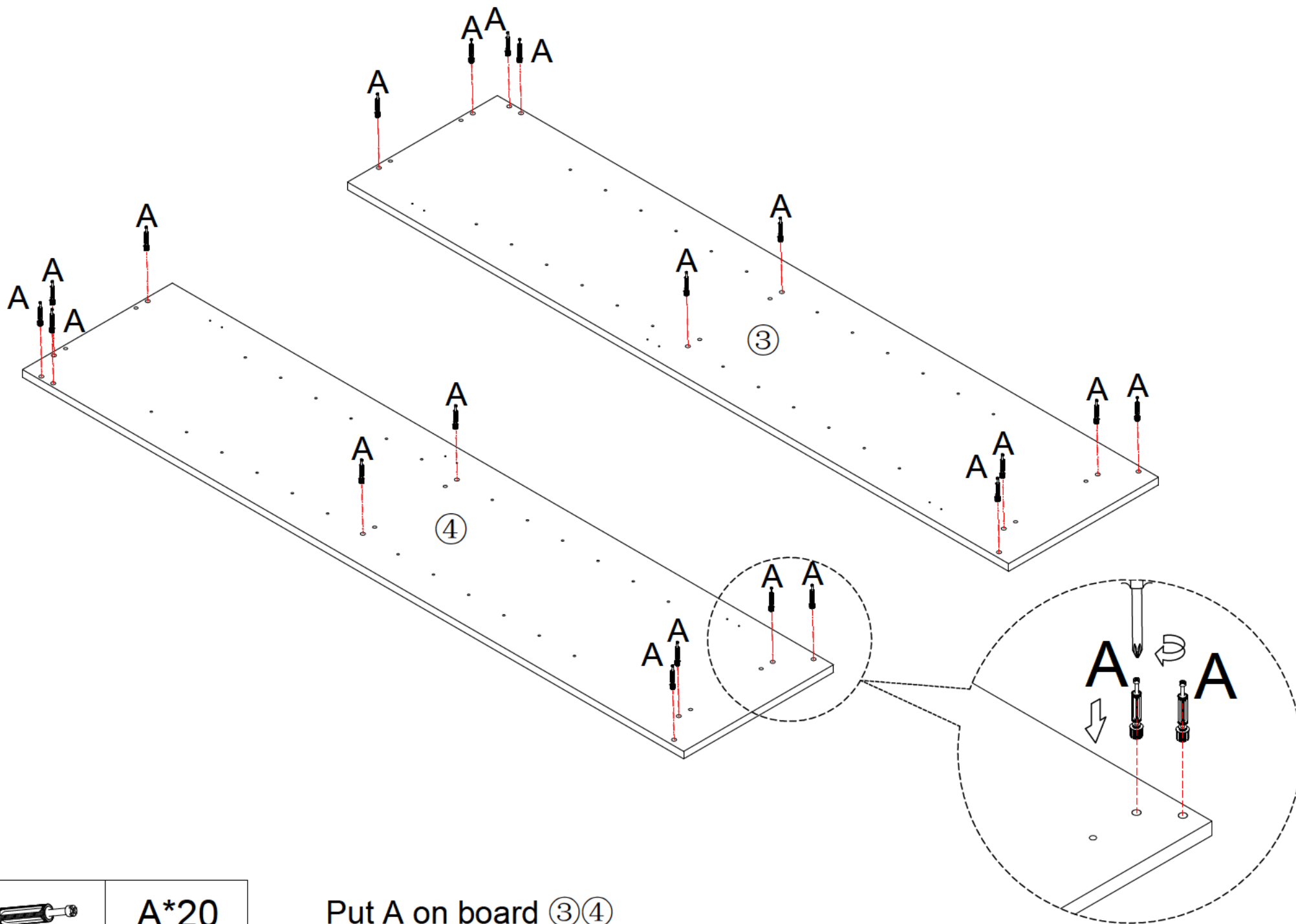


III



IV

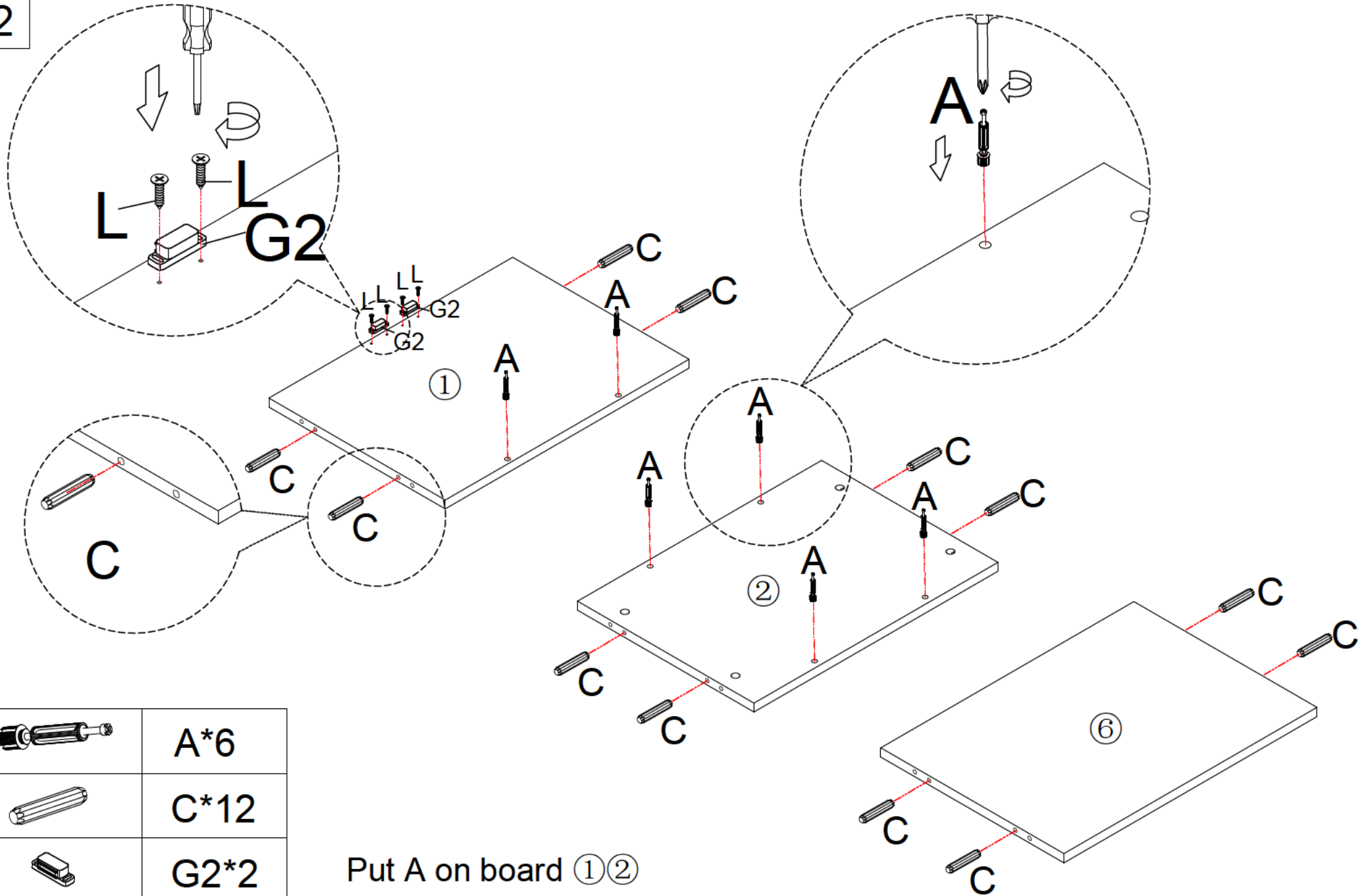
1




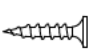


A*20

Put A on board ③④

2



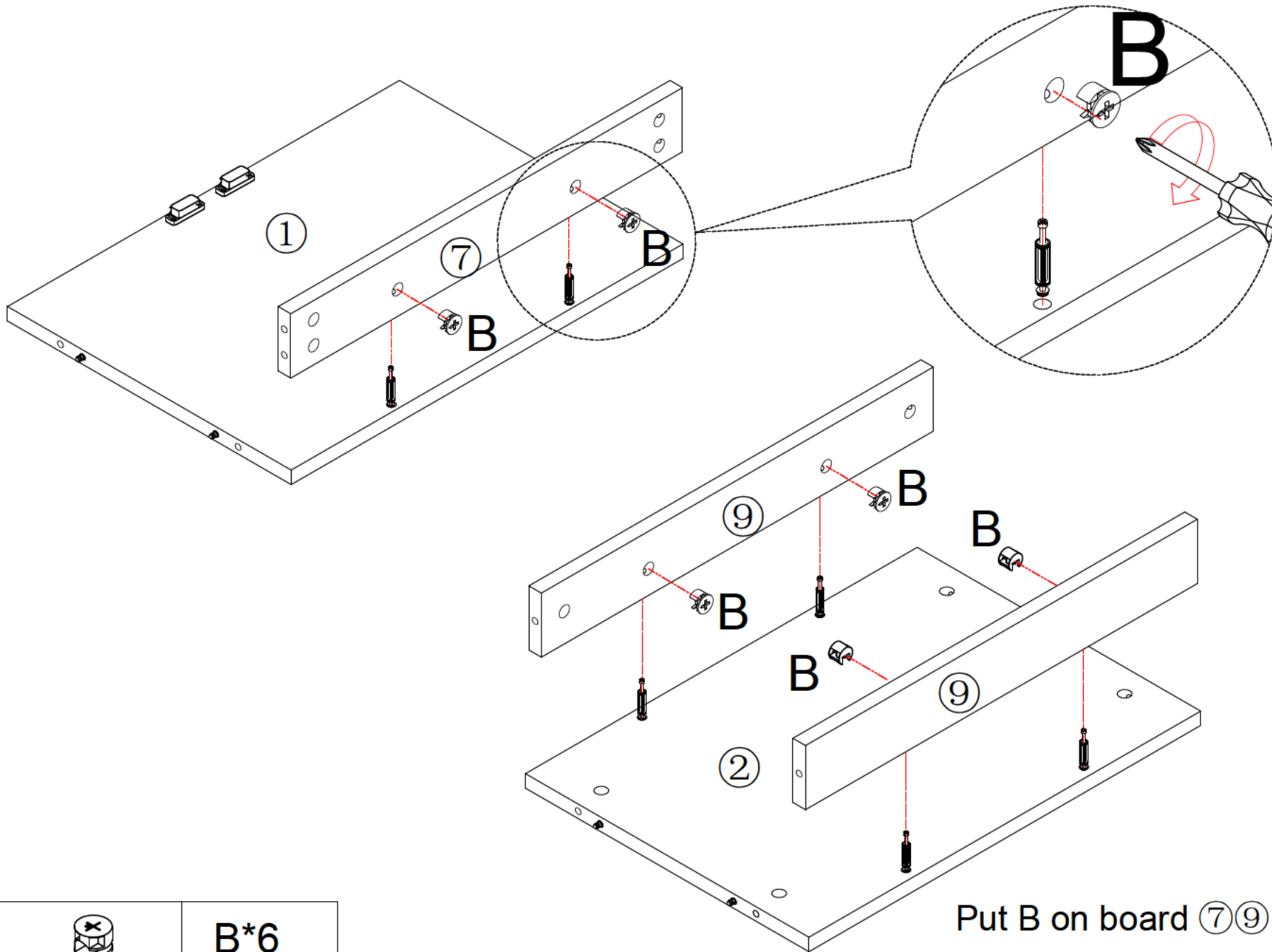
	A*6
	C*12
	G2*2
	L*4

Put A on board ①②

Put C on board ①②⑥

3

Make sure the arrow on the screw align to the hole on the side

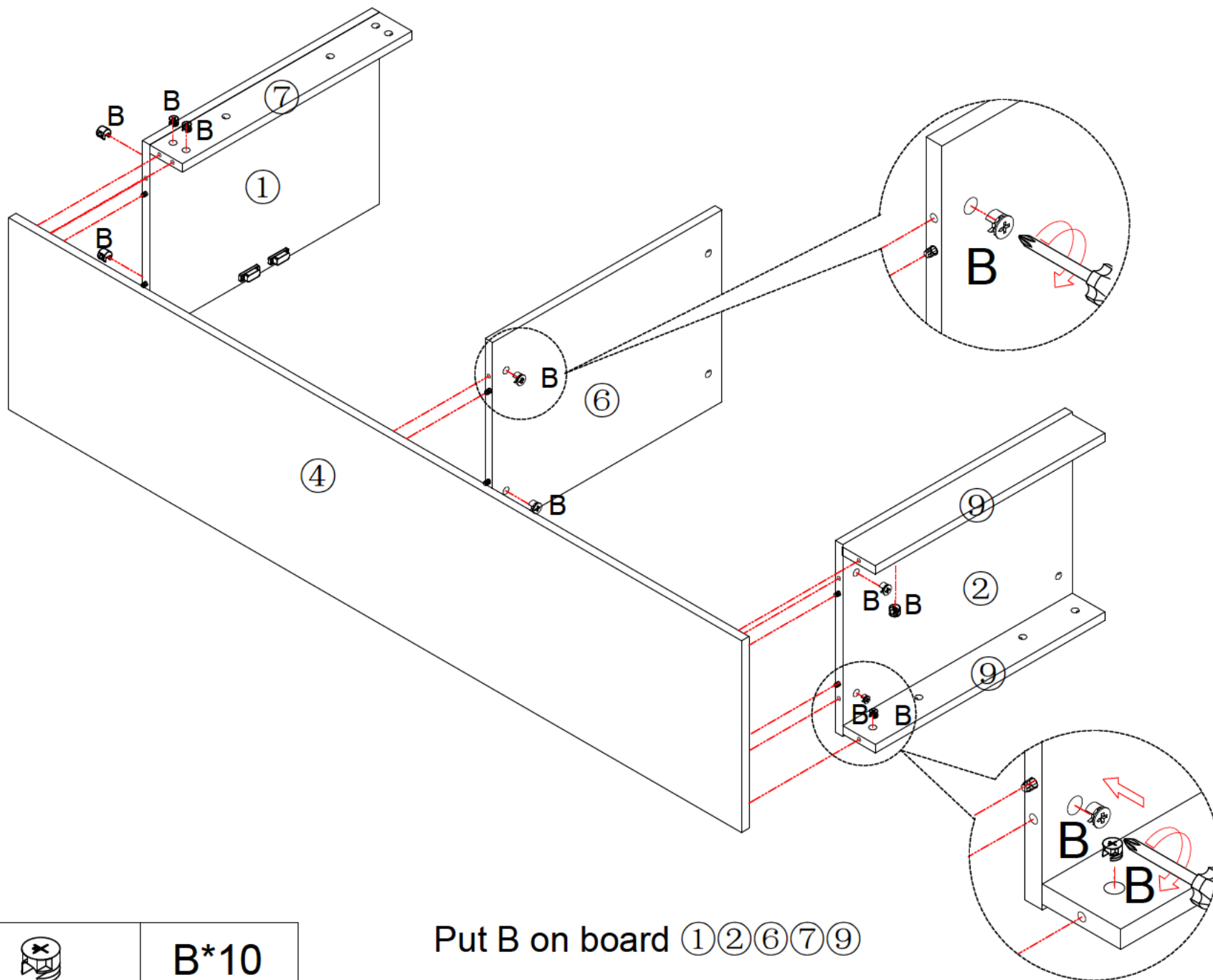


B*6

Put B on board 7 9

4

Make sure the arrow on the screw align to the hole on the side

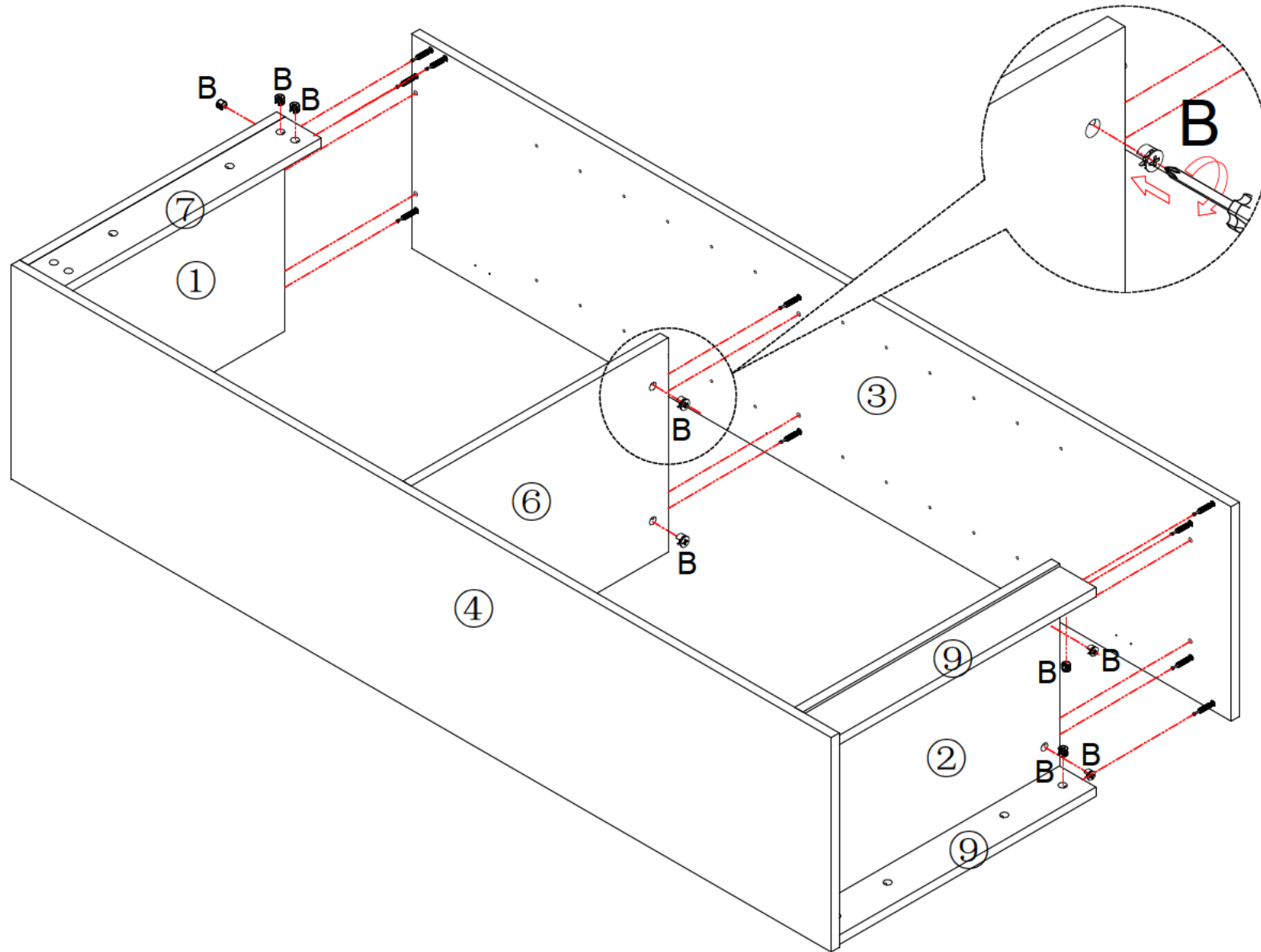


B*10

Put B on board ①②⑥⑦⑨

5

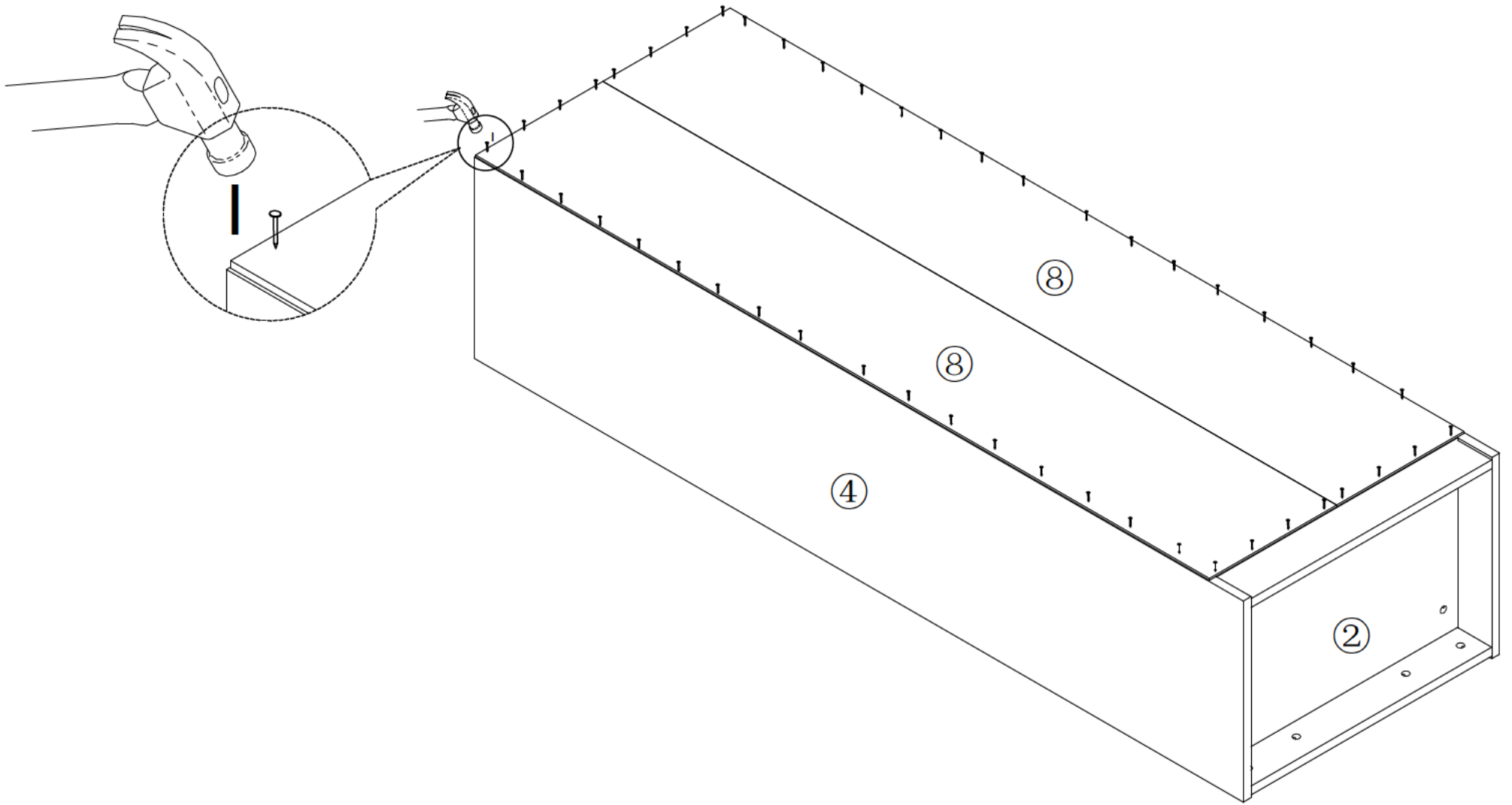
Make sure the arrow on the screw align to the hole on the side



B*10

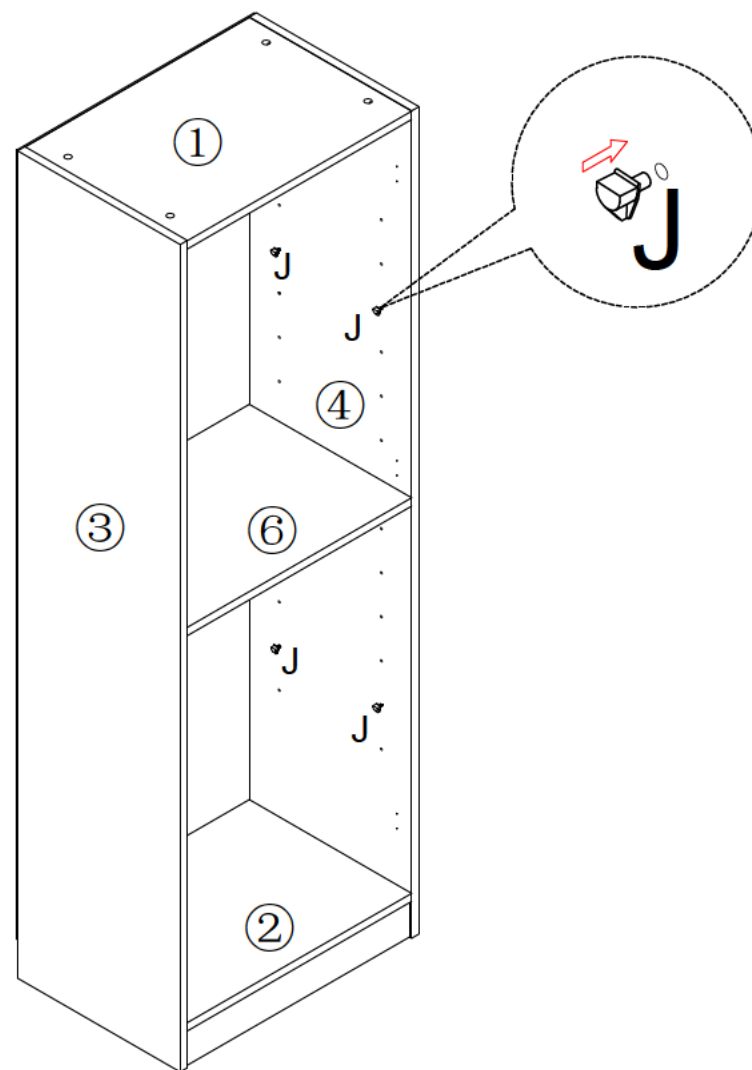
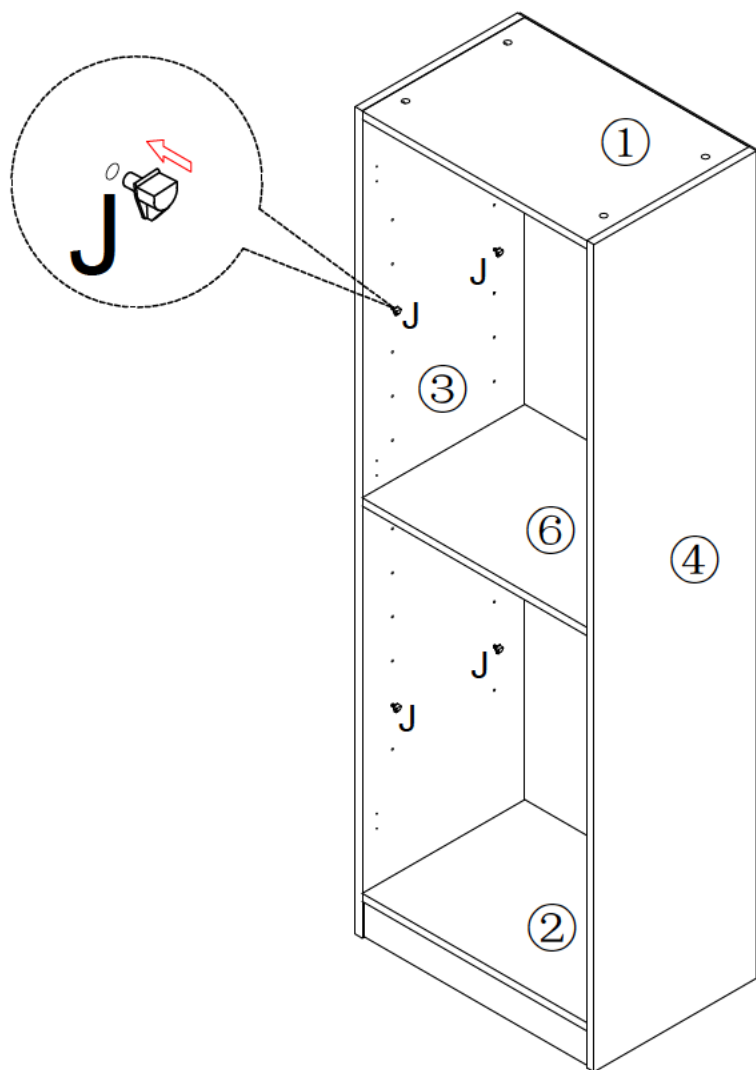
Put B on board ①②⑥⑦⑨

6



1*40

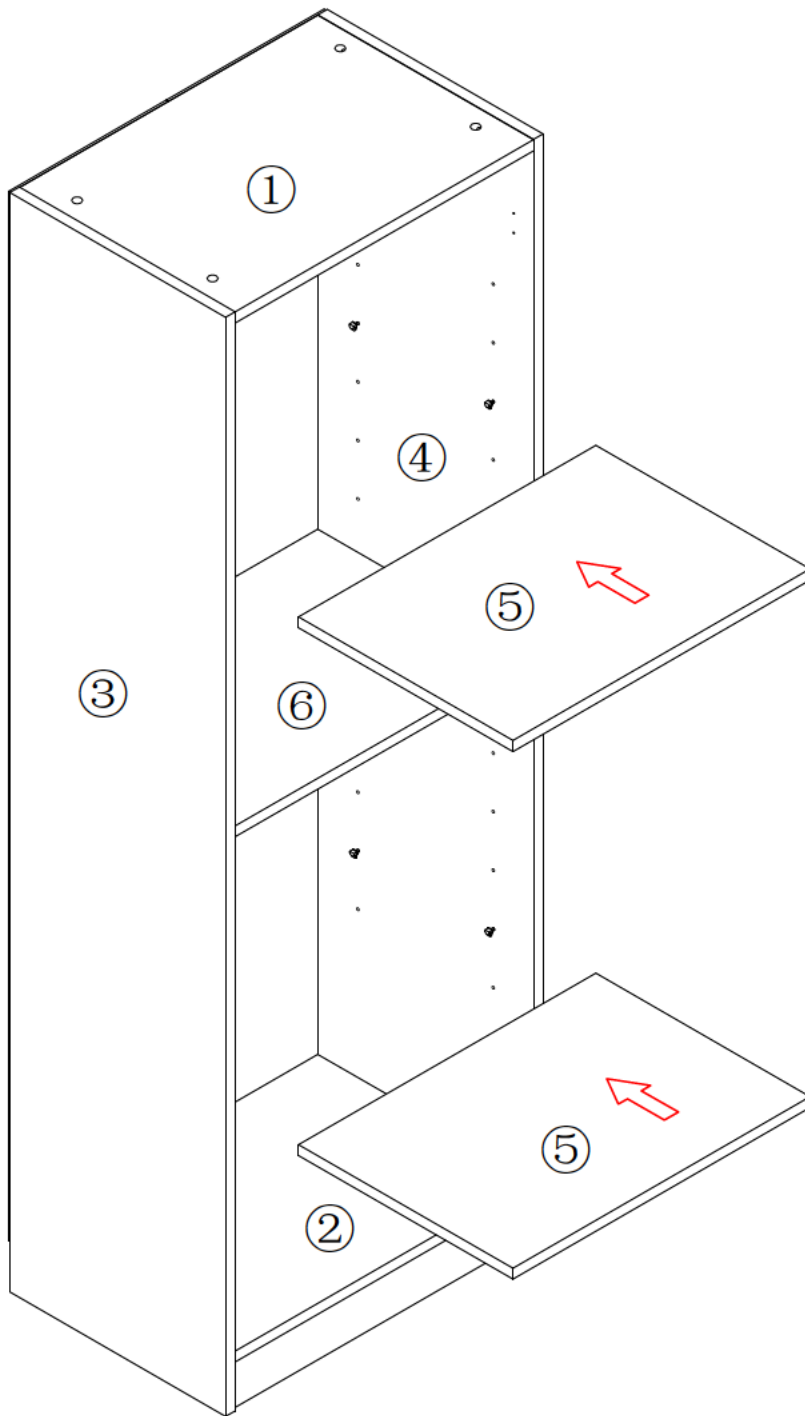
7



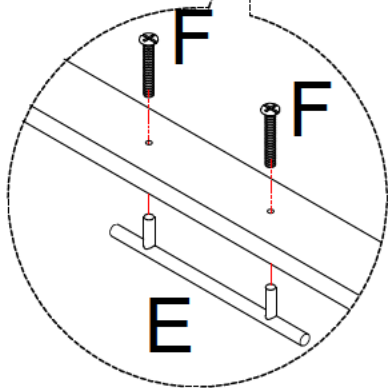
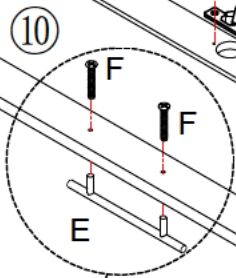
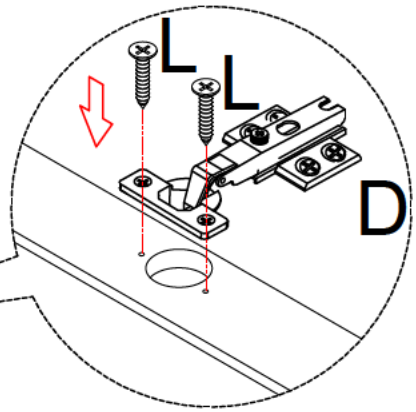
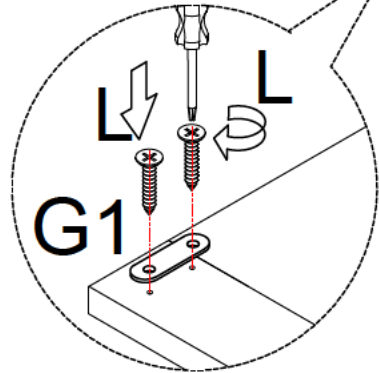
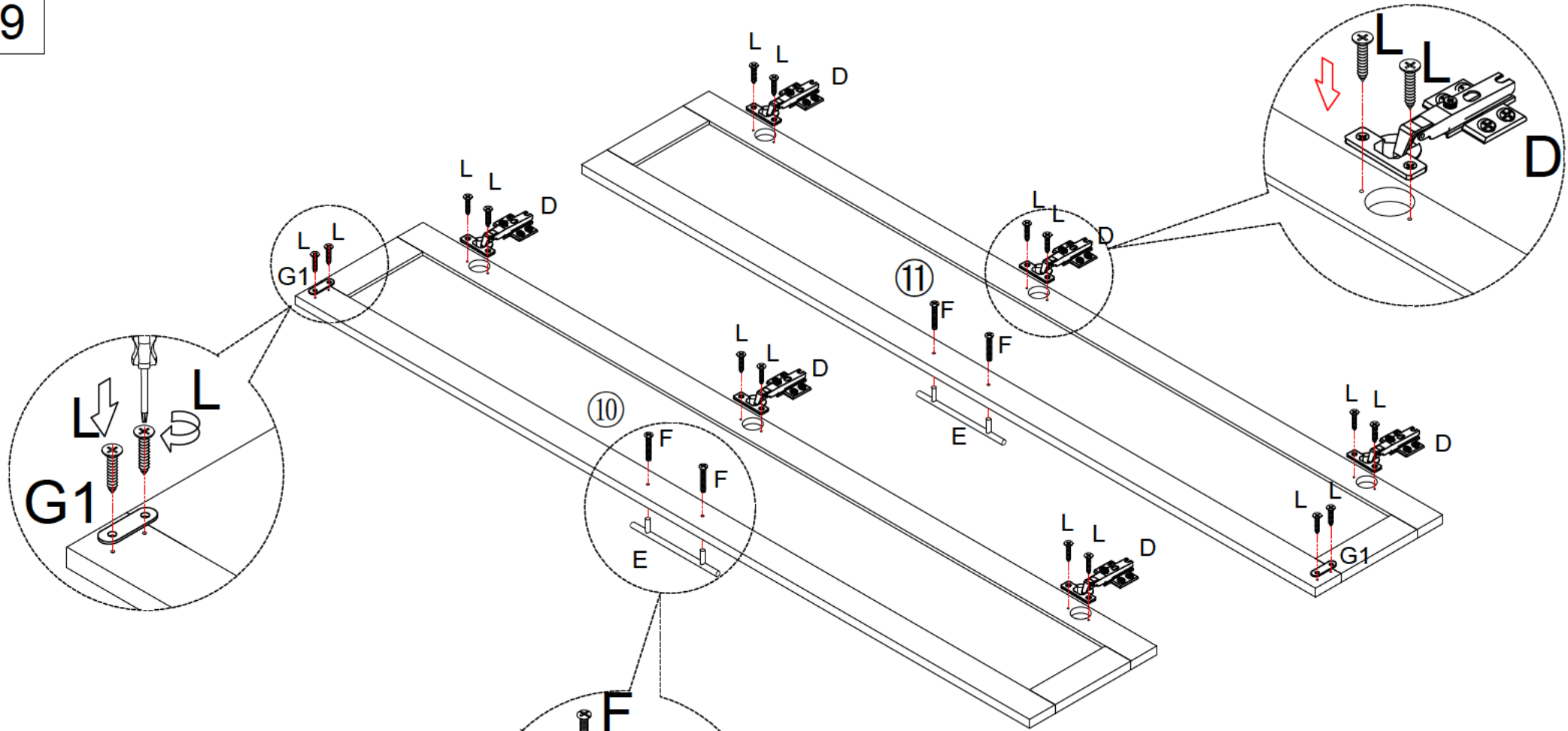
J*8


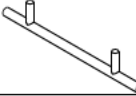


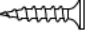
Put J on board ③④

8

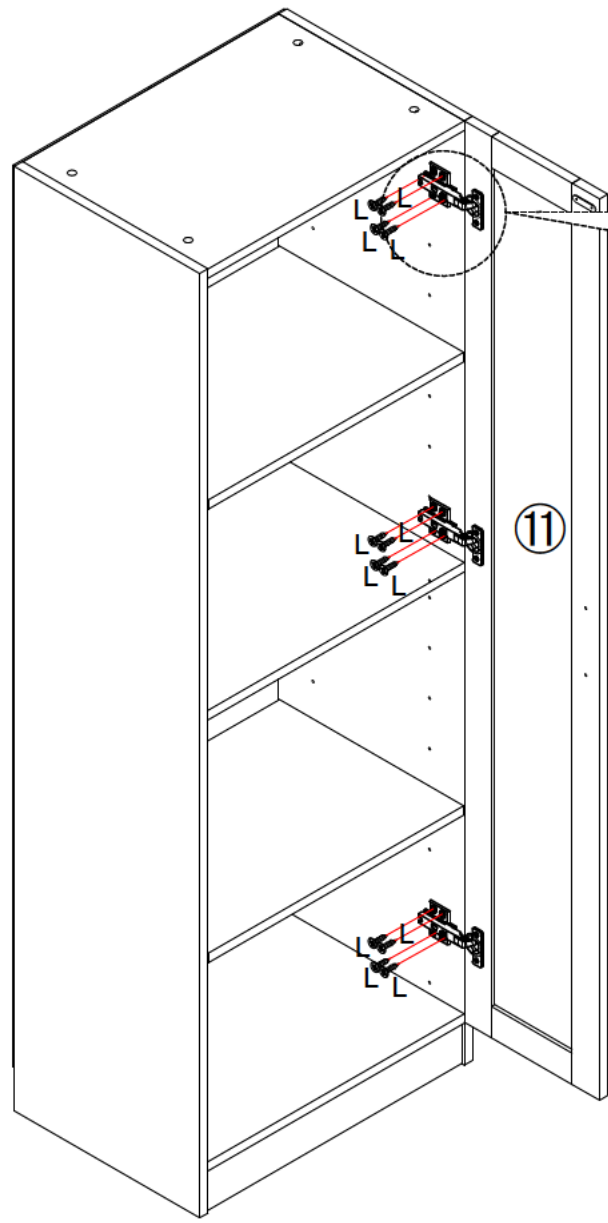


9

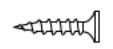
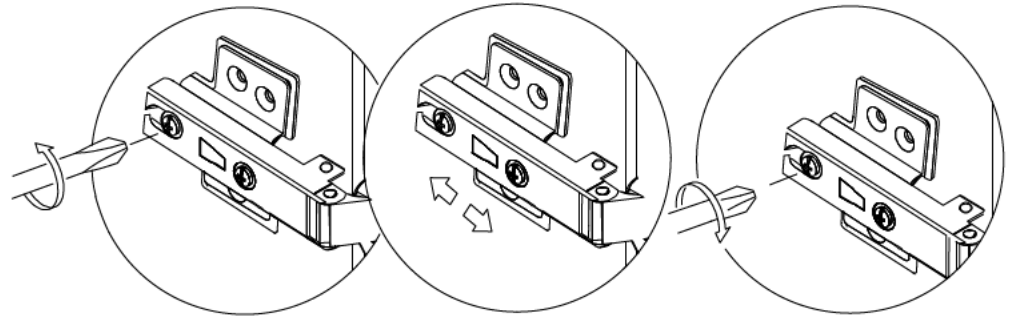
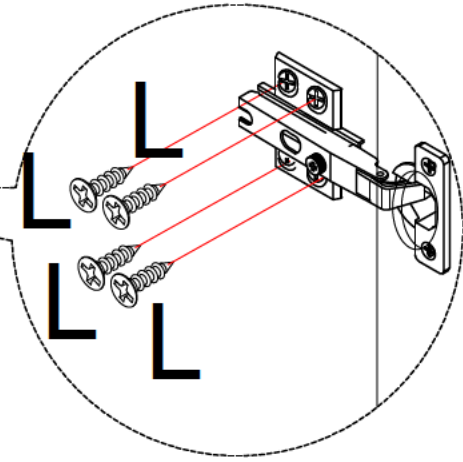


	D*6
	E*2
	F*4
	G1*2
	L*16

10

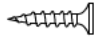
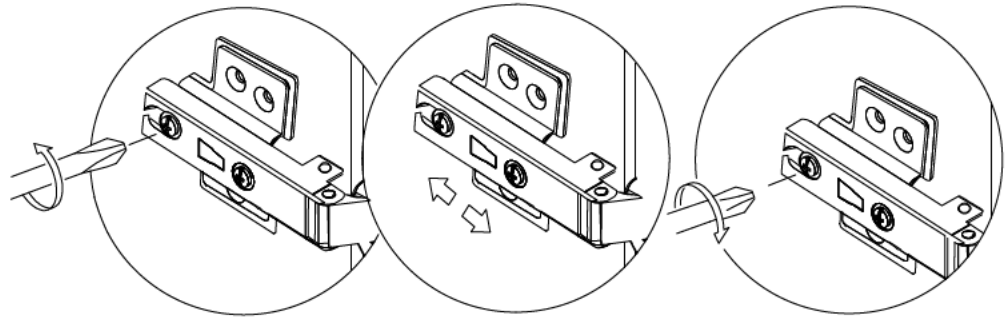
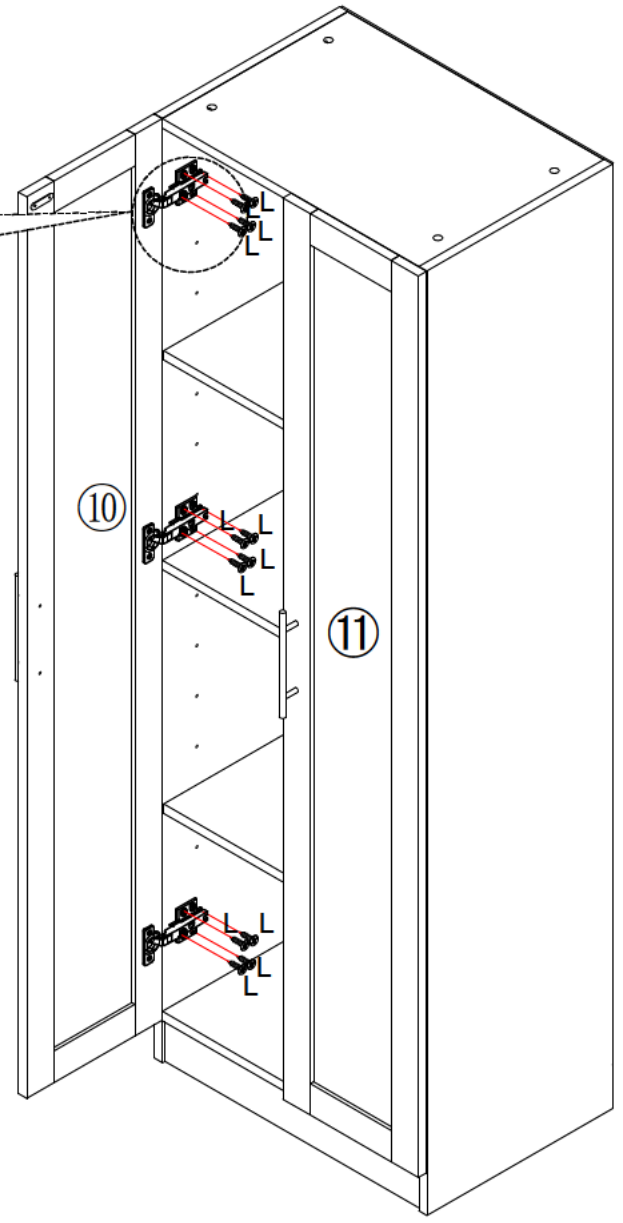
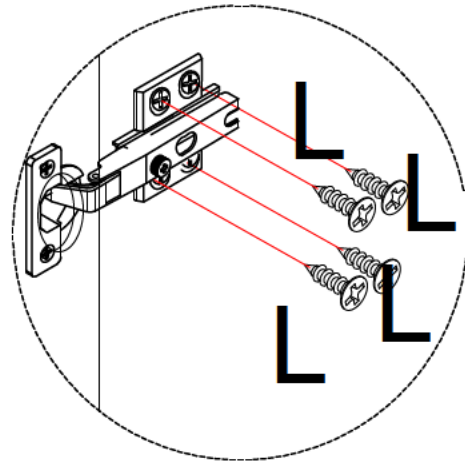


11



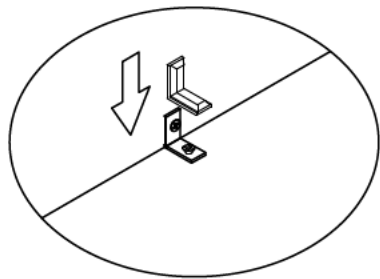
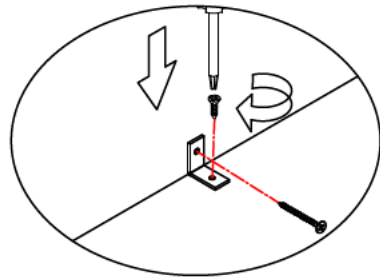
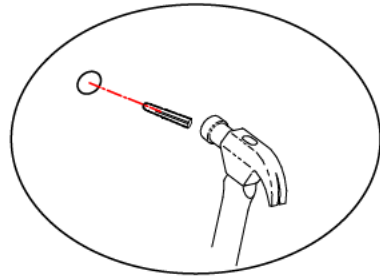
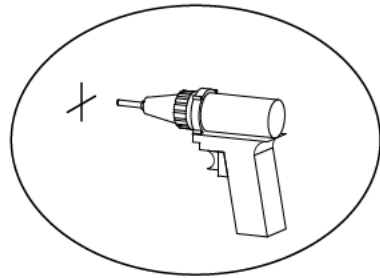
L*12

11

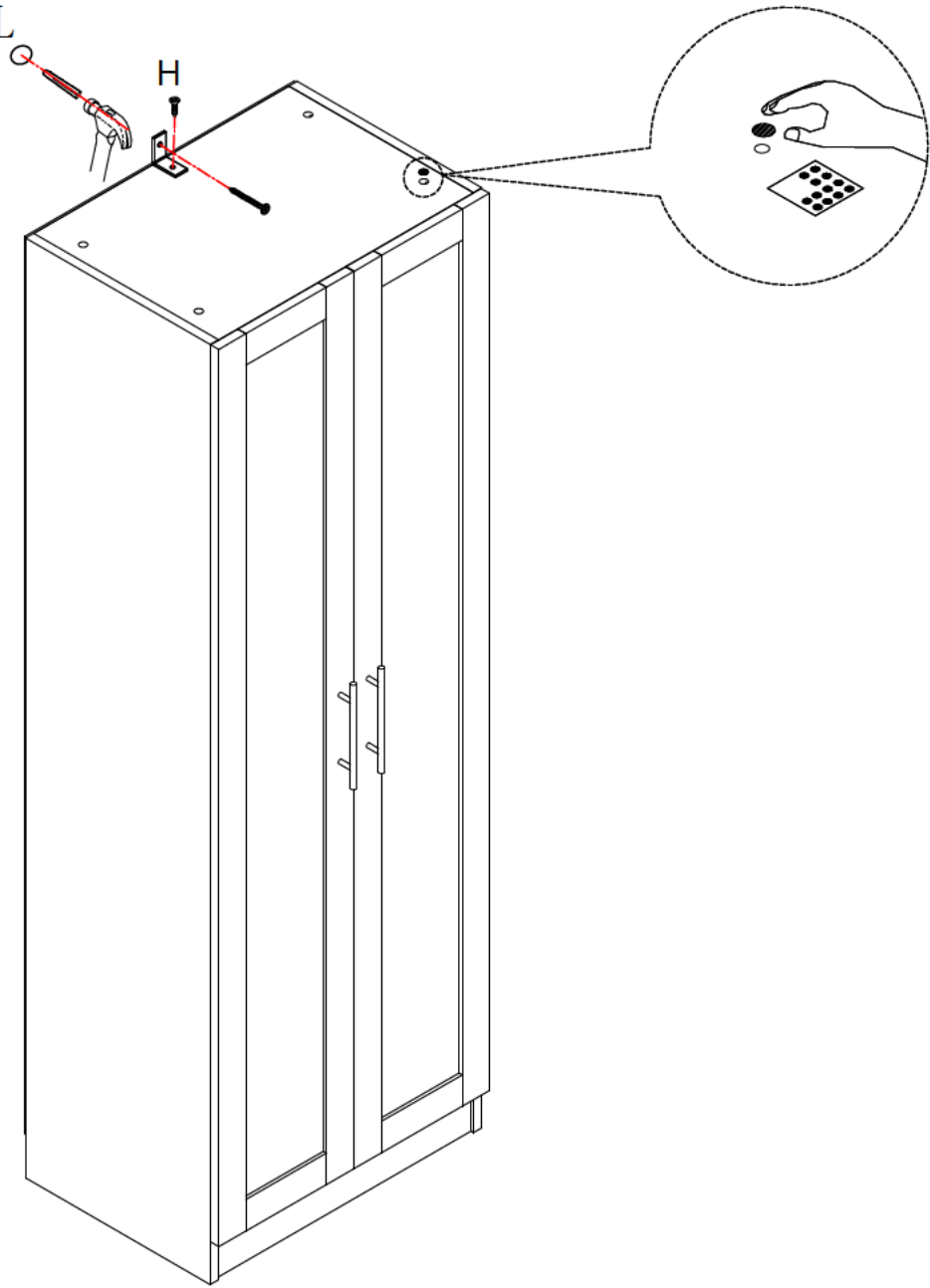



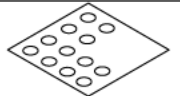
L*12

12



WALL



	H*1
	K*26

END