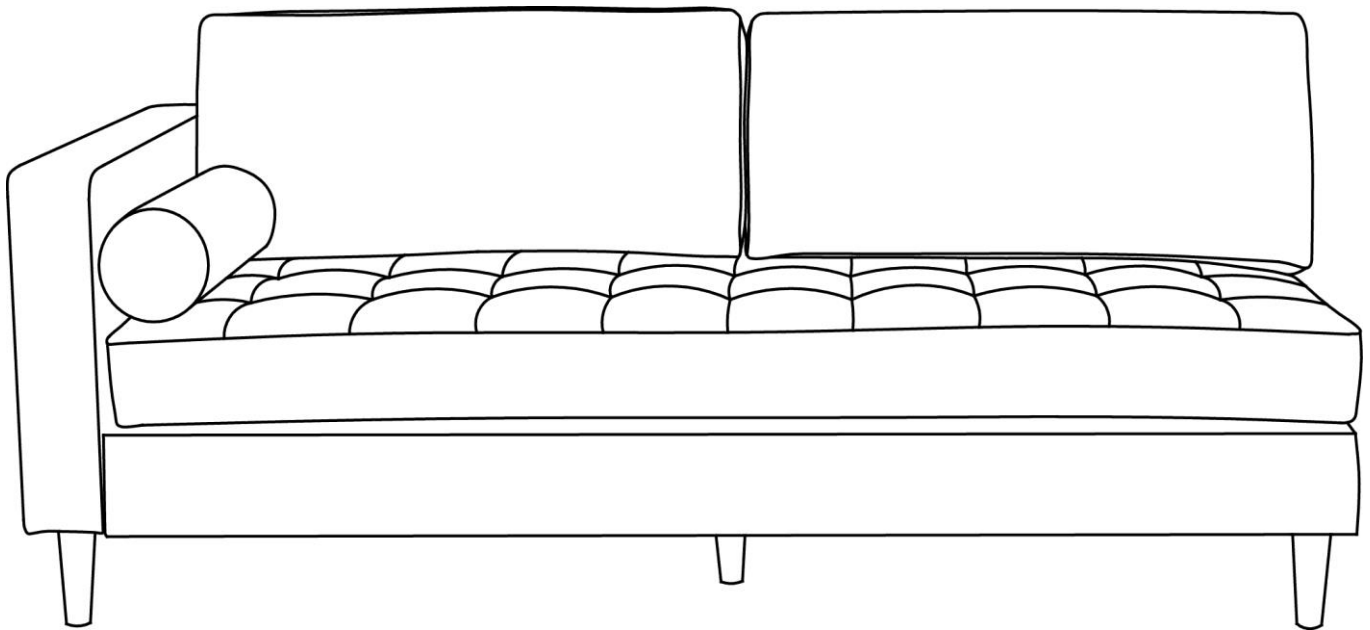


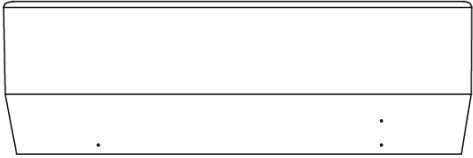
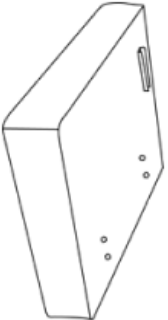

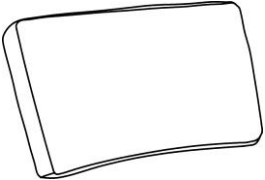
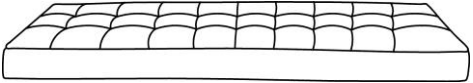
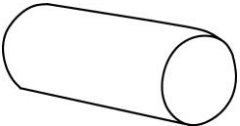

# Assembly Instructions

**Caution: You must read this before you proceed**






## Left 3 Seater



# Part List

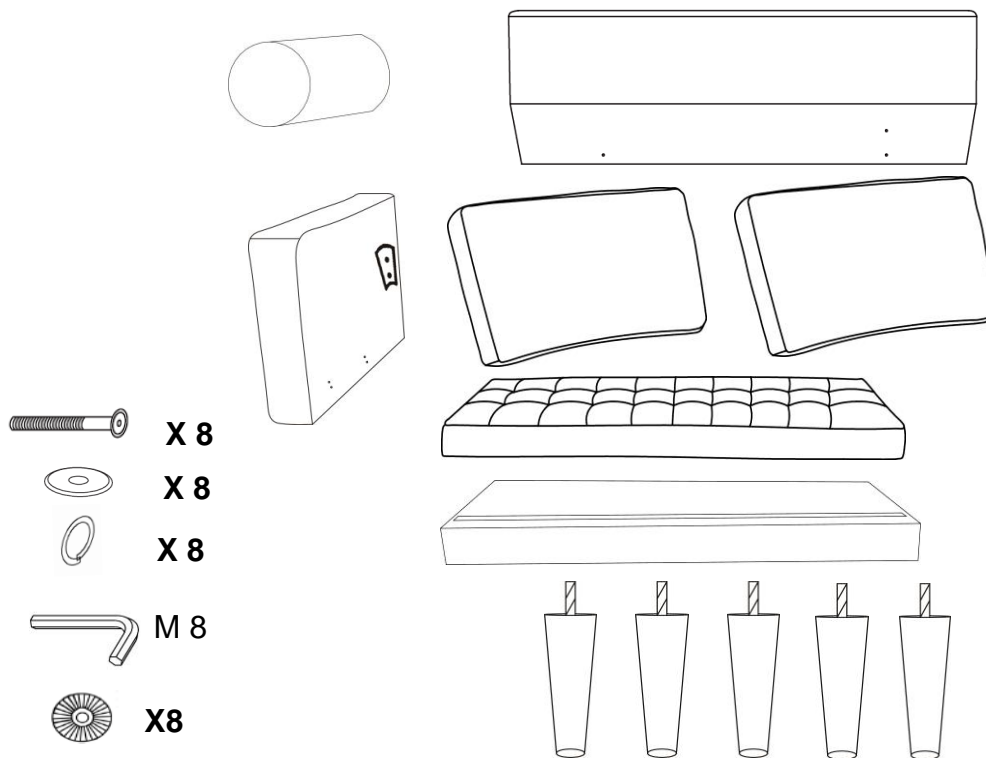
Label	Picture	Description	QTY
A		Backrest	1
B		Left Armrest	1
C		Seat	1
D		Back Cushion	2
E		Seat Cushion	1
F		Arm Pillow	1
G		Sofa Leg	5

# Hardware

Label	Picture	Description	QTY
①		Bolt (M8*70 MM)	8
②		Washer(M8)	8
③		Gasket	8
④		Allen Wrench(M8)	1
⑤		Spring Washer(M8)	8

# Assembly Preparation

Before Beginning Assembly:



- Read instructions, cover to cover-



- Have 2 adults on hand for assembly-



- Do not assemble on flooring or carpet-

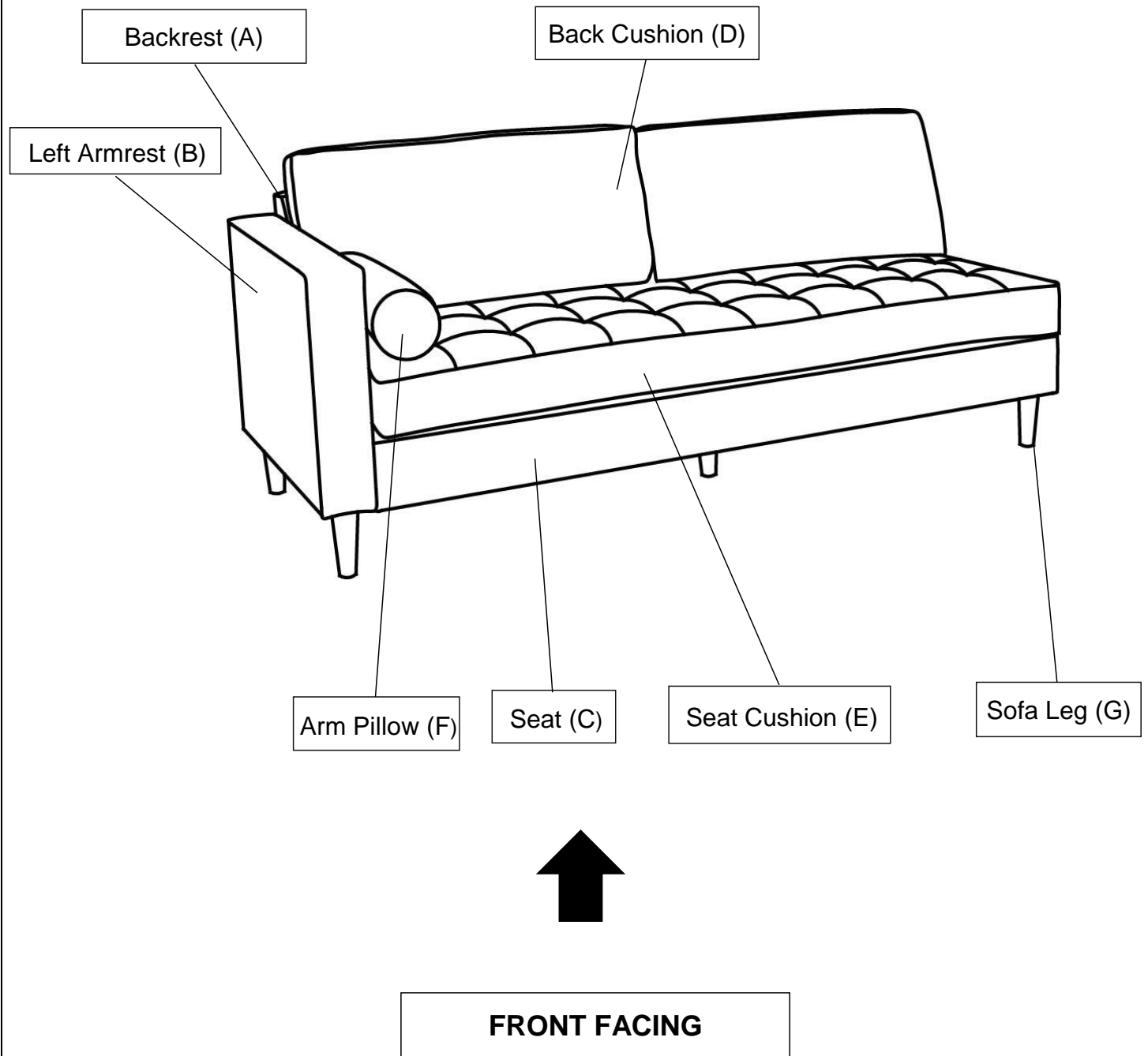


- Assemble on a clean non-marring surface (packing foam)-



- Save all packaging until finished-

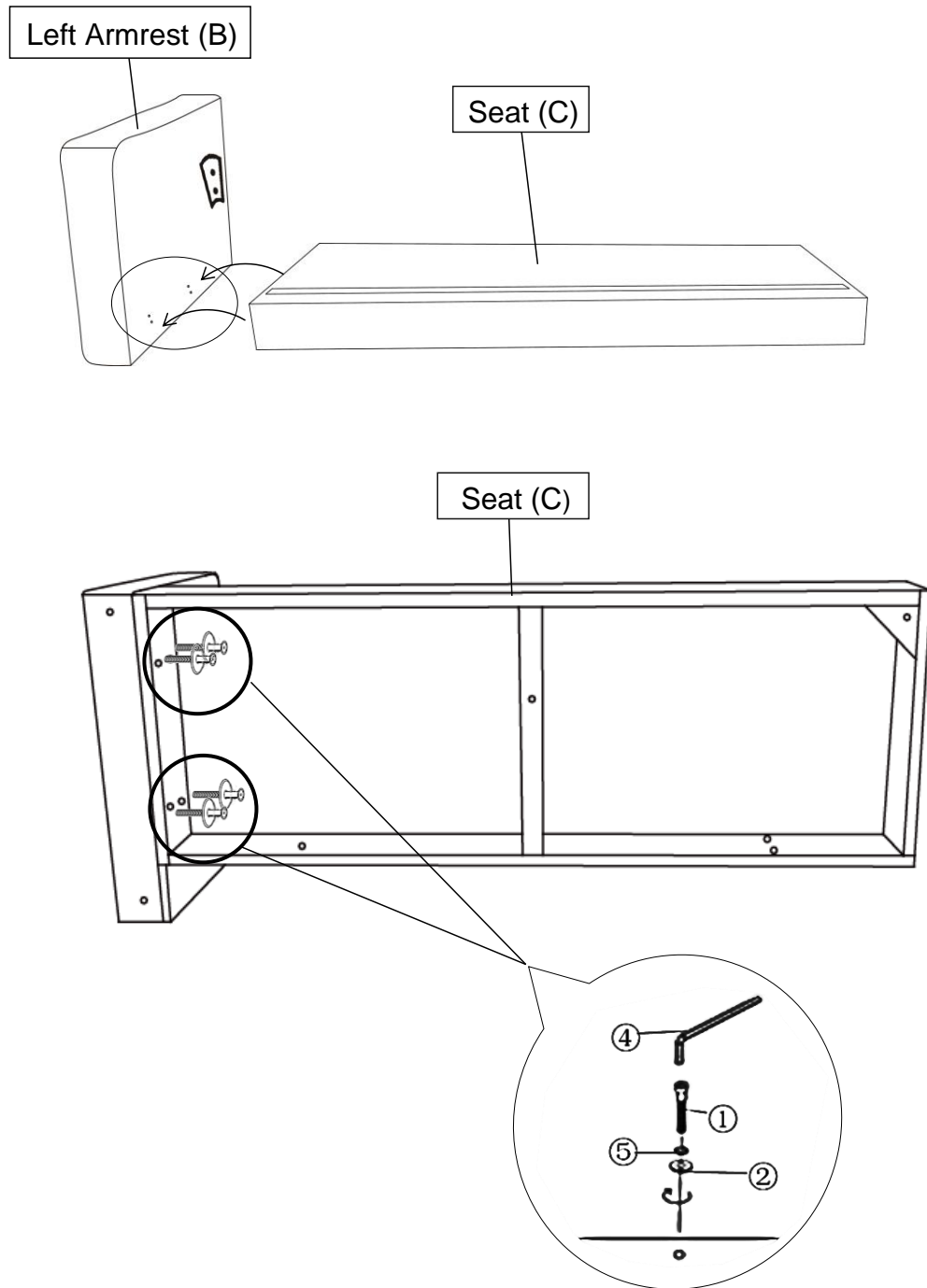
## Assembly Steps



This Sofa has multiple parts and may require up to 60 minutes to assemble. To give you an overview of the Sofa parts, the above picture is to help you put the various parts into perspective. Please read through the instructions below to familiarise yourself with the parts and steps before assembly.

**Note: It is recommended that you have an adult partner to assist during the entire assembly process.**

## Step 1



Open the carton and place all the parts on a clean, non-marring surface.

With the assistance of your partner, attach the Seat(C) to the Left Armrest(B) using the Bolts(①), Spring Washers(③), and Washers(②) with the Allen Wrench(④) as pictured above.

Assistance from an adult partner is needed for this assembly process.

**Tighten the Bolts fully in a sequential manner.**

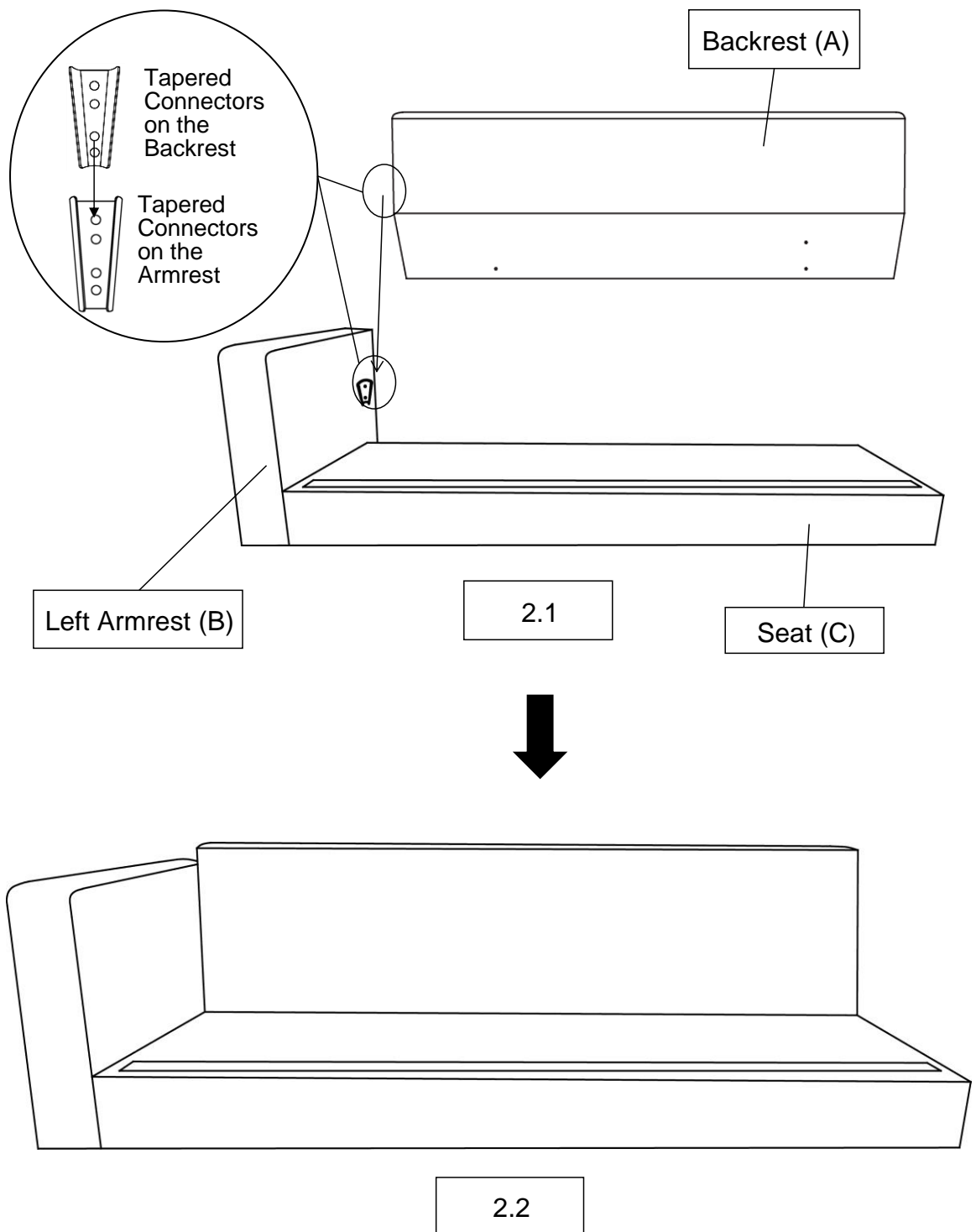
**DO NOT fully tighten a Bolt in one go and then move on to the next.**

**Rather, In a sequential manner, gradually tighten each Bolt until all Bolts are evenly secured.**

**This methodology will ensure maximum evenness once all Bolts are fully tightened.**

**Caution: Ensure that your fingers do not get caught or pinched in the assembly process.**

## Step 2



With the assistance from your adult partner:

2.1) Lift the Backrest(A) up, make sure the Backrest(A) is vertical and aligned to the Seat and the Armrests.

Align the Tapered Connectors on the Backrest(A) with those on the Left Armrest(B).

Your adult partner may need to push the Armrests in towards the Backrest(A) to allow for better alignment.

Slip and Slide the Backrest, in a gradual and balanced manner into the Tapered Connectors.

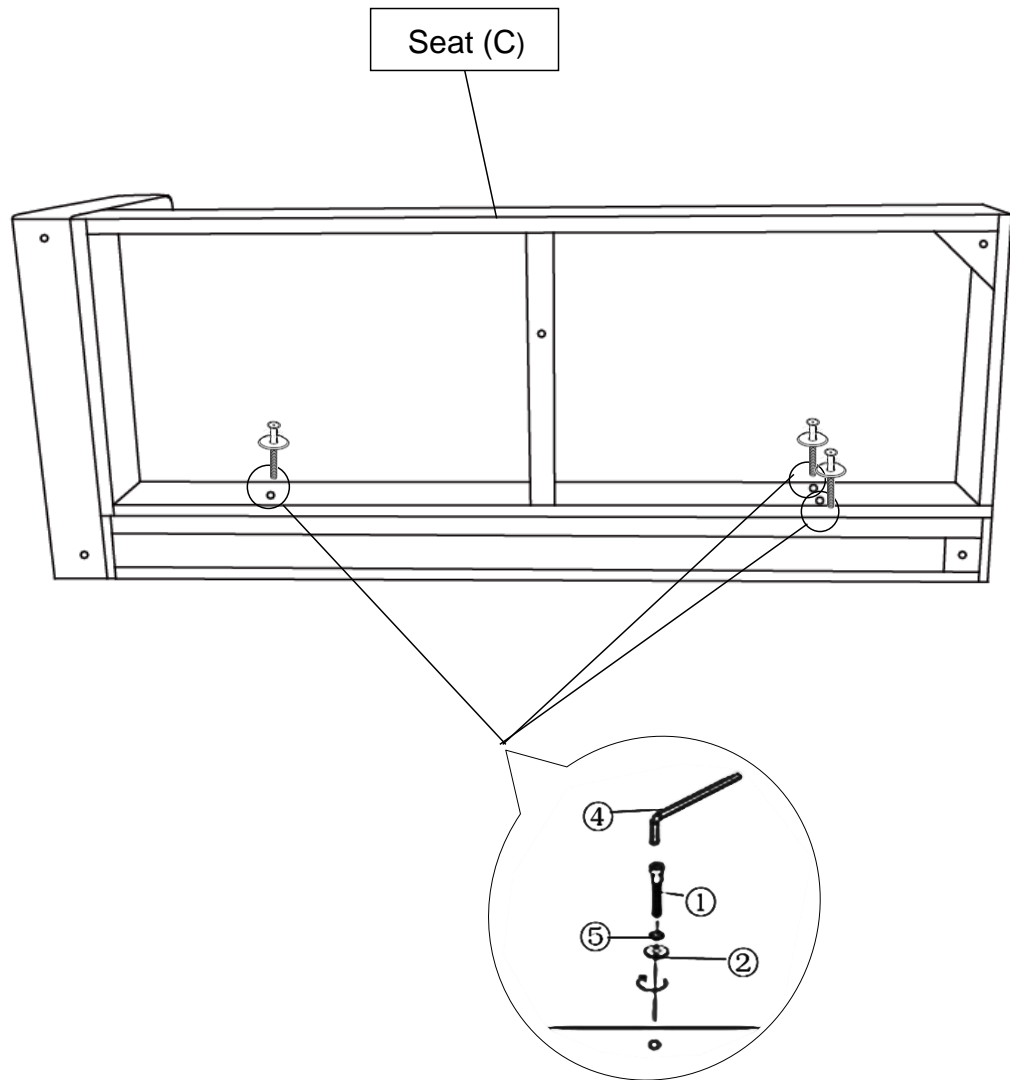
2.2) Push the Backrest(A) downwards until it is fully slotted and locked into position.

**Note: Make sure the Tapered Connectors on the Backrest(A) lock into the Tapered Connectors on the Left Armrest(B) .**

**Fully locked position :Check and assess that the base of the Backrest(A) and the Seat(C) are aligned and level.**

**Assistance from an adult partner is needed for this assembly process.**

## Step 3



Tilt and lay the Sofa on its Backrest(A) onto a flat surface.

Attach the Seat(C) to the Backrest(A) using the Bolts(①), Spring Washers(⑤), and Washers(②) with the Allen Wrench(④) as pictured above.

**Tighten the Bolts fully in a sequential manner.**

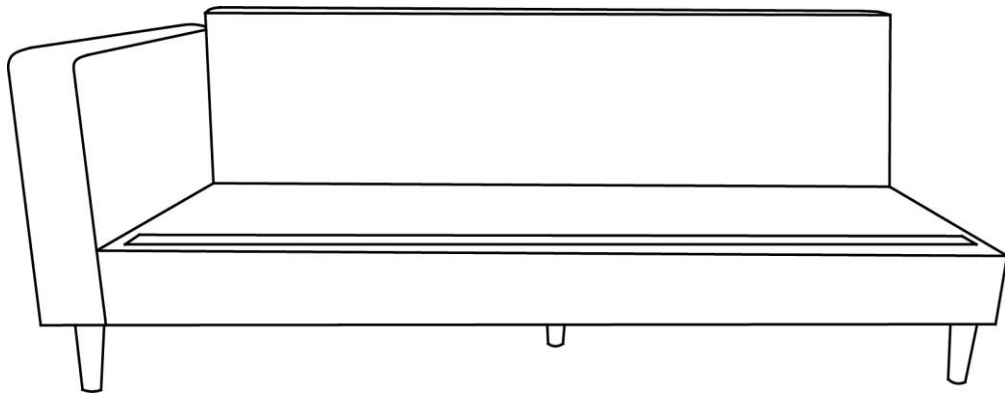
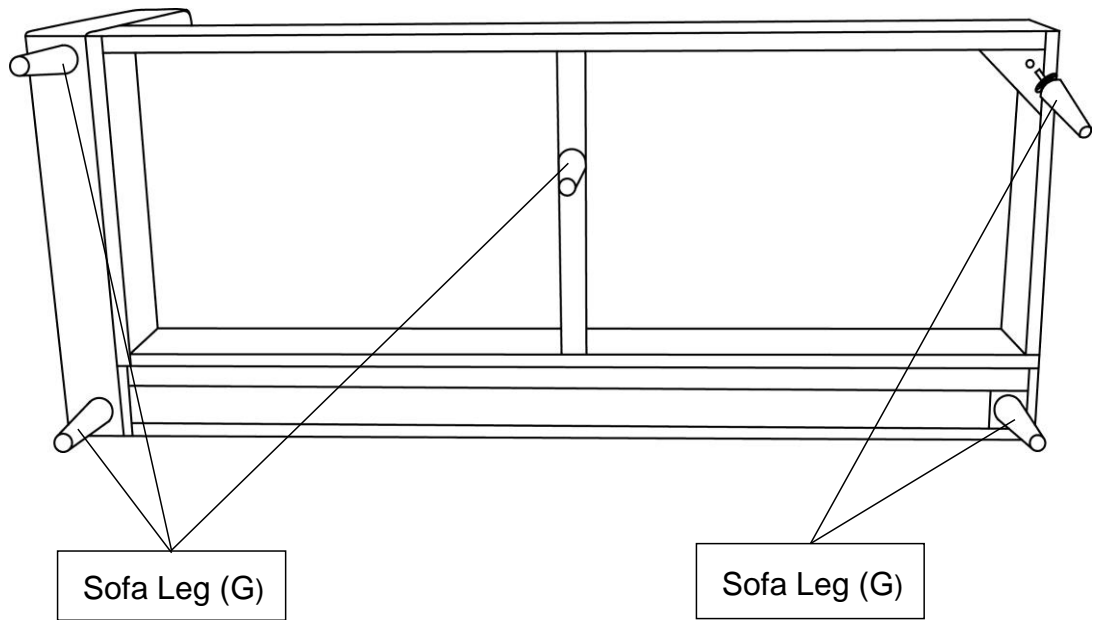
**DO NOT fully tighten a Bolt in one go and then move on to the next.**

**Rather, In a sequential manner, gradually tighten each Bolt until all Bolts are evenly secured.**

**This methodology will ensure maximum evenness once all Bolts are fully tightened.**

**Note: If you can not insert the Bolts into position, please go back to Step 2 to "push the Backrest downwards".**

## Step 4



Install one of the Sofa Legs(G) into the bottom of the Seat(C) by placing one Gasket(③) into the threaded stem.

Then insert the threaded stem into the threaded mounting position at the corner of the Sofa.

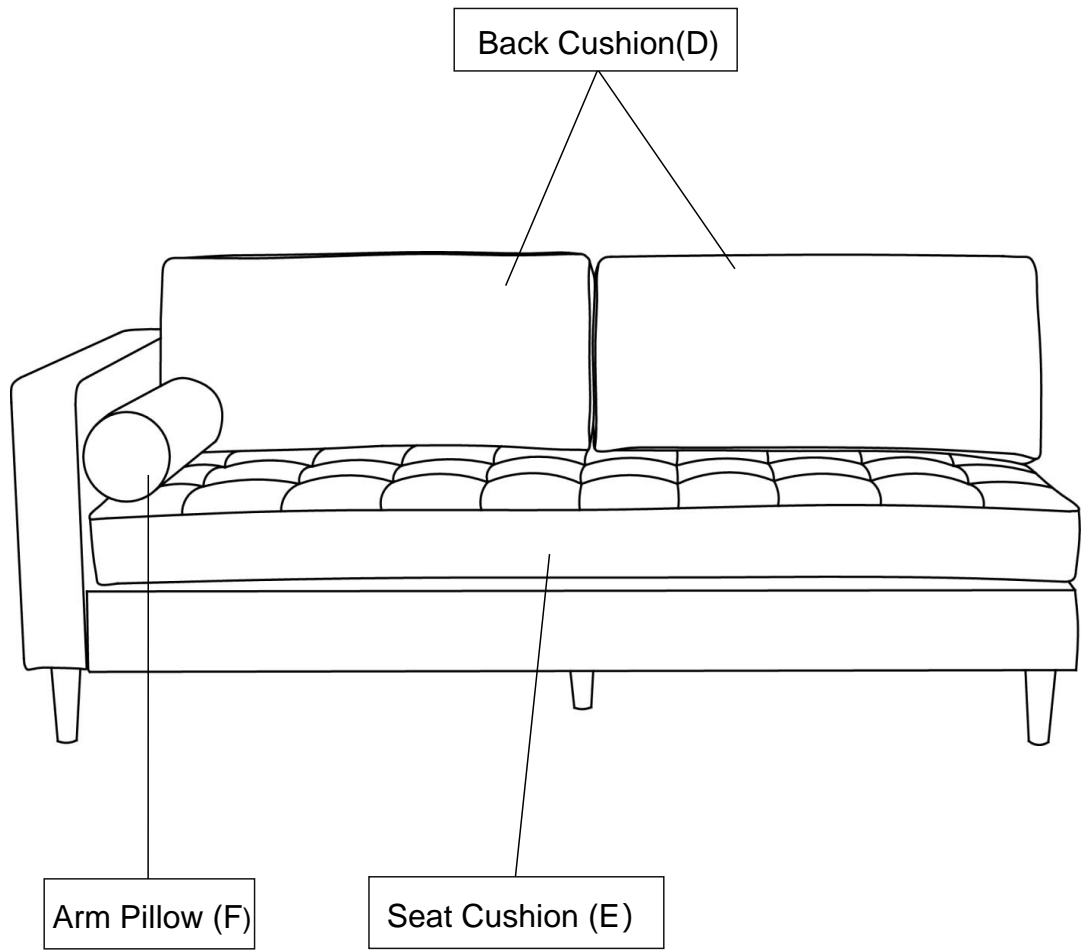
Tighten by turning the Leg clockwise until it is completely secure.

Repeat the same step to install the remaining four Sofa Legs.

**Note: The use of Gaskets is OPTIONAL and are especially useful to help alleviate slight wobbles. Some Legs may need more than one whilst some legs may not need any.**

**Please keep the Allen key in a safe place for future use. You may need to tighten the Bolts again with the Allen key If the product were to loosen during use.**

## Step 5



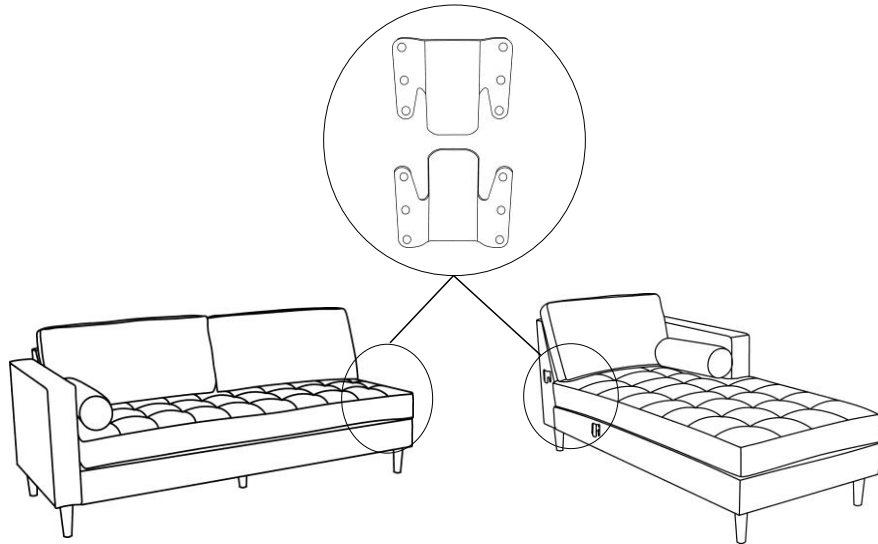
Place the sofa in an upright position, then place the Back Cushion(D), the Seat Cushions(E) and the Arm Pillow(F) onto the Sofa.

Your Sofa is ready for use.

**This Sofa can only be used on a flat, level surface.**

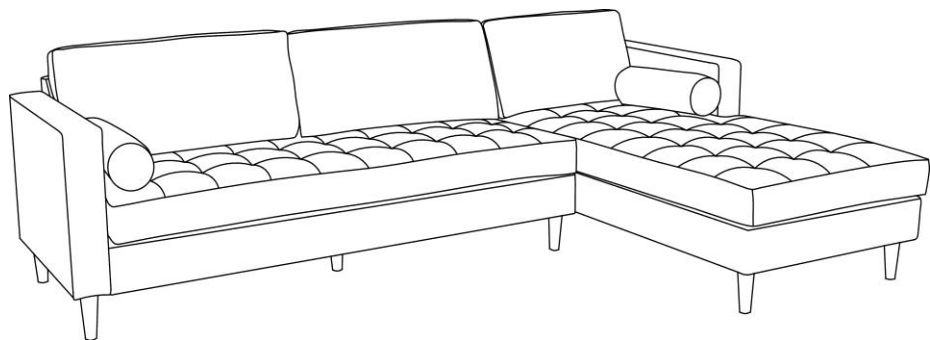
## Additional Steps

### Step 1



Connect the Sofas by intersecting the metal brackets.  
Make sure all parts are connected and securely locked into position.

### Step 2



Your Sofa Set is ready for use.  
**This Sofa Set can only be used on a flat level surface.**

## Care & Maintenance



- Furniture may scratch floors. We recommend using furniture pads to protect your floors.



- Do not put hot items directly on furniture surface.



- Do not clean furniture with harsh cleansers or polish.



- Do not place furniture under direct sunlight.



- Do not place furniture near heating or cooling vents.



- Do not write on furniture without a padded barrier to protect the surface.



- Do not place furniture outside . For indoor use only.



- Not for commercial use. For residential use only.



- Stains may be removed with mild soap solution and damp cloth.



- Children should not climb or jump on the furniture.



- Dust and pick-up spills using a clean, non-colored, lint-free cloth.