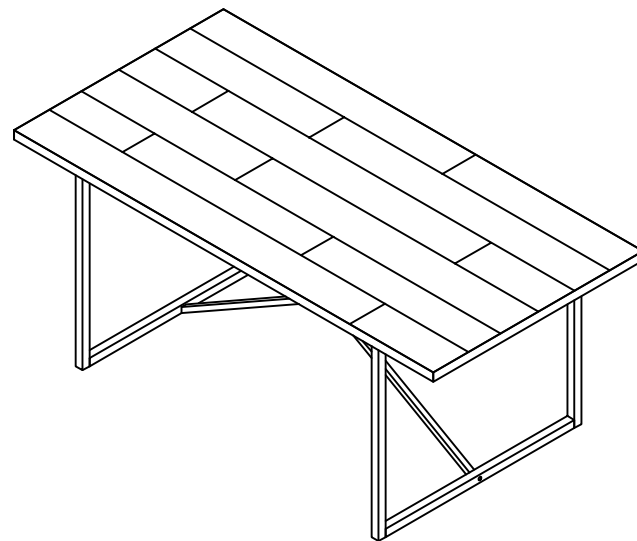


ASSEMBLY INSTRUCTIONS.




Dining Table






THANK YOU FOR YOUR PURCHASE!

PARTS AND HARDWARE.

PARTS LIST

NO.	DESCRIPTION	IMAGE	Q'TY
P1	TABLE TOP		1
P2	LEGS FRAMES		2
P3	STRETCHER FRAME		1

HARDWARE LIST

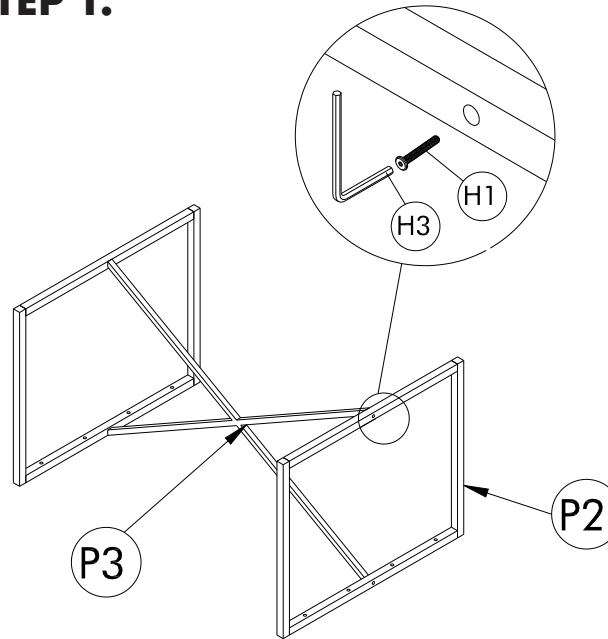
NO.	DESCRIPTION	IMAGE	Q'TY
H1	BOLT M8x40		4
H2	BOLT M8x50		8
H3	ALLEN KEY M4		1

NOTES.

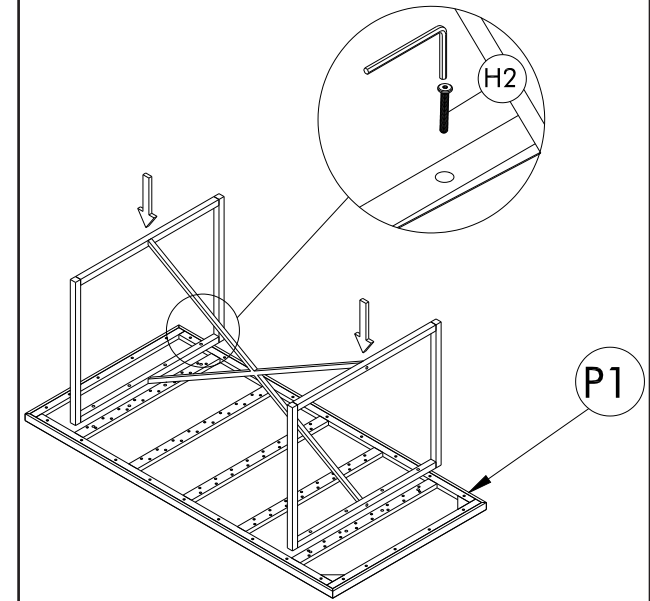
Thank you for purchasing this quality product! Be sure to check all packing material carefully for small part that may have come loose inside the carton during shipping.

CAUTION: The item is heavy, assembly should be performed by two people.

STEP 1.



STEP 2.



STEP 3.

