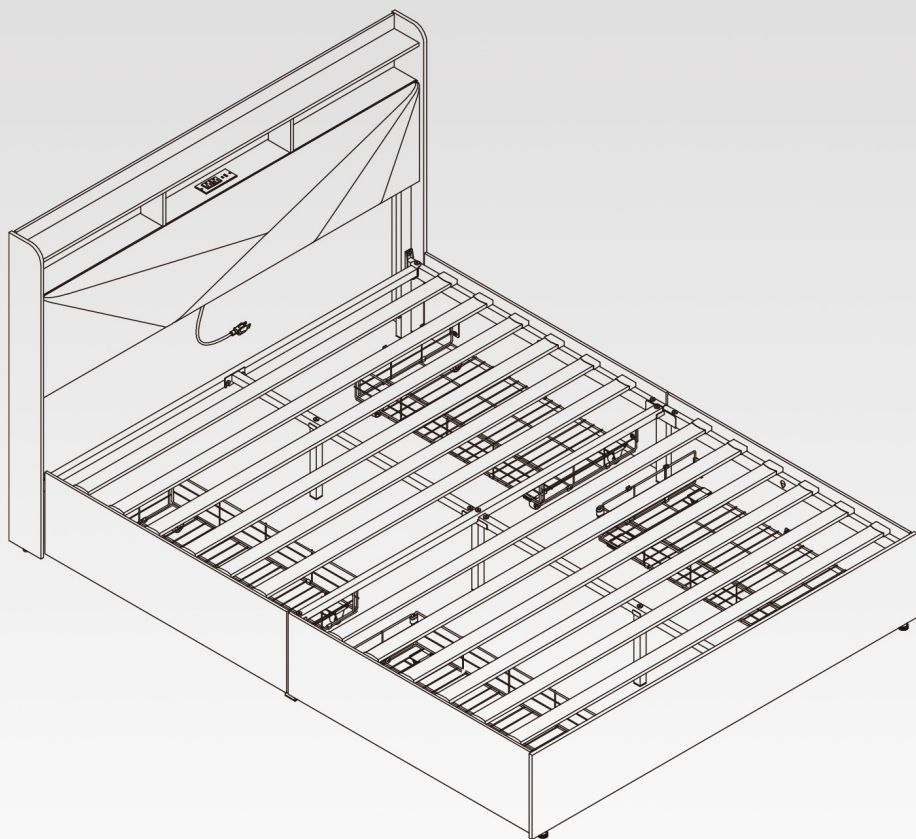


BM02FULL&QUEEN

ASSEMBLY & INSTRUCTION MANUAL



CONTENTS

01

ENGLISH PRODUCT MANUAL

1. PRECAUTIONS INTRODUCTION	Pg 01
2. PRODUCT INFORMATION	Pg 01
3. TECHNICAL EXPLODED VIEW DIAGRAM	Pg 02
4. ASSEMBLY PARTS AND TOOL	Pg 03
5. ASSEMBLY INSTRUCTIONS	Pg 06
6. LIMITED WARRANTY	Pg 29

02

MANUAL DE PRODUCTO EN ESPAÑOL

1. INTRODUCCIÓN DE PRECAUCIONES	Pg 31
2. INFORMACIÓN DEL PRODUCTO	Pg 31
3. DIAGRAMA TÉCNICO EN VISTA EXPLOSIVA	Pg 32
4. PIEZAS Y HERRAMIENTAS DE MONTAJE	Pg 33
5. INSTRUCCIONES DE MONTAJE	Pg 36
6. GARANTÍA LIMITADA	Pg 59

PRECAUTIONS INTRODUCTION

Thank you for purchasing our products. Please read the instruction carefully before installation and keep it in a safe place for future reference.

If you need any assistance or support, please feel free to contact our customer support team.

1. The package contains many components and accessories. Each component and accessory is labeled with a letter or a number, check carefully before using any of them. Keep them away from children to prevent accidents

2. Please install the product on a clean and soft underlay (such as carpet or cardboard) to avoid scratching or damaging the surface of the product.

3. The main components of the product are relatively heavy. Please pay attention to safety during installation.

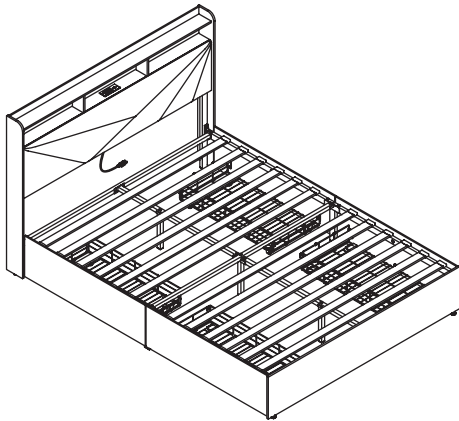
4. The product is not stable during installation. Please do not move it randomly before it is completely installed.

5. If you have any questions during installation, please contact the customer service promptly.

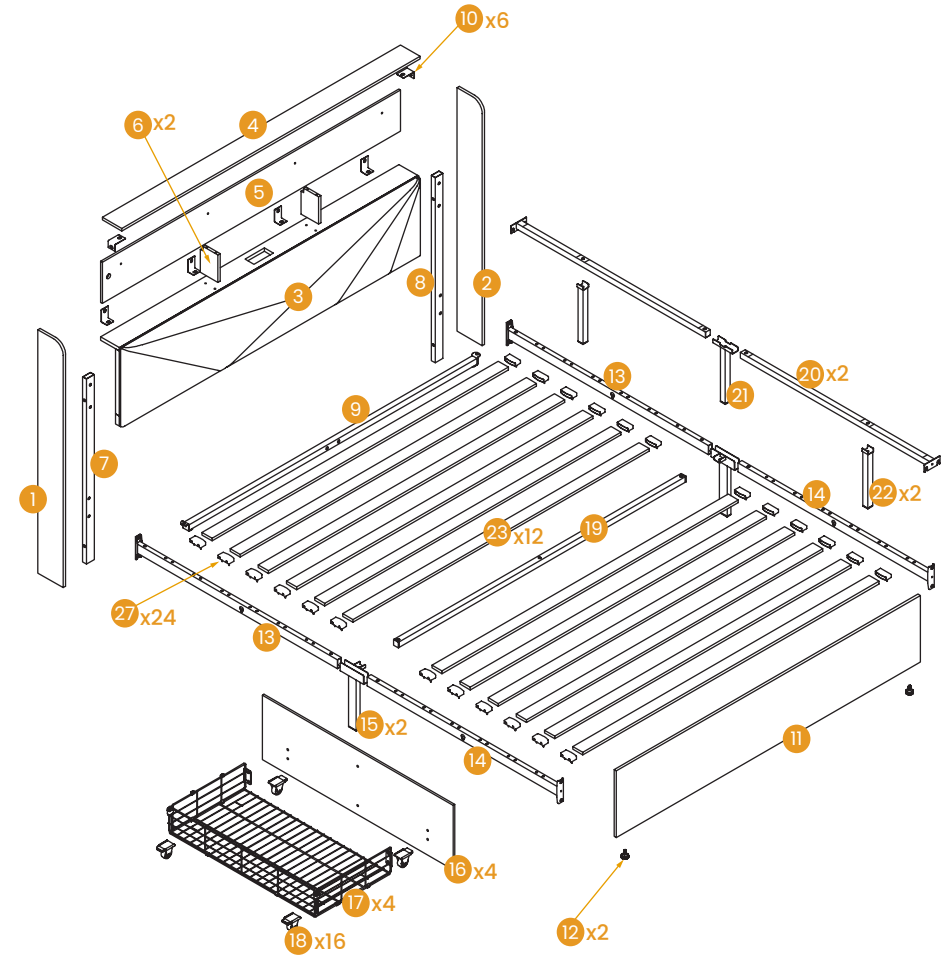
PLEASE BE SURE TO FOLLOW THE INSTALLATION STEPS IN THE MANUAL TO AVOID UNNECESSARY LOSSES CAUSED BY IMPROPER INSTALLATION.

PRODUCT INFORMATION

WEIGHT CAPACITY FOR PRODUCT: 1100LBS (≈499KG)



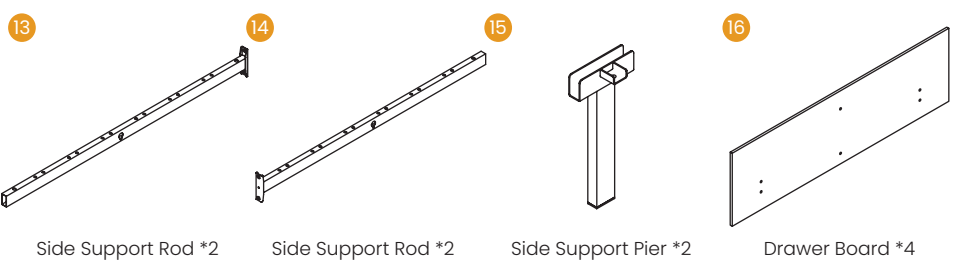
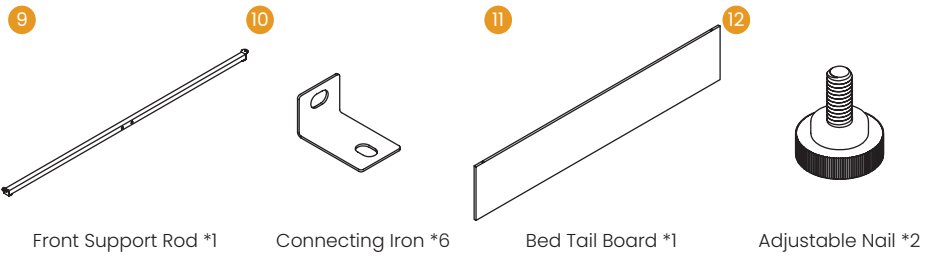
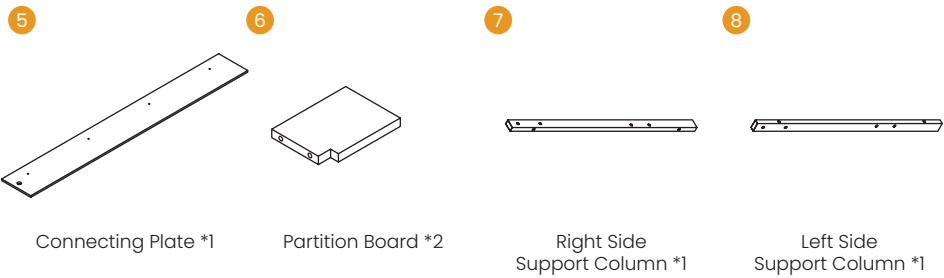
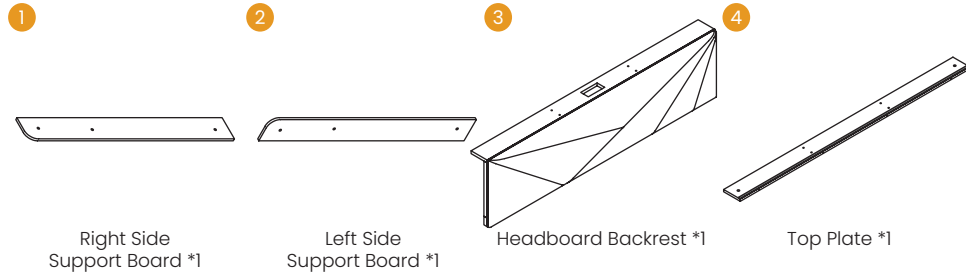
TECHNICAL EXPLODED VIEW DIAGRAM



ASSEMBLY PARTS AND TOOL

PLEASE MAKE SURE ALL THE PARTS ARE INCLUDED.

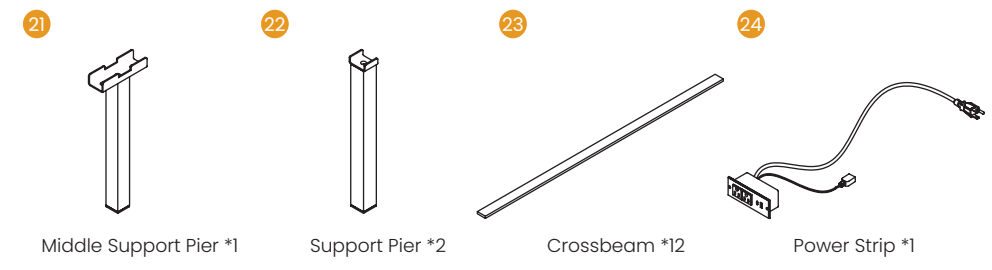
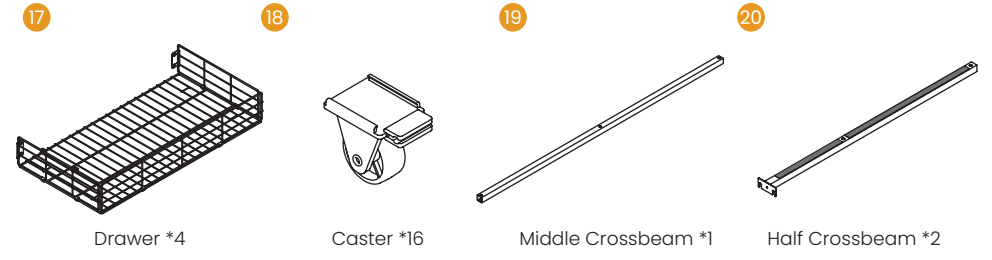
MISSING PARTS?
malolservice@hotmail.com



ASSEMBLY PARTS AND TOOL

PLEASE MAKE SURE ALL THE PARTS ARE INCLUDED.

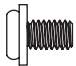
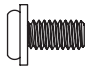





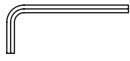



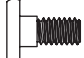


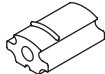
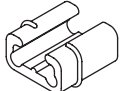
MISSING PARTS?
malolservice@hotmail.com




ASSEMBLY PARTS AND TOOL


PLEASE MAKE SURE ALL THE PARTS ARE INCLUDED.

MISSING PARTS?
maloservice@hotmail.com

A	B	C	D
			
Bolts 5/16" x 13mm *5 (Include 1pcs as Spare)	Bolts 5/16" x 16mm *24 (Include 2pcs as Spare)	Bolts 5/16" x 40mm *12 (Include 2pcs as Spare)	Bolts 5/16" x 55mm *11 (Include 2pcs as Spare)
E	F	G	H
			
Screws M5 x 35mm *10 (Include 2pcs as Spare)	Dowel *5 (Include 1pcs as Spare)	4mm Wrench *1	3mm Wrench *1
J	K	L	M
			
Screws M3.5 x 13mm *3 (Include 1pcs as Spare)	Screwdriver *1	Bolts 1/4" x 11mm *22 (Include 2pcs as Spare)	Bolts 1/4" x 16mm *5 (Include 1pcs as Spare)
N	P	Q	R
			
Flat Washer *5 (Include 1pcs as Spare)	Drilled Parts *5 (Include 1pcs as Spare)	Buckle *10 (Include 2pcs as Spare)	Round Iron Tube *10 (Include 2pcs as Spare)

⚠ BEFORE YOU GET STARTED, A FEW POINTERS:

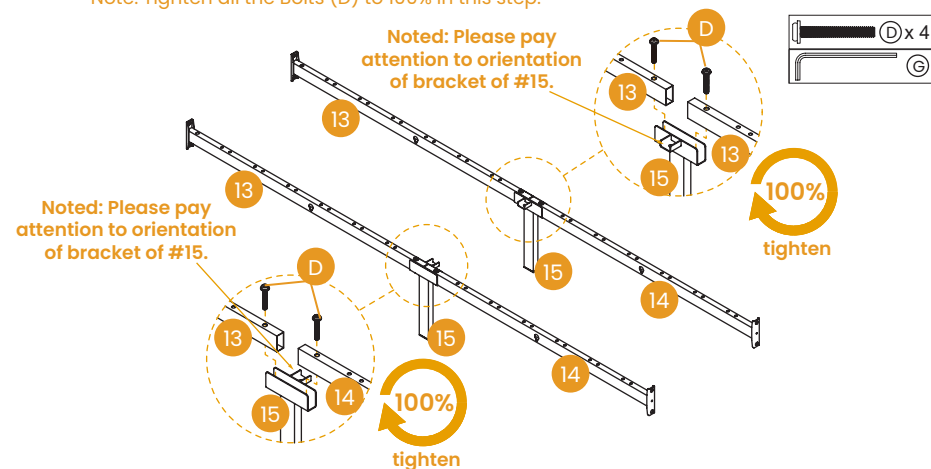
 Having a friend to help makes assembly extra-easy.

 Please use the included wrench instead of an **ELECTRIC HAND DRILL** in case of damage to the product.

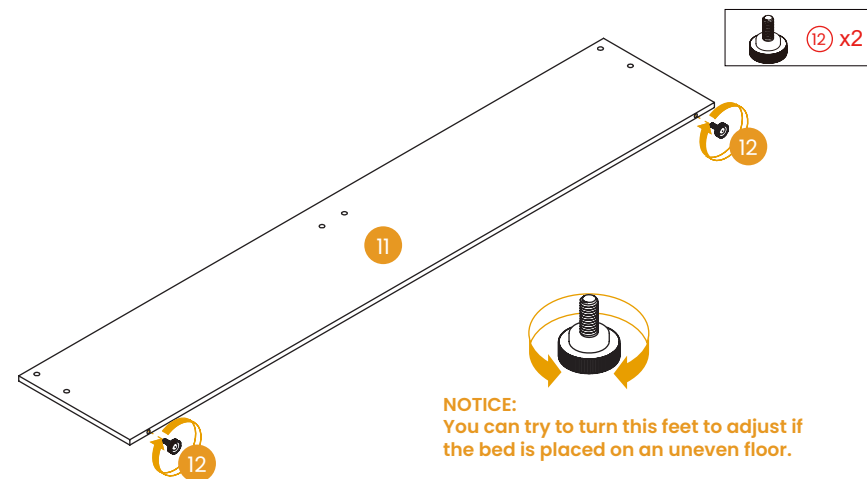
ASSEMBLY INSTRUCTIONS

STEP 1 Connect Side Support Rod (13) to Side Support Rod (14) with one Side Support Pier (15), and fix them with two Bolts (D), using the Wrench (G). Repeat this operation. Please note that all the Side Support Pier (15) should face the inner side of the bed. You can refer to the picture for the details.

Note: Tighten all the Bolts (D) to 100% in this step.



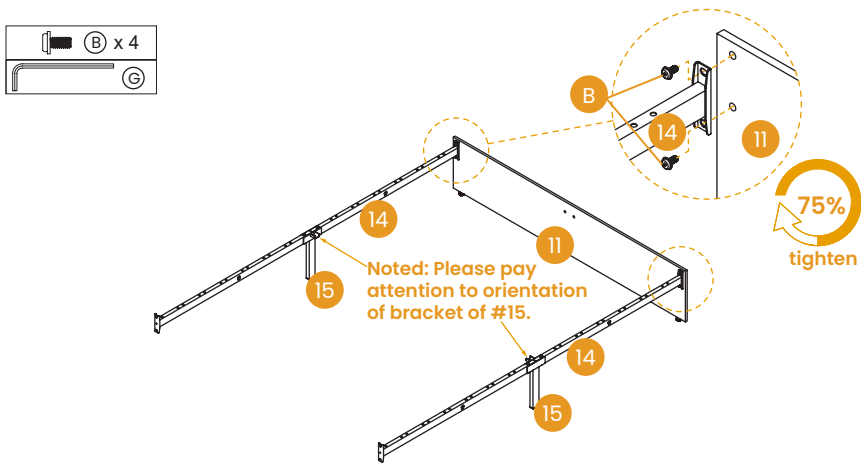
STEP 2 Install the Adjustable Nails (12) onto the bottom of the Bed Tail Board (11), it can help you balance the bed if necessary.



ASSEMBLY INSTRUCTIONS

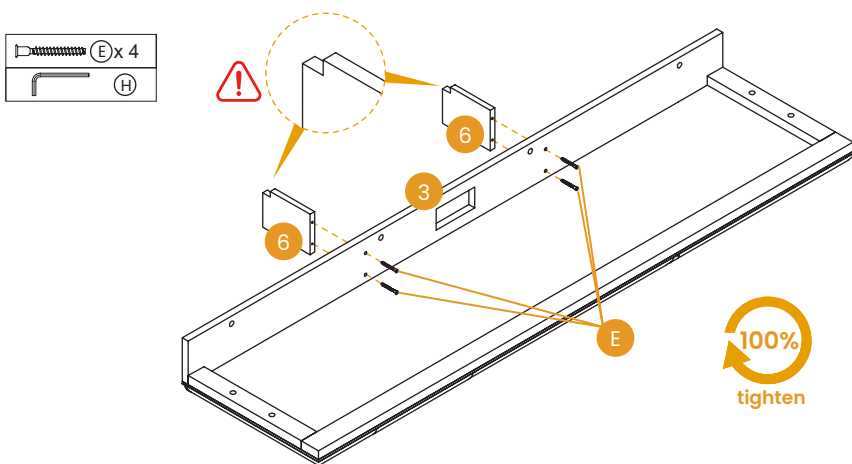
STEP 3 Connect the two installed Side Support Rod (14) in the STEP1 onto the Bed Tail Board (11) with four Bolts (B), using the Wrench (G). Please note that all the Side Support Pier (15) should face the inner side of the bed. You can refer to the picture for the details.

Note: Simply tighten the Bolts (B) to 75% of the specified torque.



STEP 4 Place the Headboard Backrest (3) flat on the ground, then install the two Partition Board (6) into the top side of it with four Screws (E), using the Wrench (H). Please place the Partition Board (6) with the notch facing upwards. You can refer to the picture for the details.

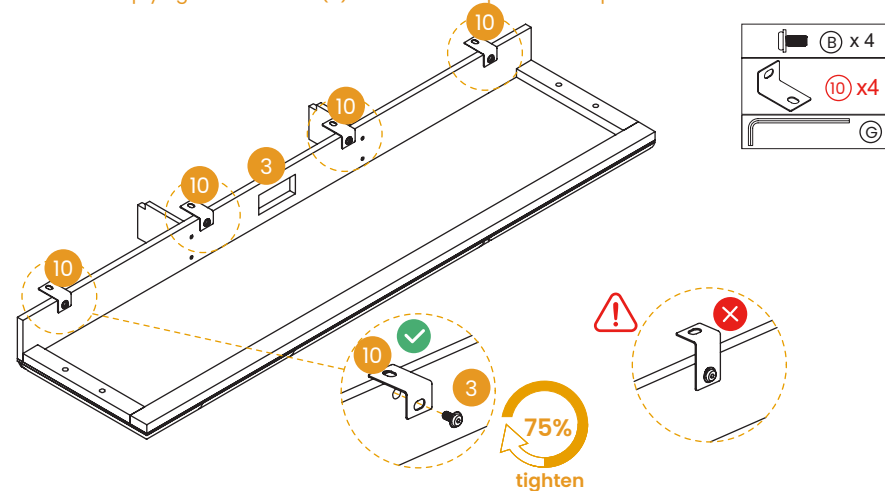
Note: Tighten all the Screws (E) to 100% in this step.



ASSEMBLY INSTRUCTIONS

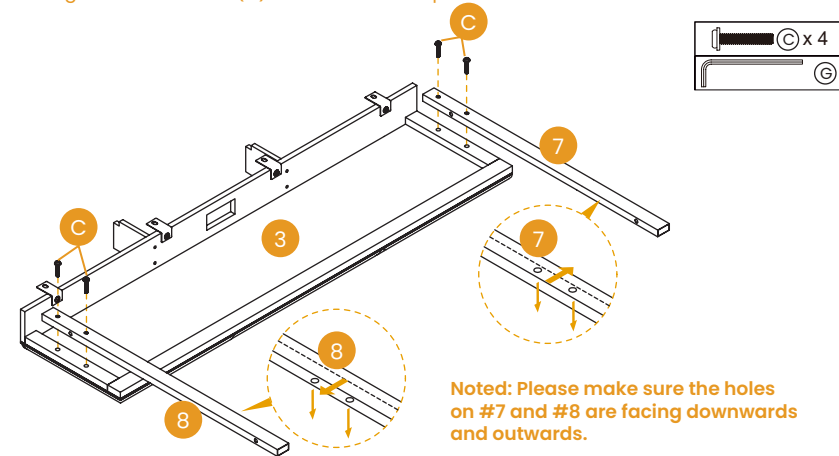
STEP 5 Install the four Connecting Iron (10) onto the top side of the Headboard Backrest (3) with four Bolts (B), using the Wrench (G). Note that the shorter side of the Connecting Iron (10) needs to be fixed with bolts, you can refer to the picture for the details.

Note: Simply tighten the Bolts (B) to 75% of the specified torque.



STEP 6 Align the bolt holes at the Right Side Support Column (7) and the Left Side Support Column (8) with the pre-drilled holes on the Headboard Backrest (3) and fix them with four Bolts (C), using the Wrench (G). Note that the side with two holes of support columns should face downwards, you can refer to the picture for the details.

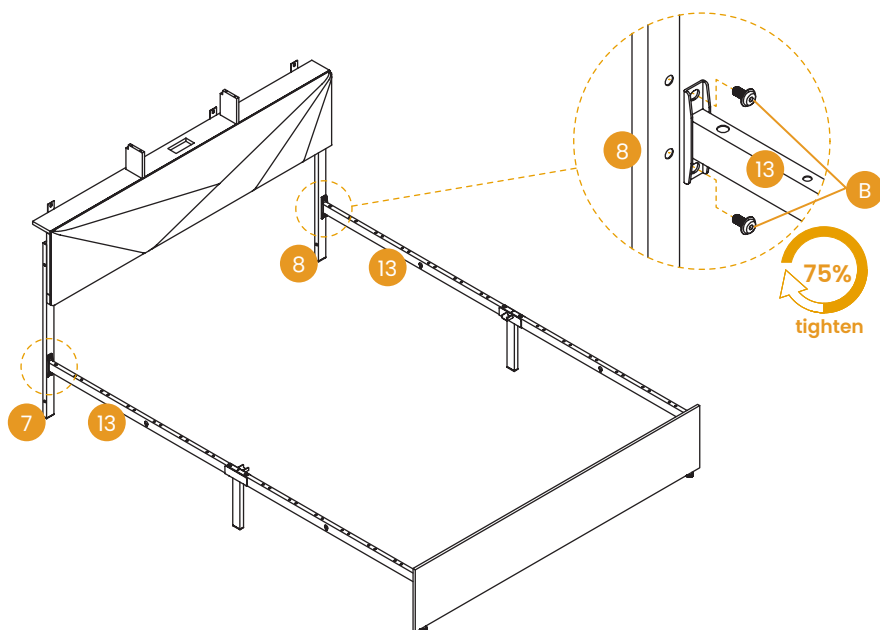
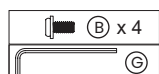
Note: Tighten all the Bolts (C) to 100% in this step.



ASSEMBLY INSTRUCTIONS

STEP 7 Place the structure installed in the previous step upright on the ground and connect the Support Column (7&8) onto the Side Support Rod (13) with four Bolts (B), using the Wrench (G).

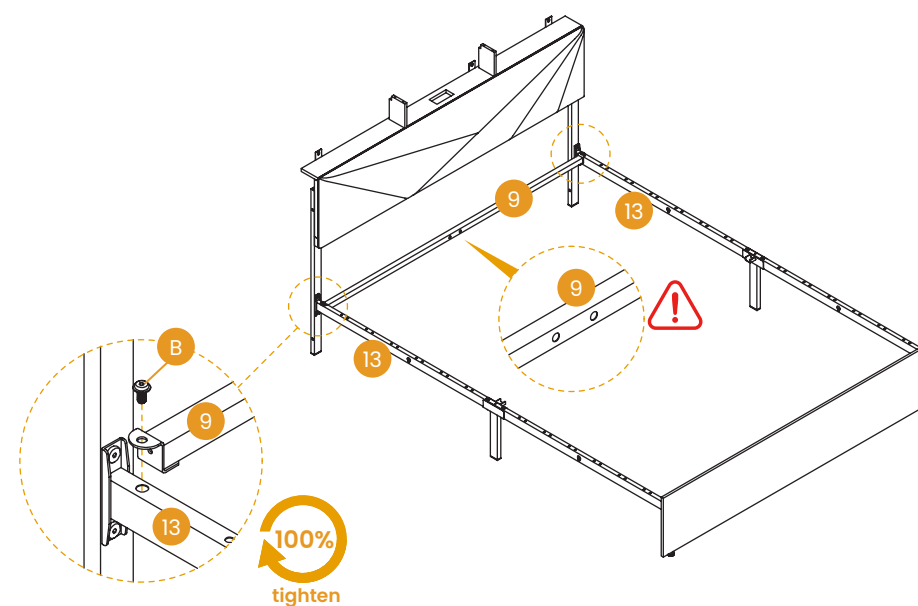
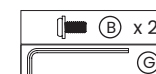
Note: Simply tighten the Bolts (B) to 75% of the specified torque.



ASSEMBLY INSTRUCTIONS

STEP 8 Install the Front Support Rod (9) onto the front side of the bed, and fix it onto the two Side Support Rod (13) with two Bolts (B), using the Wrench (G). Note that the side with two holes of Front Support Rod (9) should face the inner side of the bed, you can refer to the picture for the details.

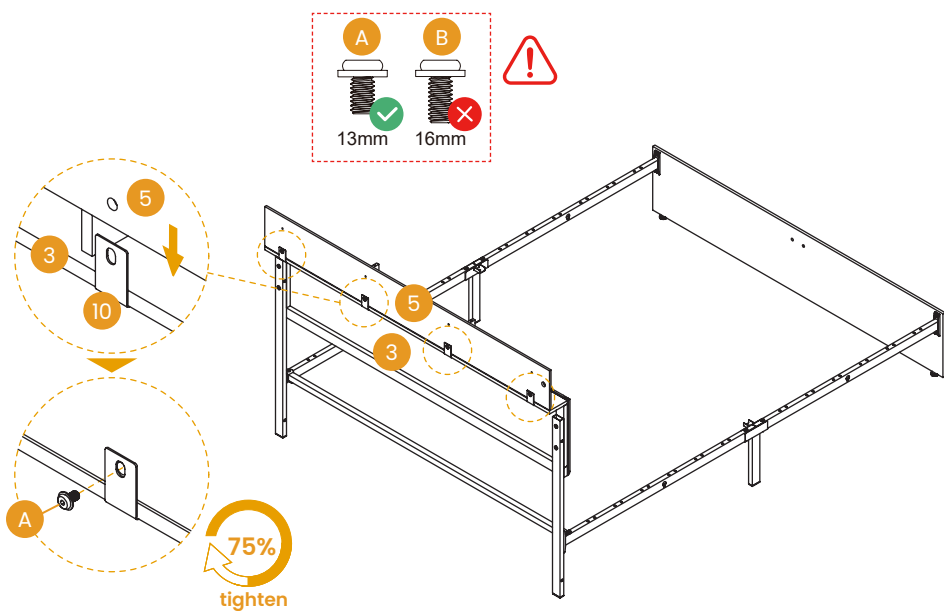
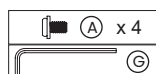
Note: Tighten all the Bolts (B) to 100% in this step.



ASSEMBLY INSTRUCTIONS

STEP 9 Align the bolt holes at the Connecting Plate (5) with the pre-drilled holes on the Connecting Iron (10) and fix them with four Bolts (A), using the Wrench (G). Please use the correct type of bolts.

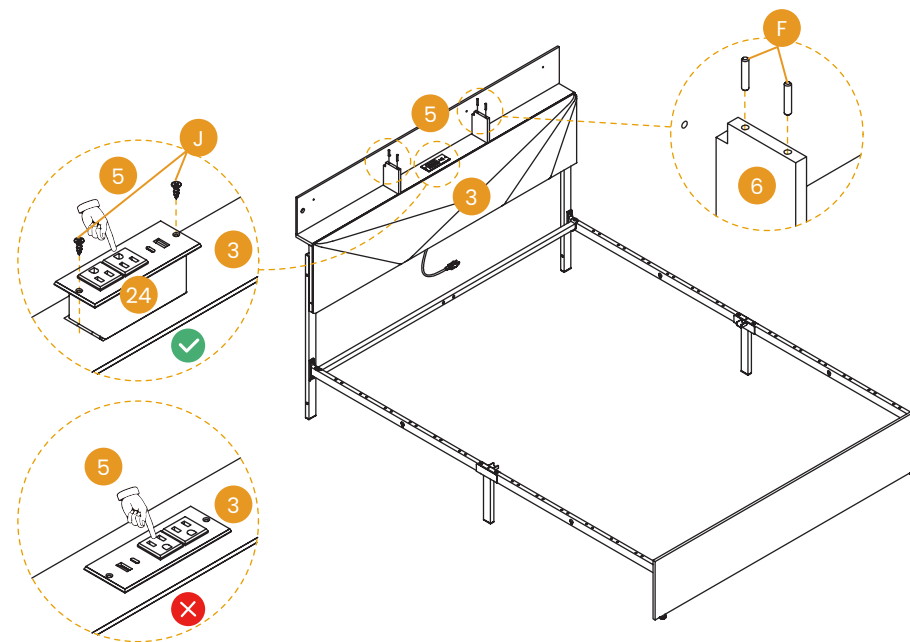
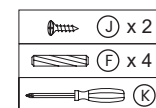
Note: Simply tighten the Bolts (A) to 75% of the specified torque.



ASSEMBLY INSTRUCTIONS

STEP 10 Insert the Dowel (F) into the four small holes at the top of the Partition Board (6). Install the Power Strip (24) onto the top side of the Headboard Backrest (3) with two Screws (J), using the Screwdriver (K). Please install the Power Strip (24) in the correct position, you can refer to the picture for the details.

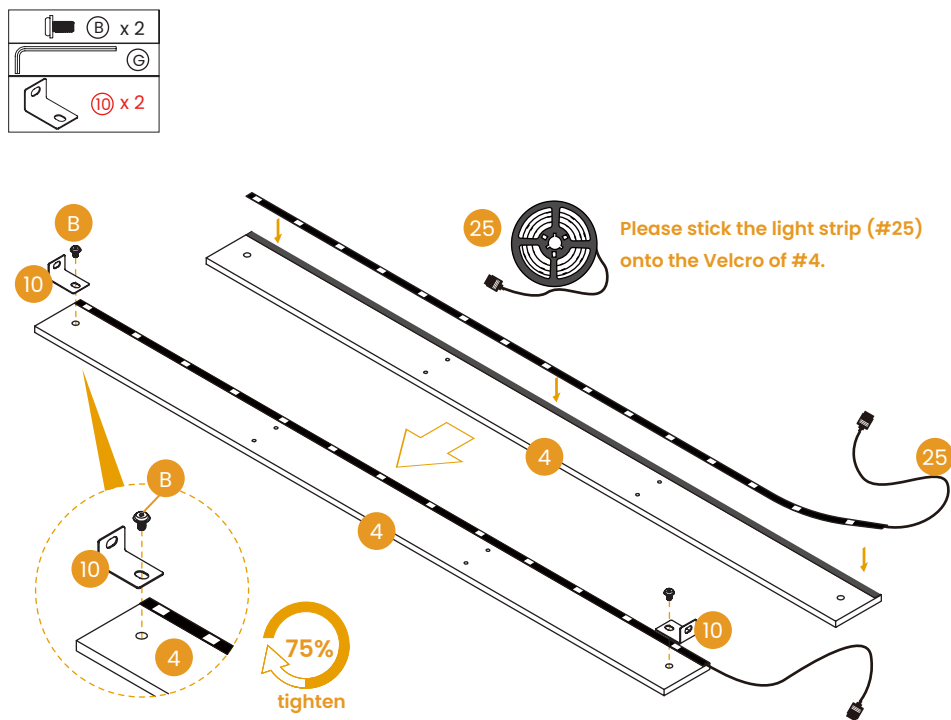
Note: Tighten all the Screws (J) to 100% in this step.



ASSEMBLY INSTRUCTIONS

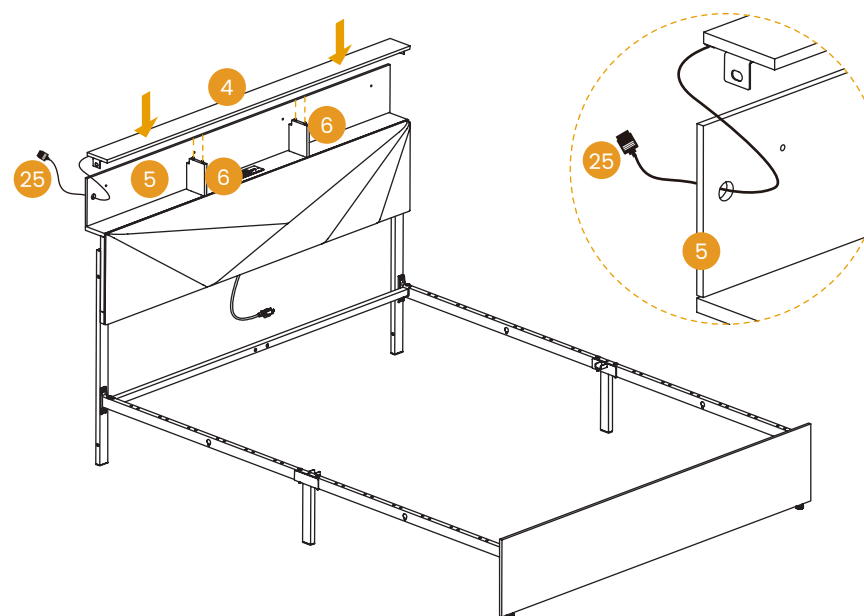
STEP 11 Stick the Light Strip (25) onto the velcro of the Top Plate (4), please pay attention to the location of the electrical plug for the light strip, you can refer to the picture for details. Then install two Connecting Iron (10) onto the both sides of the Top Plate (4) with two Bolts (B), using the Wrench (G). Note that the longer side of the Connecting Iron (10) needs to be fixed with bolts, you can refer to the picture for the details.

Note: Simply tighten the Bolts (B) to 75% of the specified torque.



ASSEMBLY INSTRUCTIONS

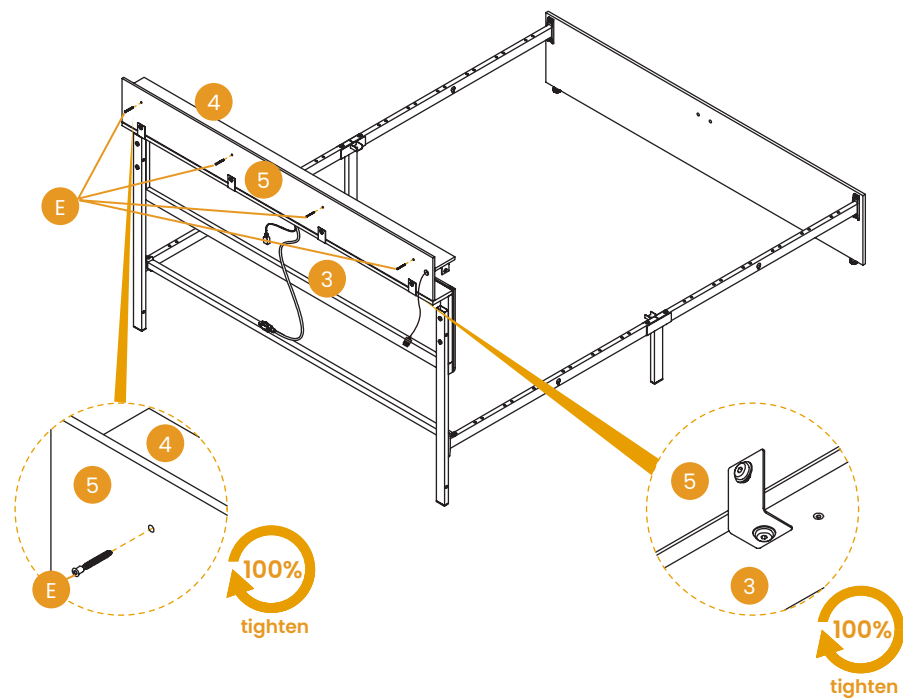
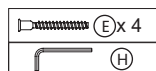
STEP 12 Place the Top Plate (4) vertically downward, and insert the electrical plug of the light strip through the small hole on the edge of the Connecting Plate (5).



ASSEMBLY INSTRUCTIONS

STEP 13 Align the bolt holes at the Top Plate (4) with the pre-drilled holes on the Connecting Plate (5) and fix them with four Screws (E), using the Wrench (H).

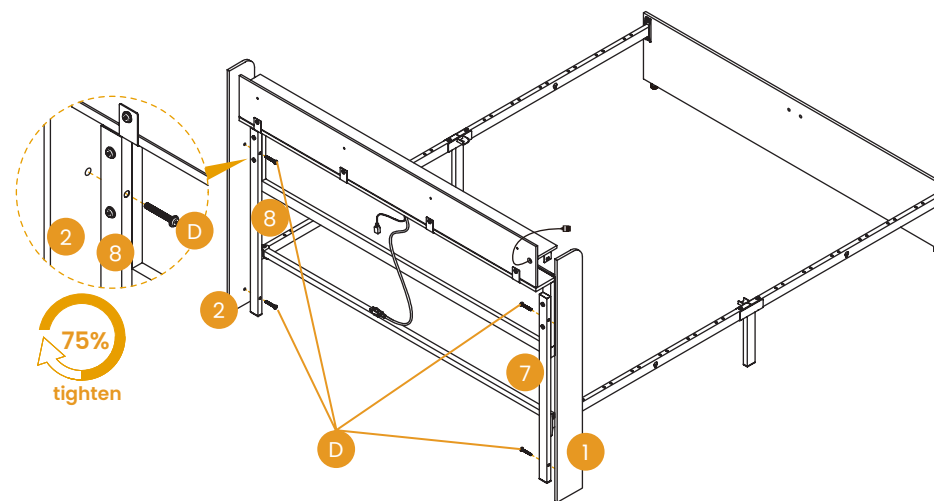
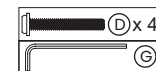
Note: Tighten all the Screws (E) and the Bolts (B) on the Connecting Iron (10) to 100% in this step.



ASSEMBLY INSTRUCTIONS

STEP 14 Align the bolt holes at the Right Side Support Board (1) with the pre-drilled holes on the Right Side Support Column (7) and fix them with two Bolts (D), using the Wrench (G). The same steps are applied to the Left Side Support Board (2) and the Left Side Support Column (8).

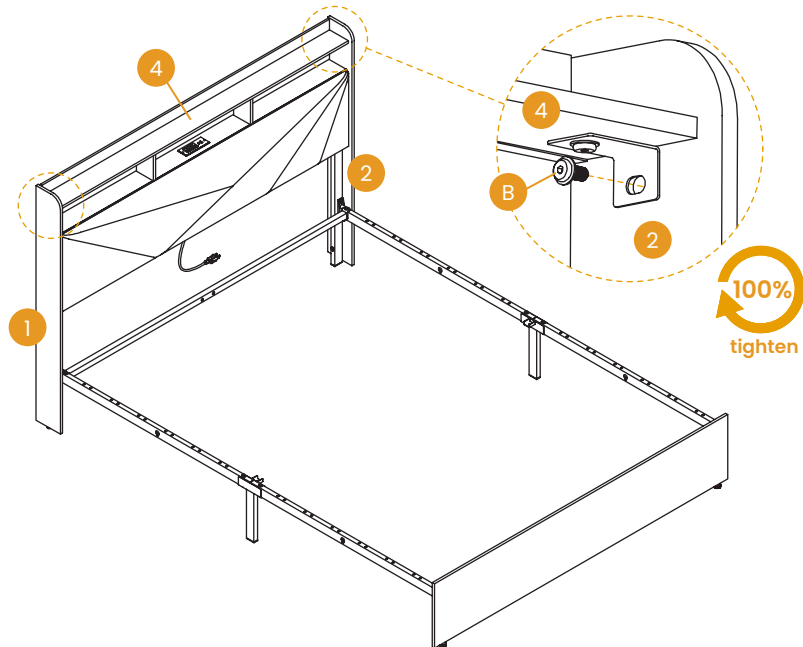
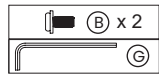
Note: Simply tighten the Bolts (D) to 75% of the specified torque.



ASSEMBLY INSTRUCTIONS

STEP 15 Fix the Connecting Iron (10) under the Top Plate (4) onto the Support Board (1&2) with two Bolts (B), using the Wrench (G).

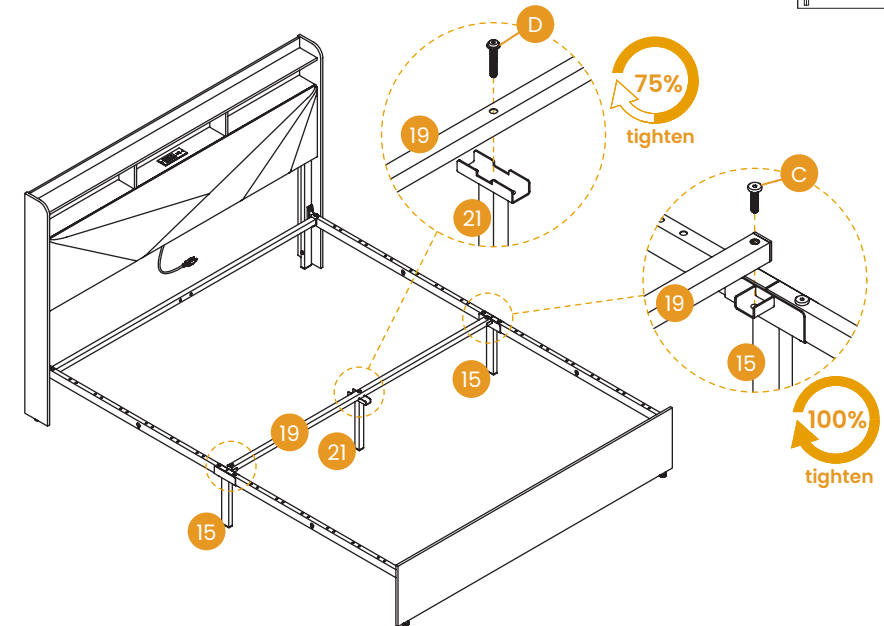
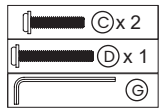
Note: Tighten all the Bolts (B) to 100% in this step.



ASSEMBLY INSTRUCTIONS

STEP 16 Align the bolt holes at the Middle Support Pier (21) with the pre-drilled holes on the Middle Crossbeam (19) and fix them with one Bolt (D), using the Wrench (G). Then fix both side of the Middle Crossbeam (19) onto the two Side Support Pier (15) with two Bolts (C), using the Wrench (G).

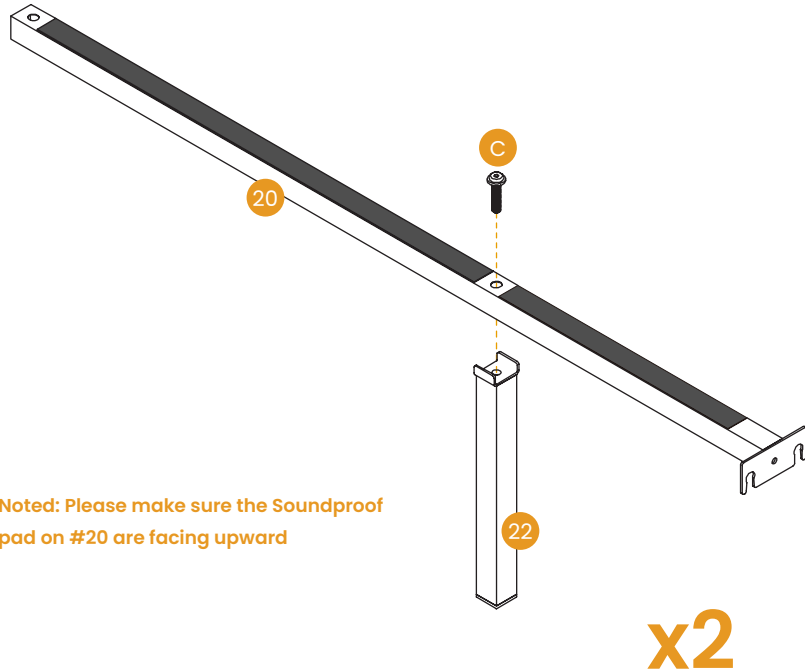
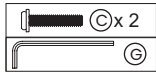
Note: Tighten the Bolt (D) to 75% and the Bolts (C) 100% in this step.



ASSEMBLY INSTRUCTIONS

STEP 17 Align the bolt holes at the Support Pier (22) with the pre-drilled holes on the Half Crossbeam (20) and fix them with one Bolt (C), using the Wrench (G). Repeat this step to obtain another structure of the same type. Note that the side with soundproof pad on the Half Crossbeam (20) should face upward.

Note: Tighten all the Bolts (C) to 100% in this step.



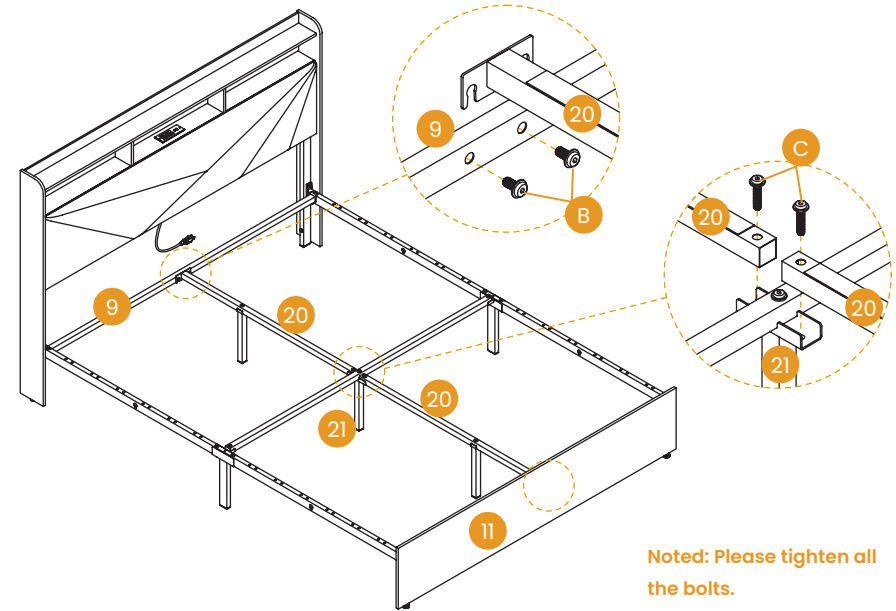
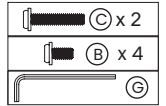
Noted: Please make sure the Soundproof pad on #20 are facing upward

x2

ASSEMBLY INSTRUCTIONS

STEP 18 Place the structure obtained in the previous step in the position shown in the picture, and fix it to the Front Support Rod (9) with two Bolts (B), the Middle Support Pier (21) one Bolt (C). The same steps are applied to the Bed Tail Board (11) and the Middle Support Pier (21).

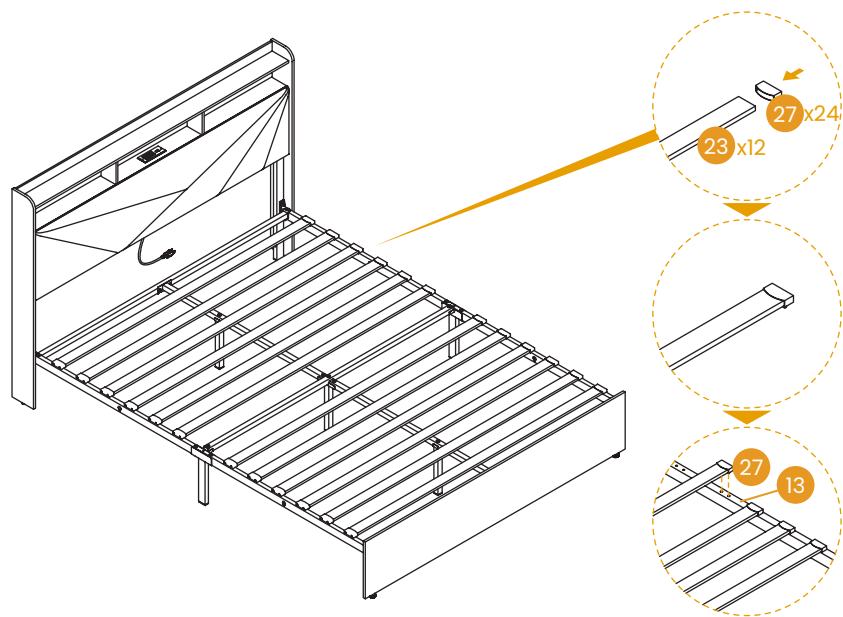
Note: Tighten all the Bolts (B&C) to 100% in this step.



Noted: Please tighten all the bolts.

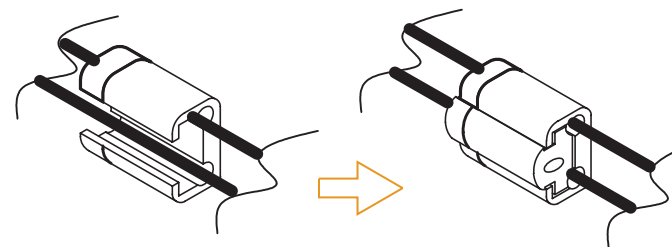
ASSEMBLY INSTRUCTIONS

STEP 19 Put Crossbeam Fixing Caps (27) on both ends of each Crossbeam (23), then install the twelve Crossbeams (23) onto the bed, you can refer to the picture for the details.

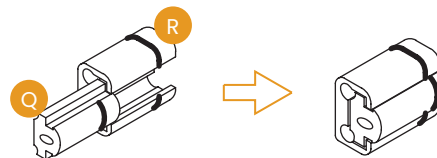


ASSEMBLY INSTRUCTIONS

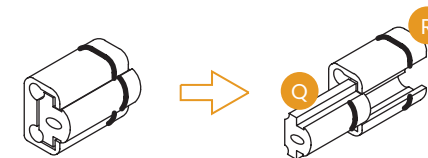
STEP 20 Place round iron tube as shown for better drawer assembly. This is the only direction that can be locked. You can pull the buckle out by following the direction indicated by the arrow.



Place round iron tube as shown for better drawer assembly






This is the only direction that can be locked

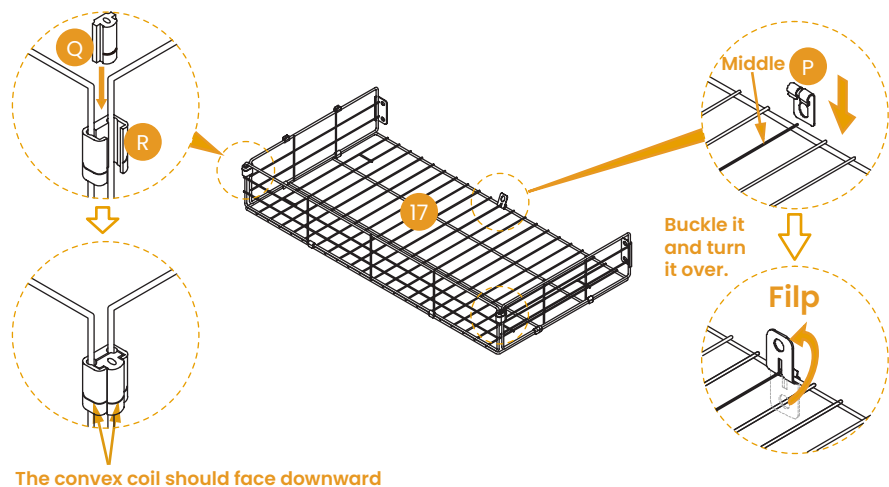


You can pull the buckle out by following the direction indicated by the arrow

ASSEMBLY INSTRUCTIONS

STEP 21 Use the method from the previous step to secure the two corners of the drawer with two Buckle (Q) and two Round Iron Tube (R), then install the Drilled Part (P) in the middle side of the drawer. Note that you should stand the Drilled Part (P) upright. Repeat this step to obtain another three structures of the same type.

	P x 4
	Q x 8
	R x 8



The convex coil should face downward

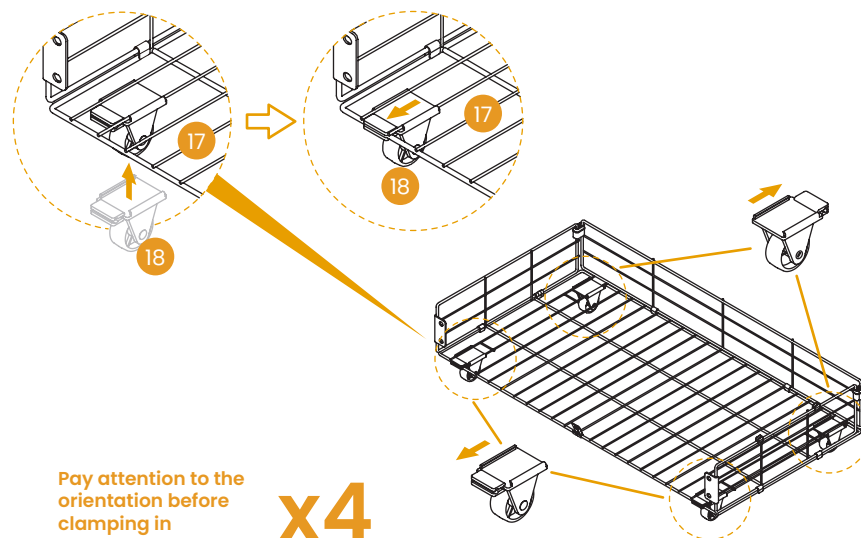
Buckle it and turn it over.

x4

ASSEMBLY INSTRUCTIONS

STEP 22 Install the four Casters (18) in the correct direction onto the bottom of the Drawer (17). Repeat this step to obtain another three structures of the same type.

	18 x 16
---	---------







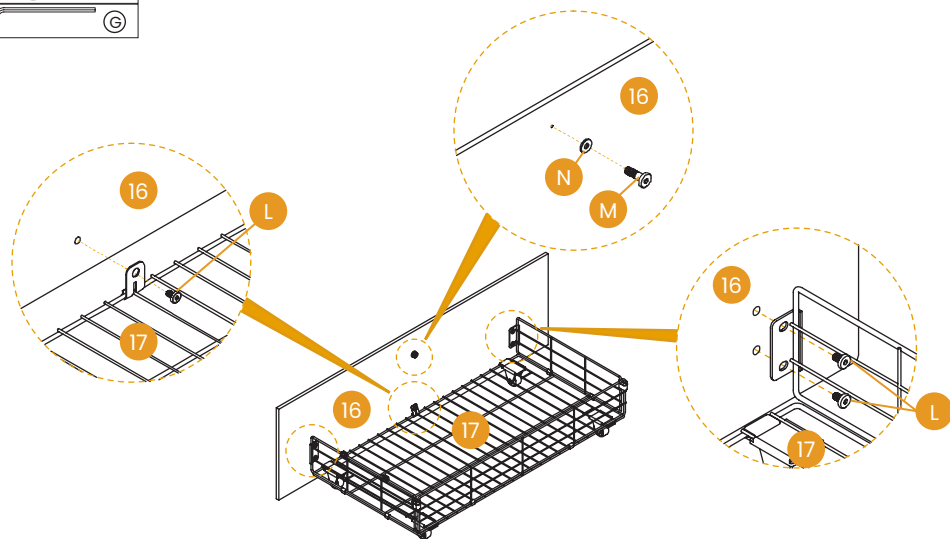
Pay attention to the orientation before clamping in

x4

ASSEMBLY INSTRUCTIONS

STEP 23 Connect the Drawer (17) to the Drawer Board (16) with five Bolts (L), note that there are four bolts on the edge, and one in the middle. Then insert the Bolts (M) with one Flat Washer (N) into the Drawer Board (16). Repeat this step to obtain another three structures of the same type.

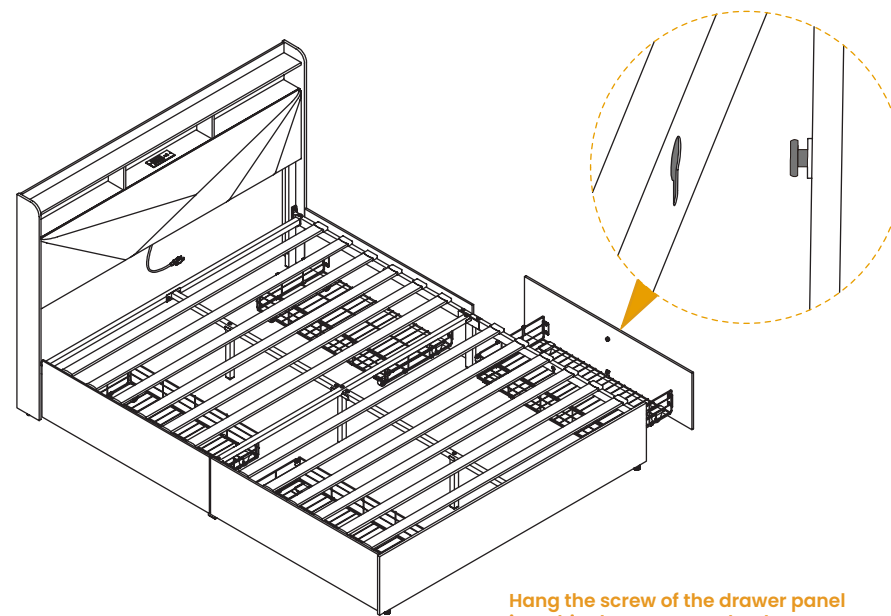
	L	x 20
	M	x 4
	N	x 4
	G	



x4

ASSEMBLY INSTRUCTIONS

STEP 24 When closing the drawer, the Bolt (M) will get stuck in the Side Support Rod (13&14) to help secure the drawer. When pulling out the drawer, simply lift it up gently.



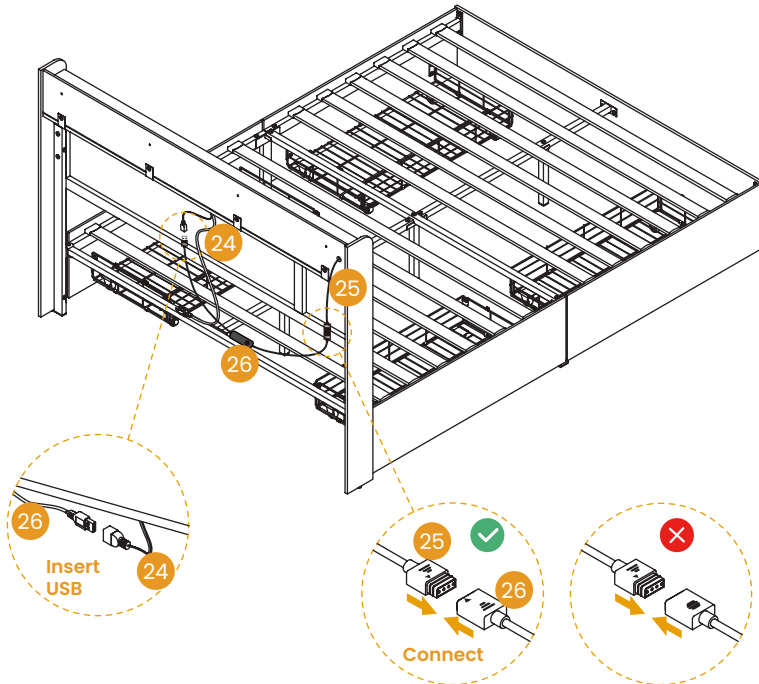
Hang the screw of the drawer panel into this slot to secure the drawer.

ASSEMBLY INSTRUCTIONS

- STEP 25** Connect the USB ports of Power Strip (24) and Remote-control Unit (26) together, then Connect the USB ports of Light Strip (25) and Remote-control Unit (26) together. Please connect the USB interface in the correct direction, you can refer to the picture for details.
 Note: Please remove the clear plastic card when you use the remote control board to control the color of the light.

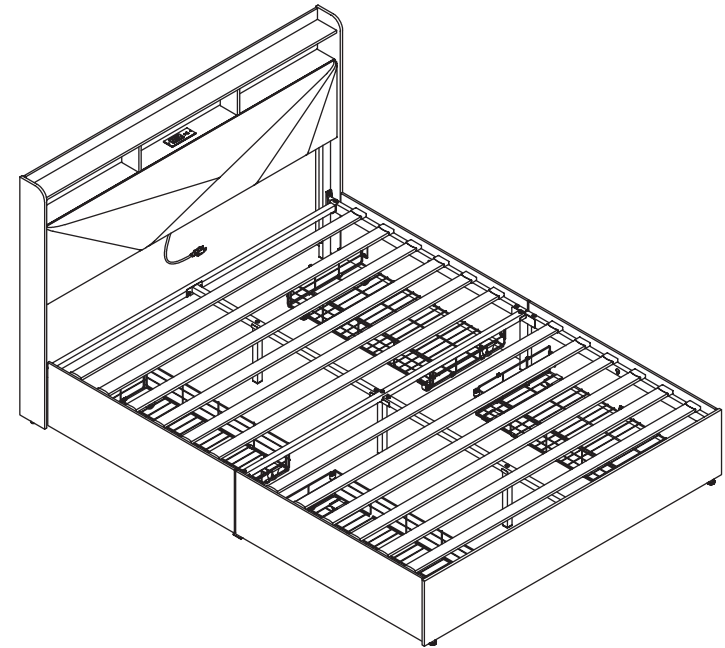


NOTICE:  When you use the remote control board to control the color of the light, Please remove the clear plastic card.



ASSEMBLY INSTRUCTIONS

- STEP 26** Now, your bed frame is successfully installed.



LIMITED WARRANTY

We promise to repair or replace any product that is found to be defective in material or workmanship within one year from the date of original purchase, as long as you, the original purchaser, still own it. This is your sole and exclusive remedy under this warranty, subject to the provisions outlined below.

EXCLUSIONS

This warranty does not apply to, and no other warranty applies to:

- Normal wear and tear, which is to be expected over the course of ownership.
- Misuse, abuse, or excessive use of the product.
- Modifications or attachments to the product that are not approved.
- Products that were not installed, used, or maintained in accordance with the product instructions and warnings.
- Products used for rental purposes or unauthorized retail activities.

Product Usage: Normal use for the product is defined as equivalent to a single shift, forty-hour (40) workweek. If the product is used in a manner exceeding this, the applicable warranty period will be proportionately reduced.

RETURN POLICY

We offer a 30-day return policy, meaning that all products purchased may be returned to us within that timeframe. You must contact us via email or customer service phone number within 30 days of receiving the product(s), and they must be returned to us without any undue delays.

CONDITIONS:

- Returned products must be in the same condition as received and returned in their original packaging.
- If the product is not faulty (i.e., if you change your mind or are unhappy with the product for another reason), you are responsible for the cost of return shipping. You must ensure the package arrives safely to us, so we recommend using a courier service that offers tracking.

LIMITED WARRANTY

- If the product is faulty when received, please contact us, and we will assist you with the return, covering the shipping costs in this case.
- We reserve the right to offer partial refunds for returned products that are not in unused condition, are damaged, or have missing parts not due to our error.

HOW RETURNS WORK

To request a return, please attach a copy of your invoice as proof of purchase, along with the reason for the return.

We will provide the return address for the product as soon as possible. Once the returned product is received and inspected, we will provide a specific resolution.

If the return is approved, the refund amount will be automatically credited to your original payment method.

MAINTENANCE INSTRUCTIONS



Dust and clean up spills immediately using a clean, non-colored, lint-free cloth.



Use a mild soap solution and a damp cloth to remove stains.



Do not place hot items directly on the furniture surface without using a protective barrier.



For indoor use only. Do not place the furniture outside.



Do not place furniture in direct sunlight.



Do not write on the furniture surface without a padded barrier to protect it.



Do not clean furniture with harsh cleaners or polishes.



Do not place furniture near heating or cooling vents (keep at least 3 feet away)

INTRODUCCIÓN DE PRECAUCIONES

Gracias por comprar nuestros productos. Lea atentamente las instrucciones antes de la instalación y guárdelas en un lugar seguro para futuras consultas.

Si necesita asistencia o soporte, no dude en ponerse en contacto con nuestro equipo de atención al cliente.

1. El paquete contiene muchos componentes y accesorios. Cada componente y accesorio está marcado con una letra o un número; revíselos cuidadosamente antes de utilizarlos. Manténgalos fuera del alcance de los niños para evitar accidentes.

2. Instale el producto sobre una base limpia y blanda (como alfombra o cartón) para evitar rayar o dañar la superficie del producto.

3. Los componentes principales del producto son relativamente pesados. Preste atención a la seguridad durante la instalación.

4. El producto no es estable durante la instalación. No lo mueva al azar antes de que esté completamente instalado.

5. Si tiene alguna pregunta durante la instalación, póngase en contacto con el servicio de atención al cliente de inmediato.

ASEGÚRESE DE SEGUIR LOS PASOS DE INSTALACIÓN DEL MANUAL PARA EVITAR PÉRDIDAS INNECESARIAS CAUSADAS POR UNA INSTALACIÓN INCORRECTA.

INFORMACIÓN DEL PRODUCTO

CAPACIDAD DE PESO DEL PRODUCTO: 1100LBS (≈499KG)

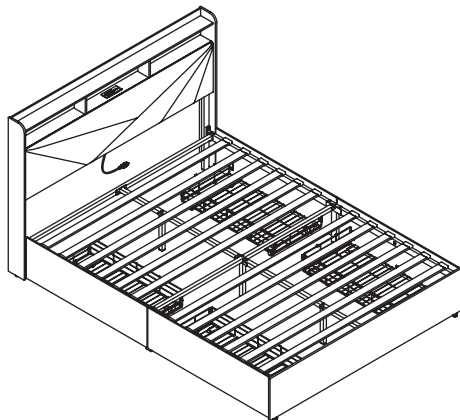
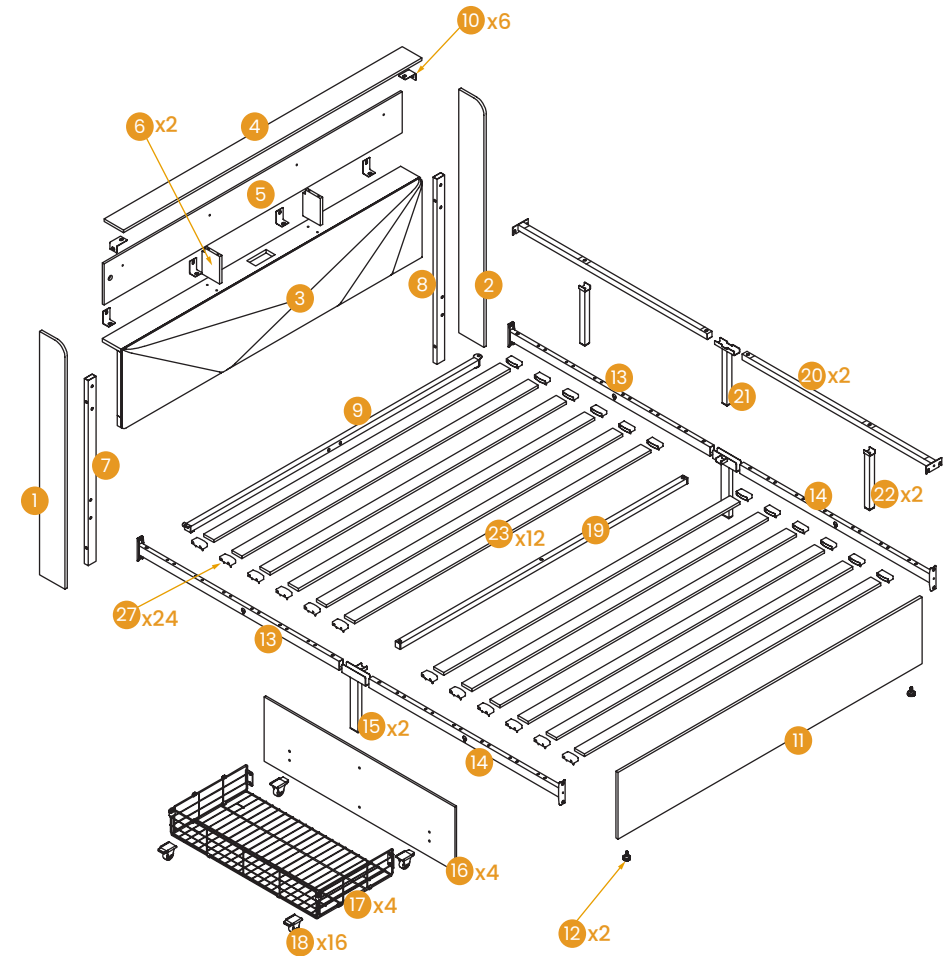


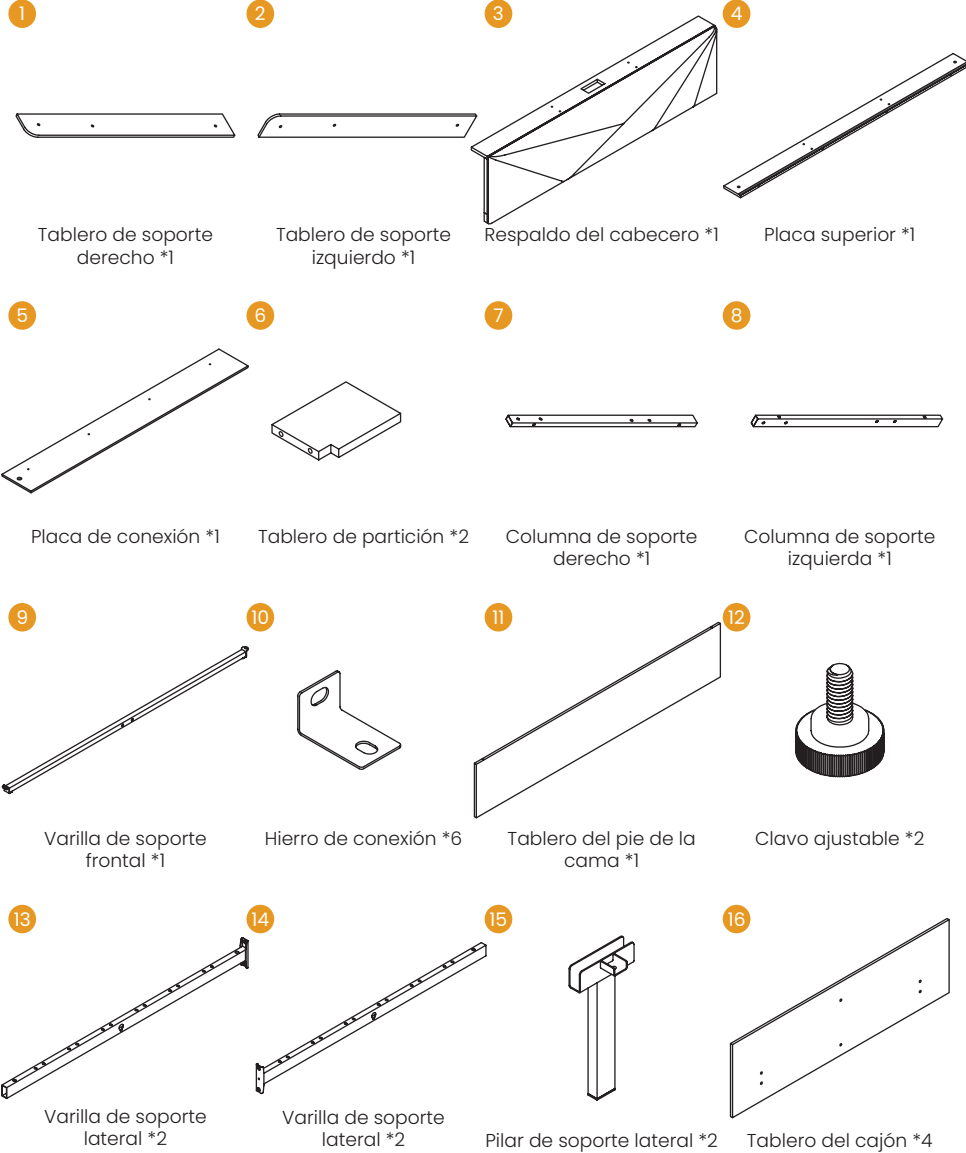
DIAGRAMA TÉCNICO EN VISTA EXPLOSIVA



PIEZAS Y HERRAMIENTAS DE MONTAJE

POR FAVOR, ASEGÚRESE DE QUE TODAS LAS PIEZAS ESTÉN INCLUIDAS.

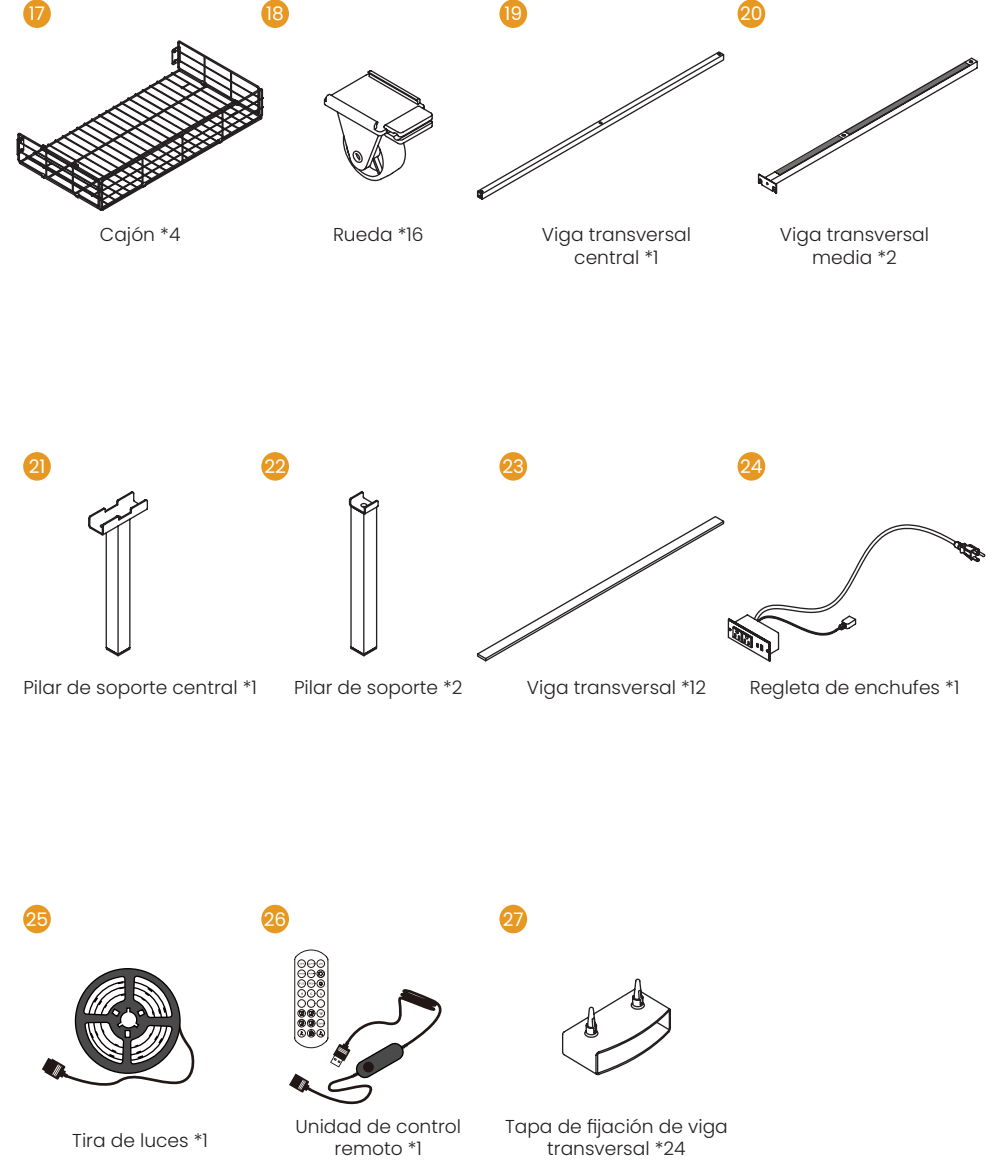
¿FALTAN PIEZAS?
malolSERVICE@hotmail.com



PIEZAS Y HERRAMIENTAS DE MONTAJE

POR FAVOR, ASEGÚRESE DE QUE TODAS LAS PIEZAS ESTÉN INCLUIDAS.

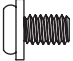
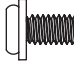






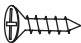
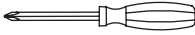
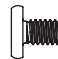
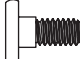



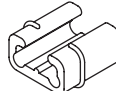
¿FALTAN PIEZAS?
malolSERVICE@hotmail.com



PIEZAS Y HERRAMIENTAS DE MONTAJE

POR FAVOR, ASEGÚRESE DE QUE TODAS LAS PIEZAS ESTÉN INCLUIDAS.

¿FALTAN PIEZAS?
maloservice@hotmail.com

A	B	C	D
			
Pernos 5/16" x 13mm *5 (Incluye 1 pieza de repuesto)	Pernos 5/16" x 16mm *24 (Incluye 2 piezas de repuesto)	Pernos 5/16" x 40mm *12 (Incluye 2 piezas de repuesto)	Pernos 5/16" x 55mm *11 (Incluye 2 piezas de repuesto)
E	F	G	H
			
Tornillos M5 x 35mm *10 (Incluye 2 piezas de repuesto)	Pasador *5 (Incluye 1 pieza de repuesto)	Llave de 4mm *1	Llave de 3mm *1
J	K	L	M
			
Tornillos M3.5 x 13mm *3 (Incluye 1 pieza de repuesto)	Destornillador *1	Pernos 1/4" x 11mm *22 (Incluye 2 piezas de repuesto)	Pernos 1/4" x 16mm *5 (Incluye 1 pieza de repuesto)
N	P	Q	R
			
Arandela plana *5 (Incluye 1 pieza de repuesto)	Partes perforadas *5 (Incluye 1 pieza de repuesto)	Hebilla *10 (Incluye 2 piezas de repuesto)	Tubo de hierro redondo *10 (Incluye 2 piezas de repuesto)

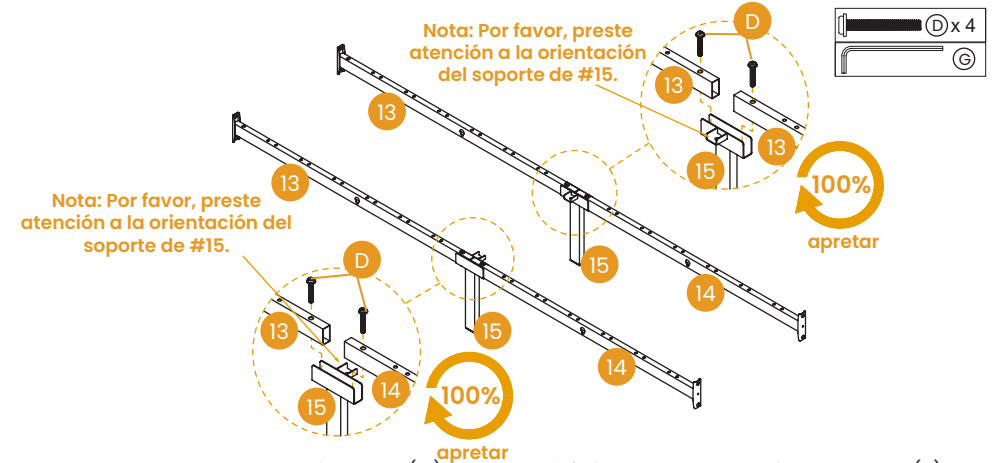
⚠ ANTES DE COMENZAR, ALGUNOS CONSEJOS:

 Tener a un amigo que le ayude hace que el montaje sea mucho más fácil.  Por favor, utilice la llave incluida en lugar de un TALADRO ELÉCTRICO para evitar daños en el producto.

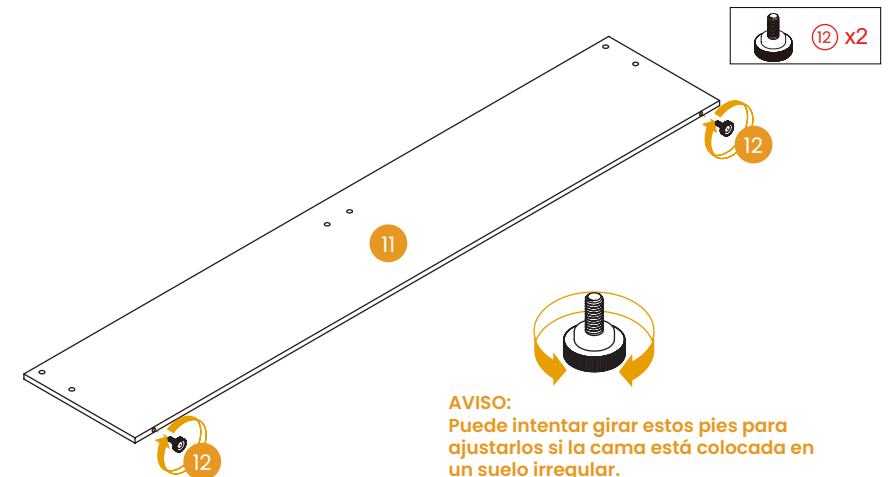
INSTRUCCIONES DE MONTAJE

PASO 1 Conecte la Varilla de Soporte Lateral (13) a la Varilla de Soporte Lateral (14) con un Pilar de Soporte Lateral (15), y fíjelas con dos Pernos (D), usando la Llave (G). Repita esta operación. Tenga en cuenta que todos los Pilares de Soporte Lateral (15) deben estar orientados hacia el lado interior de la cama. Puede referirse a la imagen para más detalles.

Nota: Apriete todos los Pernos (D) al 100% de su par de apriete en este paso.



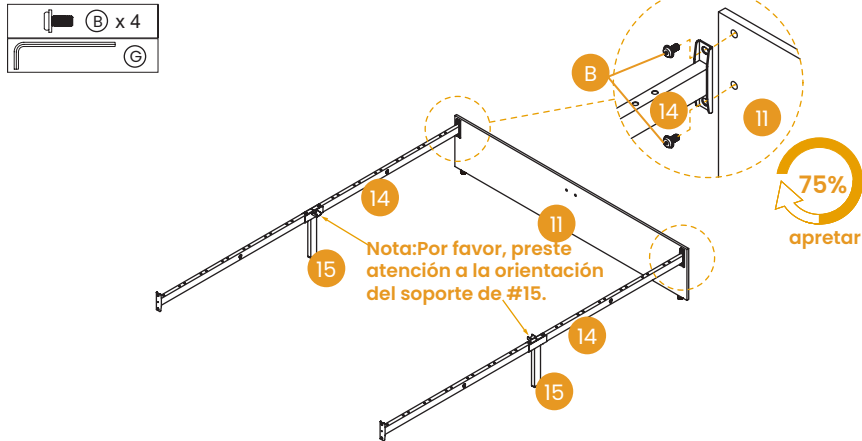
PASO 2 Instale los Clavos Ajustables (12) en la parte inferior del Tablero del Pie de la Cama (11), puede ayudar a equilibrar la cama si es necesario.



INSTRUCCIONES DE MONTAJE

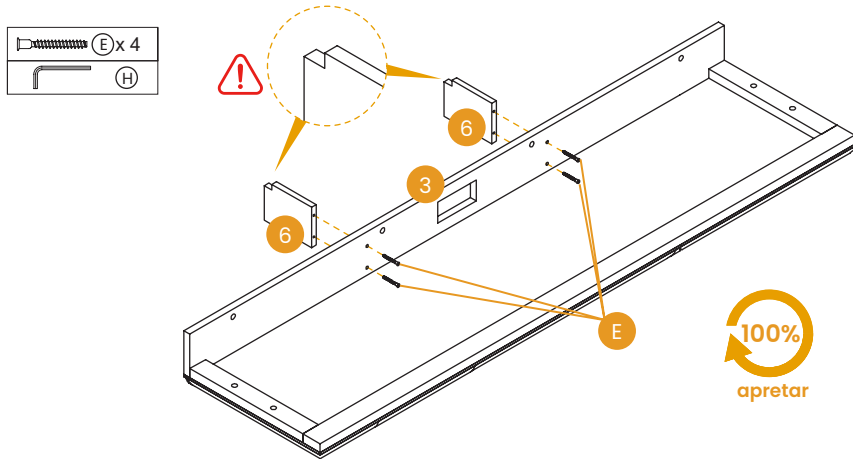
PASO 3 Conecte las dos Varillas de Soporte Lateral instaladas en el STEP 1 al Tablero del Pie de la Cama (11) con cuatro Pernos (B), usando la Llave (G). Tenga en cuenta que todos los Pilares de Soporte Lateral (15) deben estar orientados hacia el lado interior de la cama. Puede referirse a la imagen para más detalles.

Nota: Apriete simplemente los Pernos (B) al 75% del par de apriete especificado.



PASO 4 Coloque el Respaldo del Cabecero (3) plano sobre el suelo, luego instale los dos Tableros de Partición (6) en la parte superior del mismo con cuatro Tornillos (E), usando la Llave (H). Coloque el Tablero de Partición (6) con la muesca hacia arriba. Puede referirse a la imagen para más detalles.

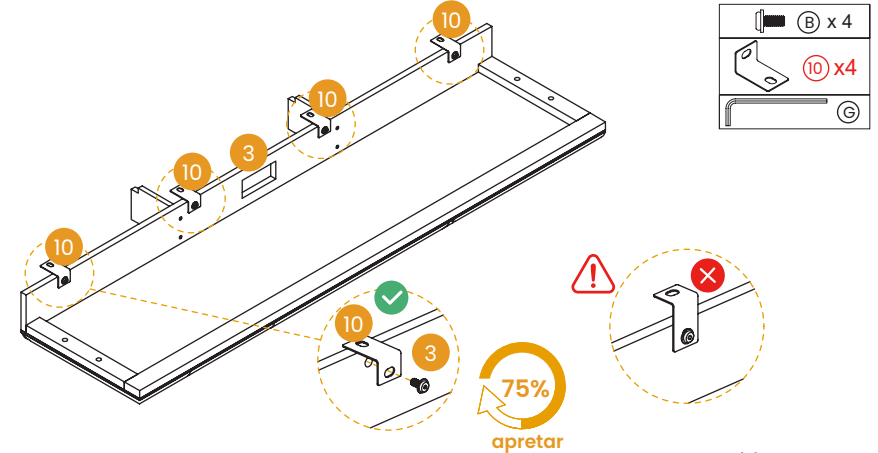
Nota: Apriete todos los Tornillos (E) al 100% en este paso.



INSTRUCCIONES DE MONTAJE

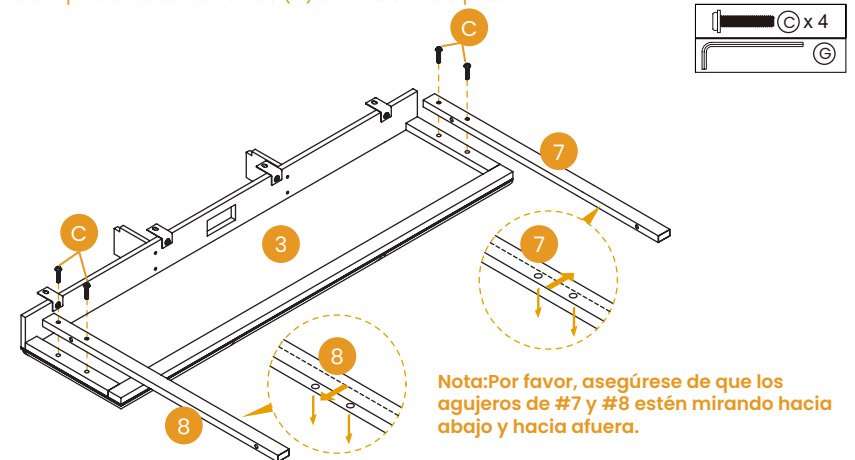
PASO 5 Instale los cuatro Hierros de Conexión (10) en la parte superior del Respaldo del Cabecero (3) con cuatro Pernos (B), usando la Llave (G). Tenga en cuenta que el lado más corto de los Hierros de Conexión (10) debe fijarse con pernos, puede referirse a la imagen para más detalles.

Nota: Apriete simplemente los Pernos (B) al 75% del par de apriete especificado.



PASO 6 Alinee los agujeros de los pernos en la Columna de Soporte Lateral Derecha (7) y la Columna de Soporte Lateral Izquierda (8) con los agujeros perforados en el Respaldo del Cabecero (3) y fíjelos con cuatro Pernos (C), usando la Llave (G). Tenga en cuenta que el lado con los dos agujeros de soporte debe quedar orientado hacia abajo, puede referirse a la imagen para más detalles.

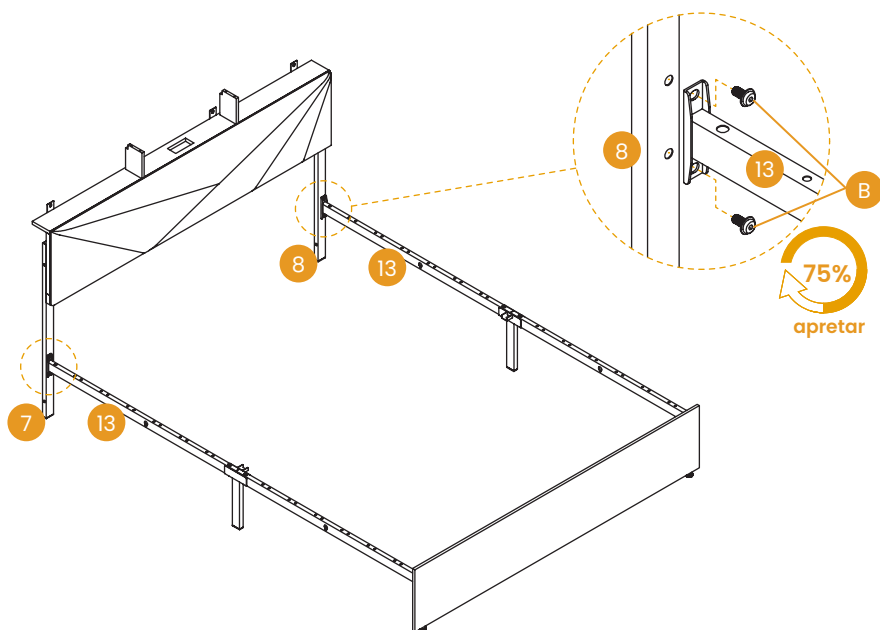
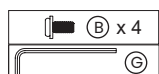
Nota: Apriete todos los Pernos (C) al 100% en este paso.



INSTRUCCIONES DE MONTAJE

PASO 7 Coloque la estructura instalada en el paso anterior de pie en el suelo y conecte la Columna de Soporte (7&8) a la Varilla de Soporte Lateral (13) con cuatro Pernos (B), usando la Llave (G).

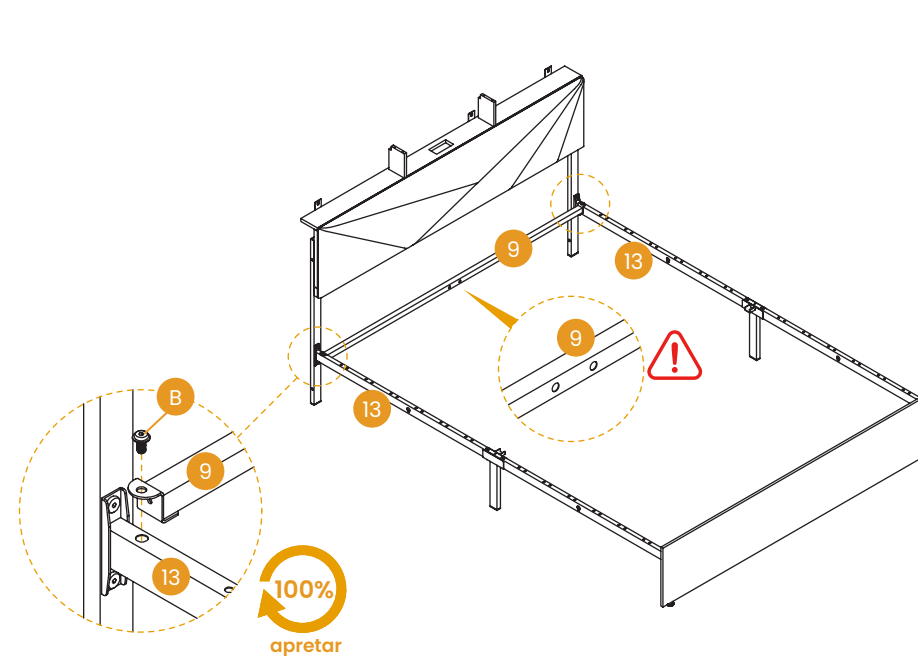
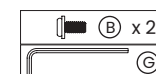
Nota: Apriete simplemente los Pernos (B) al 75% del par de apriete especificado.



INSTRUCCIONES DE MONTAJE

PASO 8 Instale la Varilla de Soporte Frontal (9) en la parte frontal de la cama y fíjela a las dos Varillas de Soporte Lateral (13) con dos Pernos (B), usando la Llave (G). Tenga en cuenta que el lado con dos agujeros de la Varilla de Soporte Frontal (9) debe estar orientado hacia el interior de la cama, puede referirse a la imagen para más detalles.

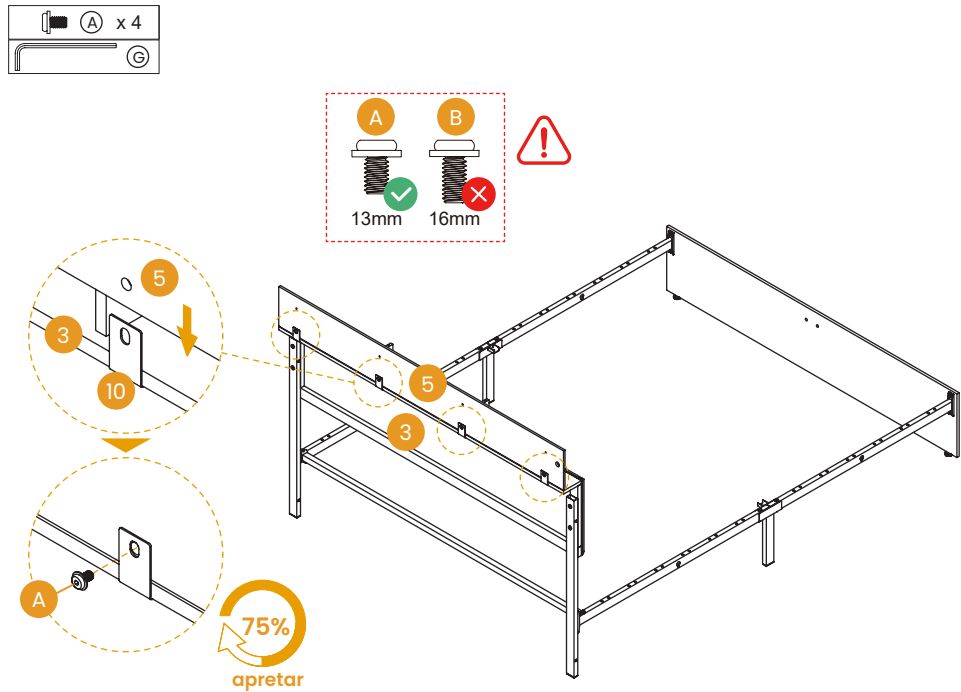
Nota: Apriete todos los Pernos (B) al 100% en este paso.



INSTRUCCIONES DE MONTAJE

PASO 9 Alinee los agujeros de los pernos en la Placa de Conexión (5) con los agujeros perforados en el Hierro de Conexión (10) y fíjelos con cuatro Pernos (A), usando la Llave (G).

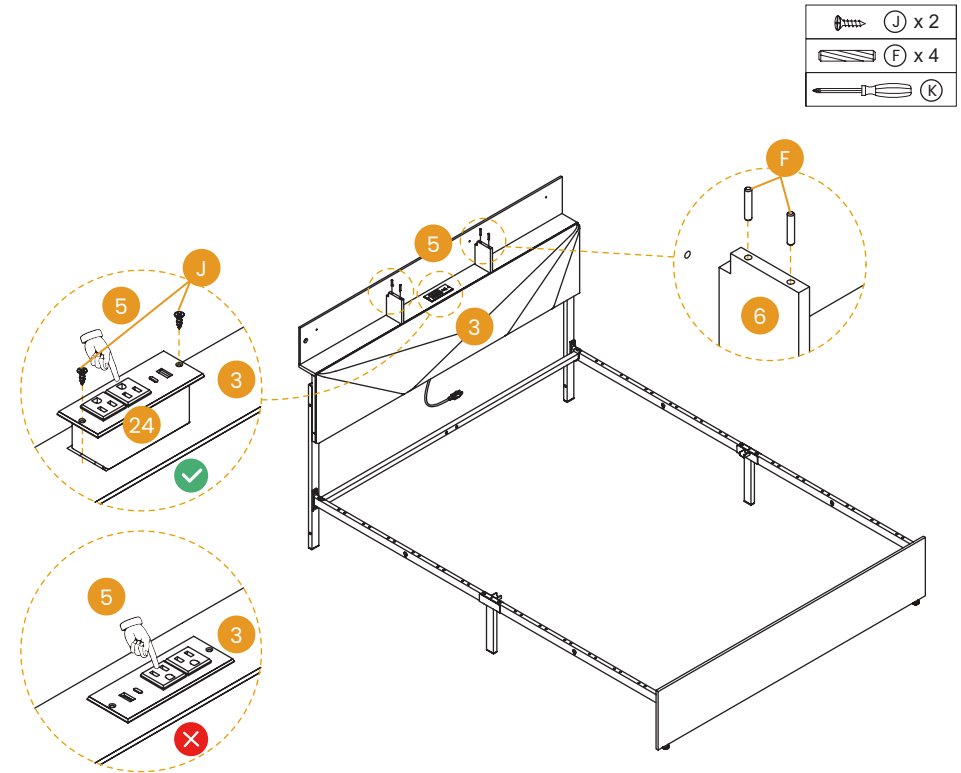
Nota: Apriete simplemente los Pernos (A) al 75% del par de apriete especificado.



INSTRUCCIONES DE MONTAJE

PASO 10 Inserte el Pasador (F) en los cuatro pequeños agujeros en la parte superior del Tablero de Partición (6). Instale la Regleta de Enchufes (24) en la parte superior del Respaldo del Cabecero (3) con dos Tornillos (J), usando el Destornillador (K). Por favor, instale la Regleta de Enchufes (24) en la posición correcta, puede referirse a la imagen para más detalles.

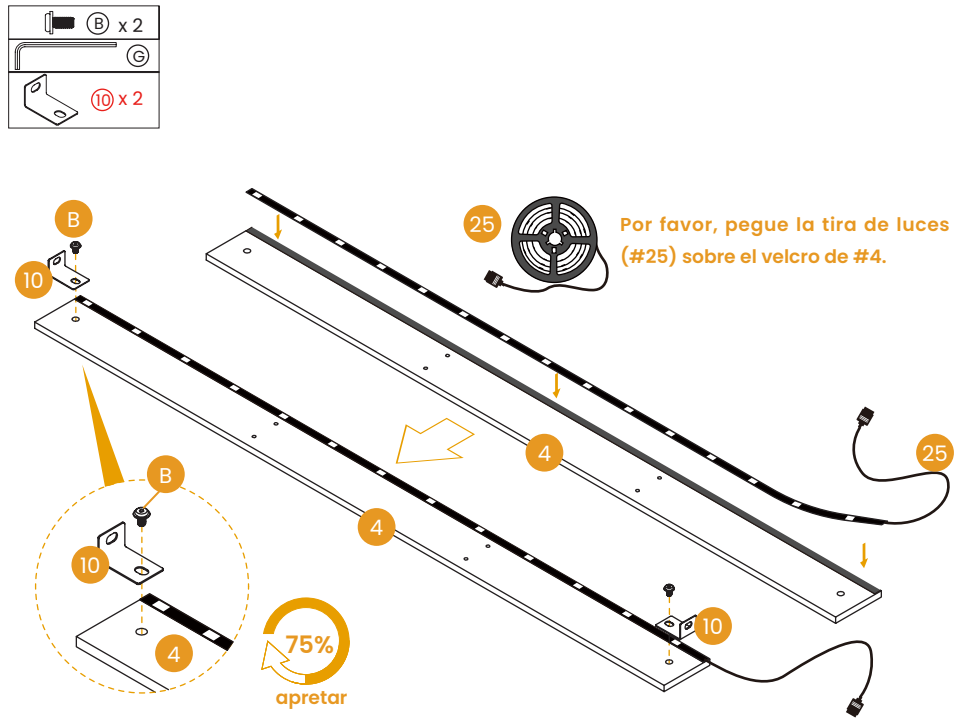
Nota: Apriete todos los Tornillos (J) al 100% en este paso.



INSTRUCCIONES DE MONTAJE

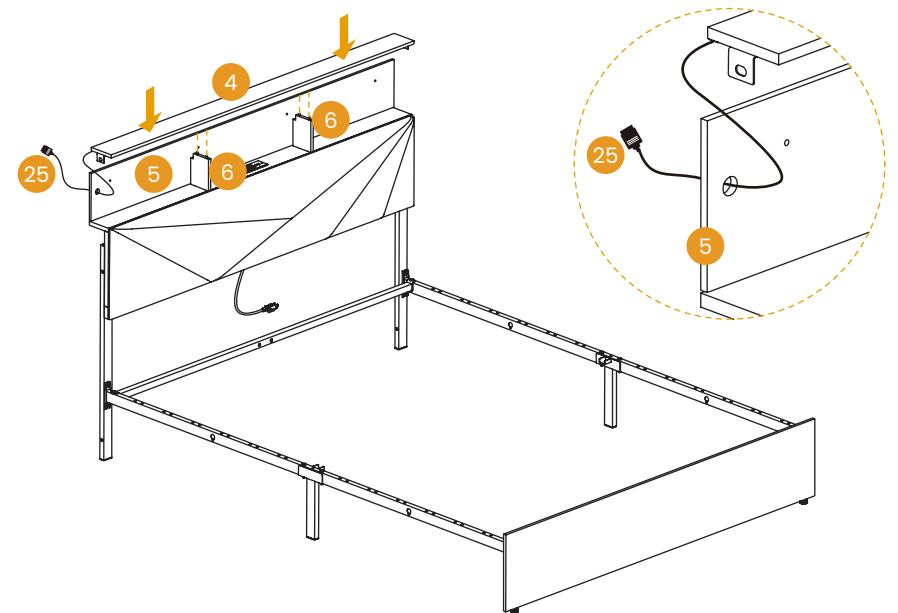
PASO 11 Pegue la Tira de Luces (25) en el velcro de la Placa Superior (4), preste atención a la ubicación del enchufe eléctrico de la tira de luces, puede referirse a la imagen para más detalles. Luego, instale dos Hierros de Conexión (10) en ambos lados de la Placa Superior (4) con dos Pernos (B), usando la Llave (G). Tenga en cuenta que el lado más largo del Hierro de Conexión (10) debe fijarse con pernos, puede referirse a la imagen para más detalles.

Nota: Apriete simplemente los Pernos (B) al 75% del par de apriete especificado.



INSTRUCCIONES DE MONTAJE

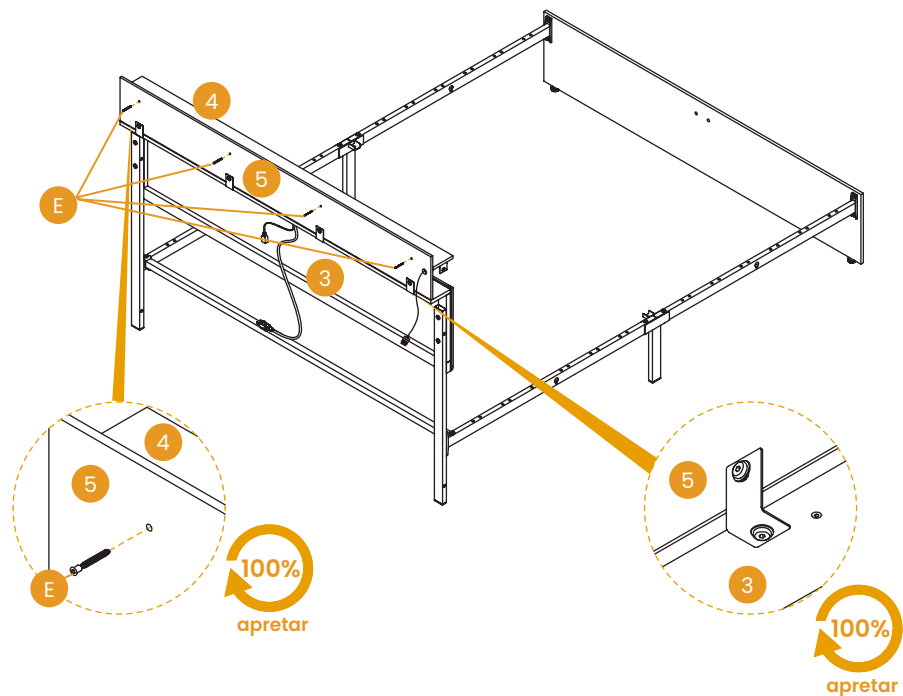
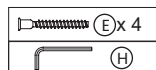
PASO 12 Coloque la Placa Superior (4) en posición vertical hacia abajo e inserte el enchufe eléctrico de la tira de luz a través del orificio pequeño en el borde de la Placa de Conexión (5).



INSTRUCCIONES DE MONTAJE

PASO 13 Alinee los agujeros de los pernos en la Placa Superior (4) con los agujeros perforados en la Placa de Conexión (5) y fíjelos con cuatro Tornillos (E), usando la Llave (H).

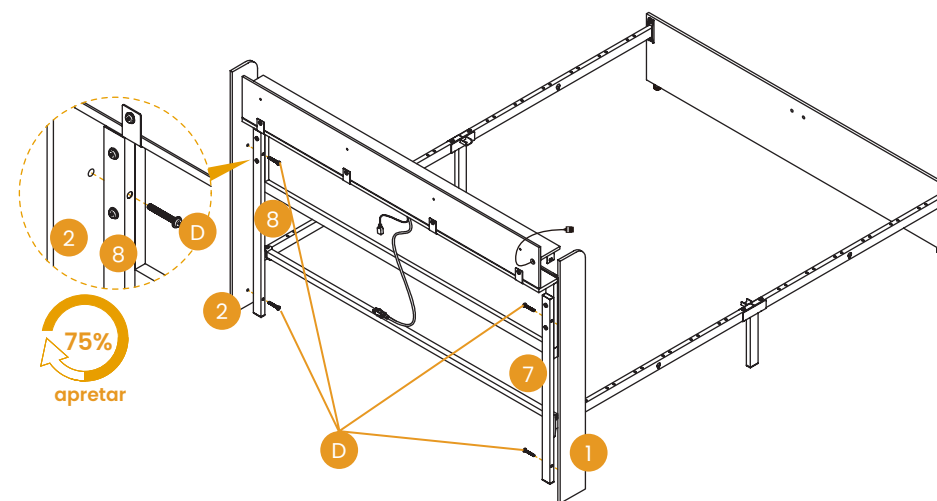
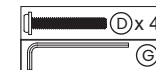
Nota: Apriete todos los Tornillos (E) y los Pernos (B) en el Hierro de Conexión (10) al 100% en este paso.



INSTRUCCIONES DE MONTAJE

PASO 14 Alinee los agujeros de los pernos en el Tablero de Soporte Lateral Derecho (1) con los agujeros perforados en la Columna de Soporte Lateral Derecho (7) y fíjelos con dos Pernos (D), usando la Llave (G). Los mismos pasos se aplican al Tablero de Soporte Lateral Izquierdo (2) y la Columna de Soporte Lateral Izquierda (8).

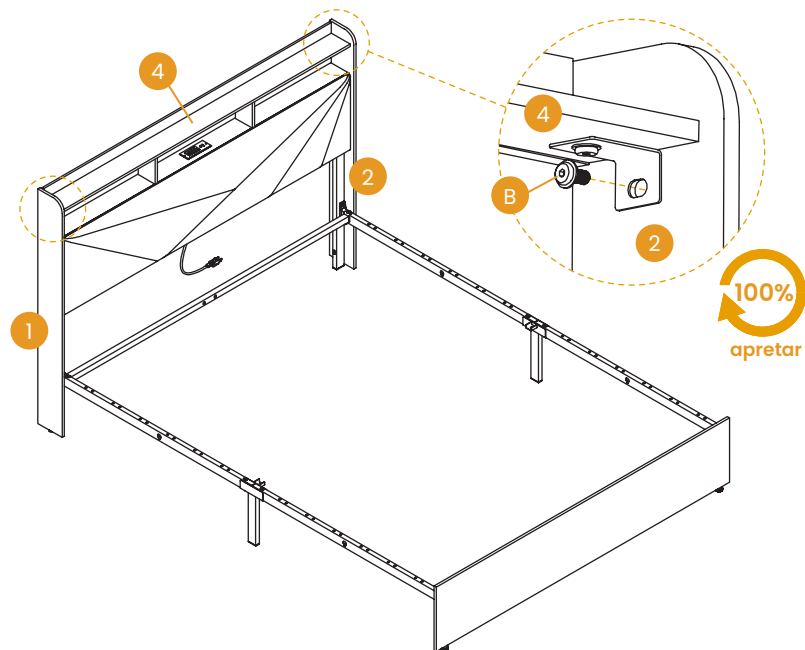
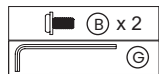
Nota: Apriete simplemente los Pernos (D) al 75% del par de apriete especificado.



INSTRUCCIONES DE MONTAJE

PASO 15 Fije el Hierro de Conexión (10) debajo de la Placa Superior (4) al Tablero de Soporte (1&2) con dos Pernos (B), usando la Llave (G).

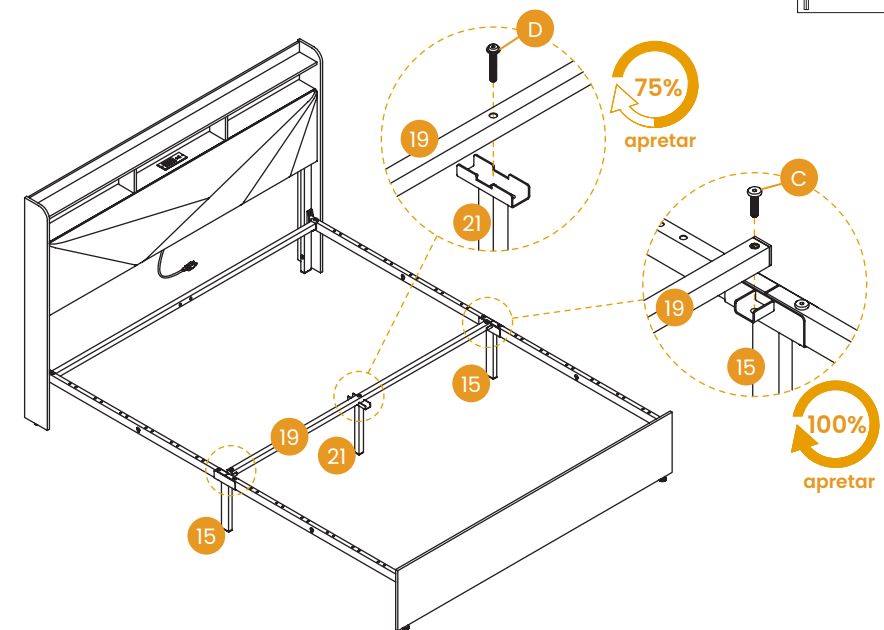
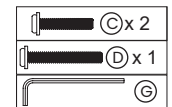
Nota: Apriete todos los Pernos (B) al 100% en este paso.



INSTRUCCIONES DE MONTAJE

PASO 16 Alinee los agujeros de los pernos en el Pilar de Soporte Central (21) con los agujeros perforados en la Viga Transversal Central (19) y fíjelos con un Perno (D), usando la Llave (G). Luego fije ambos lados de la Viga Transversal Central (19) a los dos Pilares de Soporte Lateral (15) con dos Pernos (C), usando la Llave (G).

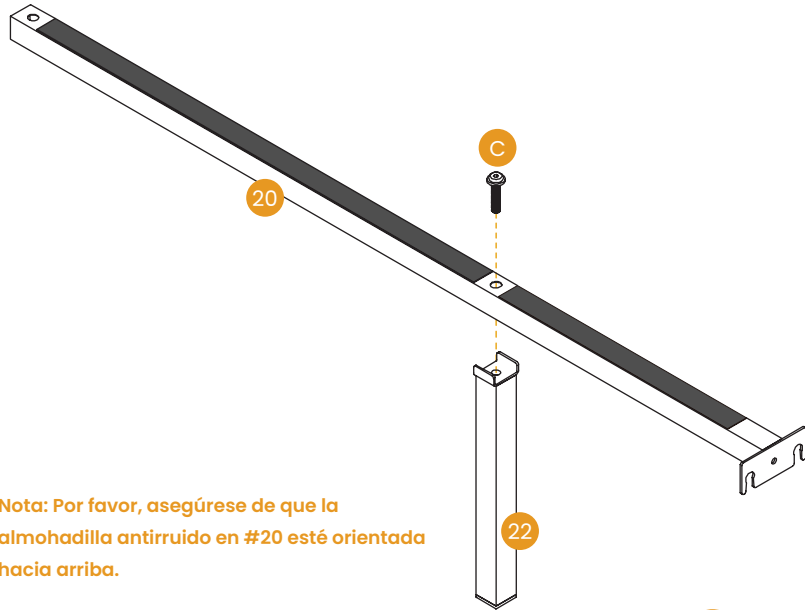
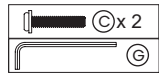
Nota: Apriete el Perno (D) al 75% y los Pernos (C) al 100% en este paso.



INSTRUCCIONES DE MONTAJE

PASO 17 Alinee los agujeros de los pernos en el Pilar de Soporte (22) con los agujeros perforados en la Viga Transversal Media (20) y fíjelos con un Perno (C), usando la Llave (G). Repita este paso para obtener otra estructura del mismo tipo.

Nota: Apriete todos los Pernos (C) al 100% en este paso.



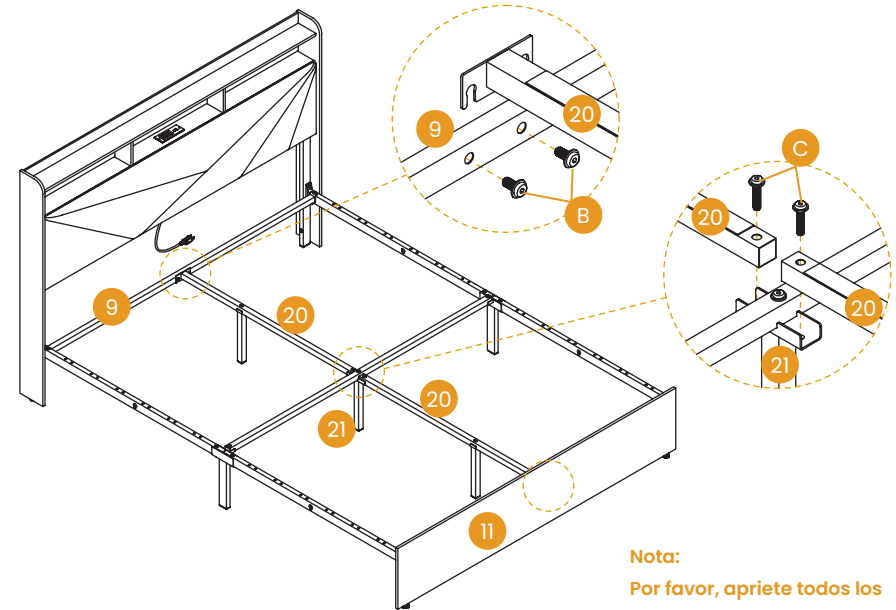
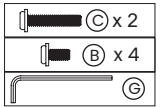
Nota: Por favor, asegúrese de que la almohadilla antirruido en #20 esté orientada hacia arriba.

x2

INSTRUCCIONES DE MONTAJE

PASO 18 Coloque la estructura obtenida en el paso anterior en la posición mostrada en la imagen y fíjela a la Varilla de Soporte Frontal (9) con dos Pernos (B), al Pilar de Soporte Central (21) con un Perno (C). Los mismos pasos se aplican al Tablero del Pie de la Cama (11) y el Pilar de Soporte Central (21).

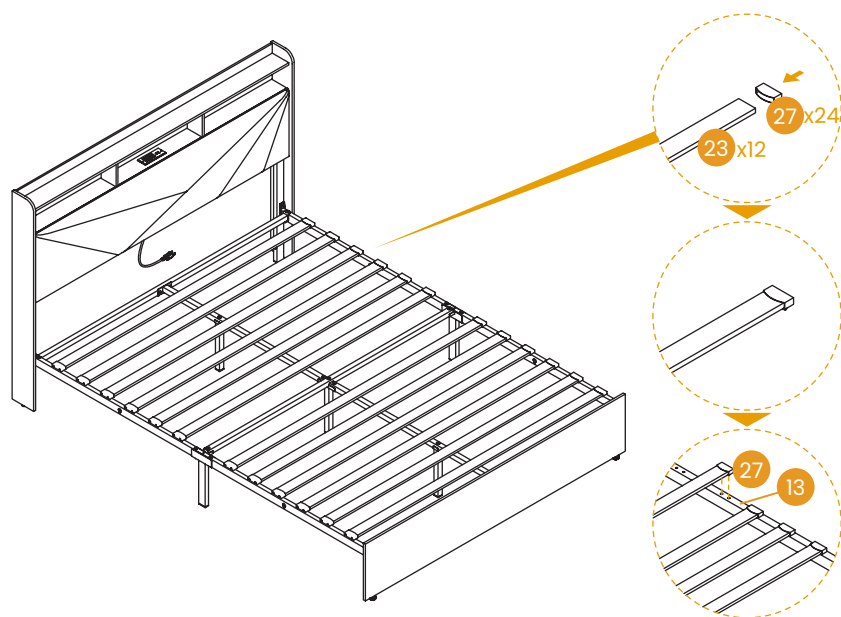
Nota: Apriete todos los Pernos (B&C) al 100% en este paso.



Nota: Por favor, apriete todos los pernos.

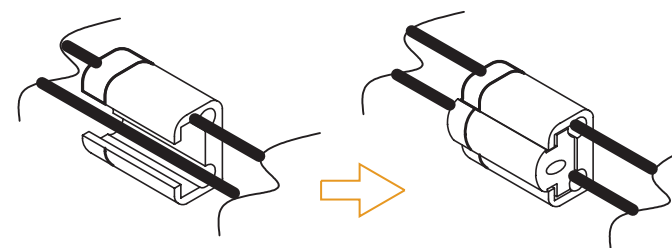
INSTRUCCIONES DE MONTAJE

PASO 19 Coloque las Tapas de Fijación de la Viga Transversal (27) en ambos extremos de cada Viga Transversal (23), luego instale las doce Vigias Transversales (23) en la cama, puede referirse a la imagen para más detalles.

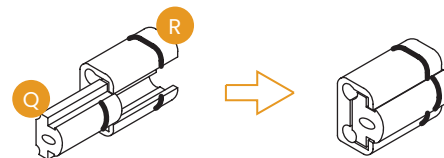


INSTRUCCIONES DE MONTAJE

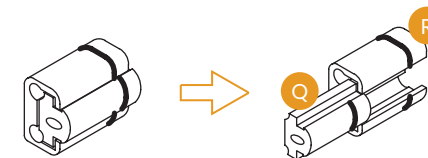
PASO 20 Coloque el tubo de hierro redondo como se muestra para una mejor ensamblaje del cajón.
Esta es la única dirección que se puede bloquear.
Puede tirar de la hebilla siguiendo la dirección indicada por la flecha.



Coloque el tubo de hierro redondo como se muestra para un mejor ensamblaje del cajón.






Esta es la única dirección que se puede bloquear.

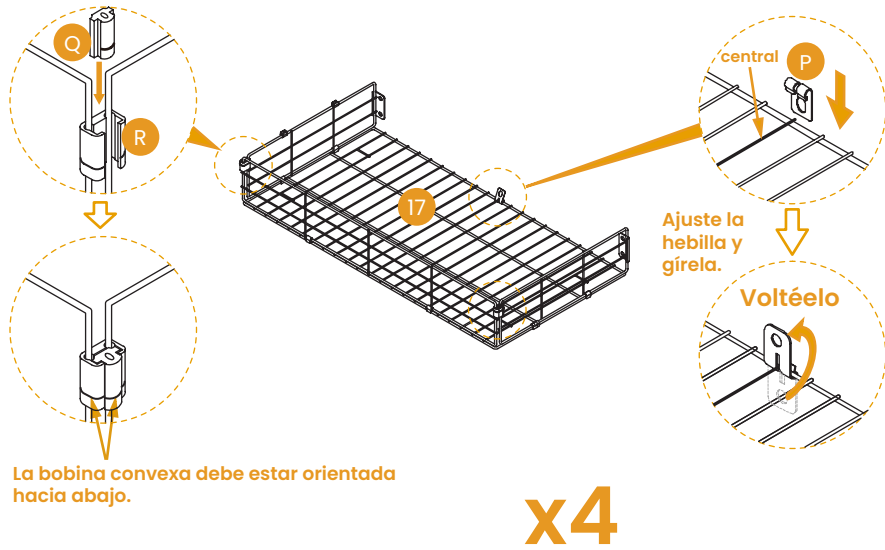


Puede sacar la hebilla siguiendo la dirección indicada por la flecha.

INSTRUCCIONES DE MONTAJE

PASO 21 Use el método del paso anterior para asegurar las dos esquinas del cajón con dos Hebillas (Q) y dos Tubos de Hierro Redondo (R), luego instale la Parte Perforada (P) en el lado central del cajón. Tenga en cuenta que debe colocar la Parte Perforada (P) de pie. Repita este paso para obtener otras tres estructuras del mismo tipo.

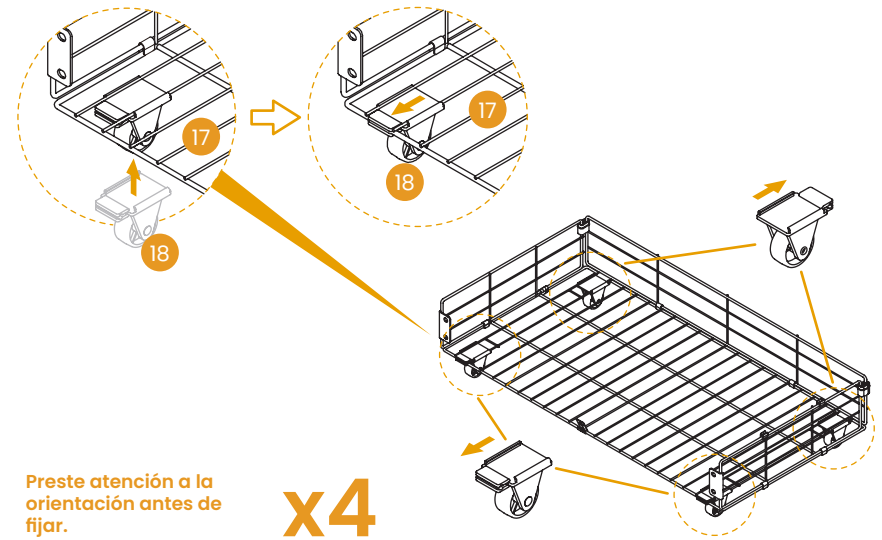
	x 4
	x 8
	x 8



INSTRUCCIONES DE MONTAJE

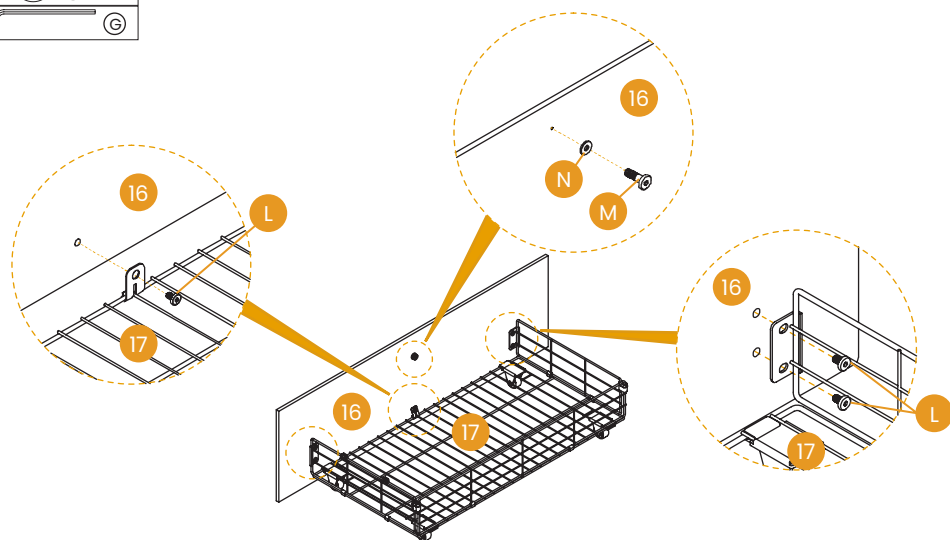
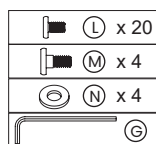
PASO 22 Instale las cuatro Ruedas (18) en la dirección correcta en la parte inferior del Cajón (17). Repita este paso para obtener otras tres estructuras del mismo tipo.

	x16
---	-----



INSTRUCCIONES DE MONTAJE

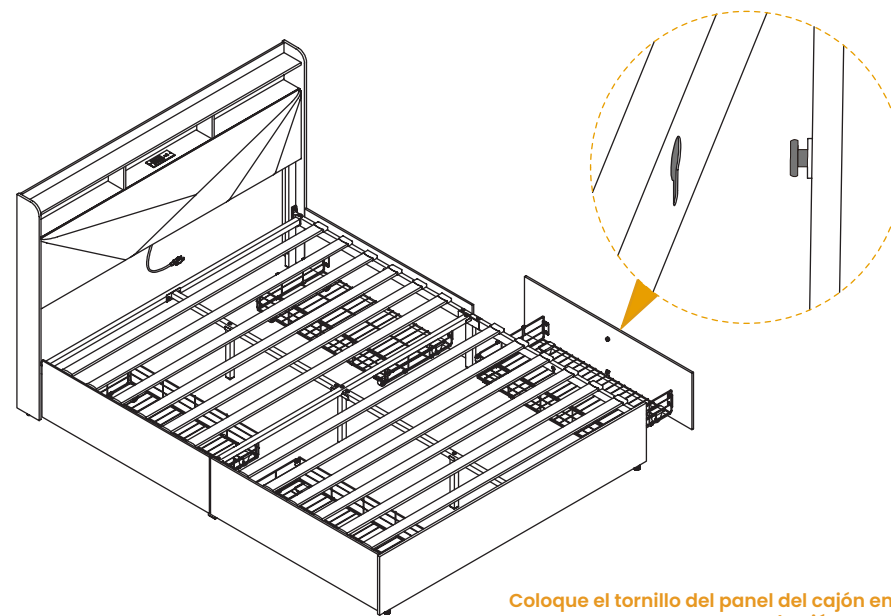
PASO 23 Conecte el Cajón (17) al Tablero del Cajón (16) con cinco Pernos (L), tenga en cuenta que hay cuatro pernos en el borde y uno en el centro. Luego inserte los Pernos (M) con una Arandela Plana (N) en el Tablero del Cajón (16). Repita este paso para obtener otras tres estructuras del mismo tipo.



x4

INSTRUCCIONES DE MONTAJE

PASO 24 Al cerrar el cajón, el Perno (M) se quedará atrapado en la Varilla de Soporte Lateral (13&14) para ayudar a asegurar el cajón. Al sacar el cajón, simplemente levántelo suavemente.



Coloque el tornillo del panel del cajón en esta ranura para asegurar el cajón.

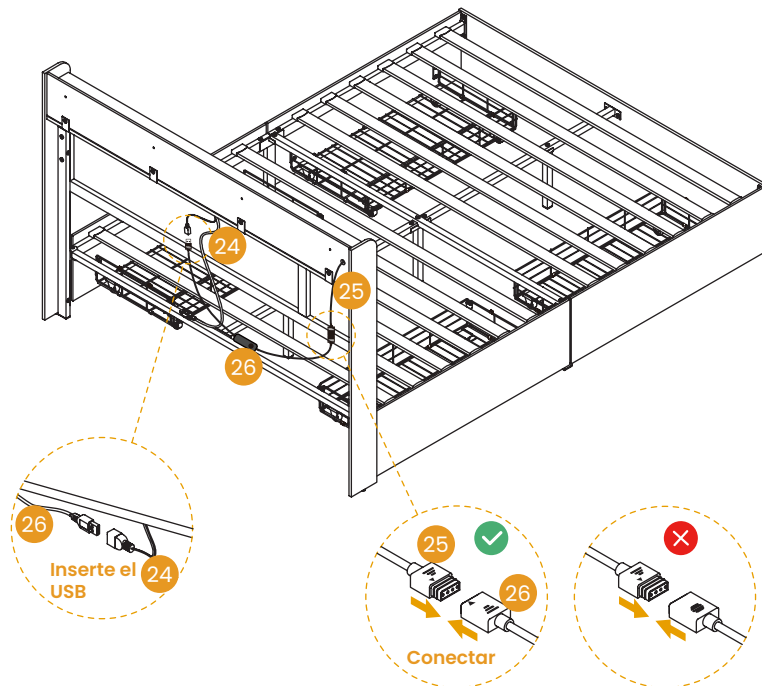
INSTRUCCIONES DE MONTAJE

PASO 25 Conecte los puertos USB de la Regleta de Enchufes (24) y la Unidad de Control Remoto (26) juntos, luego conecte los puertos USB de la Tira de Luces (25) y la Unidad de Control Remoto (26) juntos. Por favor, conecte la interfaz USB en la dirección correcta, puede referirse a la imagen para más detalles.

Nota: Por favor, retire la tarjeta plástica transparente cuando utilice la tarjeta de control remoto para controlar el color de la luz.

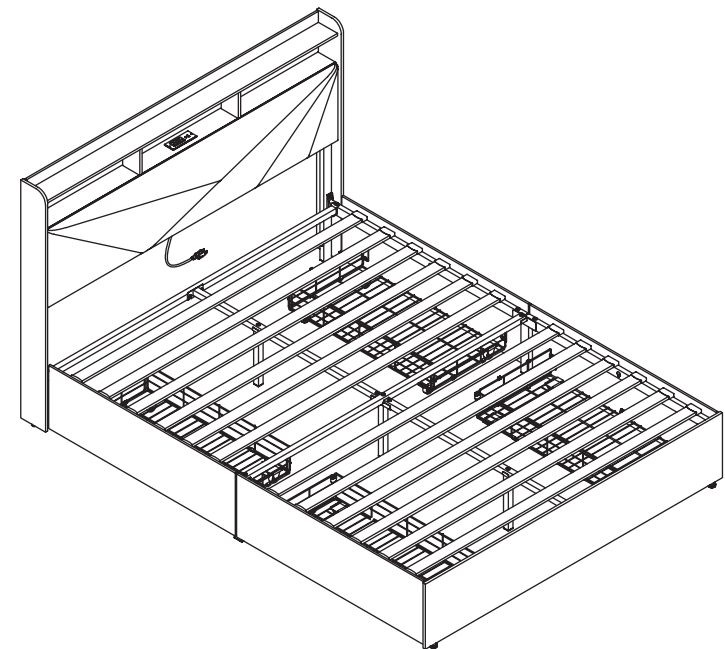


AVISO:  Cuando utilice la tarjeta de control remoto para controlar el color de la luz, por favor retire la tarjeta plástica transparente.



INSTRUCCIONES DE MONTAJE

PASO 26 Ahora, su estructura de cama está instalada con éxito.



GARANTÍA LIMITADA

Prometemos reparar o reemplazar cualquier producto que se considere defectuoso en materiales o mano de obra dentro de un plazo de un año a partir de la fecha de compra original, siempre que usted, el comprador original, siga siendo el propietario. Este es su único y exclusivo recurso bajo esta garantía, sujeto a las disposiciones que se detallan a continuación.

EXCLUSIONES

Esta garantía no se aplica, y ninguna otra garantía se aplica a:

- El desgaste normal, que es de esperar durante el curso de la propiedad.
- El mal uso, abuso o uso excesivo del producto.
- Modificaciones o accesorios del producto que no estén aprobados.
- Productos que no hayan sido instalados, utilizados o mantenidos de acuerdo con las instrucciones y advertencias del producto.
- Productos utilizados para fines de alquiler o actividades comerciales no autorizadas.

Uso del producto: El uso normal del producto se define como equivalente a un solo turno, una semana laboral de cuarenta (40) horas. Si el producto se utiliza de una manera que exceda esto, el período de garantía aplicable se reducirá proporcionalmente.

POLÍTICA DE DEVOLUCIONES

Ofrecemos una política de devoluciones de 30 días, lo que significa que todos los productos comprados pueden devolverse dentro de ese plazo. Debe ponerse en contacto con nosotros por correo electrónico o teléfono de atención al cliente dentro de los 30 días posteriores a la recepción del/los producto(s), y deben devolverse sin demoras indebidas.

CONDICIONES:

- Los productos devueltos deben estar en el mismo estado en que fueron recibidos y devueltos en su embalaje original.
- Si el producto no es defectuoso (por ejemplo, si cambia de opinión o no está satisfecho con el producto por otra razón), usted será responsable del costo del envío de devolución. Debe asegurarse de que el paquete nos llegue en condiciones seguras, por lo que recomendamos utilizar un servicio de mensajería que ofrezca seguimiento.

GARANTÍA LIMITADA

- Si el producto es defectuoso al momento de recibirlo, por favor contáctenos y le asistiremos con la devolución, cubriendo en este caso los gastos de envío.
- Nos reservamos el derecho de ofrecer reembolsos parciales por productos devueltos que no se encuentren en condición de no uso, que estén dañados o que tengan piezas faltantes no atribuibles a nuestro error.

CÓMO FUNCIONAN LAS DEVOLUCIONES

Para solicitar una devolución, adjunte una copia de su factura como comprobante de compra, junto con el motivo de la devolución.

Le proporcionaremos la dirección de devolución del producto lo antes posible. Una vez recibido e inspeccionado el producto devuelto, le daremos una resolución específica.

Si la devolución es aprobada, el importe del reembolso será acreditado automáticamente a su método de pago original.

INSTRUCCIONES DE MANTENIMIENTO

Quite el polvo y limpie los derrames de inmediato utilizando un paño limpio, sin color y sin pelusa.



Use una solución de jabón neutro y un paño húmedo para eliminar las manchas.



No coloque objetos calientes directamente sobre la superficie del mueble sin una barrera protectora.



Solo para uso en interiores. No coloque el mueble en exteriores.



No coloque los muebles bajo la luz solar directa.



No escriba sobre la superficie del mueble sin una protección acolchada.



No limpie los muebles con limpiadores agresivos ni pulidores.



No coloque los muebles cerca de salidas de calefacción o ventilación (mantenga al menos 1 metro de distancia).



You  | ASSEMBLY VIDEO

+1(888) 868-6849
maloservice@hotmail.com