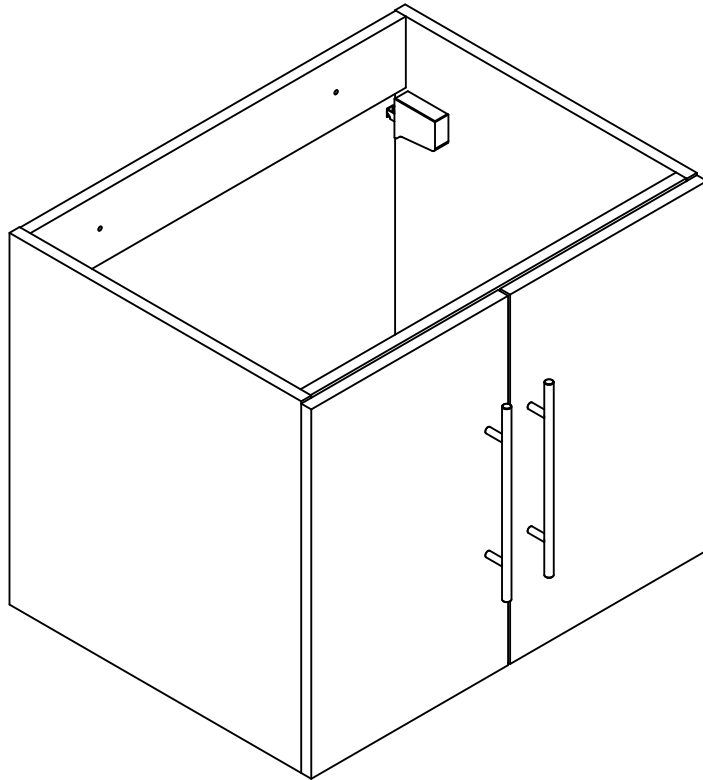



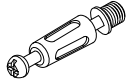
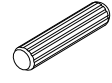

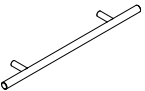

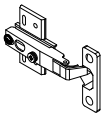
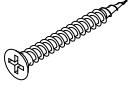
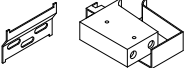

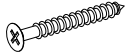

# HN194-60

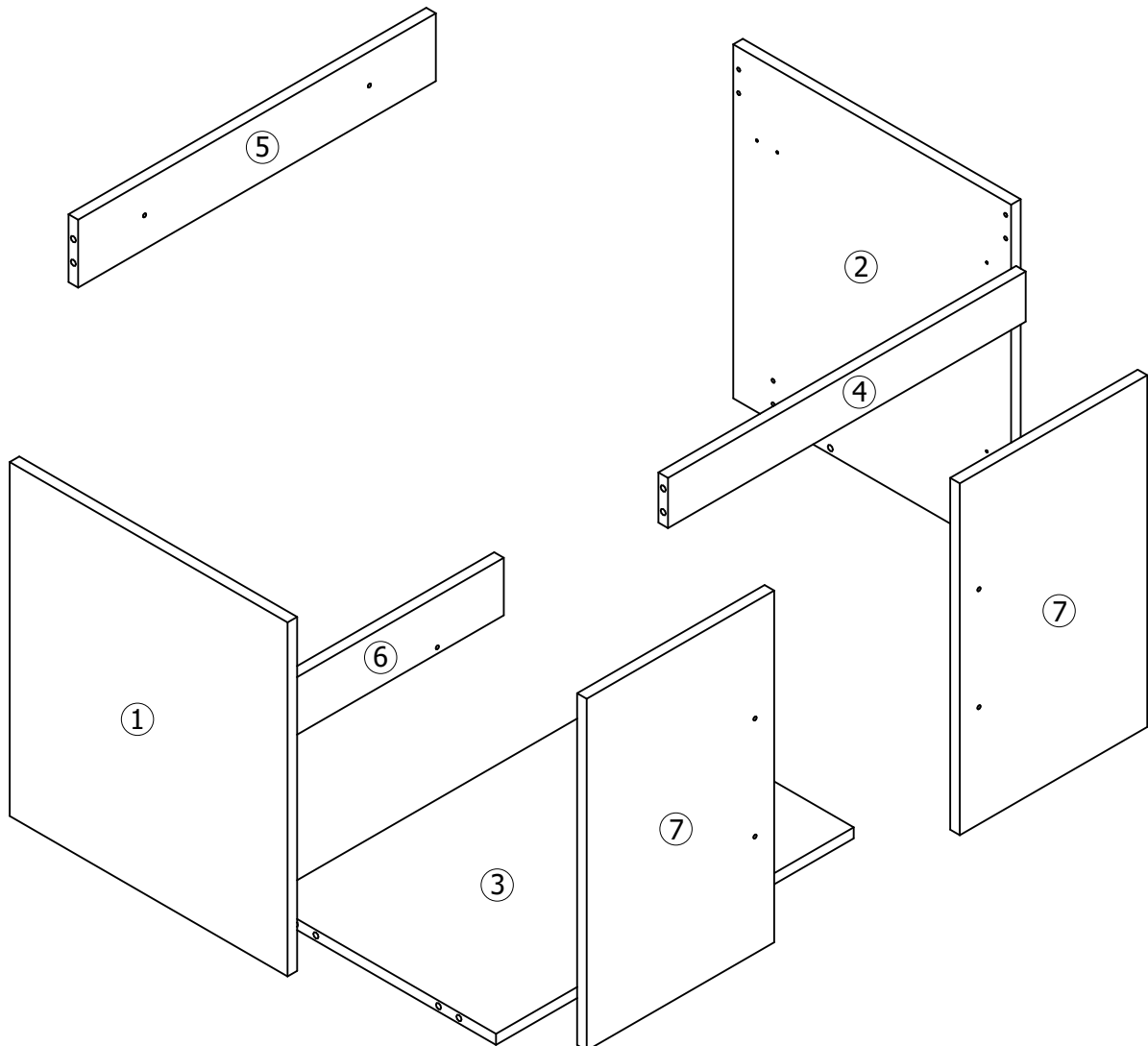
---

## Assembly Instructions



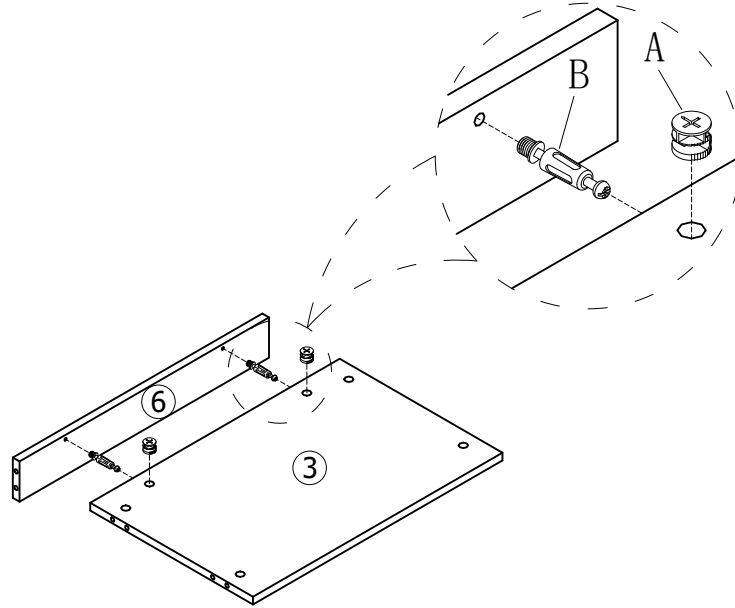
# Assembly Instructions

<p>Ø15x11</p>  <p>A x 18</p>	<p>Ø7x35</p>  <p>B x 18</p>	<p>Ø8x30</p>  <p>C x 4</p>	<p>Ø3.5x14</p>  <p>D x 24</p>
 <p>E x 2</p>	<p>M4x20</p>  <p>F x 4</p>	<p>Full overlay hinge</p>  <p>G x 4</p>	<p>Ø3.5x30</p>  <p>H x 4</p>
 <p>I x 2</p>	<p>Ø7.8x38</p>  <p>J x 8</p>	<p>Ø5x50</p>  <p>K x 6</p>	<p>Ø5x70</p>  <p>L x 2</p>



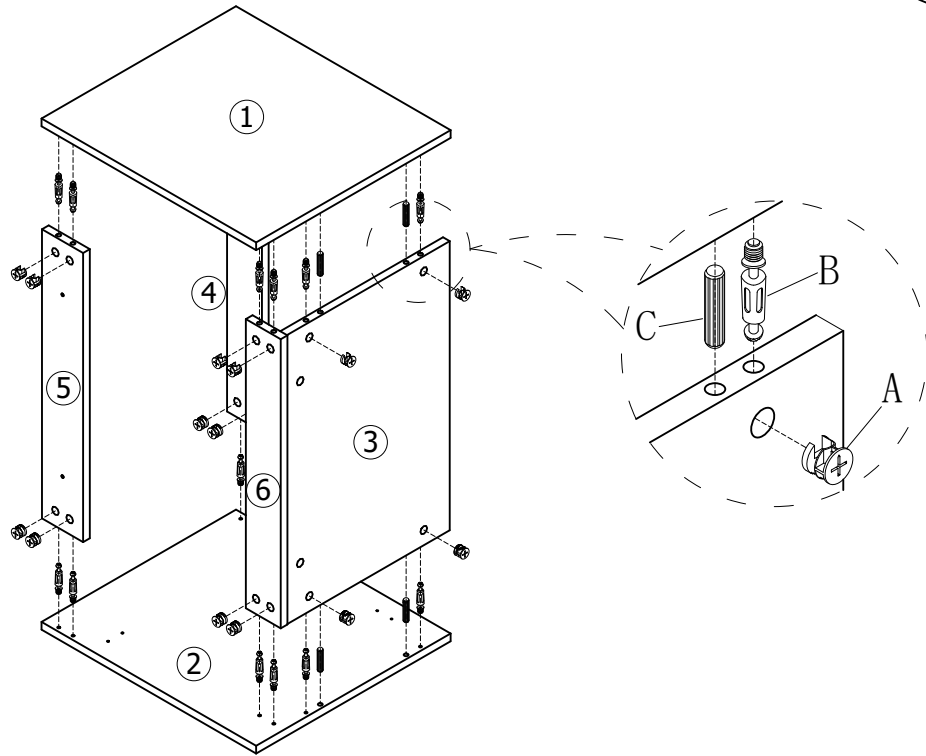
STEP 1

Ax2  
Bx2



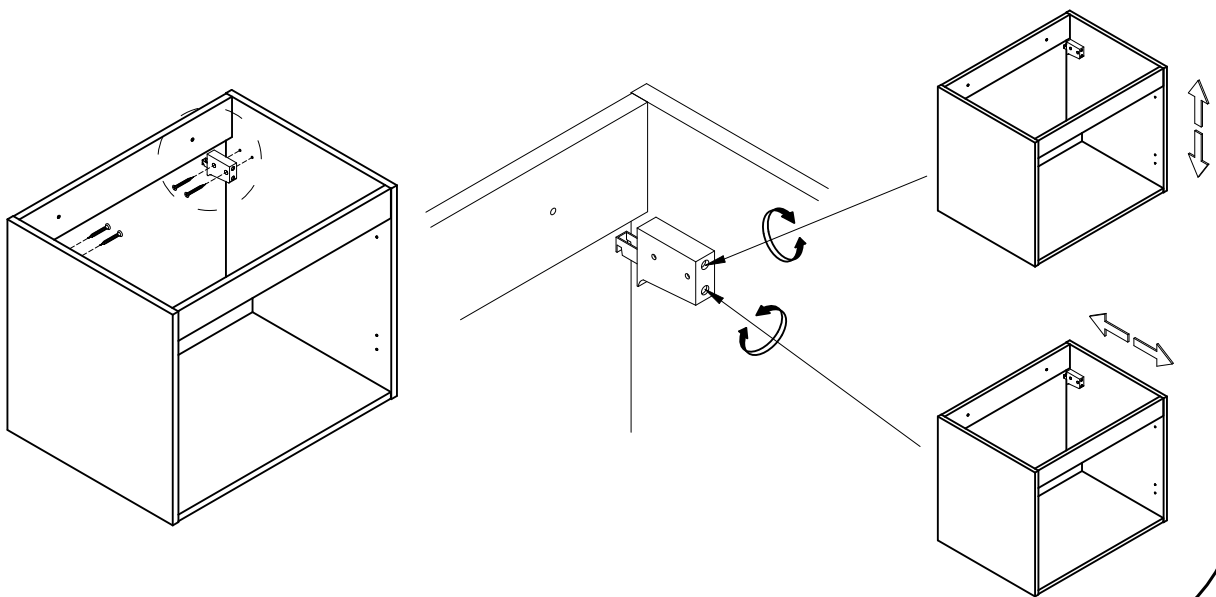
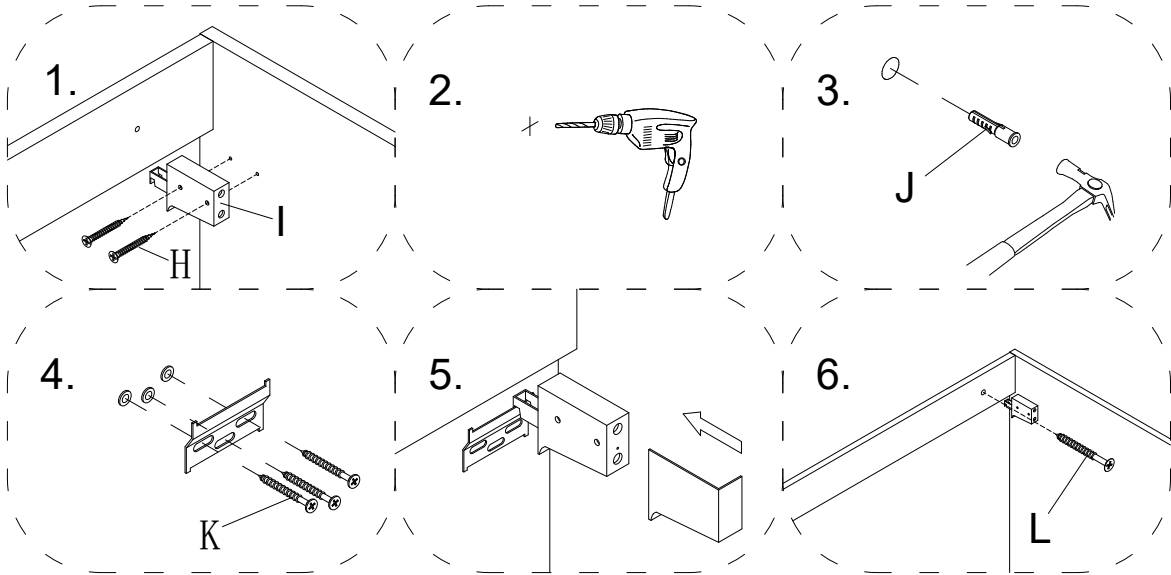
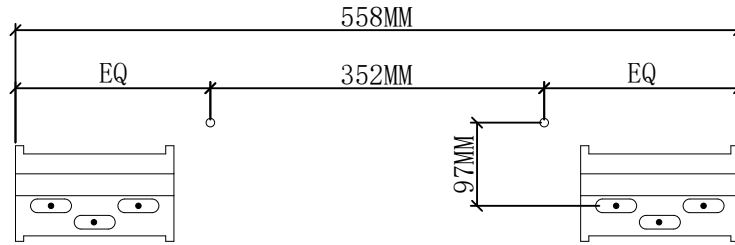
STEP 2

Ax16  
Bx16  
Cx4



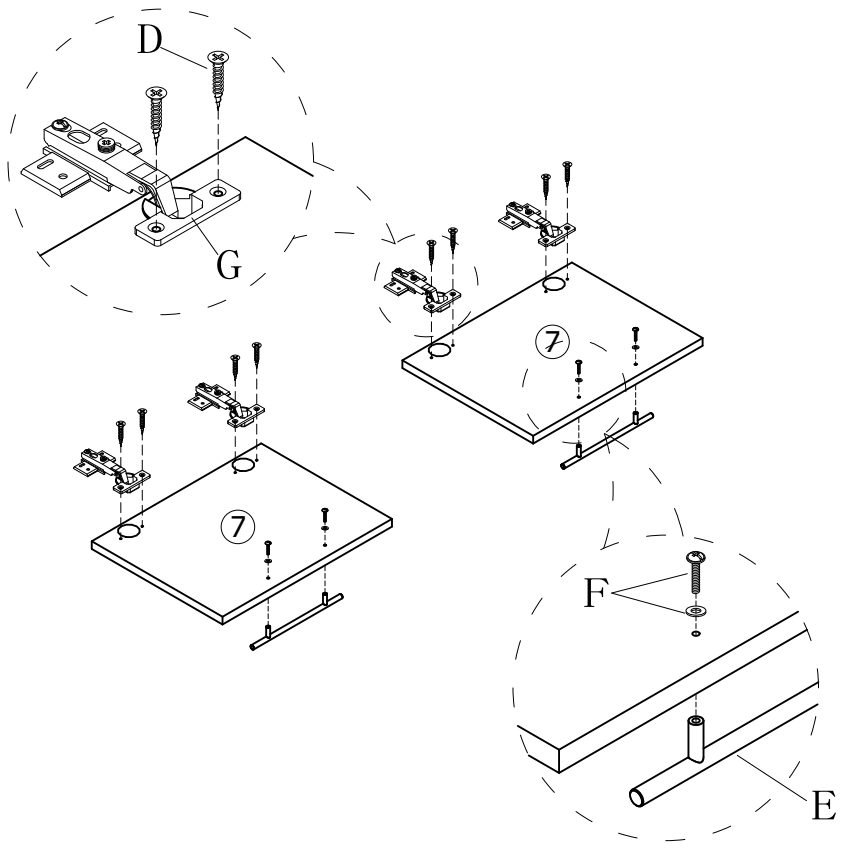
# STEP 3

Hx4  
Ix2  
Jx8  
Kx6  
Lx2



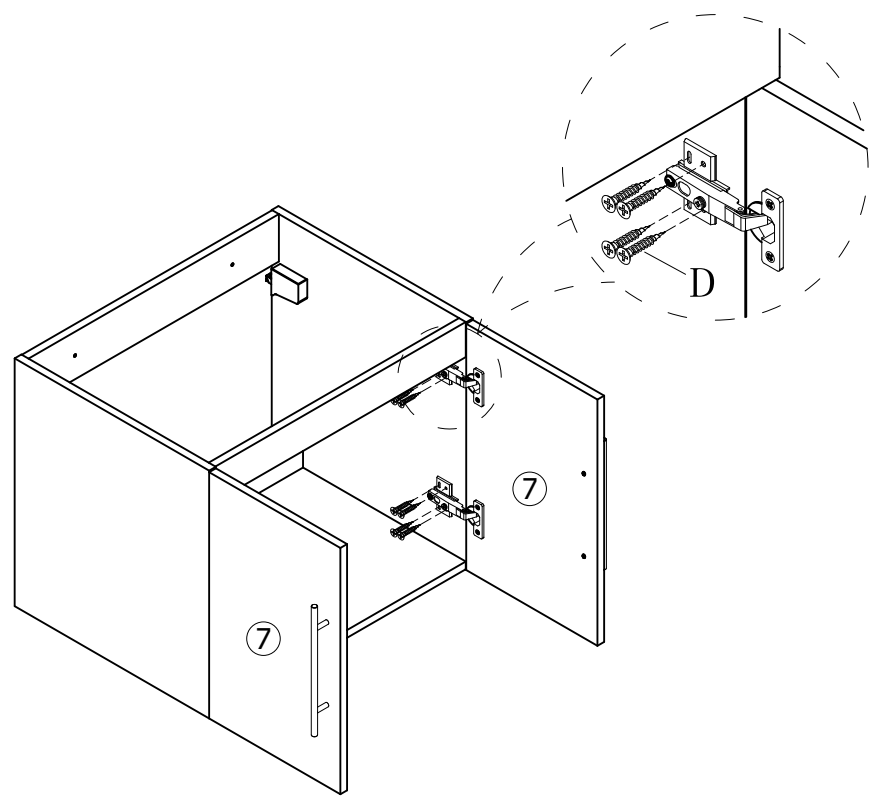
STEP 4

Dx8  
Ex2  
Fx4  
Gx4

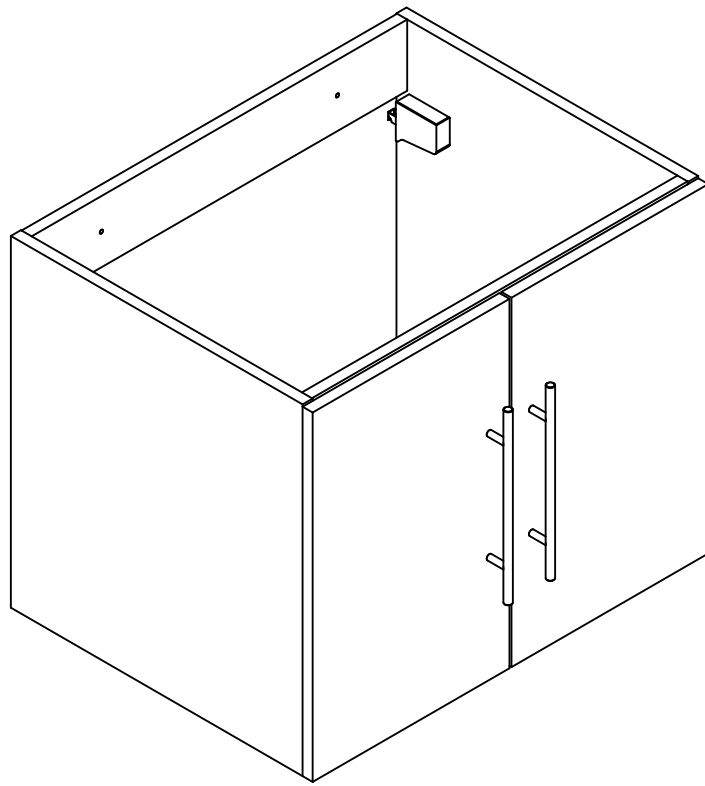


STEP 5

Dx16



STEP 6



FINISH