

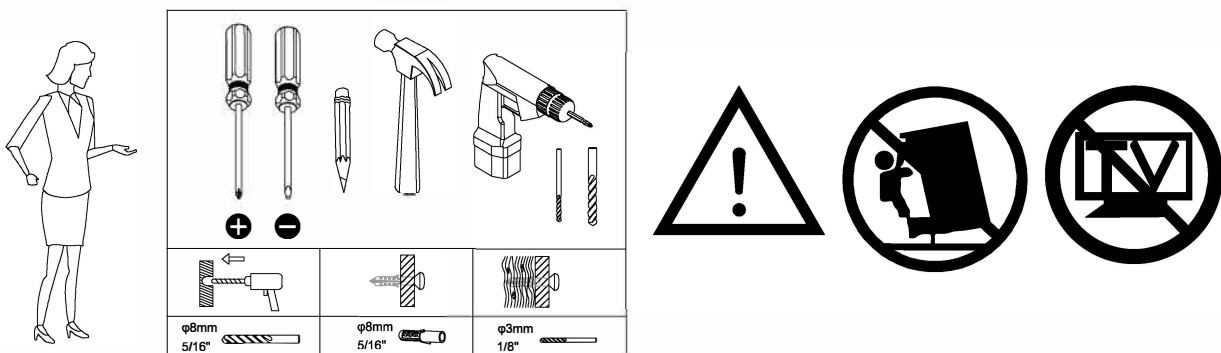
Assembly Instruction



Important reminder:

- △ Please sort and check all accessories before assembly.
- △ Please place the product on empty cardboard box or carpet to avoid scratches on it.
- △ Please use proper tools for assembly. Using an electric screwdriver can accelerate the assembly speed, but please do not overtighten the screws.
- △ Please follow the assembly steps and do not skip any of them.
- △ If possible, please find a partner to help you with assembly, which can accelerate assembly.
- △ Keep all small parts of this product away from children. They may cause serious injury.
- △ We hope you can retighten the screws 2 weeks after assembly, and check the tightening procedure of the screws every 3 months.

If you meet any difficulty, our friendly customer team are always ready to help you.

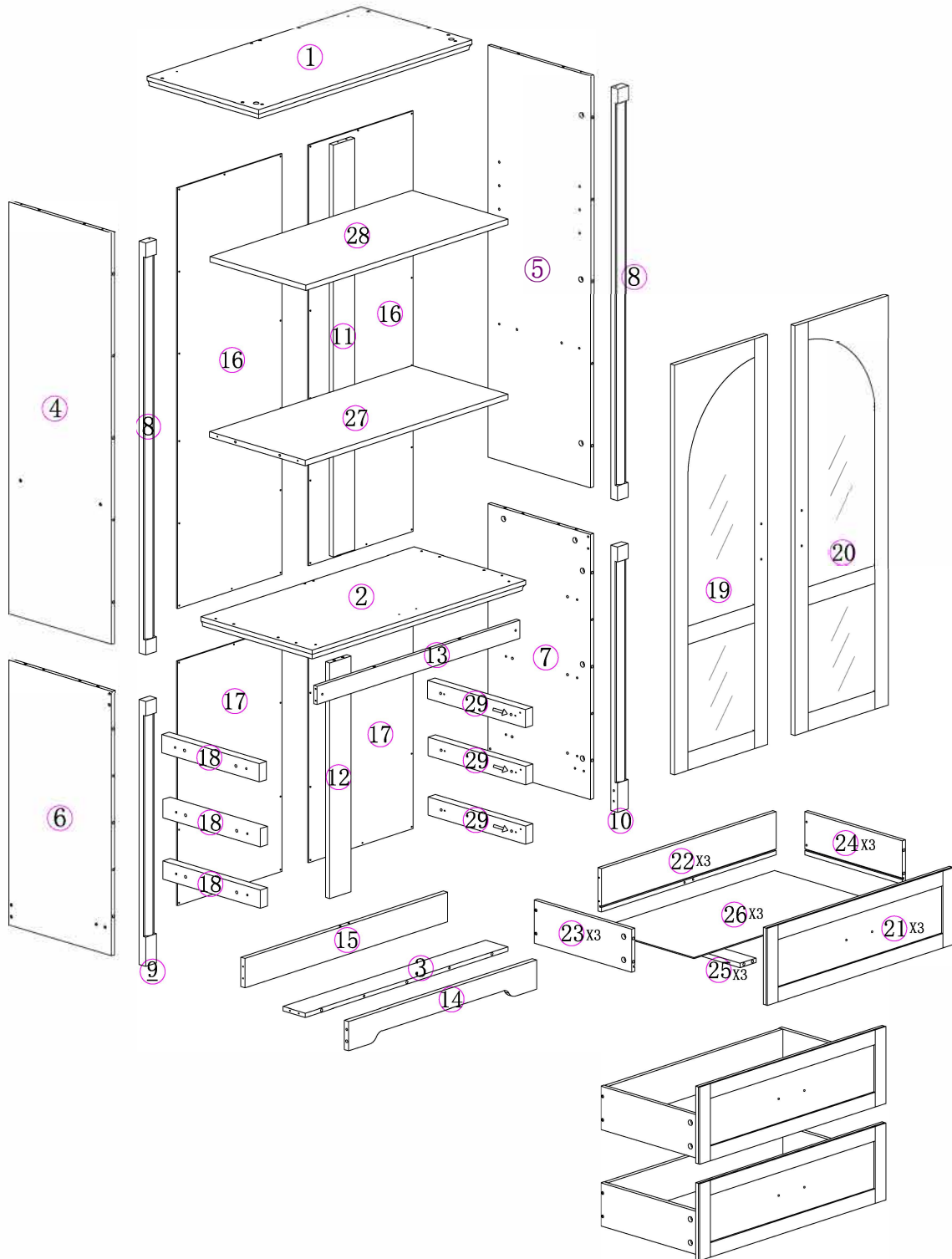


Warning:Overturning the product can cause serious crushing injuries. We have a wall connection device attached, please use it to hold the furniture following assembly instructions. Do not change the structure of this product in way. Our products have been tested and meet any all sales specific security measures. We won't be responsible for any modifications, which may cause significant security risks.

Static charge may cause dust on foam—clean with a dry or damp cloth. Small foam strands may be present—handle gently and dispose of properly. Do not burn or incinerate. Check local recycling guidelines.

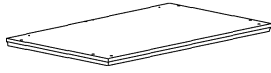
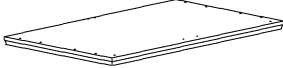
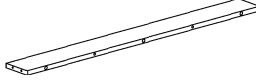

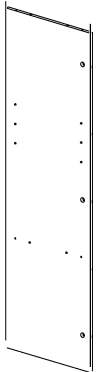

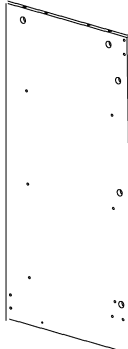







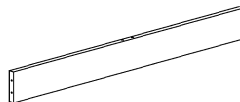
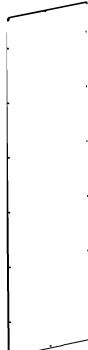
If you encounter any problems during installation, Please contact our customer service.

Explosion Diagram




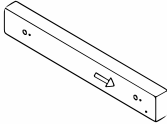
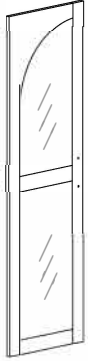
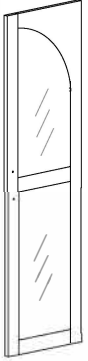
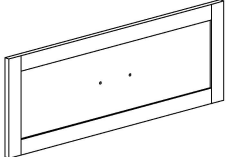
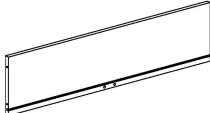
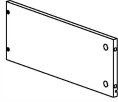
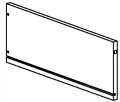


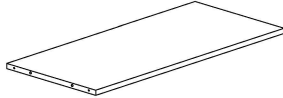
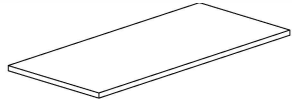
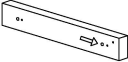
If you encounter any problems during installation, Please contact our customer service.

Parts and Operation Elements

			
① 1Pc	② 1Pc	③ 1Pc	④ 1Pc
			
⑤ 1Pc	⑥ 1Pc	⑦ 1Pc	⑧ 2Pcs
			
⑨ 1Pc	⑩ 1Pc	⑪ 1Pc	⑫ 1Pc
			
⑬ 1Pc	⑭ 1Pc	⑮ 1Pc	⑯ 2Pcs




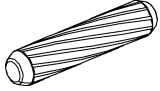
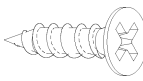

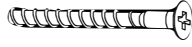


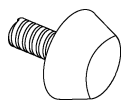
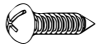
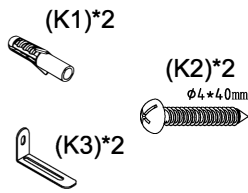
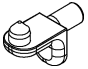
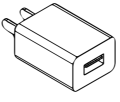

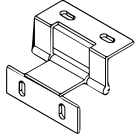
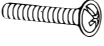
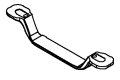
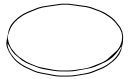
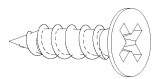

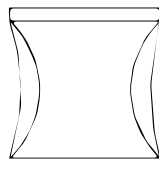


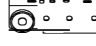

If you encounter any problems during installation, please contact our customer service.

Parts and Operation Elements

							
⑰	2Pcs	⑱	3Pcs	⑲	1Pc	⑳	1Pc
							
⑳	3Pcs	㉑	3Pcs	㉒	3Pcs	㉓	3Pcs
							
㉔	3Pcs	㉕	3Pcs	㉖	1Pc	㉗	1Pc
							
㉘	3Pcs						

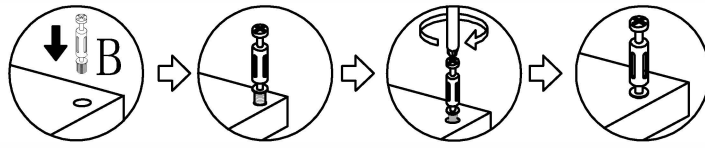
If you encounter any problems during installation, Please contact our customer service.

HardWare

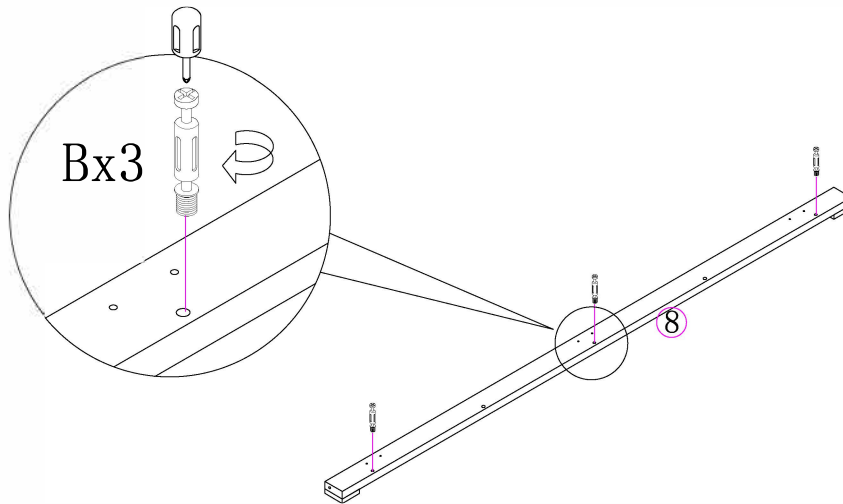
		 $\phi 6 \times 40 \text{mm}$ Cam Bolt		 $\phi 15 \times 9.5 \text{mm}$ Cam Lock		 $\phi 6 \times 30 \text{mm}$	
A	1SET	B	47PCS +4	C	47PCS +4	D	40PCS +4
 $\phi 3.5 \times 12 \text{mm}$		 $M4 \times 30 \text{mm}$		 $M5 \times 40 \text{mm}$		 (H1) x2  (H2) x4	
E	34PCS +3	F	14PCS +2	G	30PCS +3	H	2SETS
 $M6 \times 11 \text{mm}$		 $\phi 3.5 \times 14 \text{mm}$		 (K1)*2 (K2)*2 $\phi 4 \times 40 \text{mm}$ (K3)*2			
I	4PCS	J	54PCS +5	K	2SETS	L	4PCS
						 $M4 \times 13 \text{mm}$	
M	1PC	N	8PCS +2	O	6PCS	P	10PCS +2
				 $\phi 3.5 \times 14 \text{mm}$		 $M5 \times 30 \text{mm}$	
Q	5PCS	R	64PCS +2	S	24PCS +2	T	18PCS +2
 SPARE BAG				14" CR  X3 CL  X3 DR  X3 DL  X3			

If you encounter any problems during installation, Please contact our customer service.

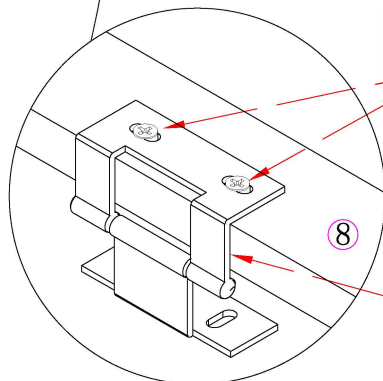
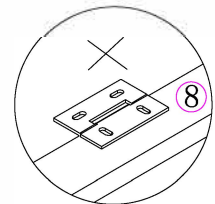
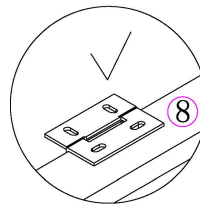
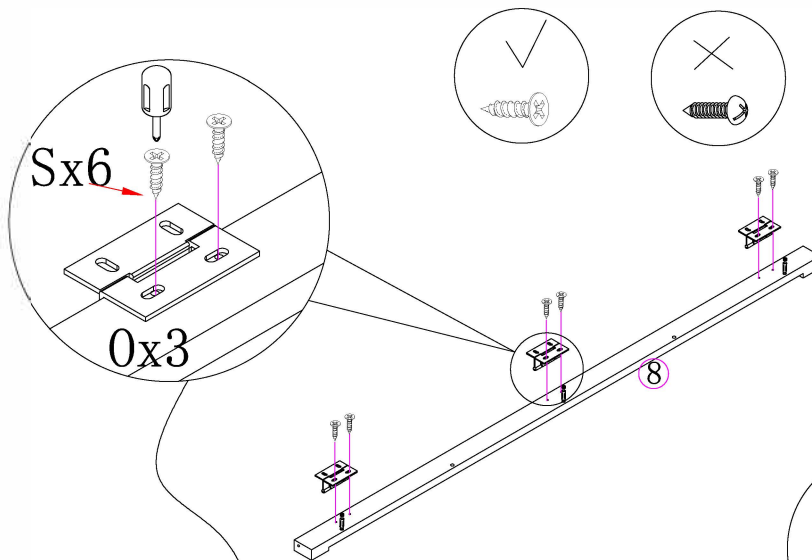
1



X2



Bx6
φ3.5*14mm Sx12
Ox6

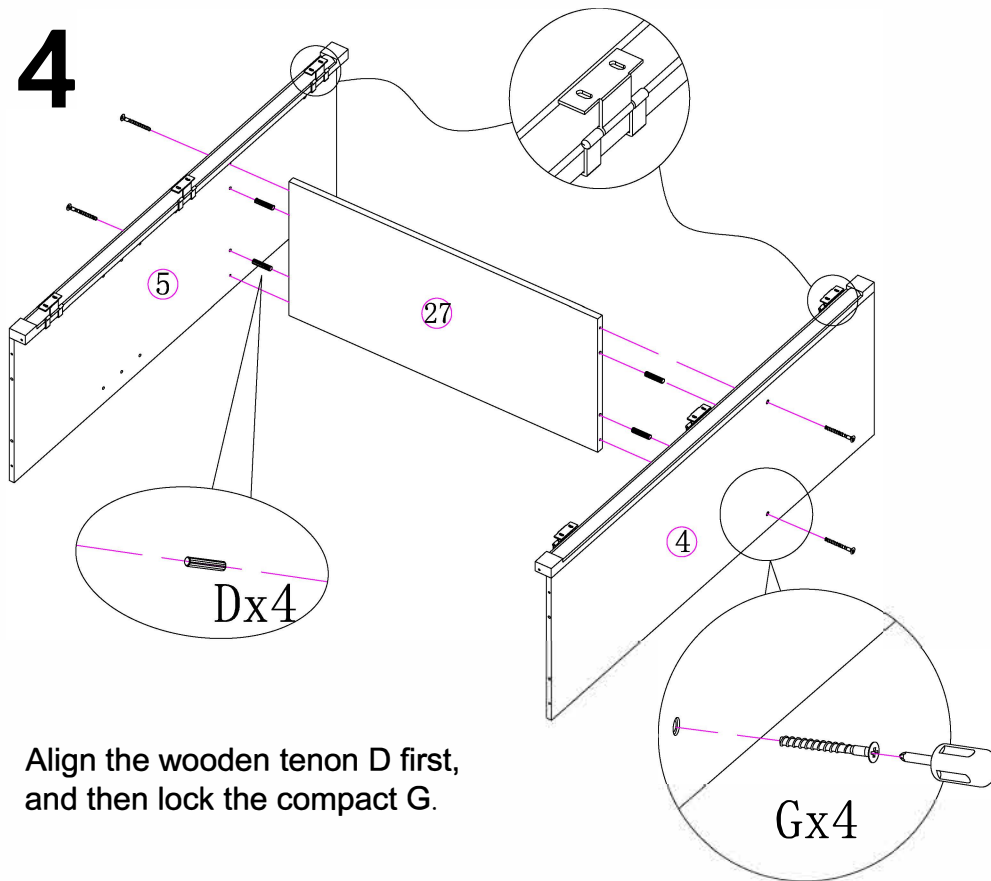


Ensure the screws are driven in at the center to avoid misalignment or shifting of the hinge to one side.



Ensure the hinge is flush against the panel when installing, then secure it with screws.

If you encounter any problems during installation, Please contact our customer service.

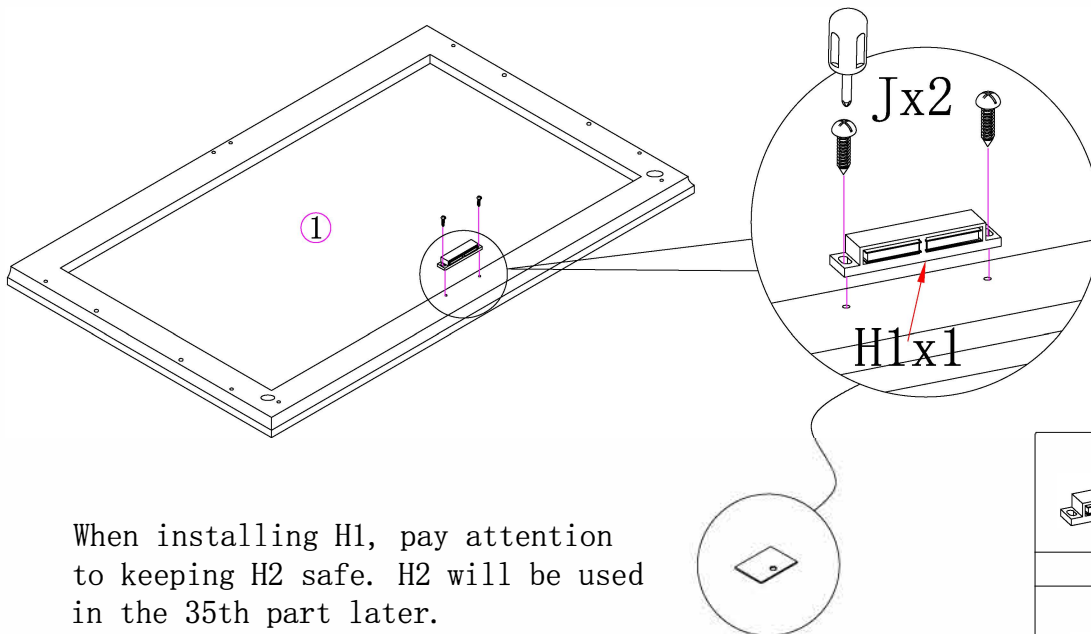
4





Align the wooden tenon D first,
and then lock the compact G.


Dx4

M5*40 Gx4

5

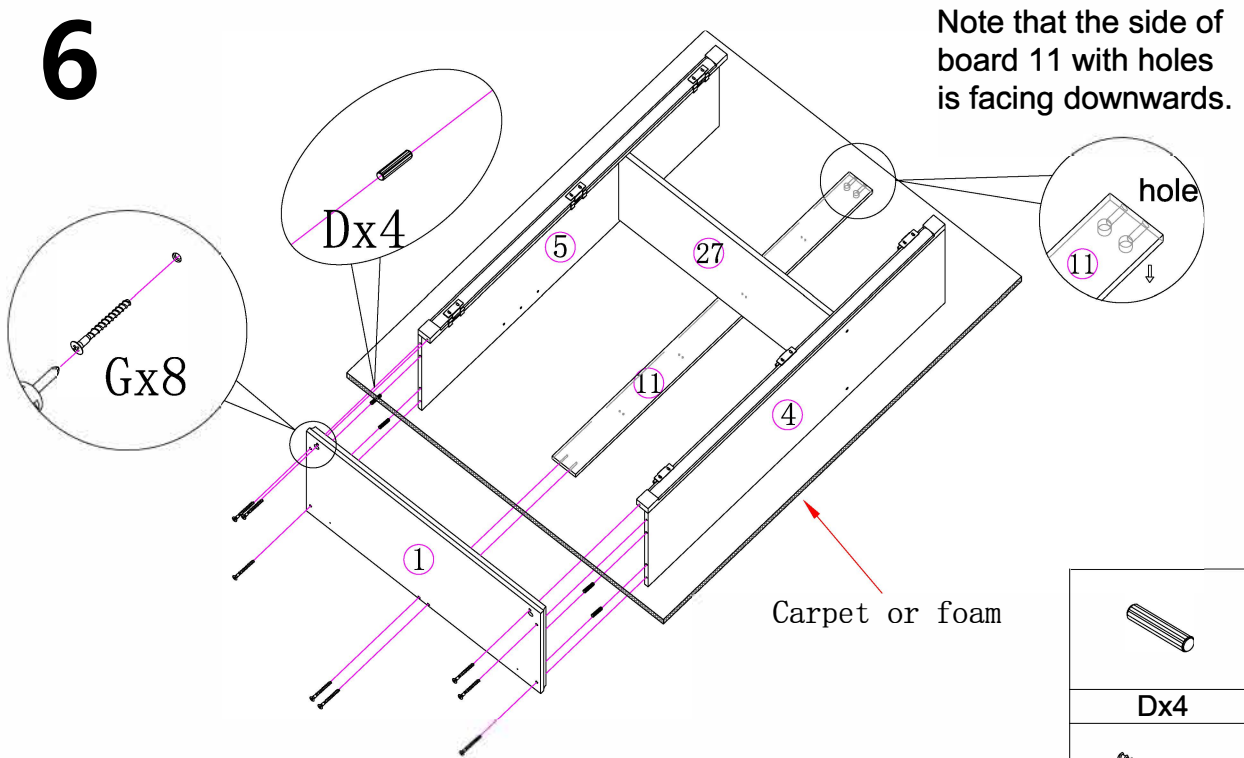


When installing H1, pay attention
to keeping H2 safe. H2 will be used
in the 35th part later.


H1x1

Ø3.5*14mm Jx2

If you encounter any problems during installation, Please contact our customer service.

6

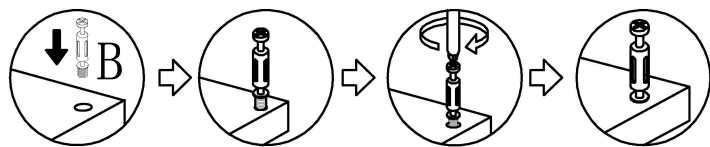
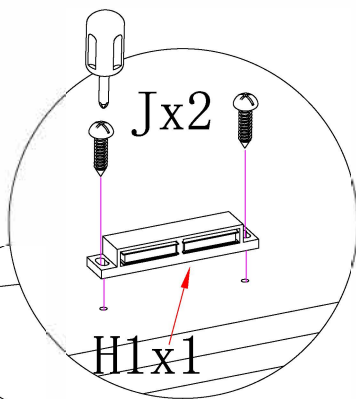
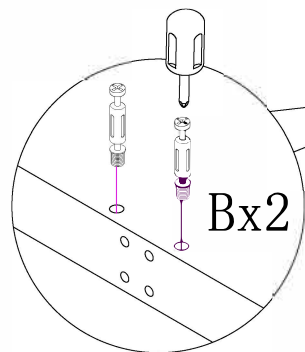
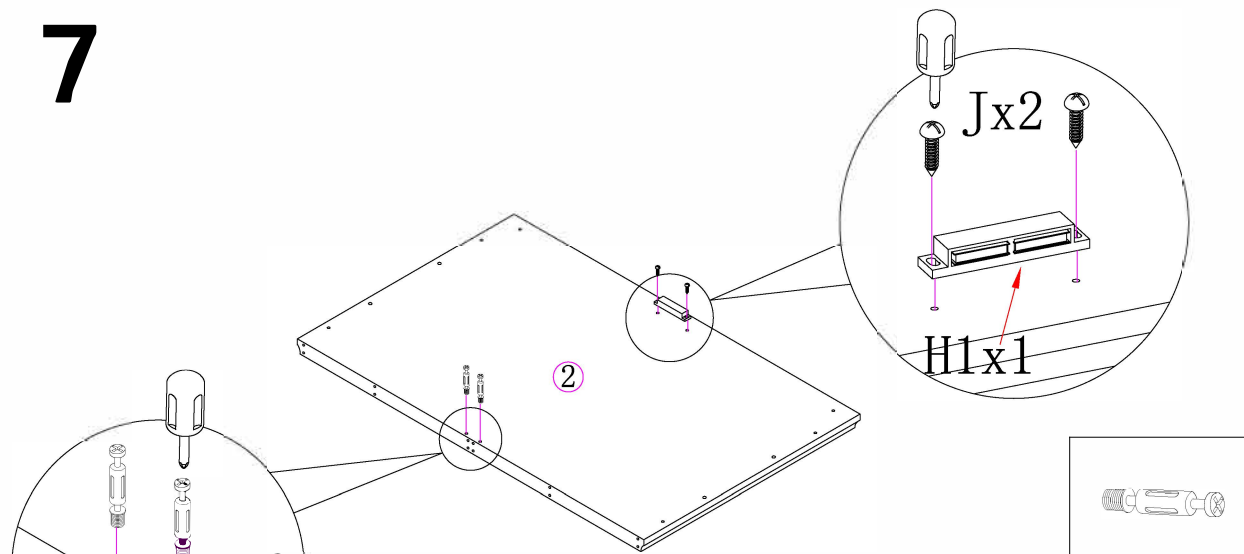


Note that the side of board 11 with holes is facing downwards.

First align the wooden tenon D with the connection, then fix the G lock.

Dx4
M5*4.0
Gx8

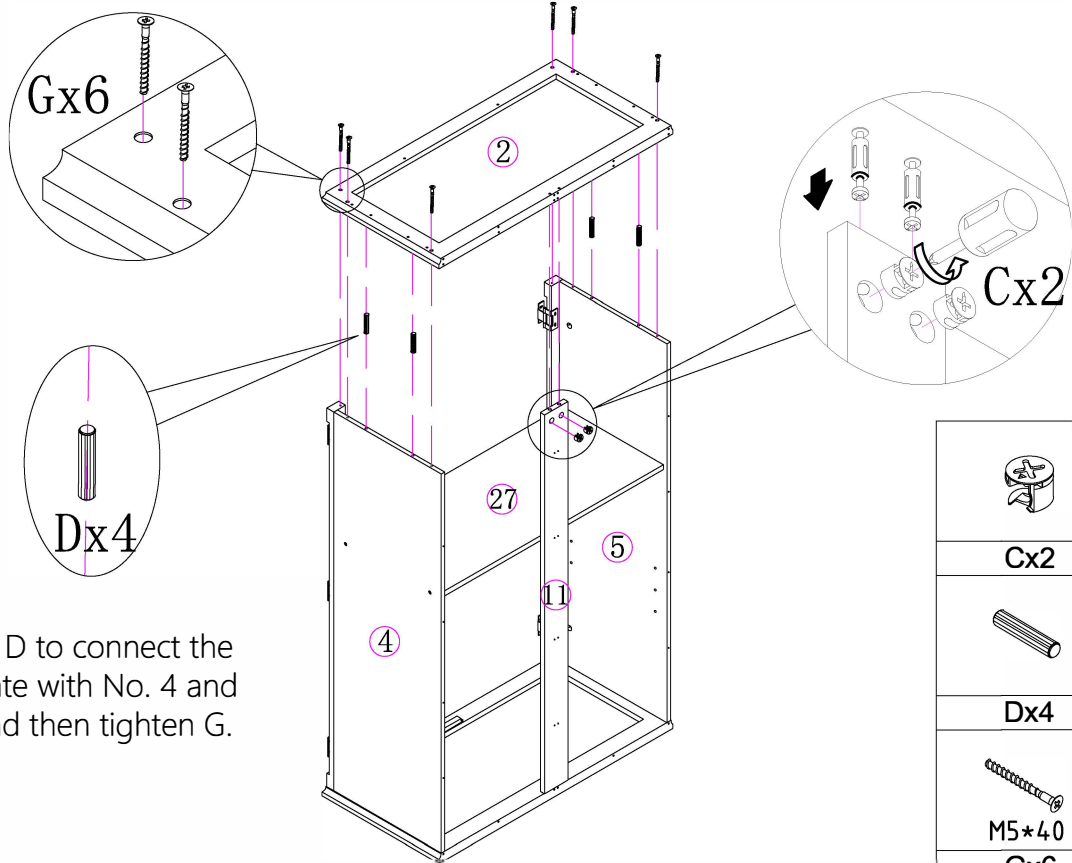
7



Bx2
H1x1
Ø3.5*14mm
Jx2

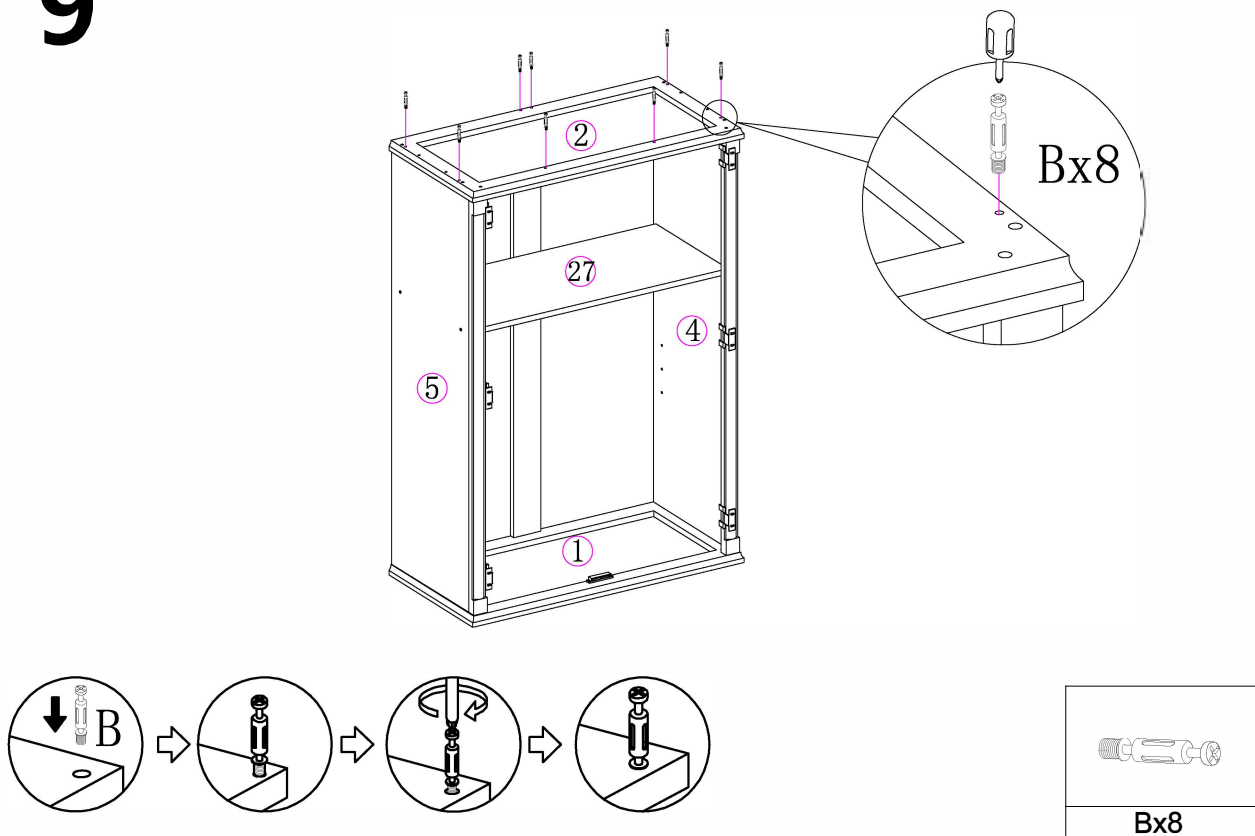
If you encounter any problems during installation, Please contact our customer service.

8



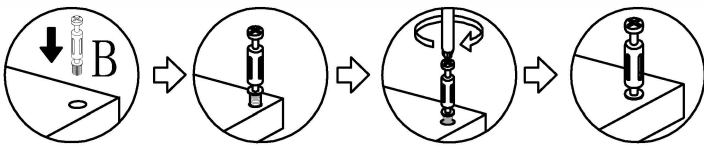
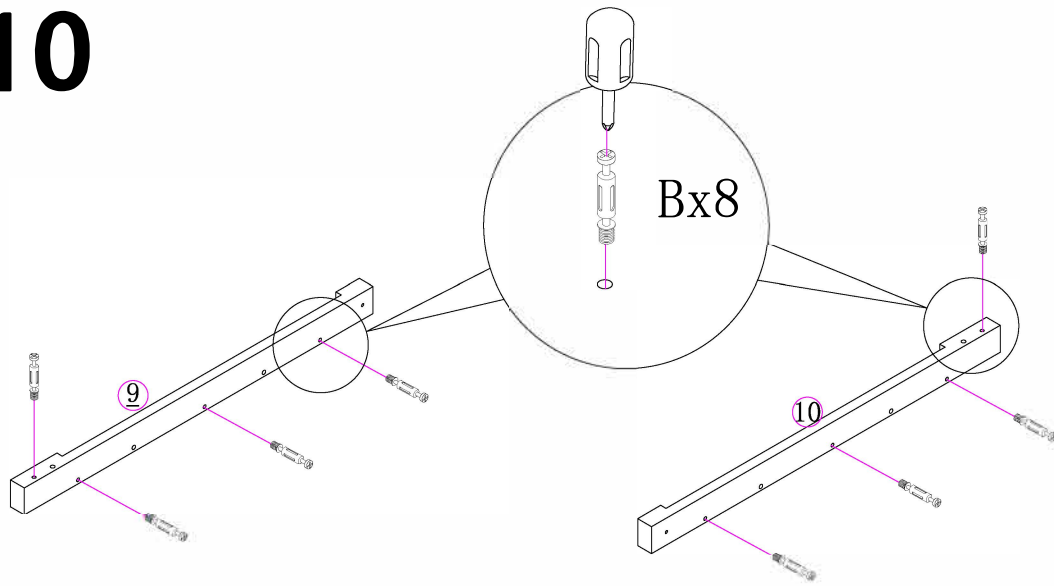
First, use D to connect the No. 2 plate with No. 4 and No. 5, and then tighten G.

9



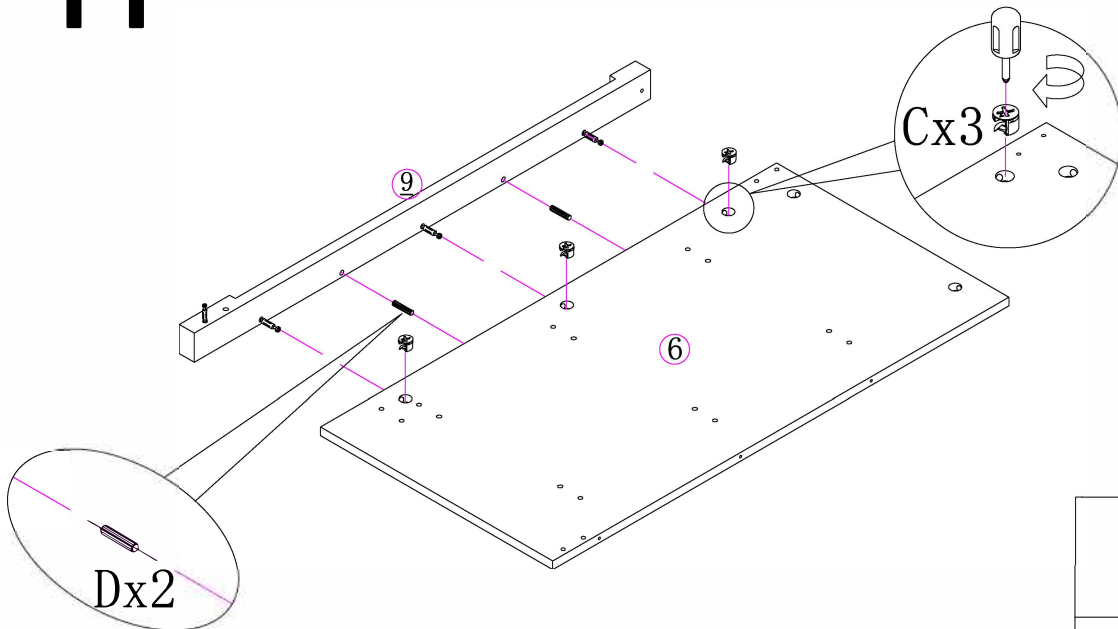
If you encounter any problems during installation, Please contact our customer service.

10



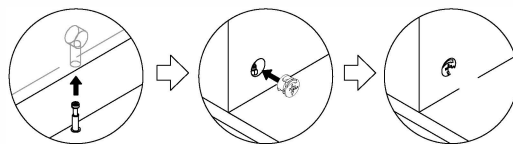
Bx8

11

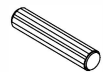


Dx2

Cx3



Cx3

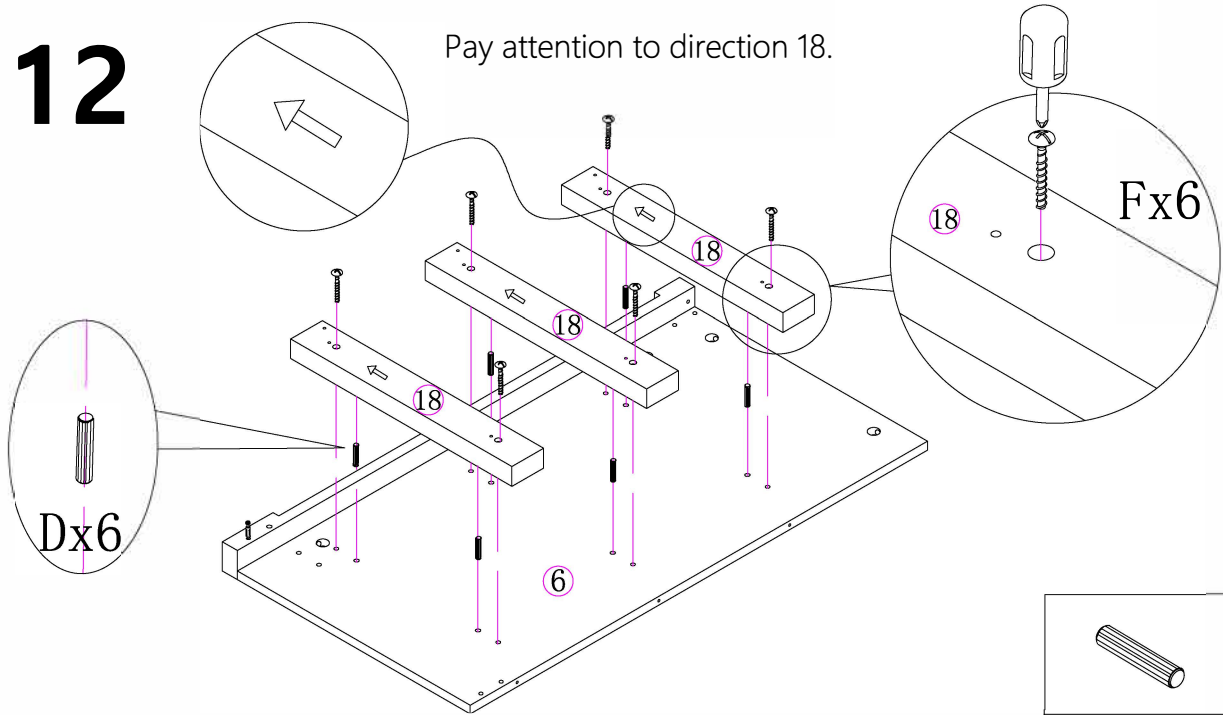


Dx2

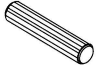

If you encounter any problems during installation, Please contact our customer service.

12

Pay attention to direction 18.

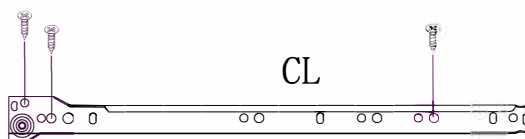
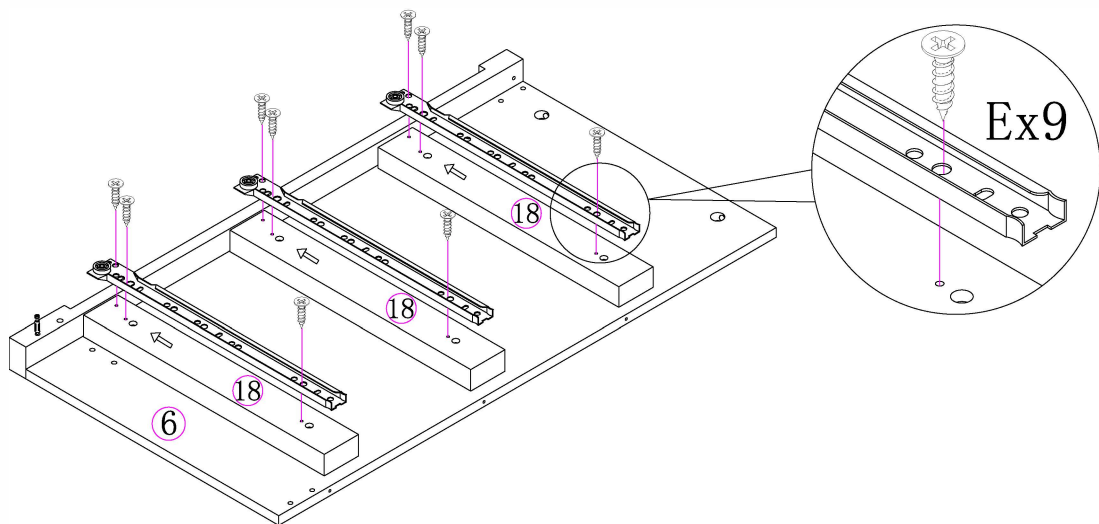




Align the wooden tenon D first, then lock F, please pay attention to the direction of component 18.


Dx6

M4*30mm Fx6

13

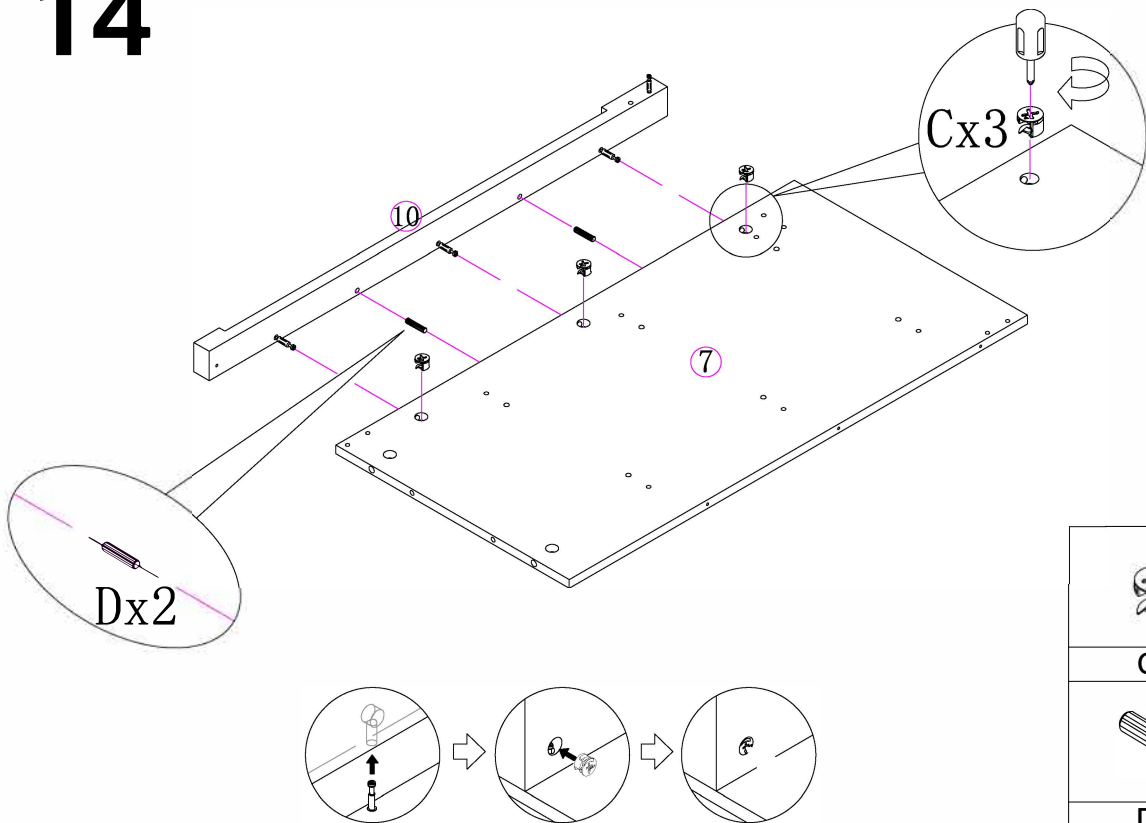
Please pay attention to locking it in the center of the hole and not tilting it, so as not to touch the slide rail when installing the drawer.



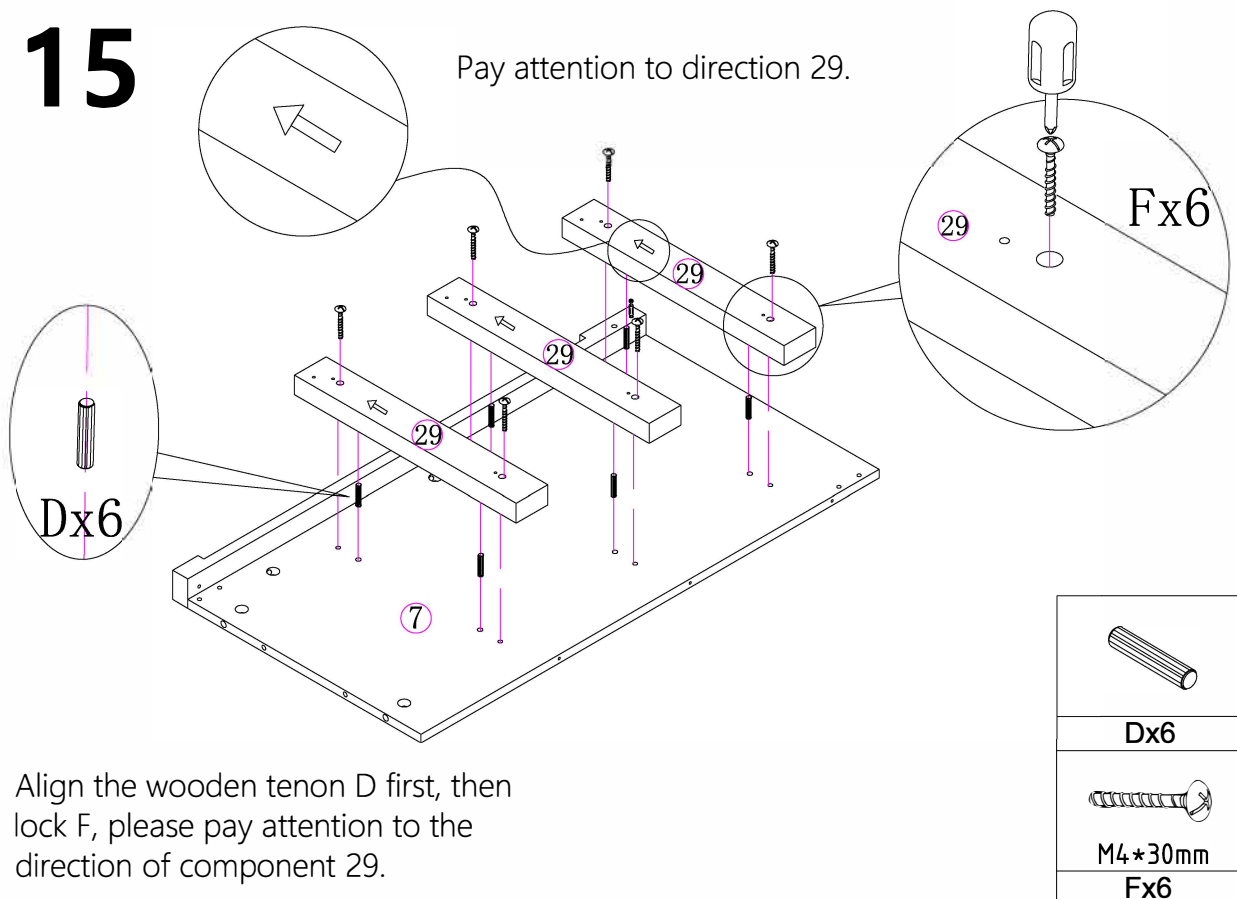
	
CLx3	φ3.5*12mm Ex9

If you encounter any problems during installation, please contact our customer service.

14



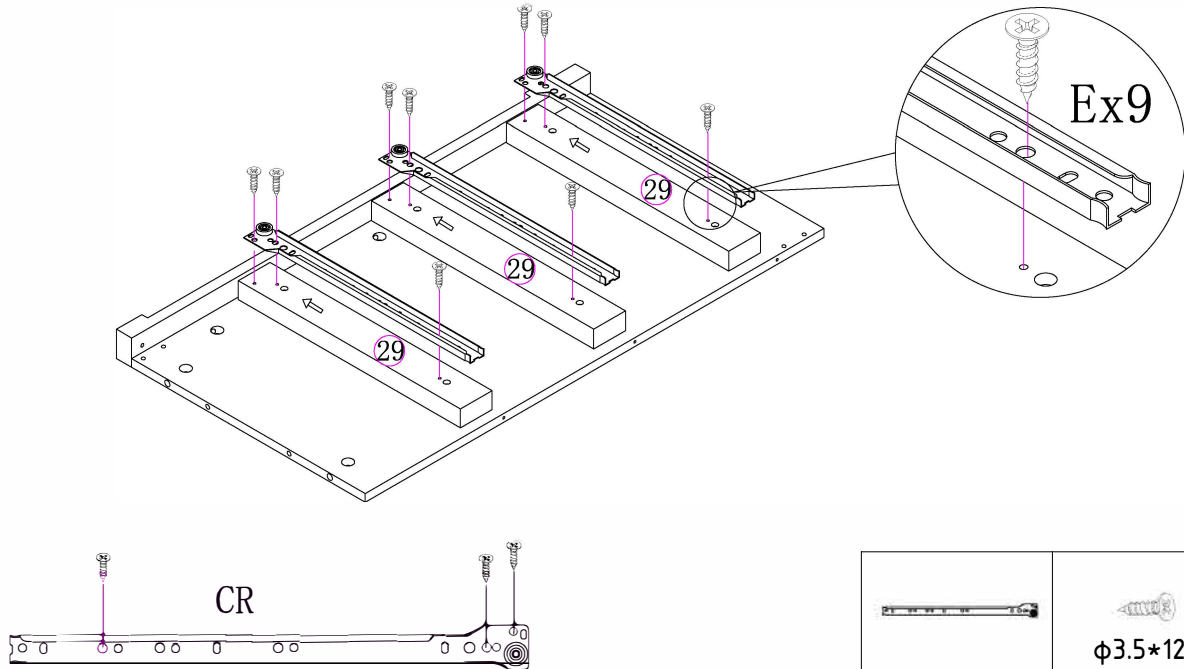
15



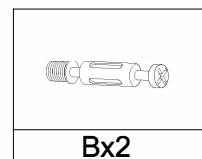
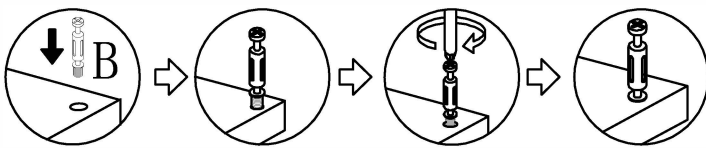
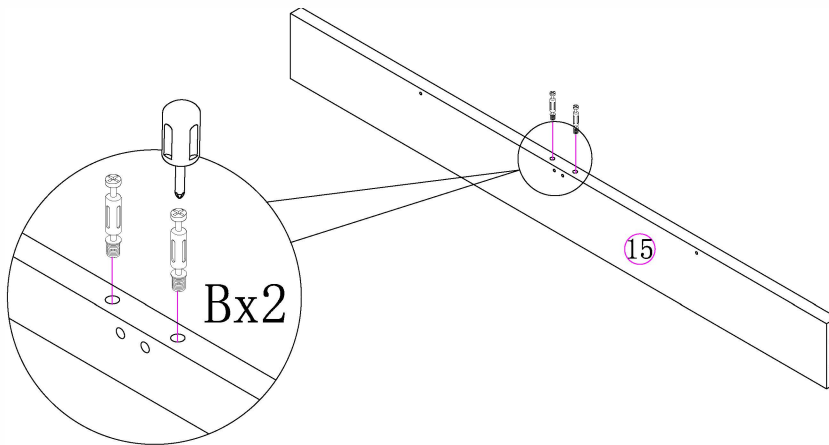
If you encounter any problems during installation, Please contact our customer service.

16

Please pay attention to locking it in the center of the hole and not tilting it, so as not to touch the slide rail when installing the drawer.

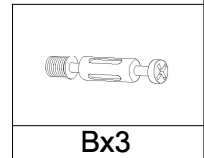
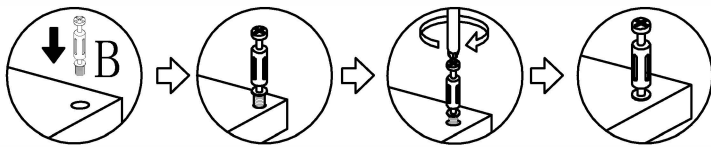
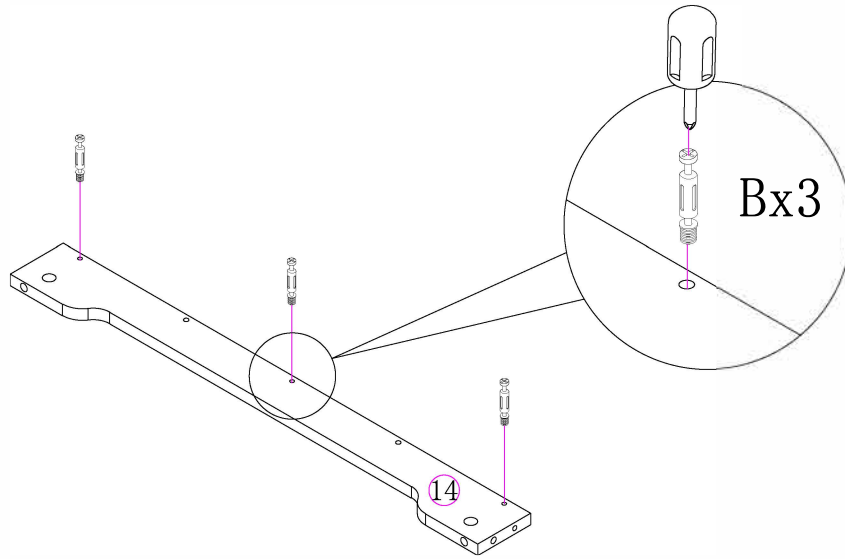


17

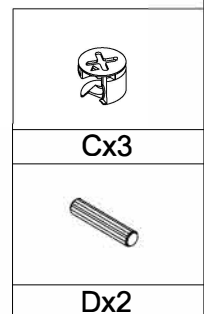
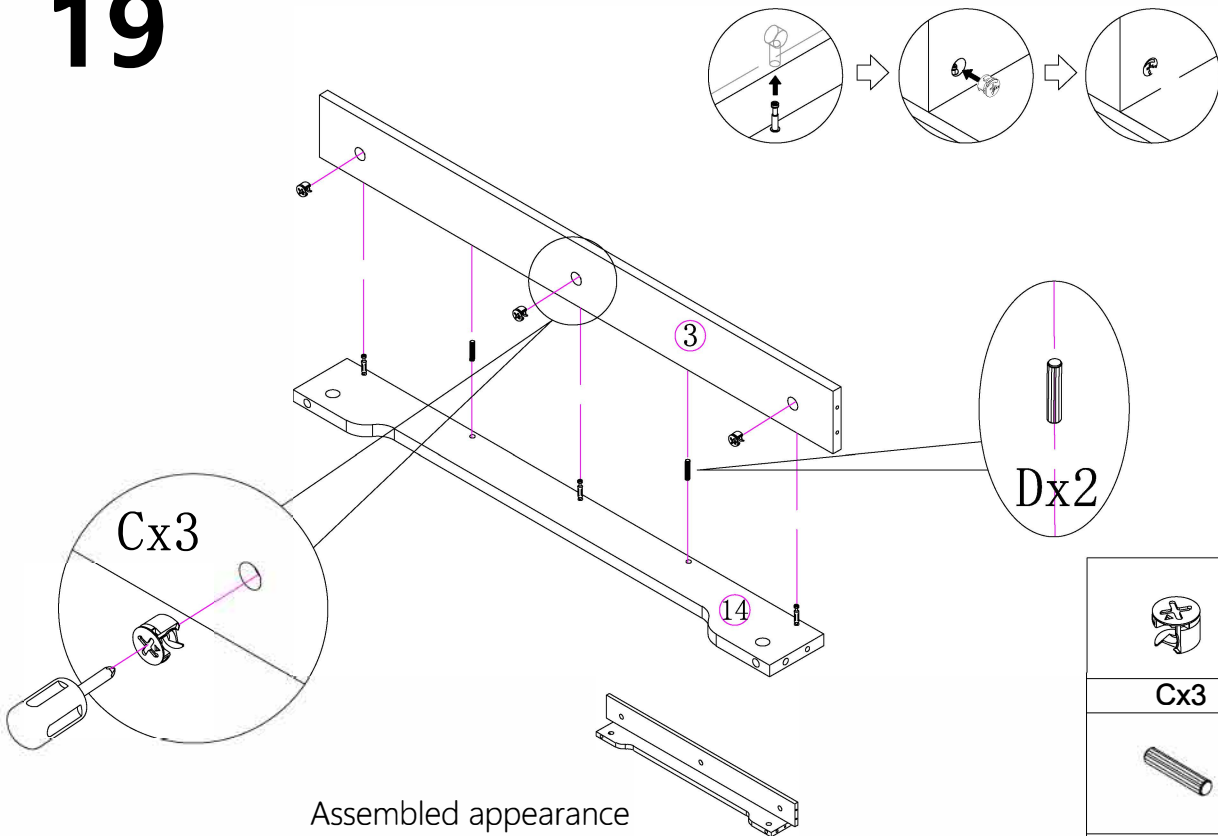


If you encounter any problems during installation, Please contact our customer service.

18



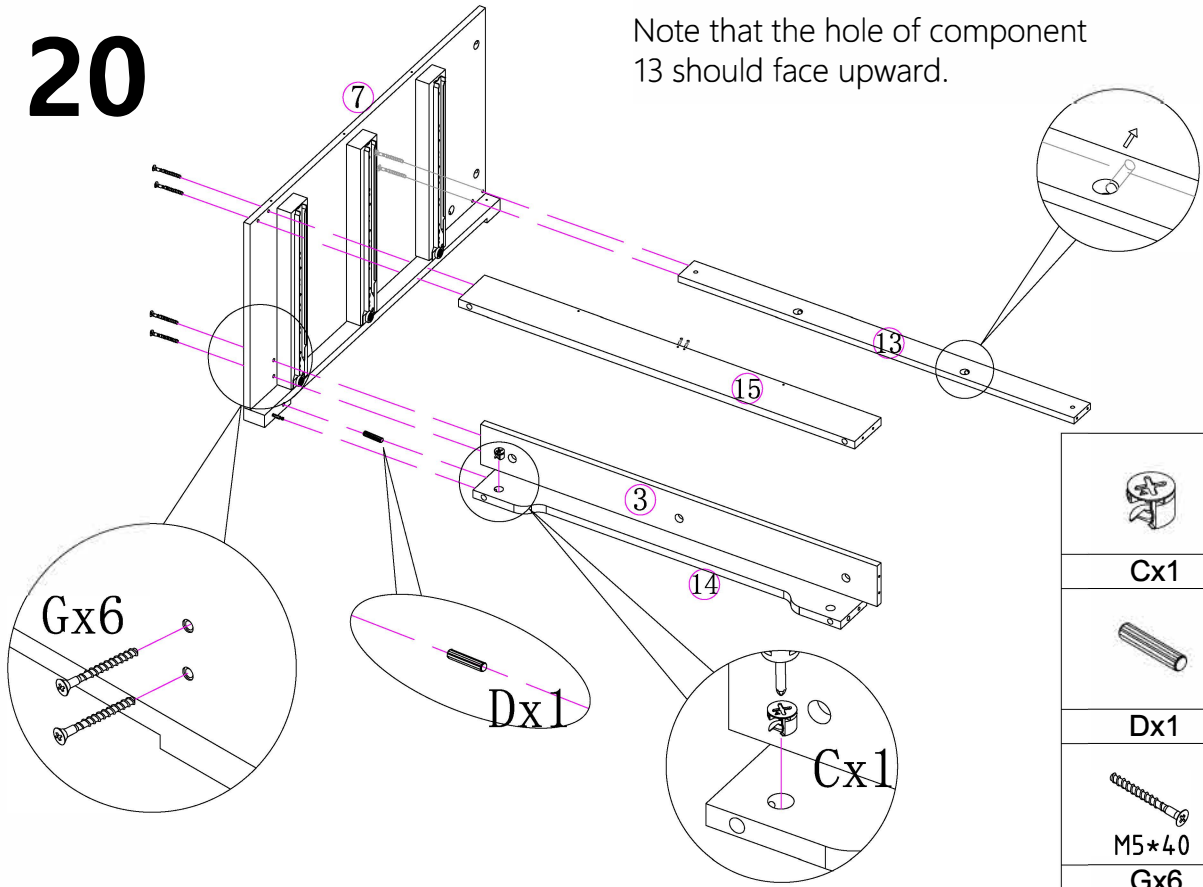
19



If you encounter any problems during installation, Please contact our customer service.

20

Note that the hole of component 13 should face upward.



Cx1



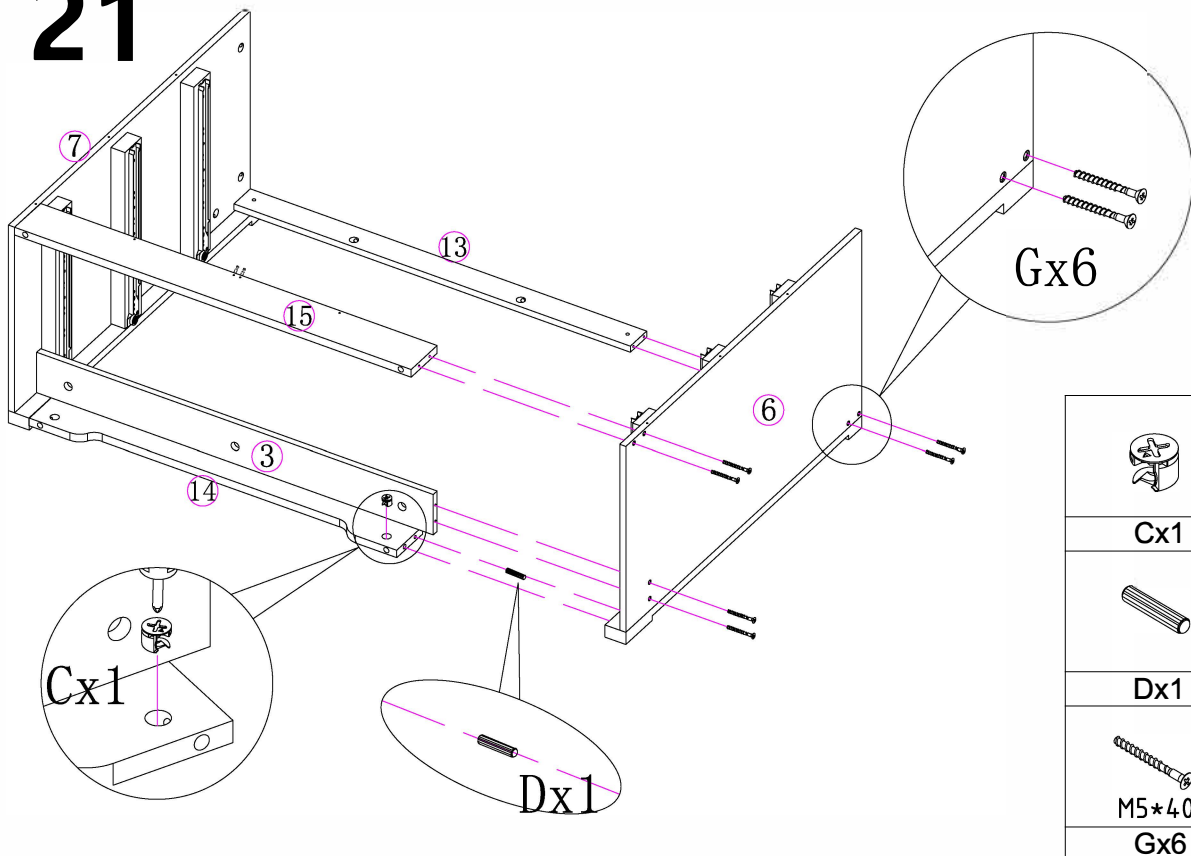
Dx1



M5x4.0

Gx6

21



Cx1



Dx1

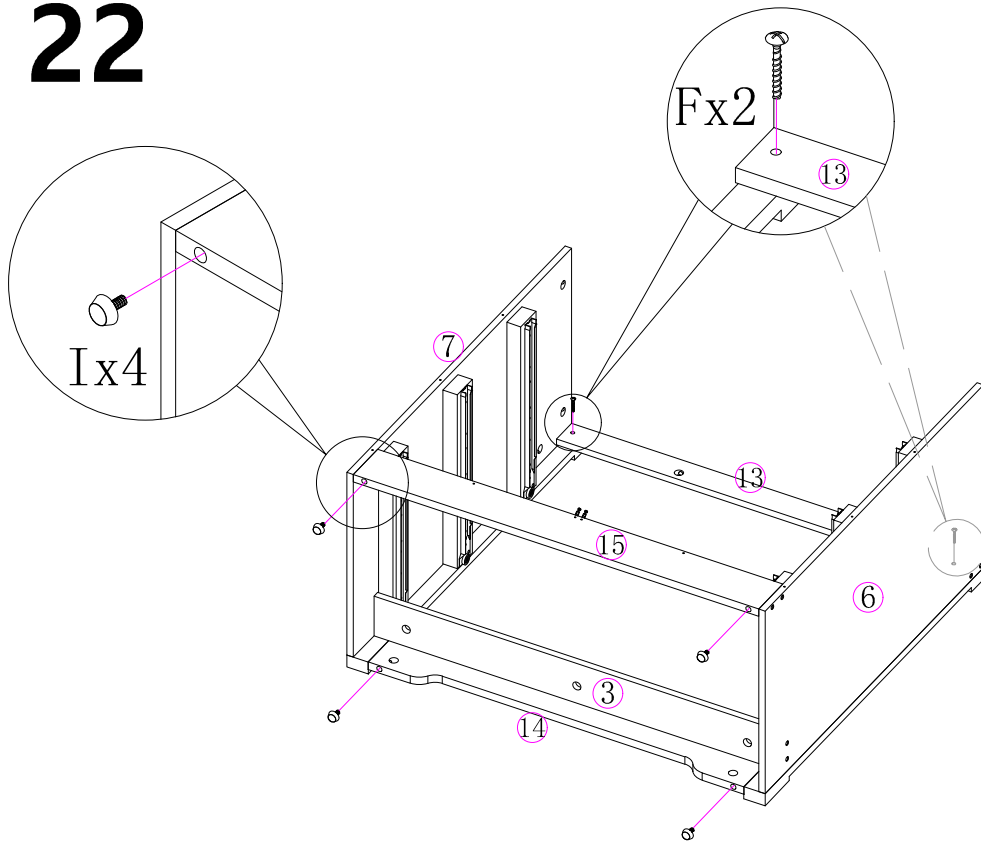


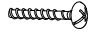

M5x4.0

Gx6

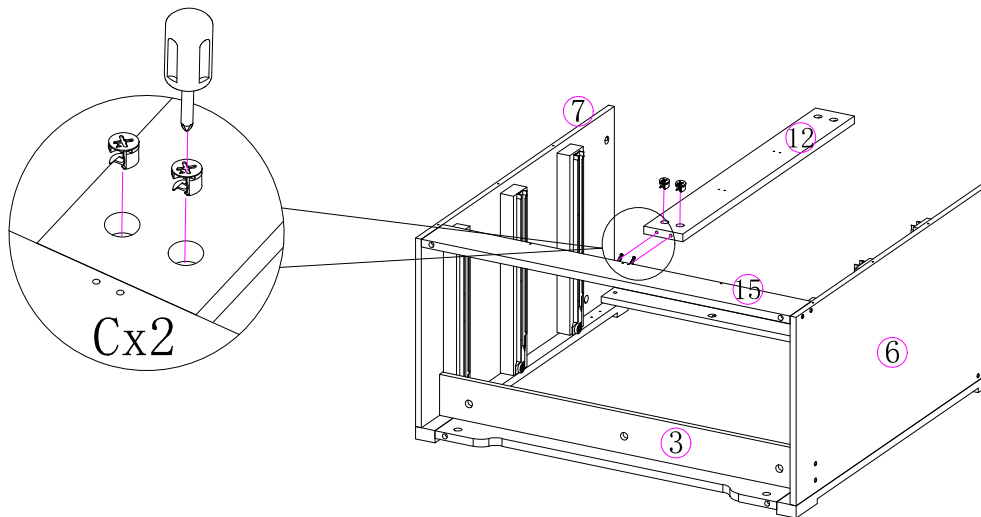
If you encounter any problems during installation, Please contact our customer service.


22




M4*30mm
Fx2

M6*11mm
Ix4

23



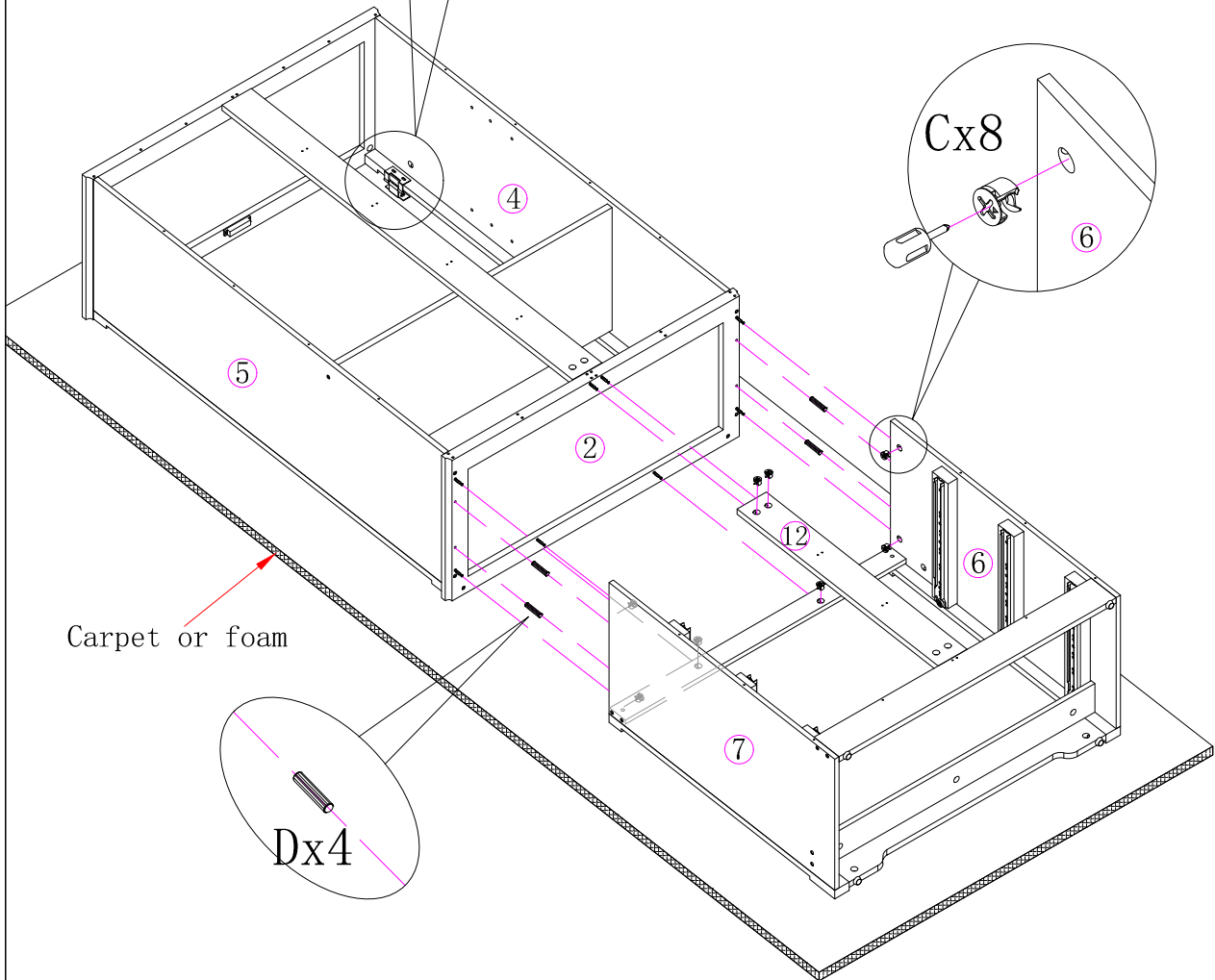

Cx2

If you encounter any problems during installation, Please contact our customer service.

24



When laying down the 1-2-4-5 combination, pay attention to cushion the bottom with foam or carpet to avoid scratching the cabinet by the hinge.



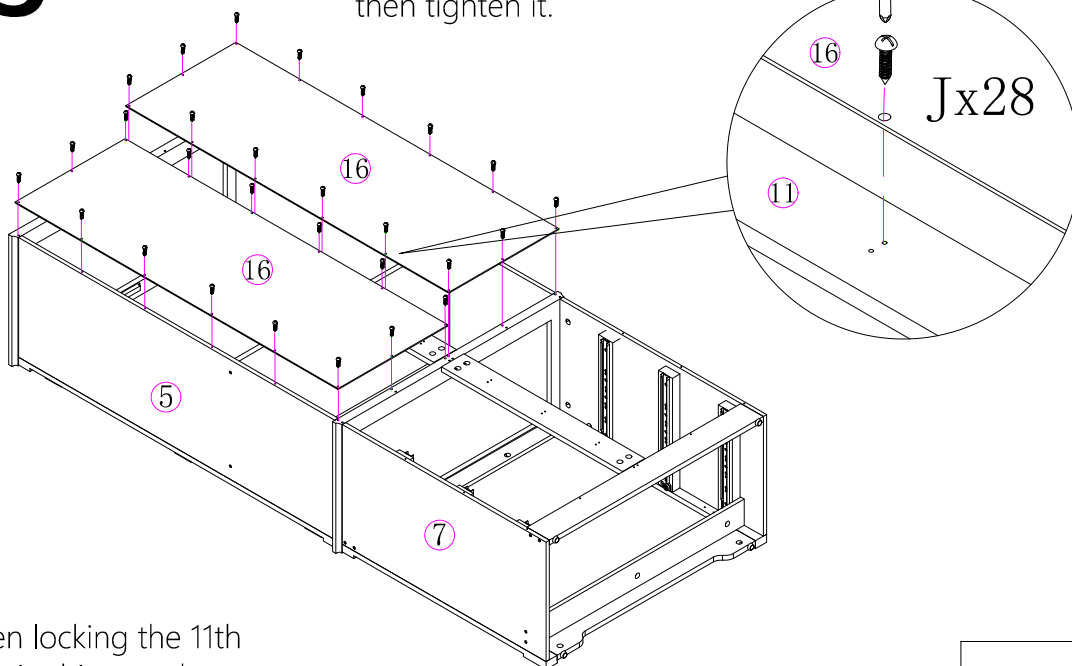
Note that when connecting the upper and lower cabinets, the lower part should be padded with foam or carpet. Note that the 12 # part should be aligned. This step needs 2 people to complete.

Cx8
Dx4

If you encounter any problems during installation, please contact our customer service.

25

First align the hole position,
then tighten it.



When locking the 11th
plate in this step, be
careful not to break it.

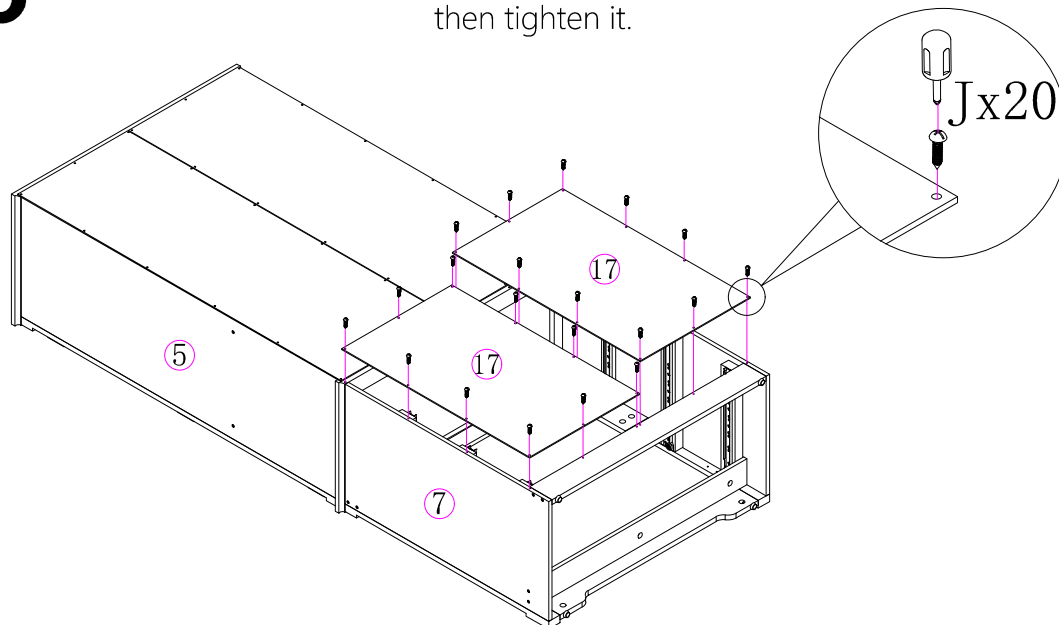


Ø3.5*14

Jx28

26

First align the hole position,
then tighten it.

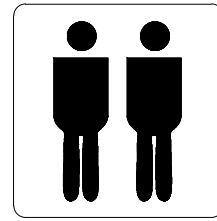
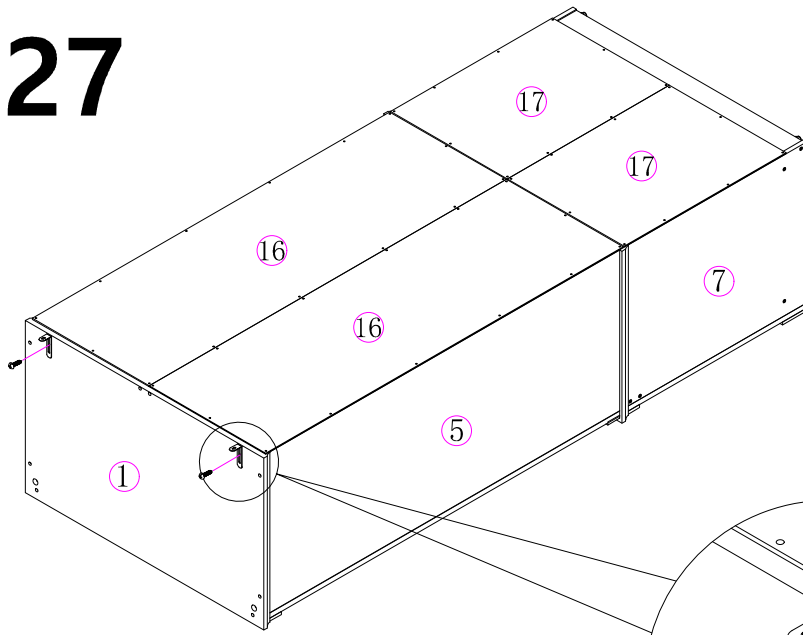



Ø3.5*14

Jx20

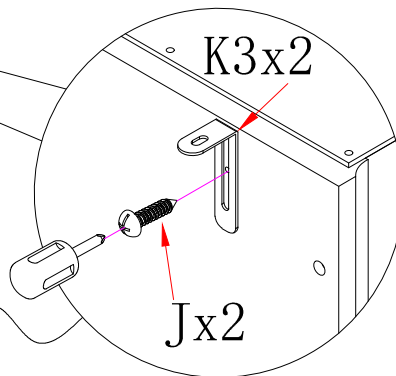
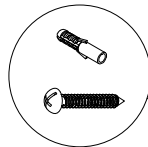
If you encounter any problems during installation, Please contact our customer service.



27



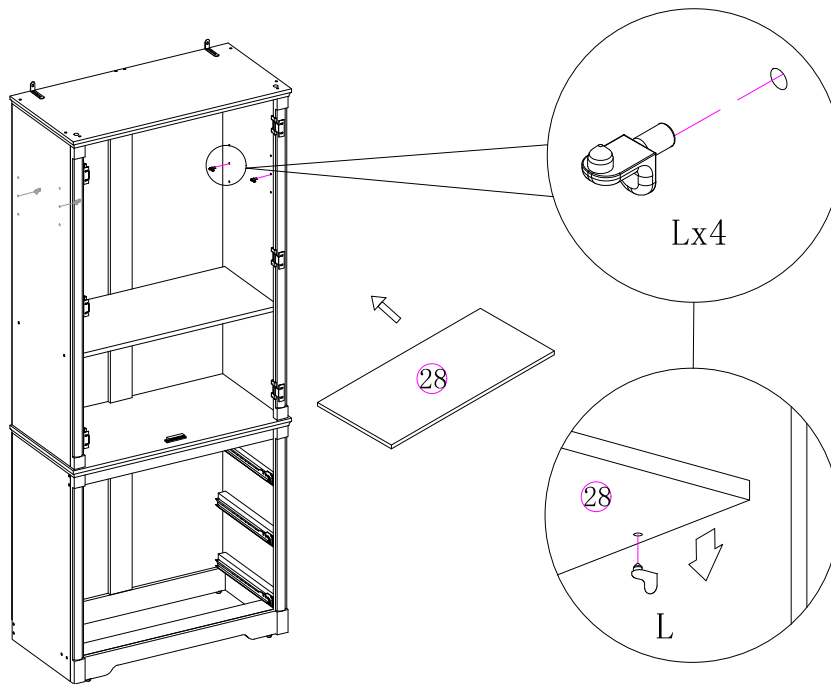
 90°
 Flip 90 degrees


When installing K3, pay attention to keeping K1 and K2 safe. K1 and K2 will be used in the 38th part later.




K3x2

φ3.5×14
Jx2

28



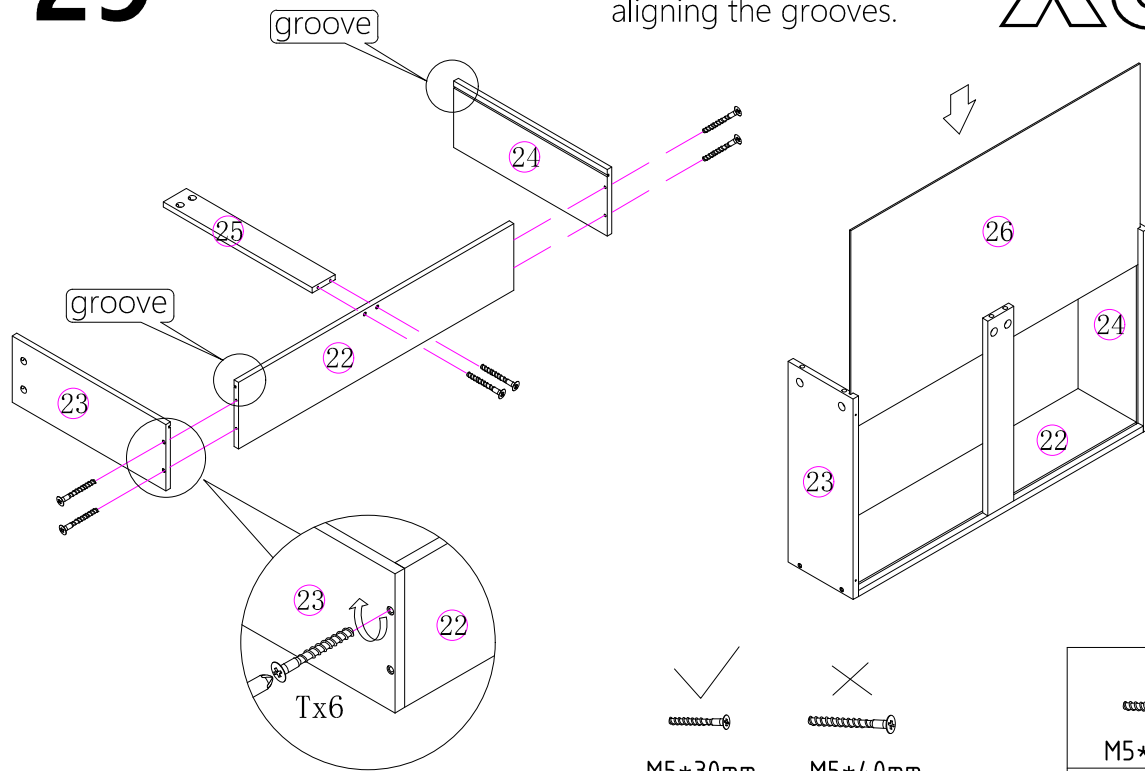

Lx4

If you encounter any problems during installation, Please contact our customer service.

29

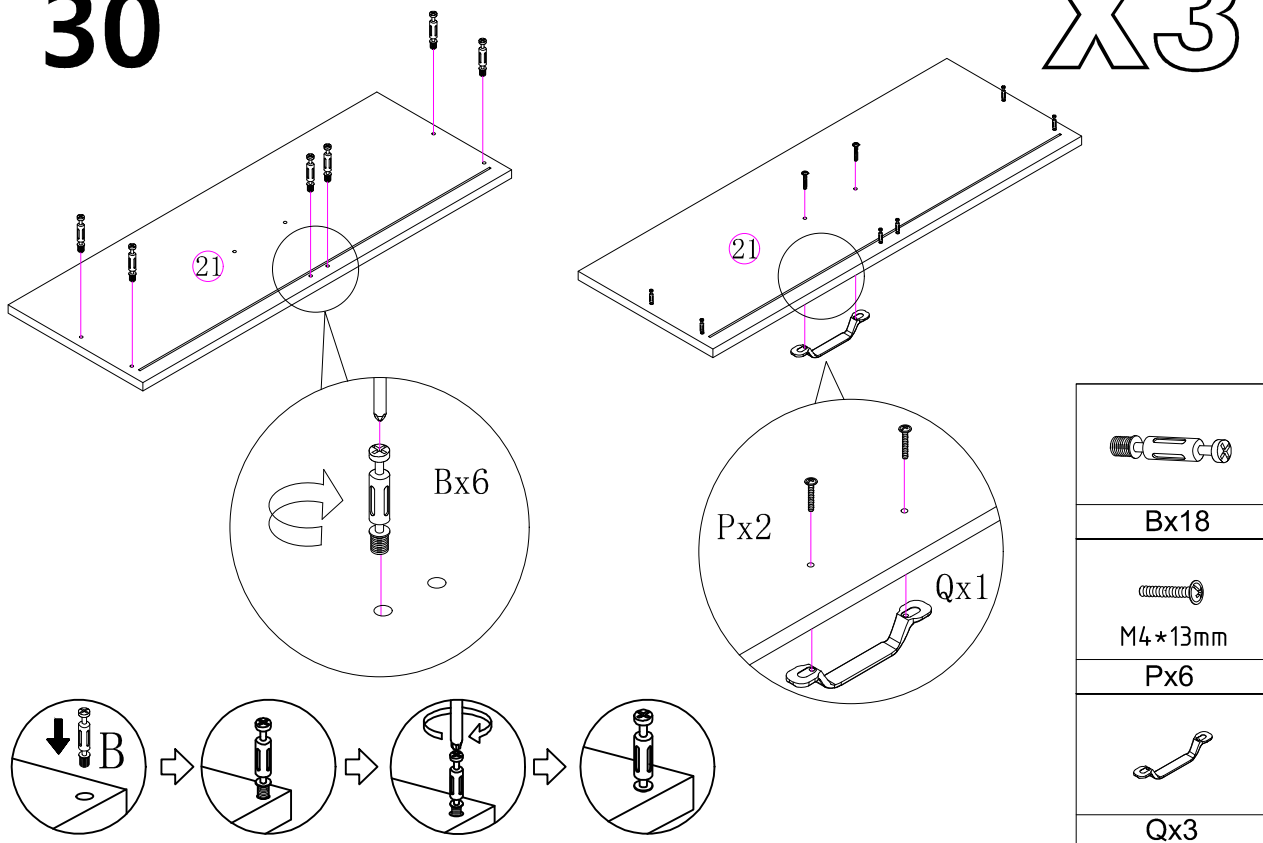
Pay attention to aligning the grooves.

X3



30

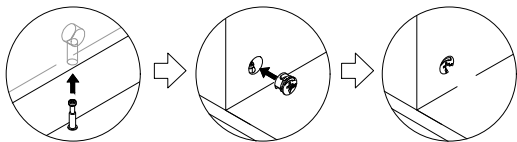
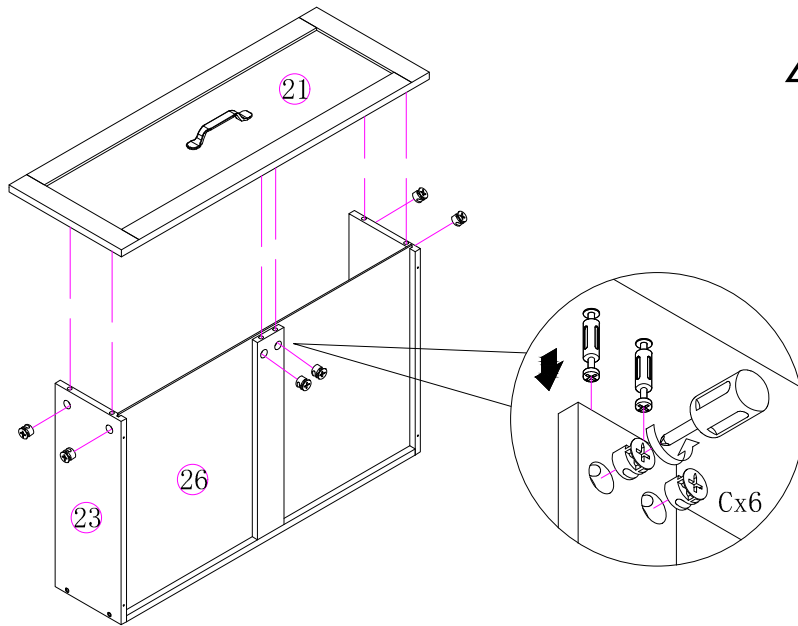
X3



If you encounter any problems during installation, Please contact our customer service.

31

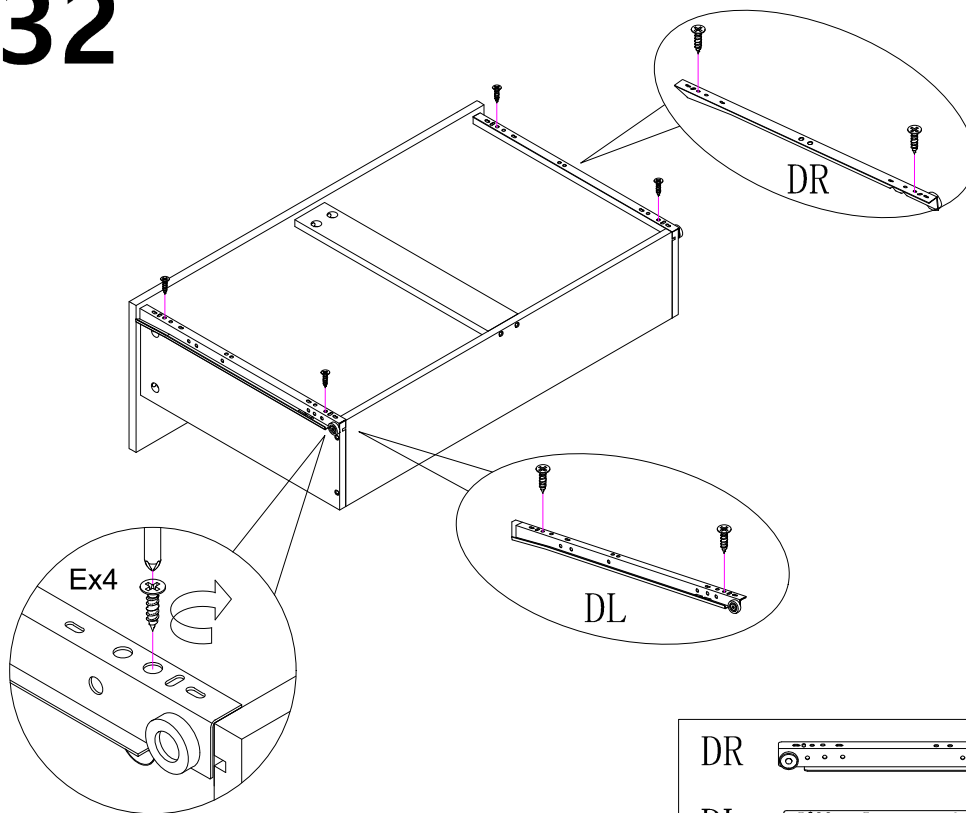
X3



Cx18

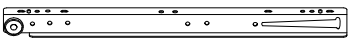
32

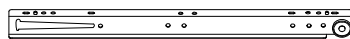
X3



φ3.5*12mm

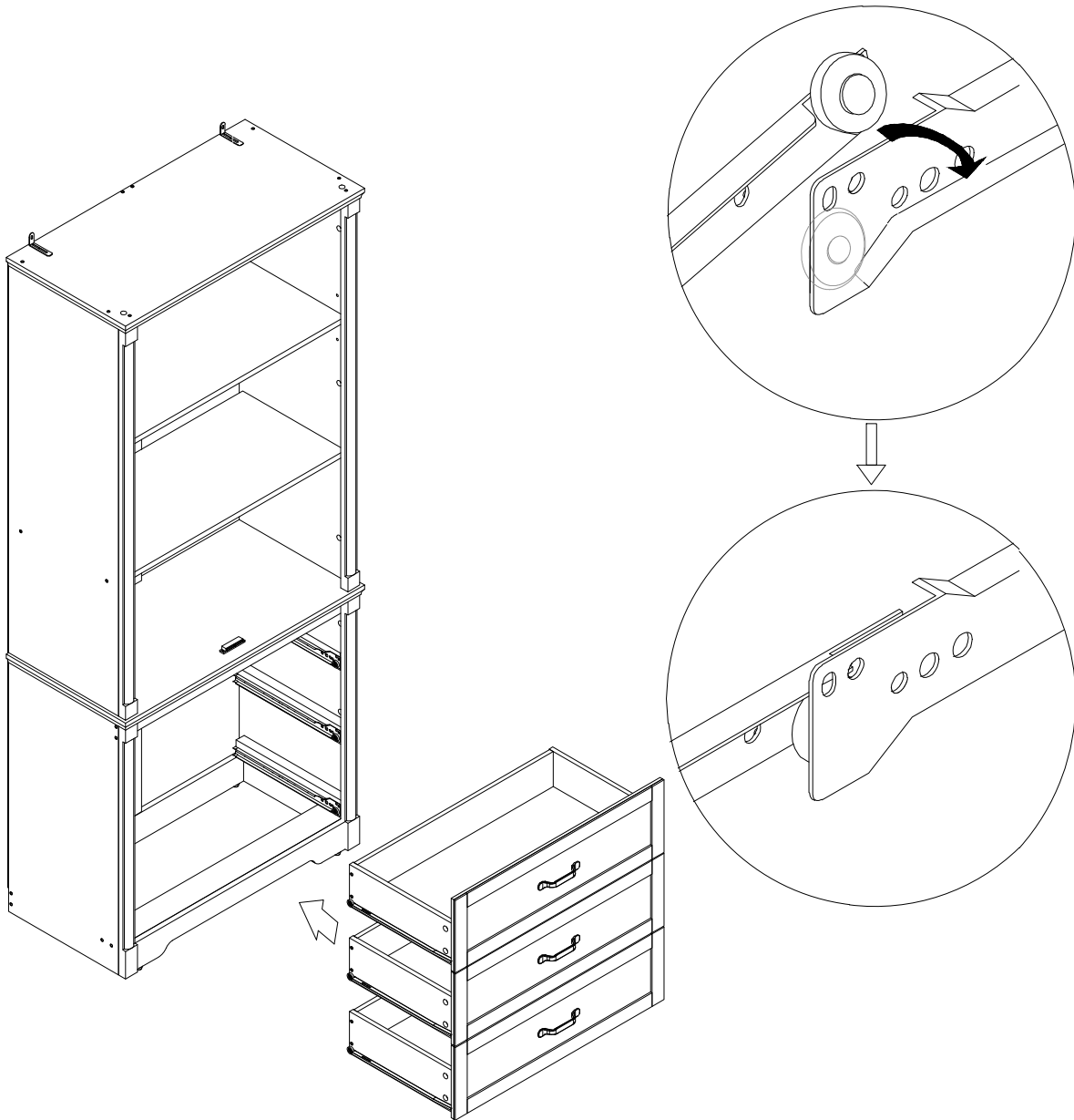
Ex12

DR  X3

DL  X3

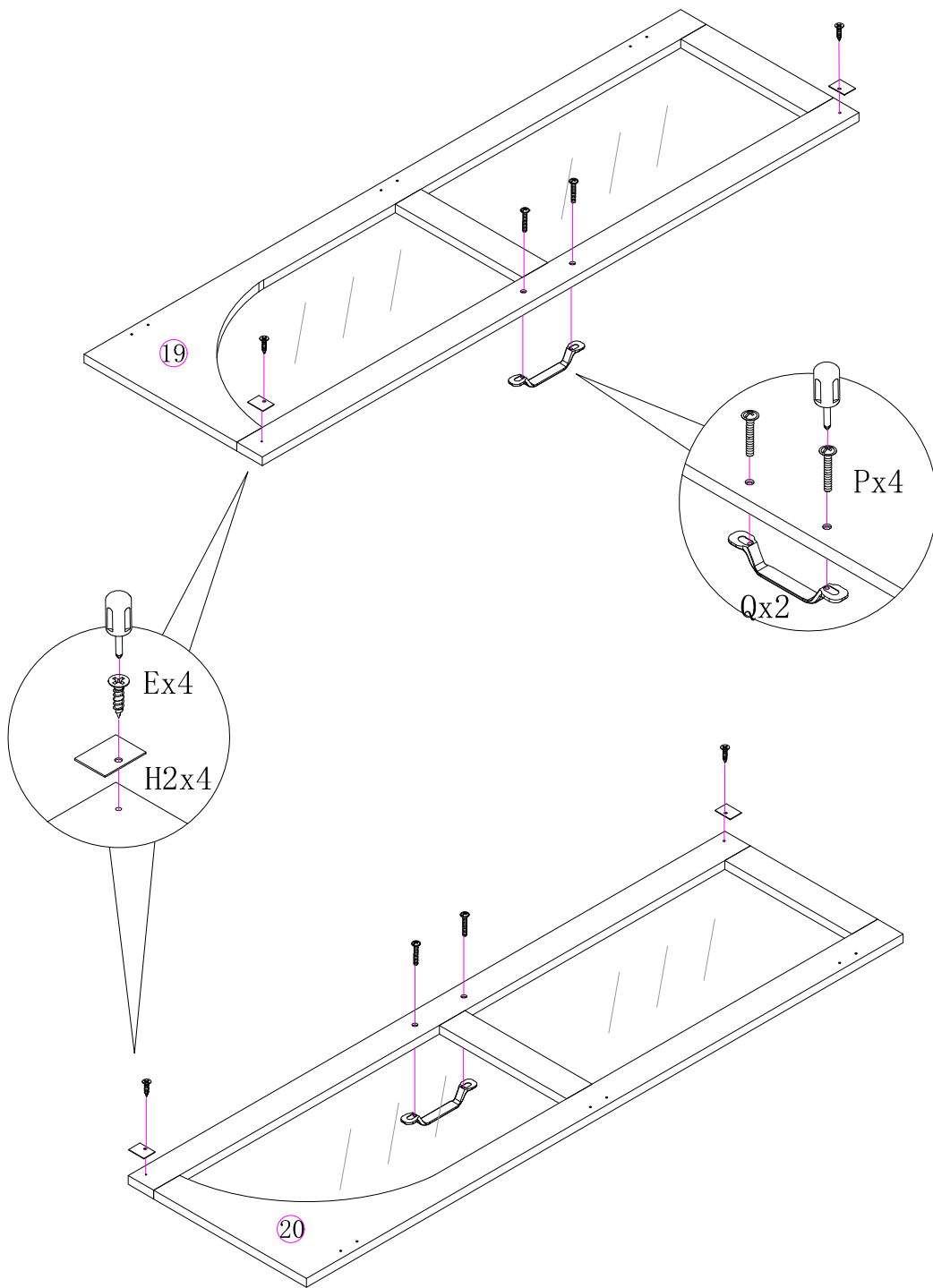
If you encounter any problems during installation, please contact our customer service.




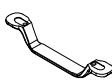
33



If you encounter any problems during installation, please contact our customer service.

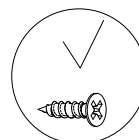
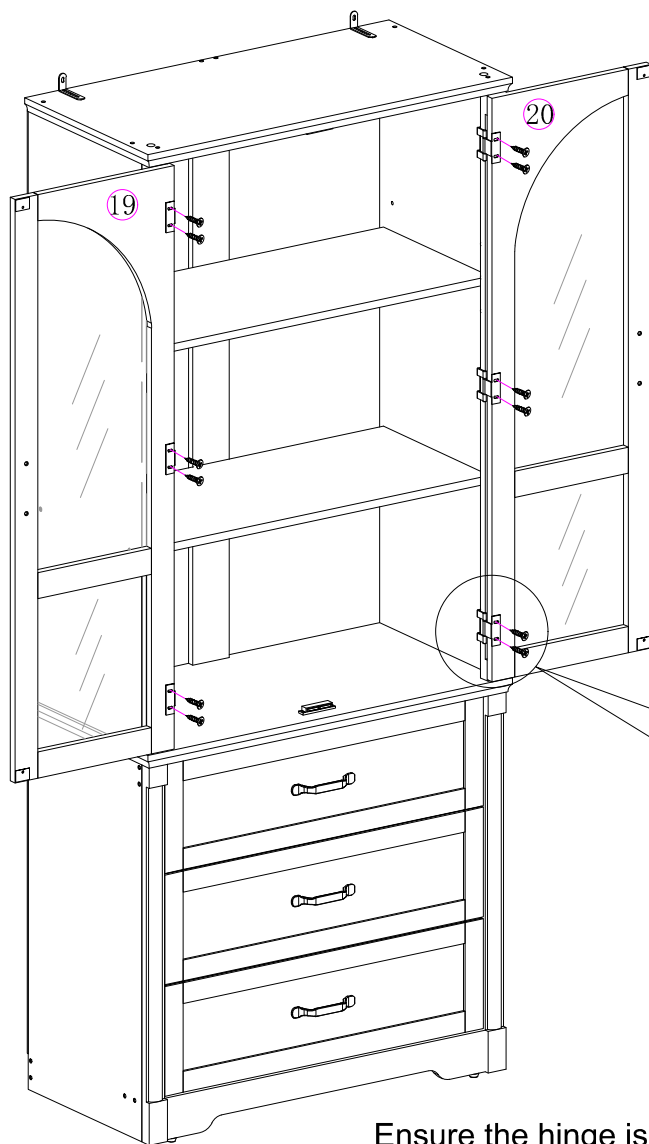
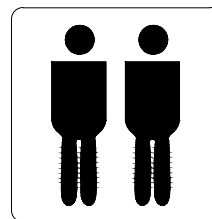
34



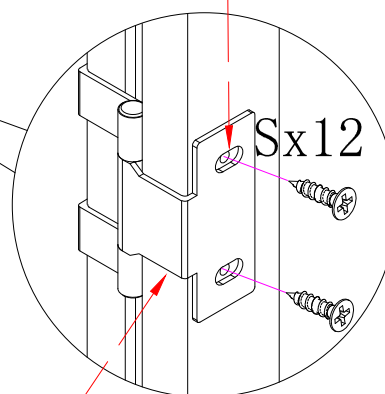
 Ø3.5*12 Ex4
 H2x4
 M4*13 Px4
 Qx2

If you encounter any problems during installation, Please contact our customer service.

35



Ensure the screws are driven in at the center to avoid misalignment or shifting of the hinge to one side.



Ensure the hinge is flush against the panel when installing, then secure it with screws.



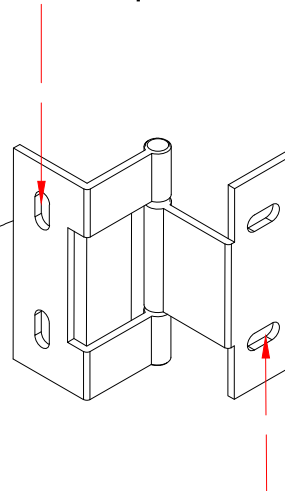
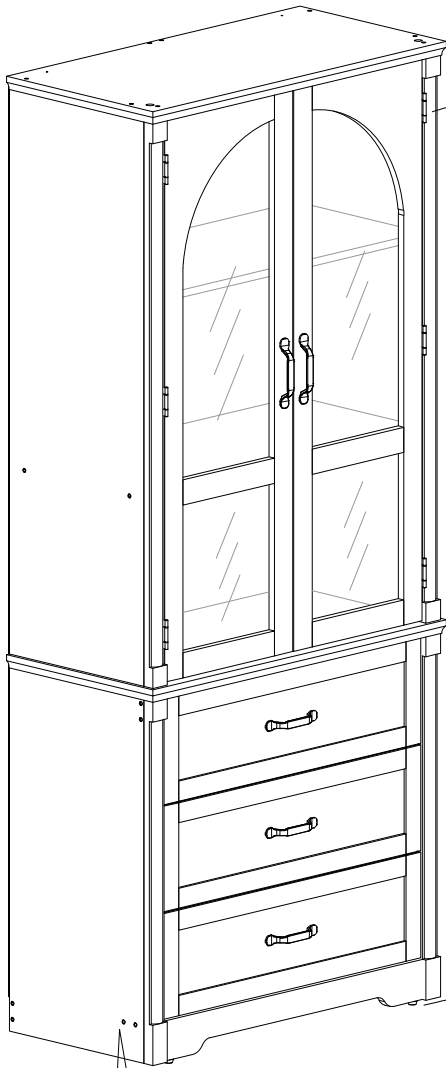
Ø3.5*14

Sx12

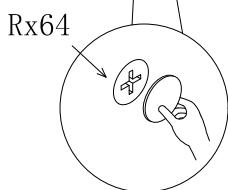
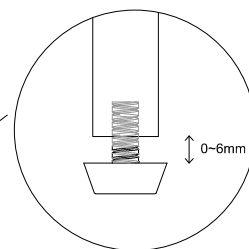
If you encounter any problems during installation, Please contact our customer service.

36

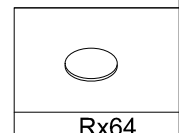
If the gap between the door panel and the cabinet is uneven after installation, you can use these two holes to adjust the vertical alignment of the door panel.



If the gap between the door panel and the cabinet is uneven from left to right after installation, you can use these two holes to adjust the horizontal alignment of the door panel.

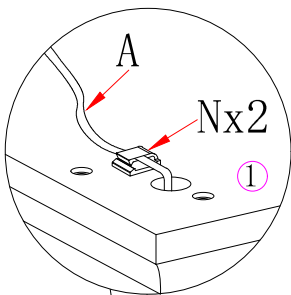
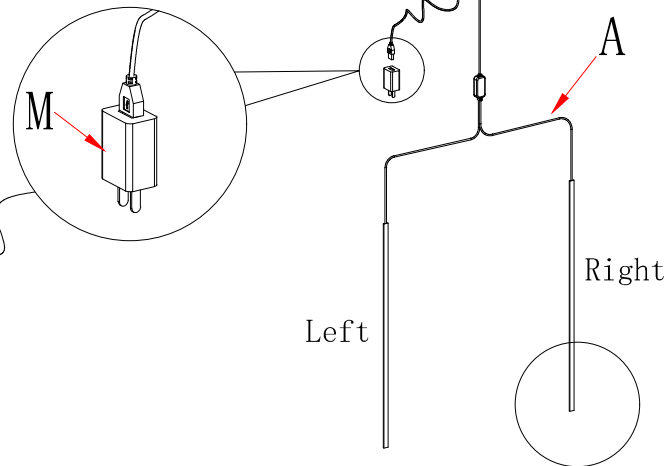
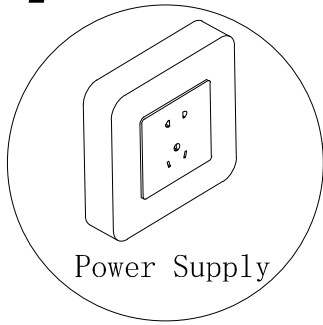


When the ground is uneven or the door gap is uneven, please adjust the four adjustment feet. This method can also adjust the unevenness of the door gap.



If you encounter any problems during installation, Please contact our customer service.

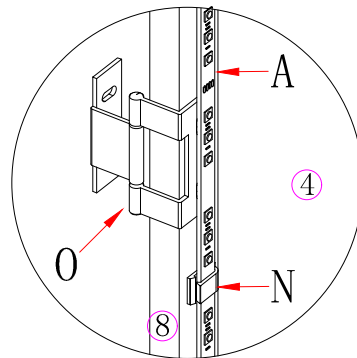
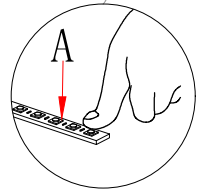
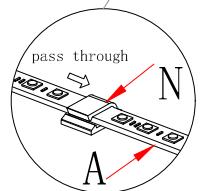
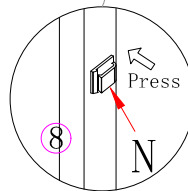
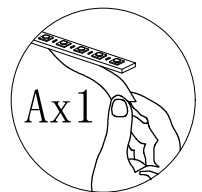
37



First fix N on numbers 1 and 8, then pass A through N and fix it.

step1

step2

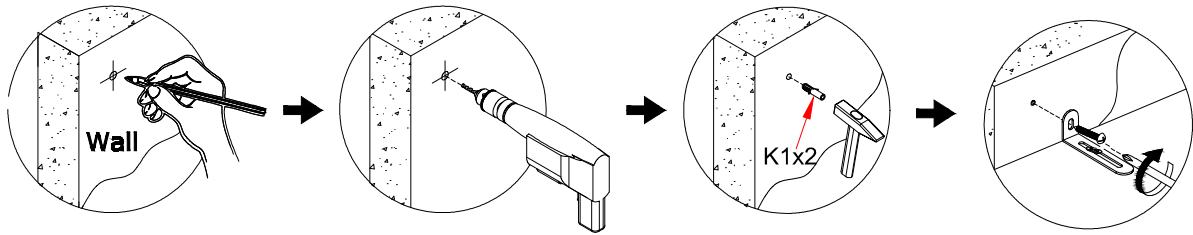


Schematic diagram after fixation

Ax1
Mx1
Nx8

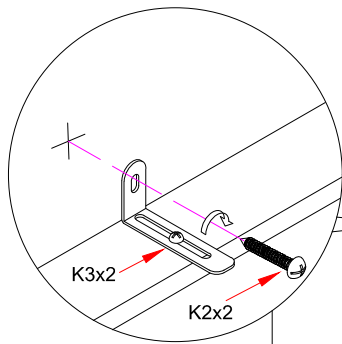
If you encounter any problems during installation, Please contact our customer service.

38

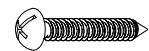


Warning: If you overturn the furniture, it may cause serious or fatal crushing injuries. We have a wall connection device attached, please use it to hold the furniture following these instructions.

1. Mark the corresponding hole positions where you want to place the furniture;
2. Use a impact drill to drill holes and pay attention to avoid wires and water pipes;
3. Knock the expansion pipes into the wall holes;
4. Place the furniture in the corresponding position and tighten the wallconnection device with screws.



K1x2



(K2) $\phi 3.5 \times 40$

K2x2

If you encounter any problems during installation, Please contact our customer service.