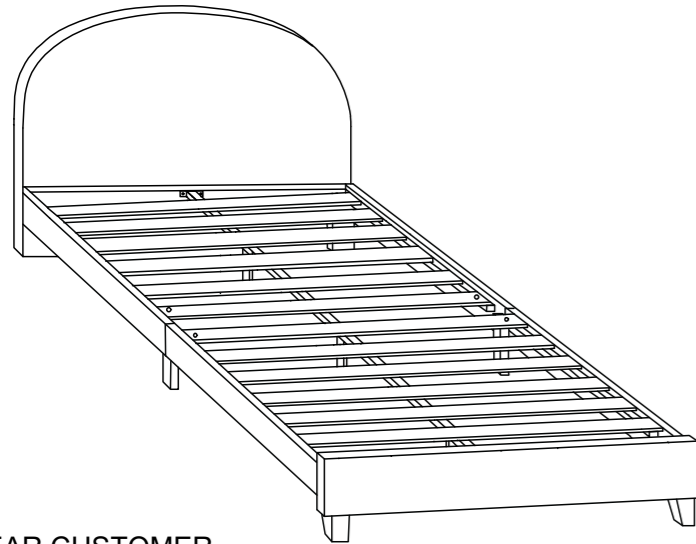


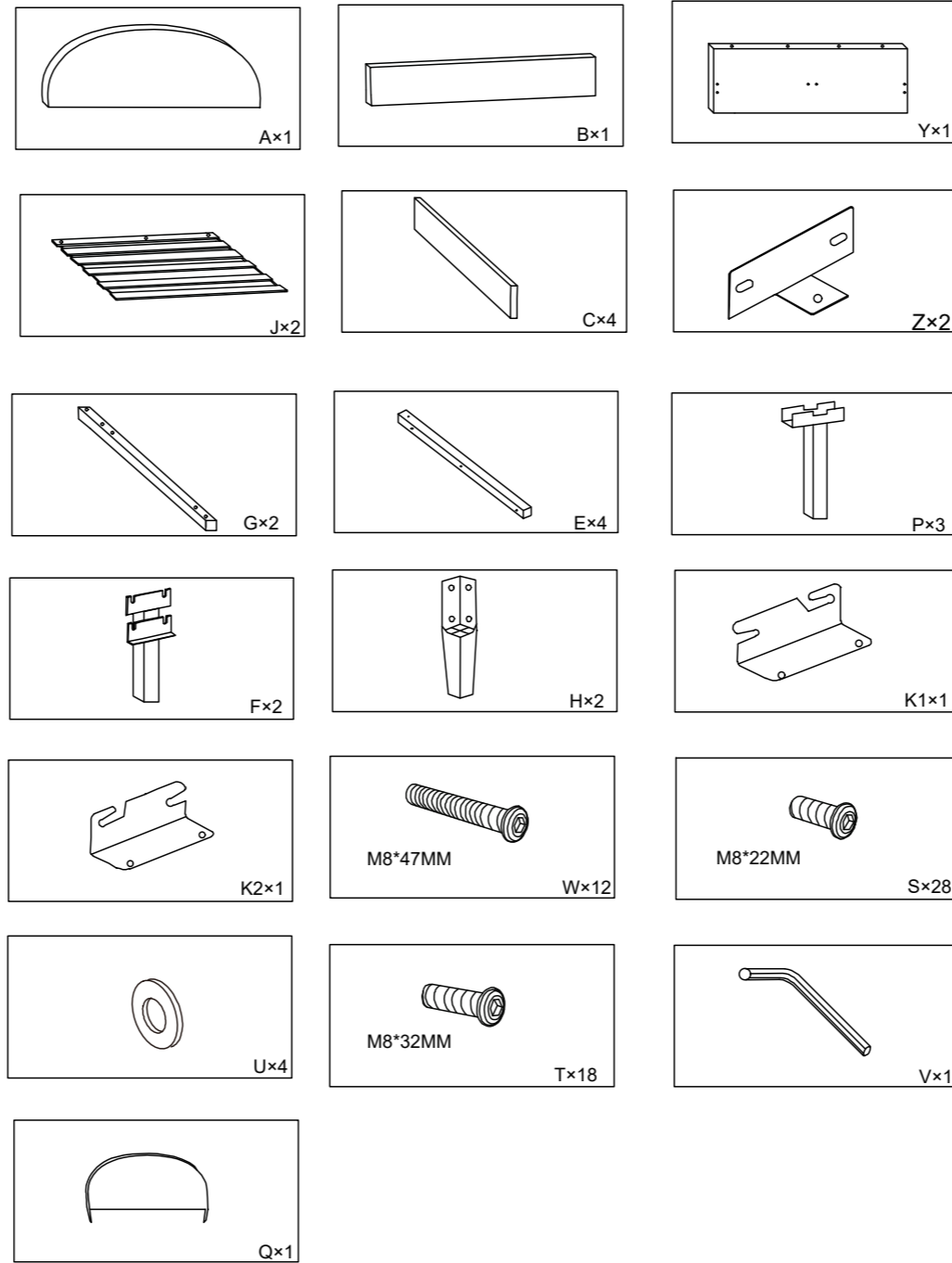
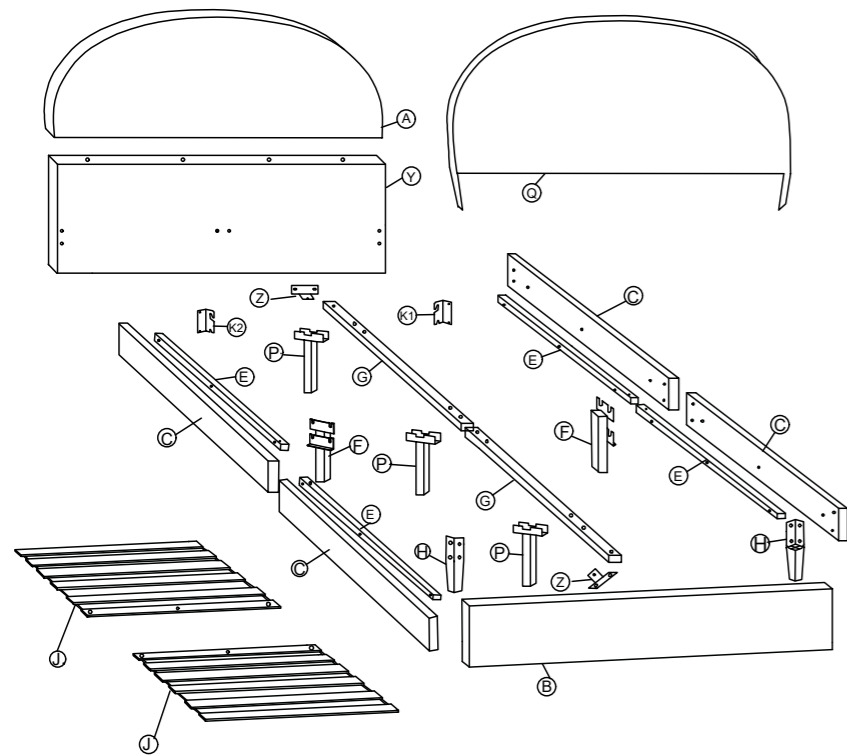
**PLATFORM BED**  
ORIGINAL INSTRUCTION MANUAL



**DEAR CUSTOMER,**

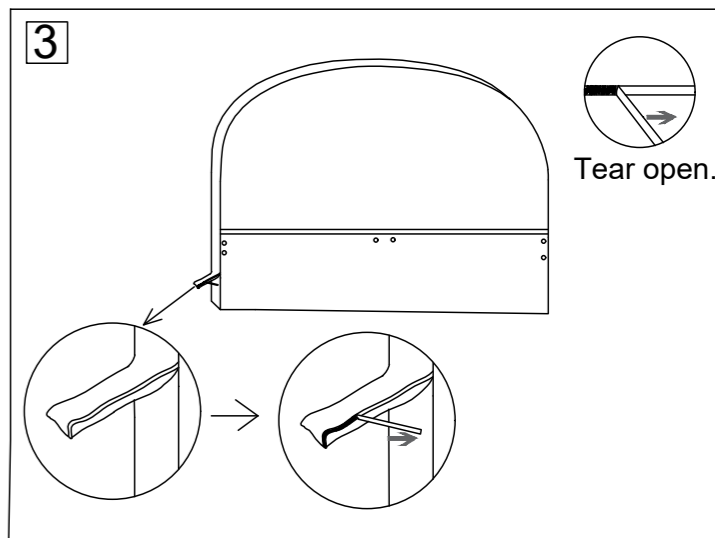
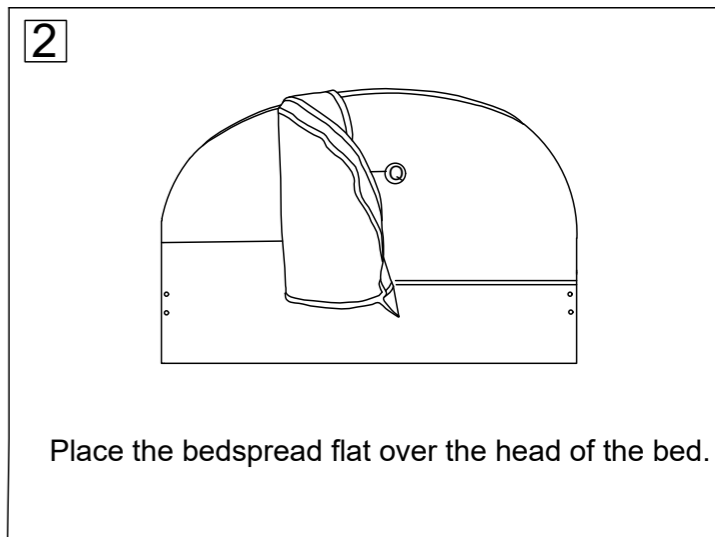
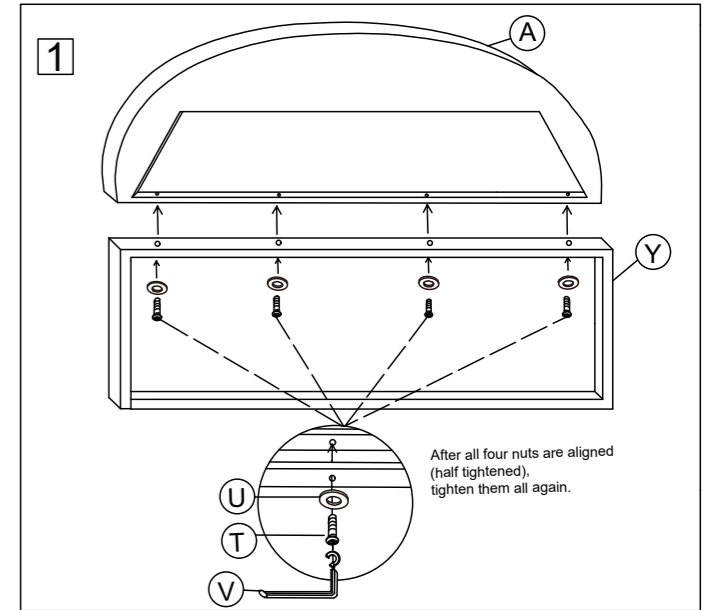
Thank you for choosing our product. Please read this manual carefully before assembling or using the product, to avoid damage caused by improper use. If the product is passed on to third parties, this manual has to be passed on along with the product. For any question don't hesitate to contact us.

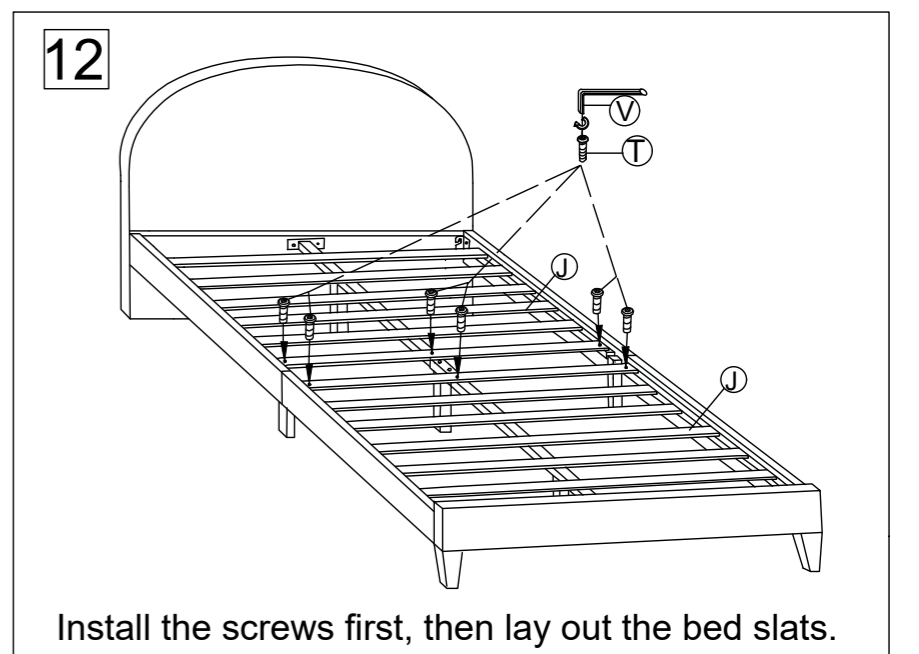
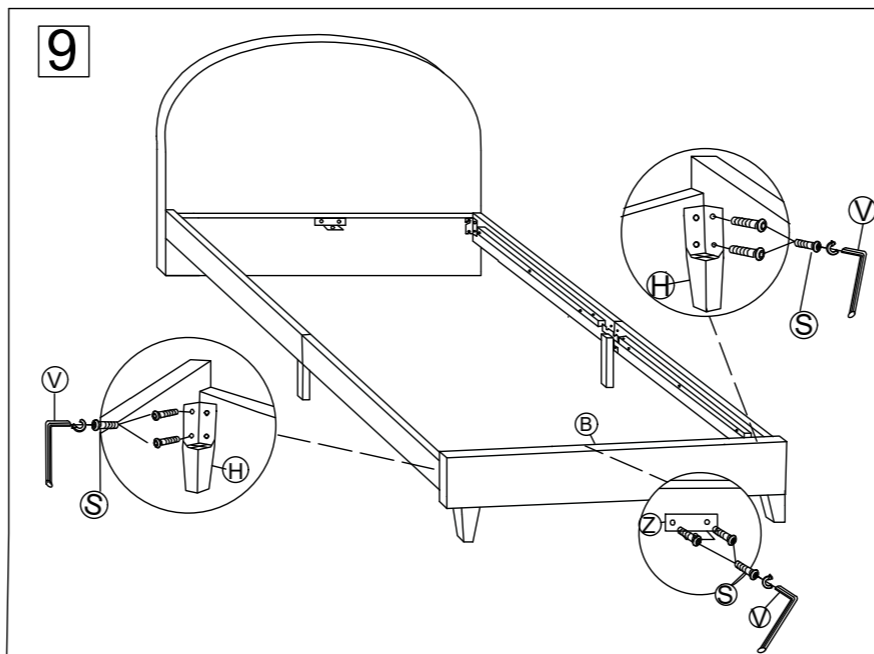
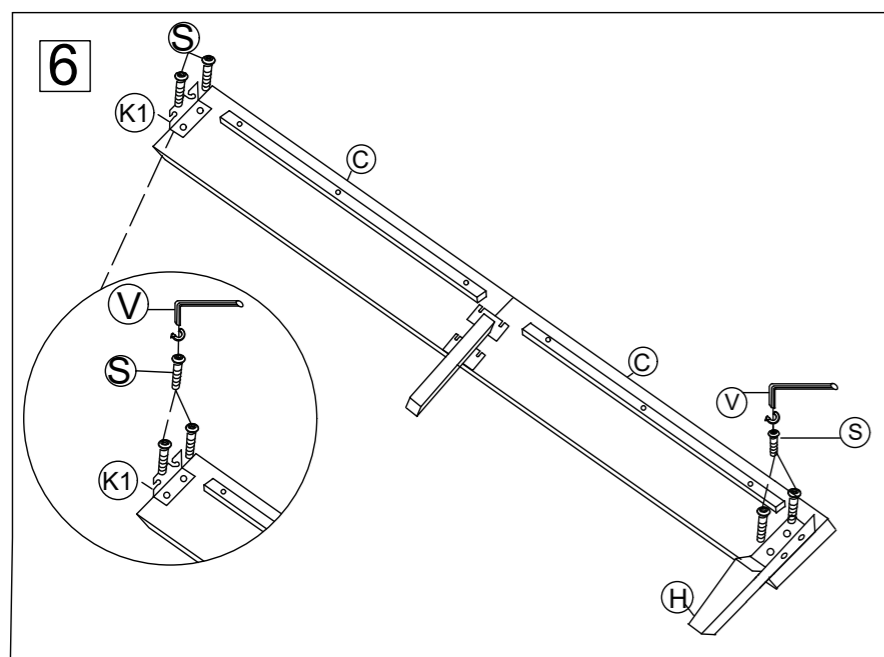
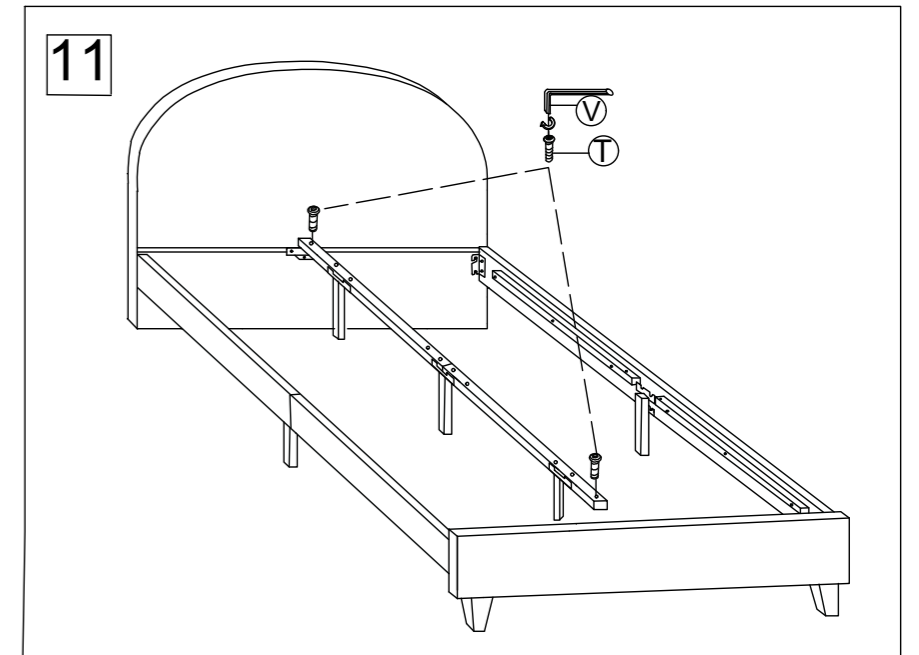
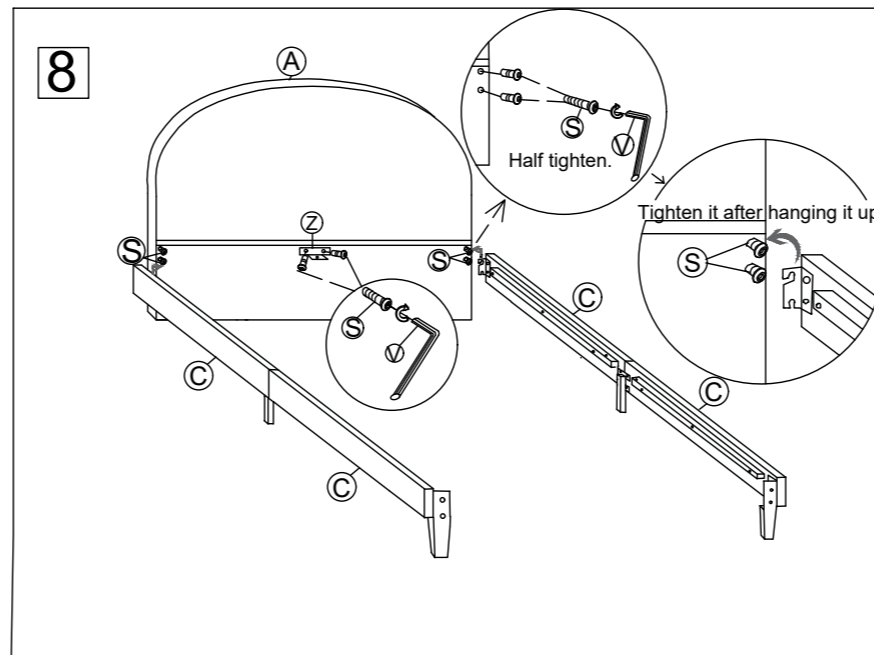
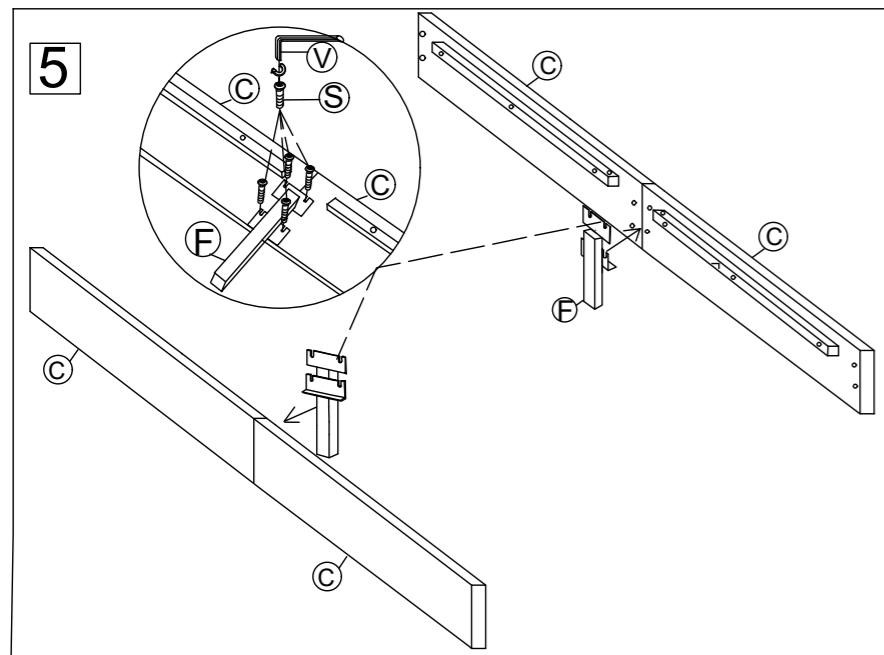
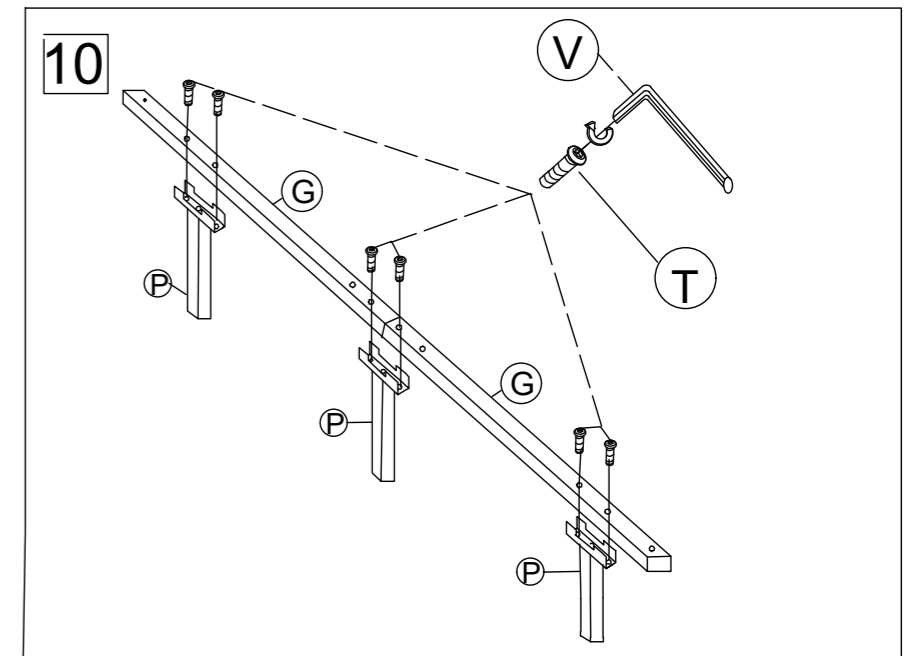
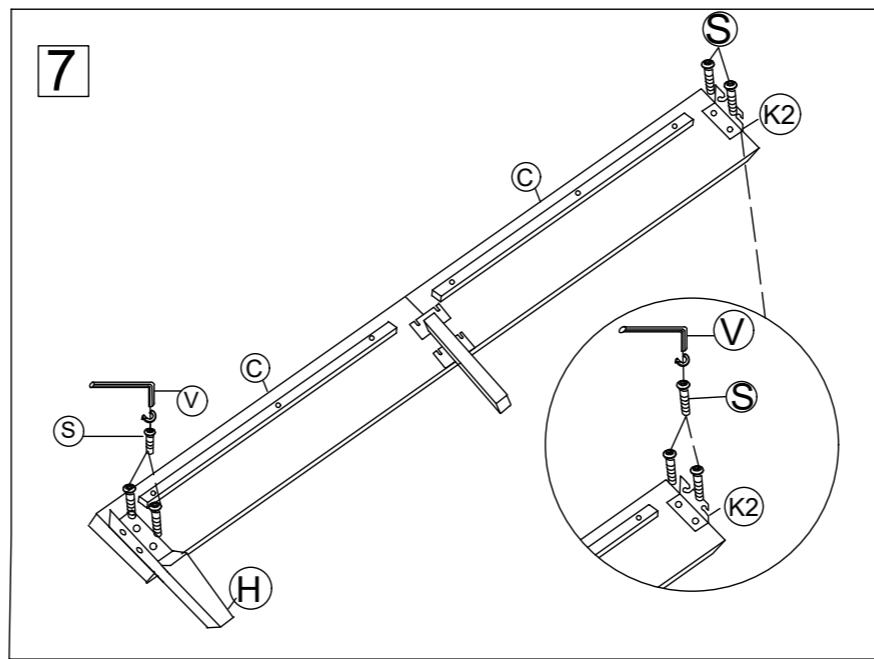
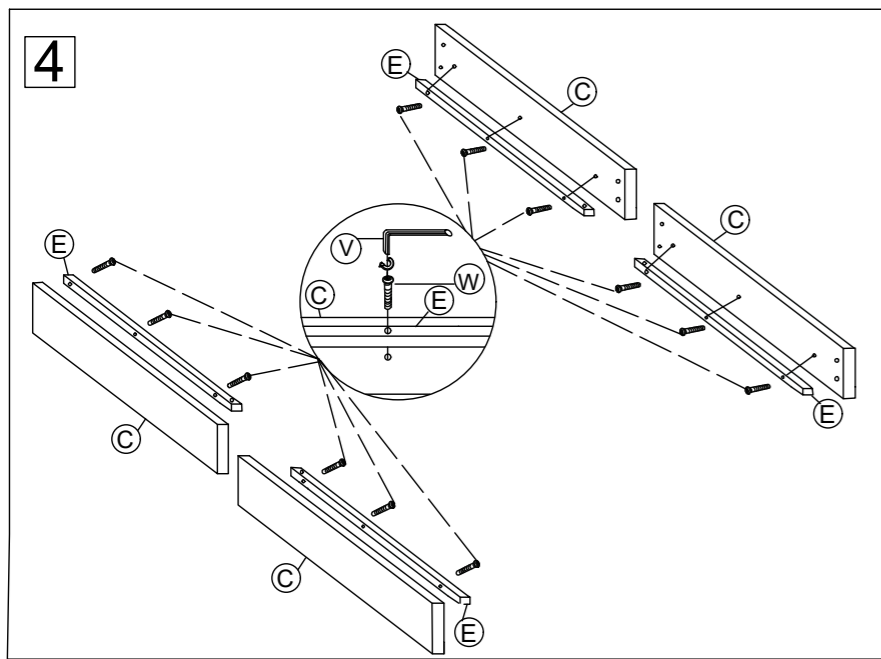
**EXPLODED VIEW**



**ASSEMBLY**

Before your installation, please make sure that you have all the parts listed on the manual. If you something missing, and contact supplier immediately.





Install the screws first, then lay out the bed slats.