

# INSTALLATION



## CAUTION

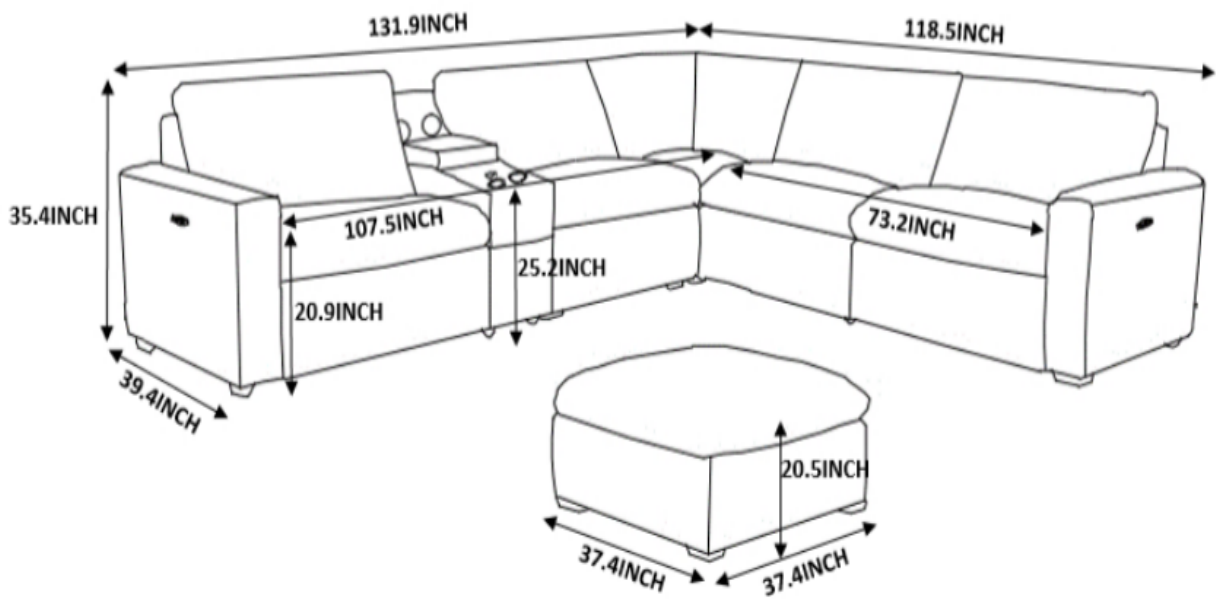
Parts are placed at the bottom of the product.

- If you have any questions with the product, please contact us

# Assembly Instructions

Your recliner comes packaged **Seven** boxes. Carefully remove all of components from the packaging and set aside for assembly.

**CAUTION**  
**DO NOT** use any sharp objects to open plastic wrapped components as this may result damage to product or components .

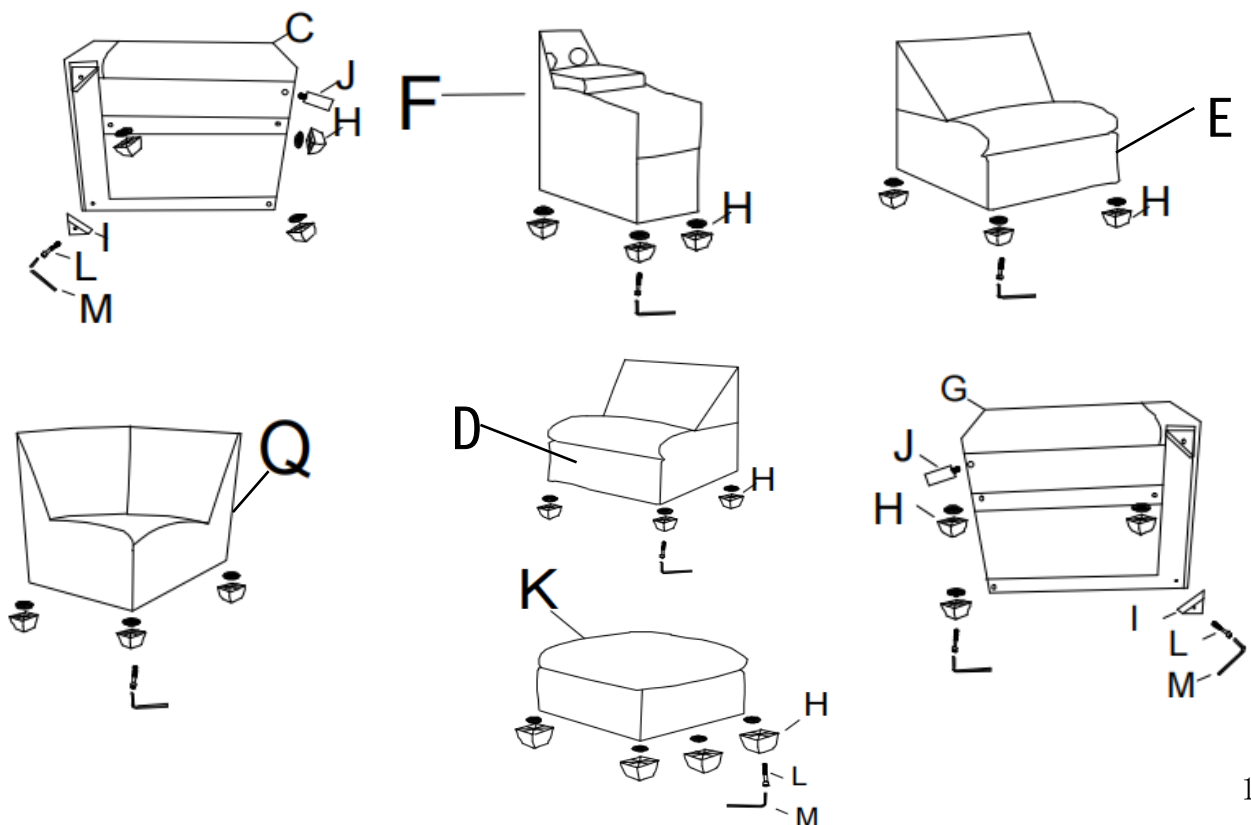


# Package Contents

										BOX
A*1	B*1	C*1	H*3	J*1	L*5	M*1	N*1	O*1	I*2	
										BOX
F*1	H*4	L*4	M*1							
										BOX
A*1	B*1	D*1	F*1	H*4	L*5	M*1				
										BOX
H*4	L*4	M*4	P*2	Q*1						
										BOX
A*1	B*1	E*1	F*1	H*4	L*5	M*1				
										BOX
A*1	B*1	G*1	H*3	J*1	L*5	M*1	N*1	O*1	I*2	
										BOX
K*1	H*4	L*4	M*4							

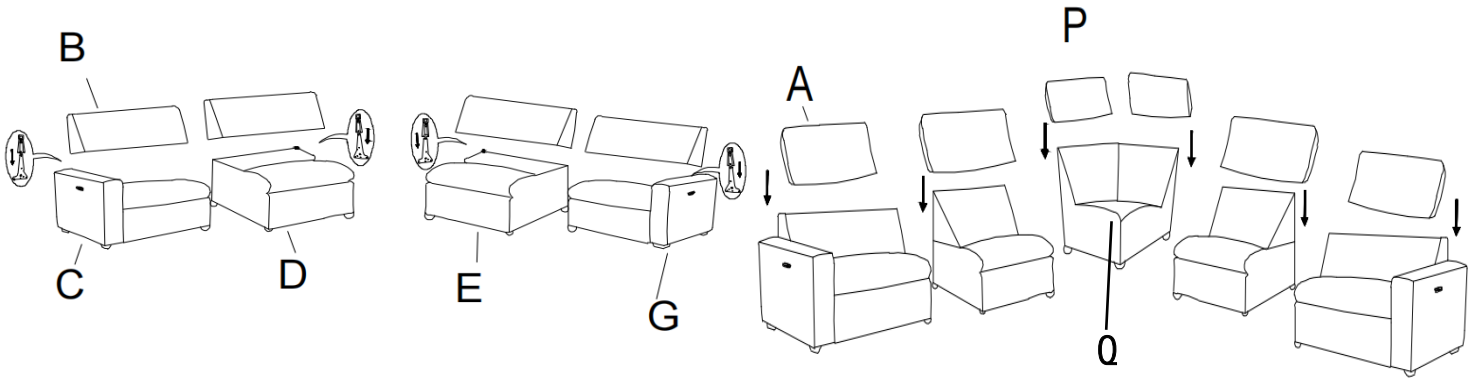
## STEP 1:

Using the **Screwdrivers(M)** to screw **Screws(L)** into the screw hole at the bottom of the **Seat(C)**, then install the **Feet(H, I and J)** to the **Seat(C)**. Please follow the same method of installing the feet to the bottom of each part of the sofa.



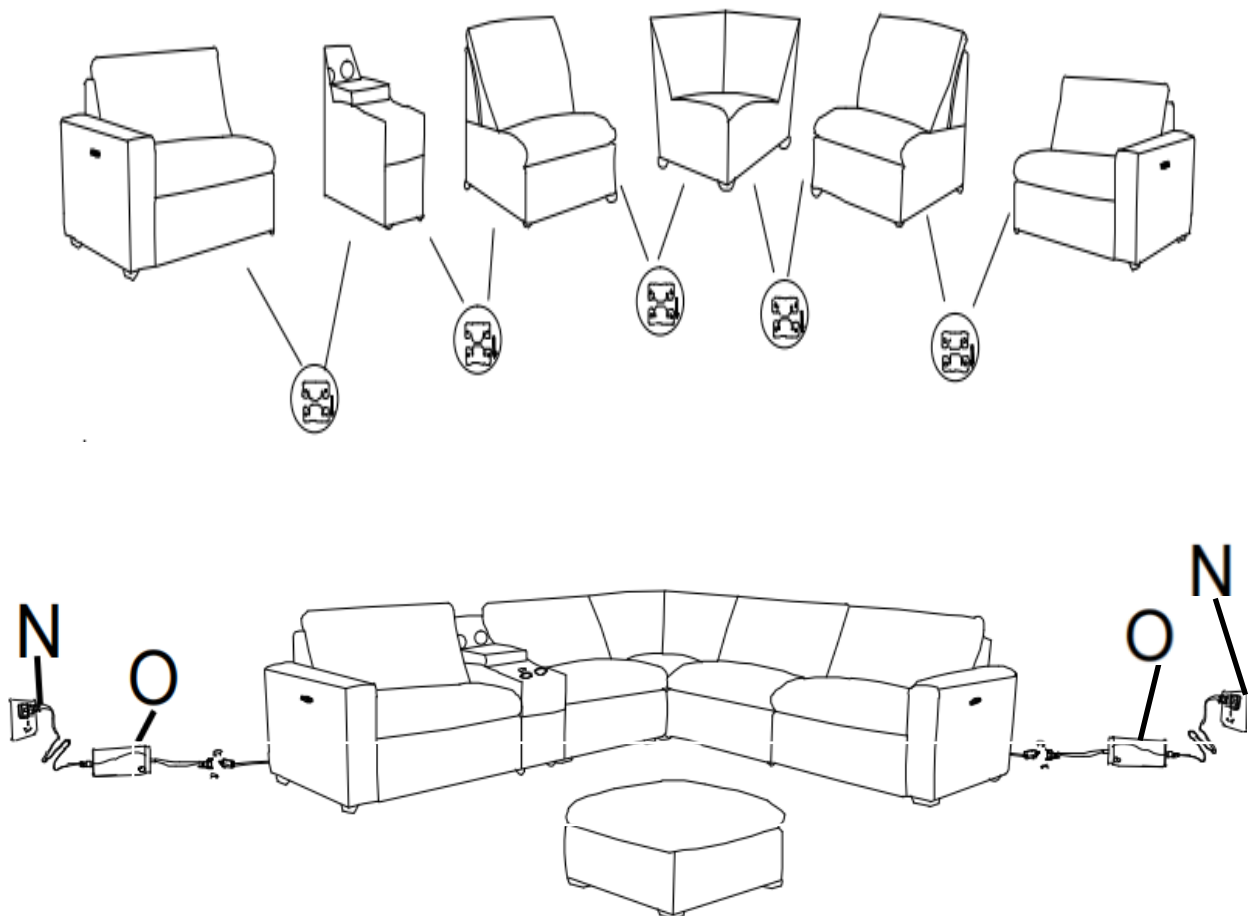
## STEP 2:

Attach the **Backrests(B)** to the **Seats(C,D,E and G)** via the metal slot. Ensure the backrests are fully inserted to the bottom along the metal slot to avoid tilting or moving. Then attach the **Backs(A)** to the **Backrests(B)** via the slot without moving. Next, attach the **Backs(P)** to the **Middle Seat(Q)** via the slot without moving.



## STEP 3:

Attach the pieces of sofa together via the slot. Then connect the **Plugs(N)** through the **Plug adapters(O)**. The installation is complete.



## Warnings

1. Please check if the components of the chair are all included and can be used normally.
2. Assemble all components according to the instruction correctly before you connect the chair to the power.
3. Please DO NOT sit on the armrests or footrest to eliminate the risk of tipping over.
4. If the chair is damaged or doesn't match the website description, please send clear pictures of the product and label of the carton to our service team for further help.
5. If the recliner doesn't work, you may try the following measures for self-checking firstly:
  - a) Check if all the cables are connected;
  - b) Check if the light of transformer is on.If the chair still doesn't work, please feed the information back to our customer service in time and we'll help you solve the matter as soon as possible.
6. If you have any questions with the product, please contact us.

