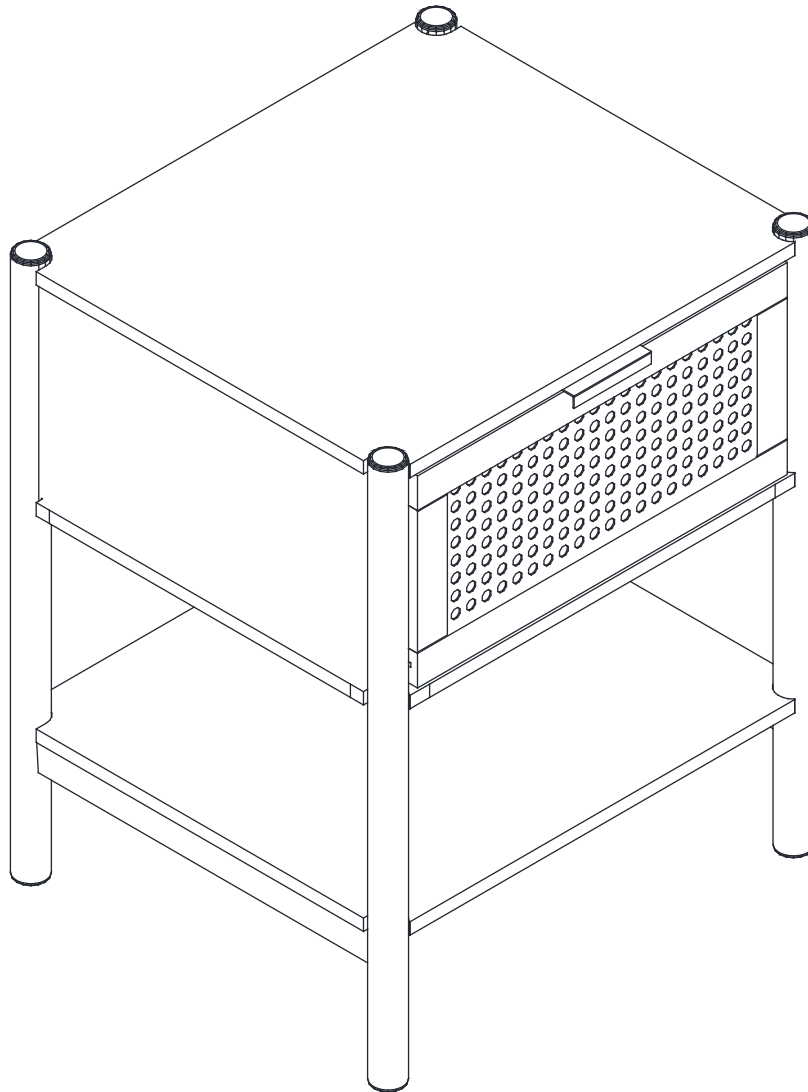


# Installation Instruction



Product name

---

## 1 Drawer Cabinet

Ver.1.0 20220912

# Assembling

---

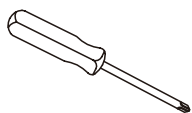
Estimated time for assembly



**25:00**

What you need

- Use the packaging carton as a working surface to prevent product damage during assembly
- Phillips head screwdriver



Weight Limitation



**44**

lbs table top

**22**

lbs per drawer

## What's included

---

Code	Description	Qty
A	Cam Bolt M6X35mm	8
B	Cam Lock Ø15X9mm	8
C	Handle	1
D	Screw Ø3.5x12mm (Gold)	2
E	Slider Set	1
F	Wooden Dowel Ø6x30mm	12
G	Screw Ø4x30mm	8
H	Plastic Corner Support	4
I	Screw Ø3x14mm	4
J	Screw Ø3.5x12mm	12
K	Pads	4
L	Screw Ø4x40mm	4

# The Hardwares

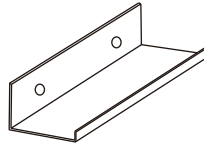
A



B



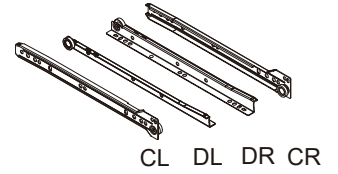
C



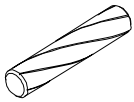
D



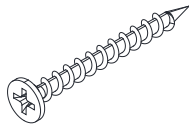
E



F



G



H



I



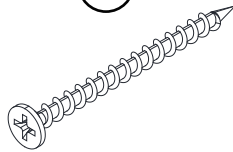
J



K



L



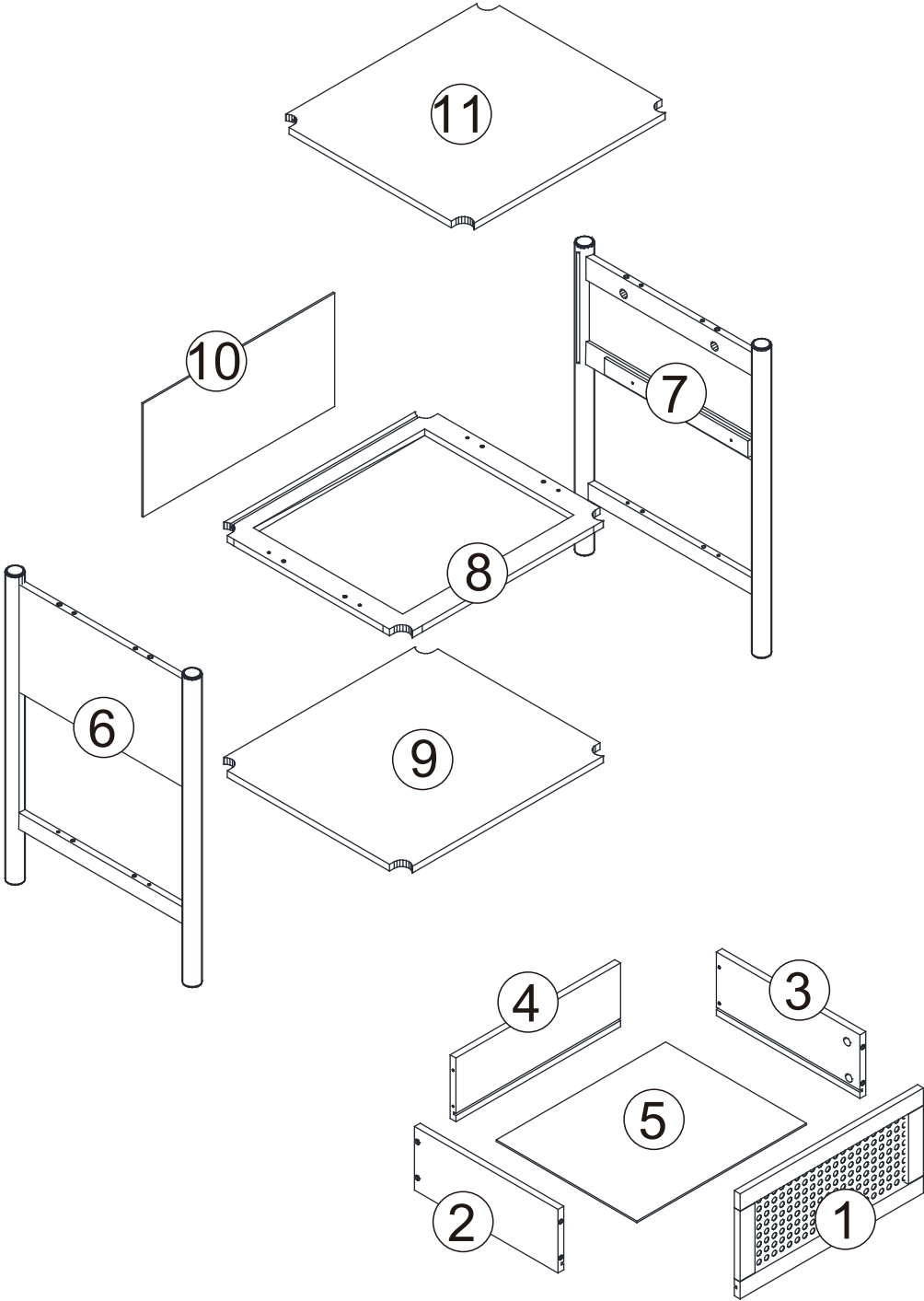
## IMPORTANT:

1. Do not tighten bolts / screws completely until all bolts / screws are lined up and inserted into holes.
2. Do not over tighten screws and bolts to avoid stripping.
3. Please use hand tools to assemble this product. Do not use power tools.

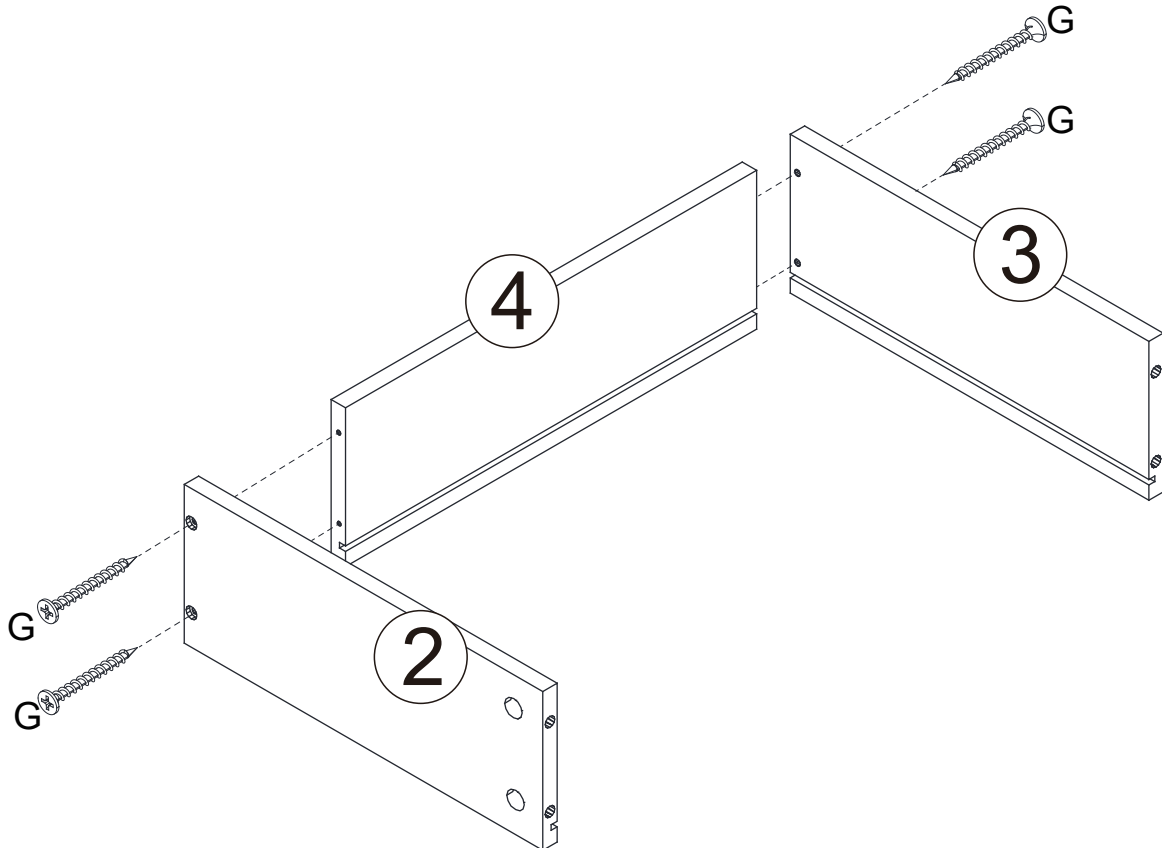
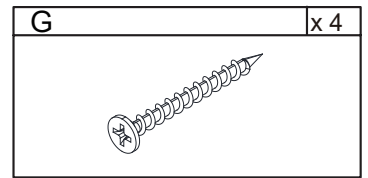
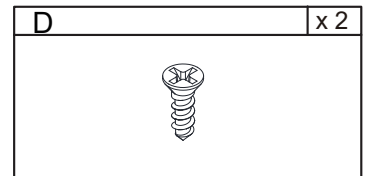
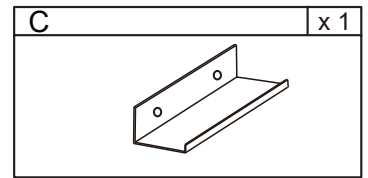
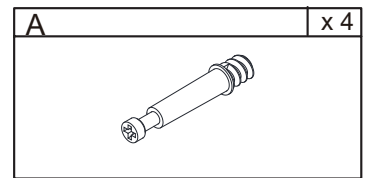
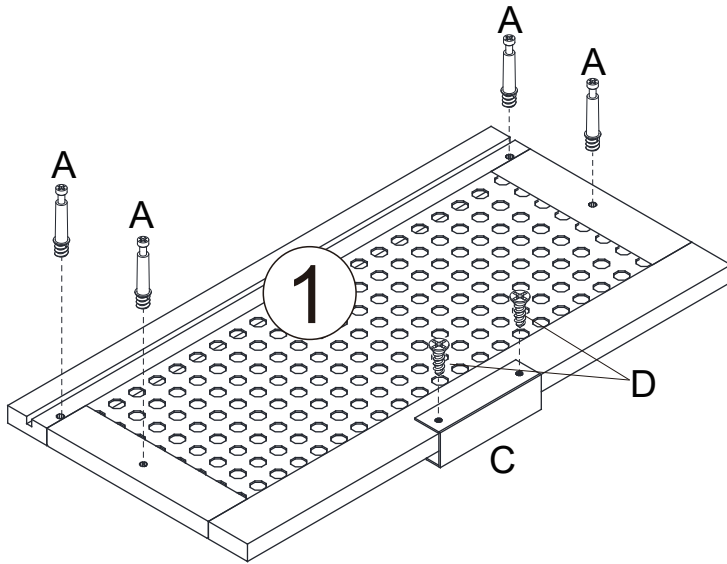
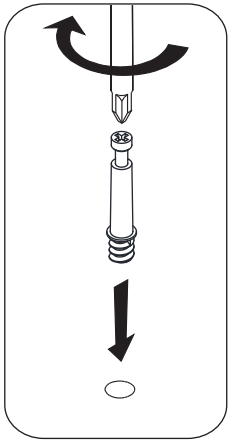
# Included Accessories

Code	Description	Qty
1	Drawer Front	1
2	Drawer Left Side Panel	1
3	Drawer Right Side Panel	1
4	Drawer Back Panel	1
5	Drawer Bottom Panel	1
6	Left Side Panel	1
7	Right Side Panel	1
8	Middle Bottom panel	1
9	Bottom Panel	1
10	Back Panel	1
11	Cabinet Top	1

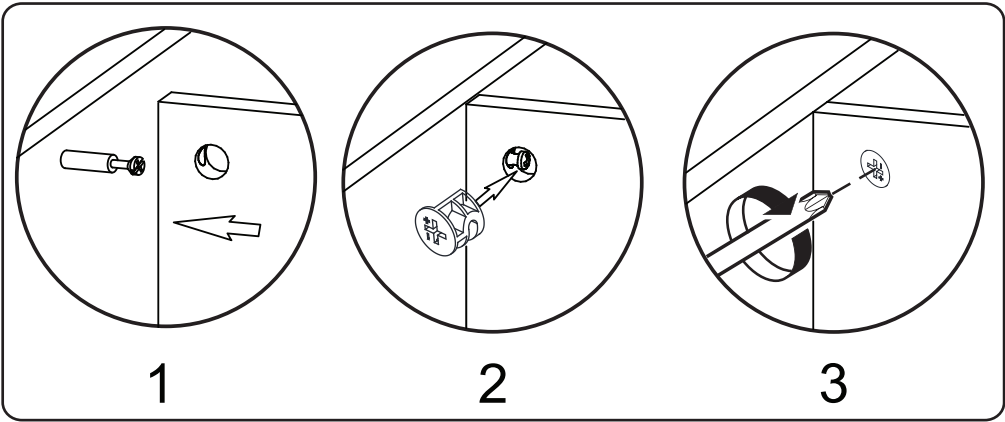
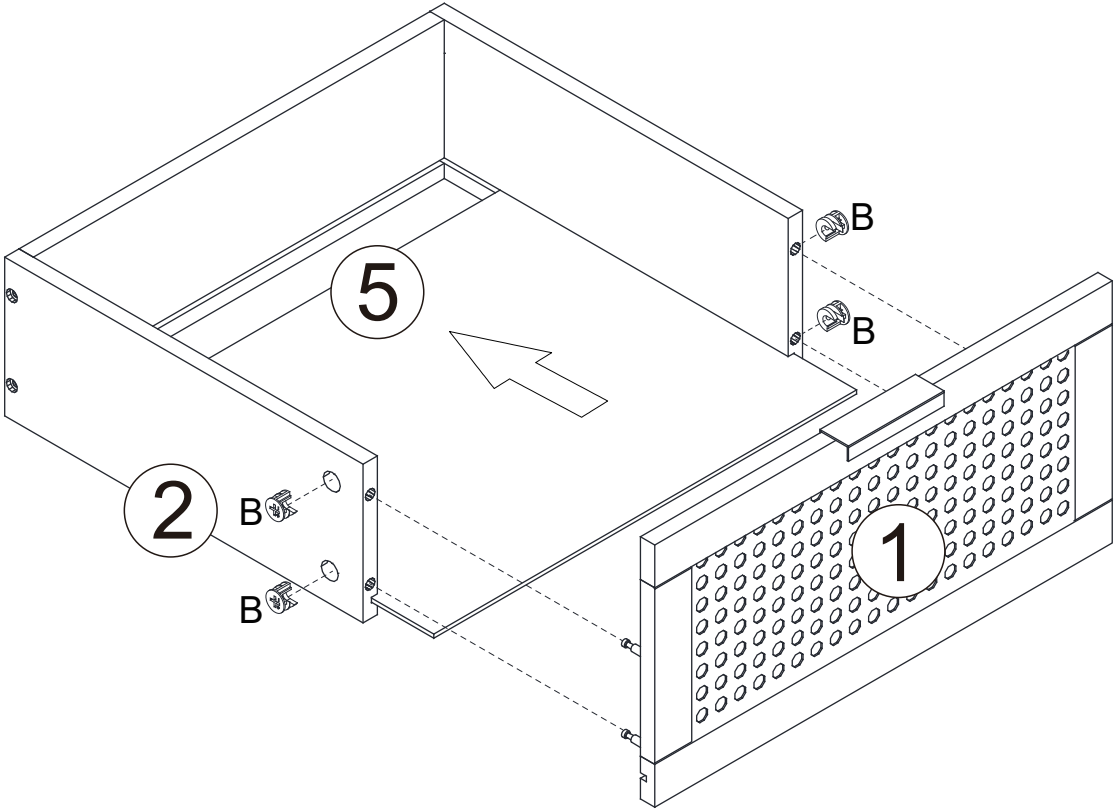
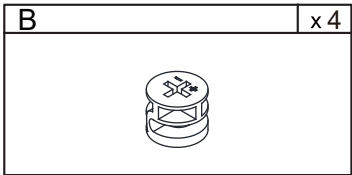
# The Accessoriess



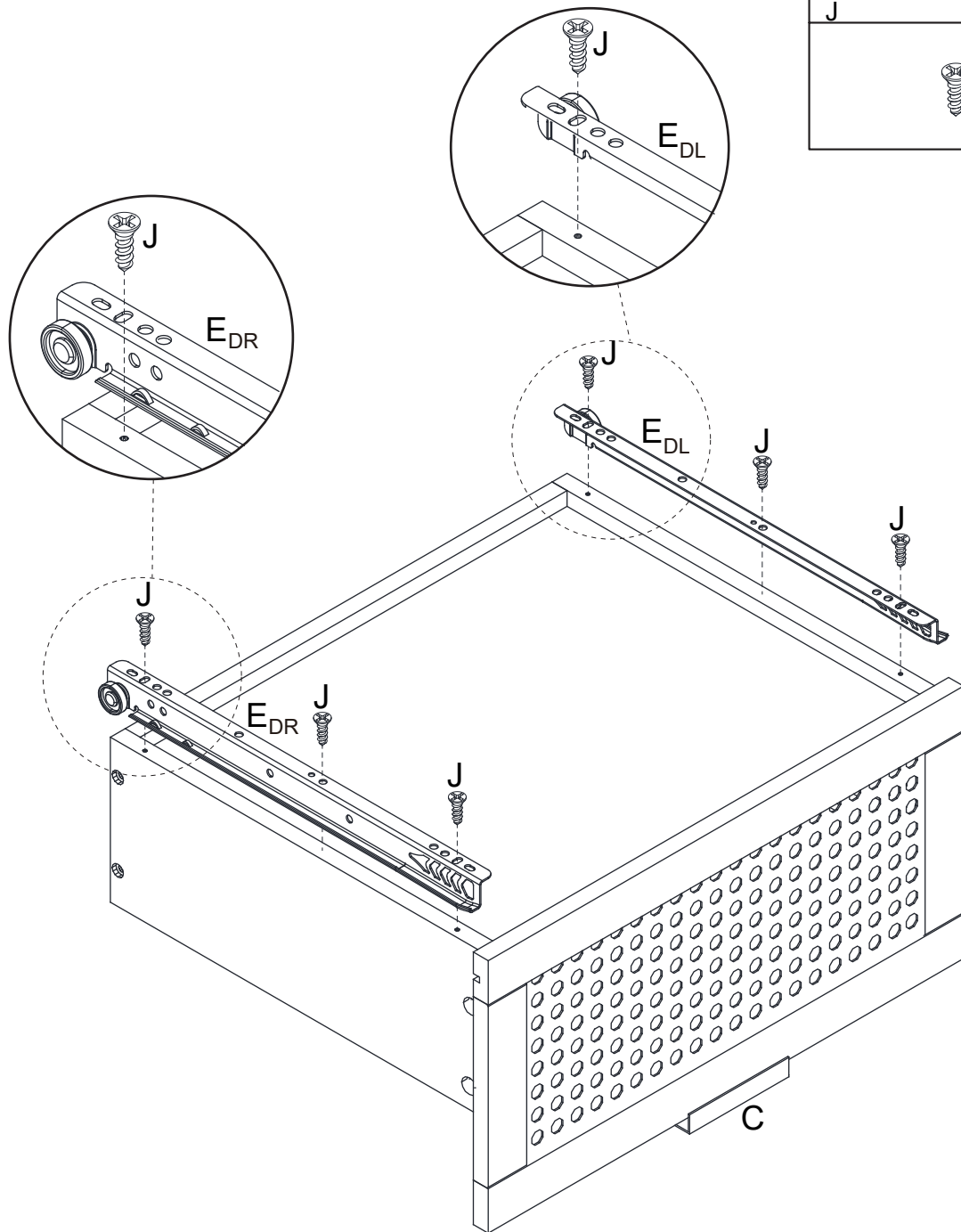
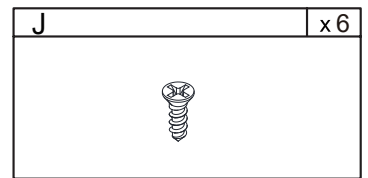
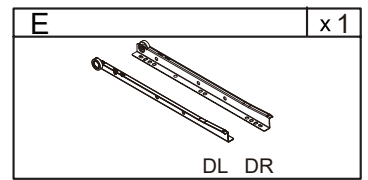
# Step 1



# Step 2



# Step 3

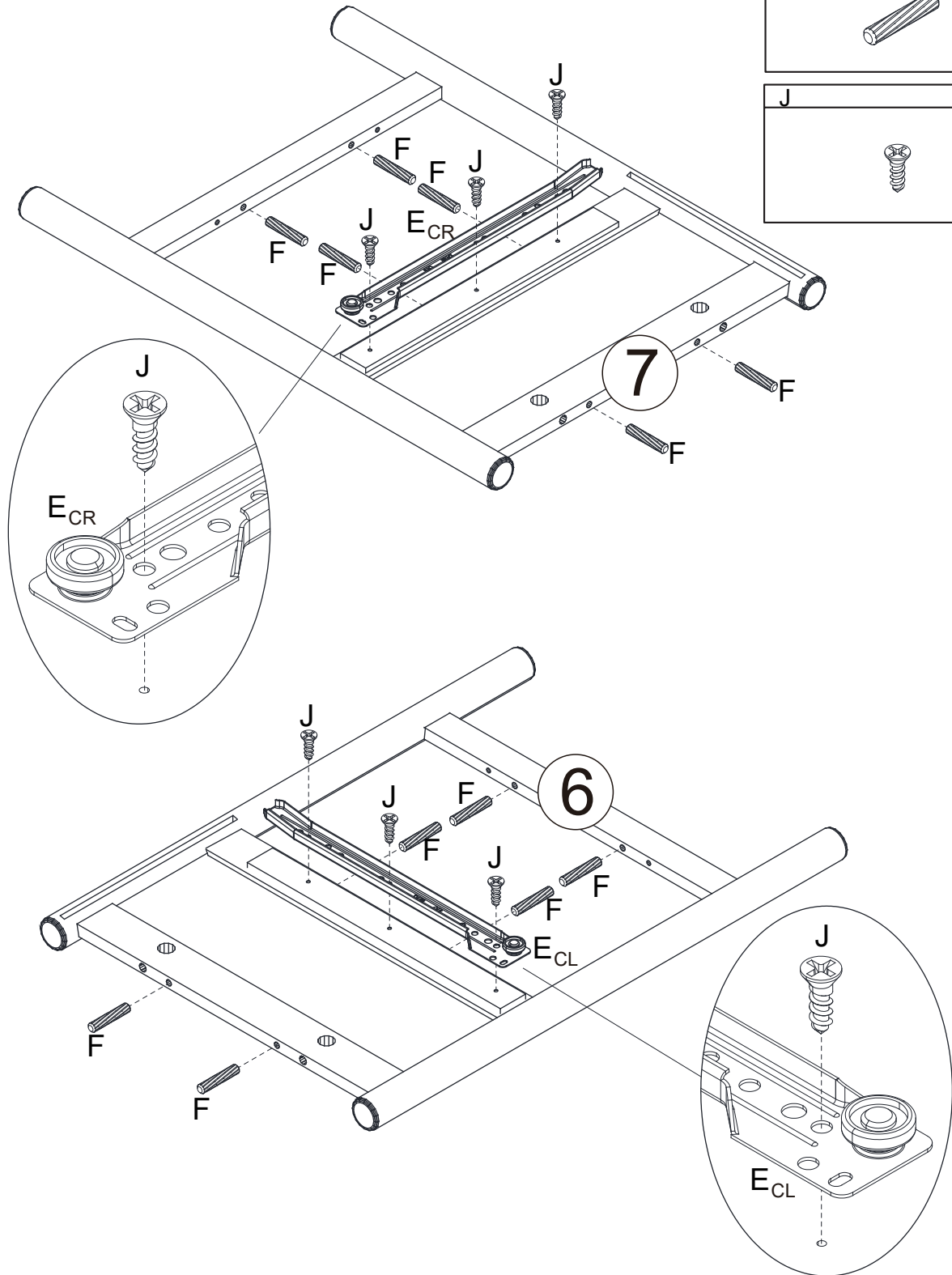


# Step 4

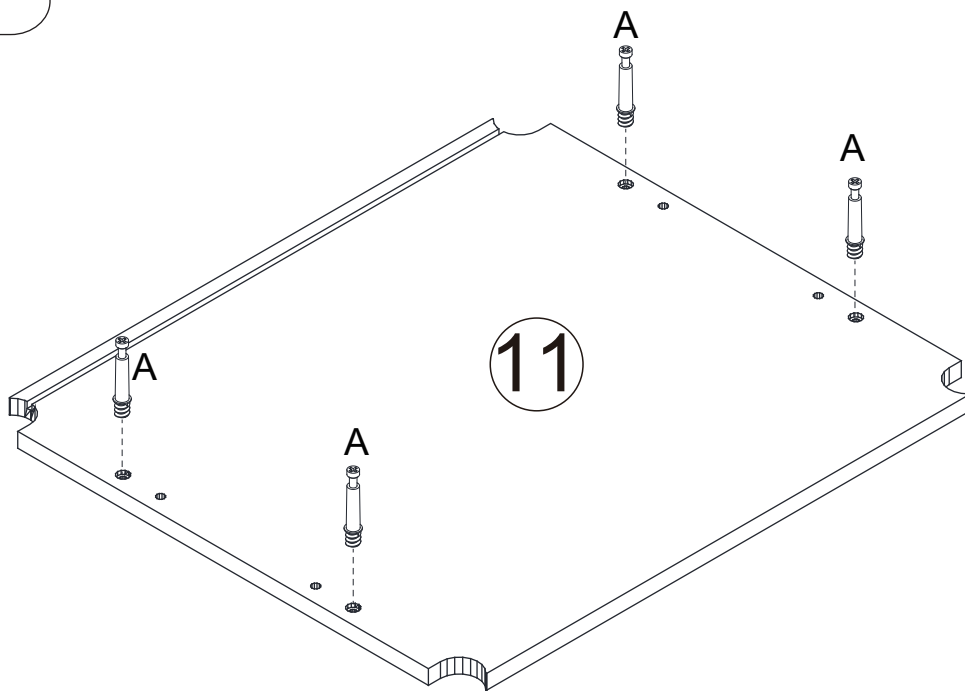
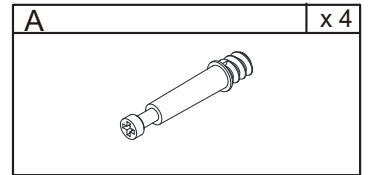
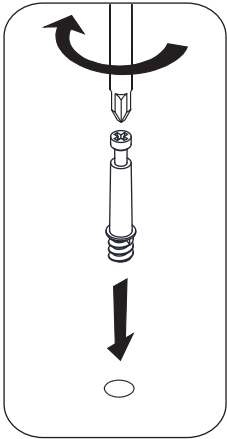
E	x1
CL	CR

F	x12

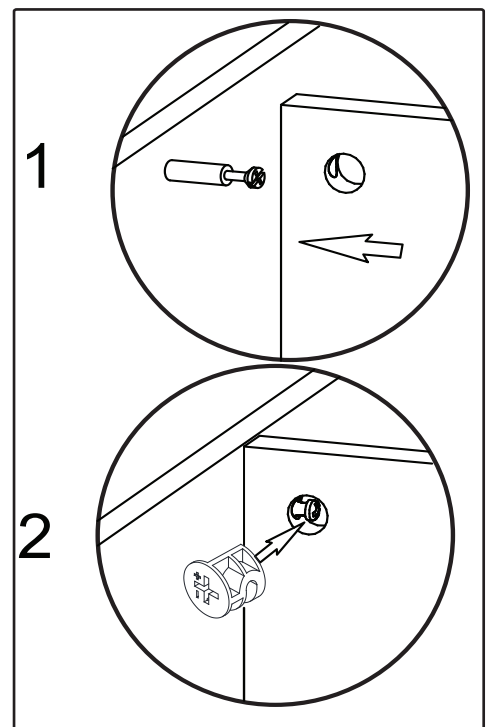
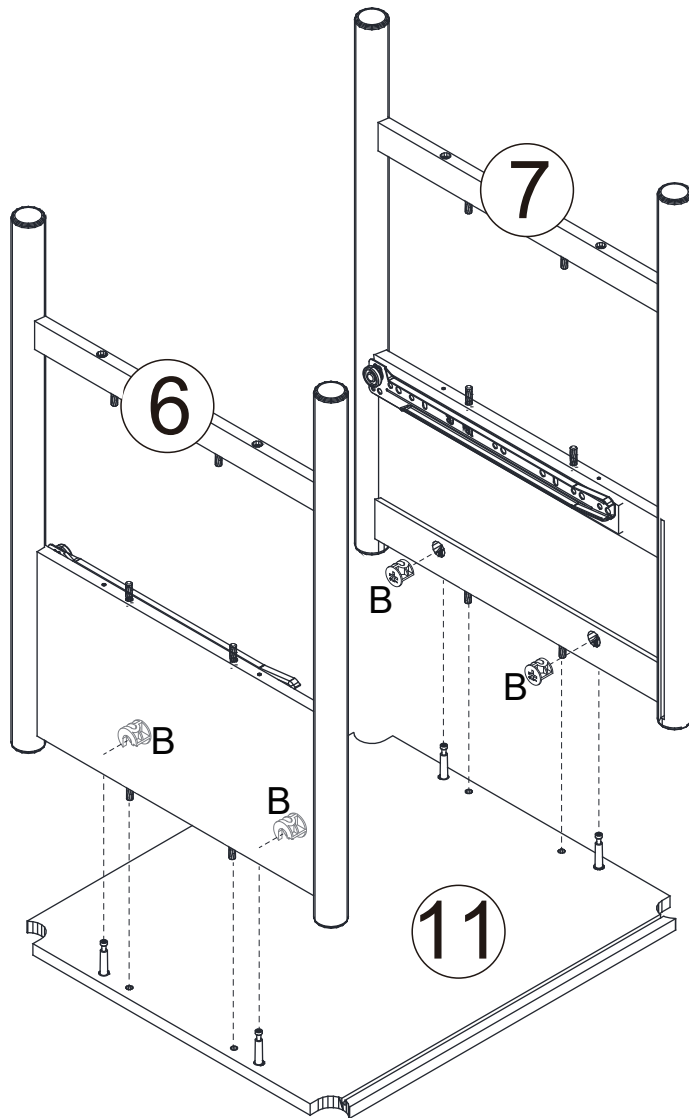
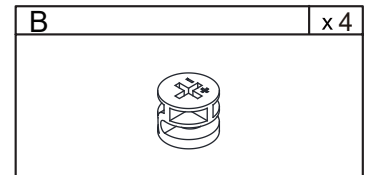
J	x6



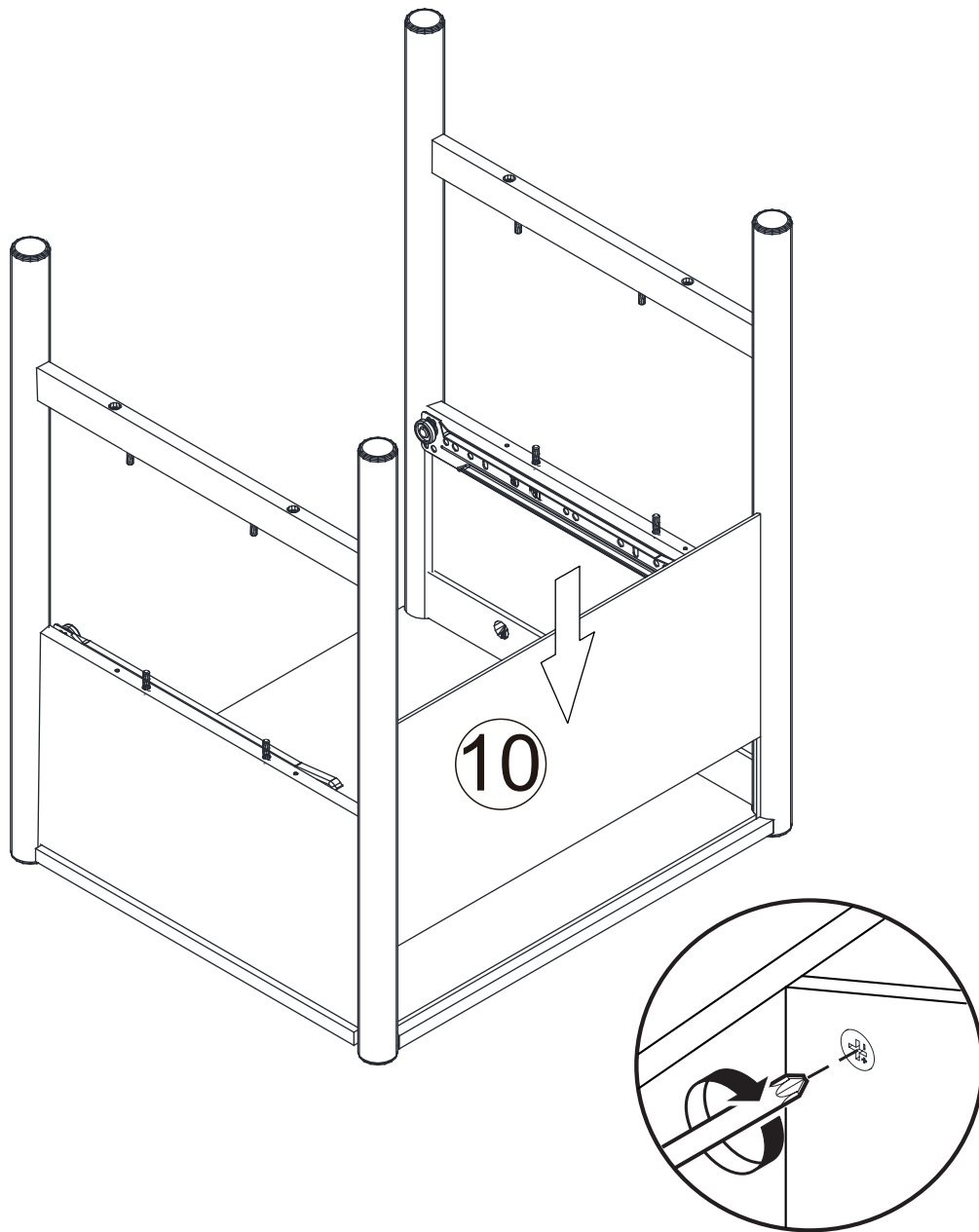
# Step 5



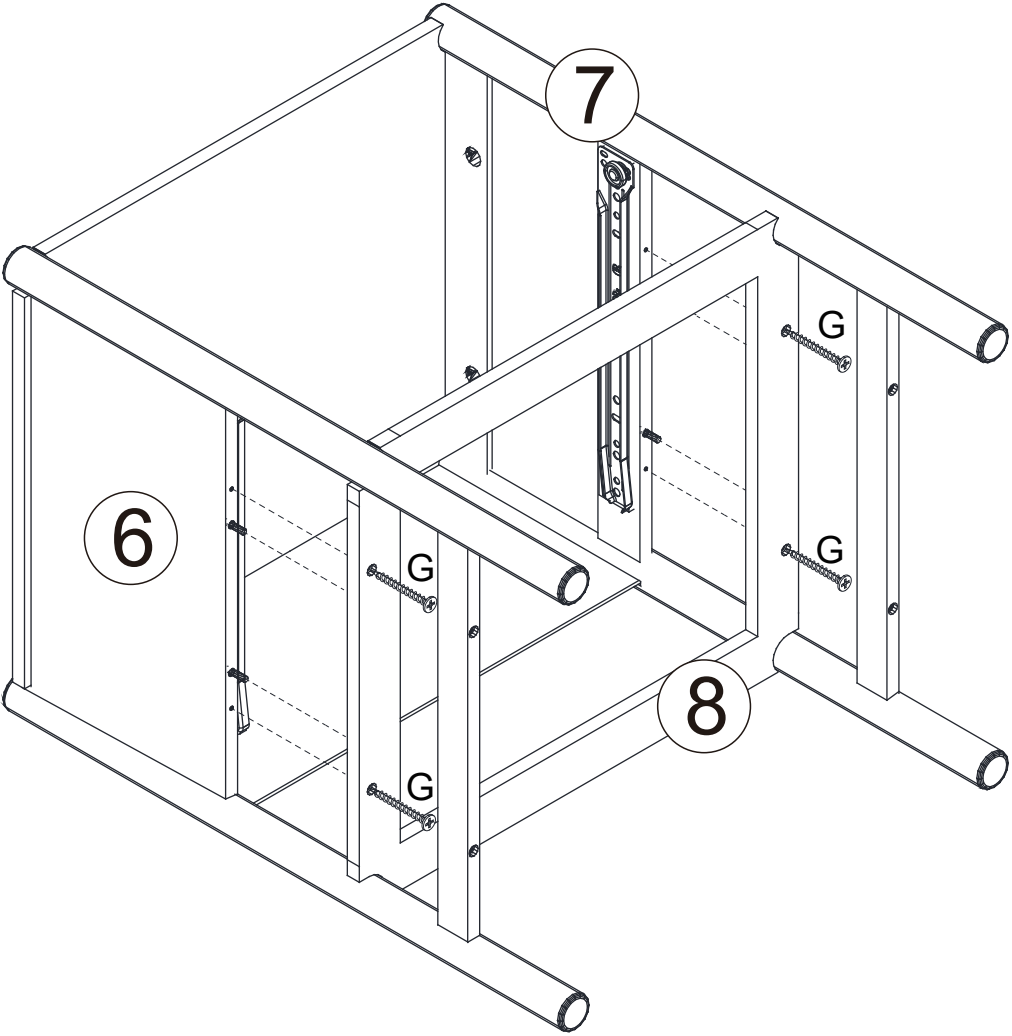
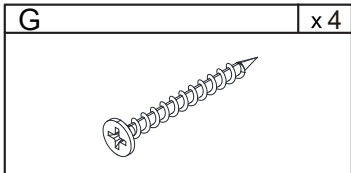
# Step 6



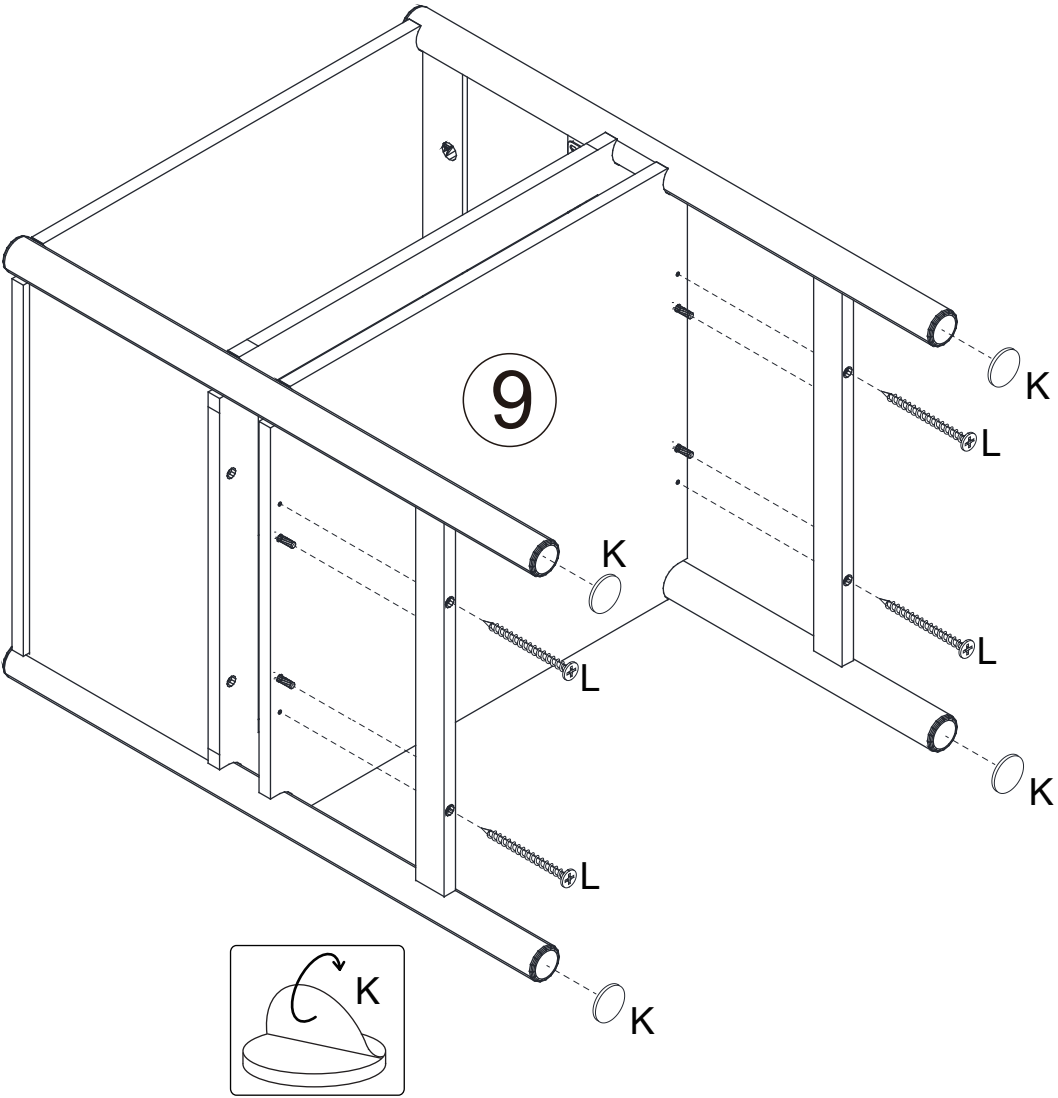
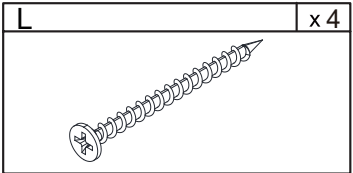
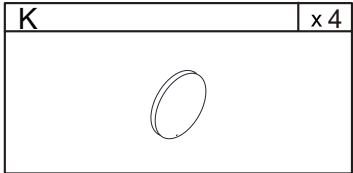
# Step 7



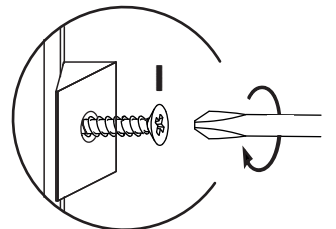
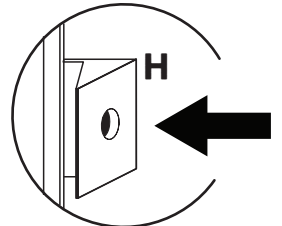
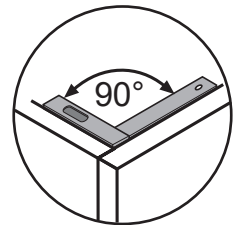
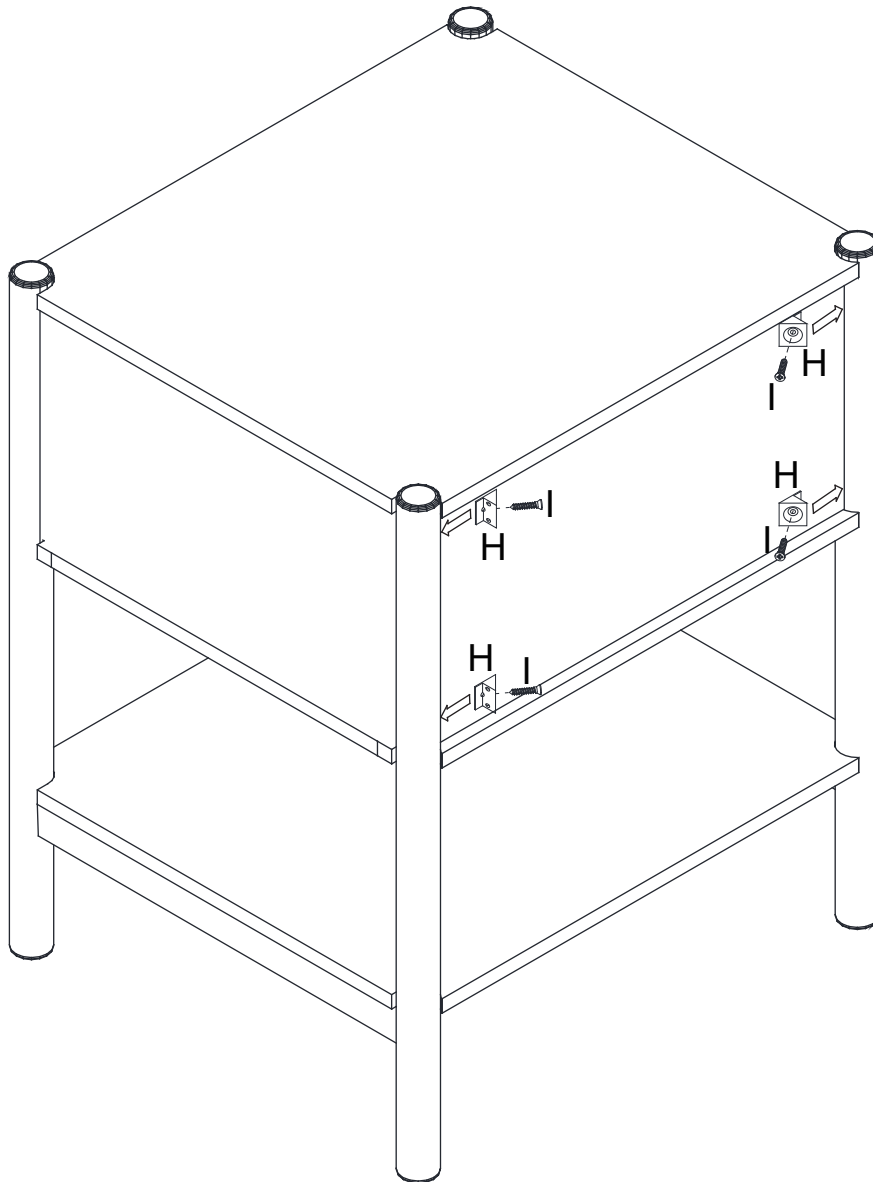
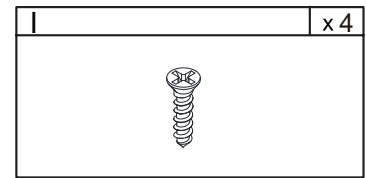
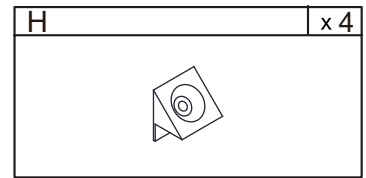
# Step 8



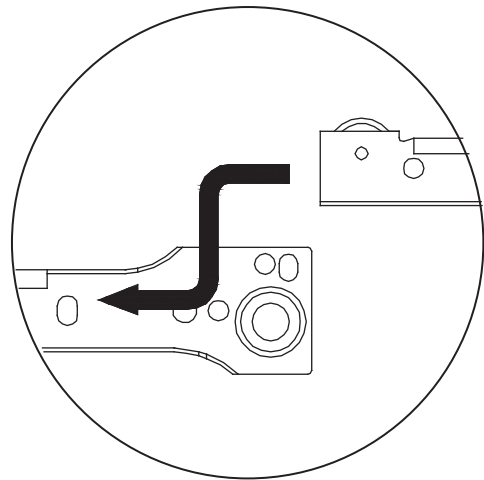
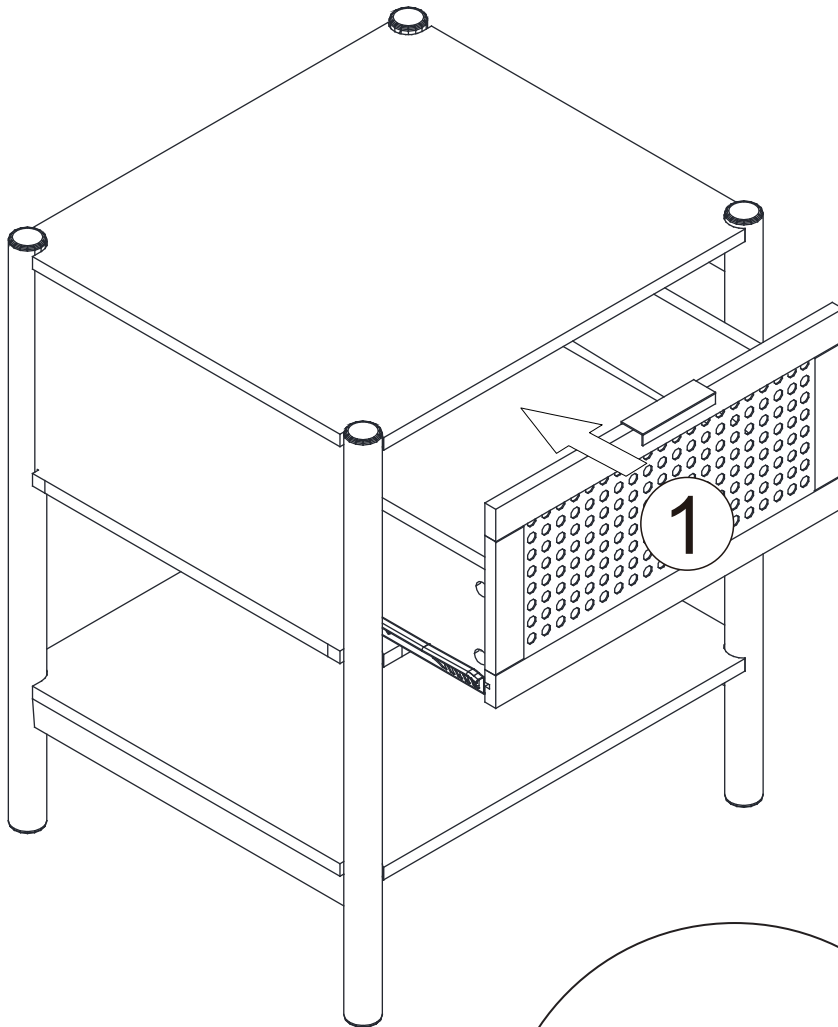
# Step 9



# Step 10



# Step 11



# Proper Use

- DO NOT use for commercial purposes
- DO NOT use as a step stool or stand on table
- DO NOT put hot serving liquid directly on the table top
- DO NOT leave spilled liquid on the table top
- DO NOT use table if damaged
- DO NOT exceed weight limit
- DO NOT make temporary repairs
- DO NOT use outdoor