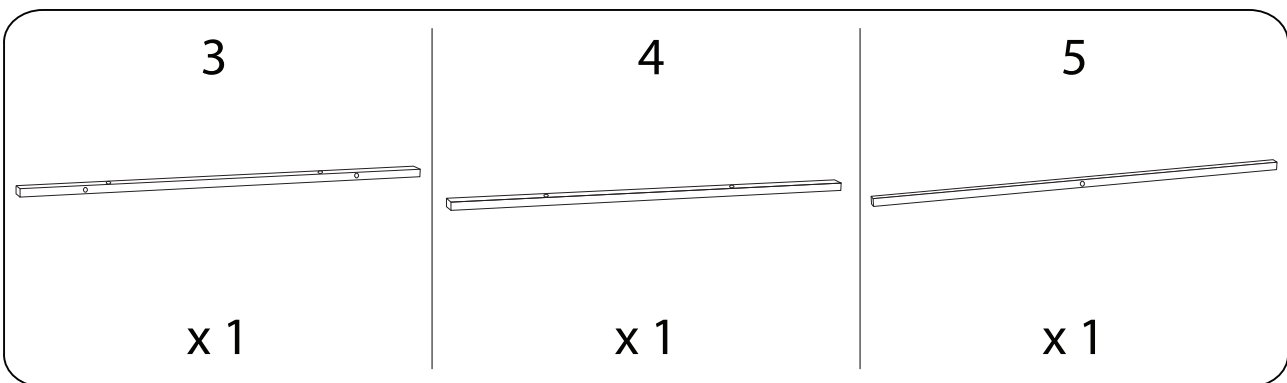
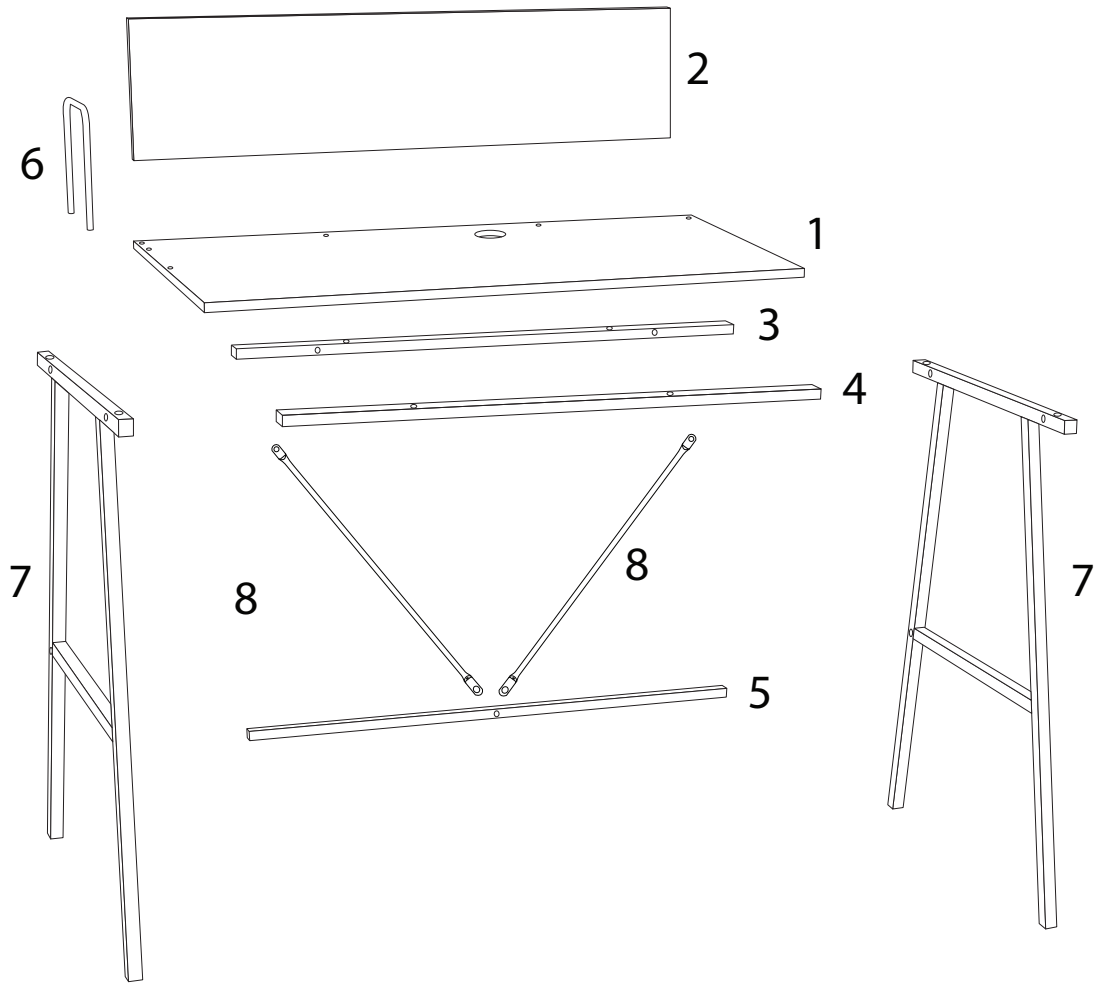
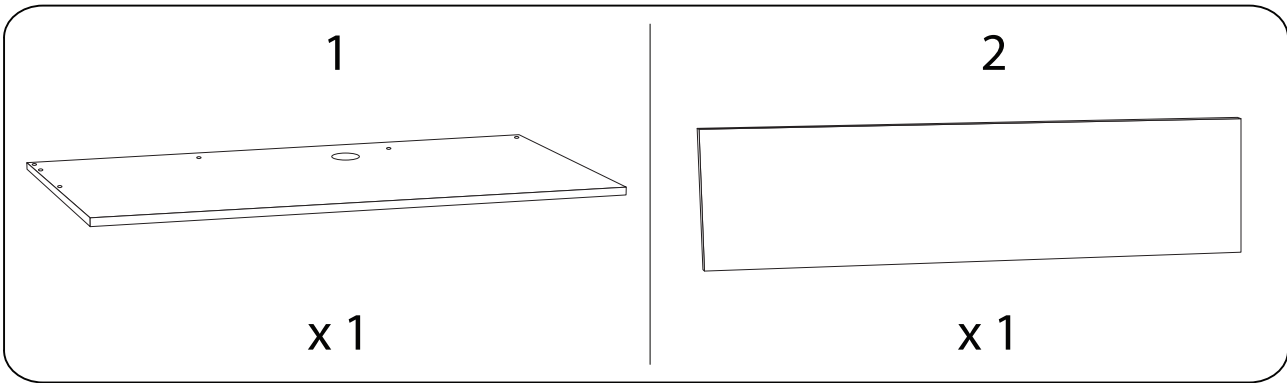




Assembly instructions for step 1/7:

- Tools: A screwdriver is shown as the required tool, and a power drill is shown with a diagonal line through it, indicating it is not to be used.
- Warning: A warning triangle with an exclamation mark is positioned above the tool icons.
- Time: A clock icon indicates a 30-minute estimated assembly time.
- Personnel: A person icon and the number "1" indicate that one person is required for this step.
- Warning: A second warning triangle with an exclamation mark is positioned below the tool icons.
- Diagram: A diagram shows a rectangular block being placed on a surface. A second diagram shows the block with a diagonal line through it, indicating it should not be placed on the surface in a certain way.

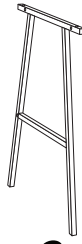


6



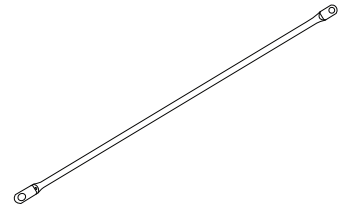
x 1

7



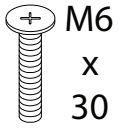
x 2

8



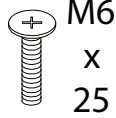
x 2

A



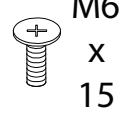
x 14

B



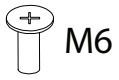
x 6

C



x 3

D



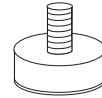
x 3

E



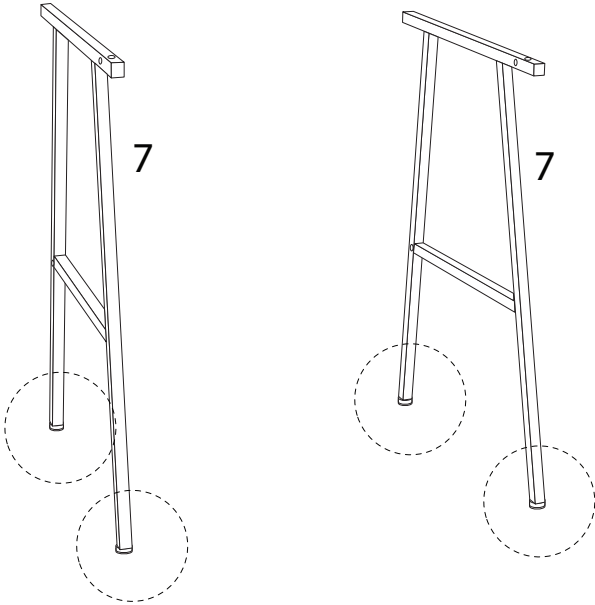
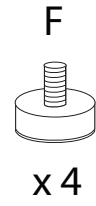
x 1

F

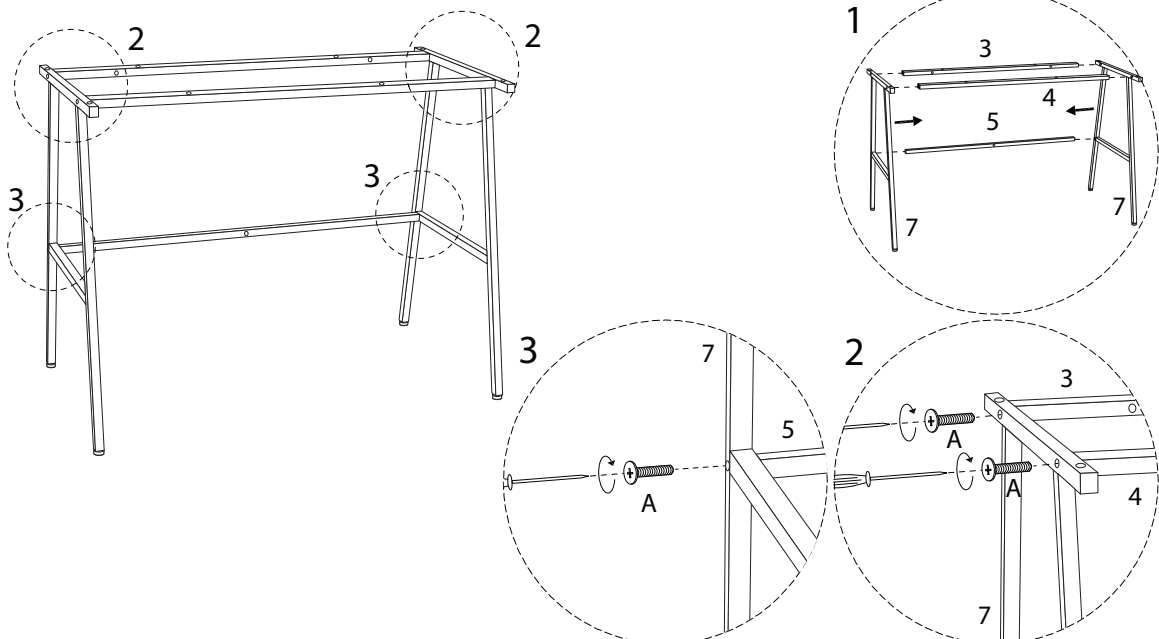
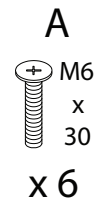
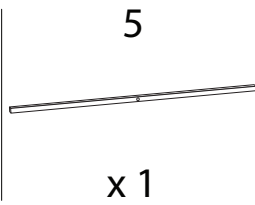
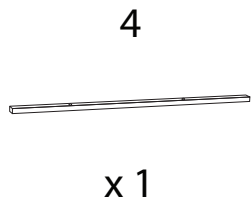
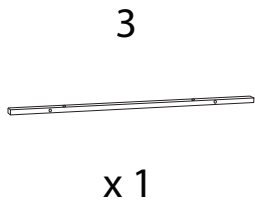


x 4

1

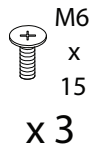


2



3

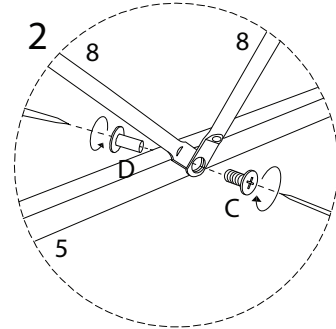
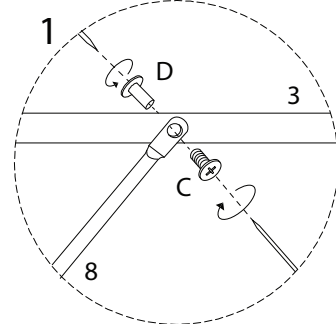
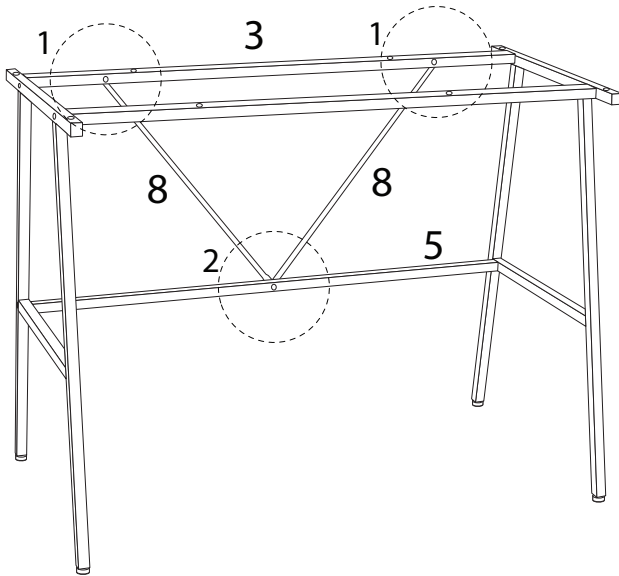
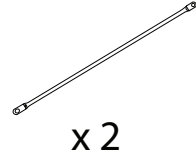
C



D

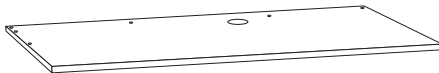


8



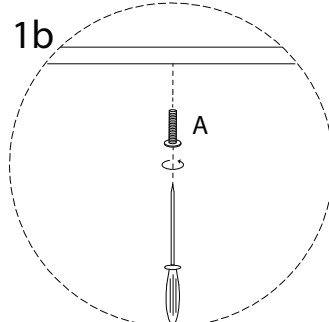
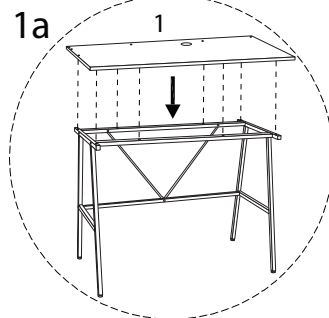
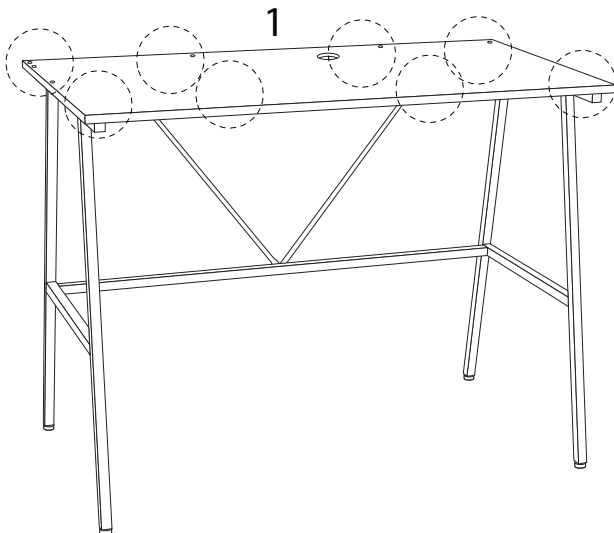
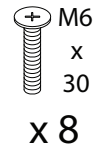
4

1

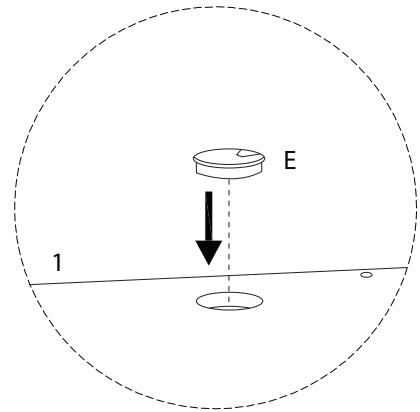
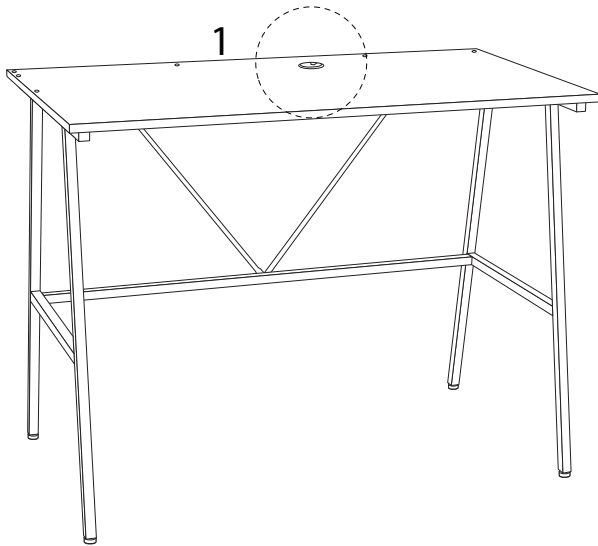
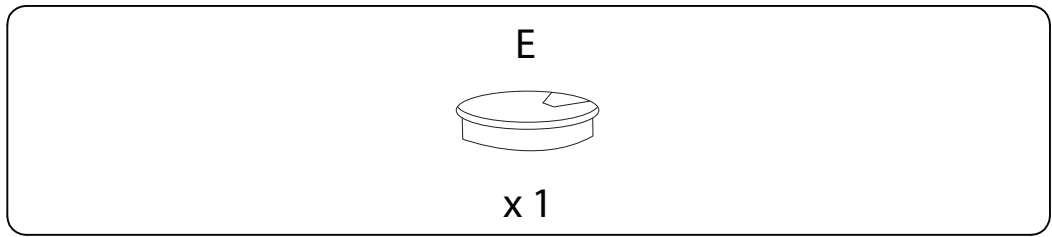


x 1

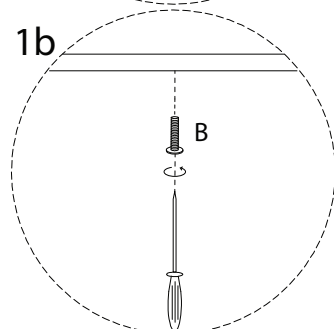
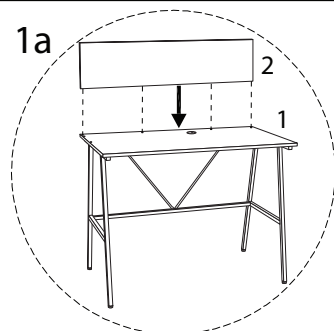
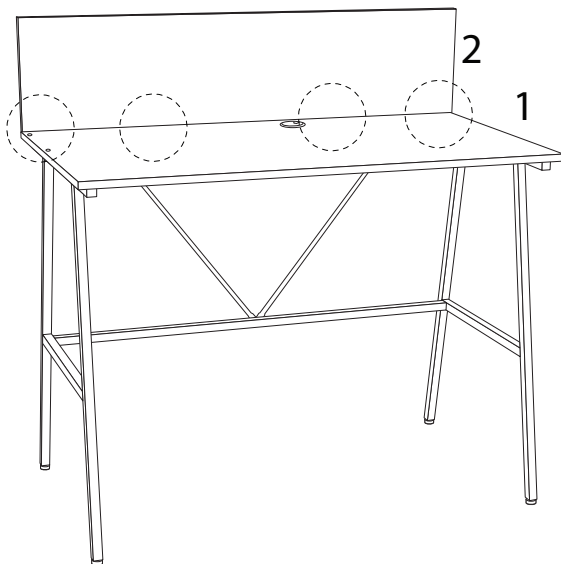
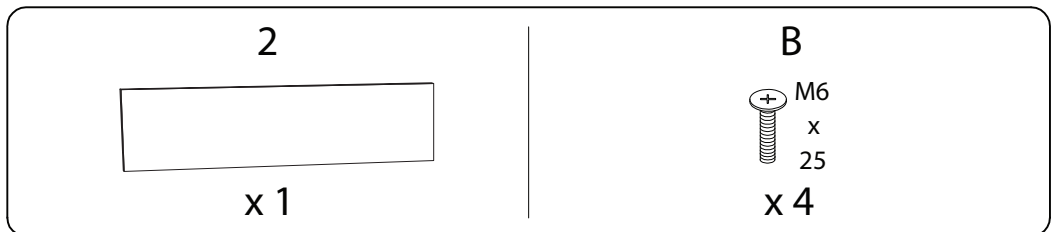
A



5



6



7

