

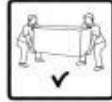
ASSEMBLY TIPS:

1. Remove hardware from box and sort by size.
2. Please check to see that all hardware and parts are present prior to start of assembly.
3. Please follow attached instruction in the same sequence as numbered to assure fast & easy assembly.



Warning!











1. Don't attempt to repair or modify parts that are broken or defective. Please contact the store immediately.
2. This product is for home use only and not intended for commercial establishment.






ASSEMBLY TIME 45 MINUTES



PARTS IDENTIFICATION

B1 (BOX 1)




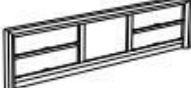
| | | | |
|----------|---|-------------------------------|------|
| A |  | HEADBOARD | 1PC |
| B |  | RIGHT HEADBOARD LEG | 1PC |
| C |  | LEFT HEADBOARD LEG | 1PC |
| D |  | FOOTBOARD | 1PC |
| E |  | DRAWER GLIDE WITH RAIL | 4PCS |
| F |  | ROLL SLAT (14 PCS SLAT) | 1SET |
| G |  | DRAWER FRAME | 1PC |
| H |  | CONCEAL PANEL | 2PCS |
| I |  | TRESTLE BAR | 2PCS |
| J |  | BED SLAT SUPPORT WITH LEVELER | 3PCS |

| | | | |
|----------|--|-----------------------------------|------|
| K |  | DRAWER FRAME SUPPORT WITH LEVELER | 1PC |
| L |  | TRIANGLE SUPPORT PANEL | 2PCS |
| M |  | BOTTOM CROSS RAIL | 3PCS |

B2 (BOX 2)

| | | | |
|----------|--|-------------|------|
| N |  | BED RAIL | 2PCS |
| O |  | CENTER RAIL | 1PC |

B3 (BOX 3)

| | | | |
|-----------|--|--------------------------------|-------|
| P |  | TOP DRAWER | 2 PCS |
| Q |  | BOTTOM DRAWER | 2 PCS |
| HB |  | *FROM BOX 1 HEADBOARD COMPLETE | 1PC |
| D |  | *FROM BOX 1 FOOTBOARD | 1PC |

ASSEMBLY TIPS:

1. Remove hardware from box and sort by size.
2. Please check to see that all hardware and parts are present prior to start of assembly.
3. Please follow attached instruction in the same sequence as numbered to assure fast & easy assembly.

**Warning!**

1. Don't attempt to repair or modify parts that are broken or defective. Please contact the store immediately.
2. This product is for home use only and not intended for commercial establishment.

HARDWARE IDENTIFICATION**Z - B1 (BOX 1) - Hardware pack is located in (B1)**

| | | | |
|---|---|-----------------|-------|
| 1 |  | FLAT HEAD SCREW | 41PCS |
| 2 |  | PAN HEAD SCREW | 24PCS |
| 3 |  | SHORT BOLT | 19PCS |
| 4 |  | LONG BOLT | 5PCS |
| 5 |  | FLAT WASHER | 21PCS |
| 6 |  | LOCK WASHER | 21PCS |
| 7 |  | ALLEN WRENCH | 1PC |

Z - B2 (BOX 2) - Hardware pack is located in (B2)

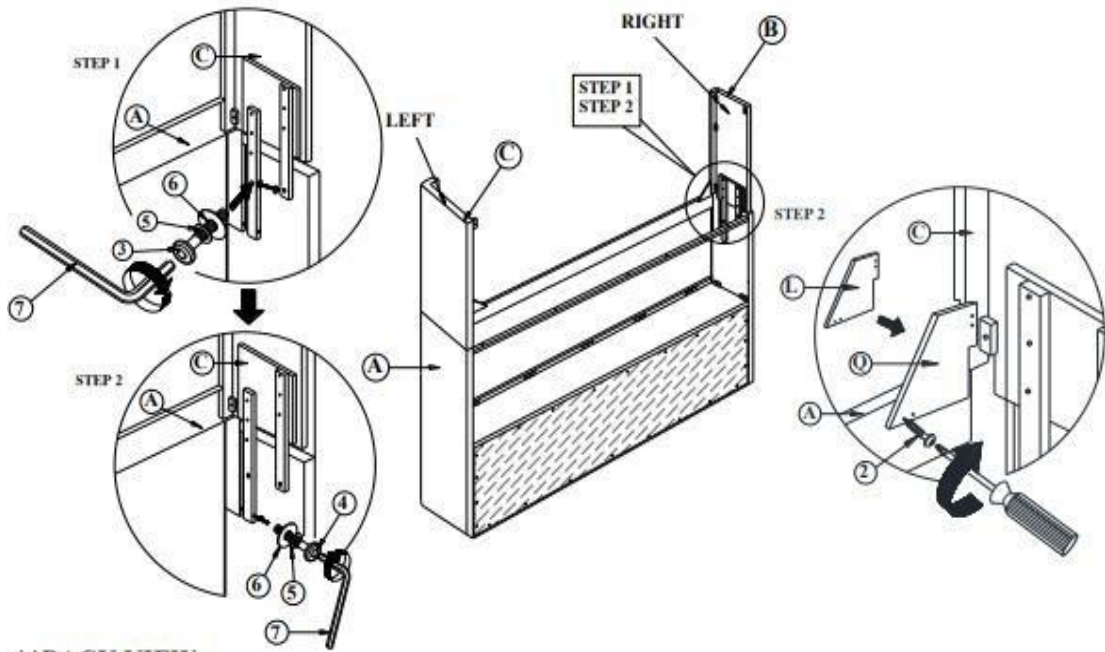
| | | | |
|---|--|----------------|-------|
| 8 |  | HINGE | 2SETS |
| 9 |  | PAN HEAD SCREW | 16PCS |

NOTE : PHILLIPS HEAD SCREW DRIVER IS REQUIRED IN THE ASSEMBLY PROCESS ; HOWEVER MANUFACTURER DOES NOT PROVIDE THIS ITEM.

(B1) - BOX 1

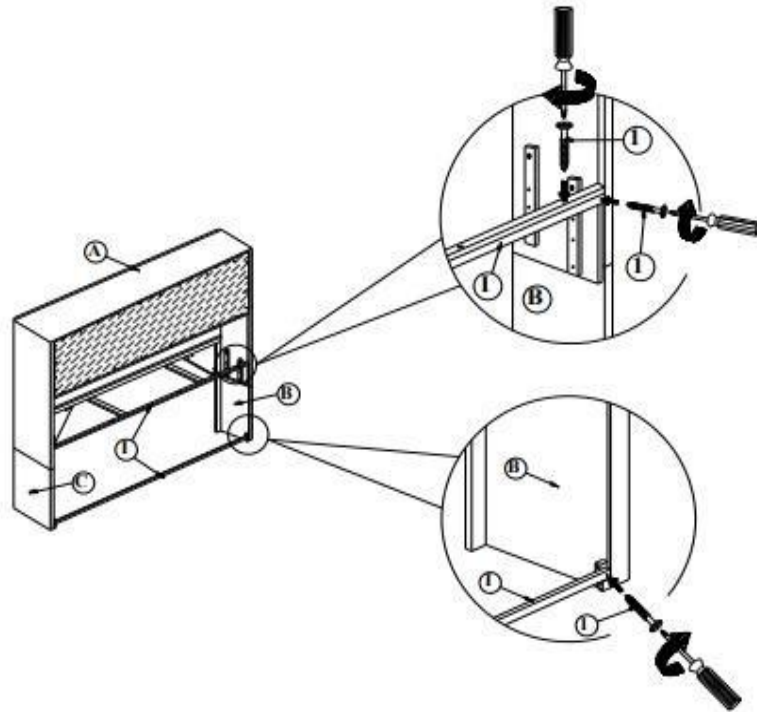
STEP 1

STEP 2



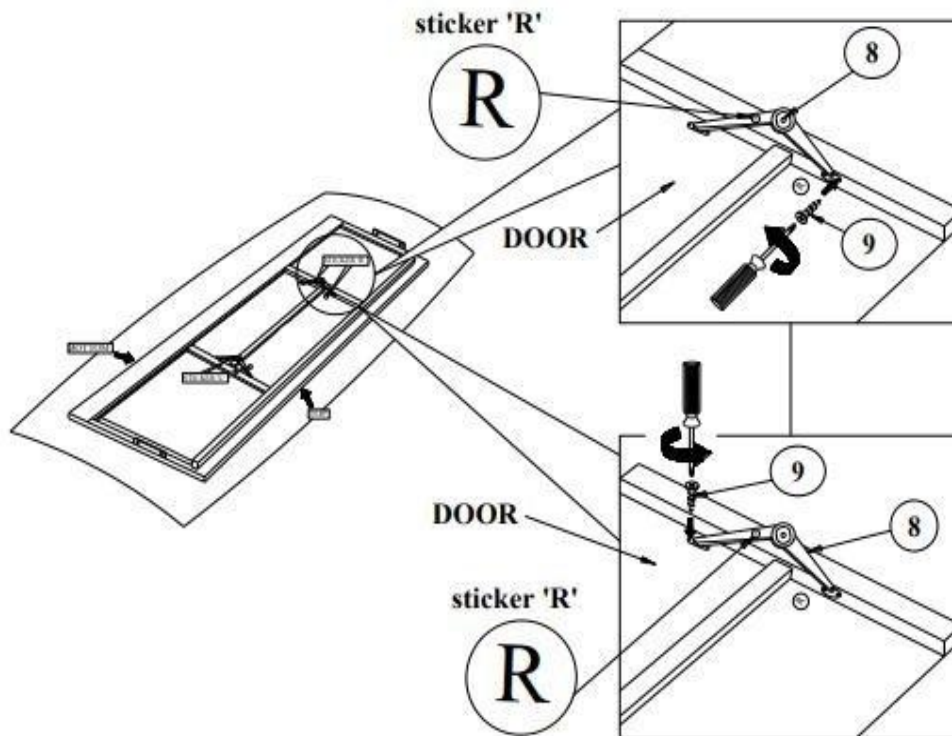
****BACK VIEW**

STEP 3



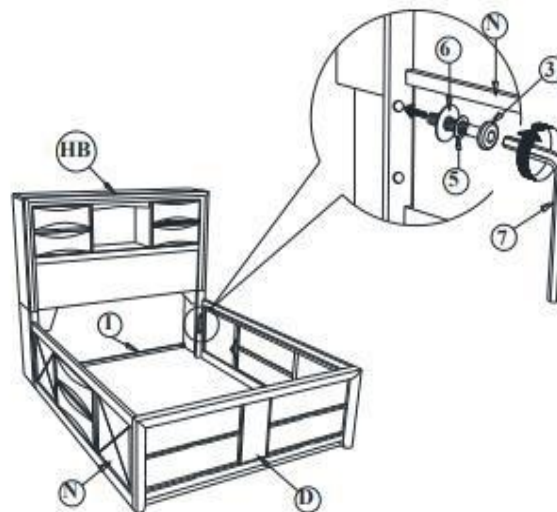
(B2) - BOX 2

STEP 4

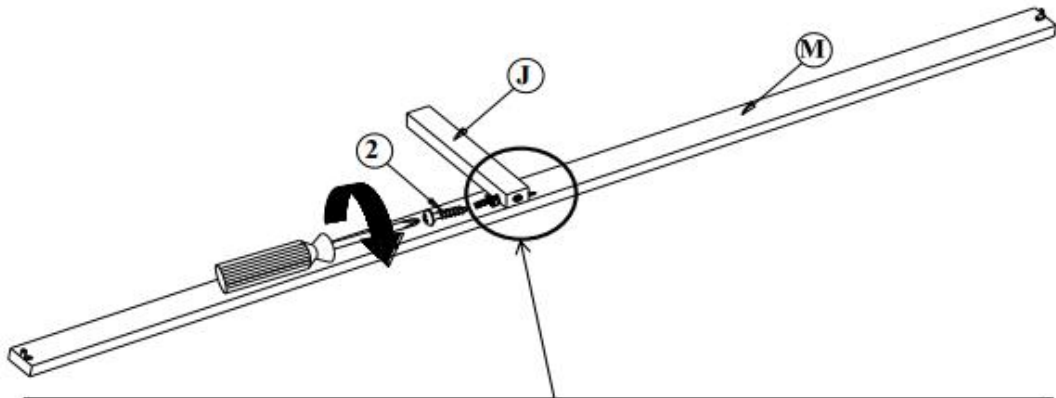


(B1 & B2) - BOX 1 & BOX 2

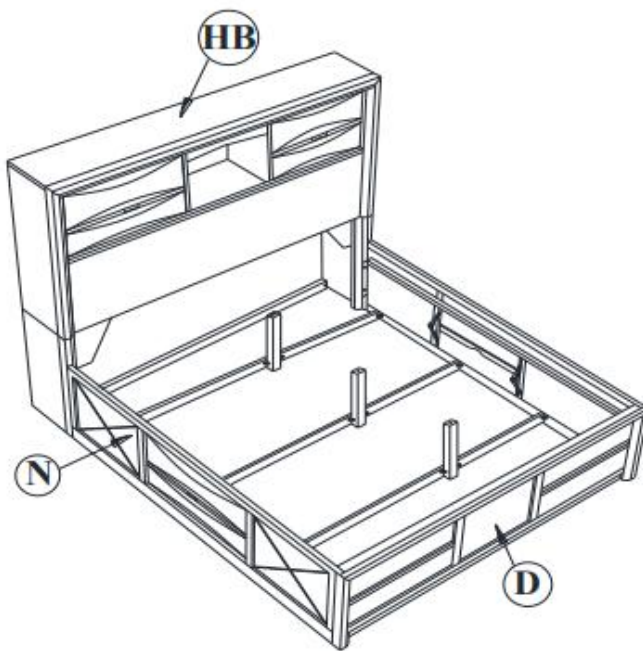
STEP 5



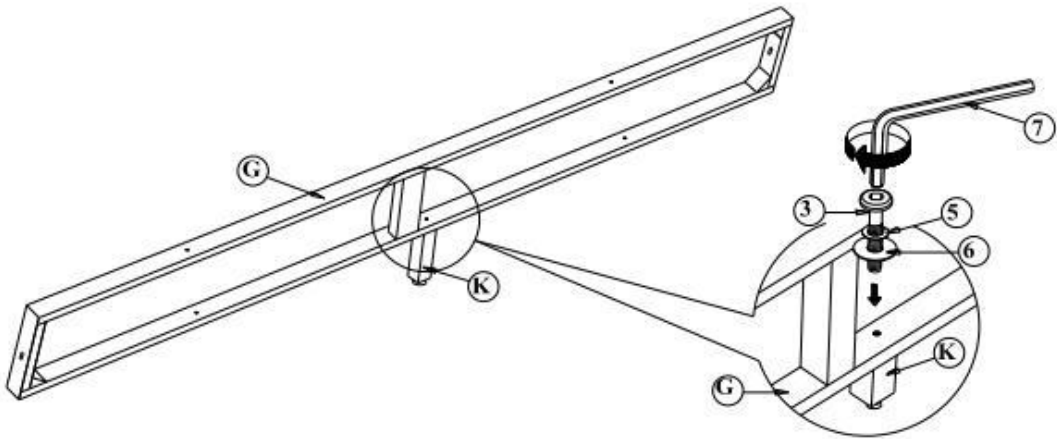
STEP 6



REMARK : MAKE SURE THE BOTTOM SURFACE OF THE BED SLAT SUPPORT (J) IS ALIGNED WITH THE EDGE OF THE BOTTOM CROSS RAIL (M).

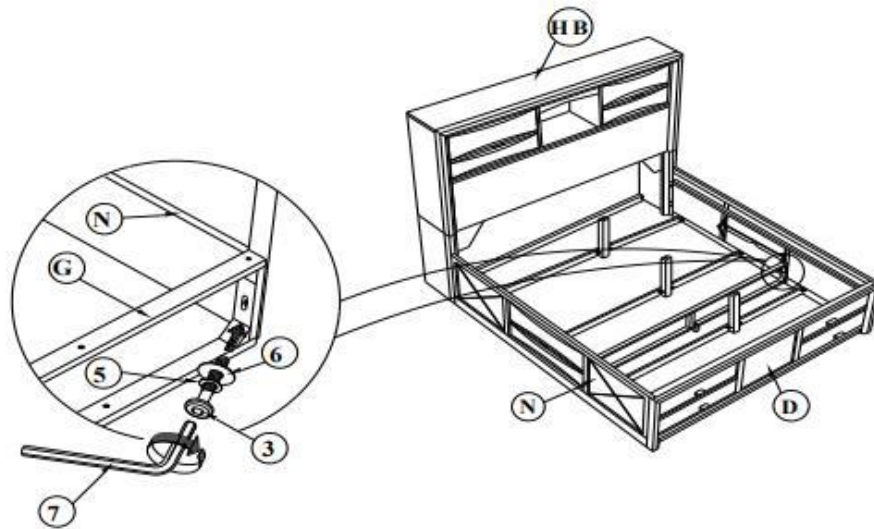


STEP 7



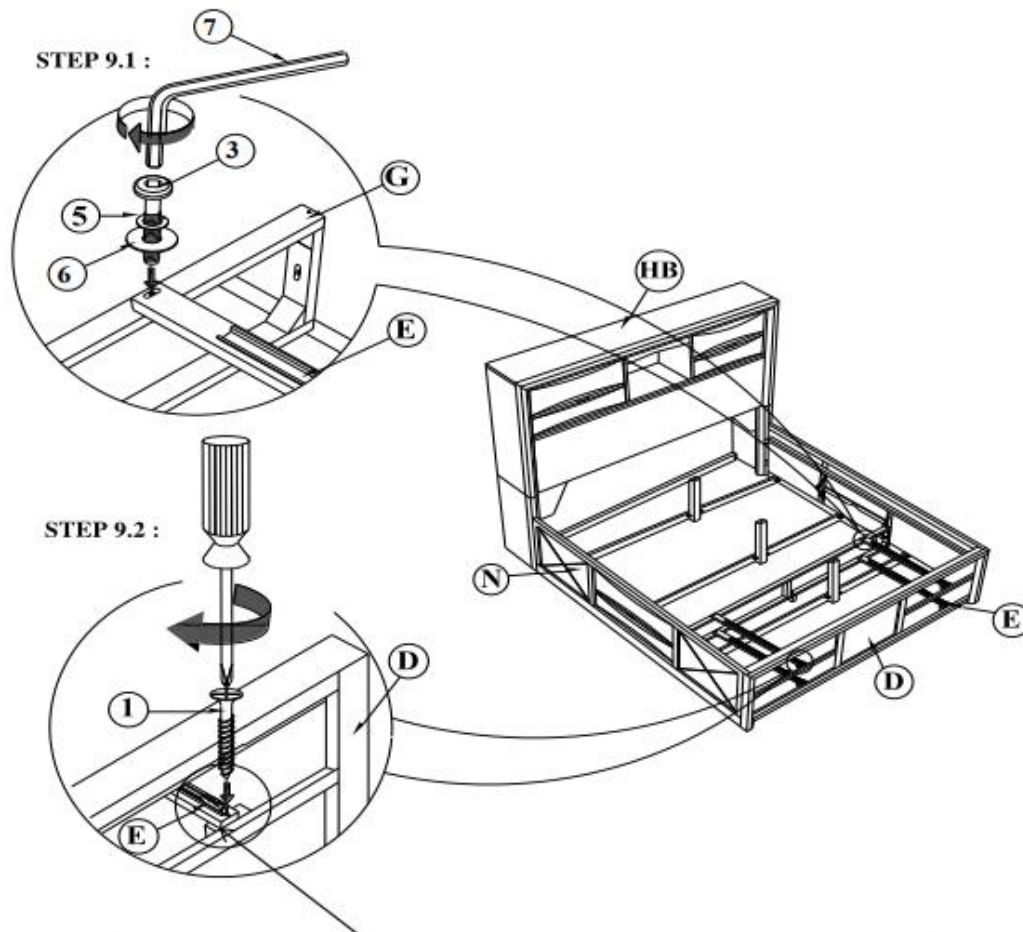
STEP 8

REMARK : DO NOT FULLY TIGHTEN THE BOLT AT THIS STEP.



STEP 9

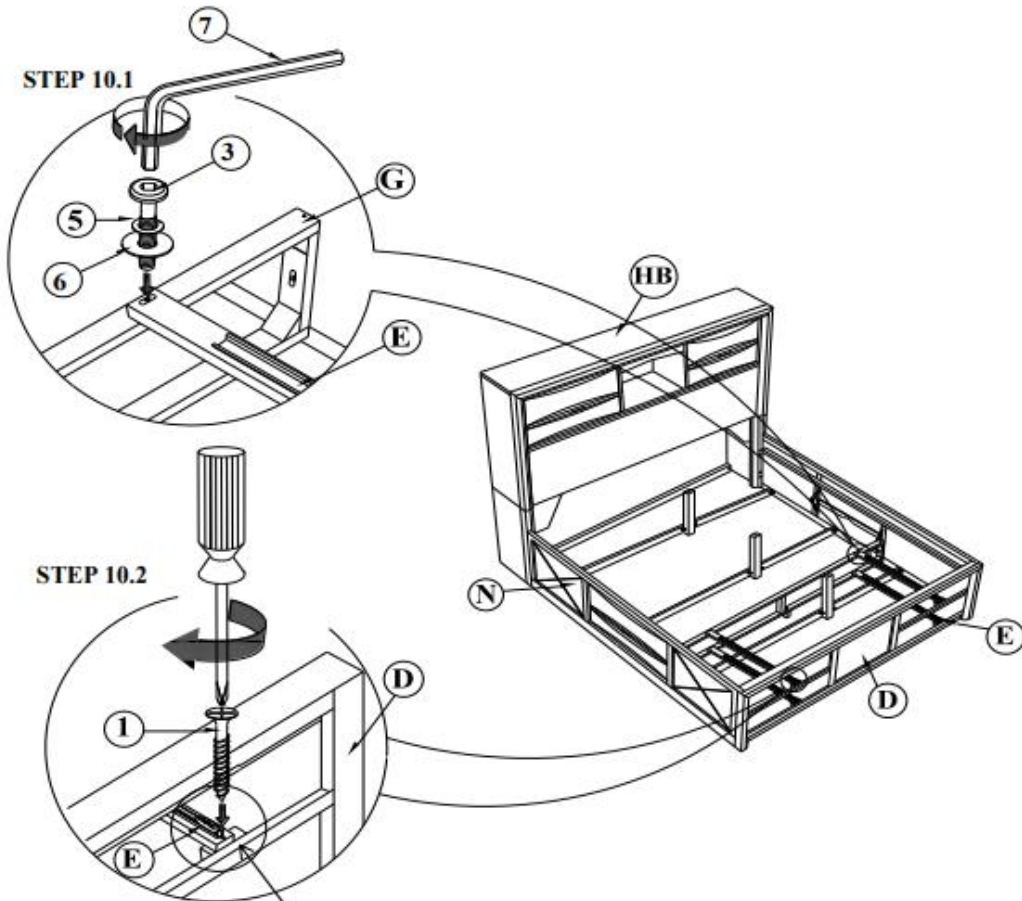
REMARK : DO NOT FULLY TIGHTEN THE BOLT AT THIS STEP



REMARKS : MAKE SURE THE DRAWER GLIDE WITH RAIL (E) IS CENTER AGAINST THE CUT OUT ON THE WOOD CLEAT AND ALSO TOUCHING IT BEFORE FASTEN USING SCREW (1).

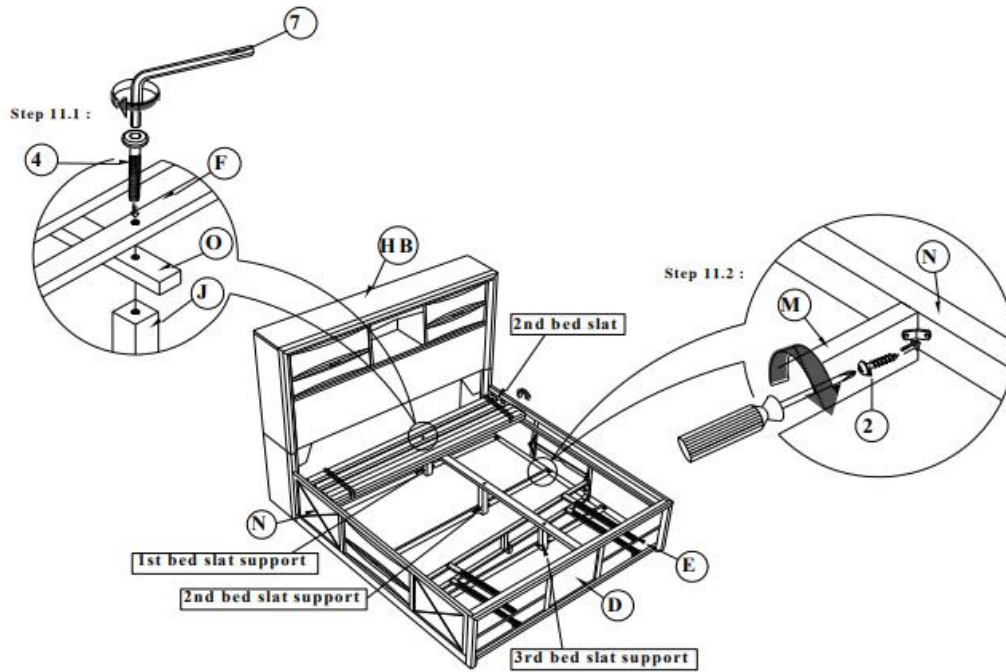
STEP 10

REMARK : DO NOT FULLY TIGHTEN THE BOLT AT THIS STEP.

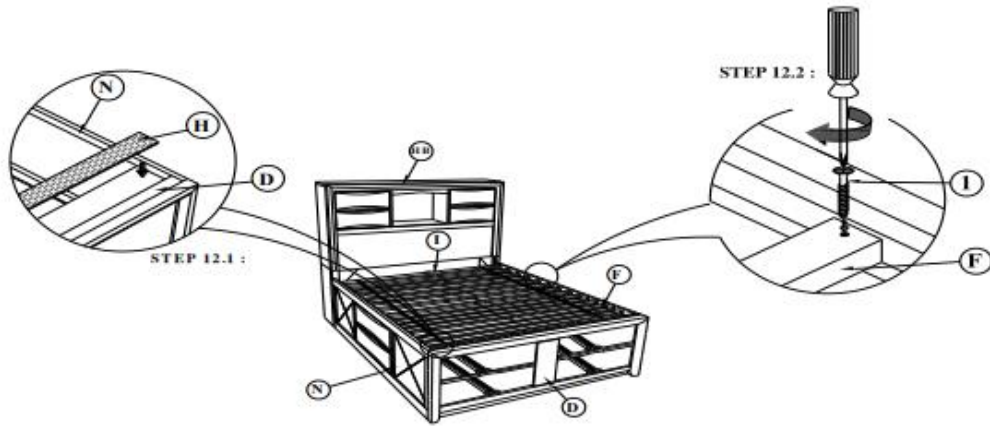


REMARKS : MAKE SURE THE DRAWER GLIDE WITH RAIL (E) IS CENTER AGAINST THE CUT OUT ON THE WOOD CLEAT AND ALSO TOUCHING IT BEFORE FASTEN USING SCREW (1).

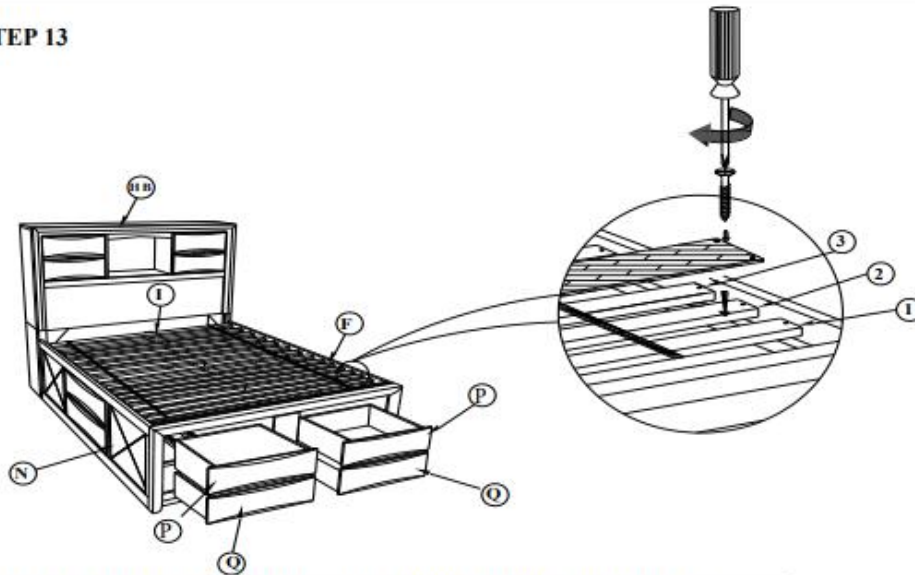
STEP 11



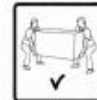
STEP 12



STEP 13



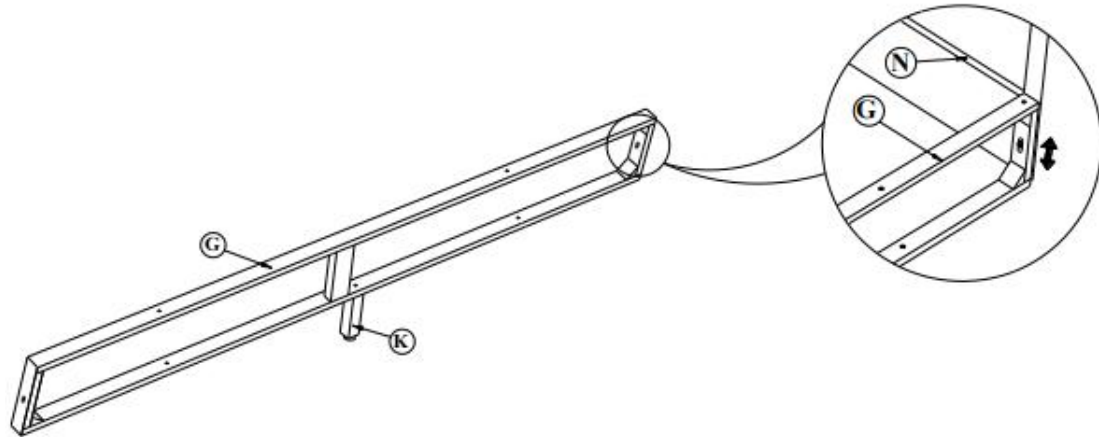
REMARK : REFER TO THE "TOP" & "BOTTOM" LABEL ON DRAWER PRIOR TO START OF ASSEMBLY.



REMARK : If the drawer is not aligned, please do the below adjustment :

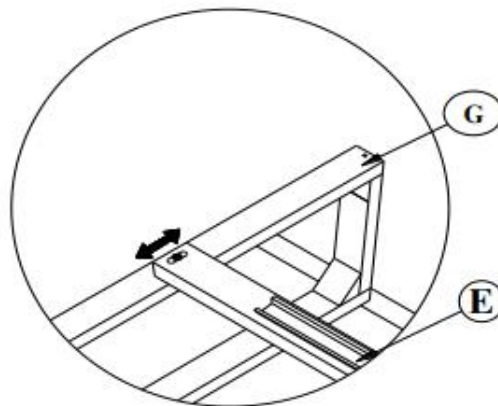
1) To align the drawer up or down

Action : Adjust the drawer frame (G) to up or down.



REMARK : 2) To align the drawer left or right.

Action : Adjust the drawer glide with rail (E) to left or right.



REMARK : After completed the drawer alignment :

1) Adjust the leveler of drawer frame support (K) to touch the floor.

2) Fully tighten all the bolt from step 8 , 9 & 10.