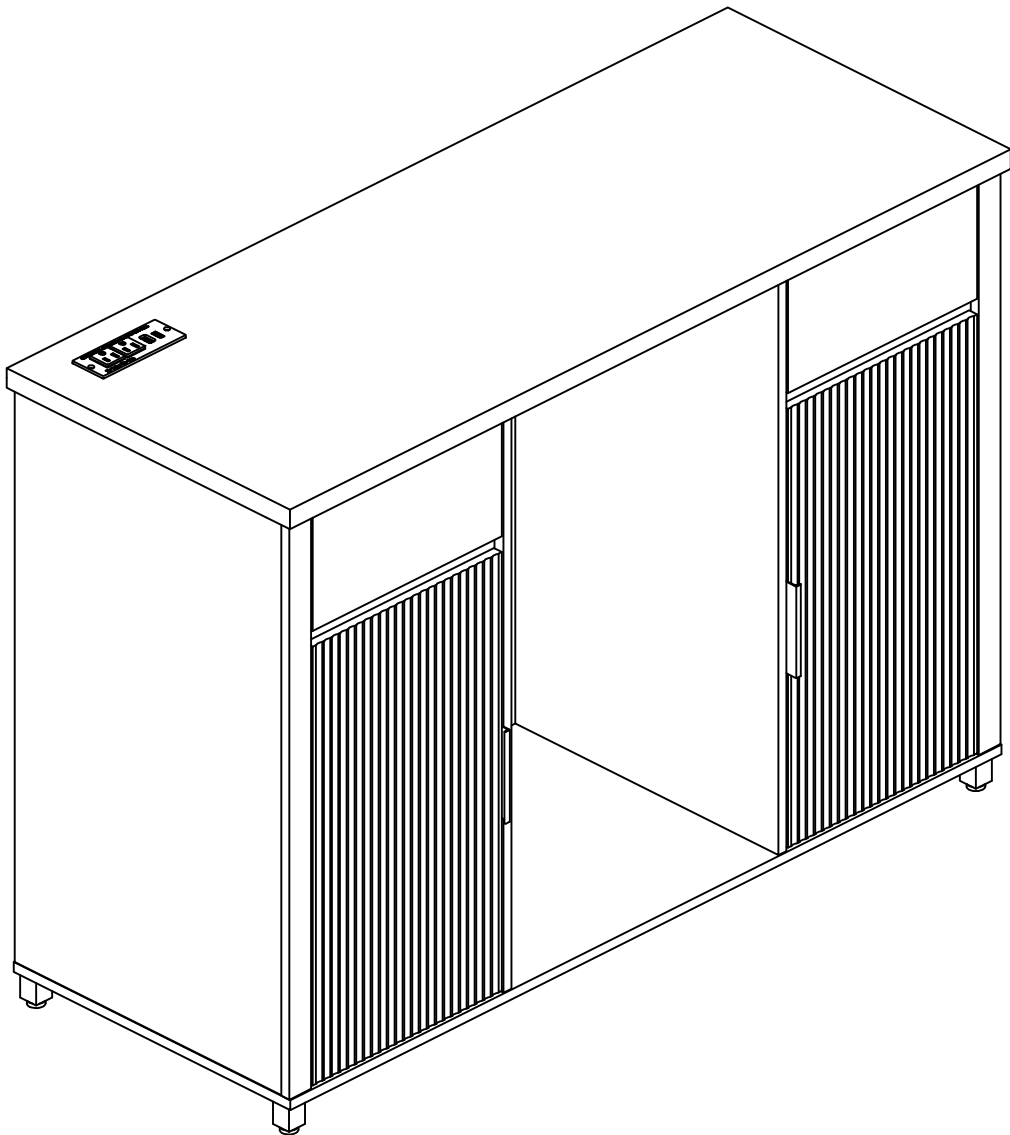
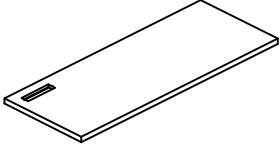
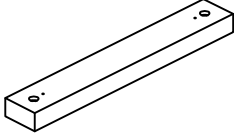
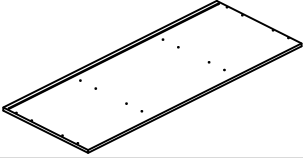
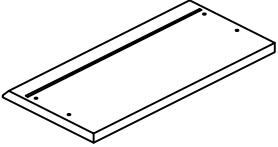
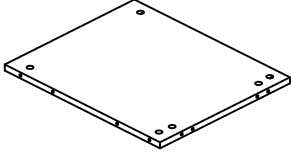
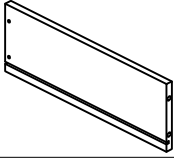
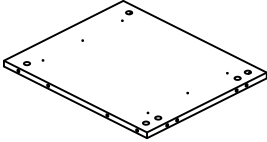
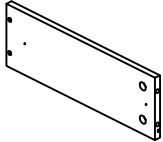
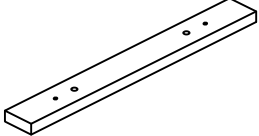
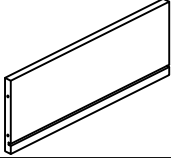
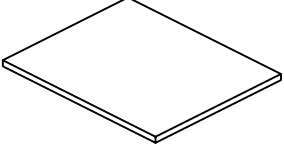
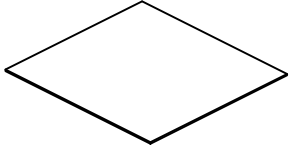
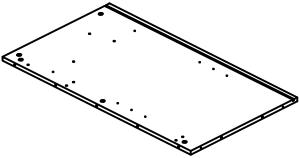
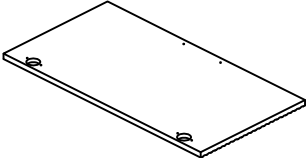
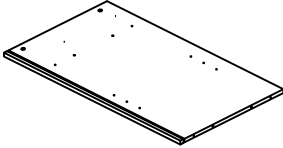
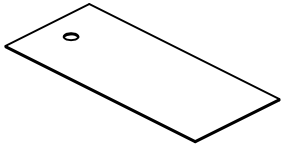
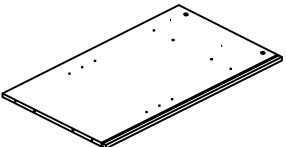
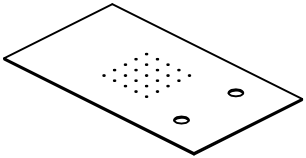
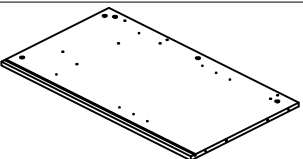
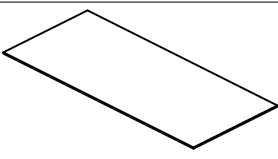
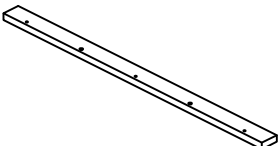
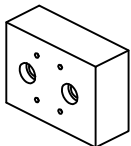



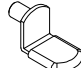



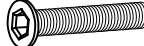





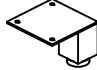




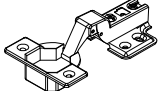
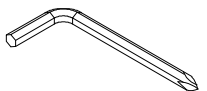
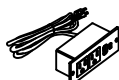
# Assembly Instructions

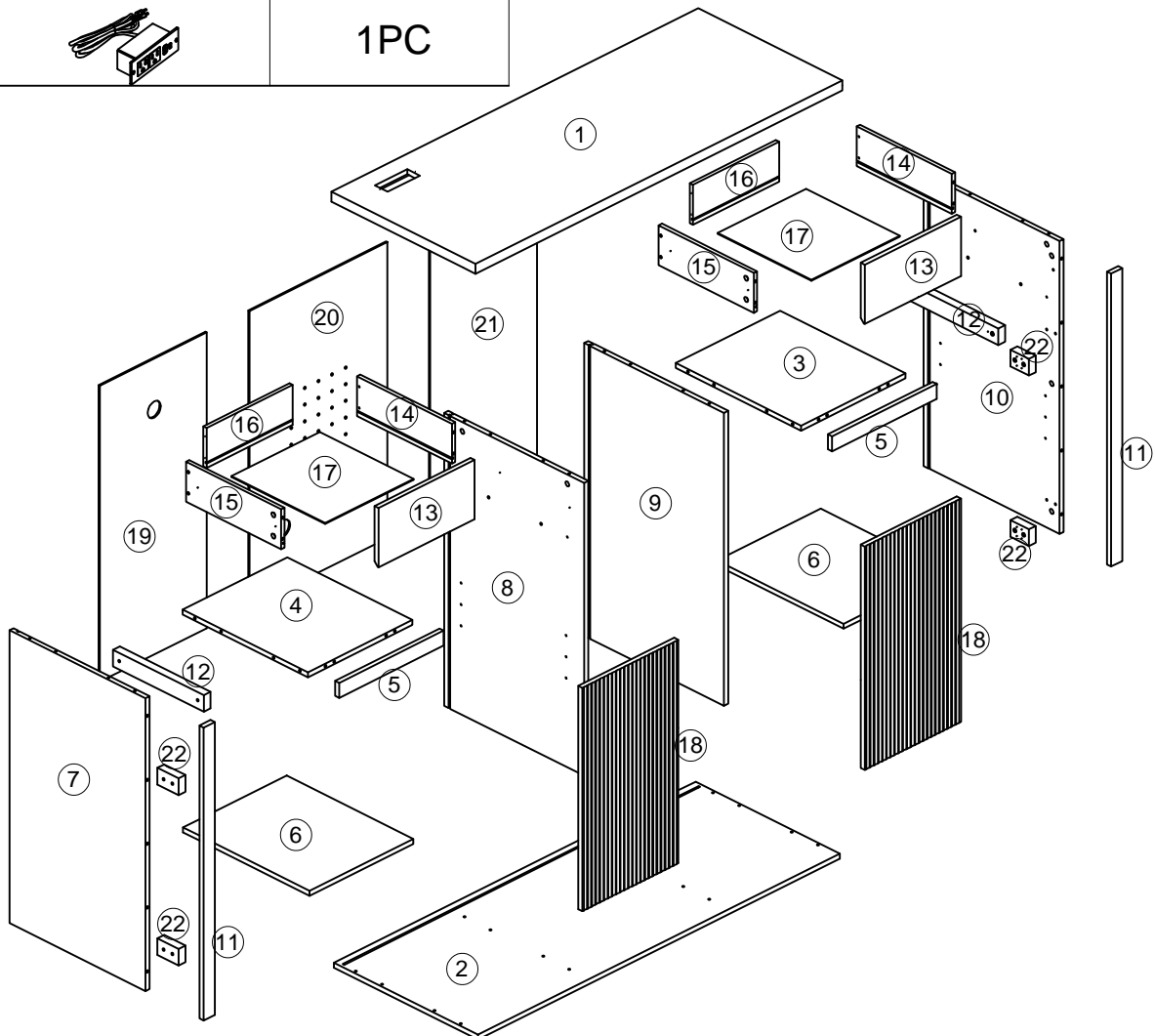


## Parts List

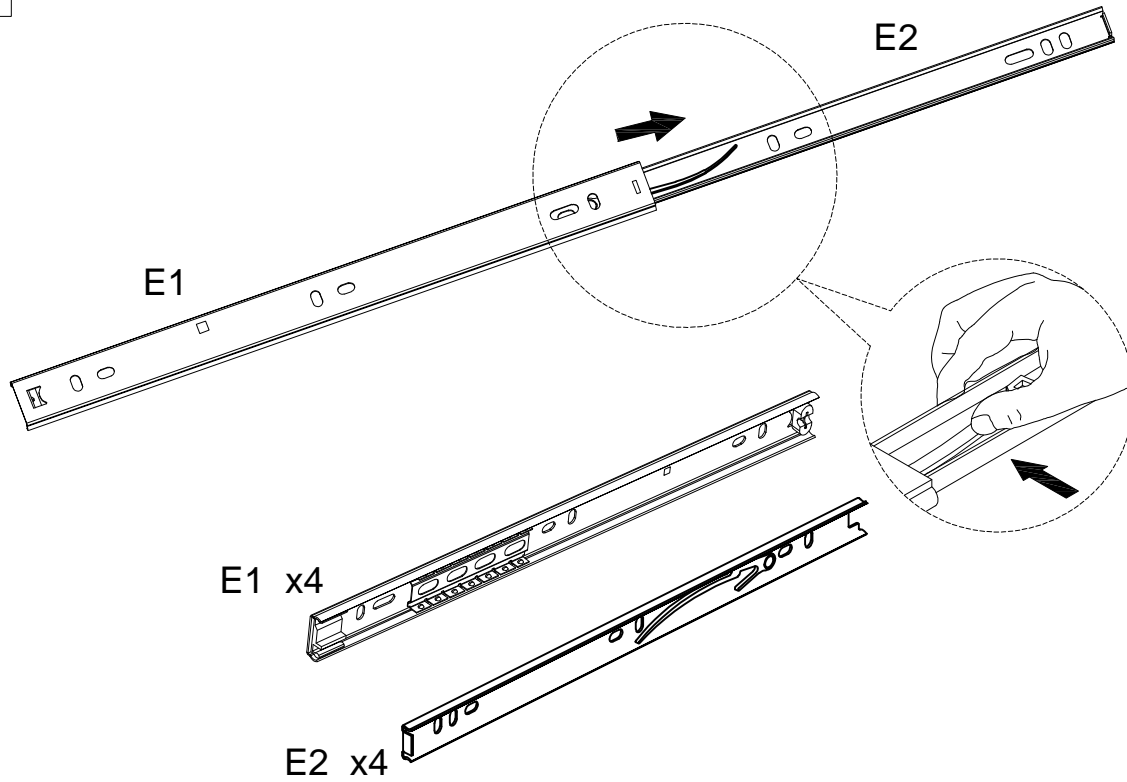
ITEM	PART	QTY	ITEM	PART	QTY
①		1PC	⑫		2PCS
②		1PC	⑬		2PCS
③		1PC	⑭		2PCS
④		1PC	⑮		2PCS
⑤		2PCS	⑯		2PCS
⑥		2PCS	⑰		2PCS
⑦		1PC	⑱		2PCS
⑧		1PC	⑲		1PC
⑨		1PC	⑳		1PC
⑩		1PC	㉑		1PC
⑪		2PCS	㉒		4PCS

# Hardware List

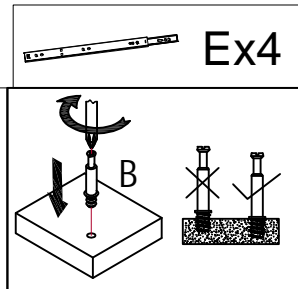
ITEM	PART	QTY	ITEM	PART	QTY
A	 Ø7.8x30mm	32+3PCS	K		8+1PCS
B	 Ø6x35mm	34+2PCS	L	 Ø8x4x35mm	8+1PCS
C	 Ø15*10	34+2PCS	M	 M6x30mm	12+1PCS
D	 Ø7x38mm	8+1PCS	N		18+2PCS
E	 340mm	4PCS	N	 Ø6x3x16mm	18+2PCS
F	 Ø8x4x14mm	24+2PCS	O		6PCS
G		2PCS	P		1PC
H	 Ø7x3.5x12mm	50+4PCS	Q		2SET
I		4PCS			1PC
J		1PC			



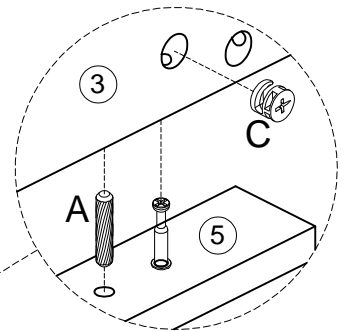
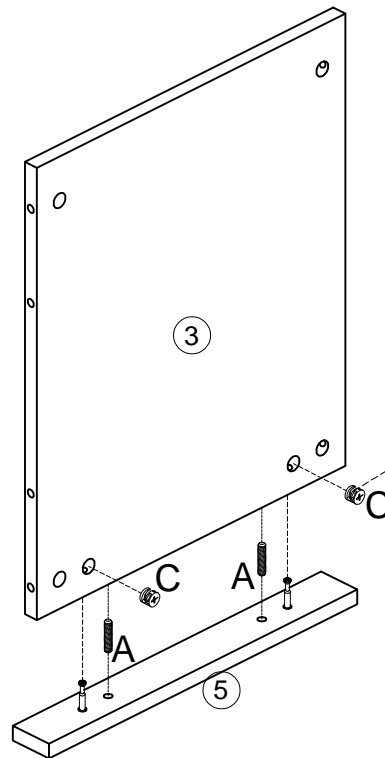
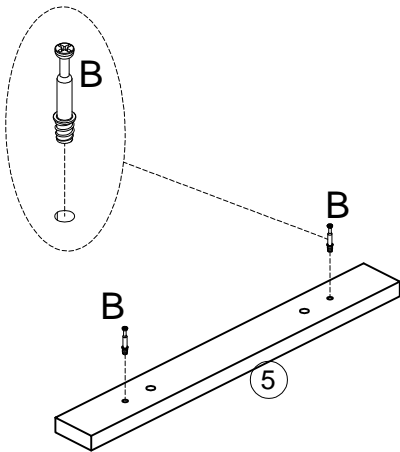
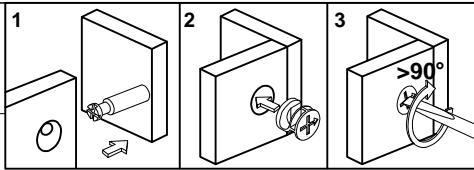
# 1



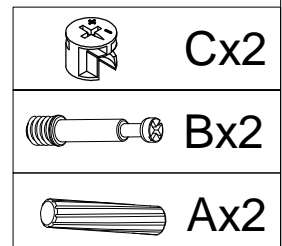
Separate Slide Rail set E x4 as E1 and E2 as shown for further use.



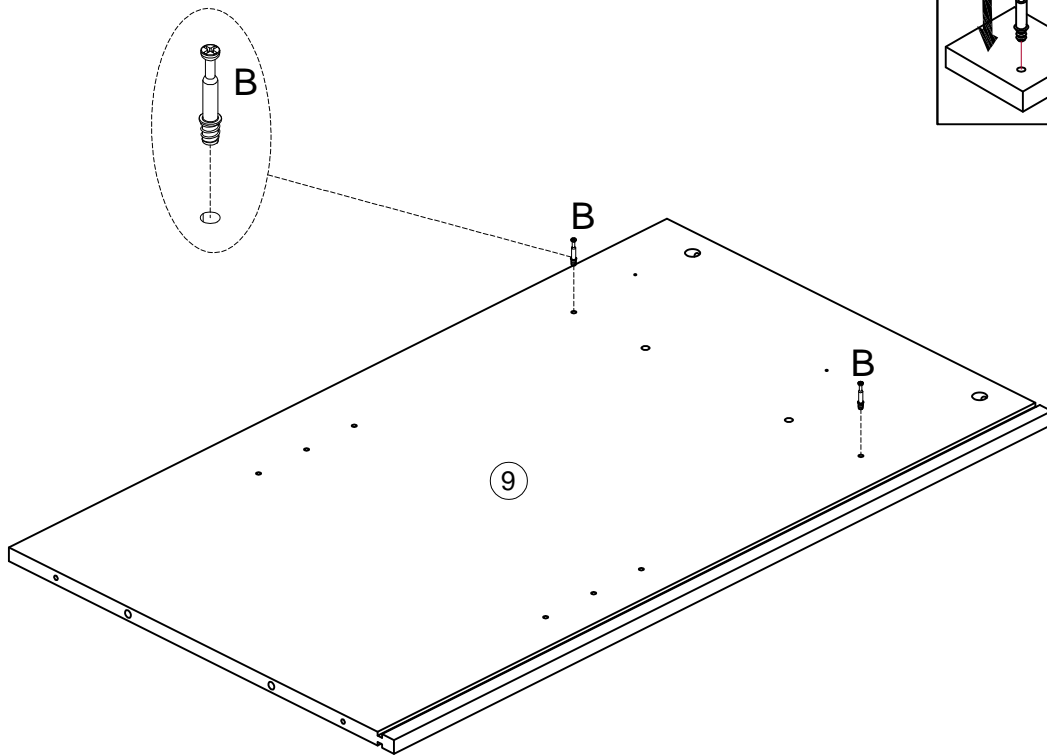
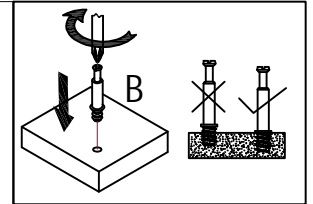
# 2



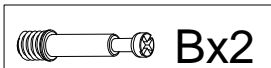
Install Cam Bolt B x2 to Part #5 as shown.  
Attach Part #5 to Part #3 with Dowel A x2 as shown.  
Install and Turn Nuts C x2 to secure position as shown.



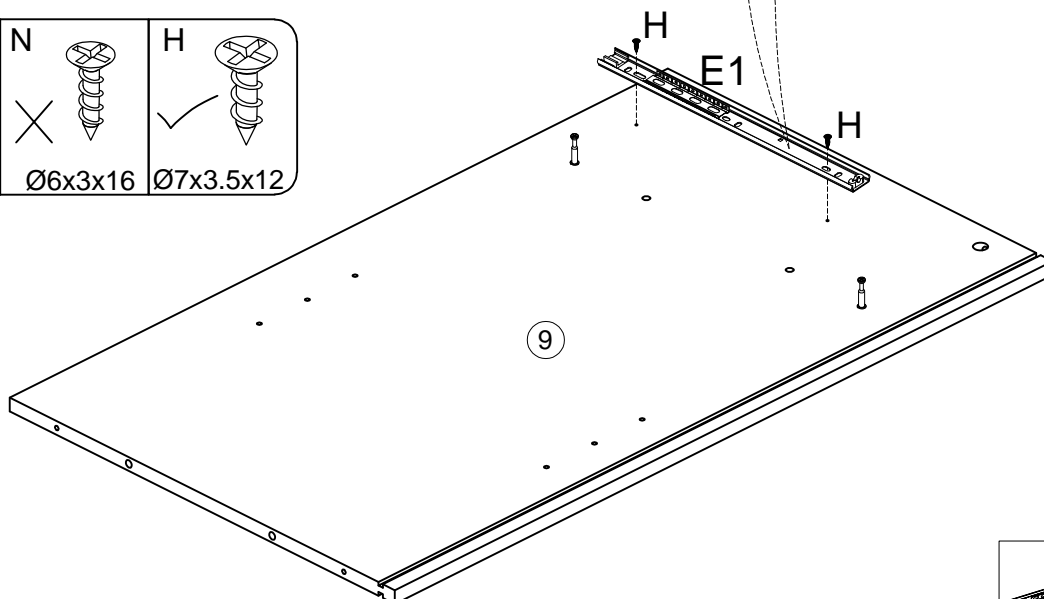
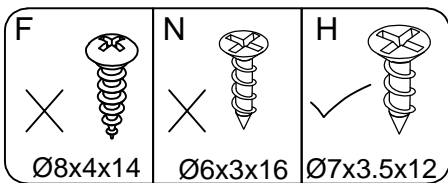
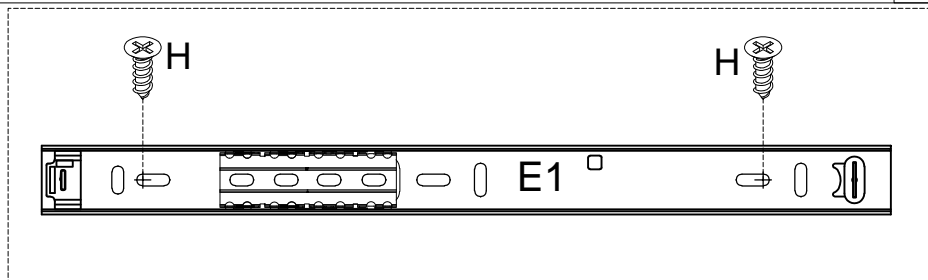
3



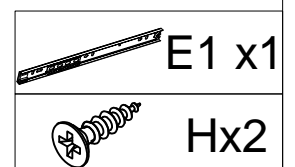
Install Cam Bolt B x2 to Part #9 as shown.



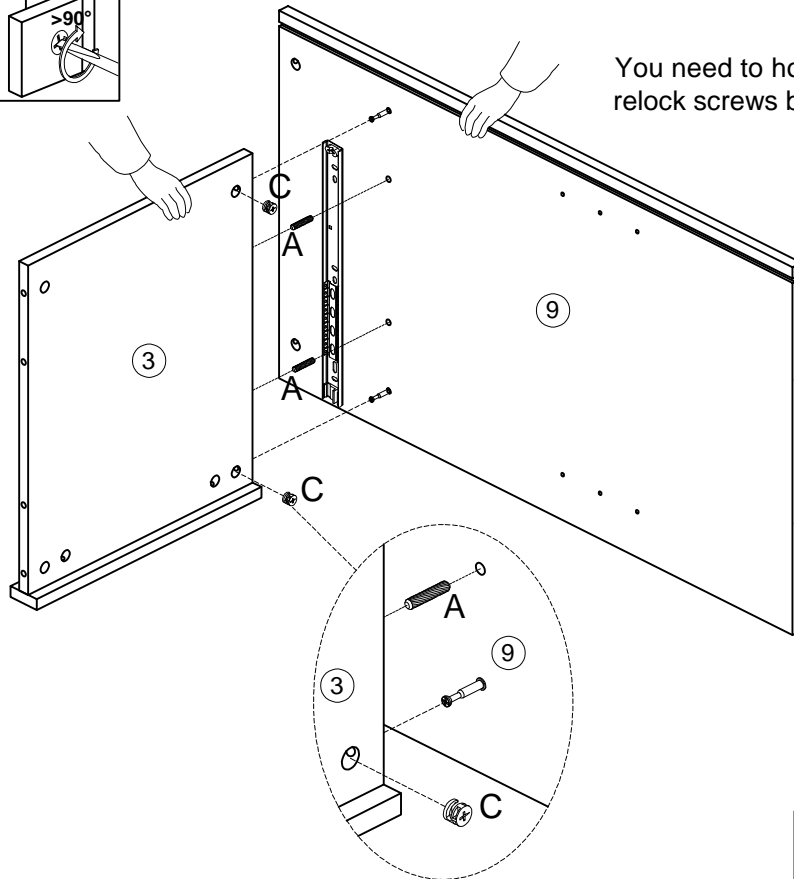
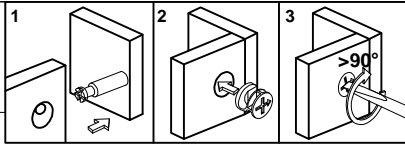
4



Install Rail E1 x1 to Part #9 with Screws H x2 as shown.  
Pay attention to the orientation of the rail.



# 5

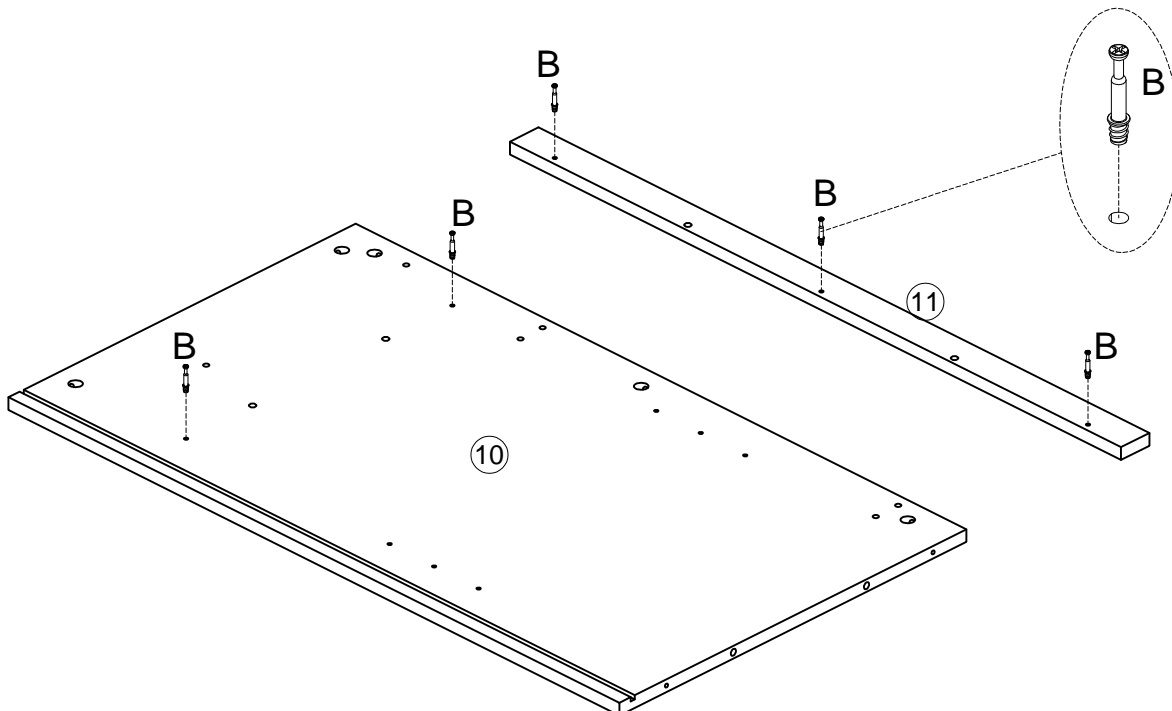
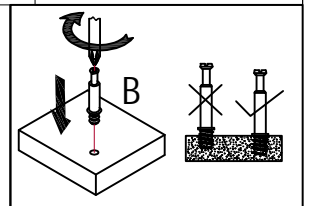


You need to hold plate ③ and ⑨  
relax screws by hand

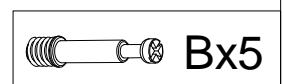
Attach Part #3 to Part #9 with Dowel A x2 as shown.  
Install and Turn Nuts C x2 to secure position as shown.



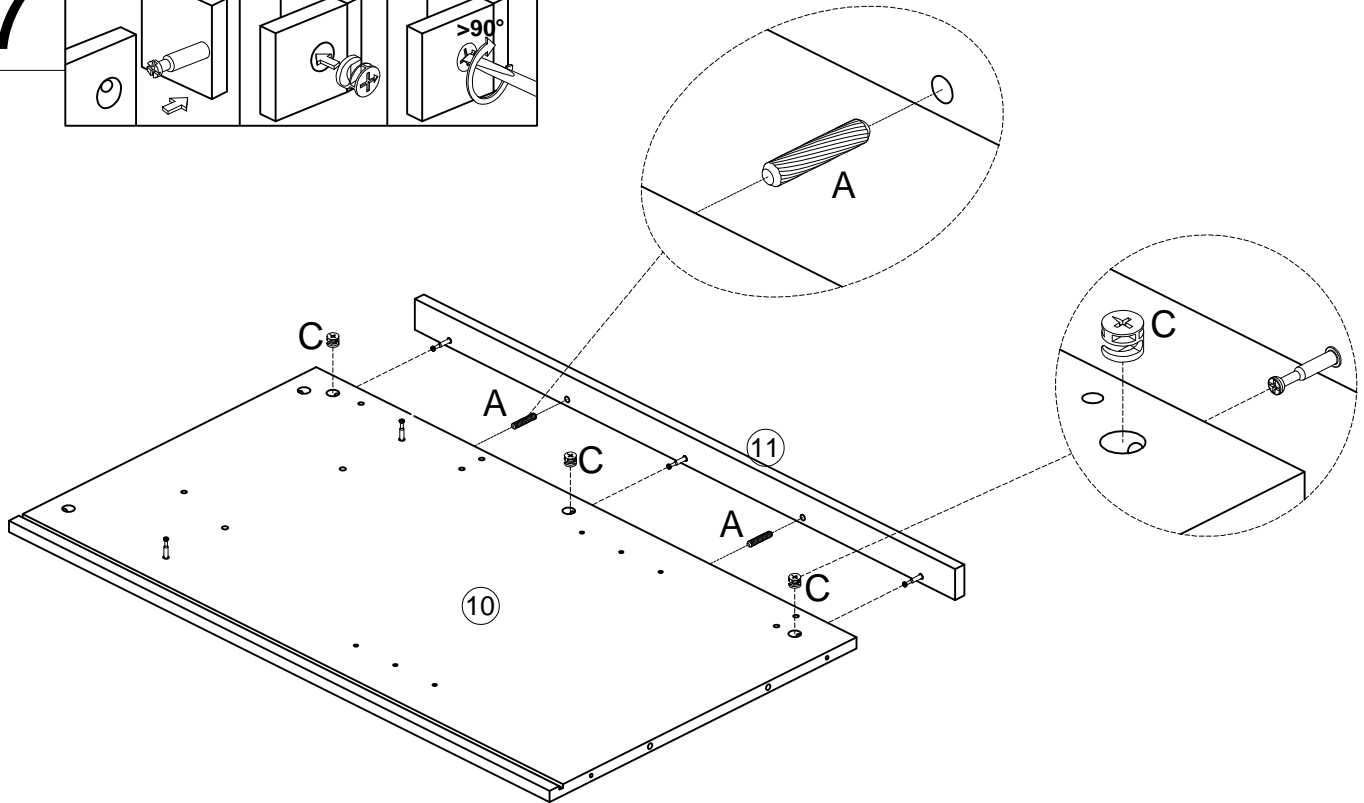
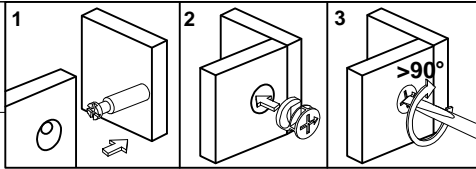
# 6



Install Cam Bolt B x5 to Part #10&11 as shown.



# 7



Attach Part #11 to Part #10 with Dowel A x2 as shown.  
Install and Turn Nuts C x3 to secure position as shown.

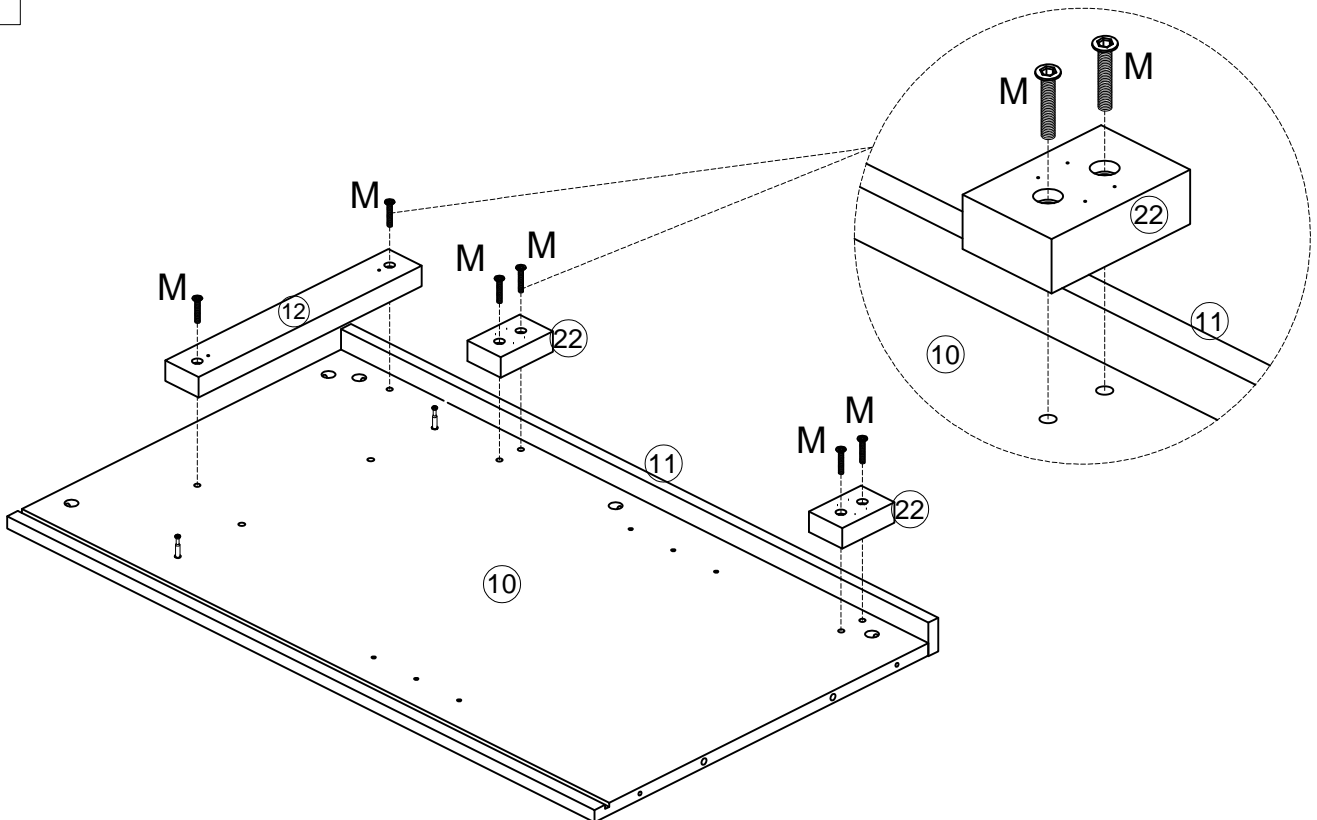


Cx3

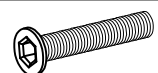


Ax2

# 8

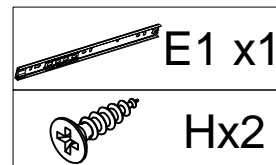
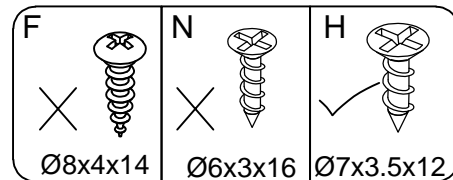
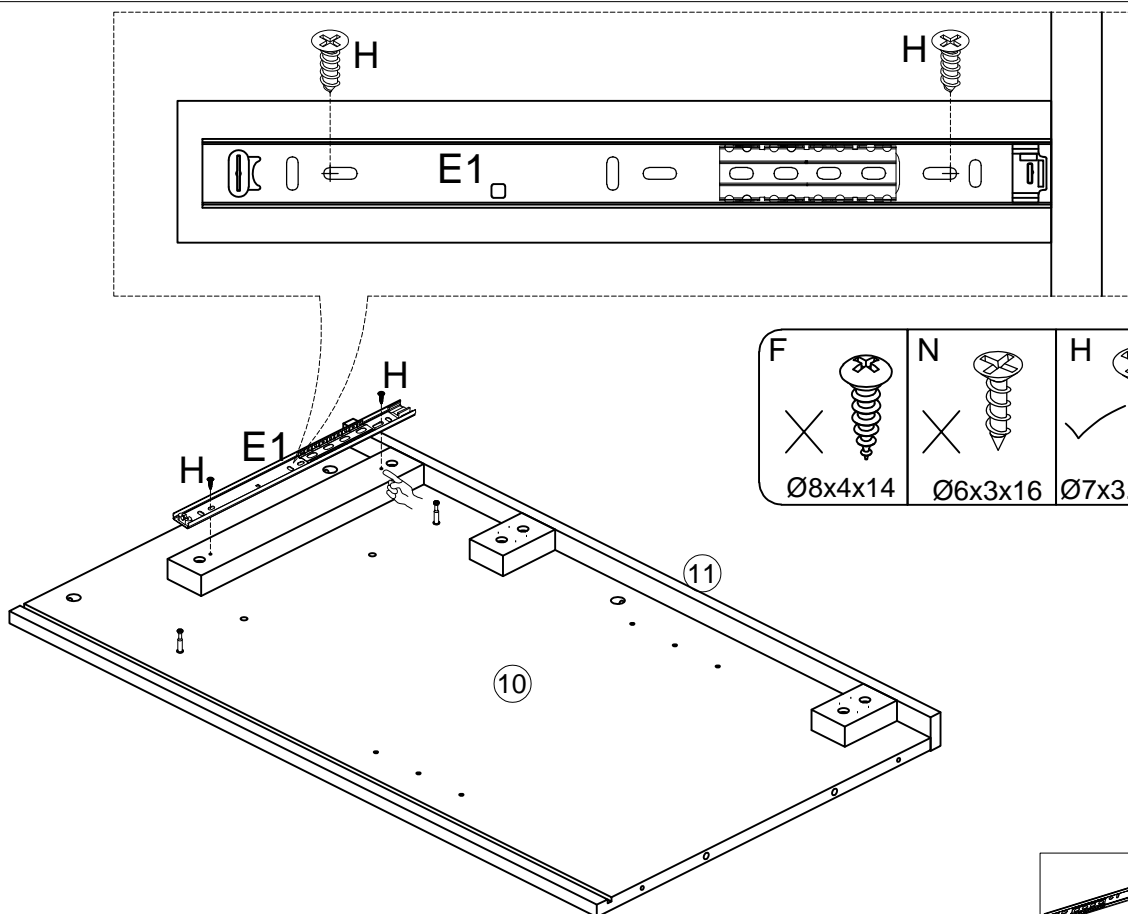


Attach Part #12 & Part #22 x2 to Part #10 with Screws M  
x6 as shown.



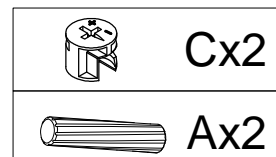
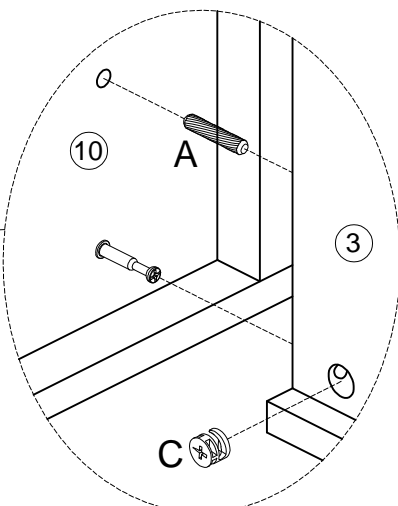
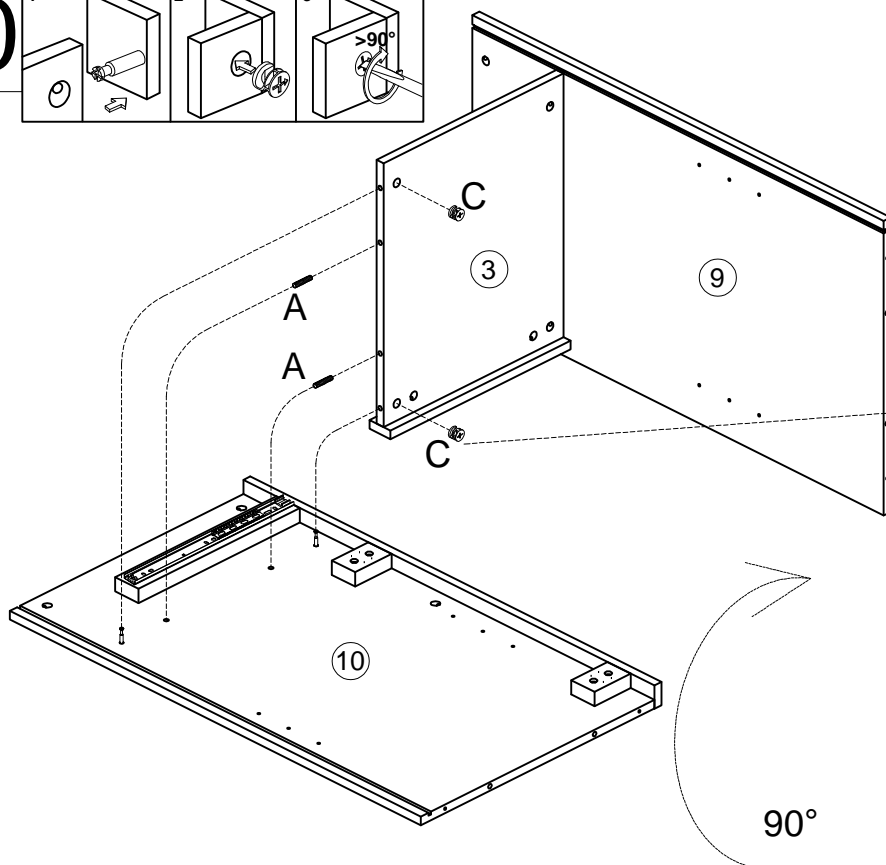
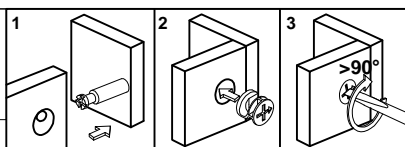
Mx6

9



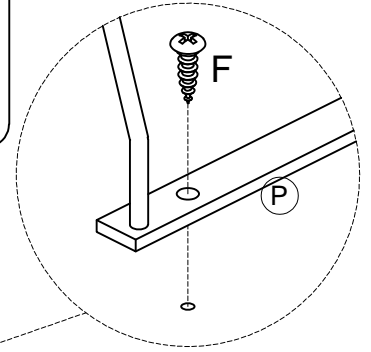
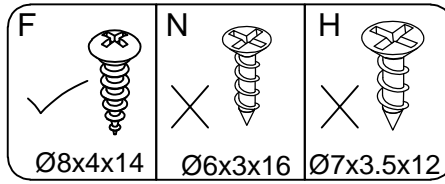
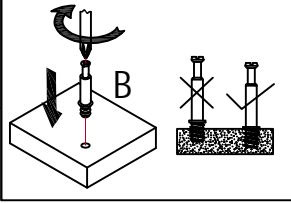
Install Rail E1 x1 to Part #12 with Screws H x2 as shown.  
Pay attention to the orientation of the rail.

10

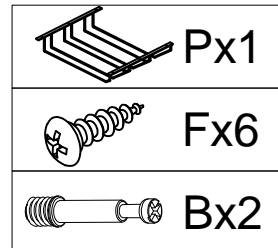
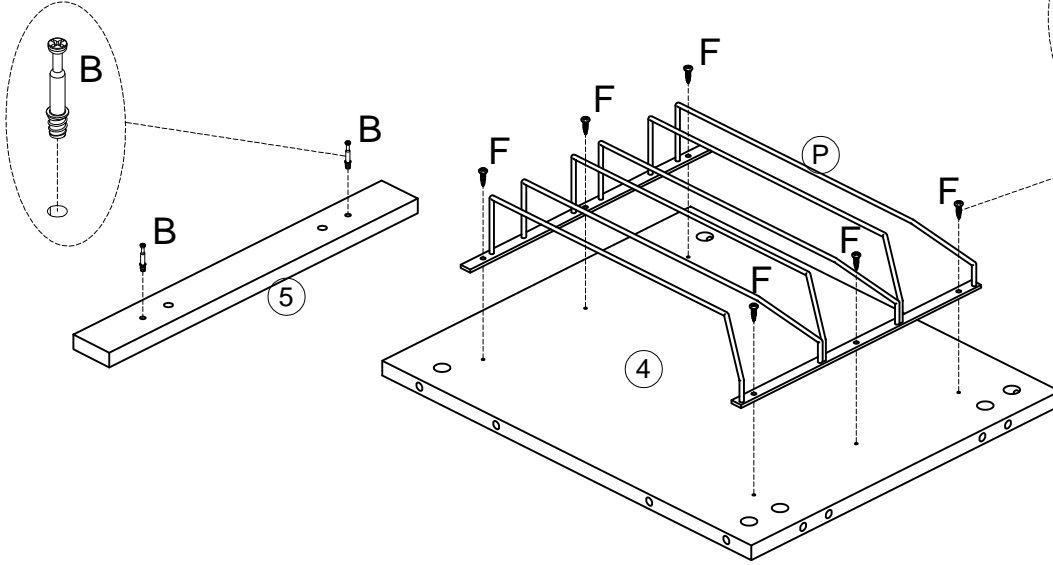


Attach Part #10 to Part #3 with Dowel A x2 as shown.  
Install and Turn Nuts C x2 to secure position as shown.

# 11

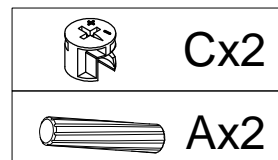
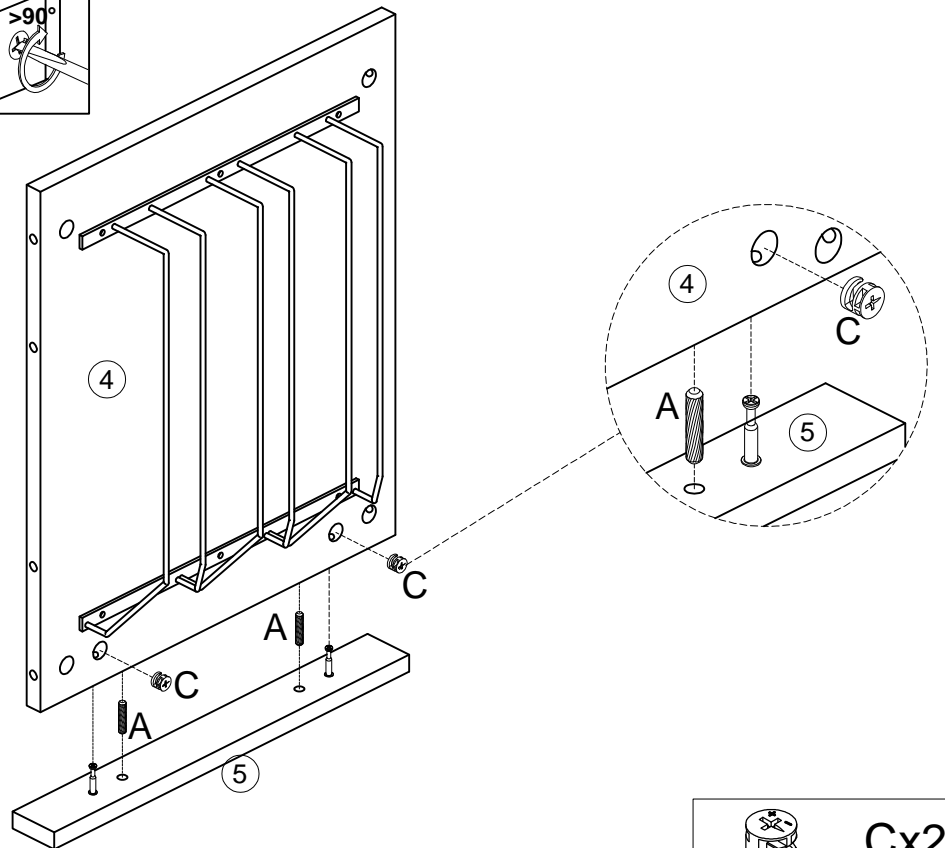
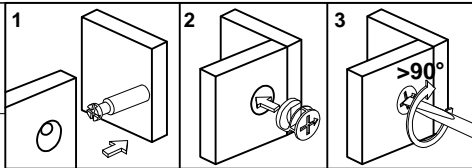


When locking the screws of this step, lock 80% first, and wait until all the screws are locked before locking 100%



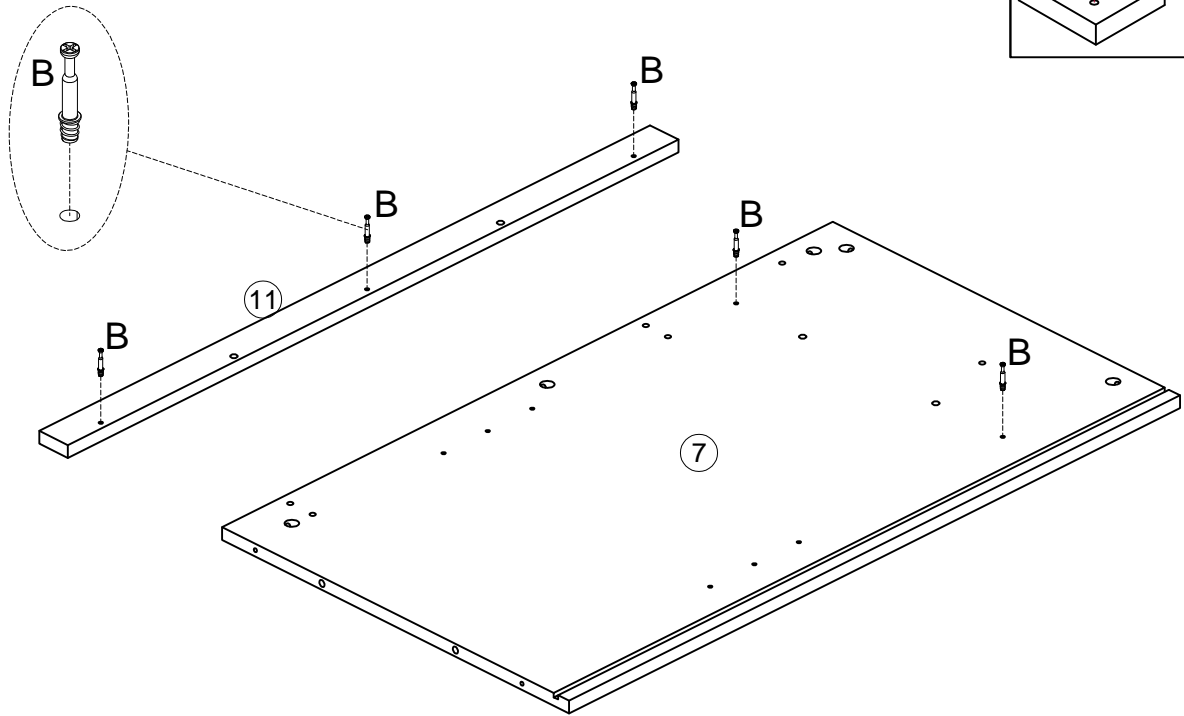
Install Cam Bolt B x2 to Part #5 as shown.  
Install P x1 to Part #4 with Screws F x6 as shown.

# 12

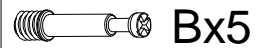


Attach Part #5 to Part #4 with Dowel A x2 as shown.  
Install and Turn Nuts C x2 to secure position as shown.

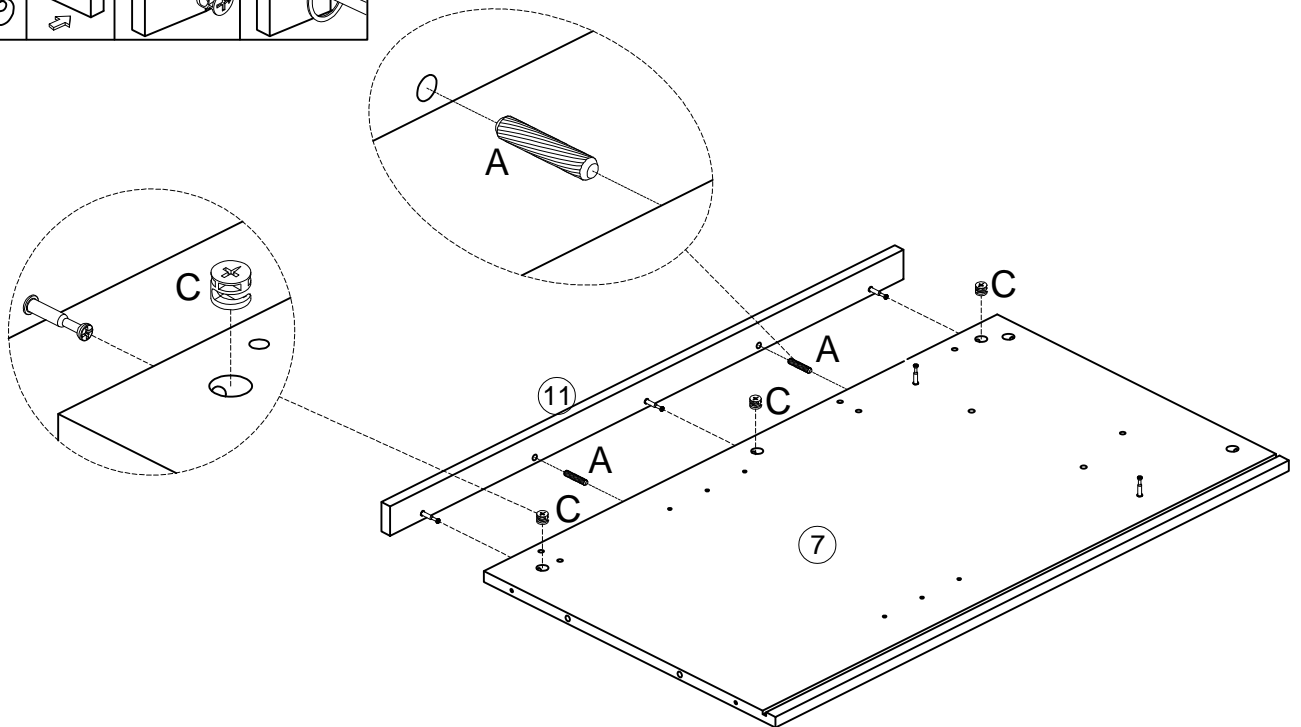
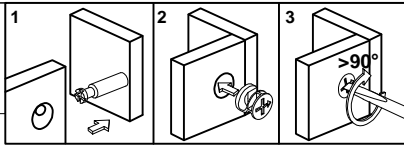
# 13



Install Cam Bolt B x5 to Part #7&11 as shown.



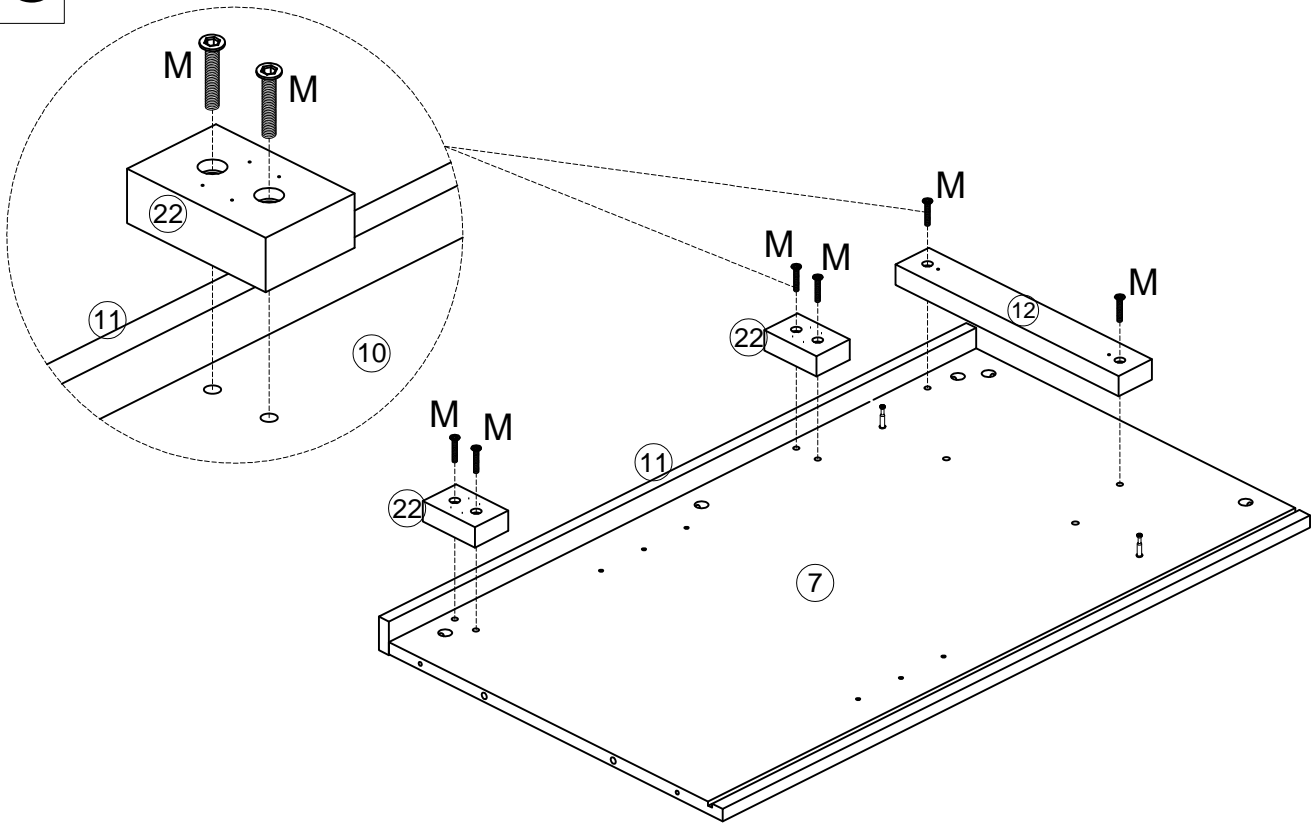
# 14



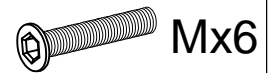
Attach Part #11 to Part #7 with Dowel A x2 as shown.  
Install and Turn Nuts C x3 to secure position as shown.



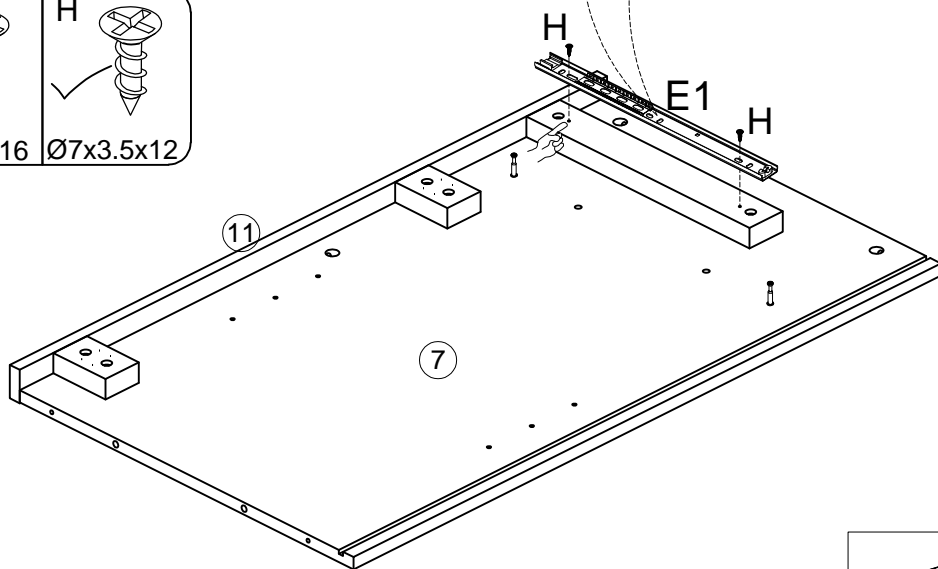
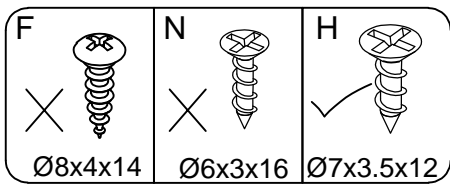
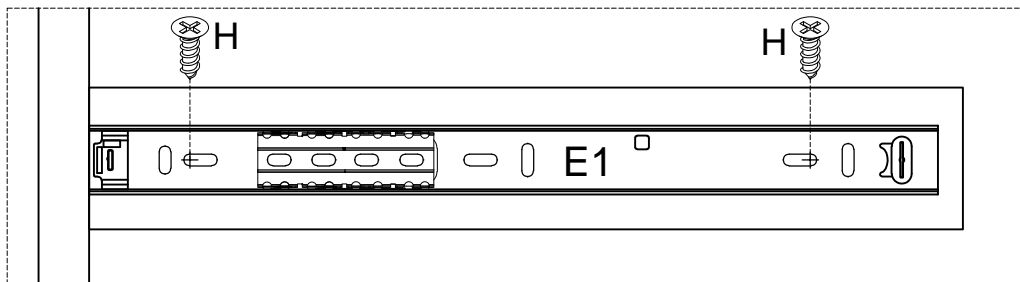
# 15



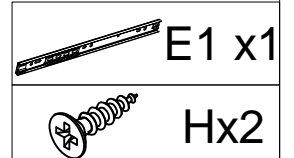
Attach Part #12 & Part #22 x2 to Part #7 with Screws M x6 as shown.



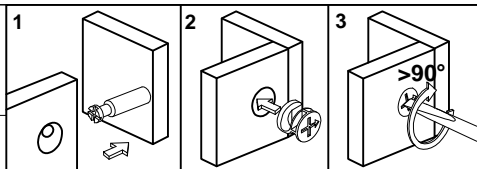
# 16



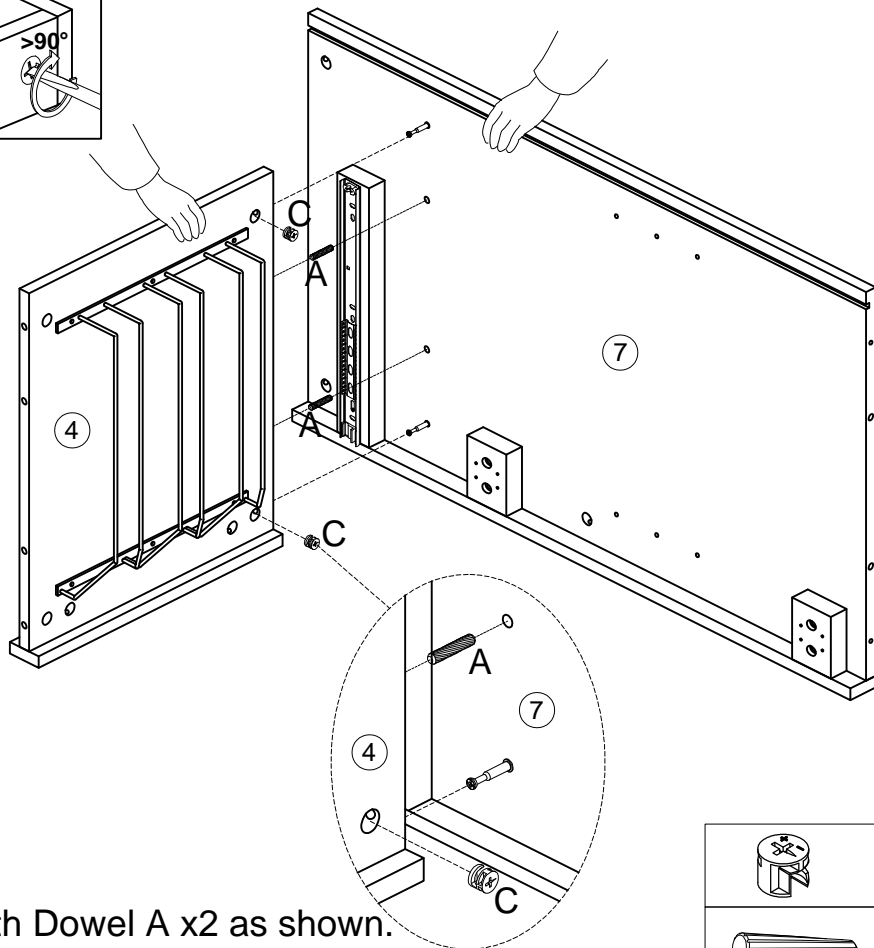
Install Rail E1 x1 to Part #12 with Screws H x2 as shown.  
Pay attention to the orientation of the rail.



# 17



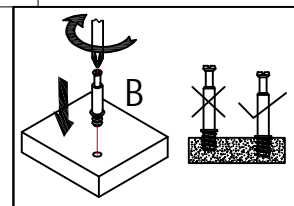
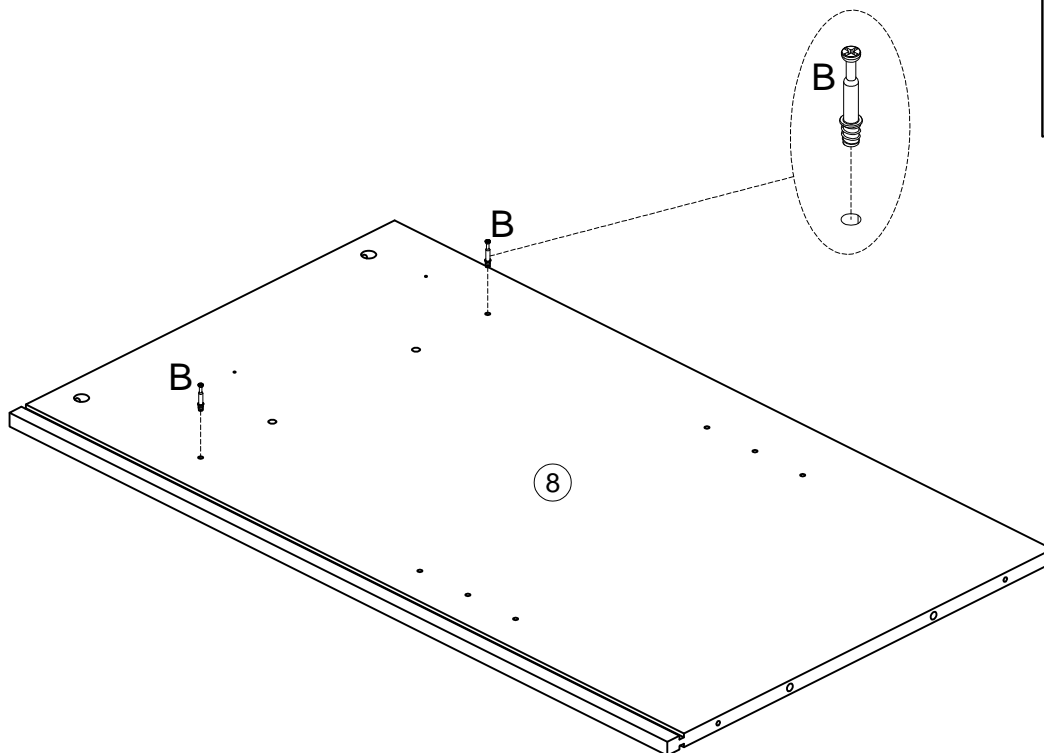
You need to hold plate ④ and ⑦  
relax screws by hand



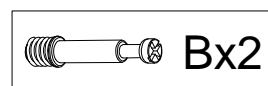
Attach Part #4 to Part #7 with Dowel A x2 as shown.  
Install and Turn Nuts C x2 to secure position as shown.



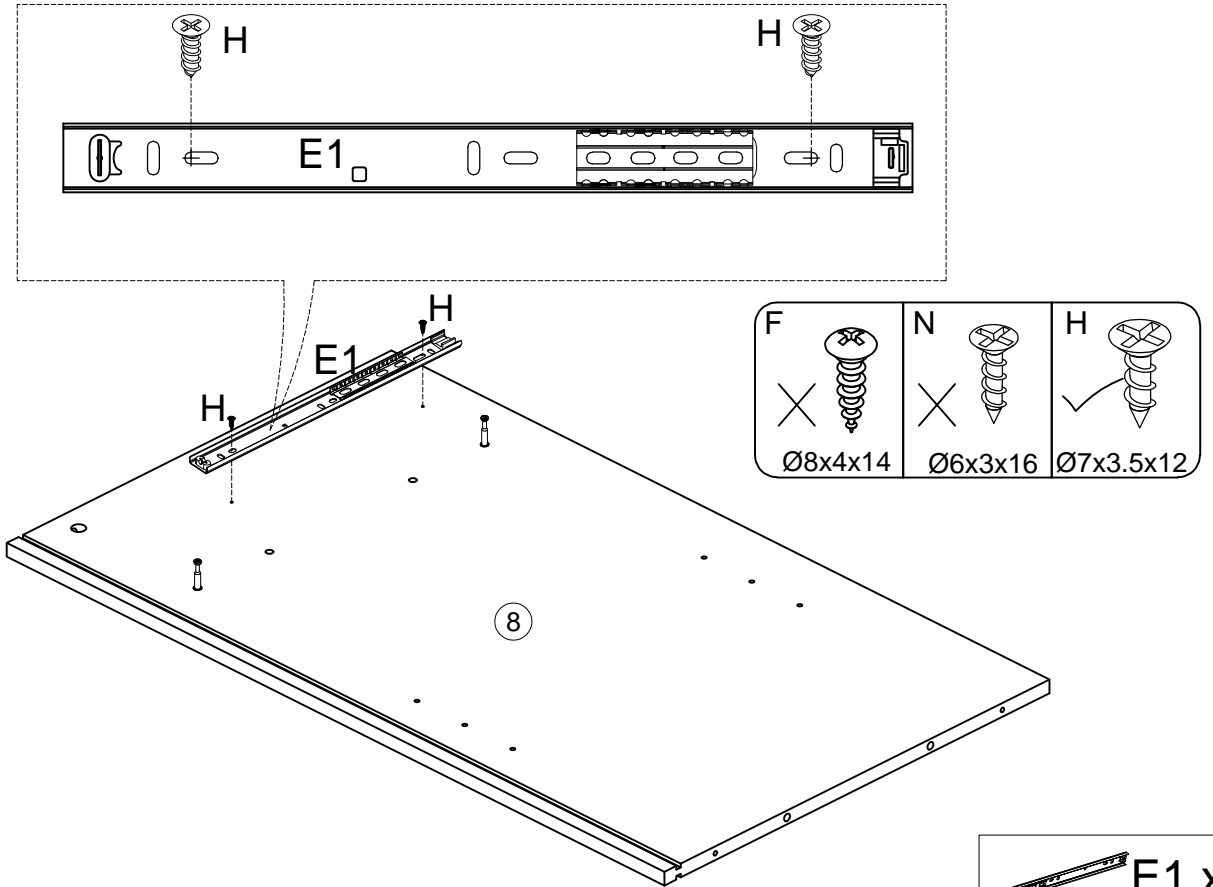
# 18



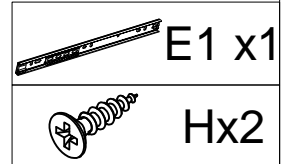
Install Cam Bolt B x2 to Part #8 as shown.



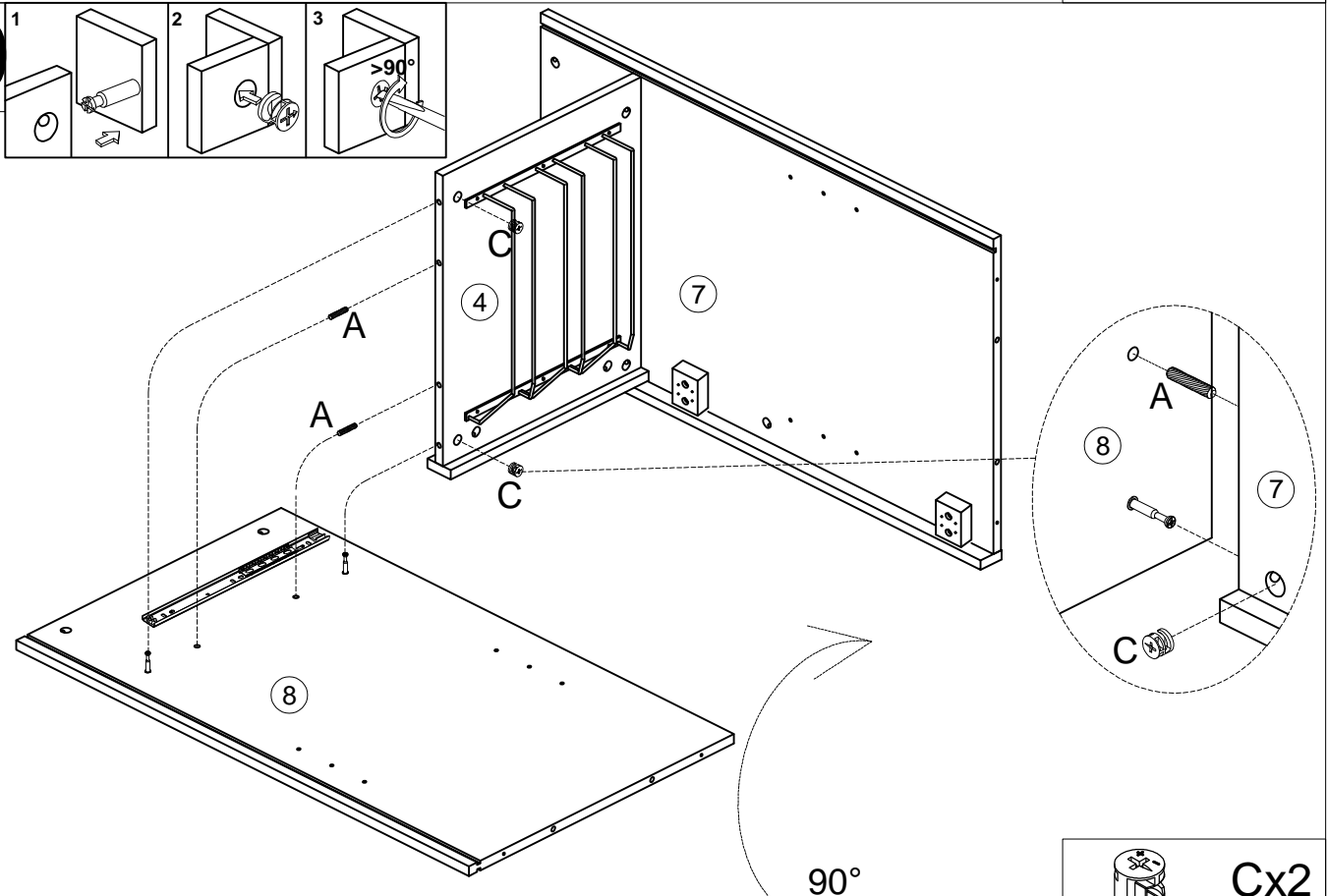
# 19



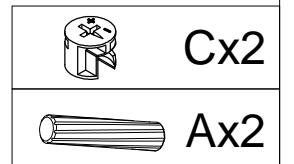
Install Rail E1 x1 to Part #8 with Screws H x2 as shown.  
Pay attention to the orientation of the rail.



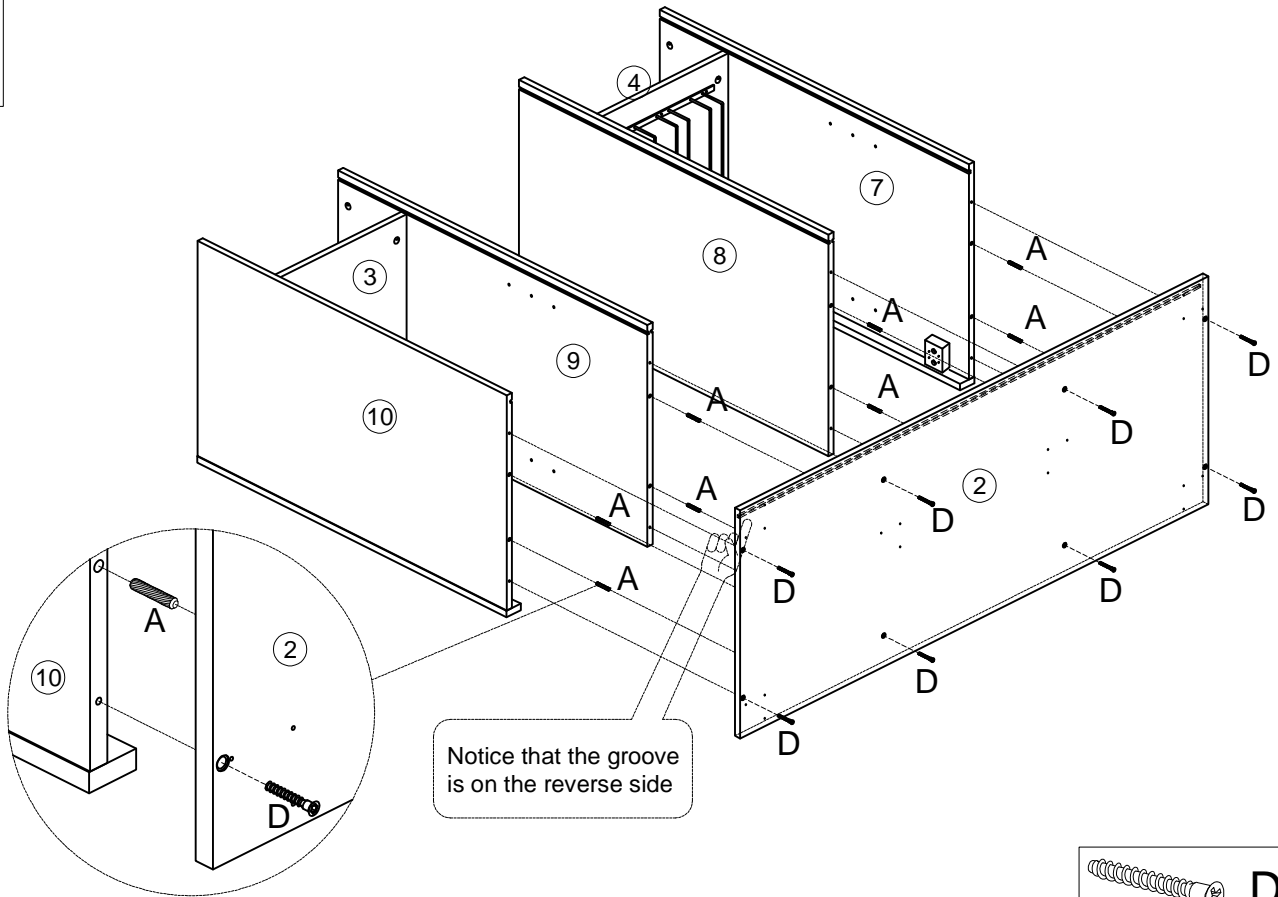
# 20




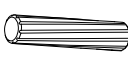
Attach Part #8 to Part #4 with Dowel A x2 as shown.  
Install and Turn Nuts C x2 to secure position as shown.



# 21

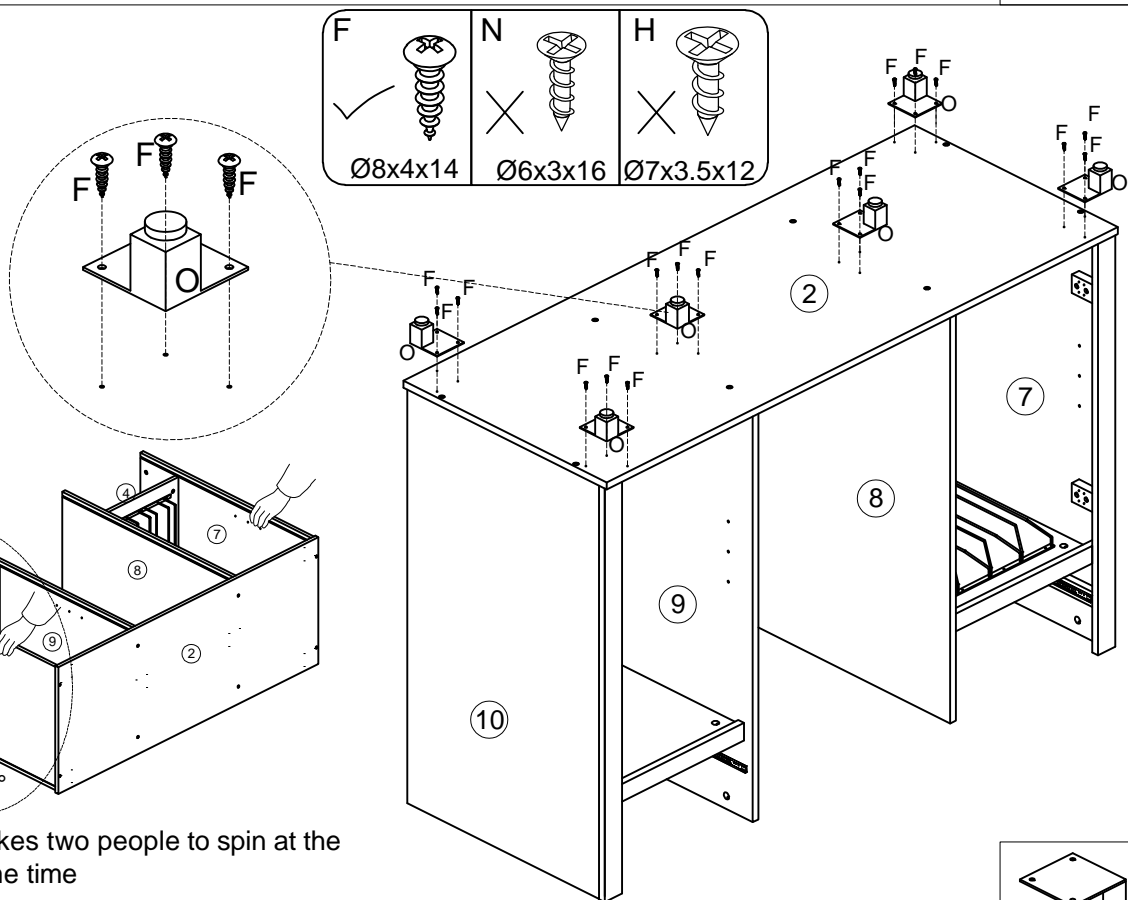



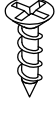

Notice that the groove is on the reverse side

-  D x 8
-  A x 8

Attach Part #2 to Part #7&8&9&10 with Dowel A x8 and Screws D x8 as shown.

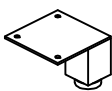
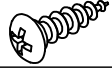
# 22



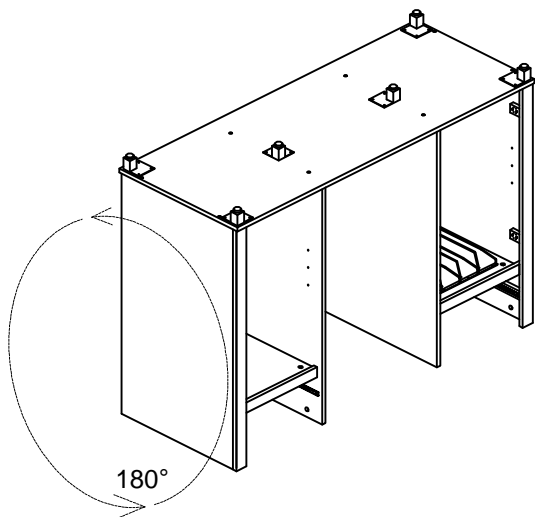
- |   |   |   |
|---|---|---|
| F   | N   | H   |
|  |  |  |
| ✓   | ✗   | ✗   |
| Ø8x4x14   | Ø6x3x16   | Ø7x3.5x12   |

It takes two people to spin at the same time

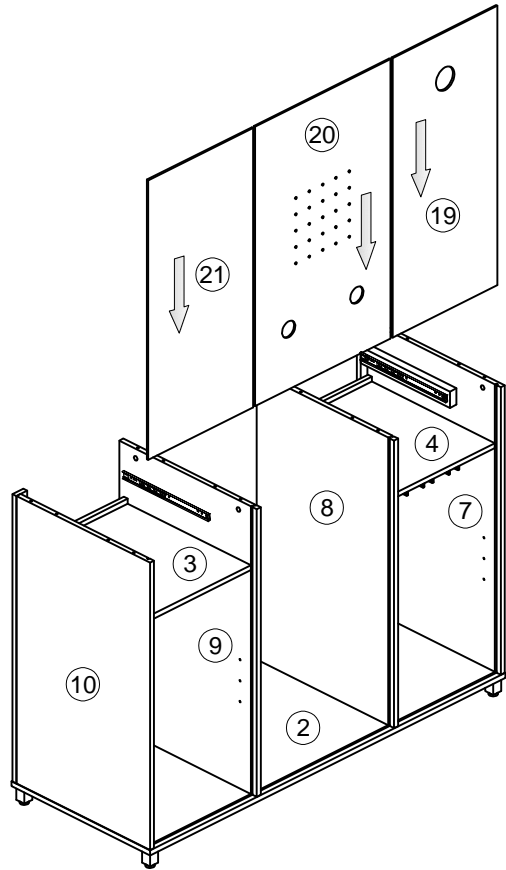
Install Adjustable Feet O x6 to Part #2 with Screws F x18 as shown.

-  O x 6
-  F x 18

# 23



It takes two people to spin at the same time



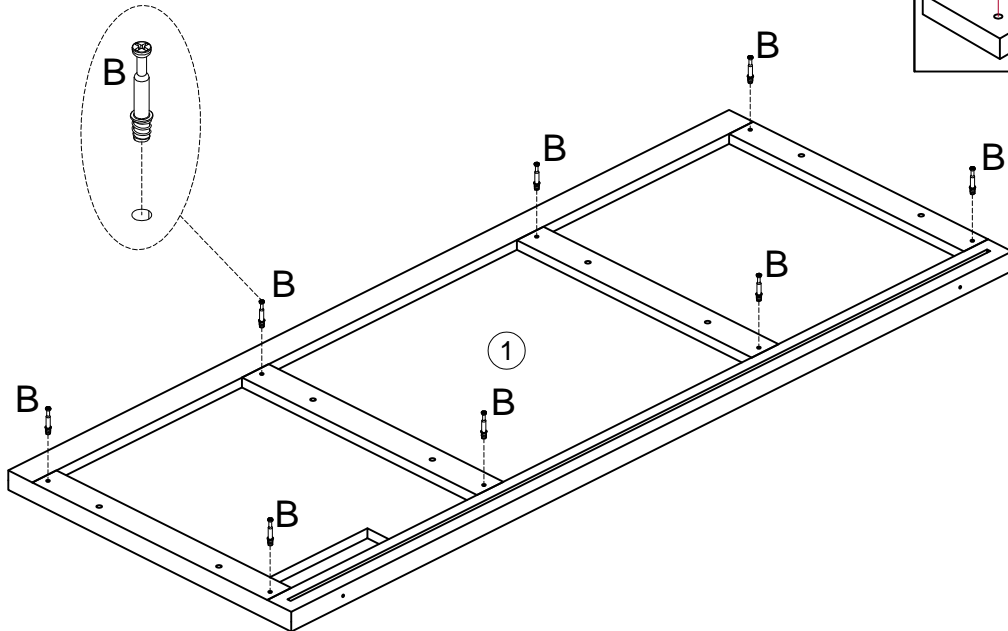
Attach Back Panel Part #19 to the Part #7&8

Attach Back Panel Part #20 to the Part #8&9

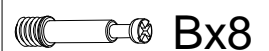
Attach Back Panel Part #21 to the Part #9&10

Note: The position of the cable hole on Part #20 can be adjusted according to the cable position of your refrigerator.

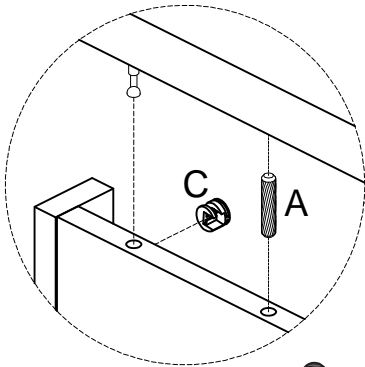
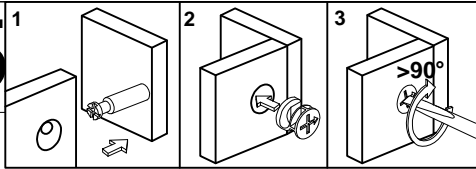
# 24



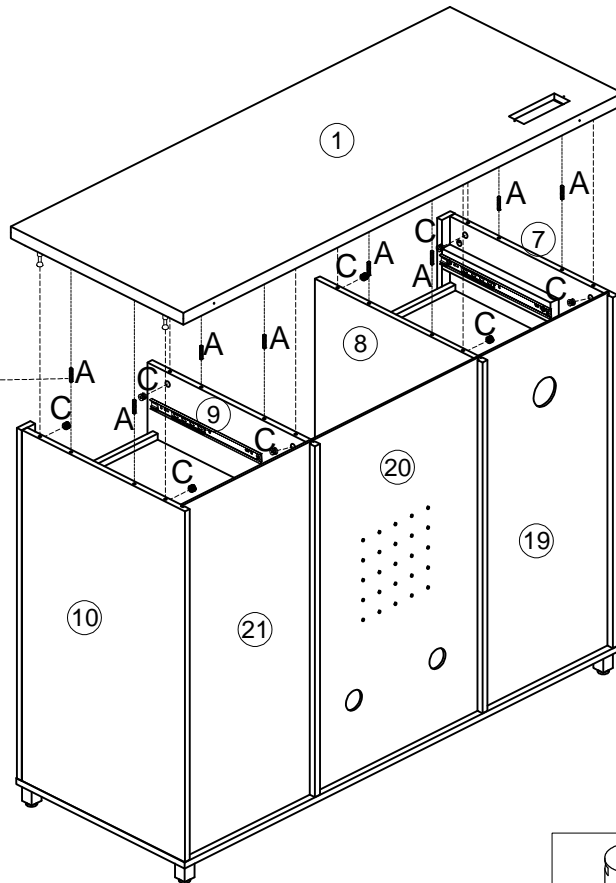
Install Cam Bolt B x8 to Part #1 as shown.



# 25



Be careful with your fingers



Attach Part #1 to Part #7&8&9&10 with Dowel A x8 as shown.  
Install and Turn Nuts C x8 to secure position as shown.

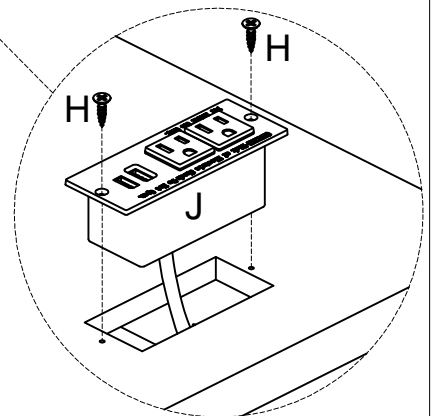
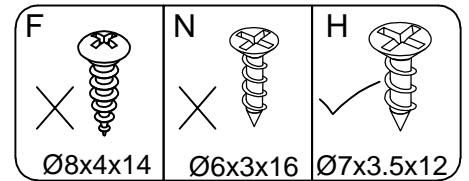
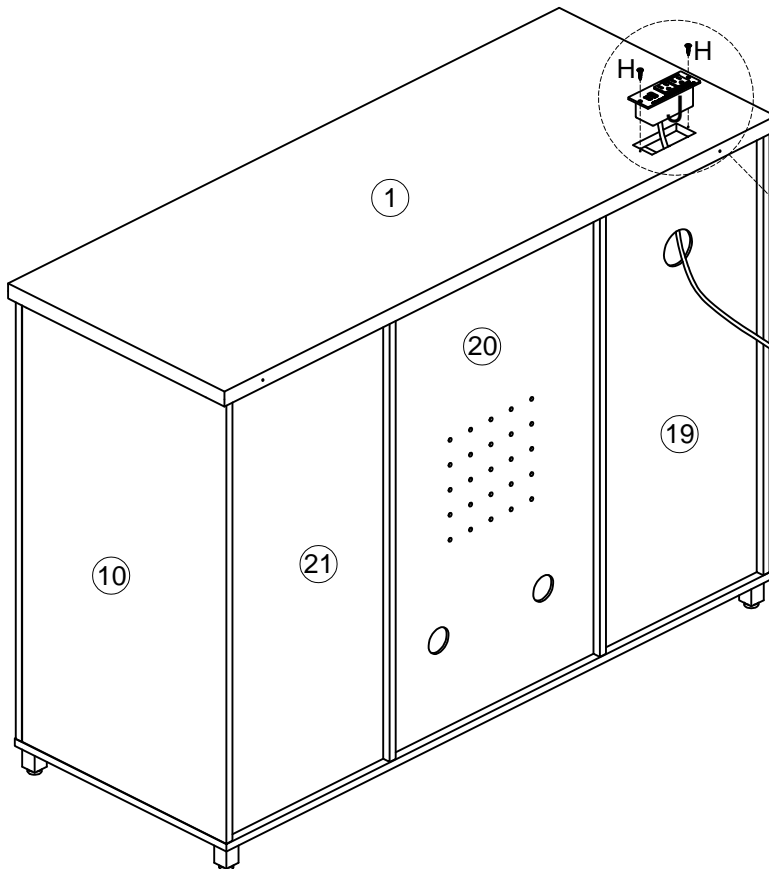


Cx8



Ax8

# 26



Install Power Outlets J x1 to Part #1 with Screws H x2 as shown.

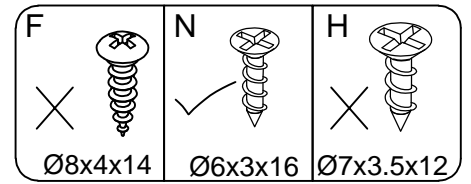
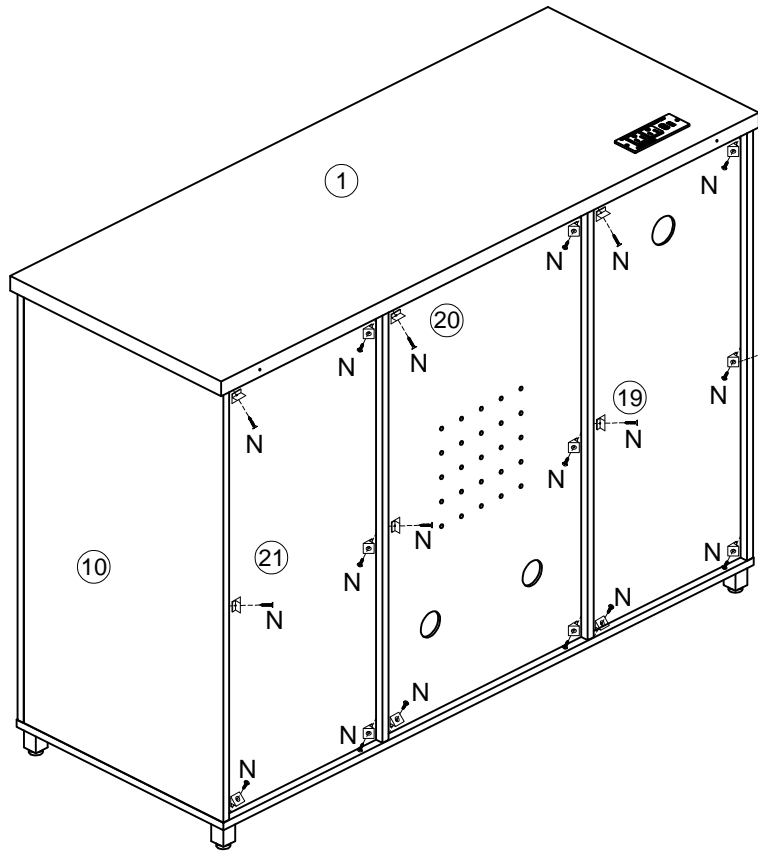


J x1

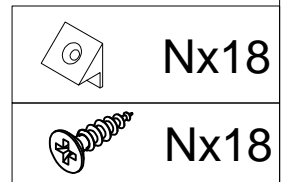


Hx2

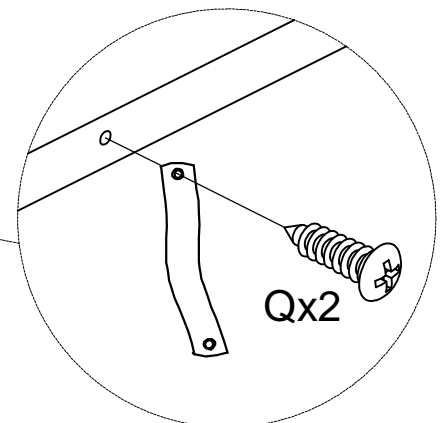
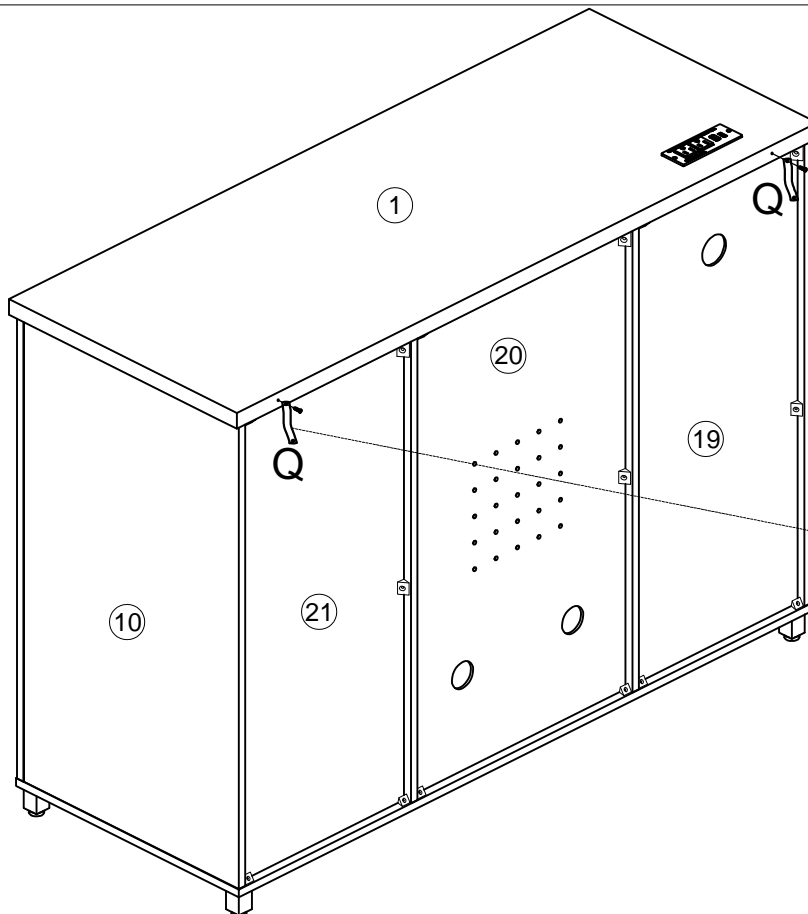
# 27



Install Back Buckle N x18 to backside (Part #19&20&21) with Screws N x18 as shown to make the product more stable.



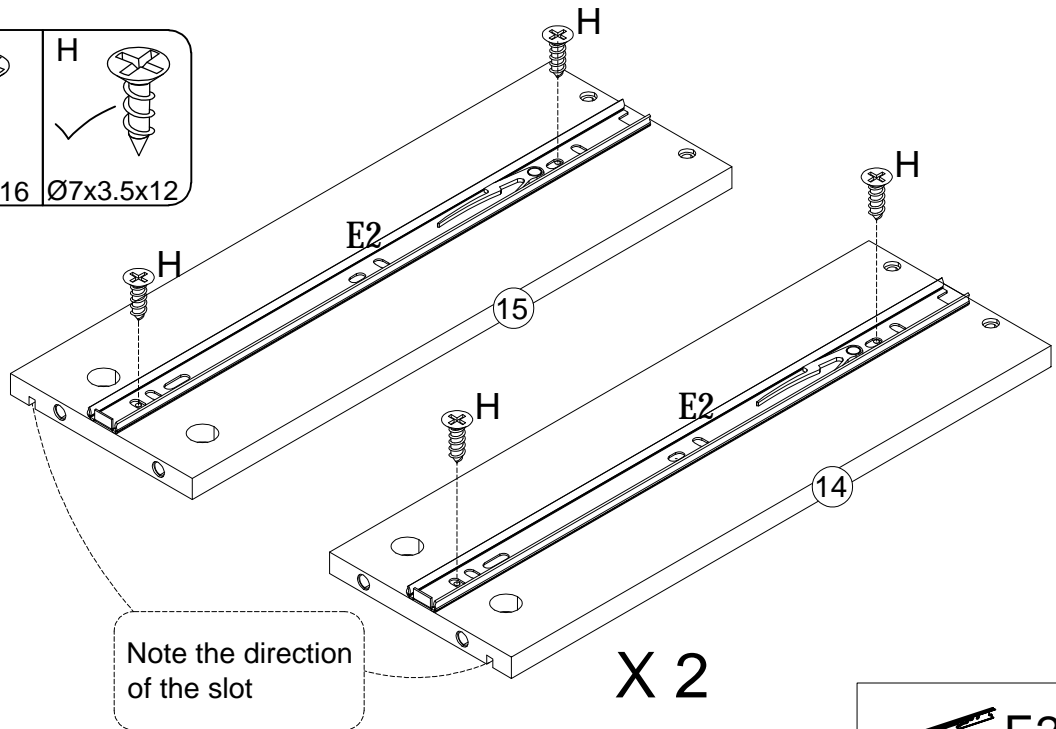
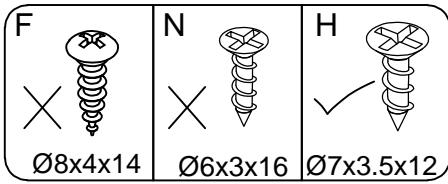
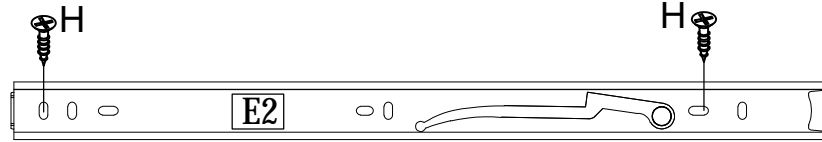
# 28



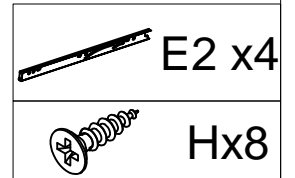
Lock the strip qx2 to part 1 with the short screw qx2 as shown in the picture and wait for the back to lock to the wall



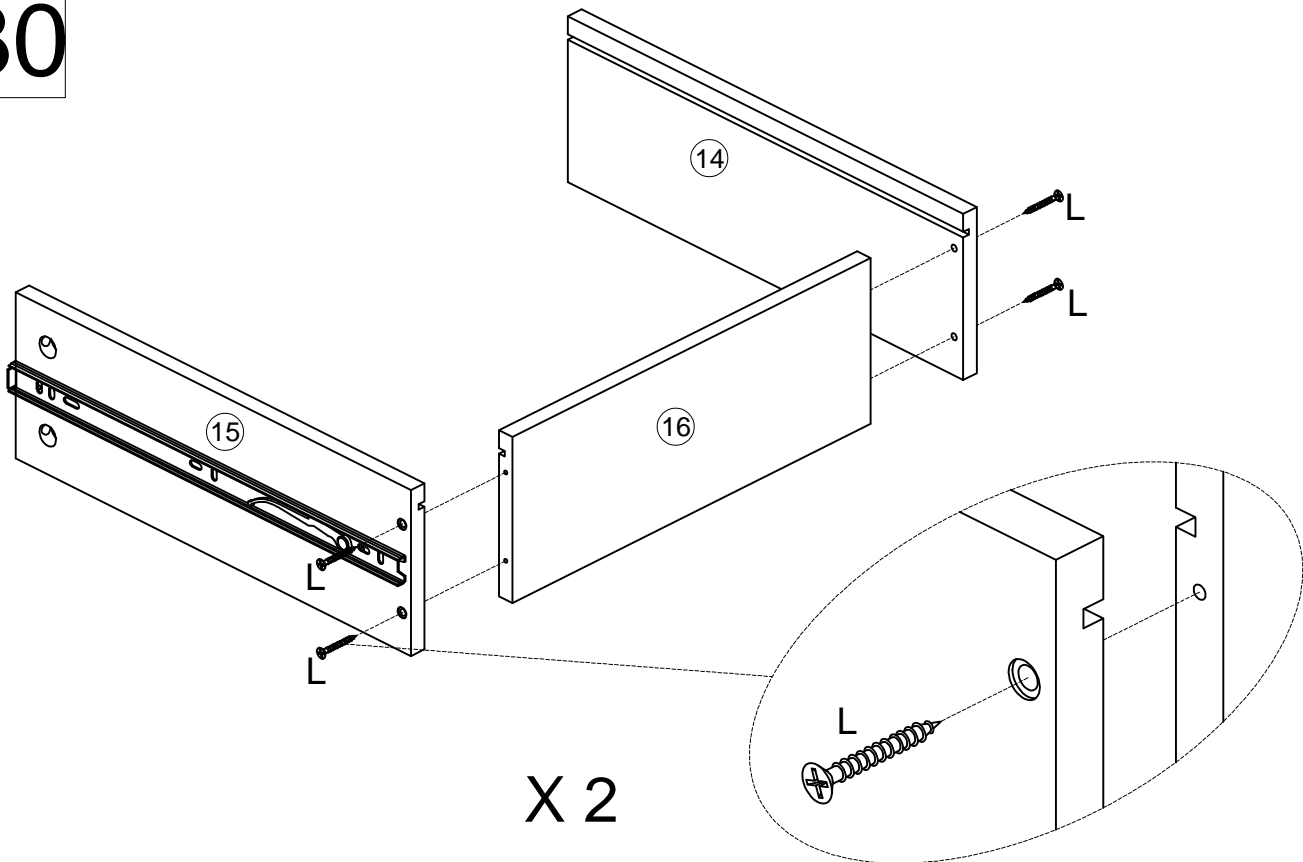
# 29



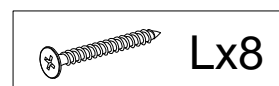
Install Rail E2 x2 to Part #14&15 with Screws H x4 as shown.  
Repeat Twice!



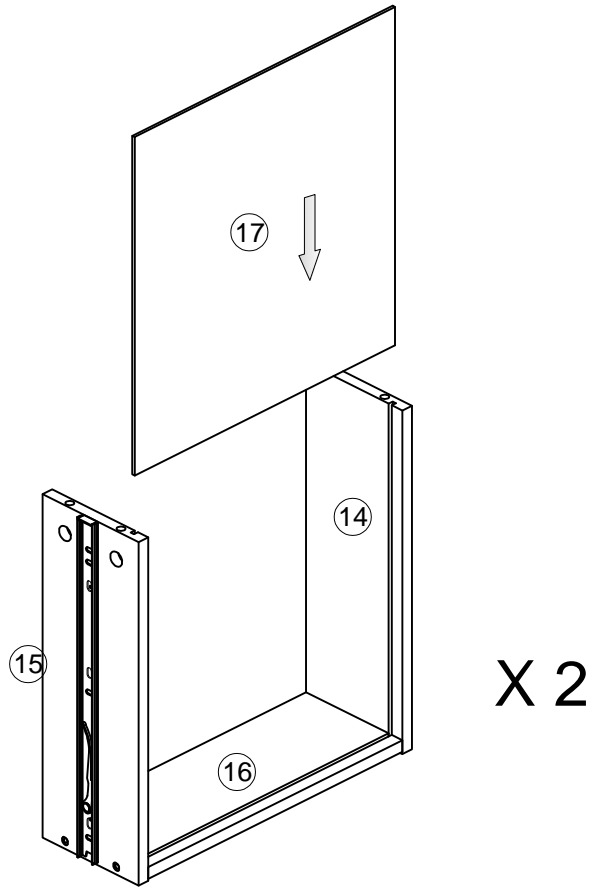
# 30



Attach Part #14&15 to Part #16 with Screws L x4 as shown.  
Repeat Twice!

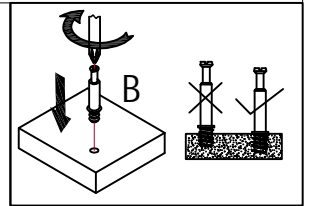
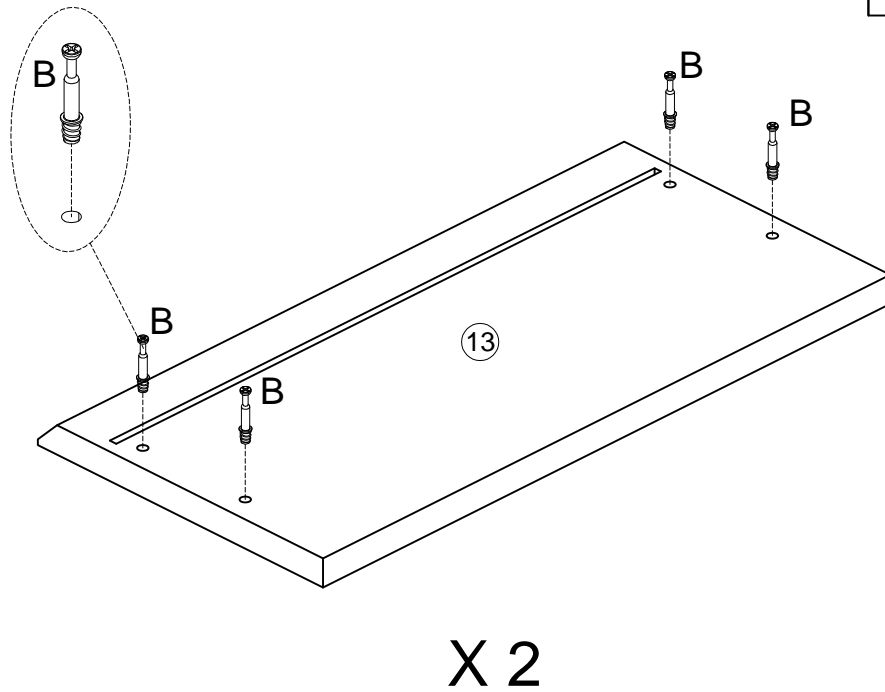


# 31

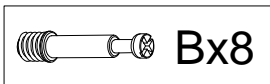


Attach Bottom Panel Part #17 to the assembled unit from Step 30.  
Repeat Twice!

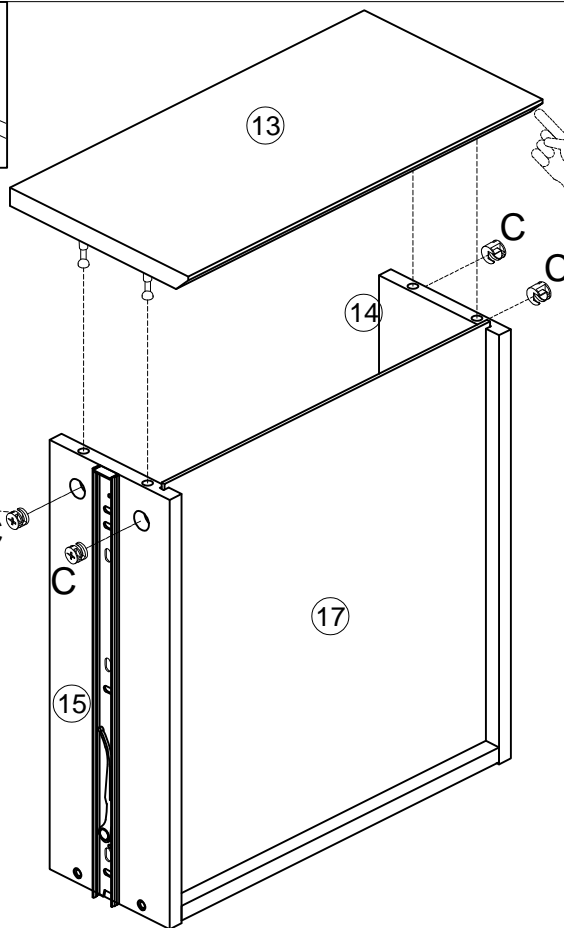
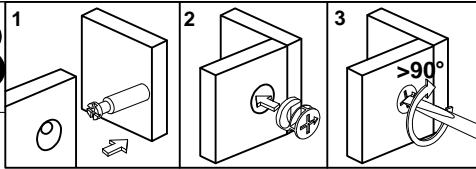
# 32



Install Cam Bolt B x4 to Part #13 as shown.  
Repeat Twice!



# 33



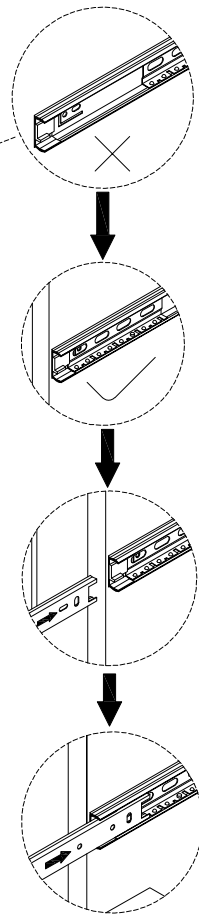
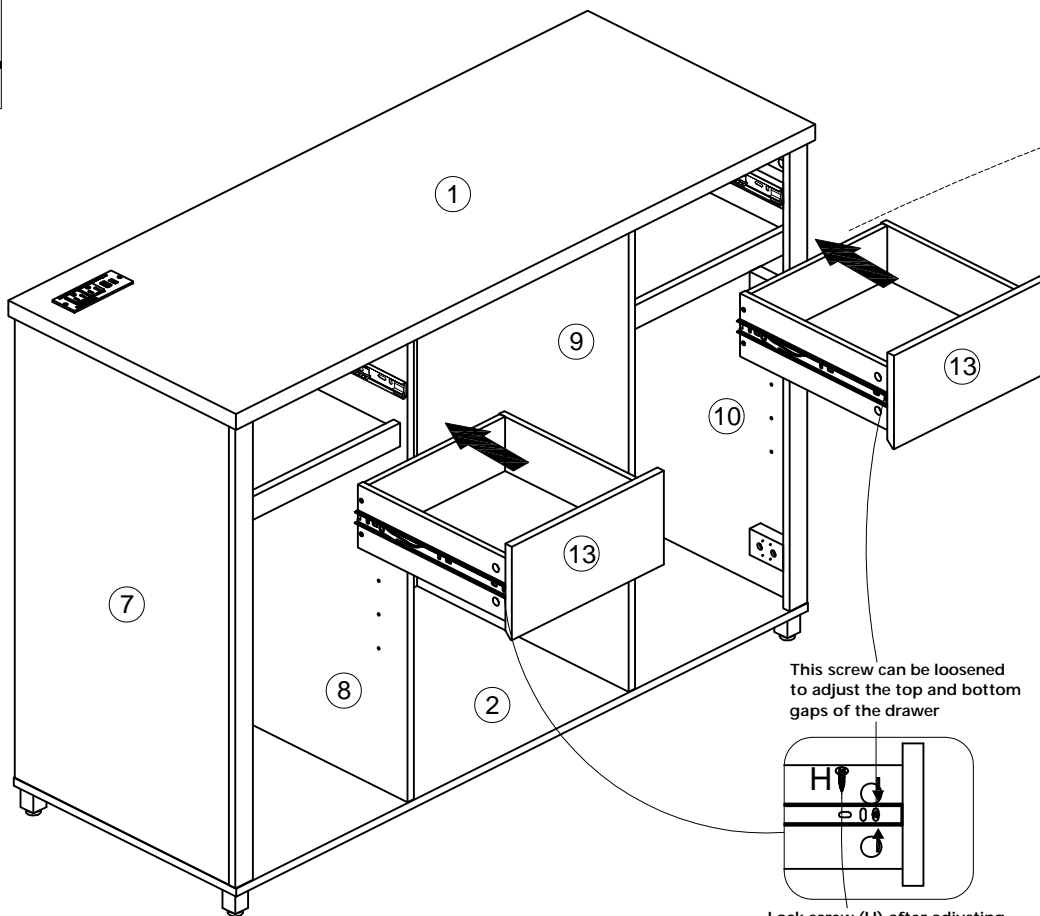
Notice the hypotenuse is on this side

X 2

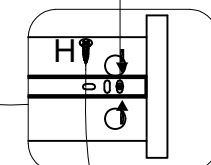
Connect Part #13 to Part #14&15  
Install and turn Nuts C x4 to secure position as shown.  
Repeat Twice!



# 34

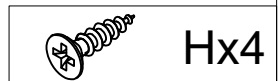


This screw can be loosened to adjust the top and bottom gaps of the drawer



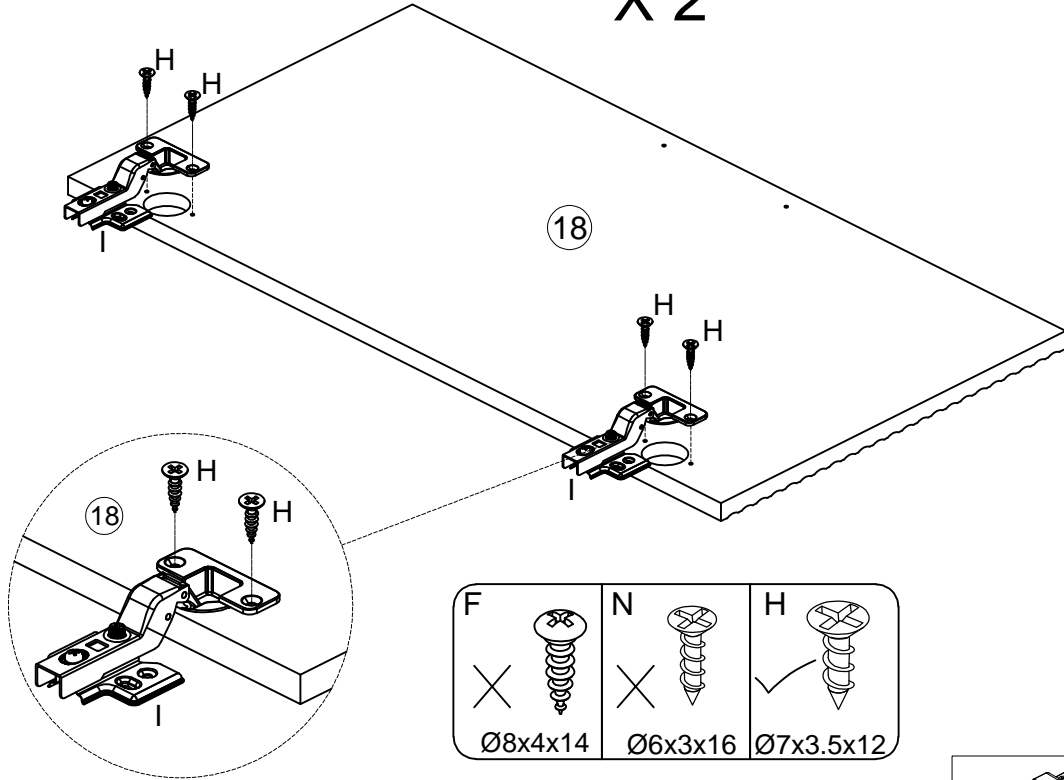
Lock screw (H) after adjusting the upper and lower gaps

Attach the two drawers to the cabinet as shown.

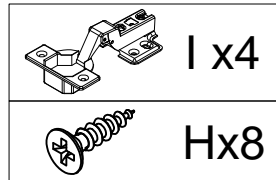


# 35

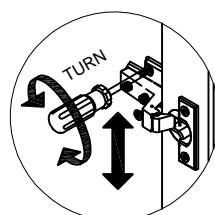
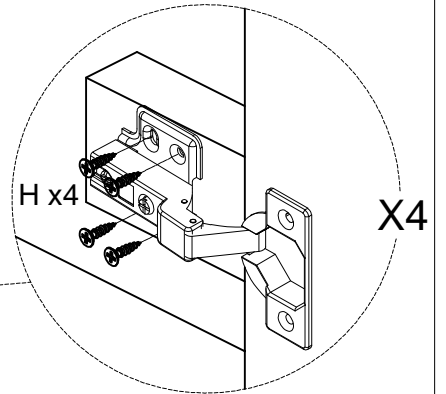
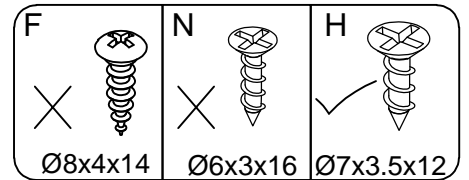
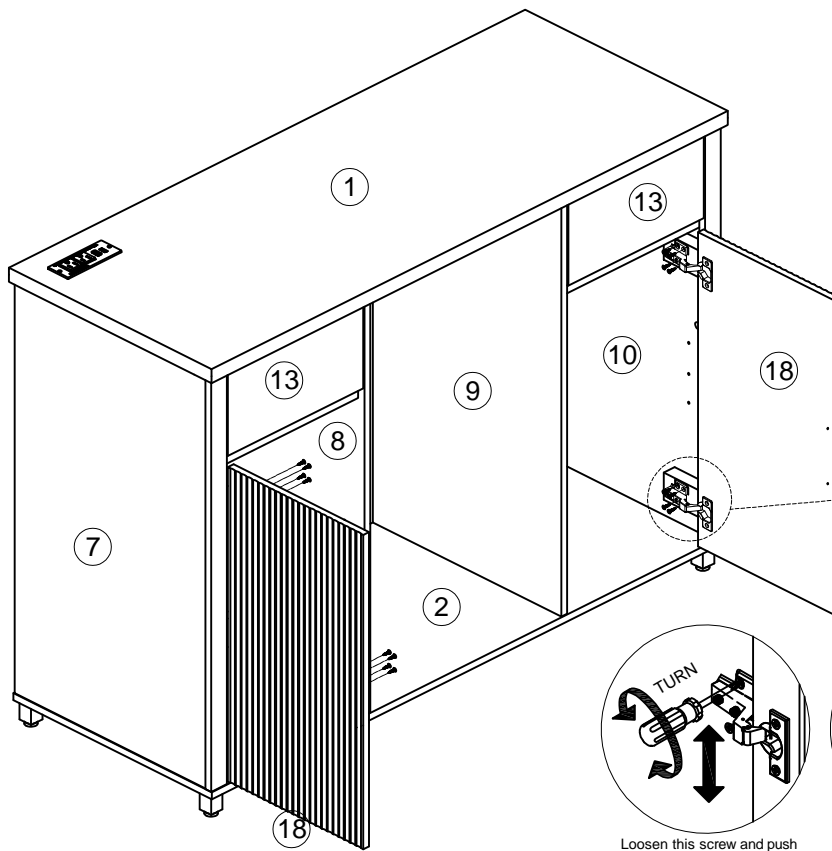
# X 2



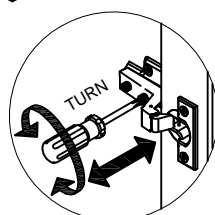
Install I x2 to Part #18 with Screws H x4 as shown.  
Repeat Twice!



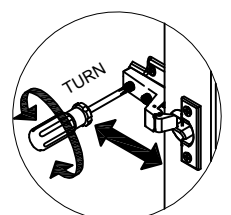
# 36



Loosen this screw and push up/down for a slight up-down adjustment of the door.



Loosen this screw for a slight left-right adjustment of the door.

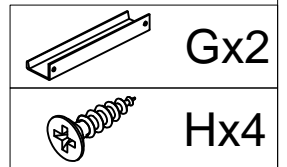
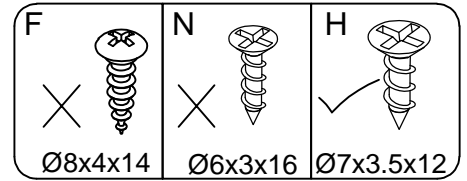
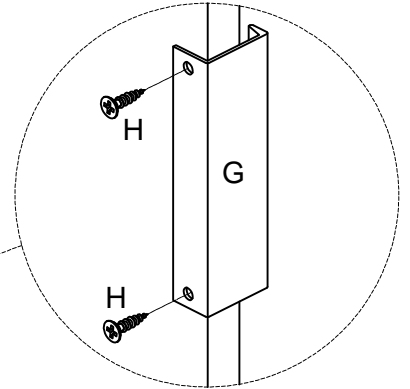
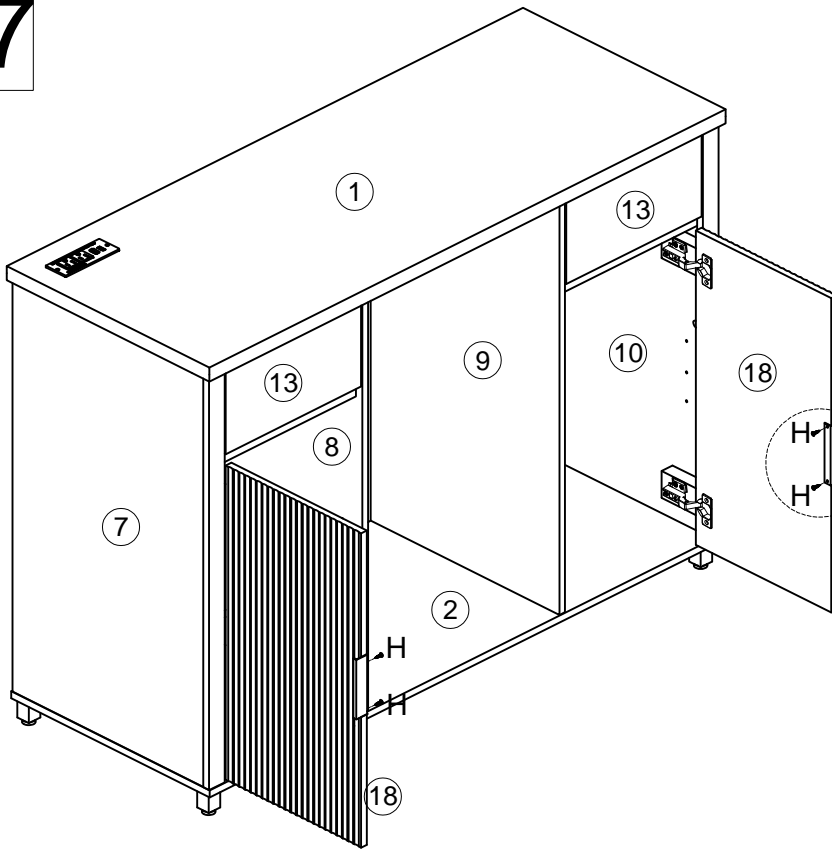


Loosen this screw and push forward/backward for a slight front-back adjustment of the door.

Attach Part #18 x2 to Part #7&10 with Screws H x16 as shown.

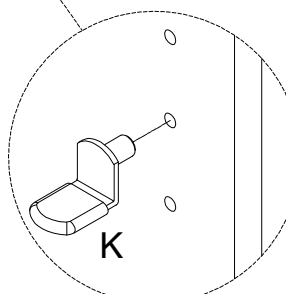
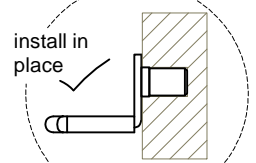
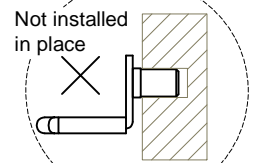
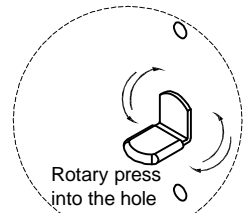
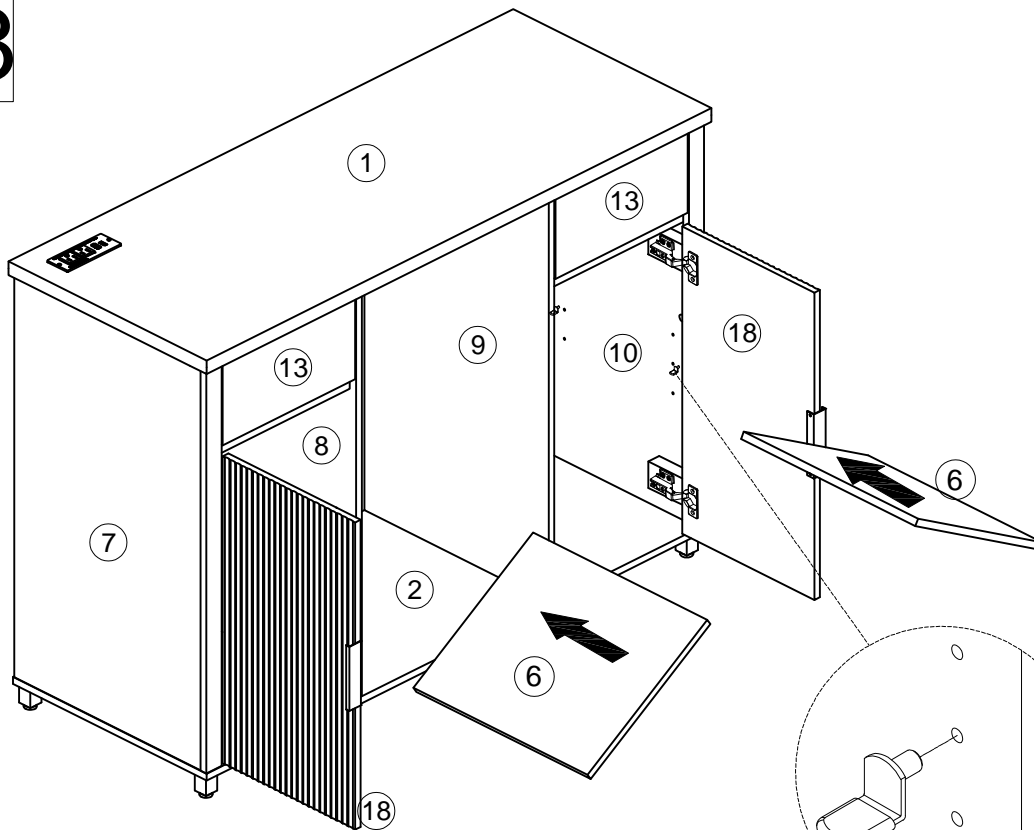


# 37

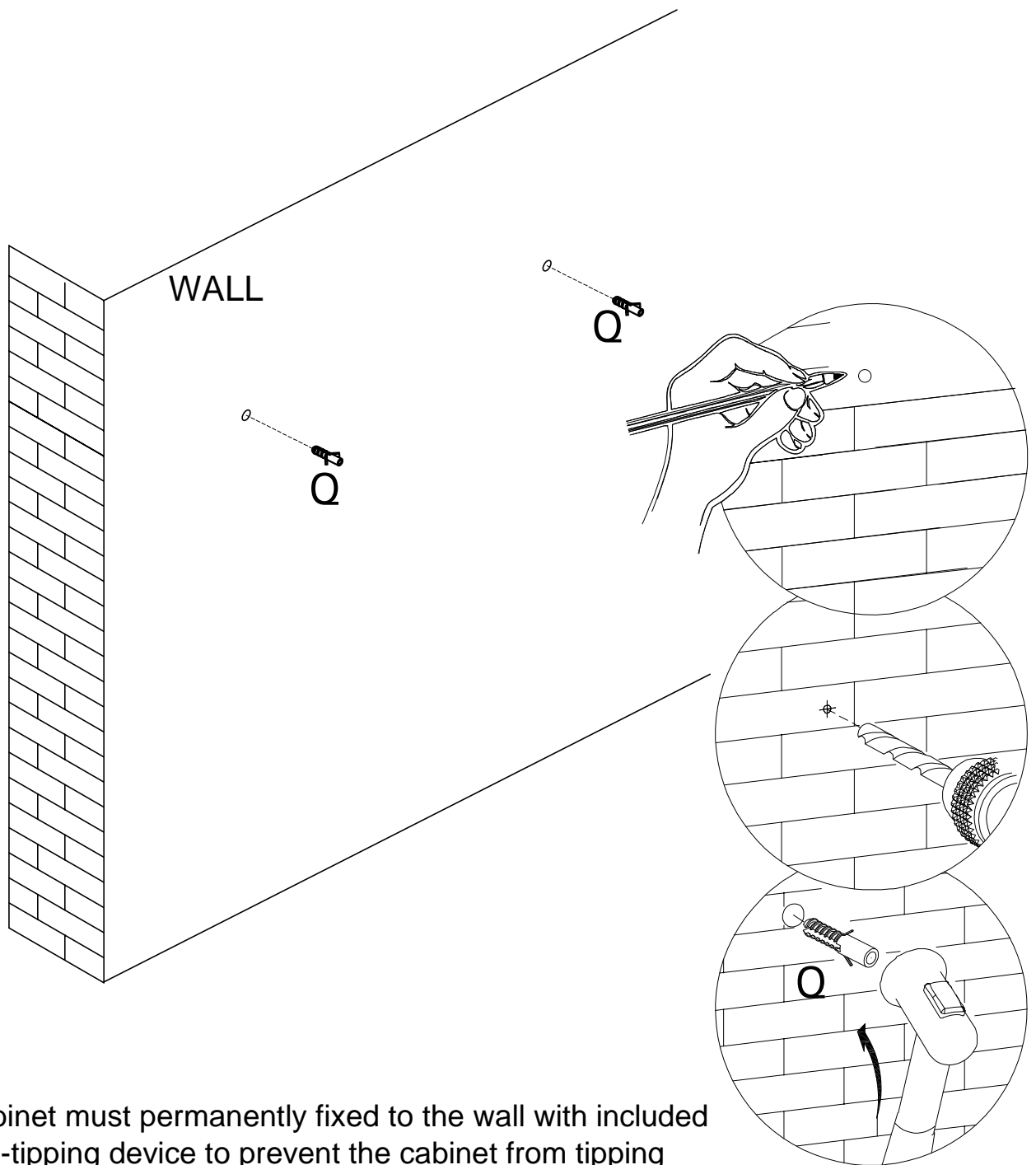


Install G x2 to Part #18 x2 with Screws H x4 as shown.

# 38



Put Adjustable Pegs K x8 at your desired height level and insert shelf Part #6 x2 as shown.



Cabinet must permanently fixed to the wall with included anti-tipping device to prevent the cabinet from tipping over.

.Mark the drill position on the wall with a pencil.

.Drill holes on the marked position using a bit.

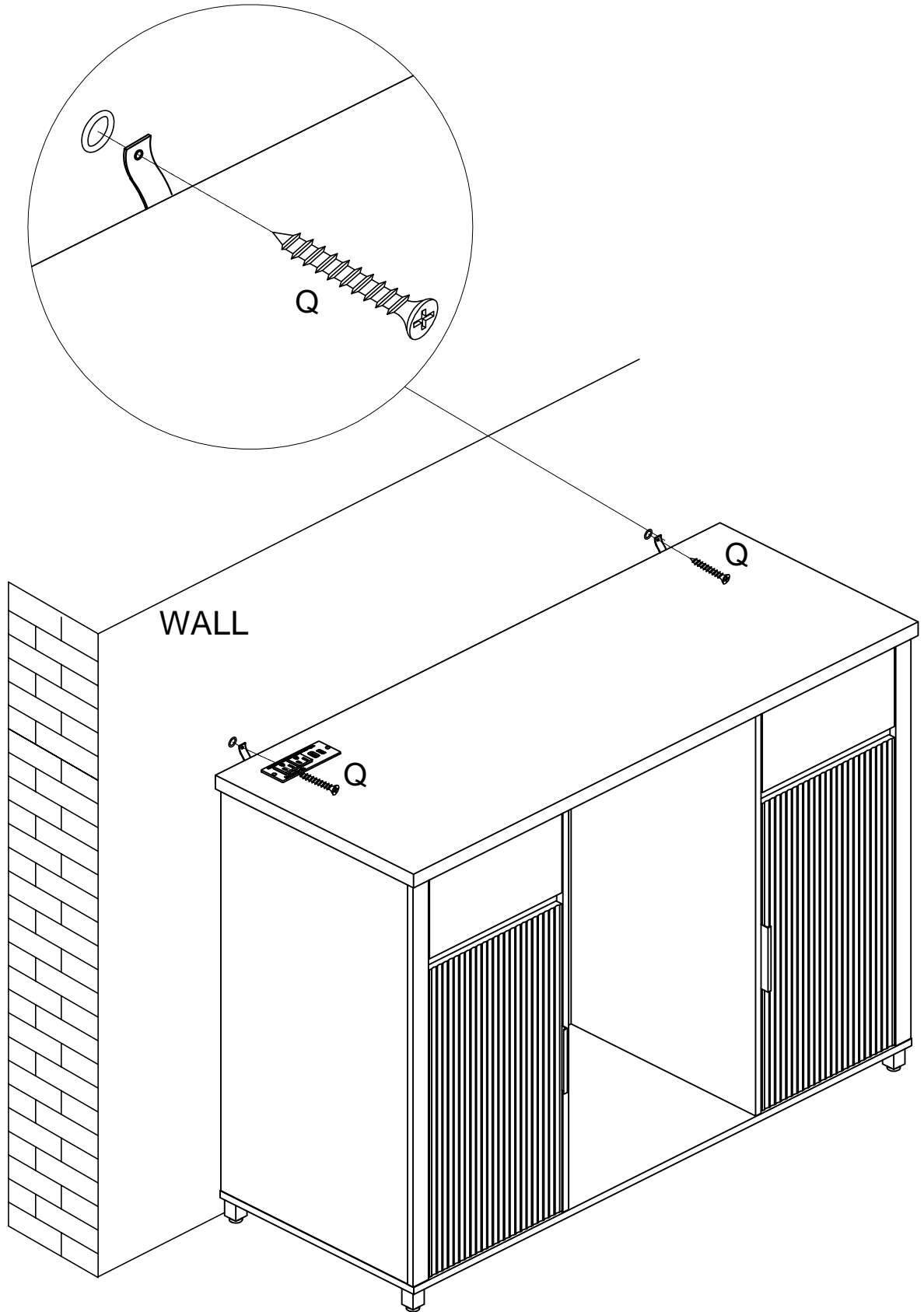
Gently insert the wall anchor (Q) into the drilled hole with the help of a hammer.

.Fixed the cabinet to the wall with provided screws (Q).



Q x2

40



As shown in the picture, insert long screw Q X 2 into the cloth strip and lock it into the wall for fixing



Q x2