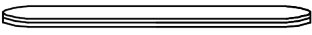
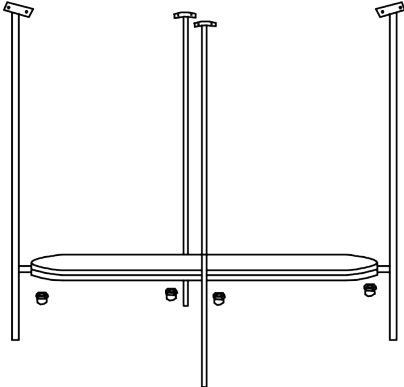

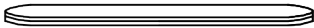

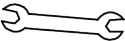
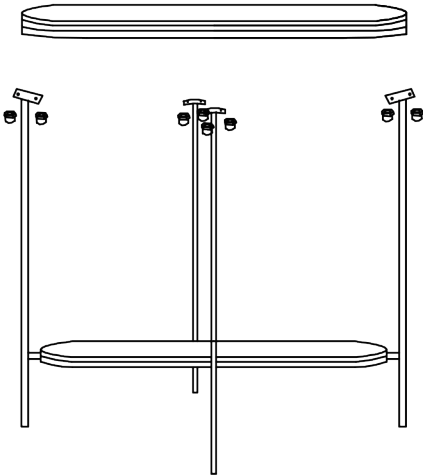
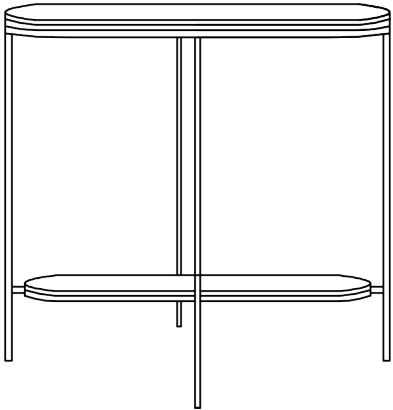


ASSEMBLY INSTRUCTIONS

<Before assembling, read all the instruction>

A	 table top	1PC	<p>step1</p>  <p>Assemble the bottom shelf and legs , then tighten the nuts .</p>
B	 table leg	4PCS	
C	 bottom shelf	1PC	
D	 nut	12PCS	
E	 wrench	1PC	

<p>step2</p>  <p>Assemble the table top and legs , then tighten the nuts .</p>	<p>step3</p> 
--------------------------------------------------------------------------------------------------------------------------------------------------------------------------	----------------------------------------------------------------------------------------------------------

SAFETY NOTICE

PREVENT FURNITURE TIP OVER ACCIDENTS

Free Standing Furniture above 600mm in height must be securely attached to the wall to prevent it from tipping over and causing injury.

Please Use the anti-tip restraint provided

One end of this restraint must be secured to the cabinet with the screw(s) provided in the fittings pack.

The other end of the restraint must be attached to the wall with hardware appropriate for that wall type.

Never put a TV or other heavy objects on top of a chest of drawers or any furniture not intended for use with a TV.

Place heavy objects in the lowest drawers or shelves

Never let children climb or hang on drawers, doors or shelves

