



# WARNING!!

Children have died from furniture tipover. Tip restraints have been included with this product; you must install the tip restraints according to these instructions in order to minimize the risk of furniture tipping. If you have any questions about this product or the tip restraint, please send us an email

**NEVER** allow children to climb or hang on furniture, including drawers or cabinet doors.

In addition to installing the restrains, to help prevent tip-over

1. **NEVER** put a TV or other heavy objects on top of this product".
2. Do not stand on the product

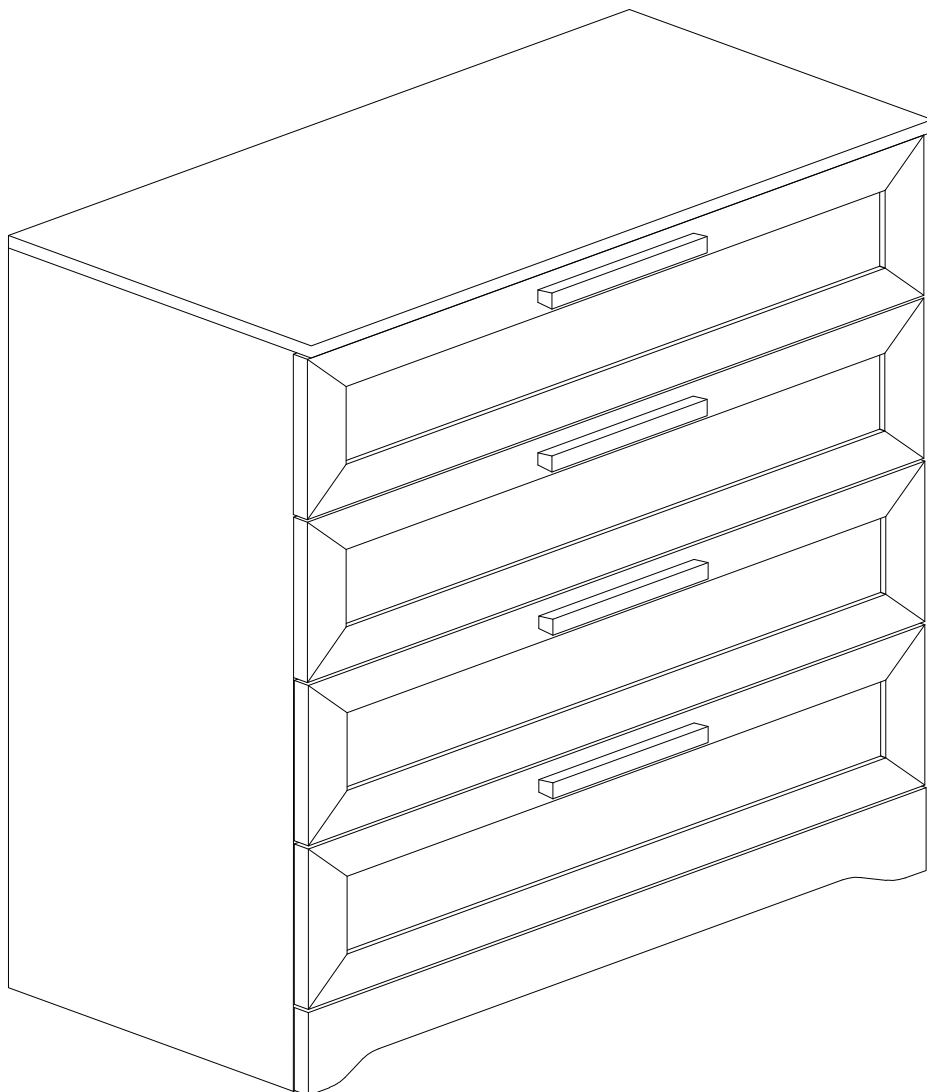
	<p><b>Children have died from furniture tipover. To reduce the risk of furniture tipover:</b></p> <ul style="list-style-type: none"><li>• ALWAYS install tipover restraint provided.</li><li>• NEVER put a TV on this product.</li><li>• NEVER allow children to stand, climb or hang on drawers, doors, or shelves.</li><li>• NEVER open more than one drawer at a time.</li><li>• Place heaviest items in the lowest drawers.</li><li>• Do not defeat or remove the drawer interlock system.</li></ul> <p><i>This is a permanent label. Do not remove!</i></p>
	

# Assembly Instructions

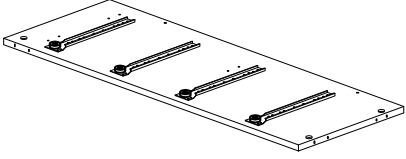
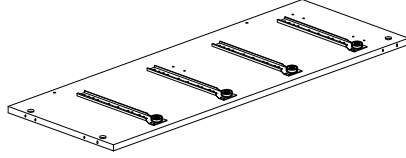
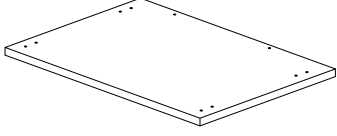
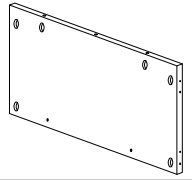
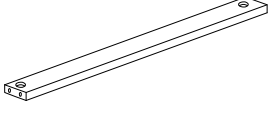
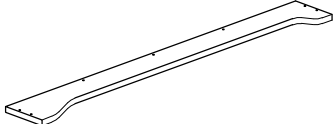
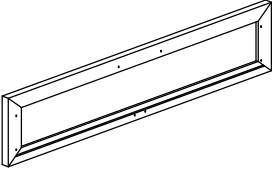

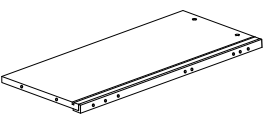
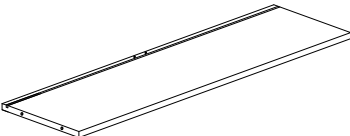
**Caution : You must read this before you proceed**

**Please look in \*\*\*\*\* for hardware packs and legs.  
Sets often ship in multiple boxes and may arrive a day or two apart.**

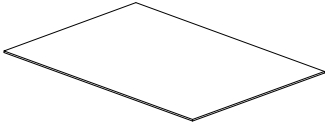
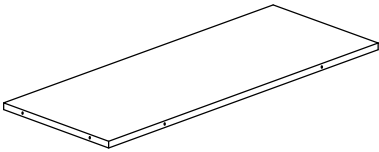
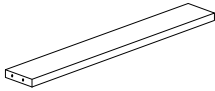
## **CHEST**







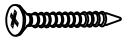



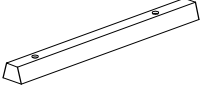
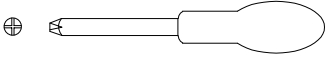
# Parts List

Label	Picture	Description	QTY
A		Right Side Panel	1
B		Left Side Panel	1
C		Top Panel	1
D		Bottom Panel	1
E		Centre Support	1
F		Crossbar	1
G		Drawer Front	4
H		Drawer Right Panel	4
I		Drawer Left Panel	4
J		Drawer Back Panel	4

# Parts List

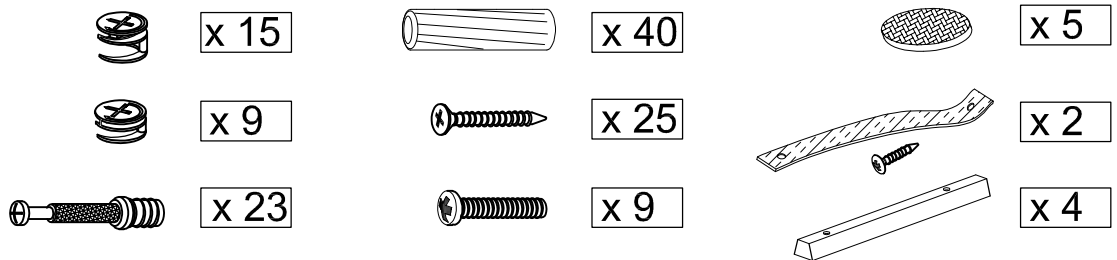
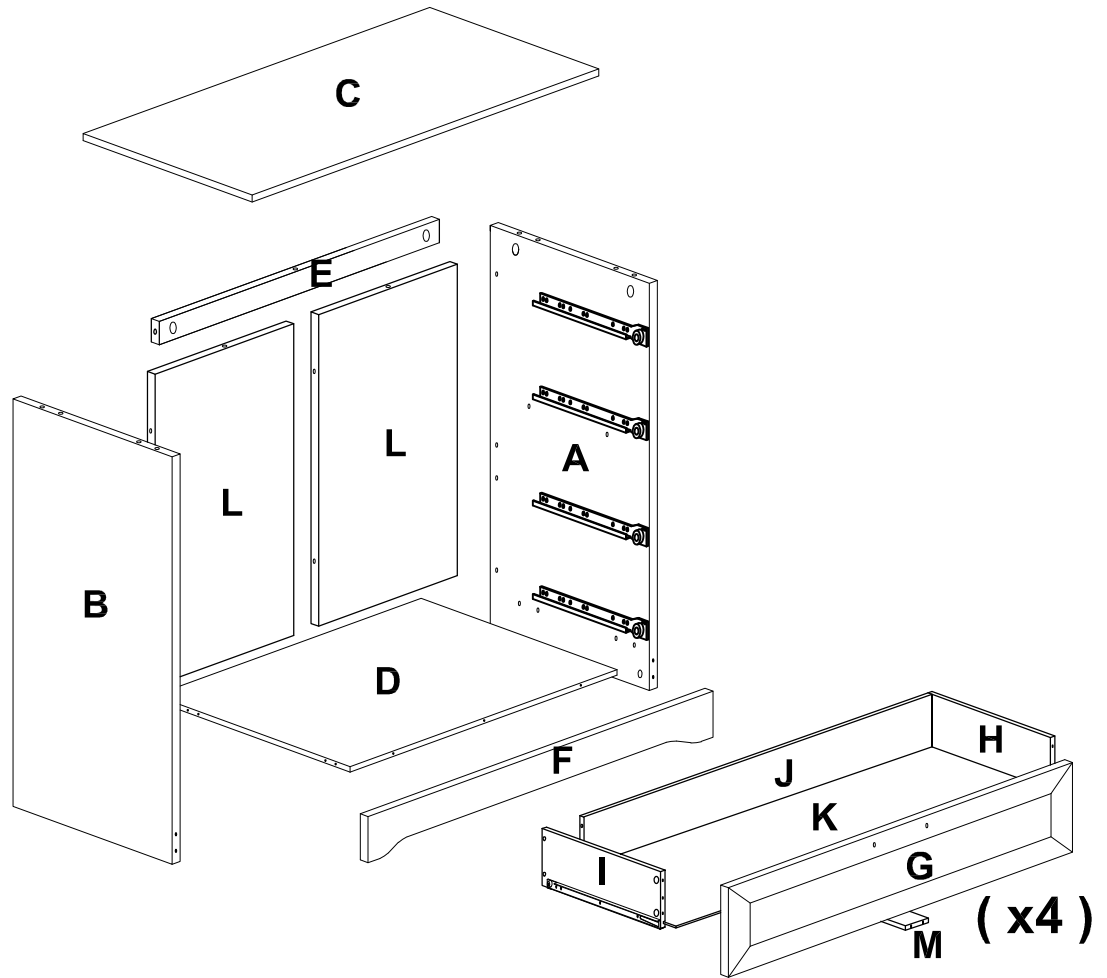
Label	Picture	Description	QTY
K		Drawer Base	4
L		Back Panel	2
M		Drawer Bottom Support	4

# Hardware

Label	Picture	Description	QTY
①		Large Camlock (15 X 12mm)	15
②		Small Camlock (15 X 9mm)	9
③		Cam Bolt	23
④		Wood Dowel (Ø6 X 30mm)	40
⑤		Flat Head Screw (M3.5 x 25mm)	25
⑥		Pan Head Bolt (M4 x 25mm)	9
⑦		Leveler	5
⑧		Anti Tip Strap + Screw	2
⑨		Handle	4
⑩		Screw Driver (Not Provided)	1

# Assembly Preparation

Before  
Beginning  
Assembly



- Read instructions, cover to cover-



- Have 2 adults on hand for assembly-



- Do not assemble on flooring or carpet-



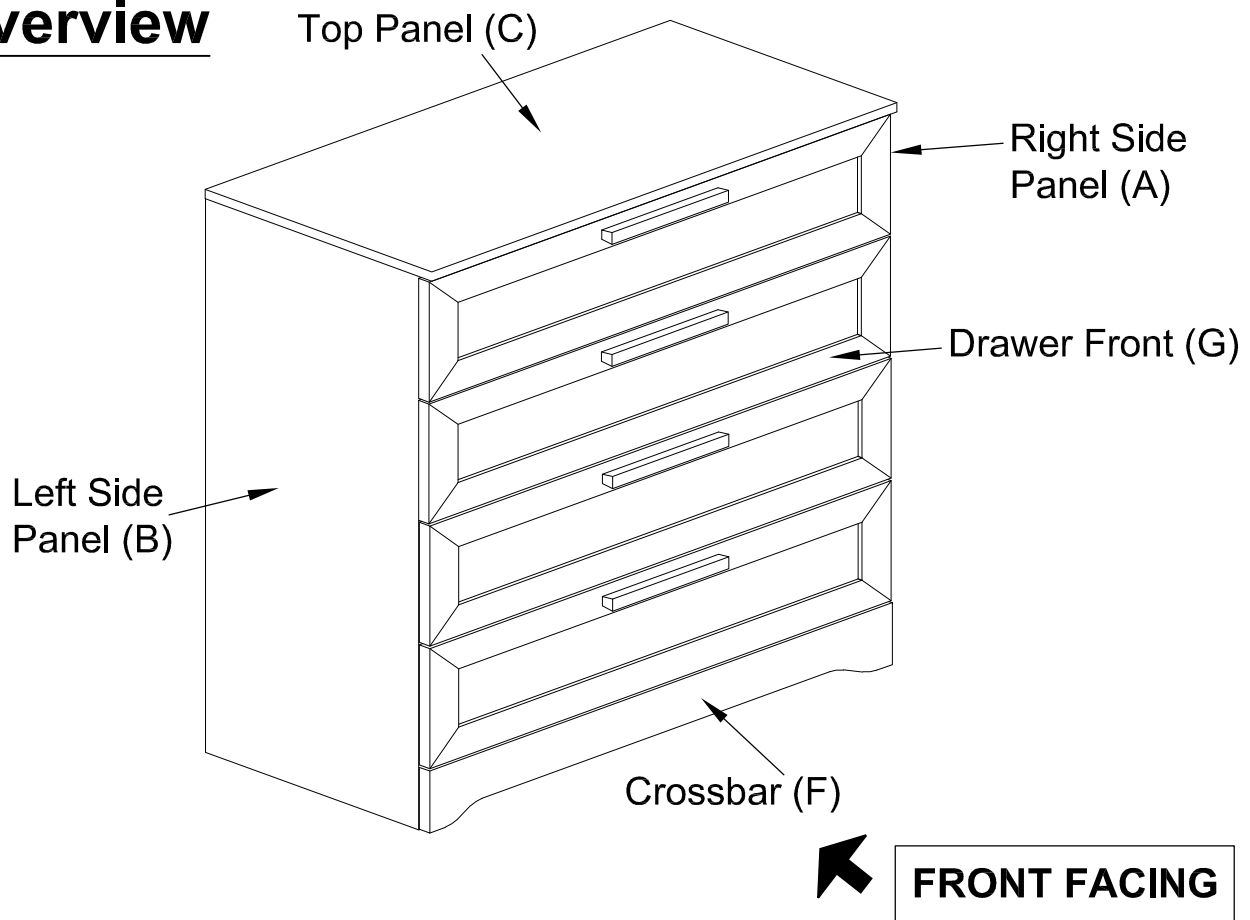
- Assemble on a clean non-marring surface (packing foam)-



- Save all packaging until finished-

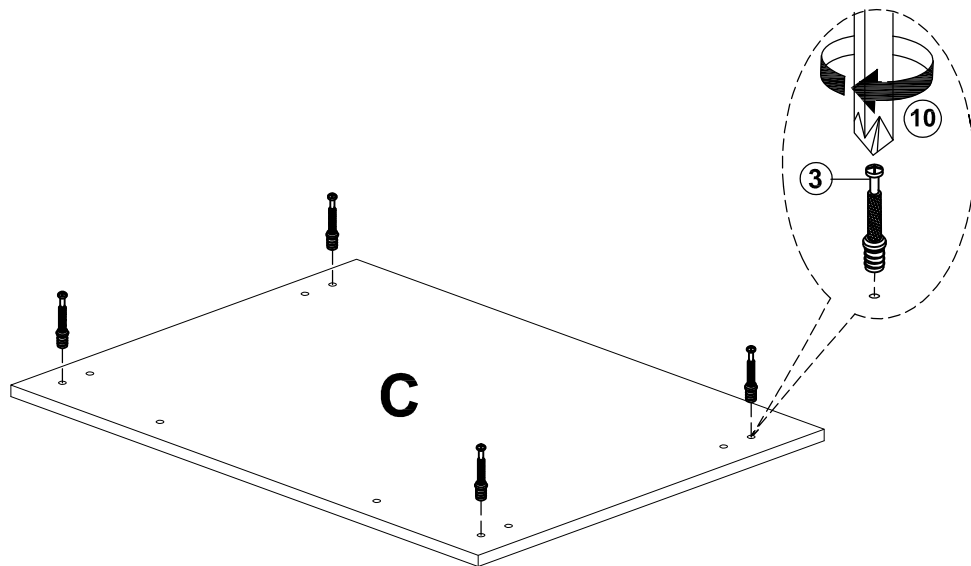
# Assembly Steps

## Overview



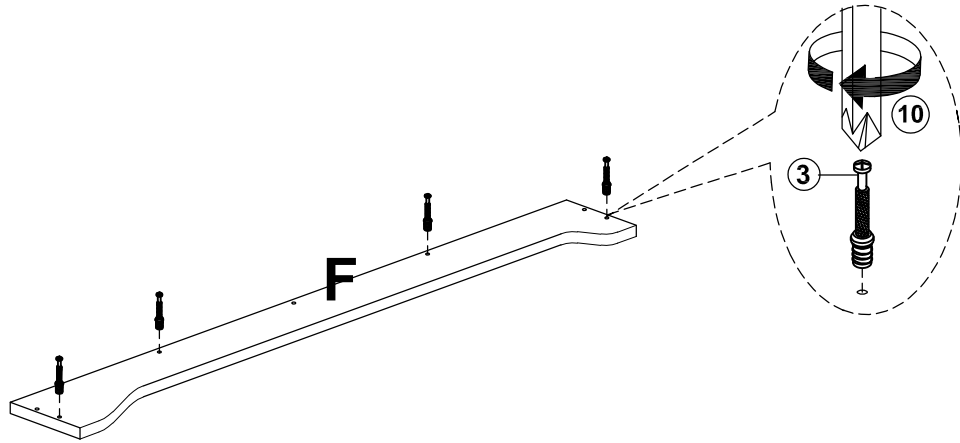
This Chest has multiple parts and may require up to 60 minutes to assemble. To give you an overview of the Chest, the above picture is to help you put the various parts into perspective. Please read through the instructions here below to familiarize yourself with the parts and steps before assembly.

## Step 1



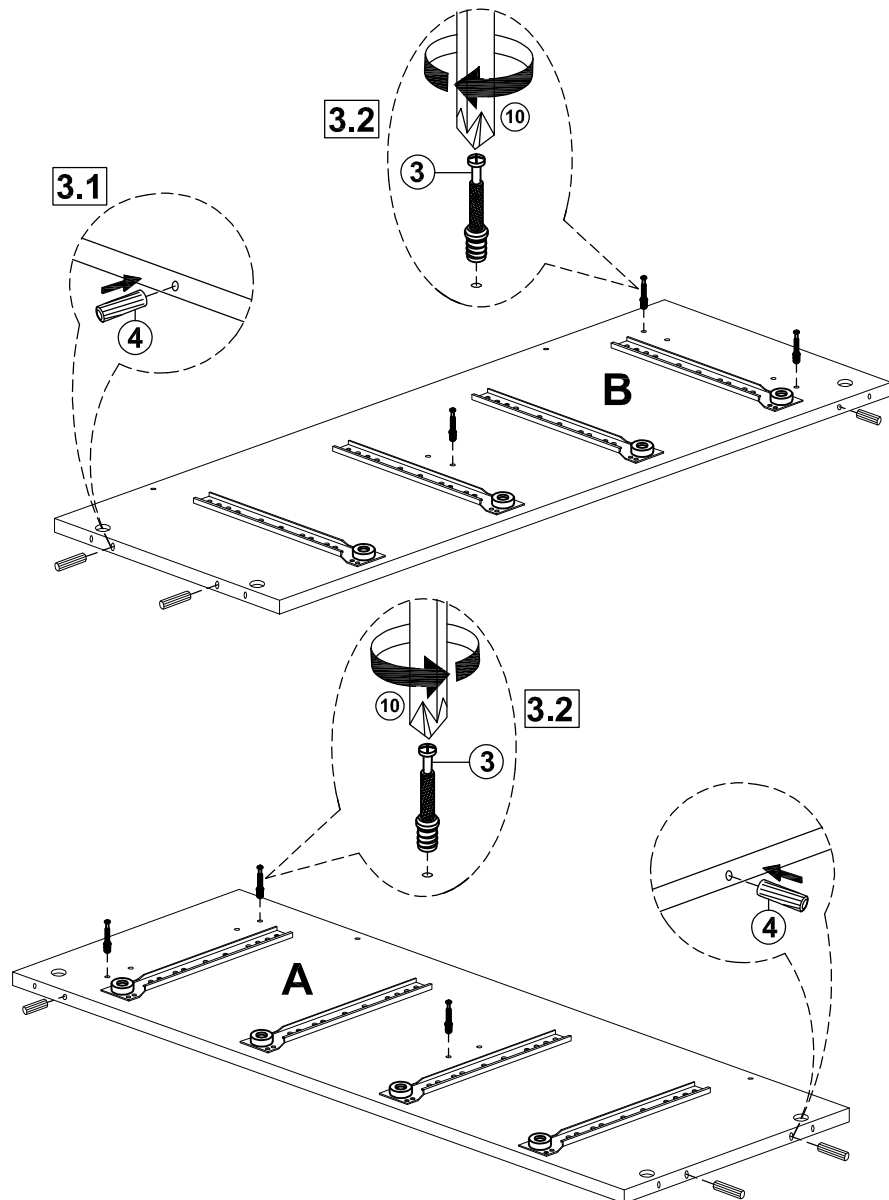
Unpack and place all parts on a clean, non-marring surface.  
Attach Cam Bolts (3) to the mounting positions on the Top Panel (C) using a Screw Driver (10).

## Step 2



Attach Cam Bolts (3) to the mounting positions on Crossbar (F) using a Screw Driver (10).

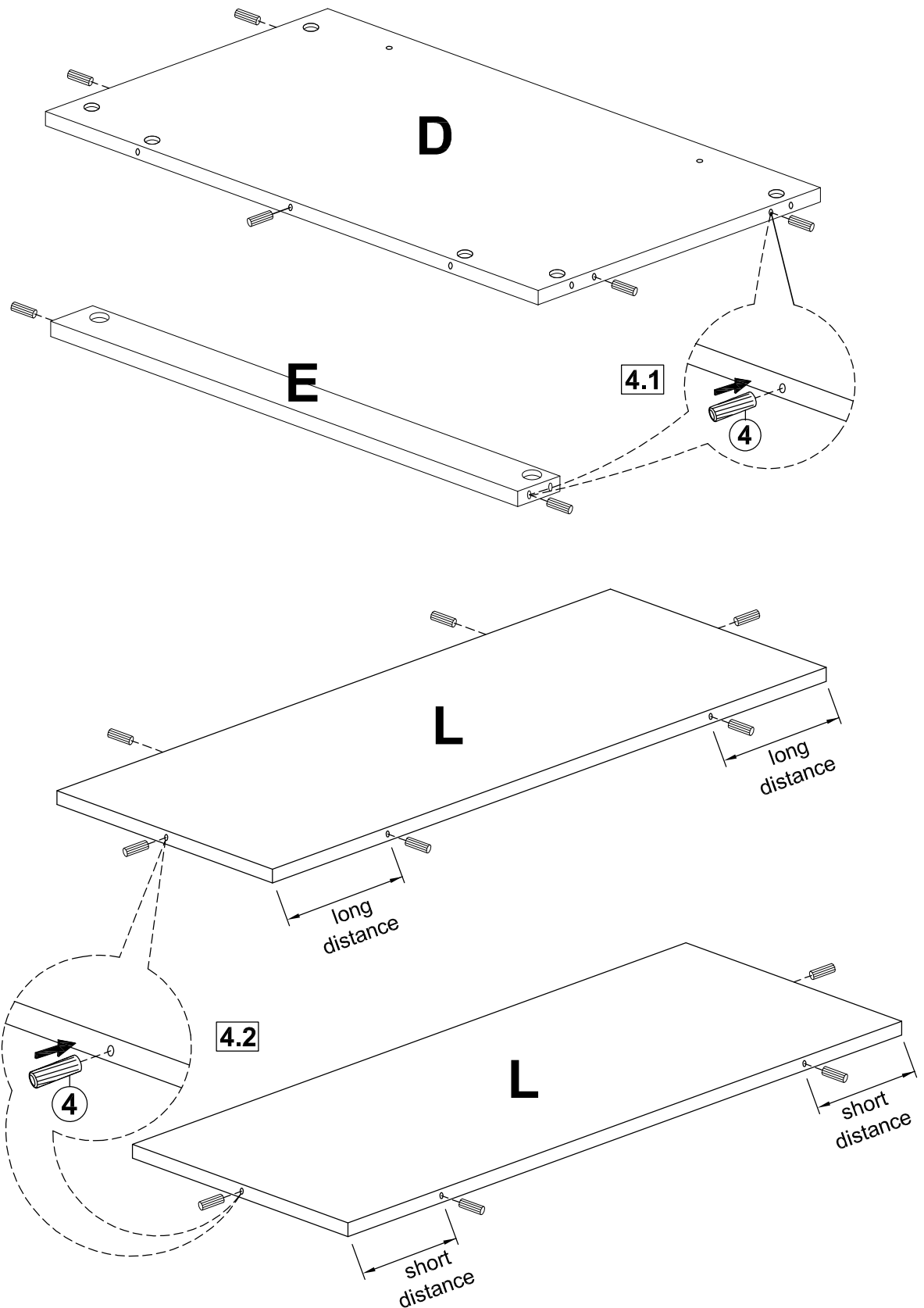
## Step 3



**3.1)** Insert Wood Dowels (4) into the mounting positions on the side edges of the Left Side Panel (B) and Right Side Panel (A).

**3.2)** Attach Cam Bolts (3) to the mounting positions on Left Side Panel (B) and Right Side Panel (A) with a Screw Driver (10).

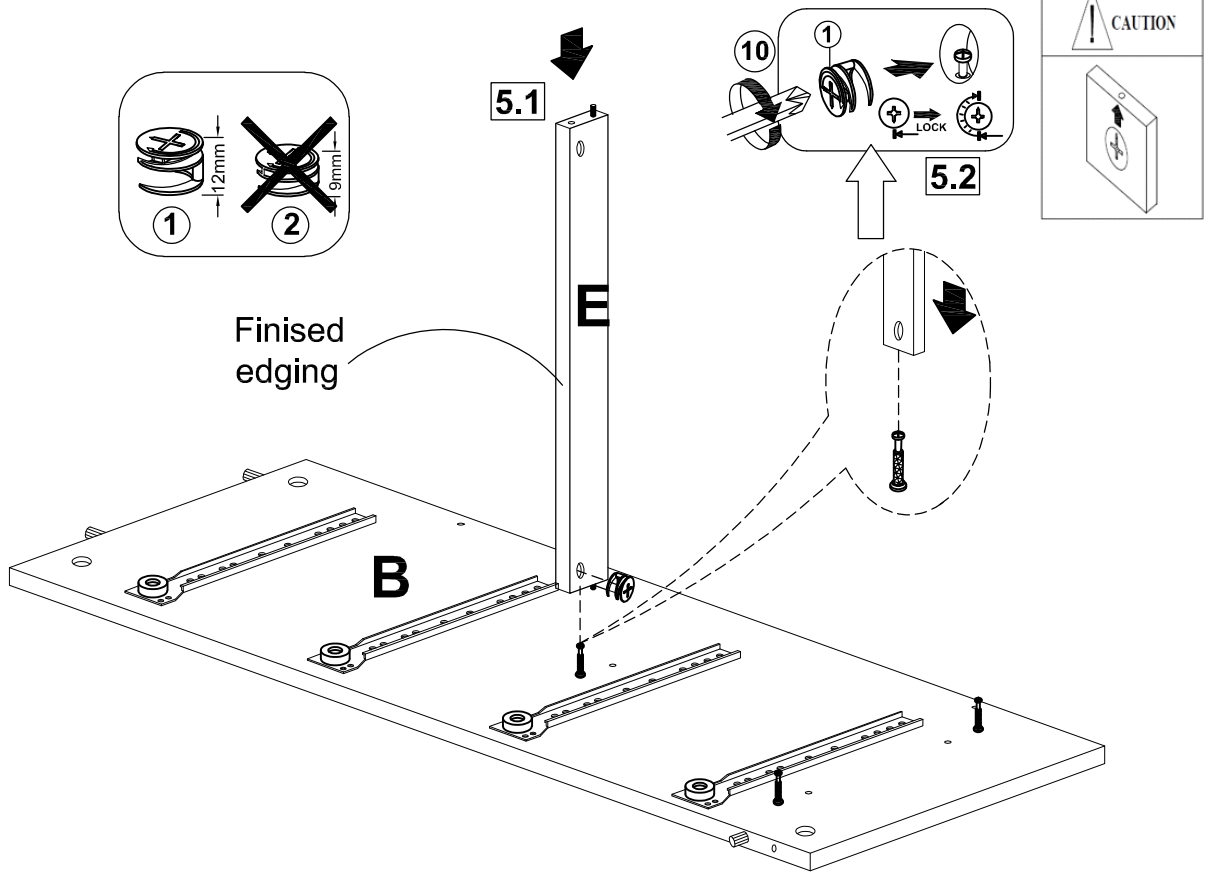
## Step 4



**4.1)** Insert Wood Dowels (4) into the mounting positions on the side edges of the Bottom Panel (D) and Centre Support (E).

**4.2)** Insert Wood Dowels (4) into the mounting positions on the side edges of the Back Panels (L).

## Step 5

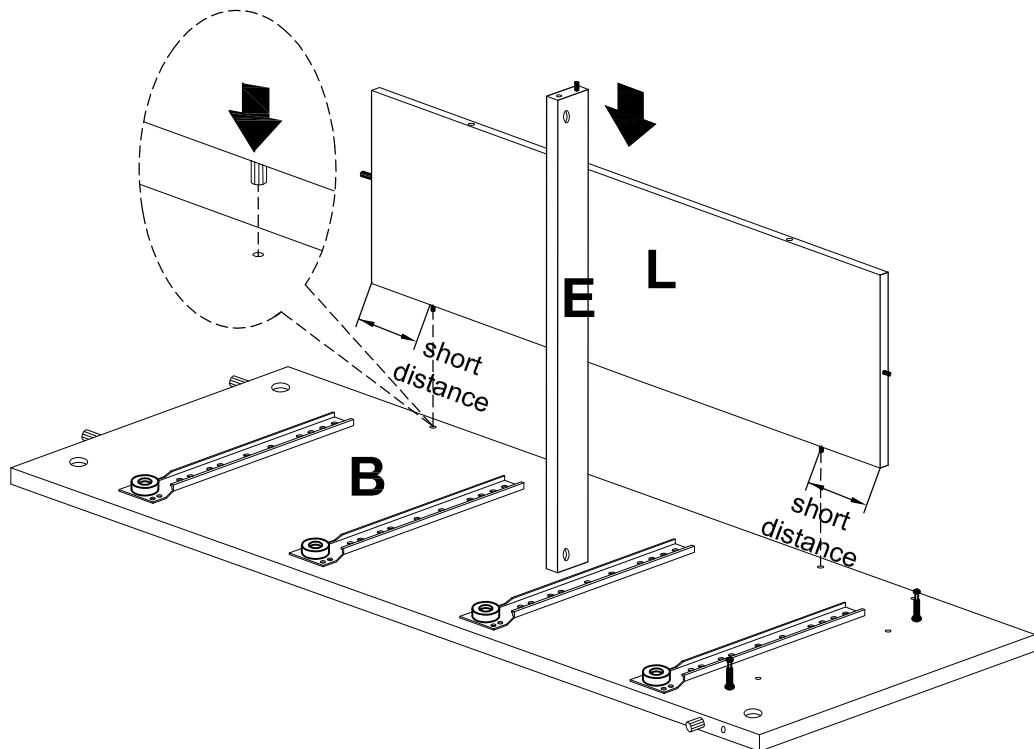


**5.1)** Attach Centre Support (E) to the Left Side Panel (B) .

**5.2)** Insert Large Cam-locks (1) into the mounting positions on Centre Support (E) and turn clockwise to lock onto the cam-bolts using a Screw Driver (10).

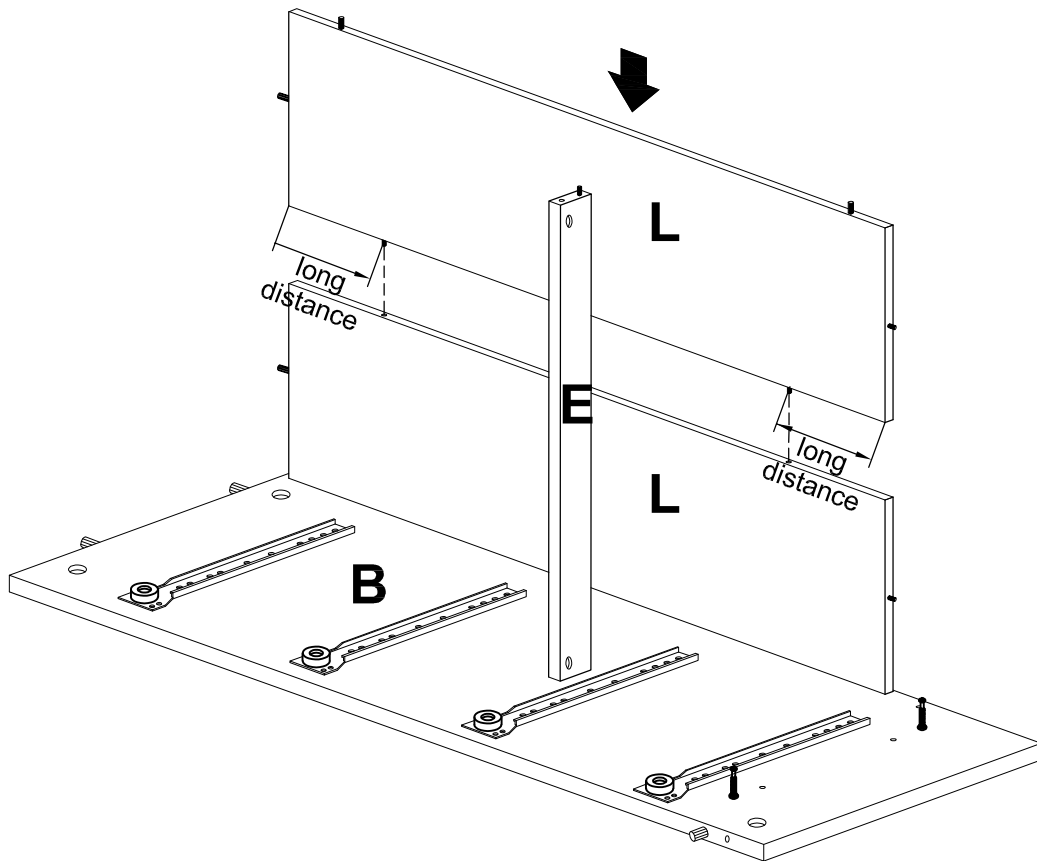
**CAUTION:** Insert the Cam-lock (1) per the correct orientation as indicated in the above picture.

## Step 6



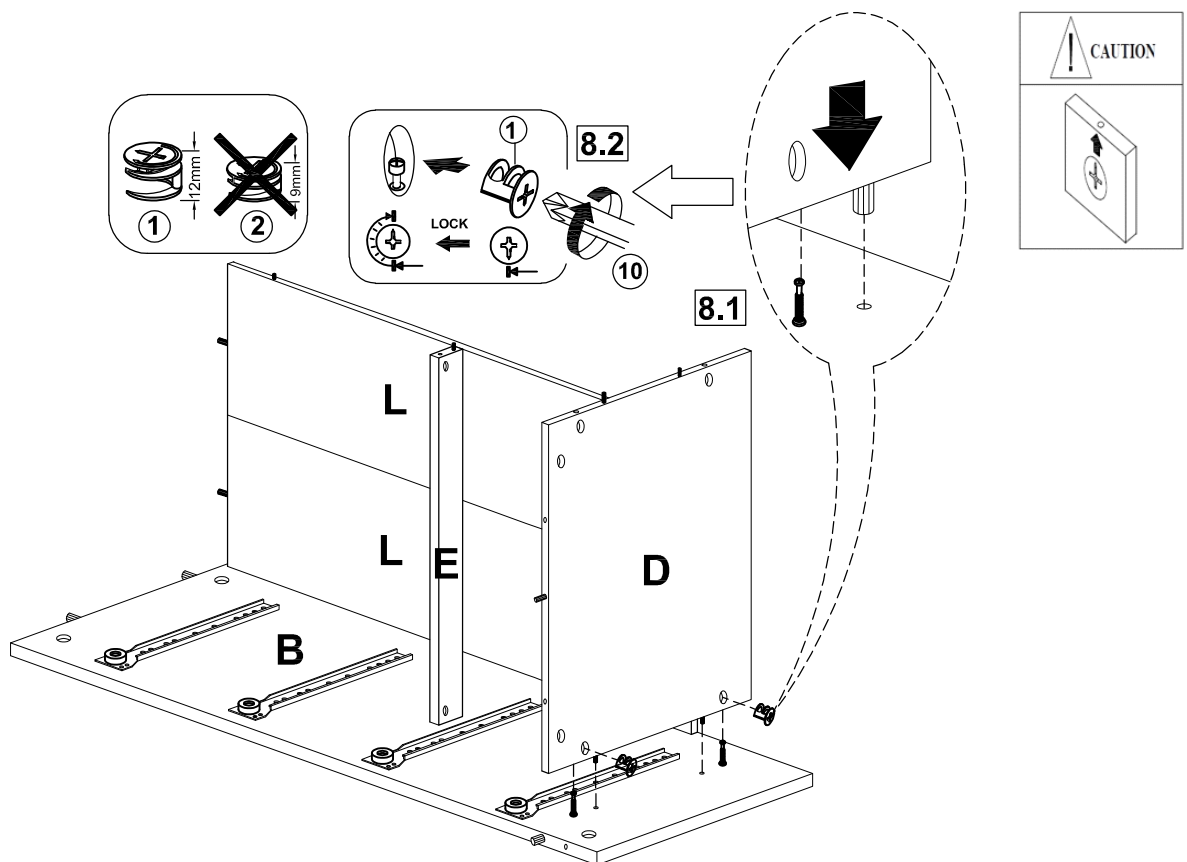
Attach and join Back Panels (L) to the Left Side Panel (B) via the wood dowels into the mounting positions as shown.

## Step 7



Attach and joint Back Panels (L) into the mounting positions via the wood dowels as shown.

## Step 8

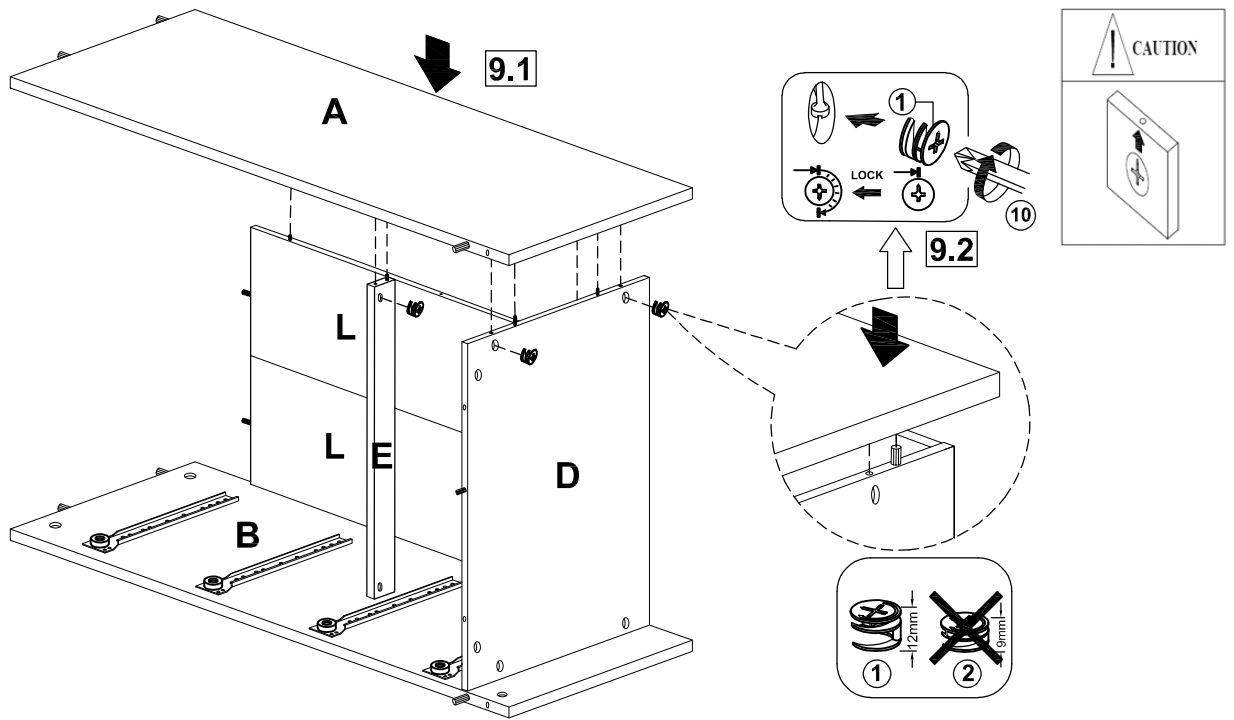


**8.1** Attach and adjust Bottom Panel (D) to the Left Side Panel (B) & Back Panel (L).

**8.2** Insert Large Cam-locks (1) into the mounting positions on the Bottom Panel (D) and turn clockwise to lock onto the cam-bolts using a Screw Driver (10).

**CAUTION:** Insert the Cam-lock (1) per the correct orientation as indicated in the above picture.

## Step 9

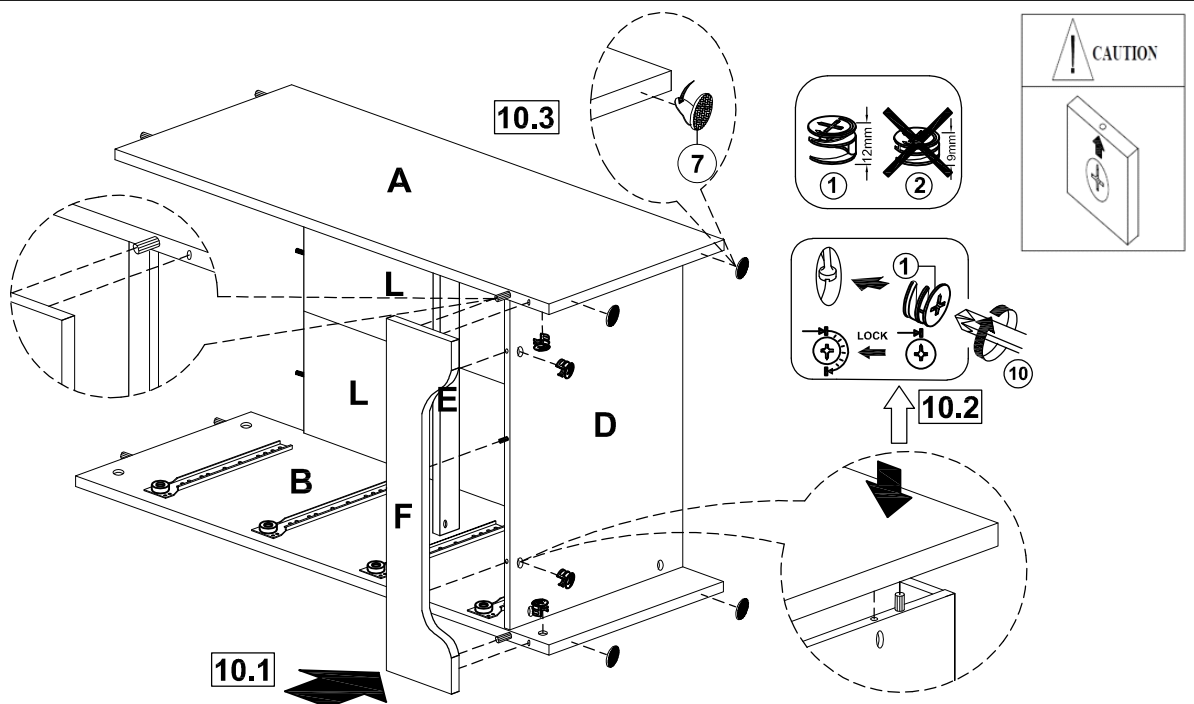


**9.1)** Attach Right Side Panel (A) to Back Panel (L), Bottom Panel (D) & Centre Support (E) via the dowels and the Cam-bolts .

**9.2)** Insert Large Cam-locks ( ① ) into the mounting positions on the Bottom Panel (D) and Centre Support (E) and turn clockwise to lock onto the cam-bolts using a Screw Driver ( ⑩ ).

**CAUTION:** Insert the Cam-lock ( ① ) per the correct orientation as indicated in the above picture.

## Step 10

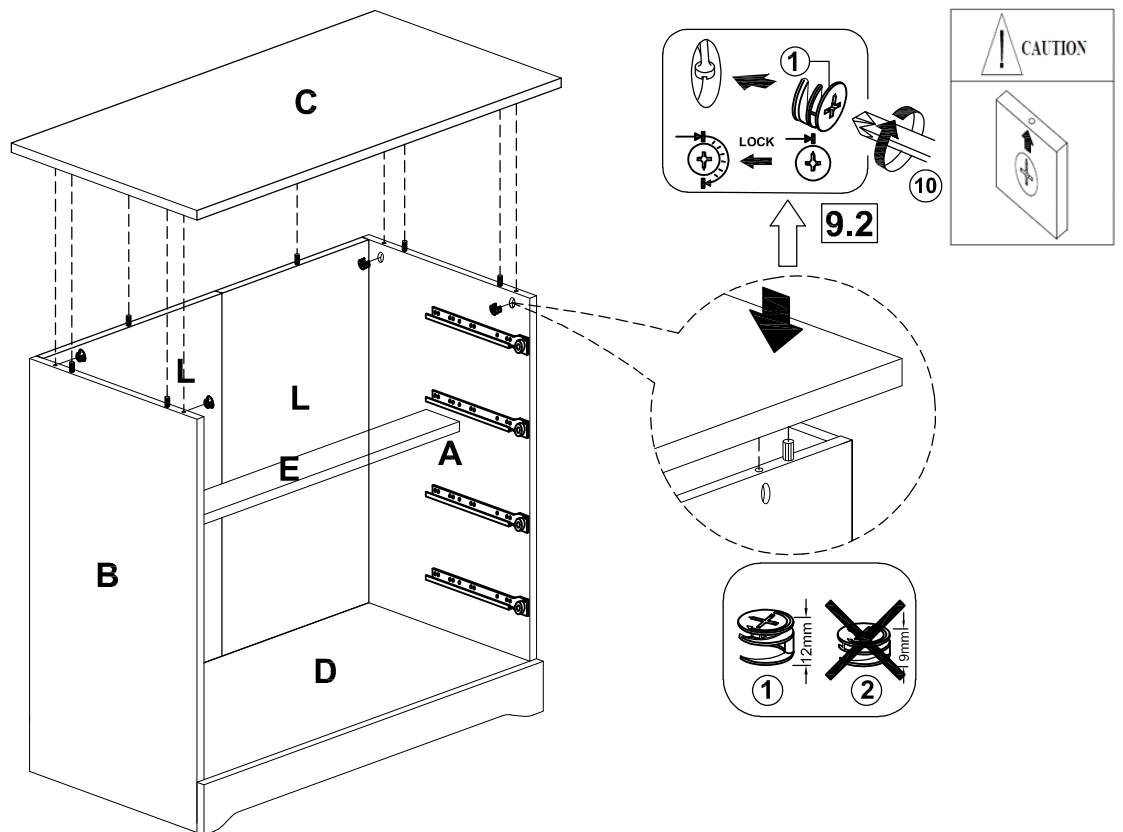


**10.1)** Attach Crossbar (F) to Right Side Panel (A), Bottom Panel (D) & Left Side Panel (B) via the dowels and the Cam-bolts .

**10.2)** Insert Large Cam-locks ( ① ) into the mounting positions on the Right Side Panel (A), Bottom Panel (D) & Left Side Panel (B) and turn clockwise to lock onto the cam-bolts using a Screw Driver ( ⑩ ).

**10.3)** Paste a Leveler ( ⑦ ) on the bottom side of Right Side Panel (A) & Left Side Panel (B).  
**CAUTION:** Insert the Cam-lock ( ① ) per the correct orientation as indicated in the above picture.

## Step 11

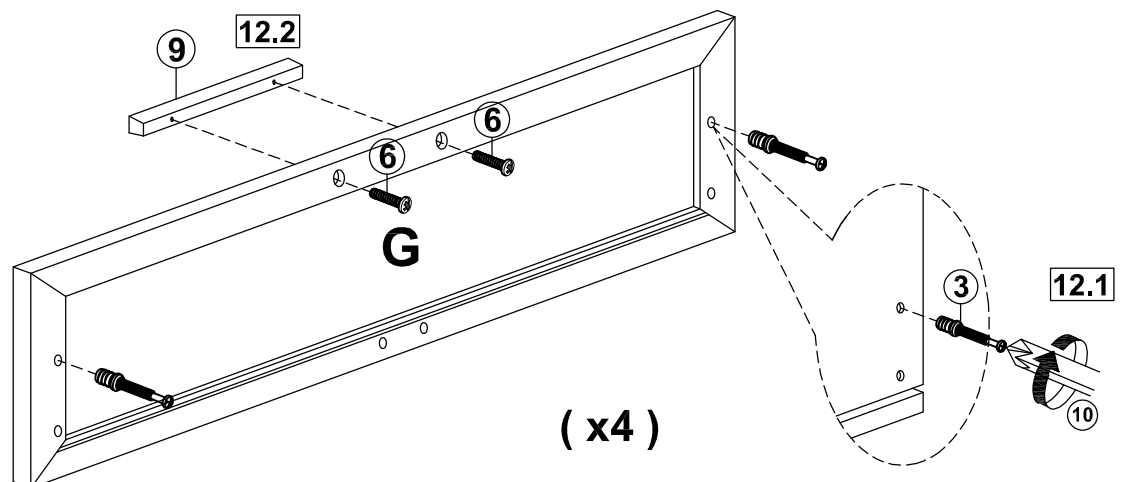


**11.1)** Attach Top Panel (C) to Right Side Panel (A), Left Side Panel (B) & Back Panel (L) via the wood dowels and the Cam-bolts .

**11.2)** Insert Cam-locks (1) into the mounting positions on Right Side Panel (A) and Left Side Panel (B) and turn clockwise to lock onto the cam-bolts using a Screw Driver (10).

**CAUTION:** Insert the Cam-lock (1) per the correct orientation as indicated in the above picture.

## Step 12

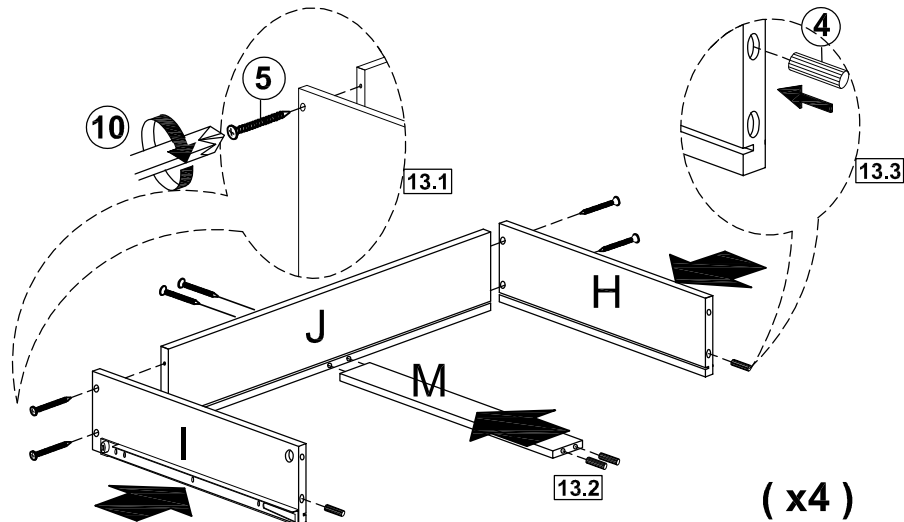


**12.1)** Use a Screw Driver (10) to screw Cam Bolts (3) into the mounting positions on the inside face of Drawer Front (G) as shown.

Note : It is easier to screw in Cam Bolts with the Drawer Front laid flat down - take care not to scratch or damage the front face of the Drawer Front panel.

**12.2)** Position Handle (9) vertically as shown. Align the mounting positions of the Handle to the bolt holes on Drawer Front (G). Insert Pan Head Bolts (6) through the bolt holes on Drawer Front (G) to thread into the bolt holes on the Handles (9). Use a Screw Driver (10) to screw in the Pan Head Bolts - do not tighten the bolts fully until both bolts are in place.

## Step 13



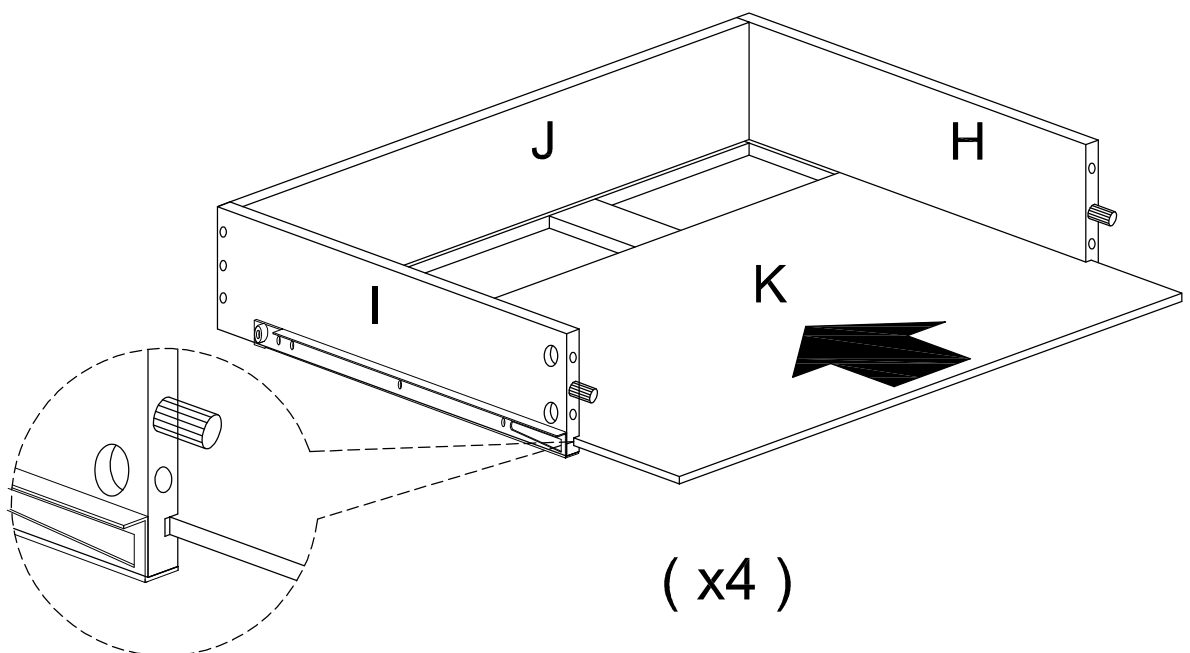
**13.1)** Attach Drawer Right Panel (H) & Drawer Left Panel (I) to Drawer Back Panel (J) as shown-note the grooves on each panel are at the bottom. Use Flat Head Screws (5) to fasten side panels to back panel.

Do not tighten screws completely until all screws are in place in each panel.

**13.2)** Align the mounting positions on Drawer Bottom Support (M) to the screw holes on Drawer Back Panel (J) and use Flat Head Screws (5) to fasten Drawer Bottom Support (M) to Drawer Back Panel (J).

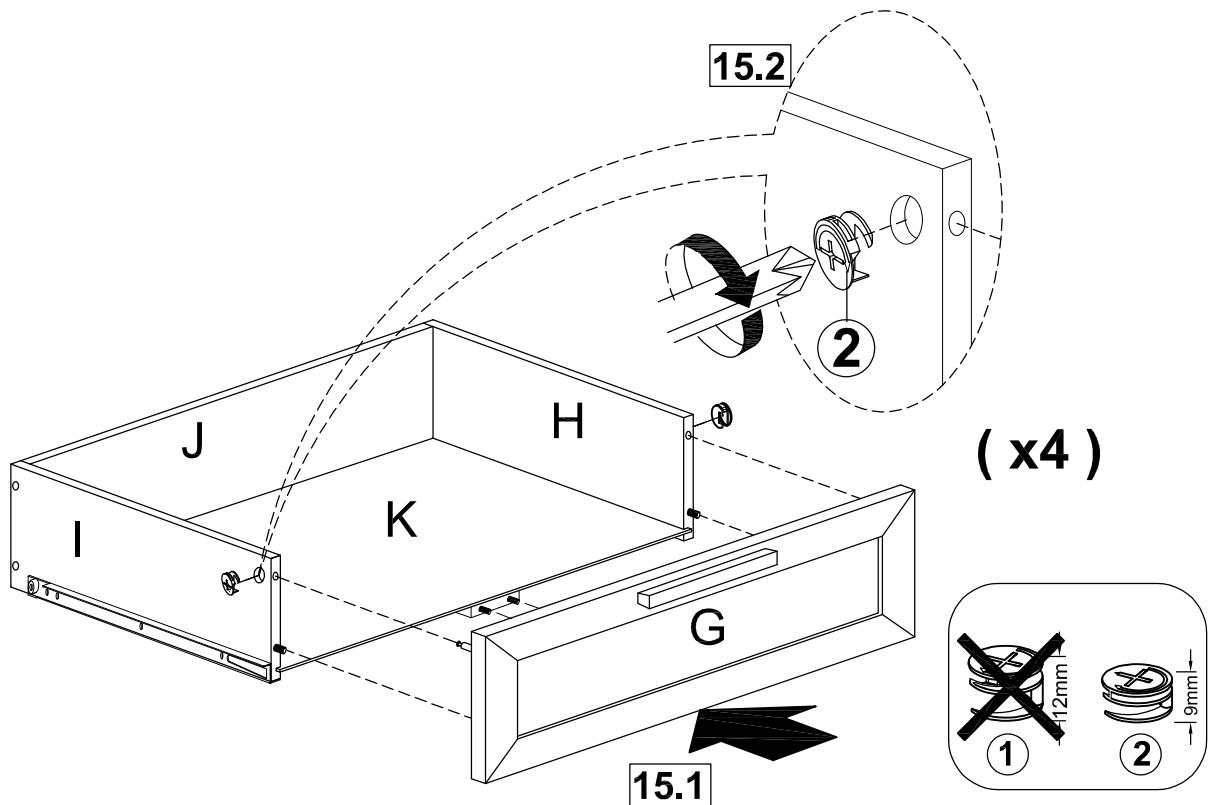
**13.3)** Insert Wood Dowels (4) into the mounting positions on the front edges of Drawer Right Panel (H), Drawer Left Panel (I) and Drawer Bottom Support (M).

## Step 14



Slide the Drawer Base (K) into the grooves on Drawer Right Panel (H), Drawer Back Panel (J) and Drawer Left Panel (I).

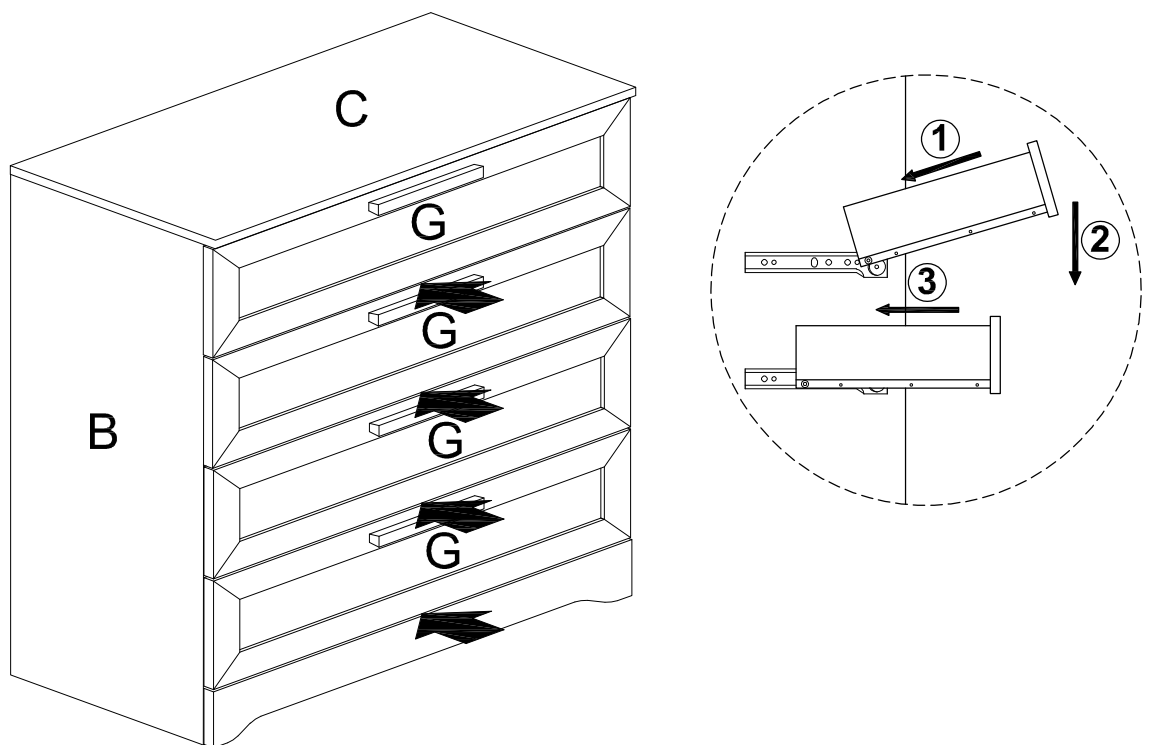
## Step 15



**15.1)** Attach Drawer Front (G) to Drawer Right Panel (H), Drawer Left Panel (I) & Drawer Bottom Support (M) via the cam-bolts and the wood dowels on the respective parts. Check that the front edge of Drawer Base (K) fits into the groove on Drawer Front (G) .

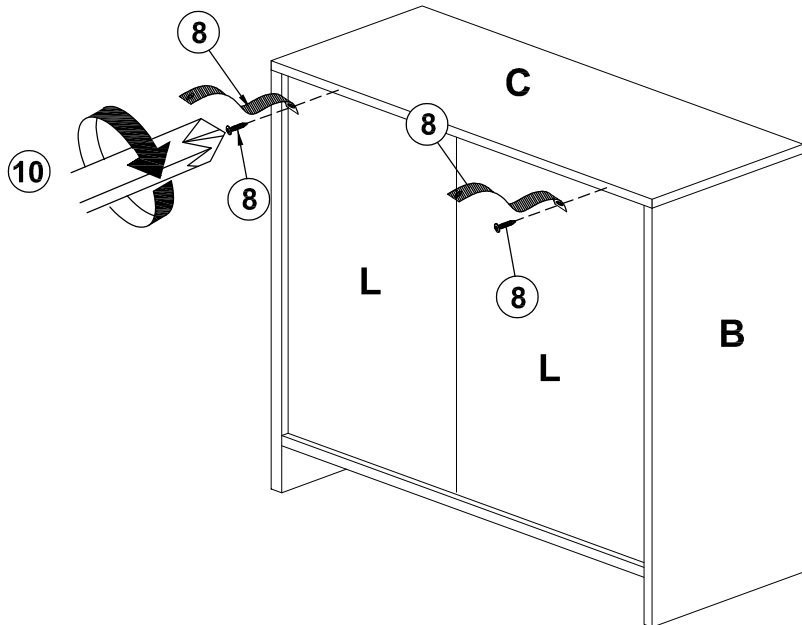
**15.2)** Insert Small Cam-locks (2) into the mounting positions on Drawer Right Panel (H) and Drawer Left Panel (I) and turn clockwise to lock onto the cam-bolts.

## Step 16



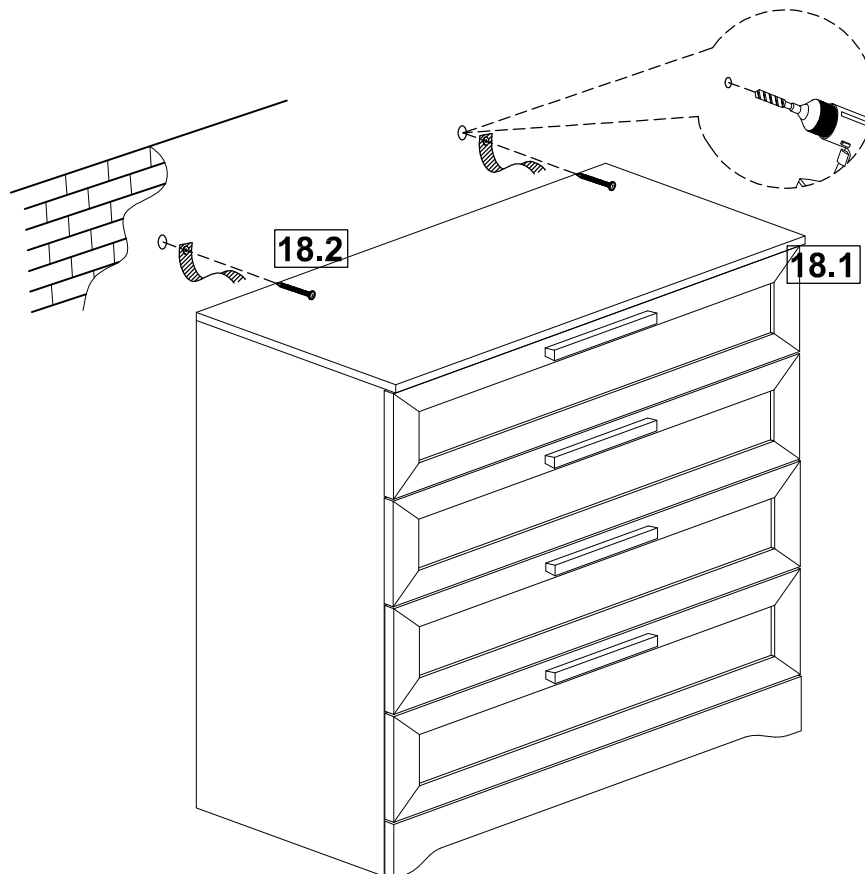
Place the Drawers into the Chest assembly by aligning the rails.

## Step 17



Insert screws through Straps (8) at the marked sticker areas on the back side edges of Top Panel (C) and drive in the screws using Screw Driver (10).

## Step 18



**18.1)** Drill holes into the wall and insert the wall anchors / Rawl plugs.

**18.2)** Insert the screws through straps and drive the screws into the wall anchors / Rawl Plugs.

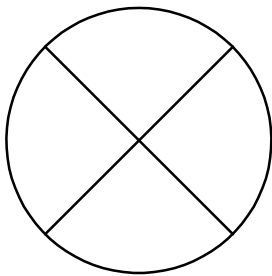
**NOTE :** Wall fixings are not supplied with this product as different wall materials require different types of fixing devices (such as Rawl plugs on brick work). You must use fixing devices suitable for the type of wall you intend to mount this product to. Please ensure that the head of any screw used has a diameter greater than the diameter of the mounting hole on the Anti Tip-Strap and that the fixing is safe and secure before use.

The screws supplied are to affix the Anti Tip-Strap to the cabinet.

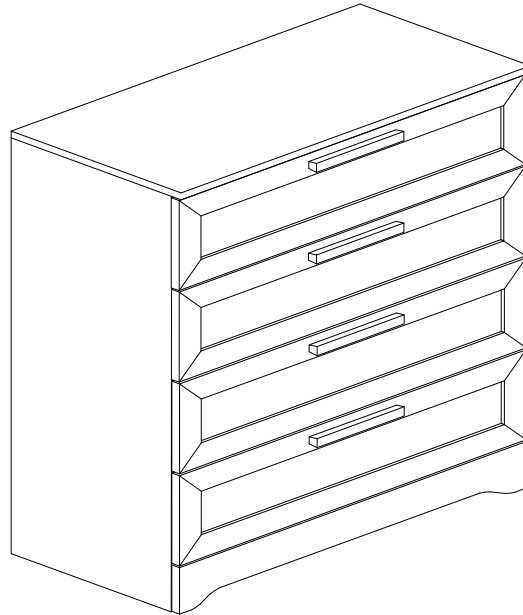


## WARNING

Serious or fatal crushing injuries can occur from tipping furniture.  
To help prevent tip-over: **ALWAYS** secure this furniture to the wall using  
Cabinet Restraint Device.  
See product instructions for more ways to help prevent furniture tip-over.



## Step 19



Your Chest is ready for use.

## Care & Maintenance



- Furniture may scratch floors. We recommend using furniture pads to protect your floors.



- Do not put hot items directly on furniture surface.



- Do not clean furniture with harsh cleansers or polish.



- Do not place furniture under direct sunlight.



- Do not place furniture near heating or cooling vents.



- Do not write on furniture without a padded barrier to protect the surface.



- Do not place furniture outside . For indoor use only.



- Not for commercial use. For residential use only.



- Stains may be removed with mild soap solution and damp cloth.



- Children should not climb or jump on the furniture.



- Dust and pick-up spills using a clean, non-colored, lint-free cloth.