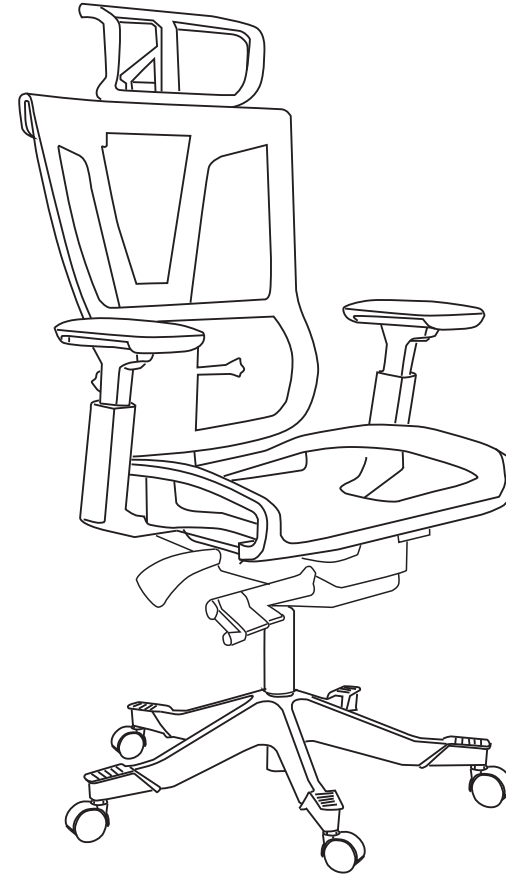


WARNING

FAILURE TO FOLLOW THESE INSTRUCTIONS MAY RESULT IN SERIOUS INJURY

1. THIS PRODUCT IS DESIGNED FOR SEATING ONLY. DO NOT STAND ON THIS PRODUCT. DO NOT USE IT AS A STEP LADDER
2. DO NOT USE THIS PRODUCT UNLESS ALL BOLTS AND PARTS ARE FIRMLY TIGHTENED. AT LEAST WITHIN 3 MONTHS, YOU HAVE TO CHECK ALL THE PARTS FOR SAFETY USE.
3. IF ANY PARTS ARE MISSING, DAMAGED OR WORN, STOP USING THIS PRODUCT, REPAIR THE PRODUCT WITH MANUFACTURER'S SUPPLIED PARTS.
4. DO NOT SIT ON THE ARMREST OF THIS PRODUCT.
5. THIS PRODUCT IS DESIGNED FOR SITTING ONE PERSON AT A TIME.
6. CHILDREN UNDER THE AGE OF 10, PLEASE USE UNDER ADULT SUPERVISION.

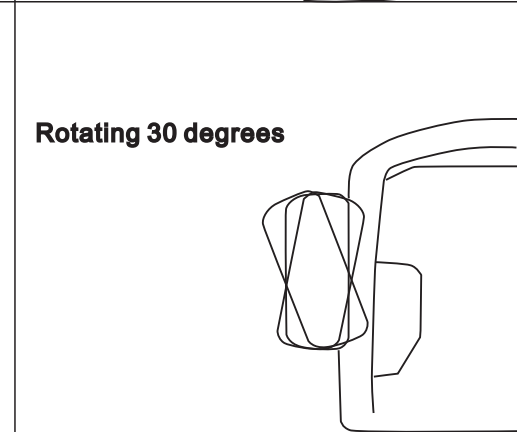
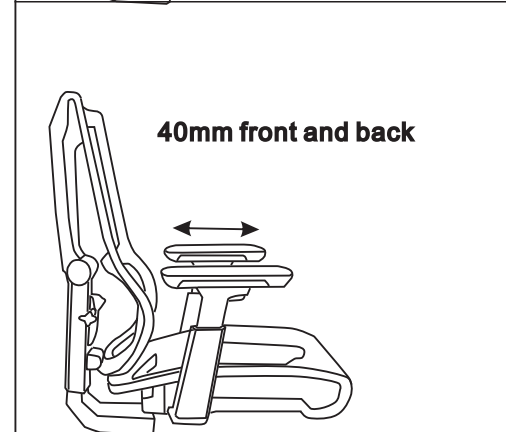
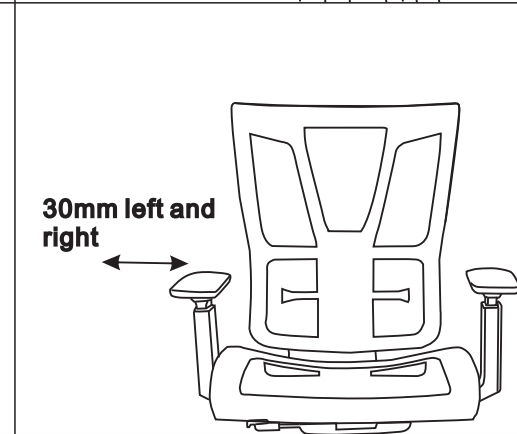
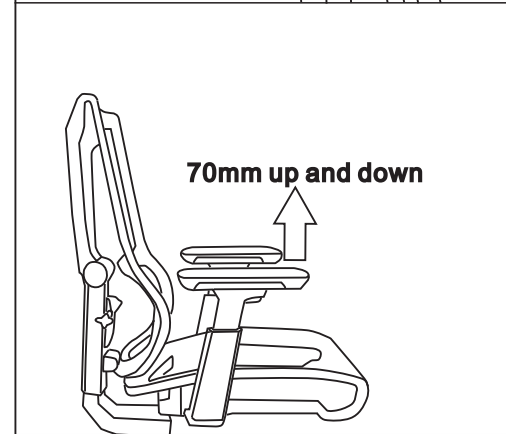
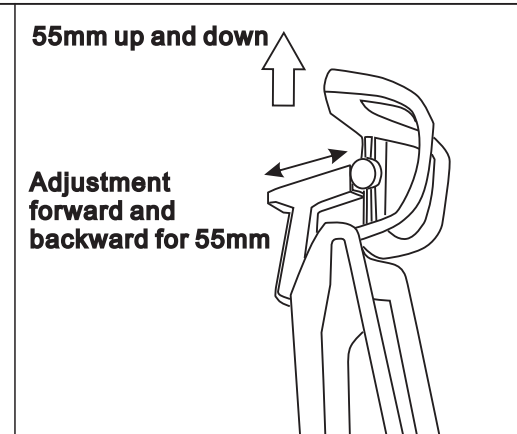
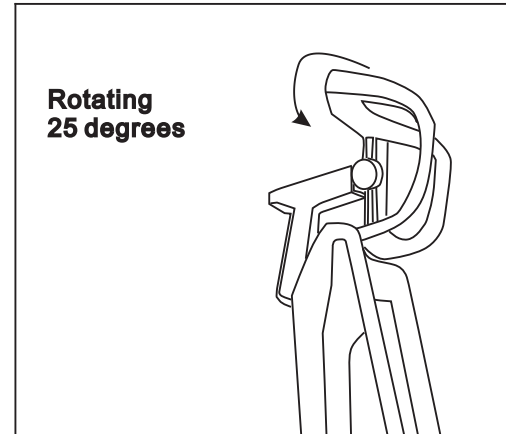




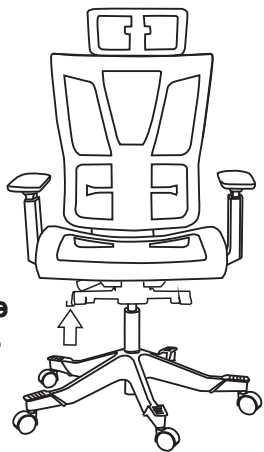
PART LIST

A*1 	B*1 	C*1 	D*5
E*1 	F*1 	G*1 	H*1

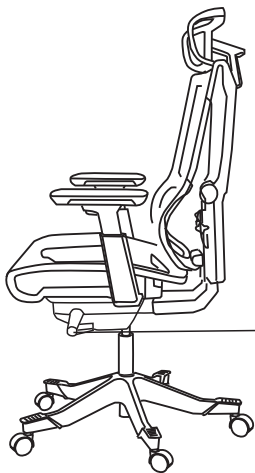
I*3 (M8*55) 	N*3 (M8*22*2)
J*4 (M8*40) 	O*3 (M8)
K*6 (M8*25) 	P*10 (M8)
L*1 	Q*2
M*10 (M8*18*1.5) 	



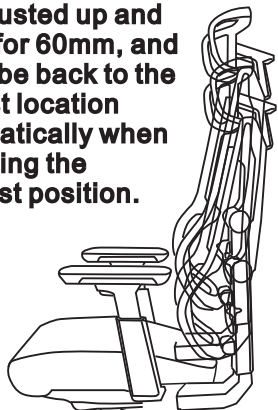
Pull the handle up to adjust the seat height.



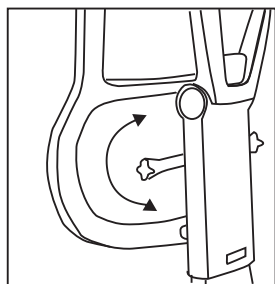
This handle controls angle of the back of the chair.



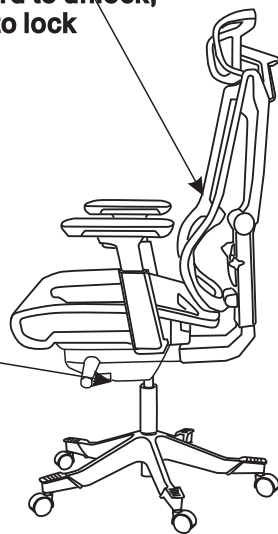
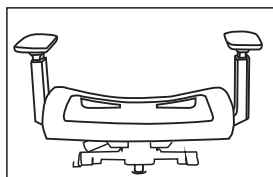
The backrest can be adjusted up and down for 60mm, and it will be back to the lowest location automatically when reaching the highest position.



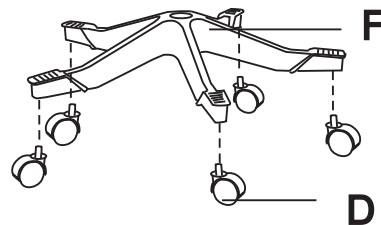
Rotate backward to unlock, rotate forward to lock



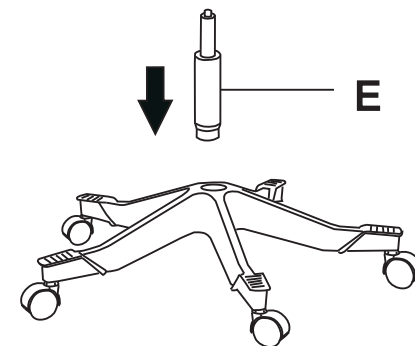
60mm front and back
Pushing the handle up allows the seat cushion to move forward up to 60mm. Release the handle and the seat is locked.



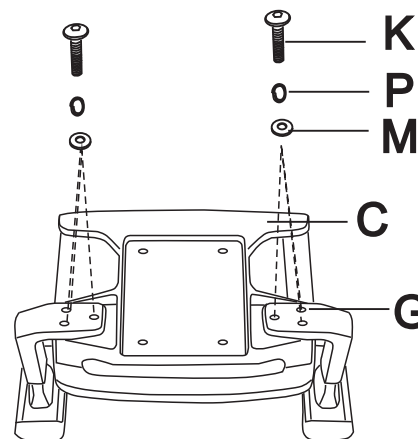
1



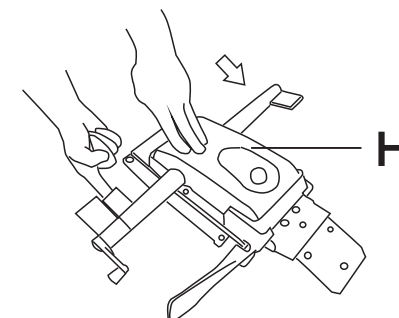
2



3

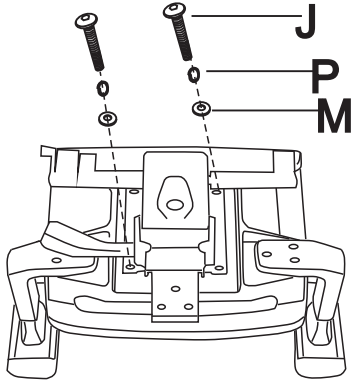


Push the handle and the mechanism to the end following the arrow direction at the same time, so the screw holes appear.



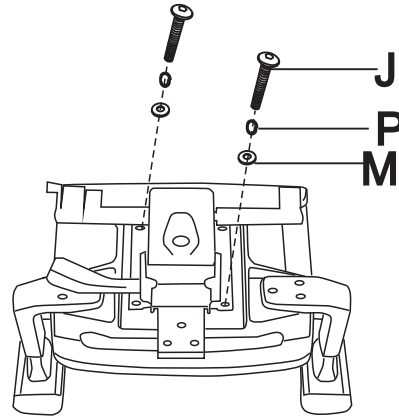
4

Keep the holes in the metal bar in line with the plywood before assembling the back, then tighten the screws that are diagonal to each other halfway.

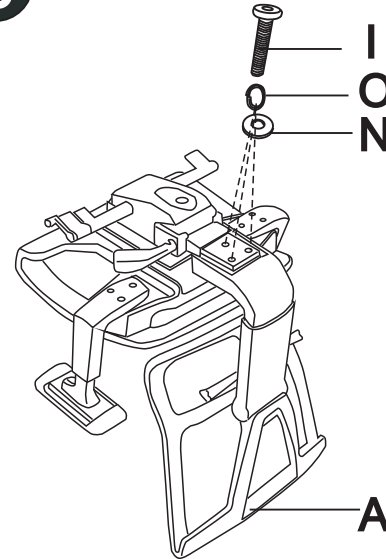


5

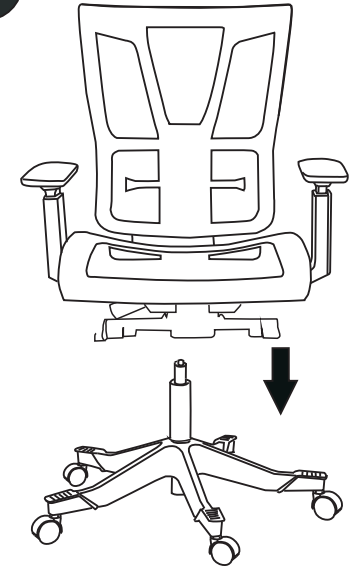
Tighten another two screws in the metal bar.



6

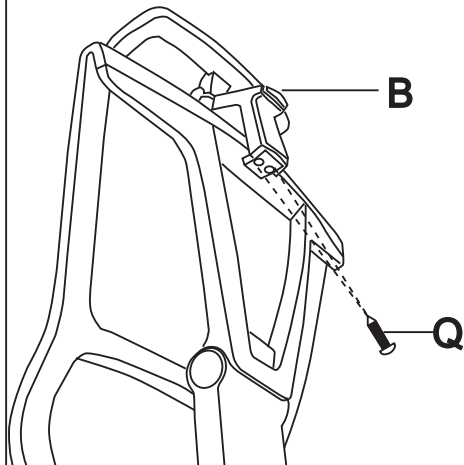


7

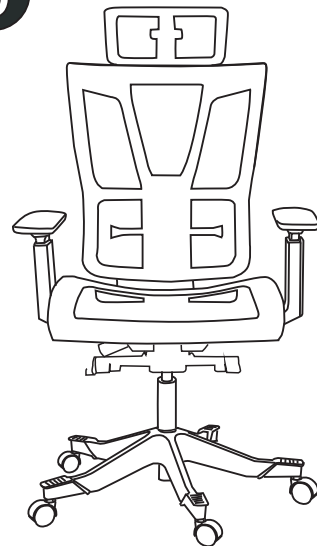


8

This step is only for the chair with headrest



9



10

Lift up the handle to adjust the seat tilt

Rotate the handle to adjust the strength of back tilt tension

