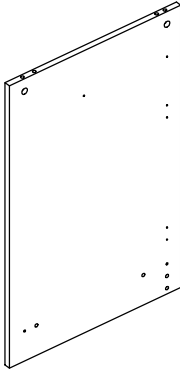
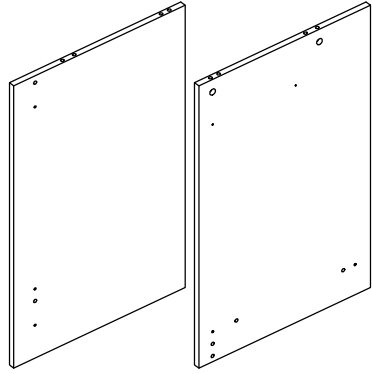


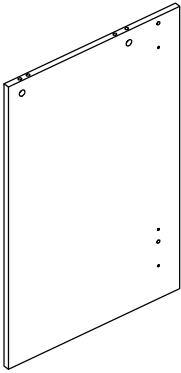
Ax1



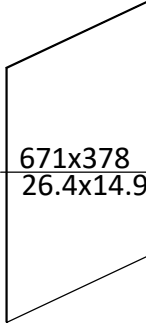
Bx1



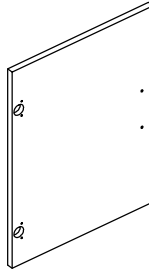
Cx1



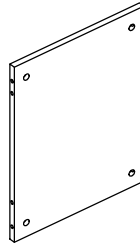
Dx1



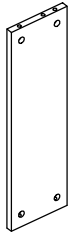
Ex1



Fx1



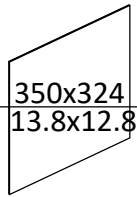
Gx1



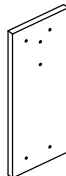
Hx1



Ix1



Jx1



Kx1



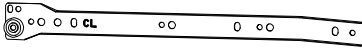
Lx1



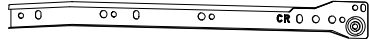
Mx2



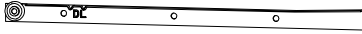
Nx1



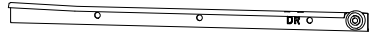
CLx1



CRx1



DLx1



DRx1



Ox18



Px24



Qx24



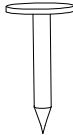
Rx12
M3.5x $\frac{12}{0.5}$



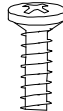
Sx1



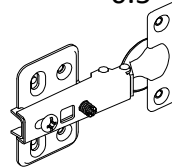
Tx12
M3.5x $\frac{15}{0.6}$



Ux36



Vx4



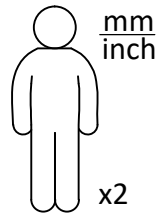
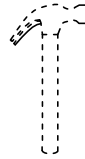
Wx12



Xx1



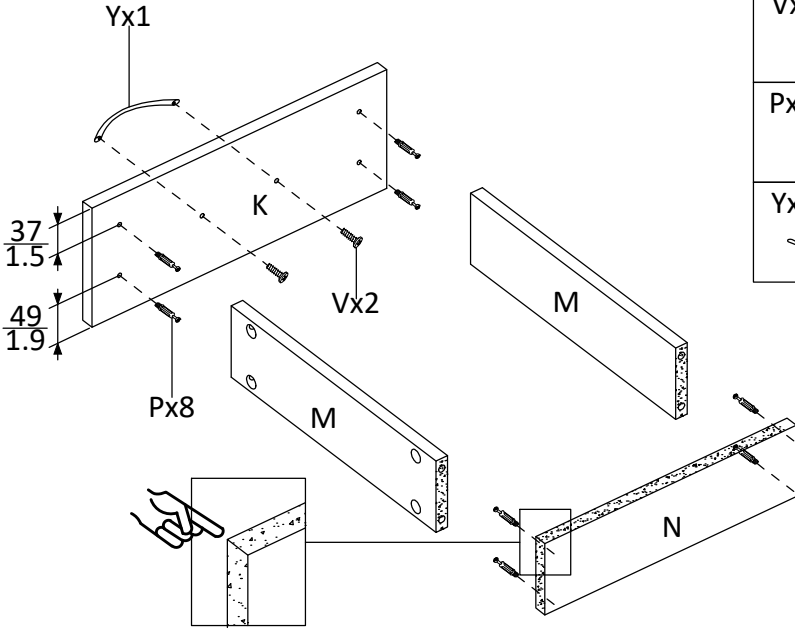
Yx2



mm
inch

x2

①



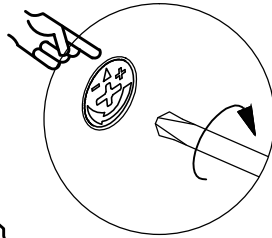
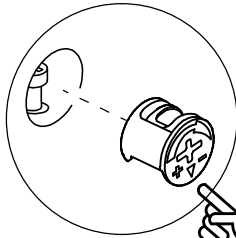
Vx2



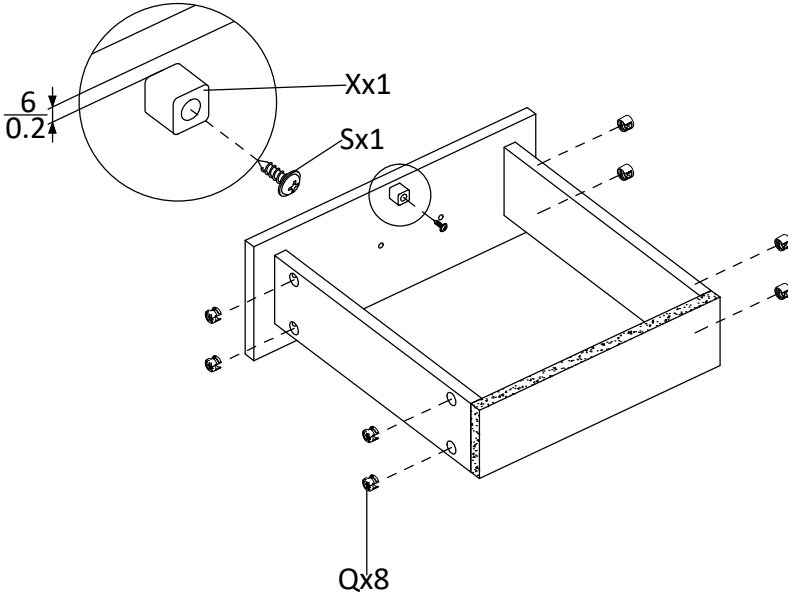
Px8



Yx1



②



Qx8



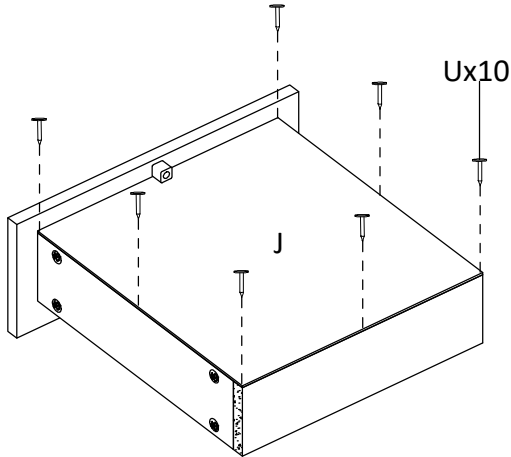
Xx1



Sx1



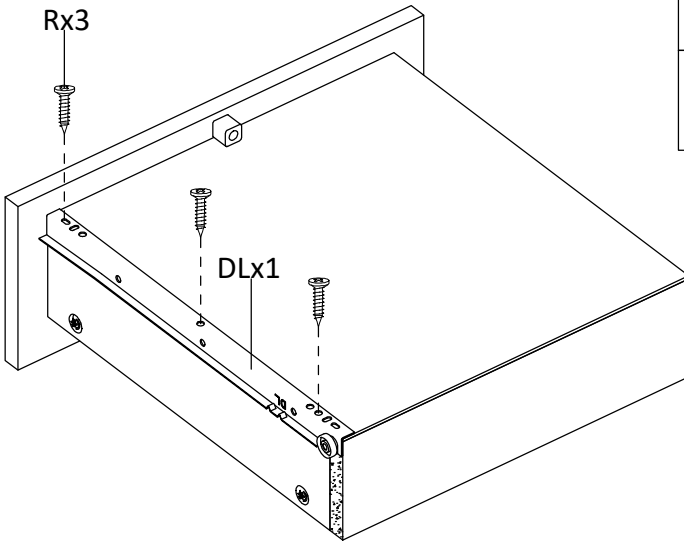
③



Ux10



4



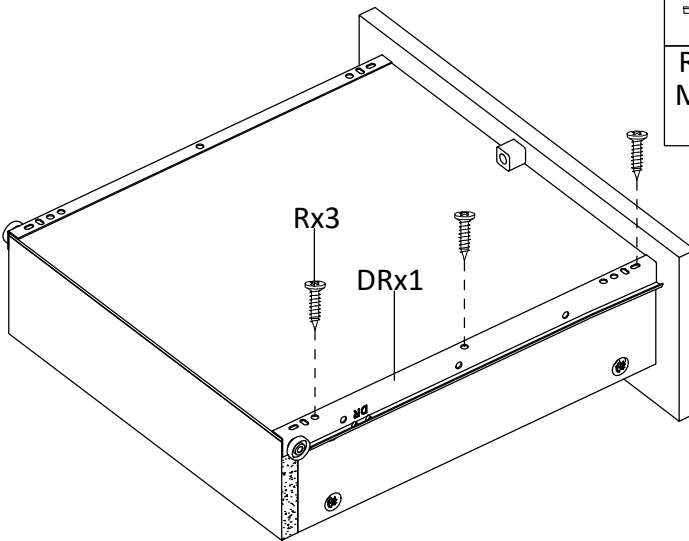
DLx1



Rx3 $\frac{12}{M3.5 \times 0.5}$



5



DRx1

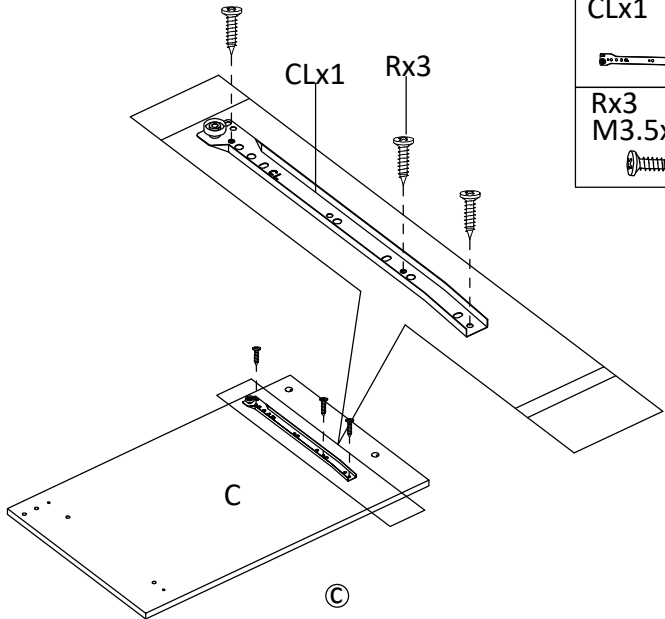


Rx3 $\frac{12}{M3.5 \times 0.5}$



(k)

6



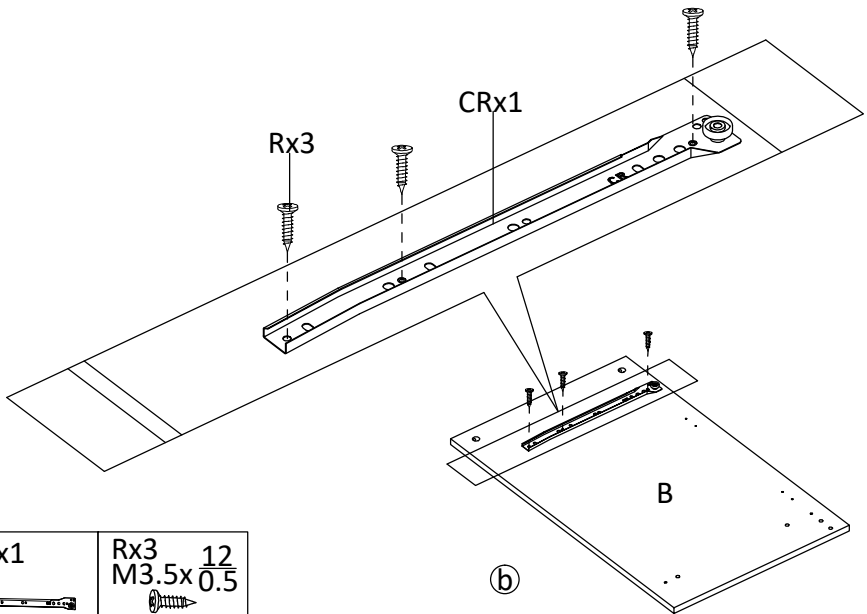
CLx1



Rx3 $\frac{12}{M3.5 \times 0.5}$



7



CRx1

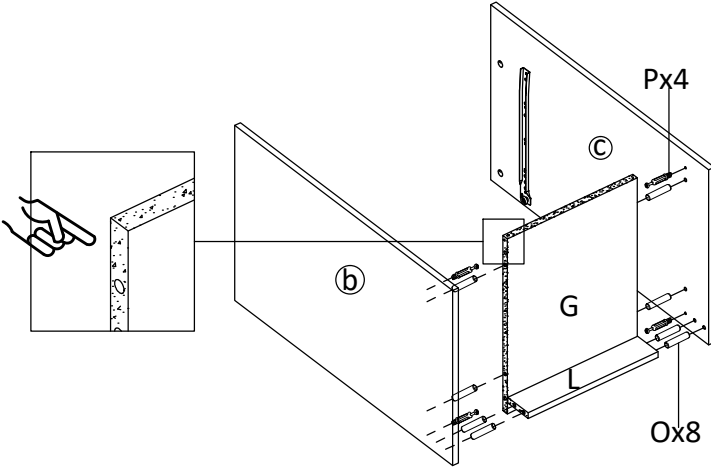


Rx3 $\frac{12}{M3.5 \times 0.5}$



b

8



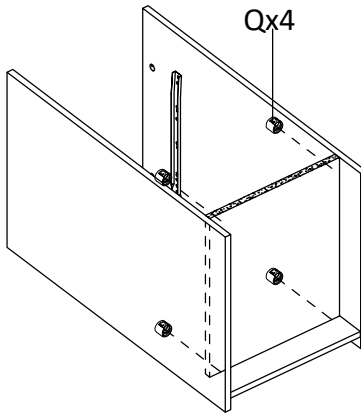
Ox8



Px4



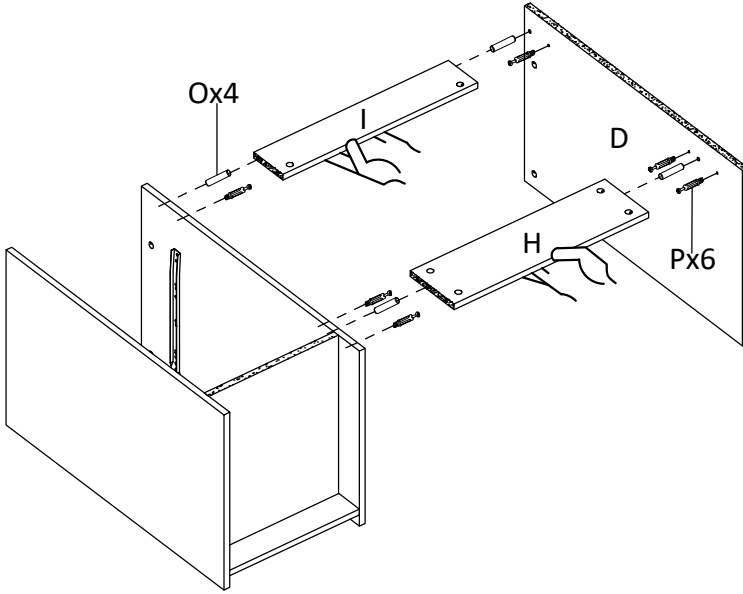
9



Qx4



10



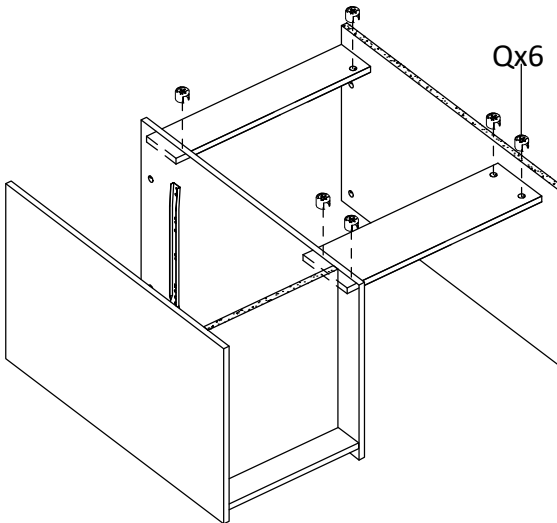
Ox4



Px6



11



Qx6

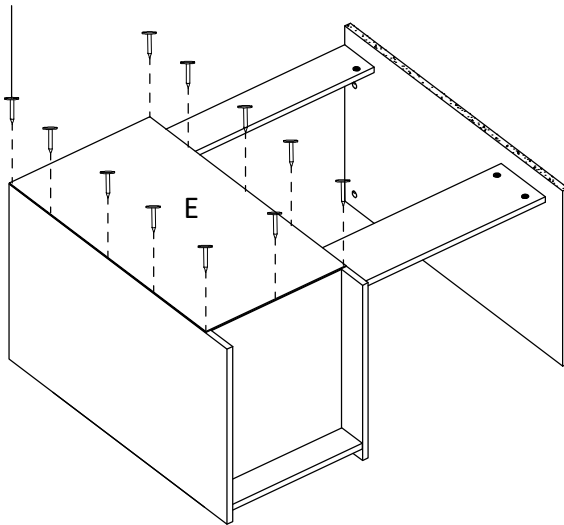


12

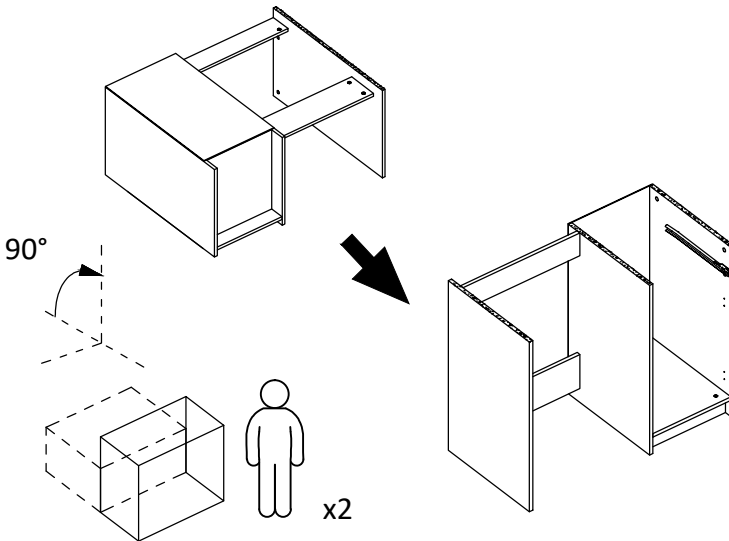
Ux26



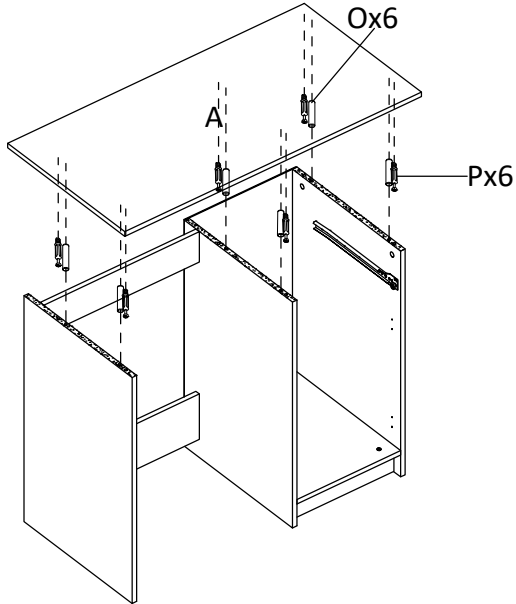
Ux26



13



14



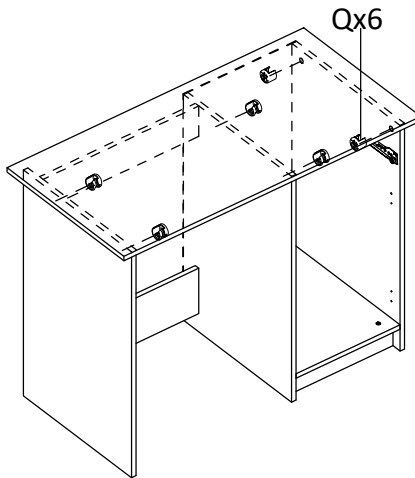
Ox6



Px6



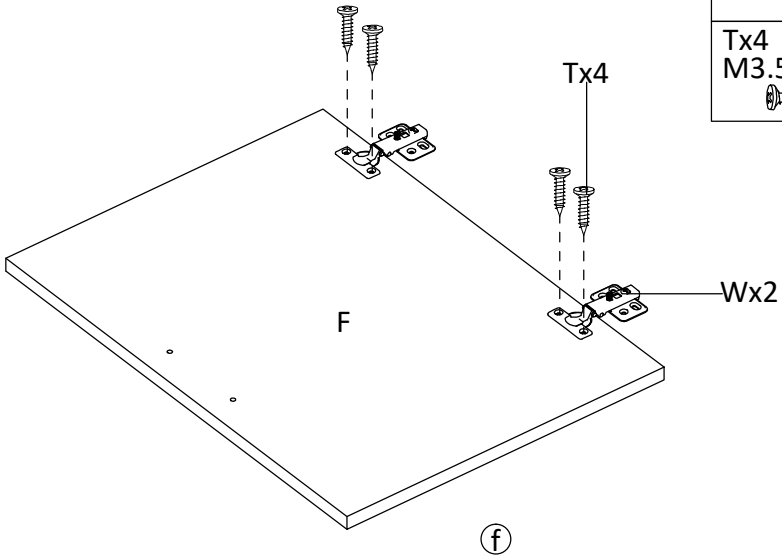
15



Qx6



16



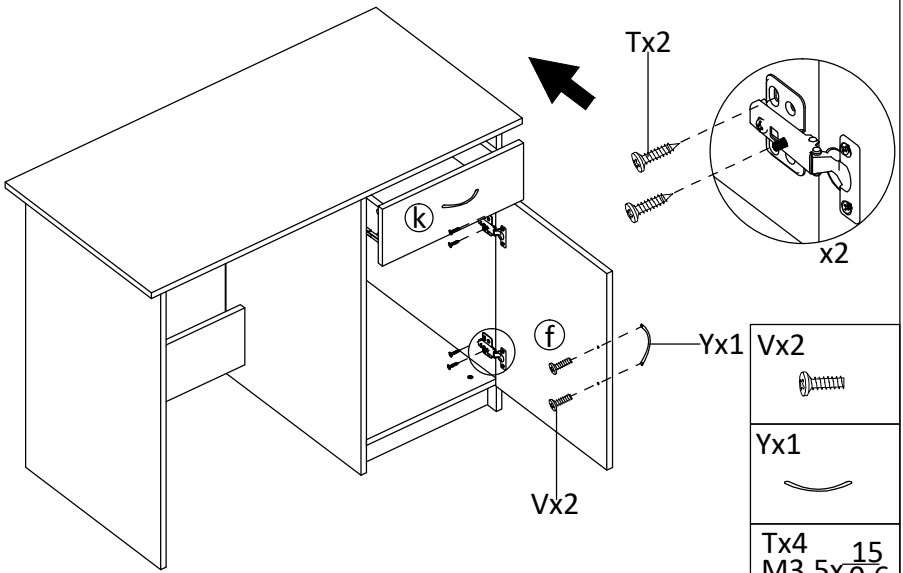
Wx2



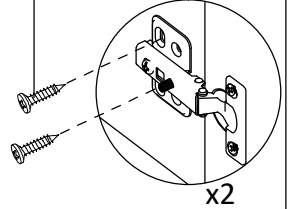
Tx4 15
M3.5x0.6



17



Tx2



x2

Yx1

Vx2



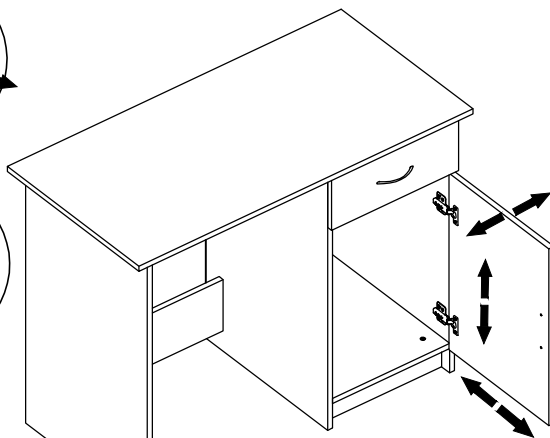
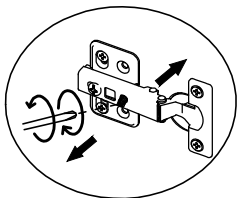
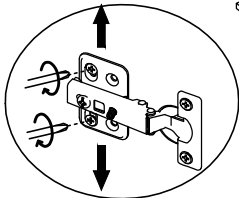
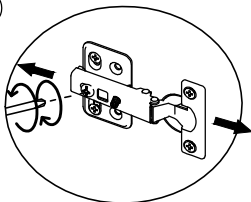
Yx1



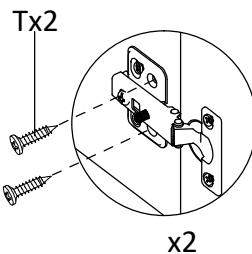
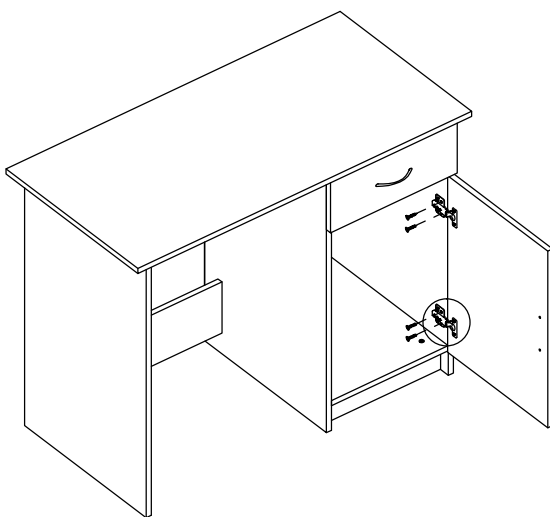
Tx4 15
M3.5x0.6



18



19



Tx4 15
M3.5x0.6
