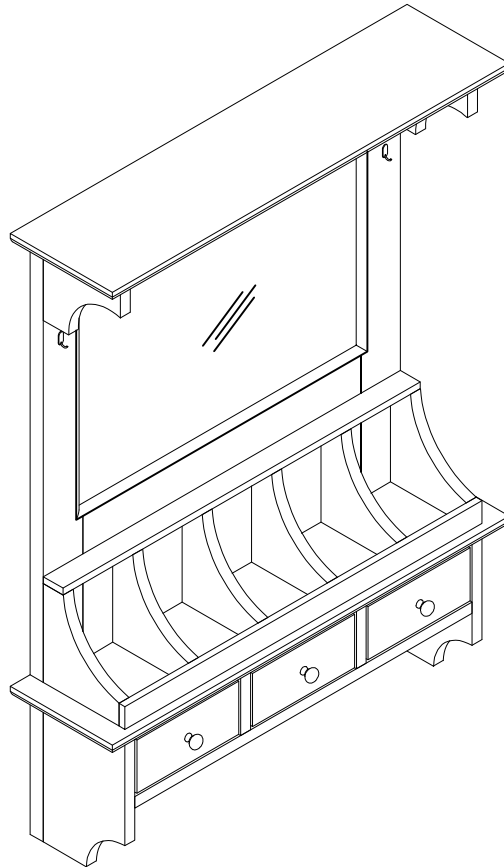


DRESSING TABLE

Assembly Instructions - Please keep for future reference



Dimensions 's Table

Width-23.75 inch

Depth-6 inch

Height-31.75 inch

Important - Please read these instructions fully before starting assembly

Issue 1 - 01/04/25



Safety and Care Advice

Important – Please read these instructions fully before starting assembly

- Check you have all the components and tools listed on the following pages.
- Remove all fittings from the plastic bags and separate them into their groups.
- Keep children and animals away from the work area, small parts could choke if swallowed.
- Make sure you have enough space to layout the parts before starting.

- During assembly do not stand or put weight on the product, this could cause damage.
- Assemble the item as close to its final position (in the same room) as possible.
- Assemble on a soft level surface to avoid damaging the unit or your floor.
- Parts of the assembly will be easier with 2 people.



- To reduce the likelihood of damaging your product please ensure that your power drill is set on a low torque setting.

Care and maintenance

- Only clean using a damp cloth and mild detergent, do not use bleach or abrasive cleaners.
- From time to time check that there are no loose screws on this unit.
- This product should not be discarded with household waste. Take to your local authority waste disposal centre.

Handy Hints

- Assemble all parts and bolts loosely during assembly, only once the product is complete should you fully tighten the bolts
- Regularly check and ensure that all bolts and fittings are tightened properly.

WARNING In order to help prevent overturning – please follow these instructions

To help prevent product toppling over please follow the below steps:-


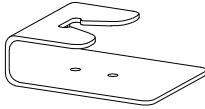
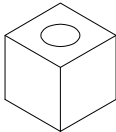
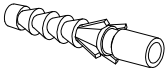
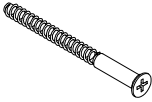
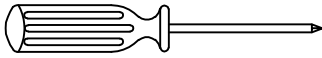
Use the anti tip strap or wall fixing method provided (if applicable)
Do not allow children to climb or hang on the furniture
Do not open more than one drawer at a time
Do not place heavy items in the top drawers
Do not place heavy items on top of the furniture, unless the furniture has been designed for this purpose

Please note that only the anti tip strap is provided.
You will need to provide wall plugs and screws applicable for your wall type

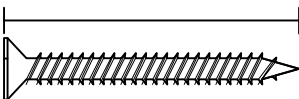
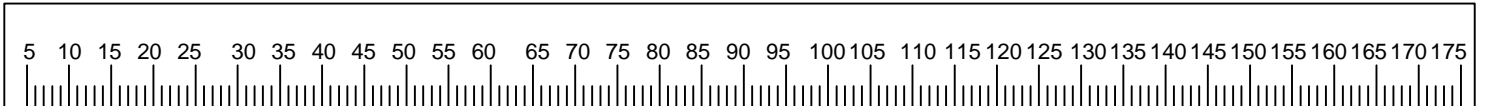
Components - Fittings

Please check you have all the panels listed below

Note: The quantities below are the correct amount to complete the assembly. In some cases more fittings may be supplied than are required.

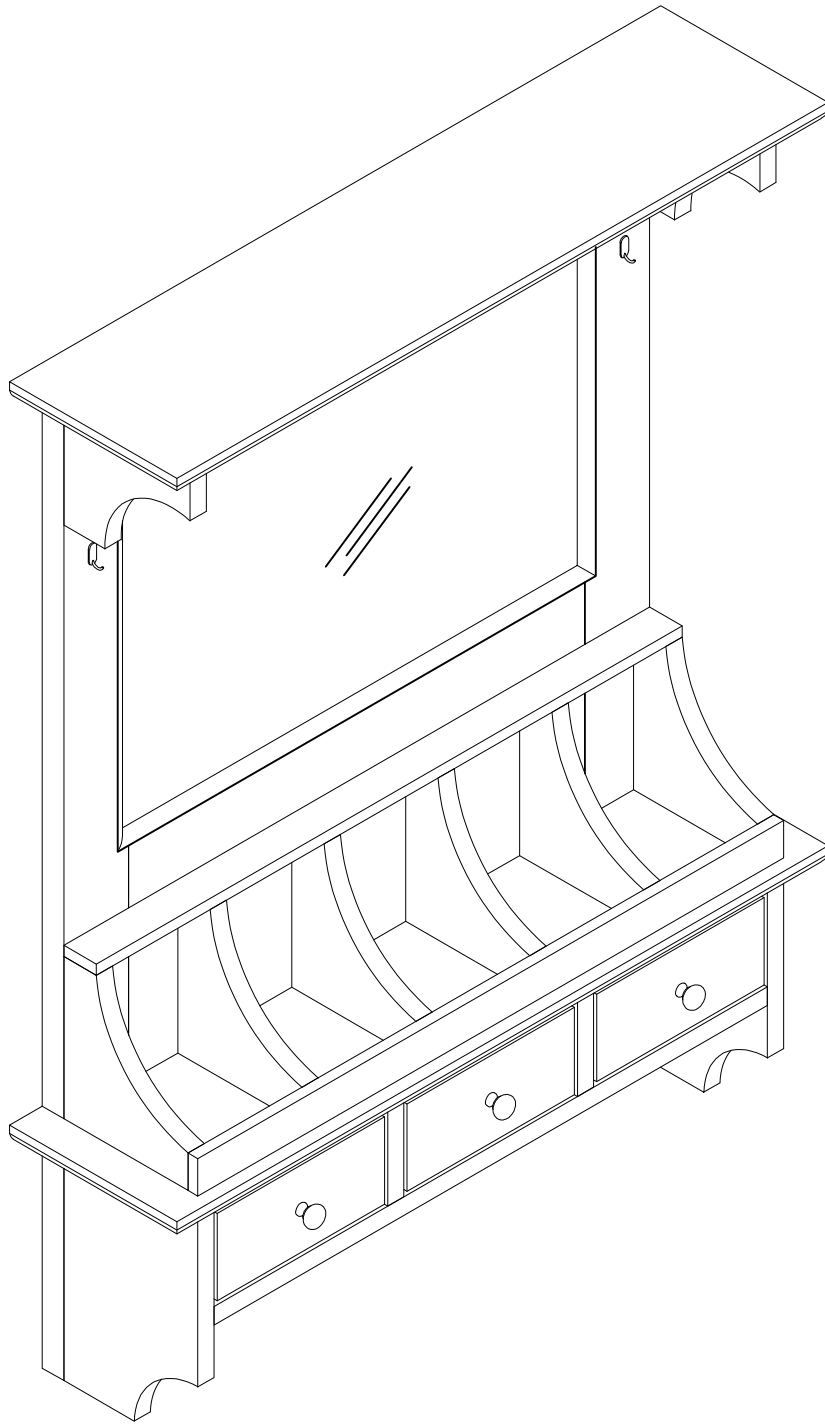
<p>①</p>  <p>#4x20mm Screw x 4pcs</p>	<p>②</p>  <p>Plastic Mirror Hanging Pads x 2pcs</p>
<p>③</p>  <p>Wood Beetle x 2pcs</p>	<p>④</p>  <p>Ecclesiastical Sets x 2pcs (not provided)</p>
<p>⑤</p>  <p>Ecclesiastical Sets x 2pcs (not provided)</p>	<p>⑥</p>  <p>Screw driver (not provided)</p>

Ruler - Use this ruler to help correctly identify the screws



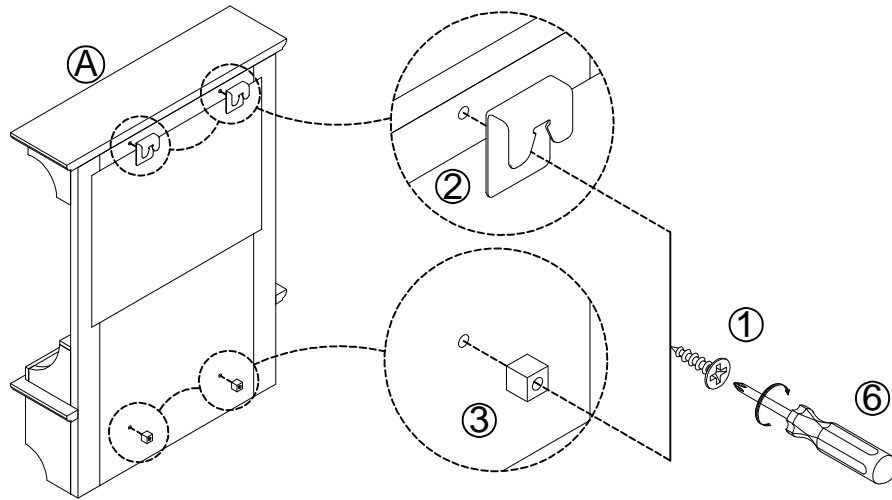
The screws length is measured from the head to the point (40mm screw shown).




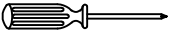
Assembly Instructions



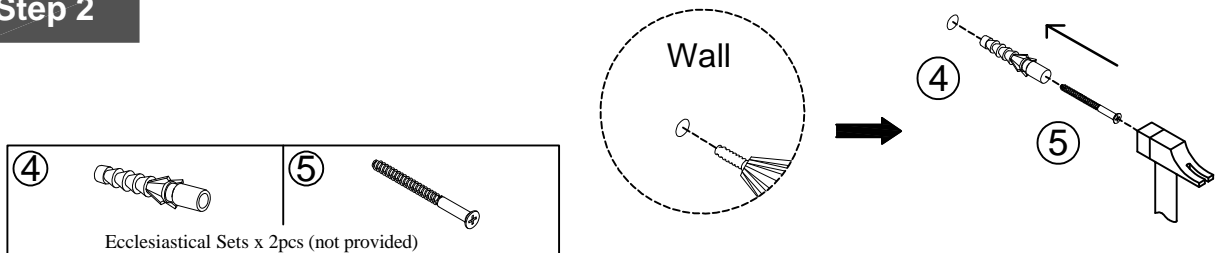
Assembly Instructions

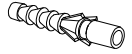

Step 1



 #4x20mm Screw x 4pcs	 Plastic Mirror Hanging Pads x 2pcs	 Wood Beetle x 2pcs	 Screw driver (not provided)
---	---	---	--

Step 2



 Ecclesiastical Sets x 2pcs (not provided)	
--	---

Completed

