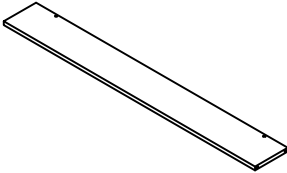
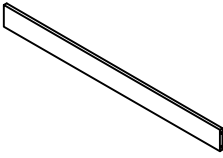
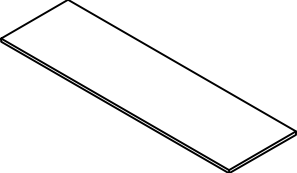
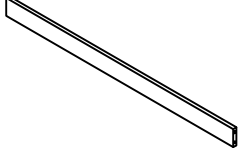

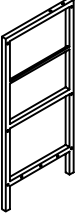
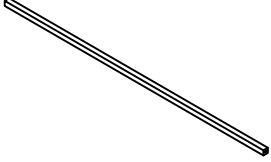
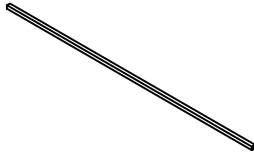
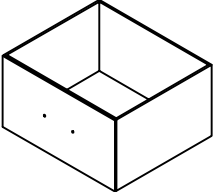
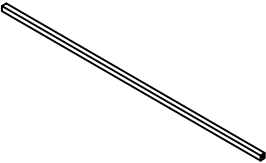
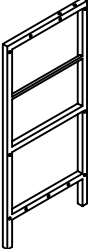











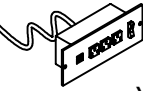
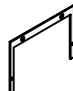
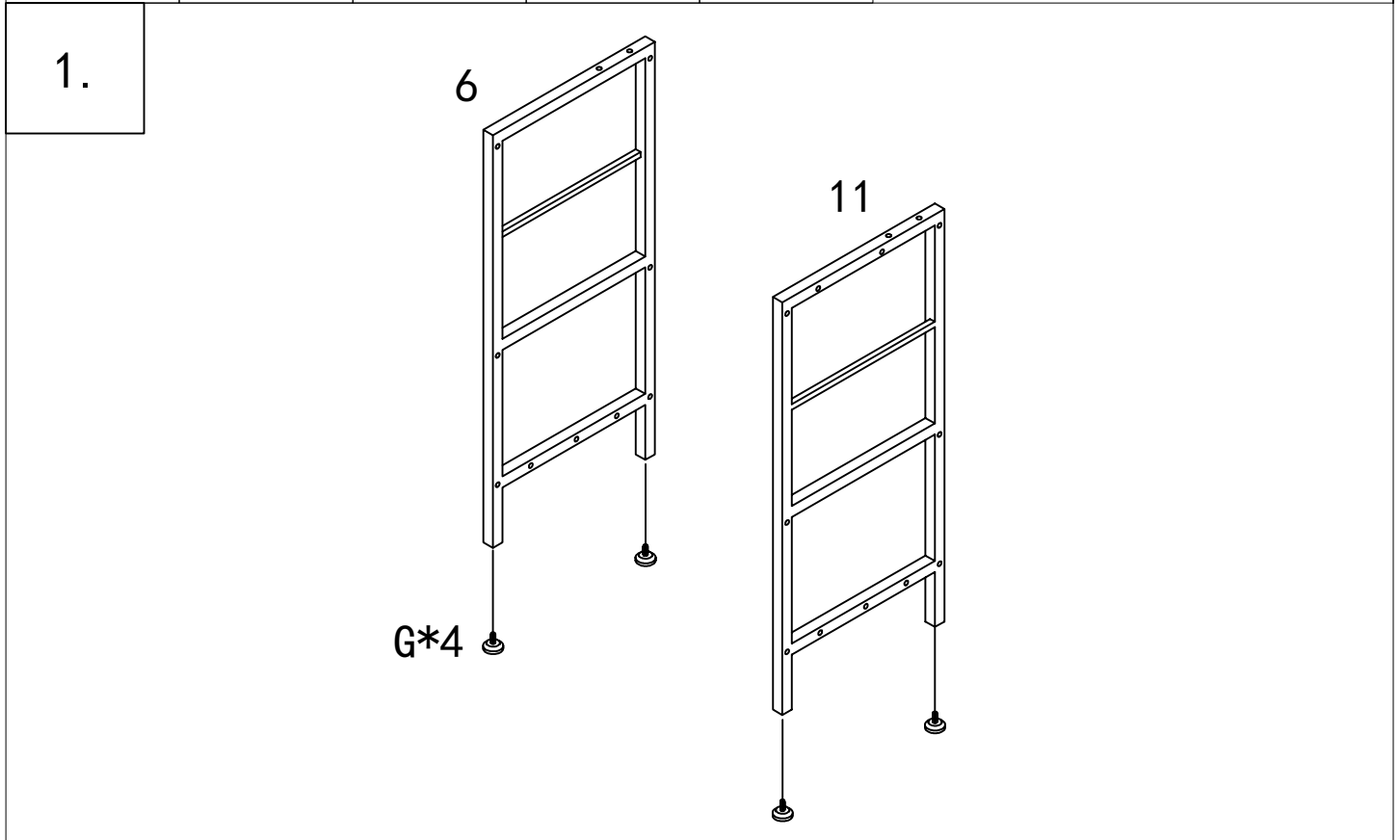
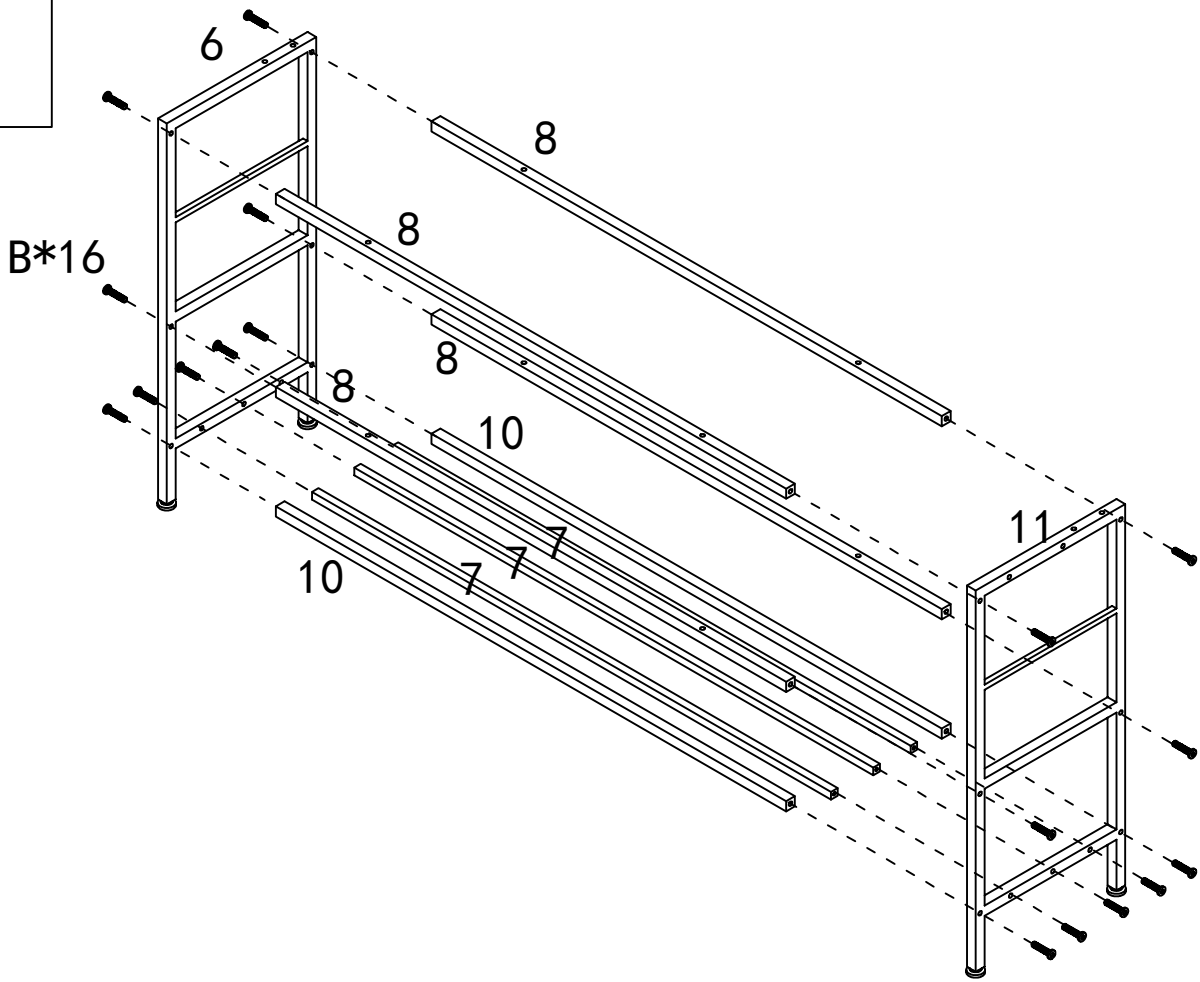


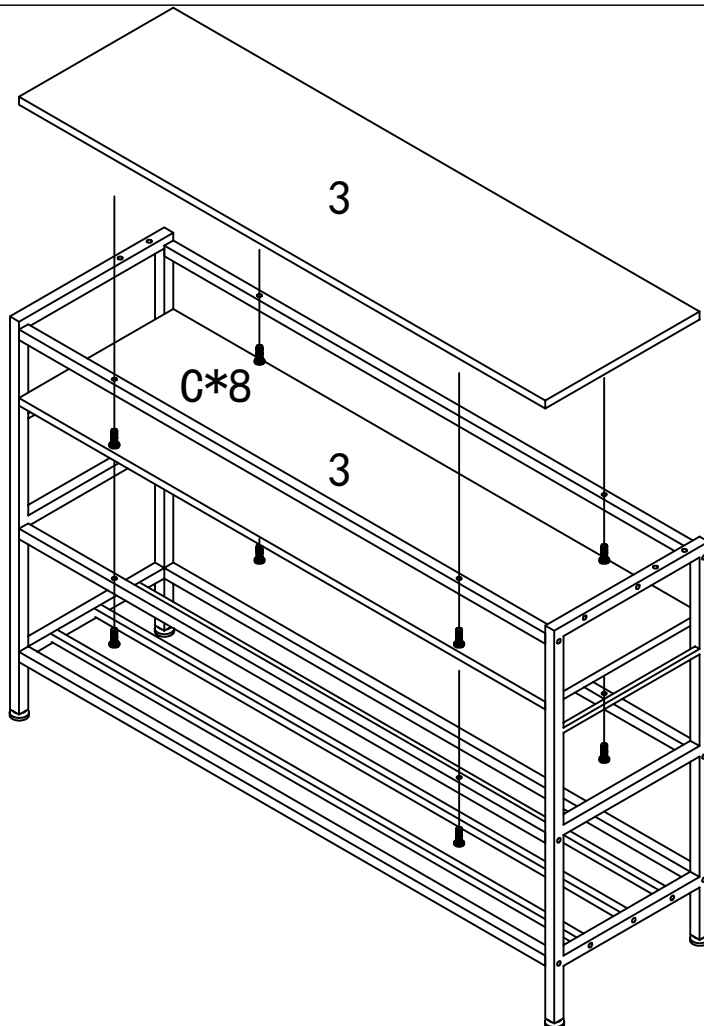
1  X2	2  X2	3  X2	4  X1				
5  X2	6  X1	7  X4	8  X3				
9  X3	10  X2	11  X1					
A  6. 3*40 X26	B  6*35 X22	C  6*25 X10	D  X6	E  X1	F  X6	G  X4	H  X3
H  X3	I  X2	J  6*10 X2	K  X1	L  X1			



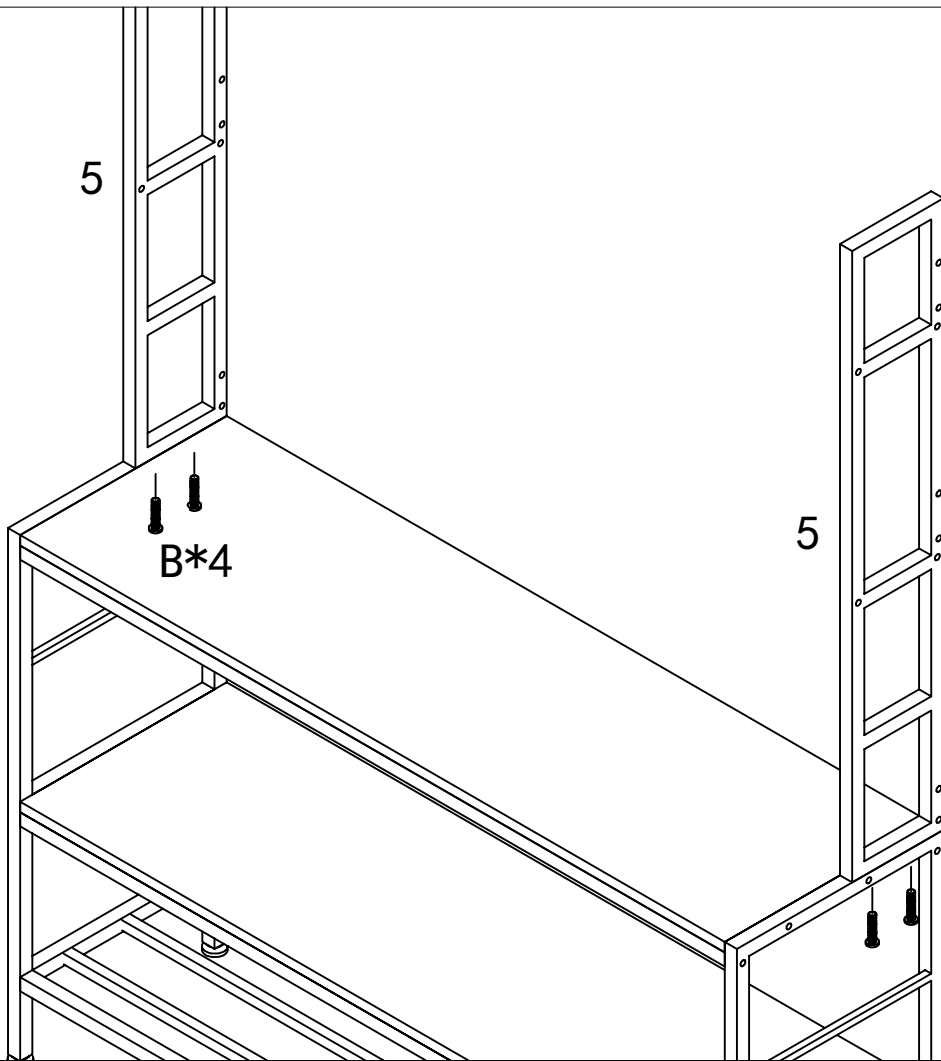
2.



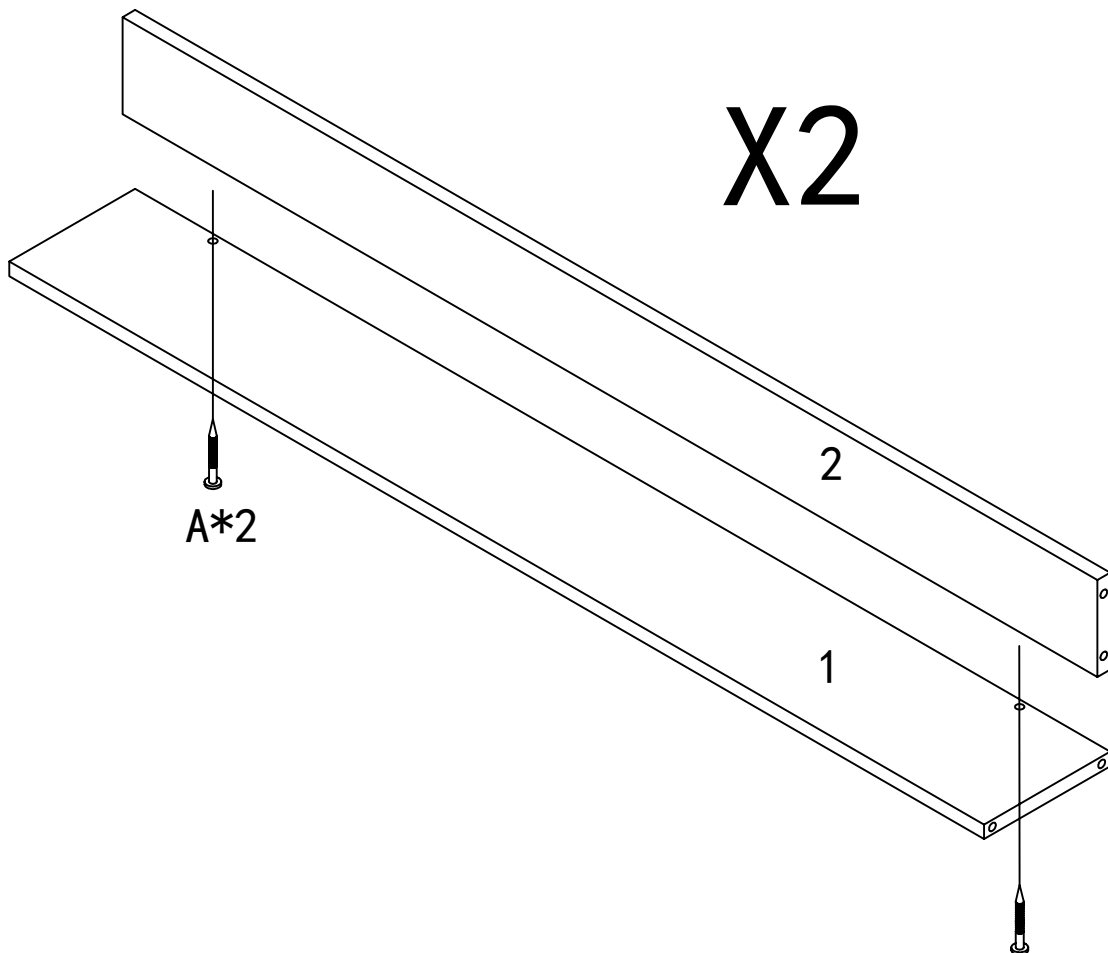
3.



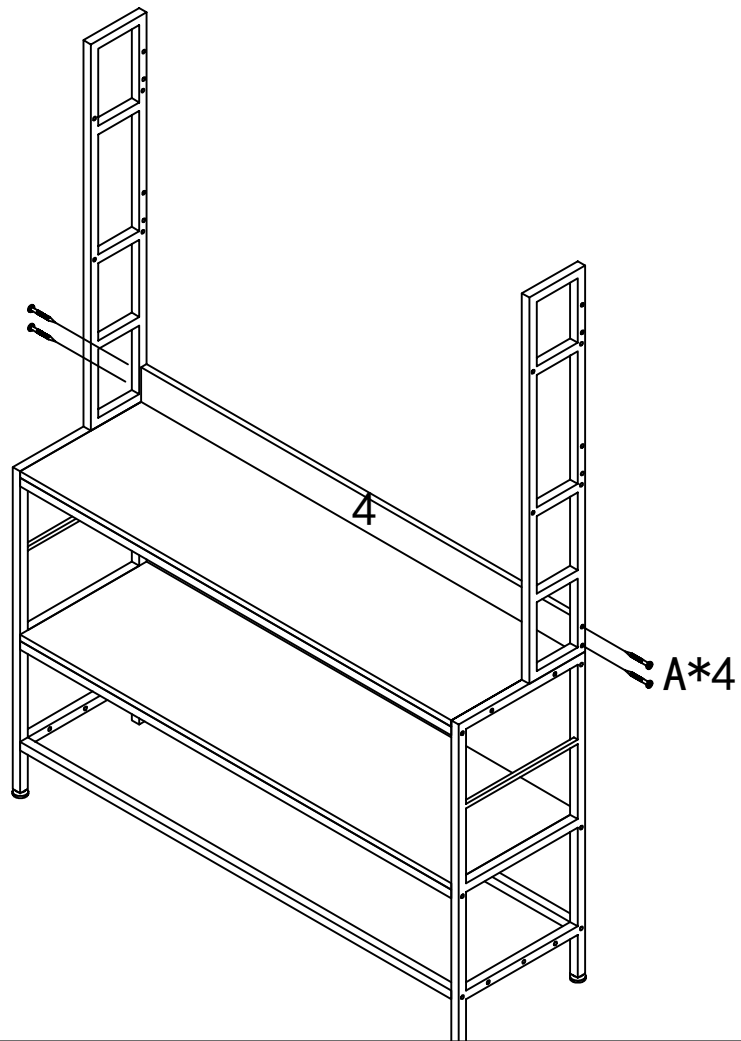
4.



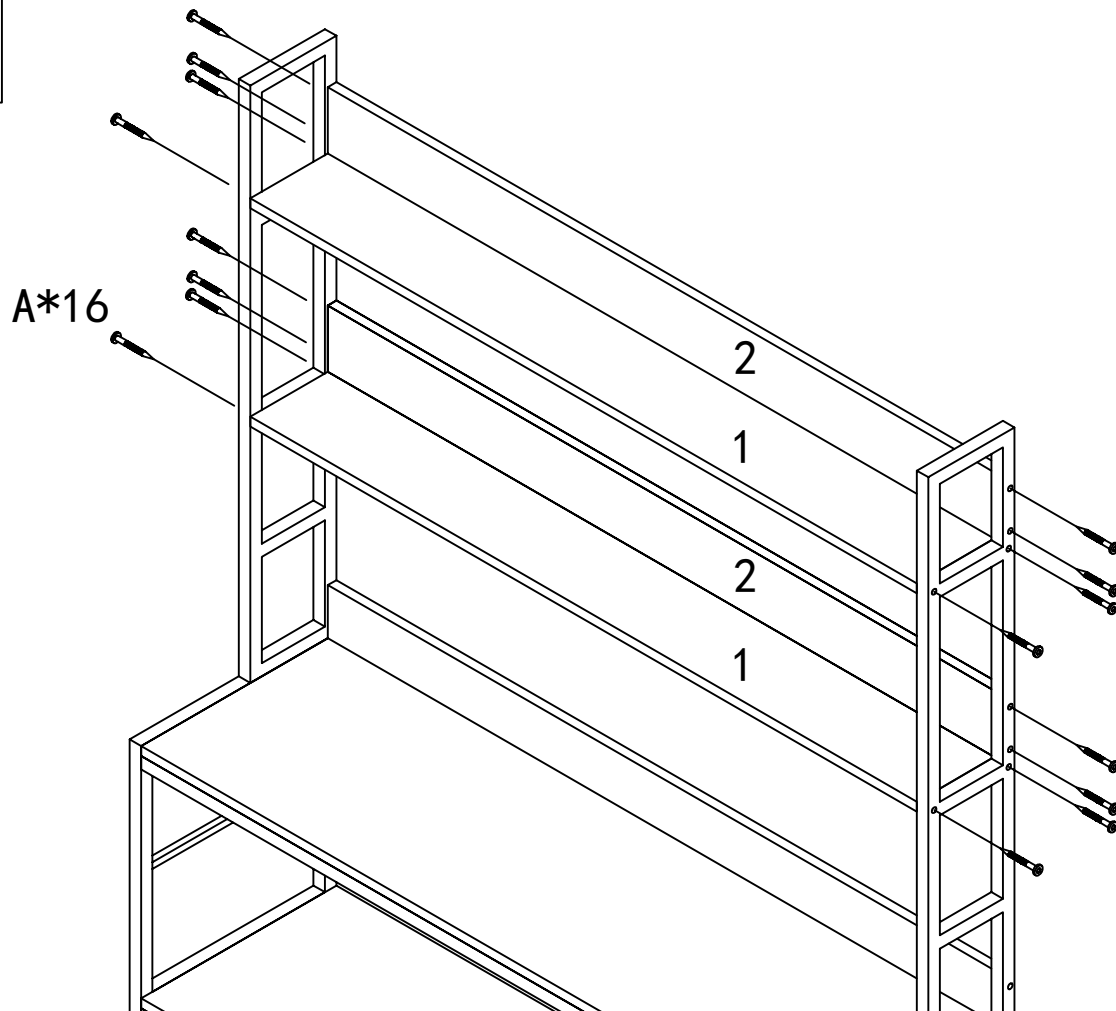
5.



6.

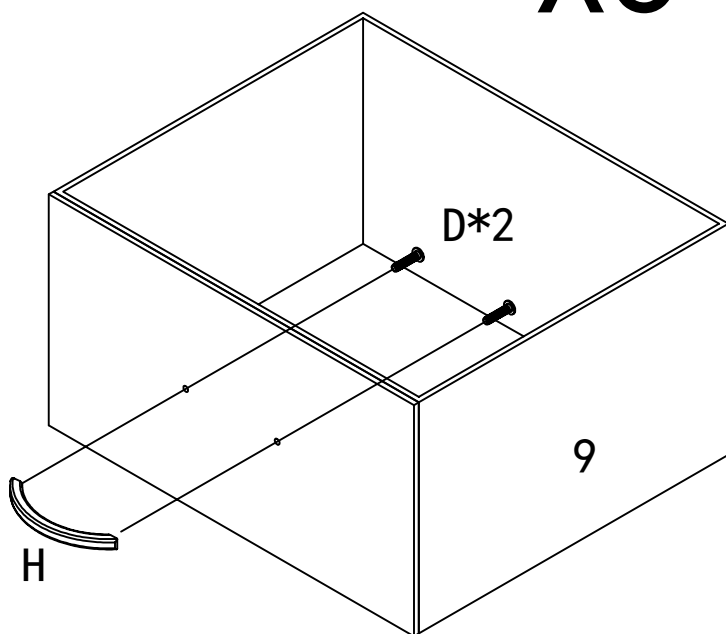


7.

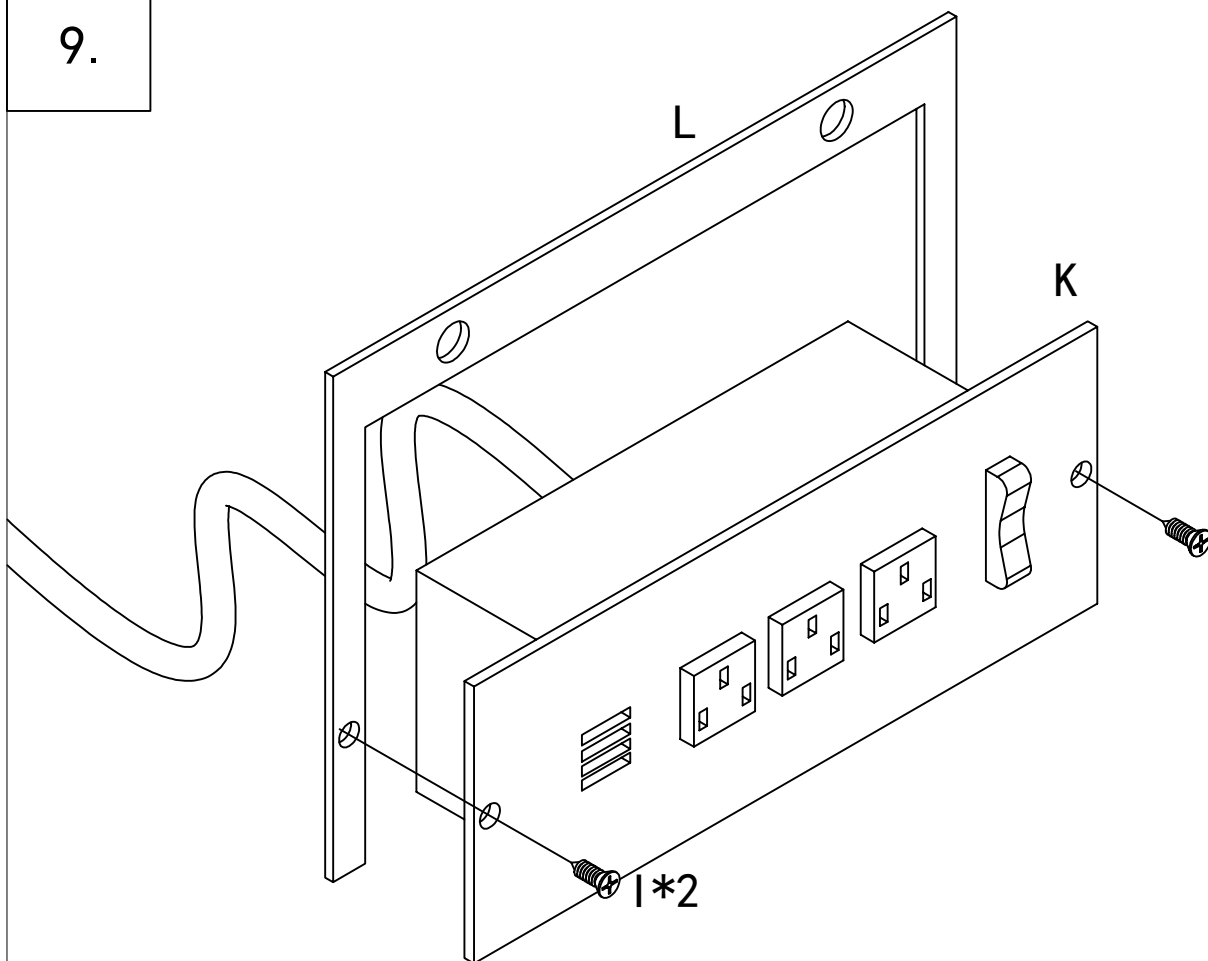


8.

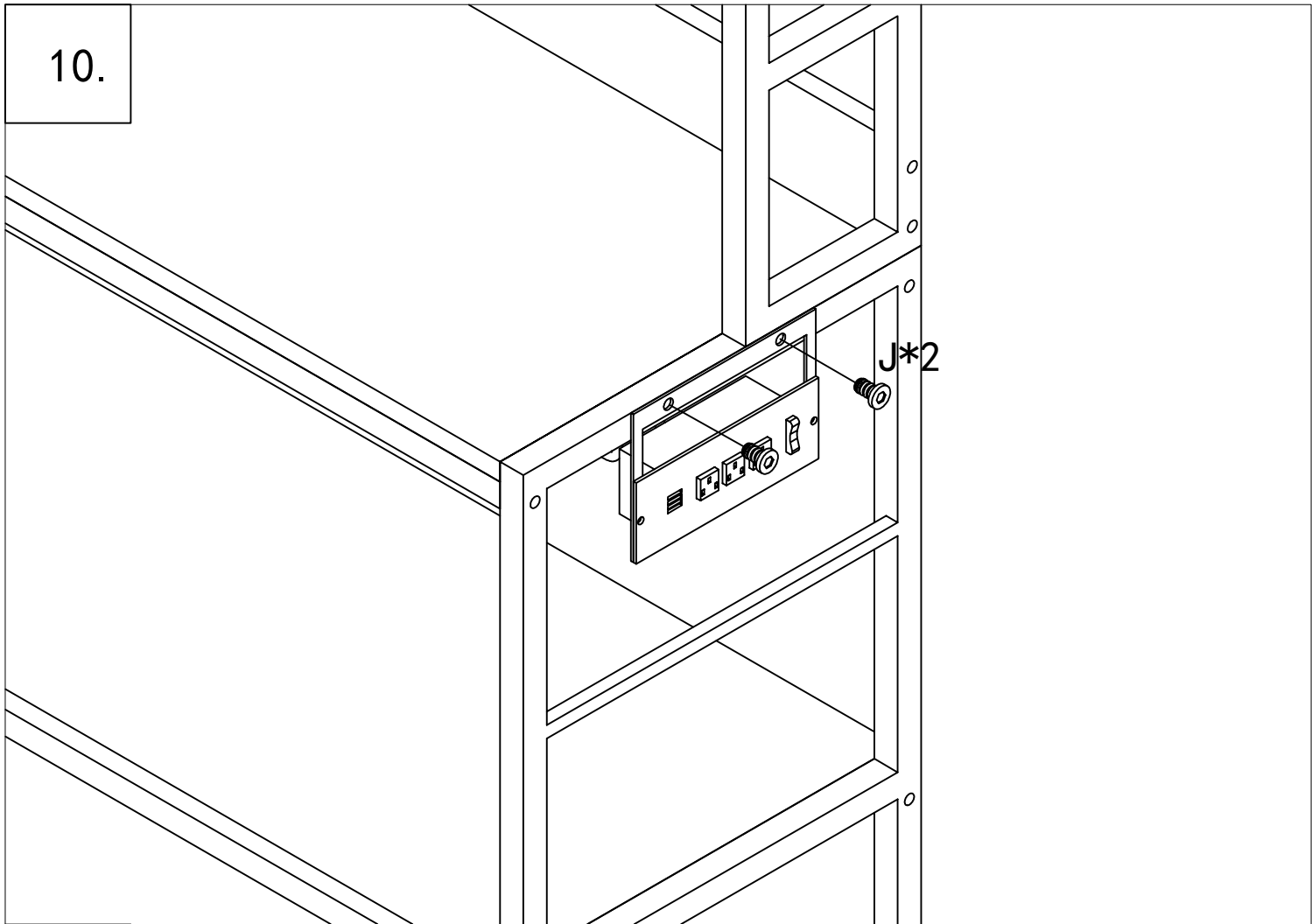
X3



9.



10.



11.

