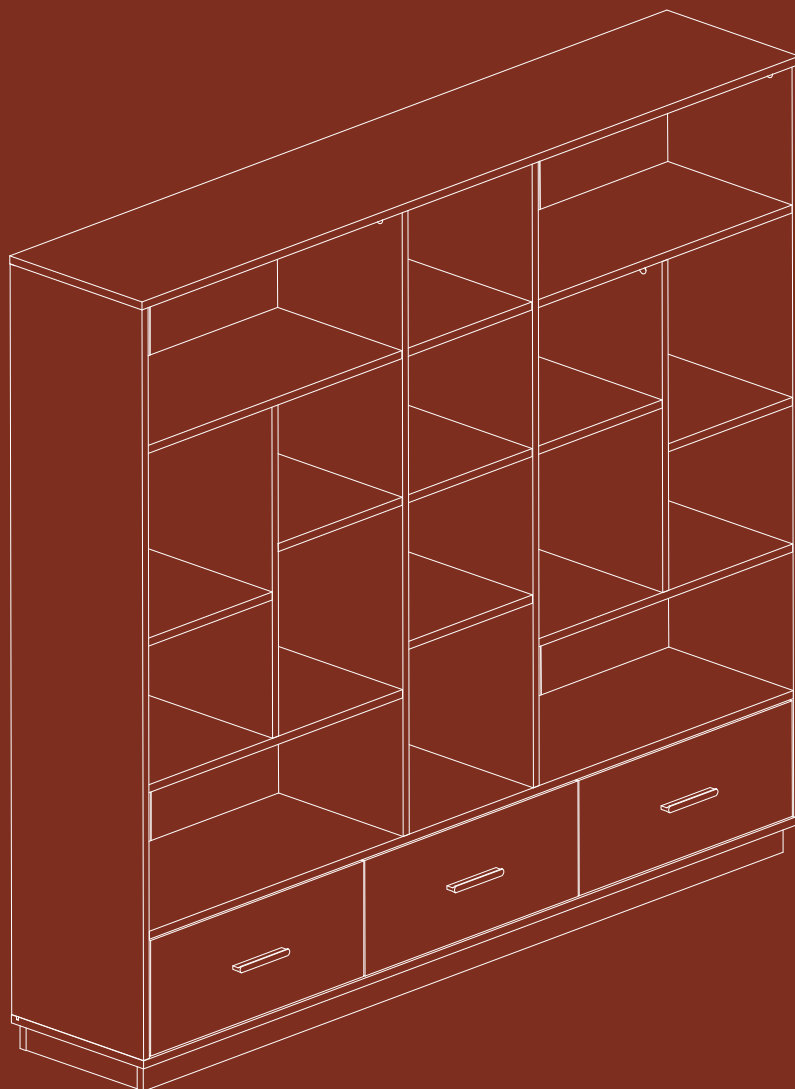




ModernMate

ASSEMBLY INSTRUCTION



BOOKCASE

INTRODUCTION

Thank you for purchasing our products. Please read the instructions carefully before installation and keep it in a safe place for future reference. If you need any assistance or support, please feel free to contact our customer support team.

PRECAUTIONS

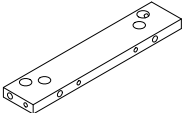
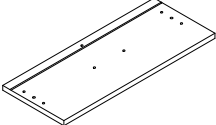
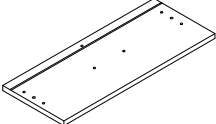
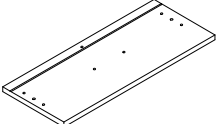
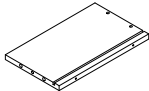
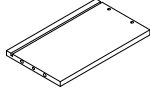
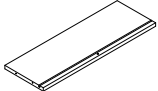
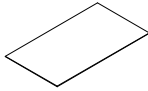
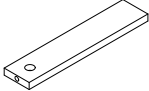
1. There are many components and accessories in the package. Each component and accessory is labeled with a letter or a number, check carefully before using any of them. Keep them away from children to prevent accidents.
 2. Please install the product on a clean and soft underlay (such as carpet or cardboard) to avoid scratching or damaging the surface of the product.
 3. The main components of the product is relatively heavy. Please pay attention to safety during installation.
 4. The product is not stable during installation. Please do not move it randomly before it is completely installed.
 5. If you have any questions during installation, please contact the customer service in time.
- * Please be sure to follow the installation steps in the manual to avoid unnecessary losses caused by improper installation.
 - * If you need further assistance, please contact the customer service online.

Parts List

ID	Parts	QTY
1		1
2		1
3		1
4		1
5		1
6		1
7		1
8		2
9		2
10		2


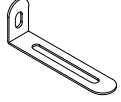



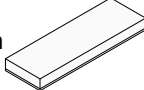
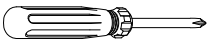
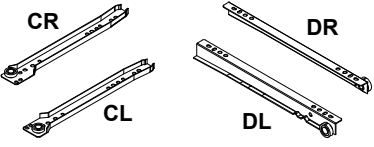
ID	Parts	QTY
11		1
12		2
13		2
14		2
15		1
16		1
17		1
18		3
19		2
20		2

Hardware List

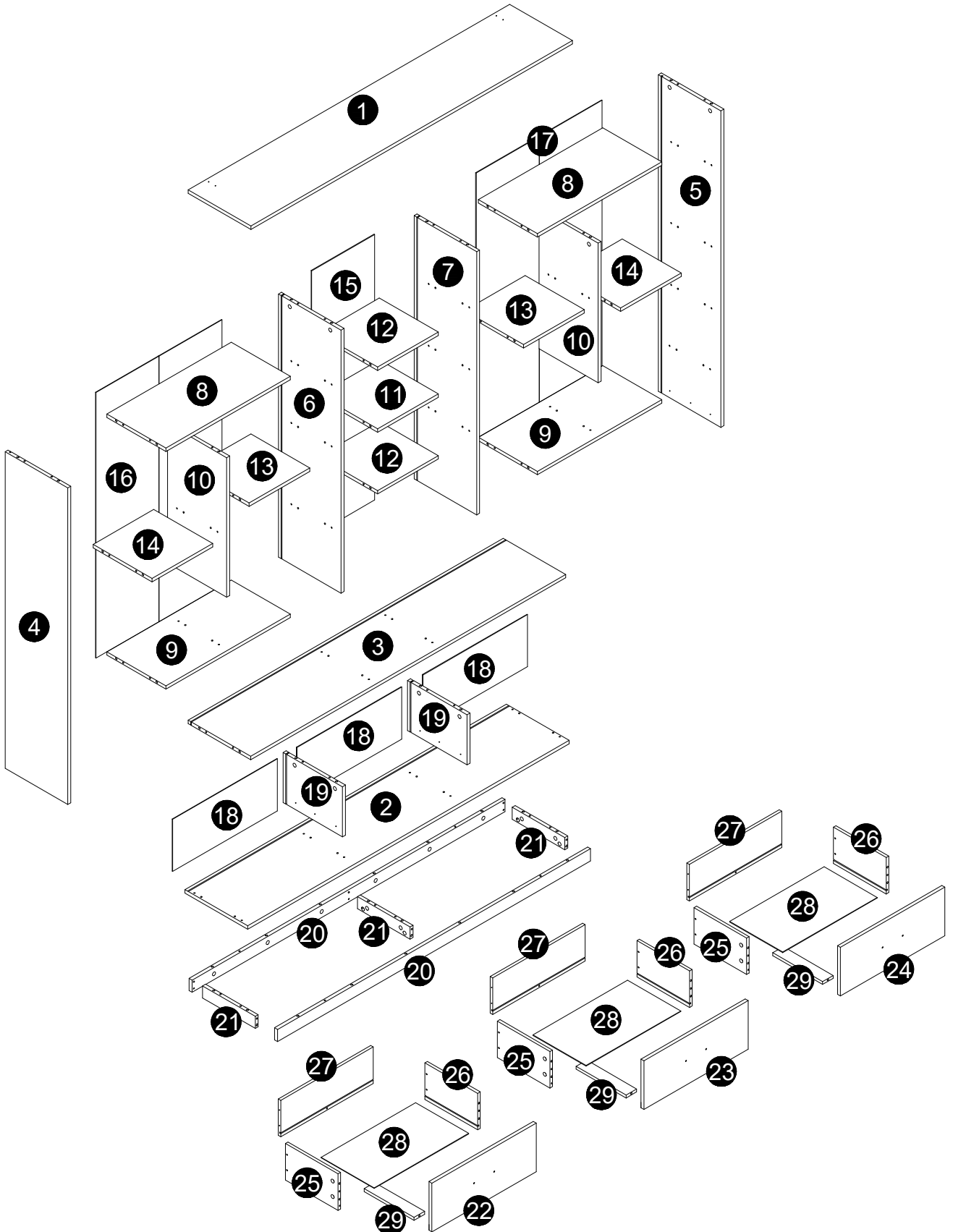
ID	Parts	QTY
21		3
22		1
23		1
24		1
25		3
26		3
27		3
28		3
29		3

Hardware List

ID	Parts	QTY
A	Ø6*25mm 	103+5
B	Ø15*9.5mm 	103+5
C	Ø6*30mm 	102+5
D	Ø3.5*12mm 	28+5
E	Ø3*12mm 	15+1
F	Ø5*50mm 	16+1
G	Ø20 	79+7
H	Ø20 	24+2
I	Ø4*38mm 	15+1
J	Ø4*19mm 	6

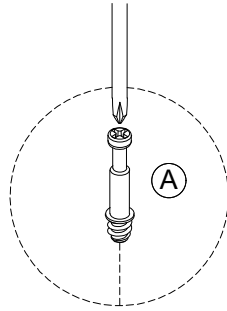
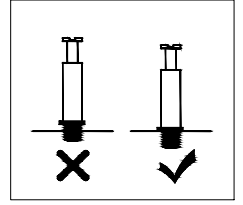
ID	Parts	QTY
K		3
L		2
M	Ø4*12mm 	4
N	Ø6*30mm 	2
O	Ø4*35mm 	2
P	45*12*3mm 	9
Q		1
	 CR DR CL DL	3SET

Parts List

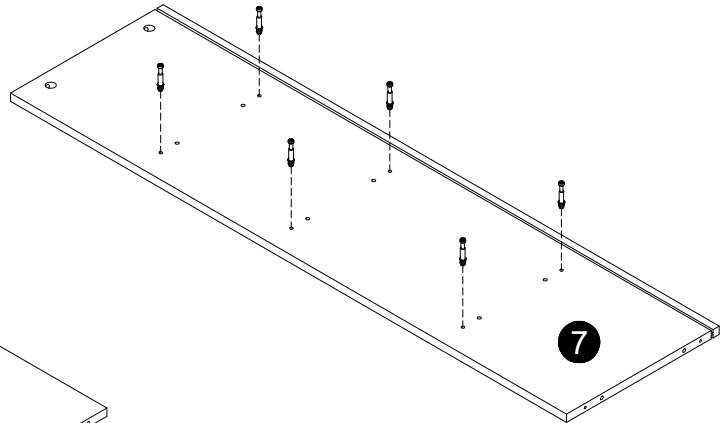
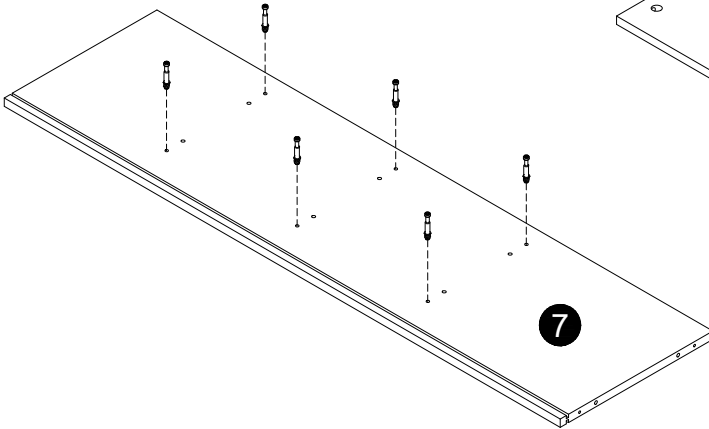


STEP 1

 **A** X12



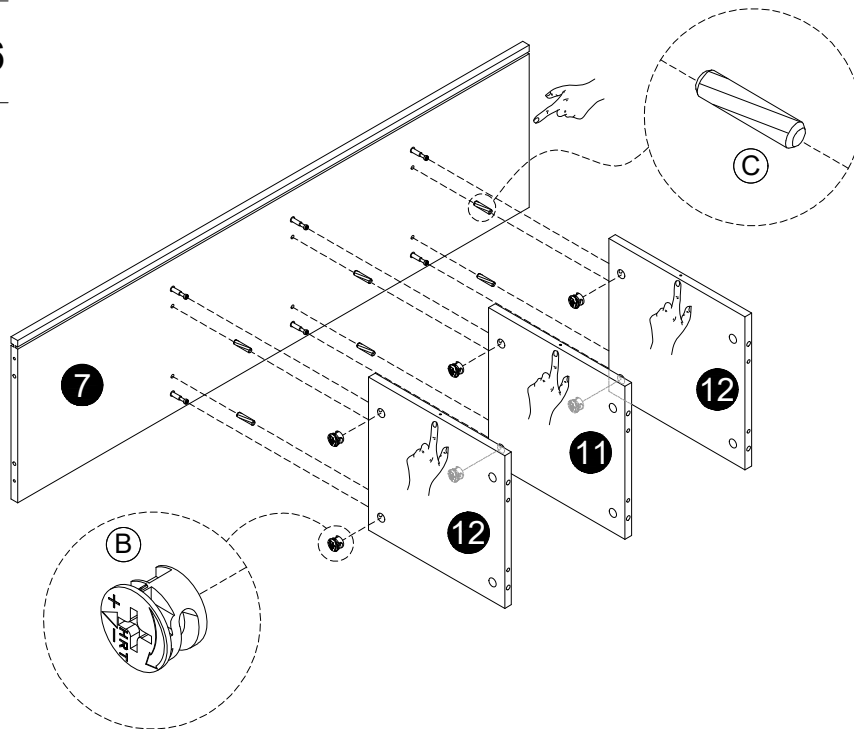
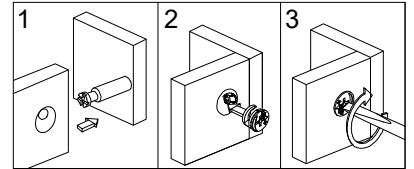
FLIP 180°



STEP 2

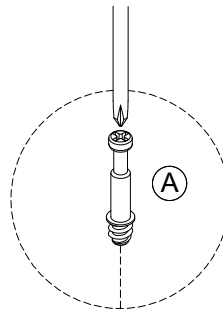
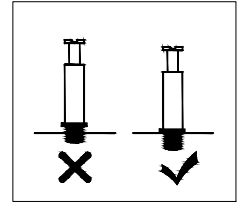
 **B** X6


 **C** X6

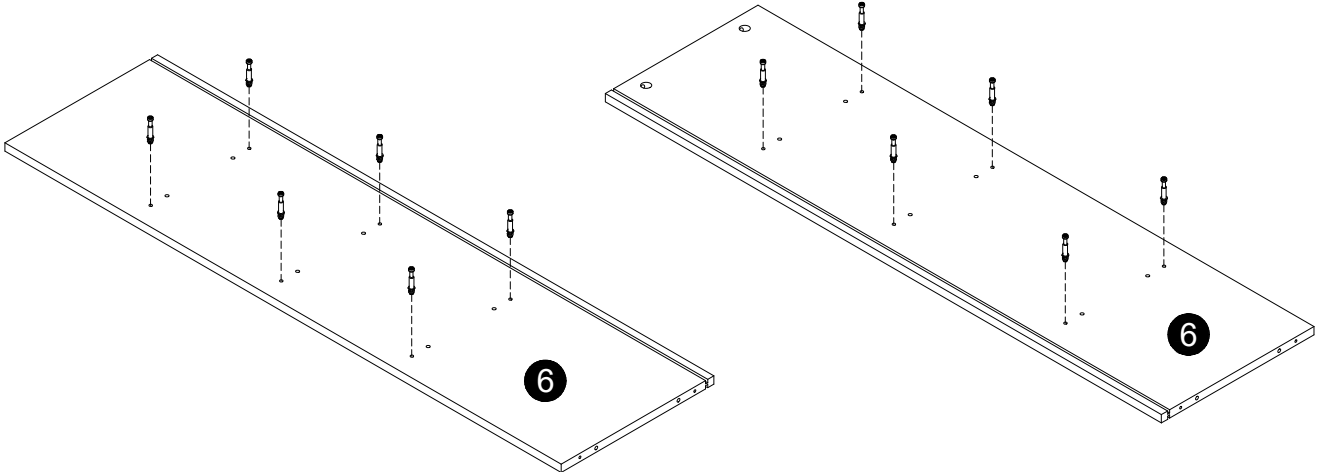


STEP 3

 **A** X12



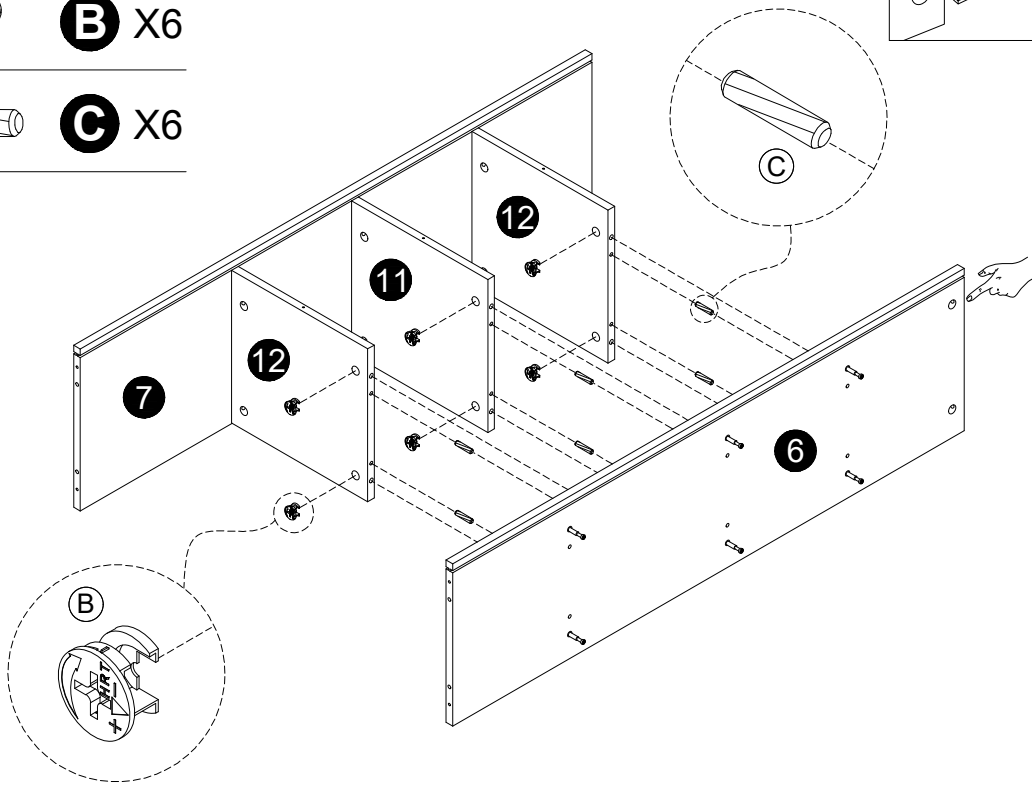
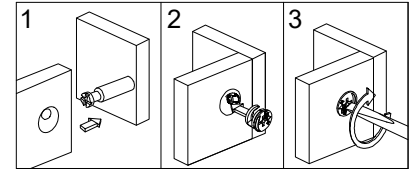

FLIP 180°



STEP 4

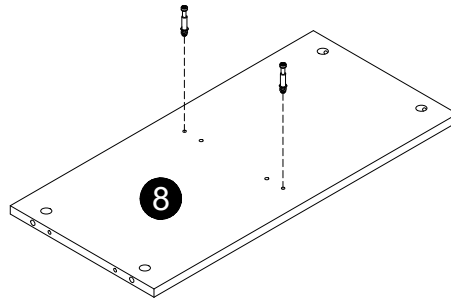
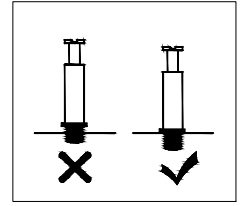
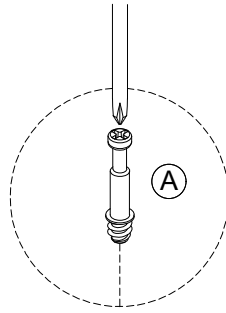
 **B** X6

 **C** X6



STEP 5

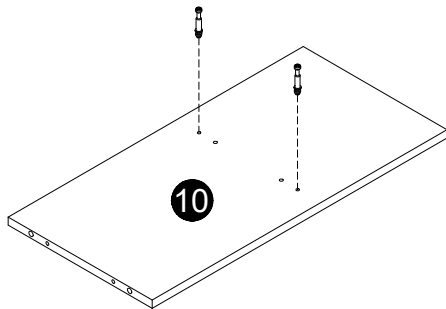
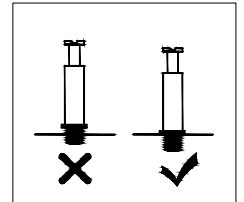
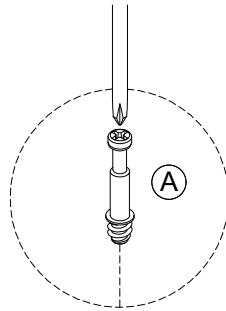
 **A** X4



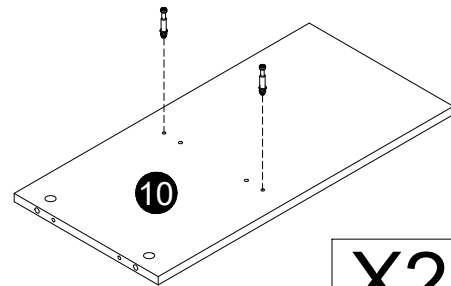
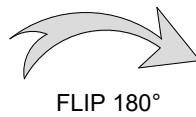
X2

STEP 6

 **A** X8

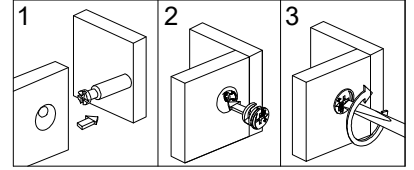




X2

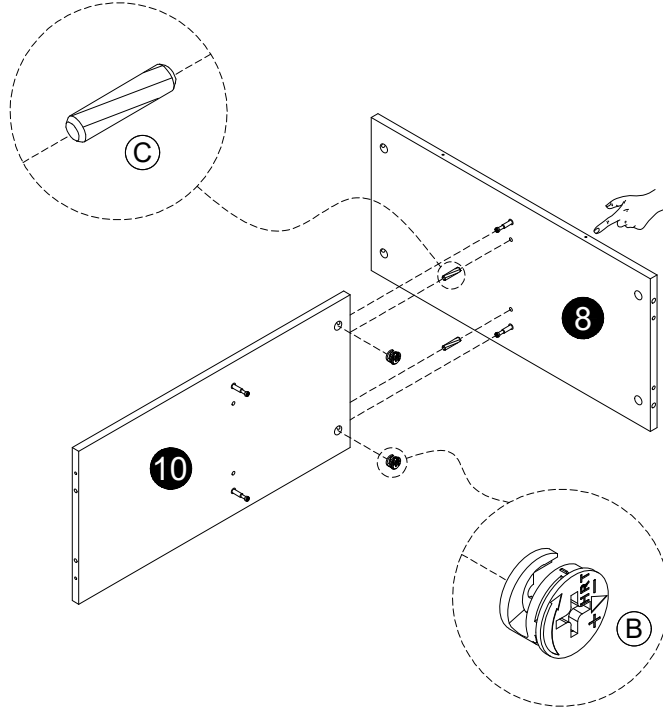


X2

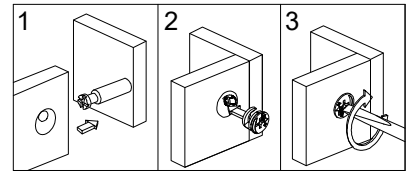
STEP 7


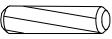


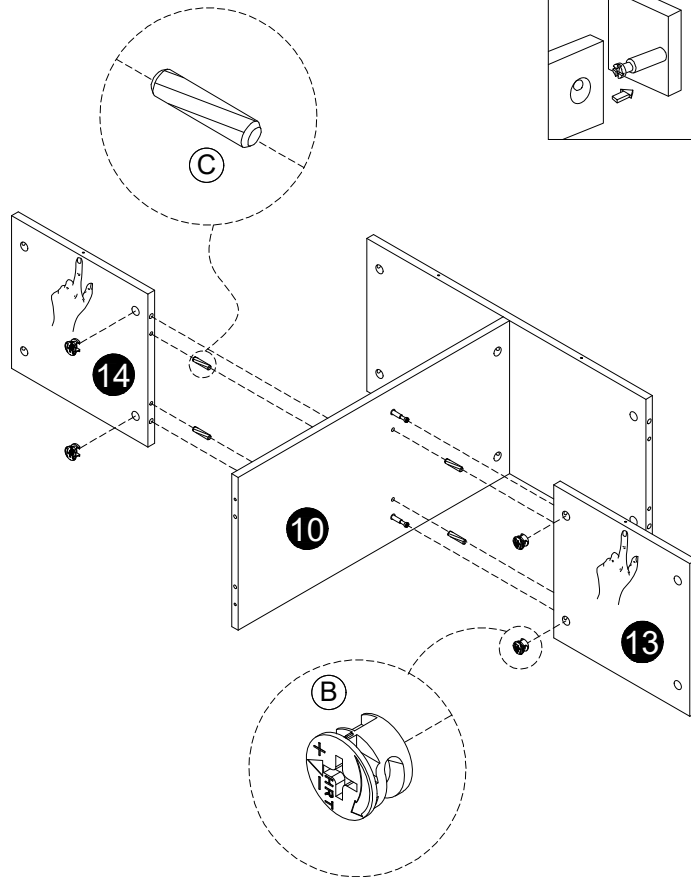
-  **B** X2
-  **C** X2



STEP 8



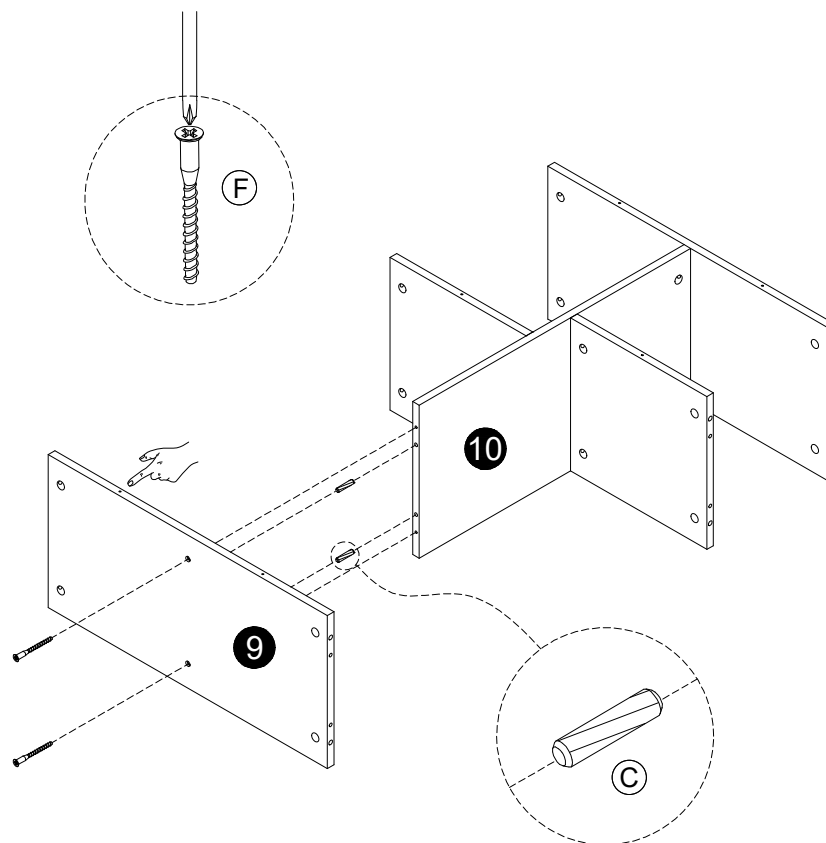
-  **B** X4
-  **C** X4



STEP 9

 **F** X2

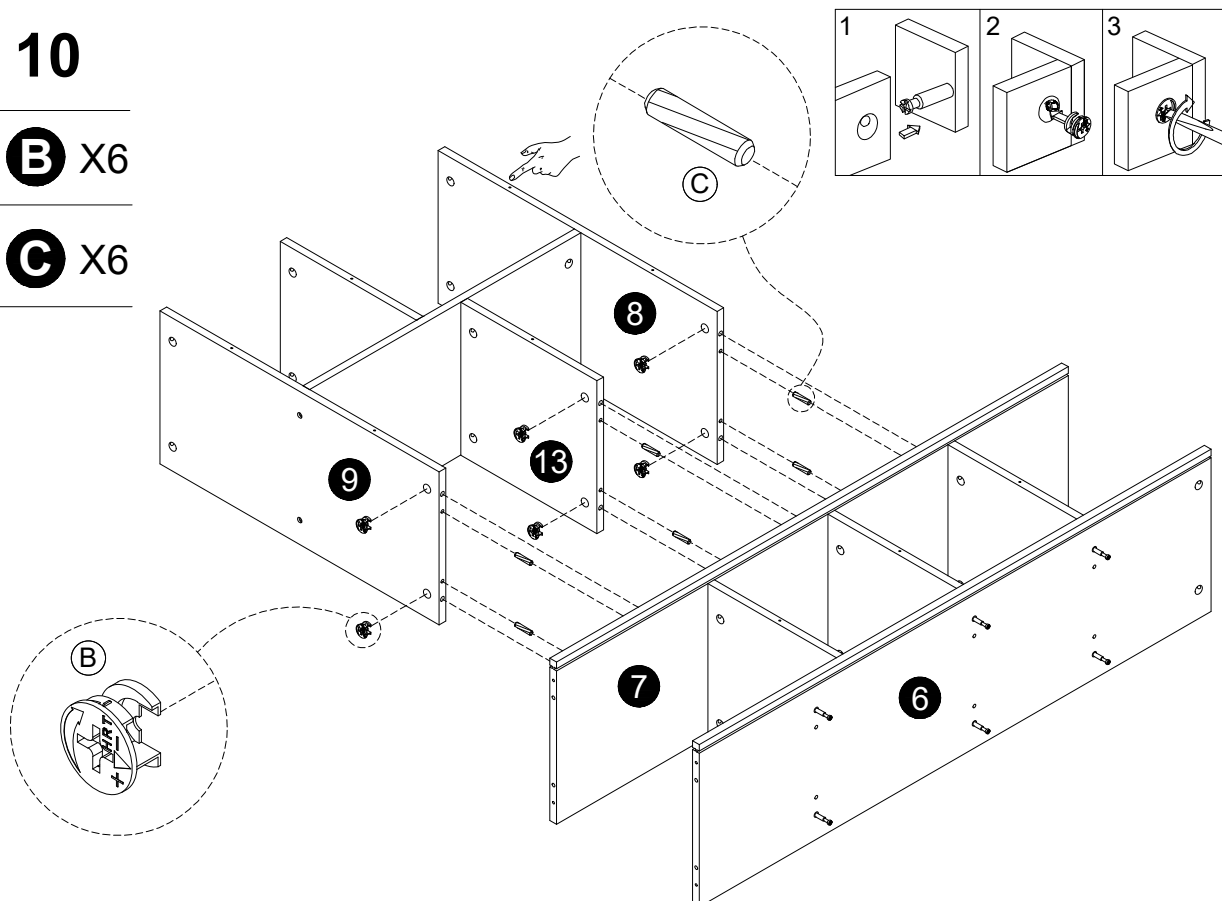
 **C** X2



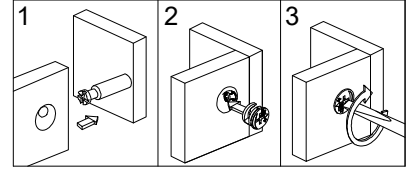
STEP 10

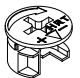

 **B** X6

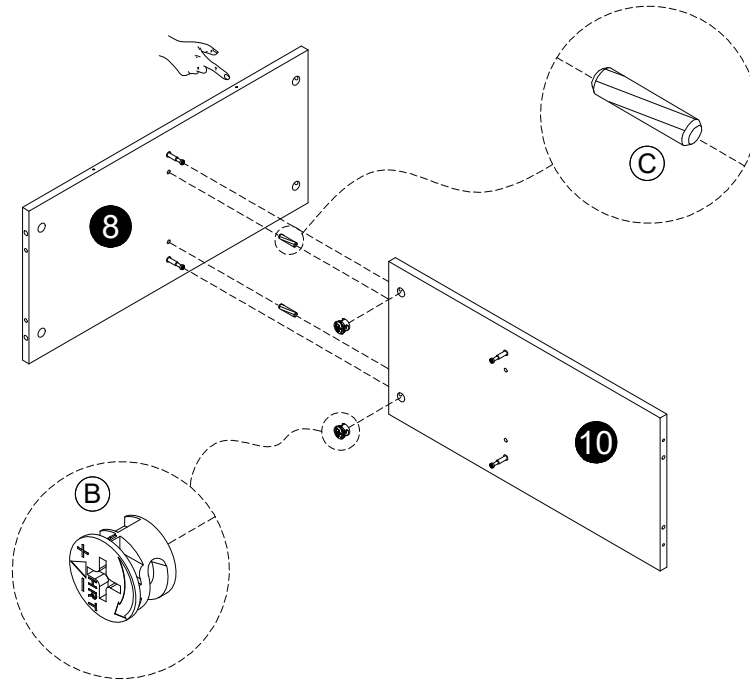
 **C** X6



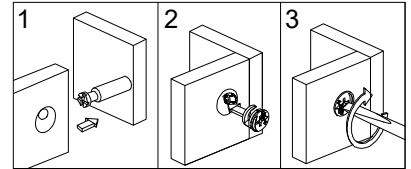
STEP 11

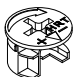



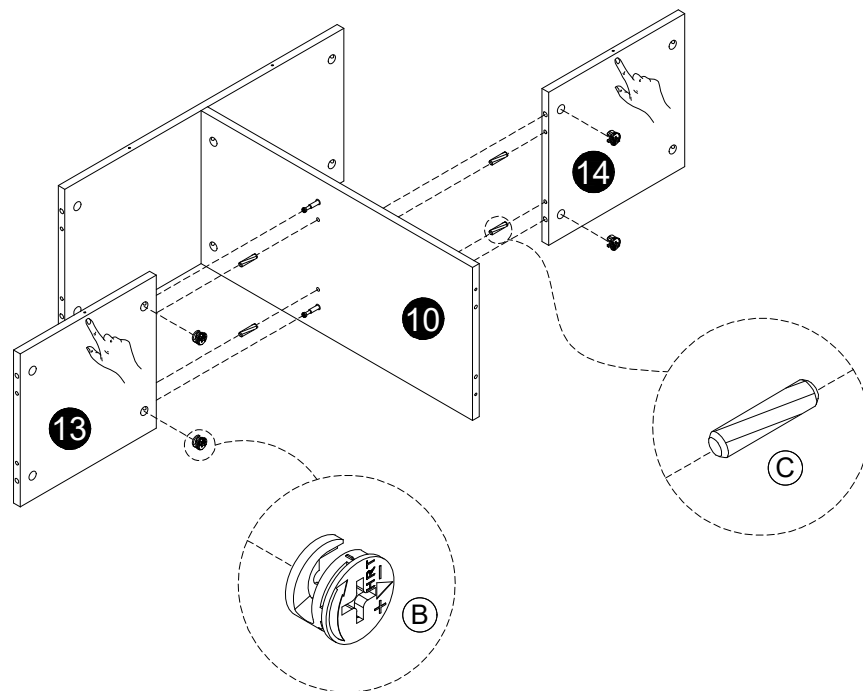
-  **B** X2
-  **C** X2



STEP 12



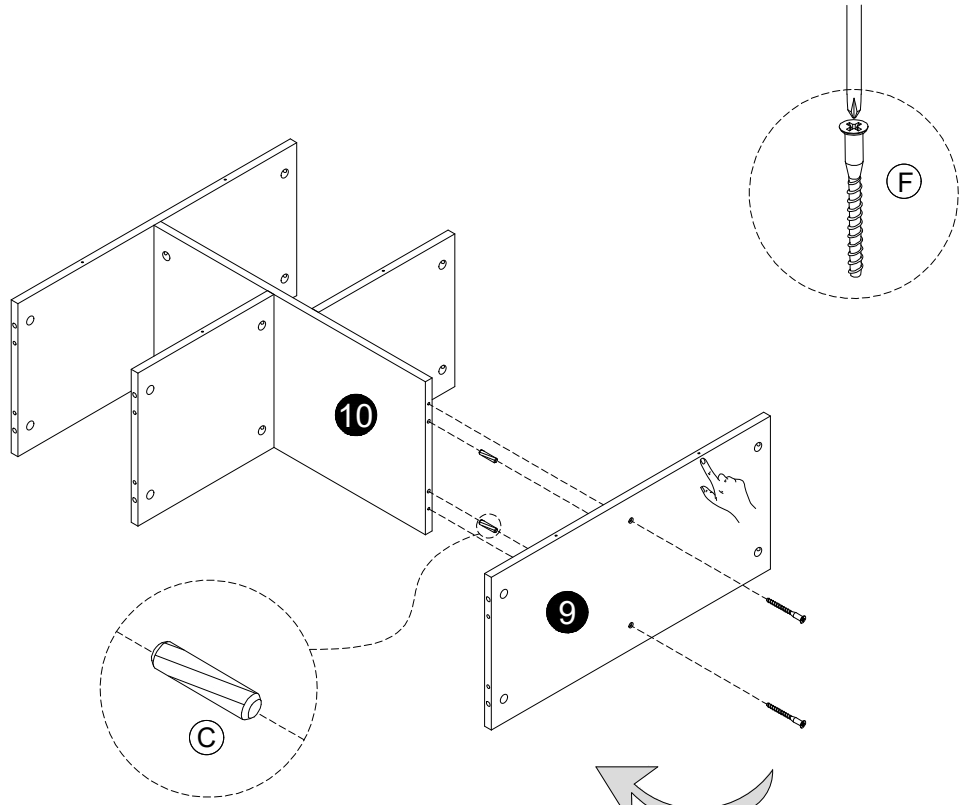
-  **B** X4
-  **C** X4



STEP 13

 **F** X2

 **C** X2

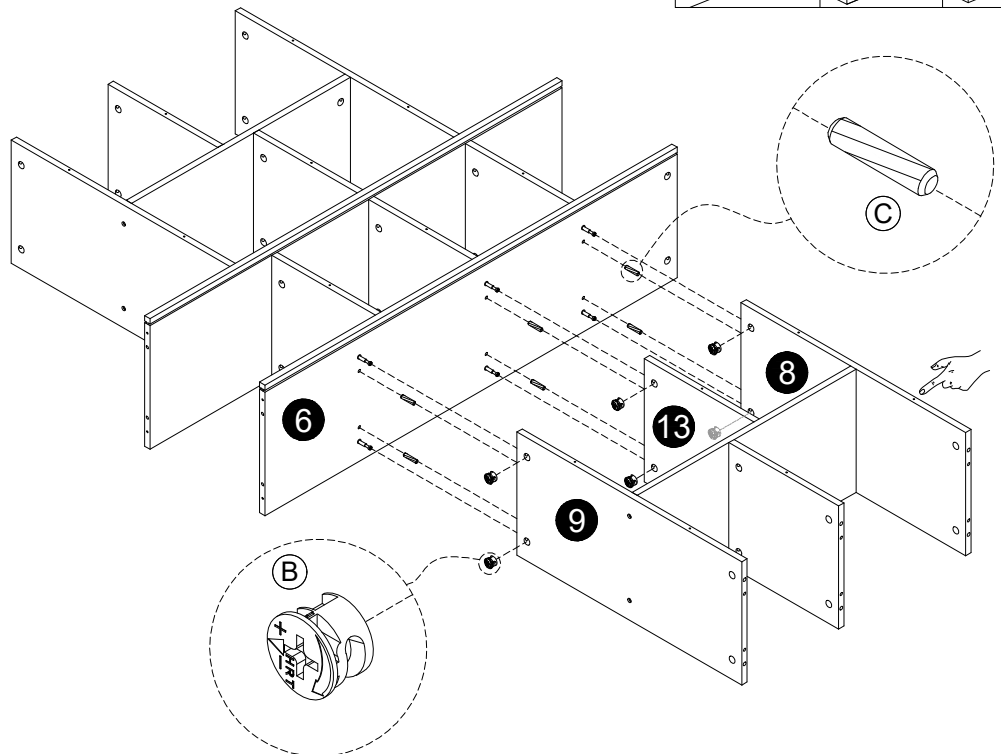
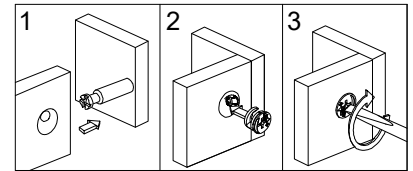


Turn 90°
to install the Next step.

STEP 14

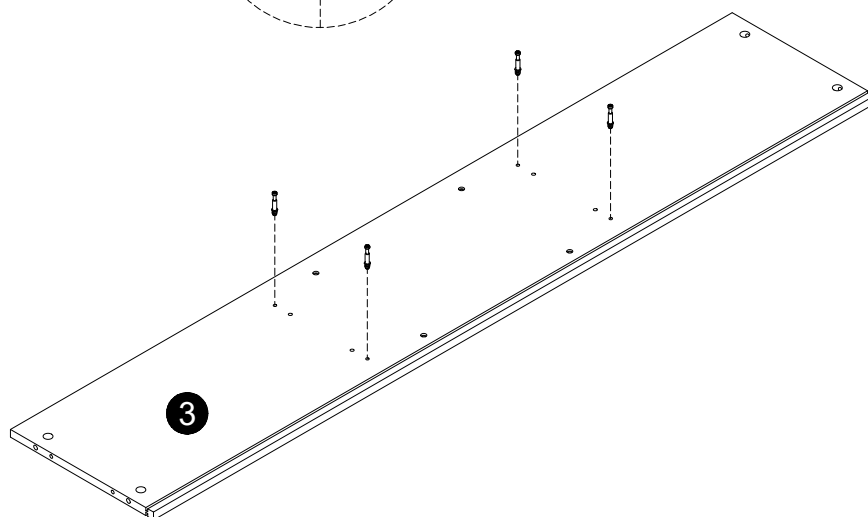
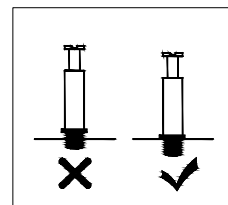
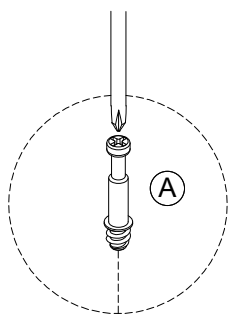
 **B** X6

 **C** X6



STEP 15

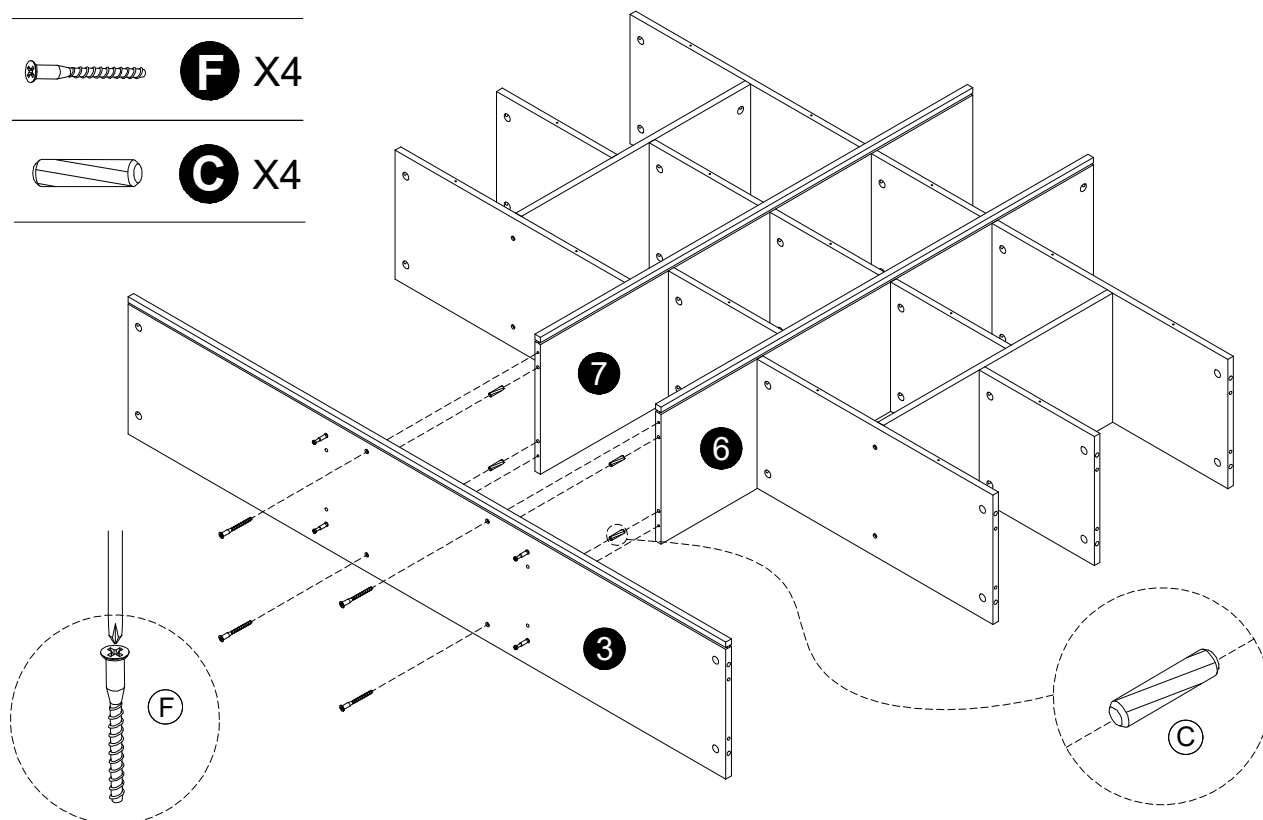
 **A** X4



STEP 16

 **F** X4

 **C** X4

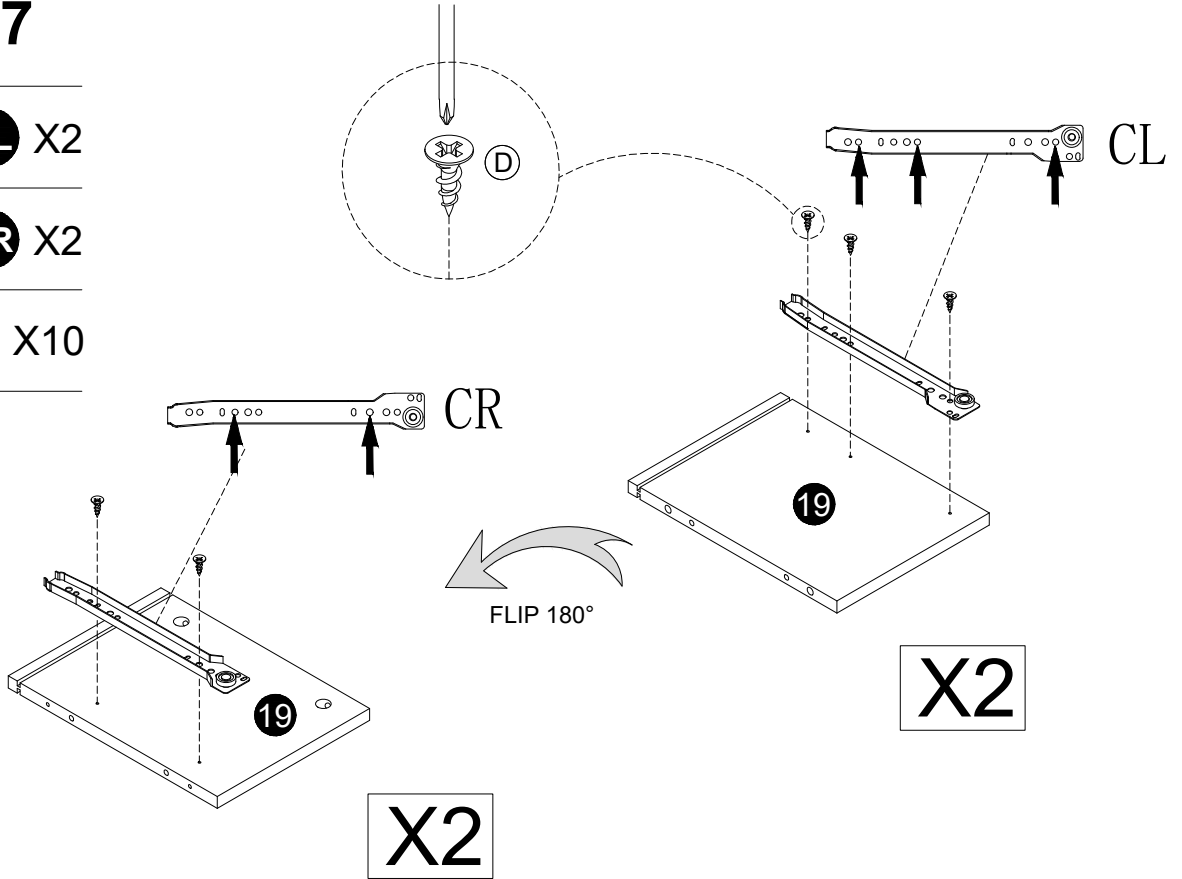


STEP 17

CL **CL** X2

CR **CR** X2

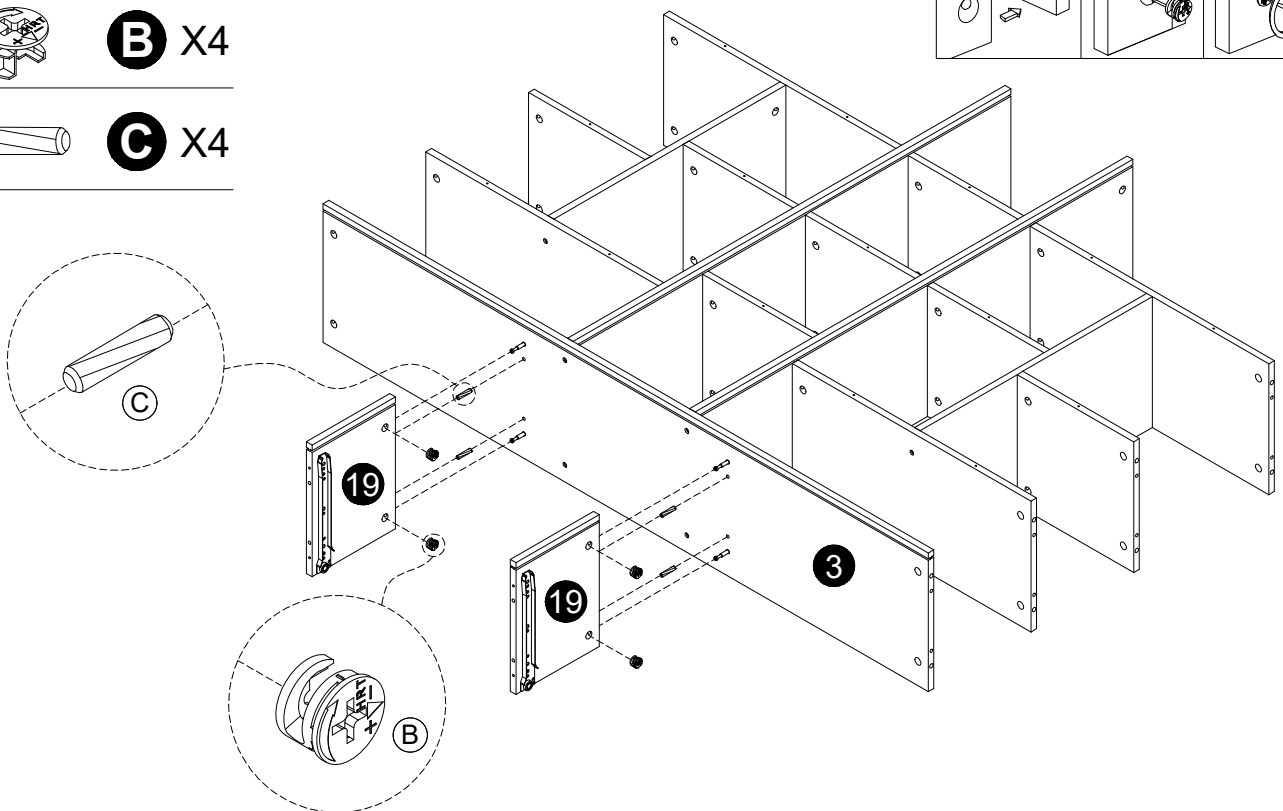
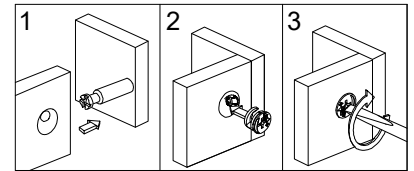
D X10



STEP 18

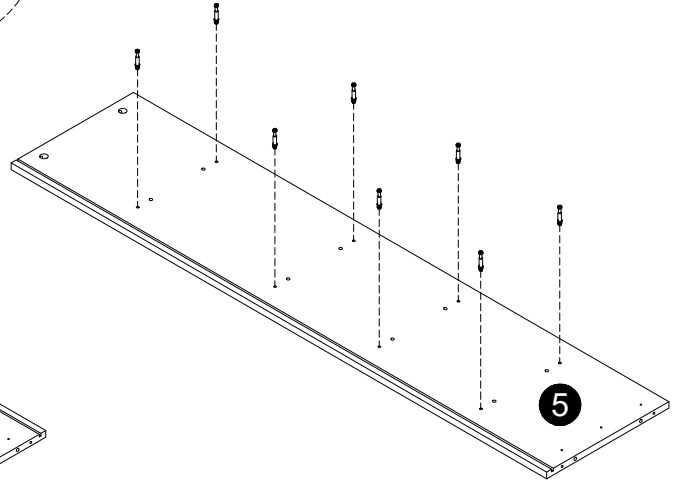
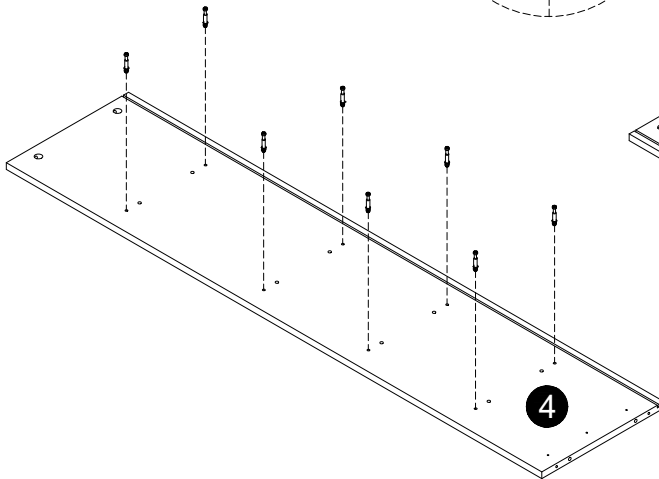
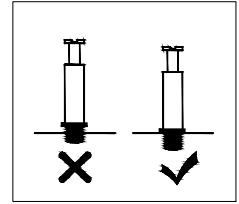
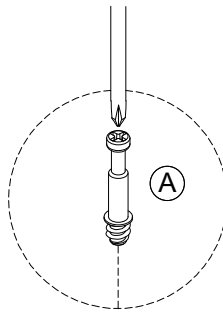
B X4

C X4



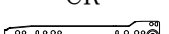
STEP 19

 **A** X16

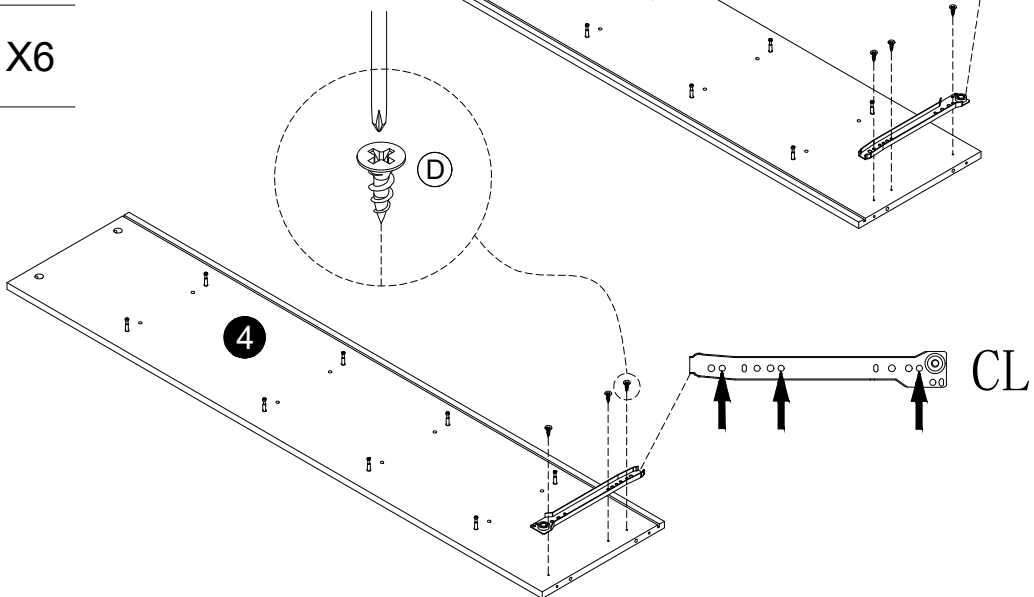
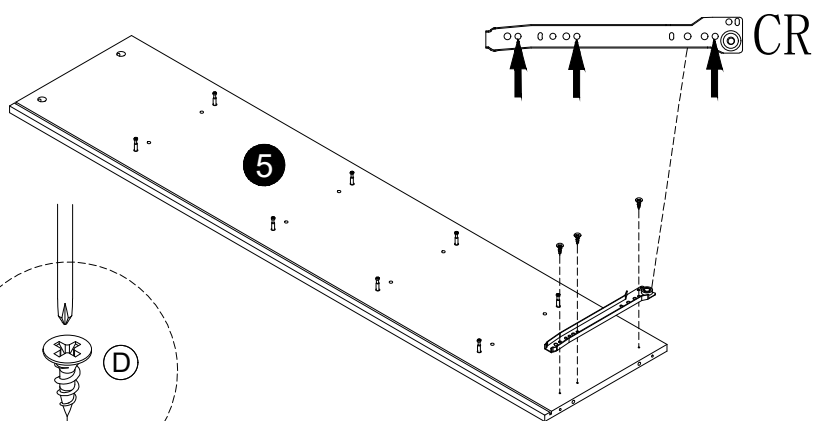


STEP 20

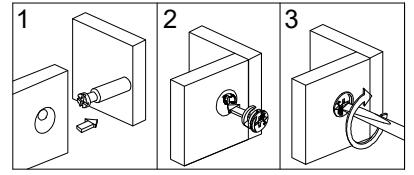
 **CL** X1


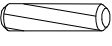
 **CR** X1

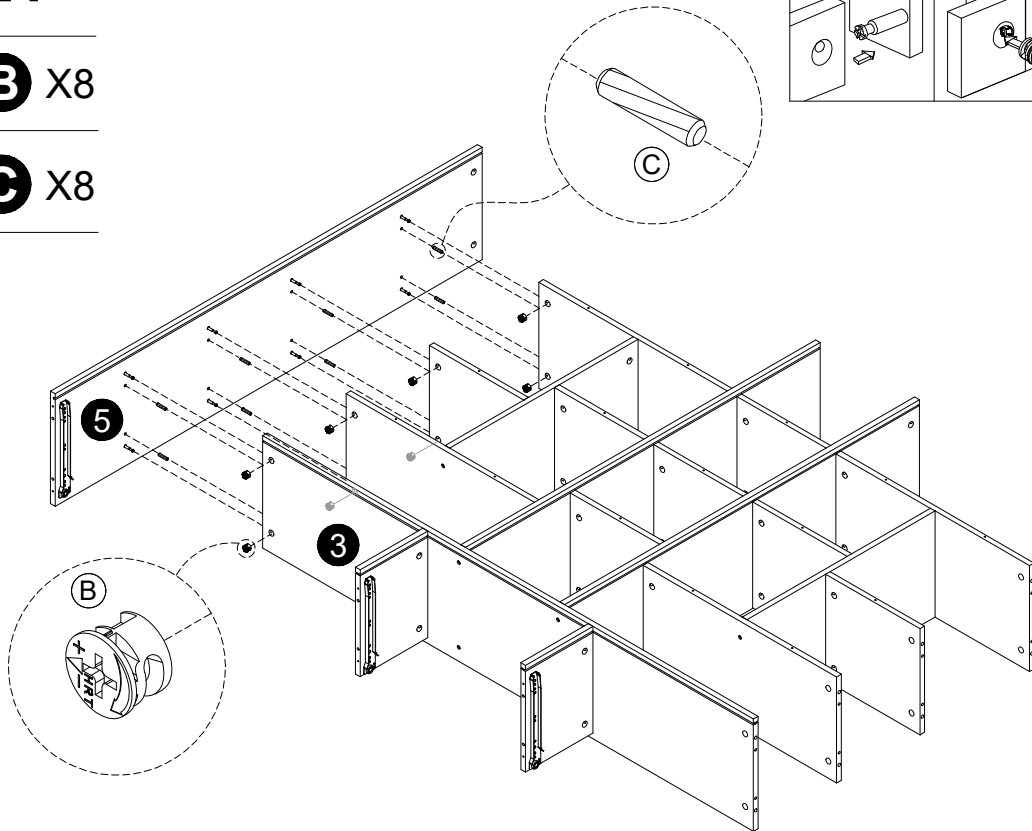
 **D** X6



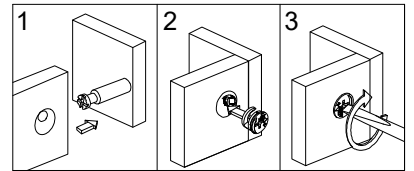
STEP 21


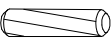


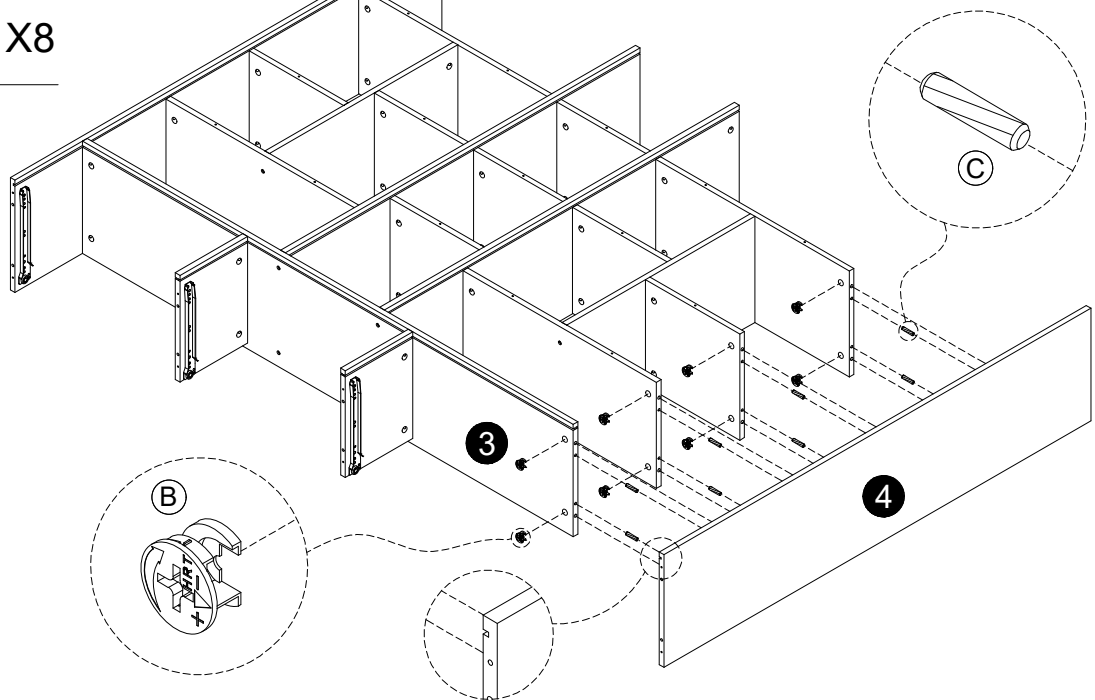
-  **B** X8
-  **C** X8

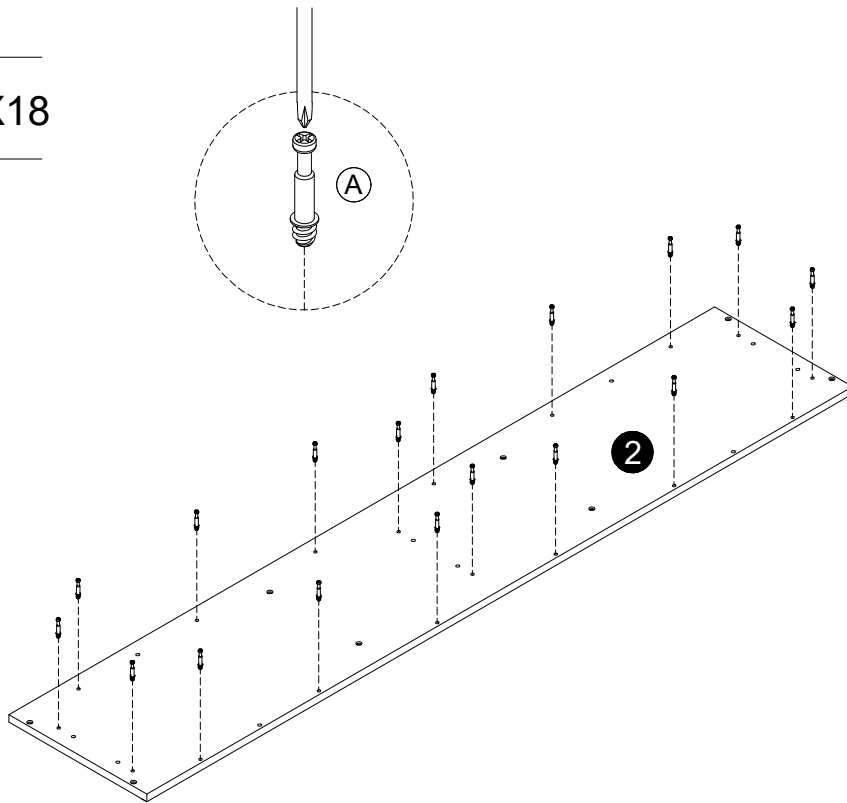
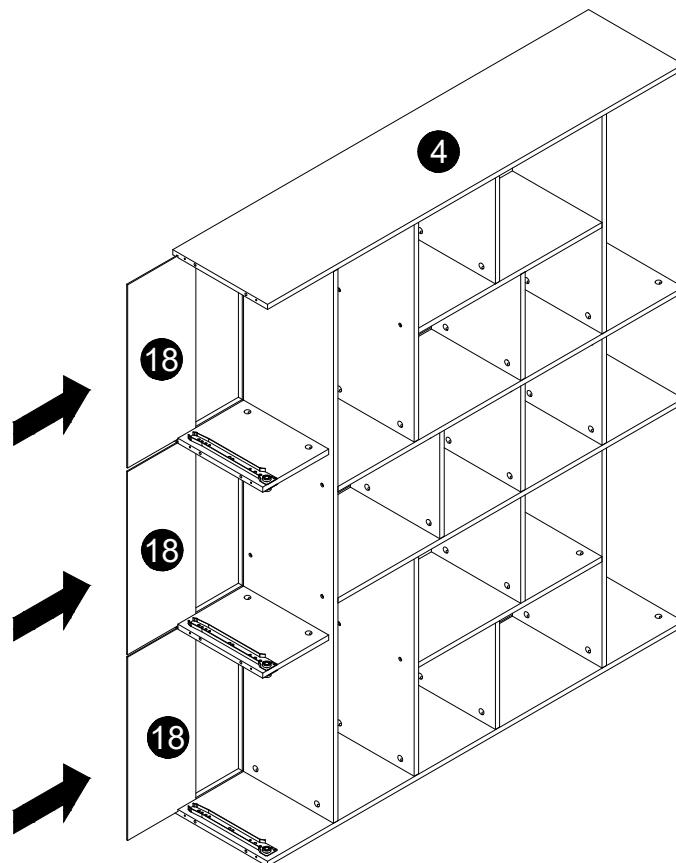


STEP 22



-  **B** X8
-  **C** X8

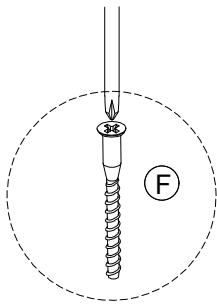


STEP 23 **A** X18**STEP 24**

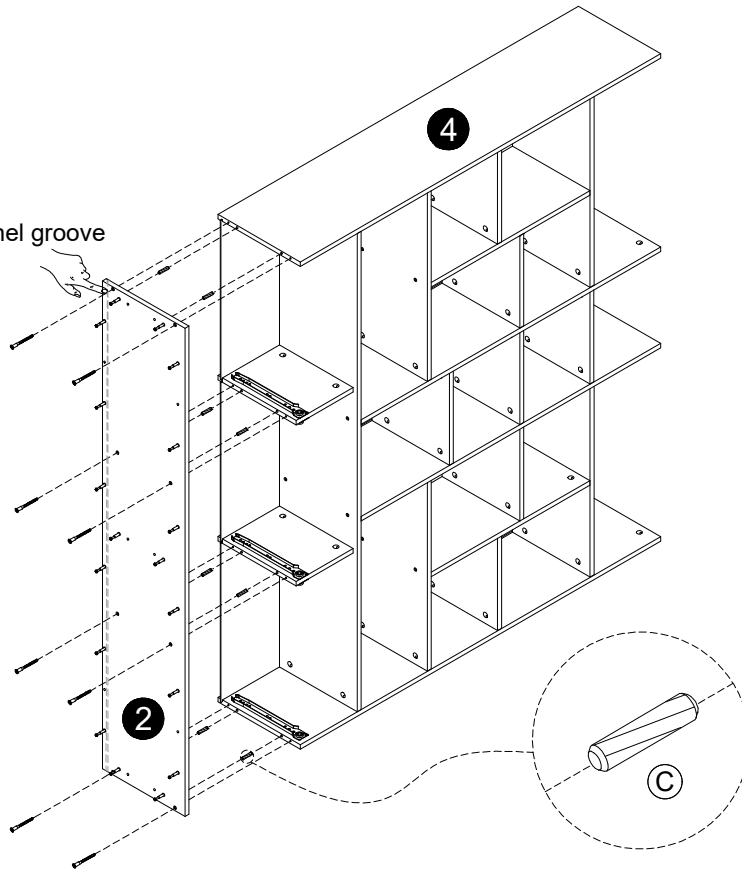
STEP 25

 **F** X8

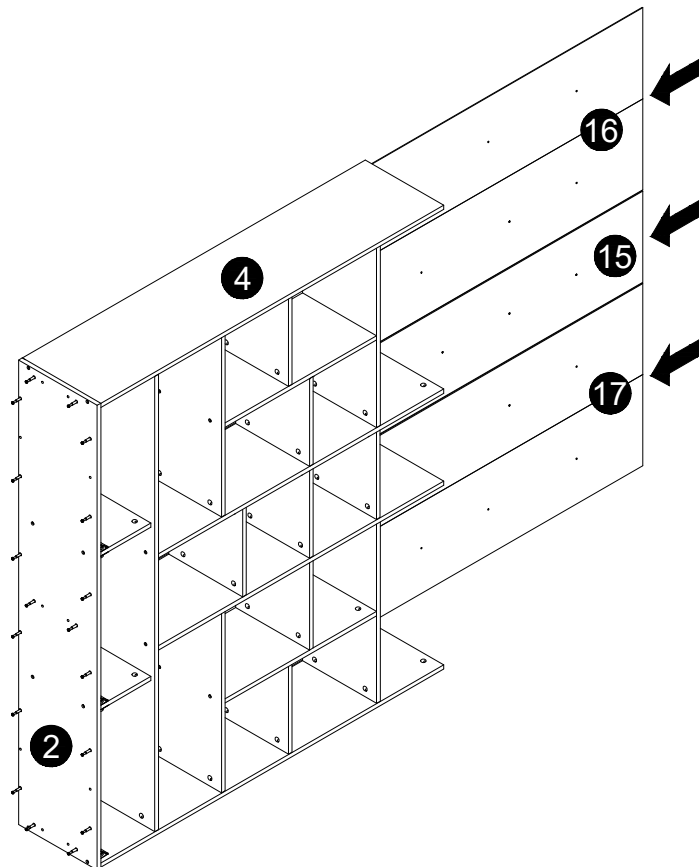
 **C** X8



Back panel groove

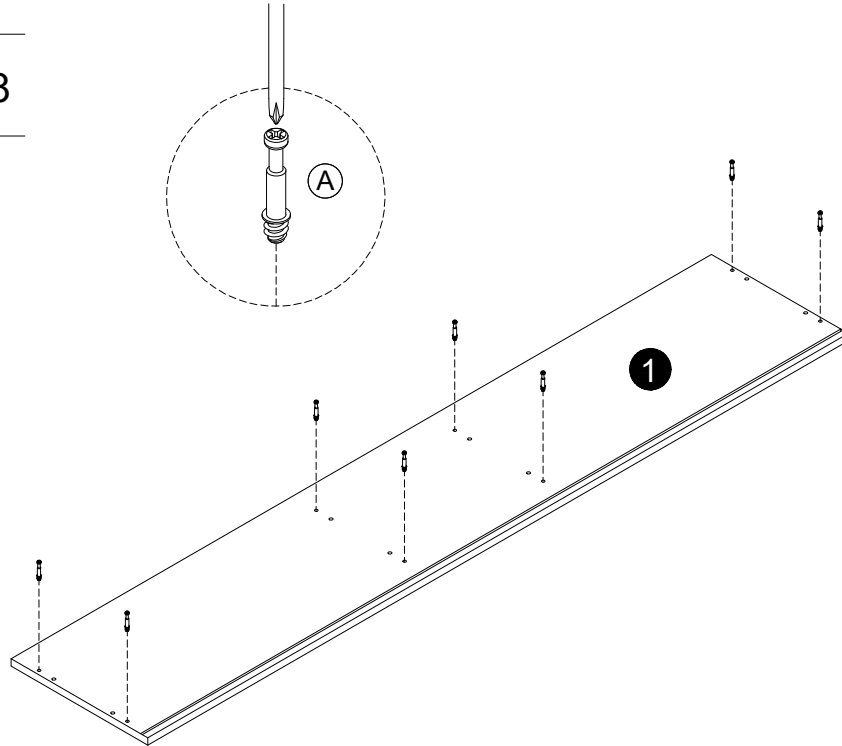


STEP 26



STEP 27

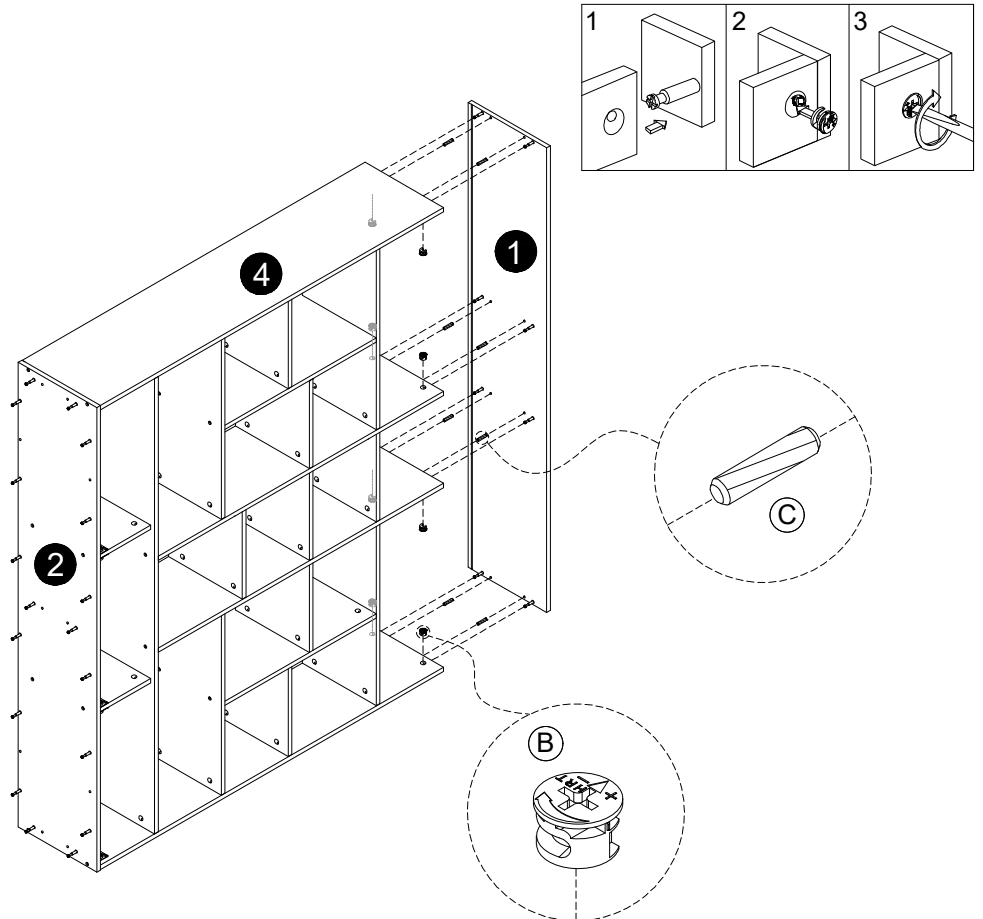
 **A** X8

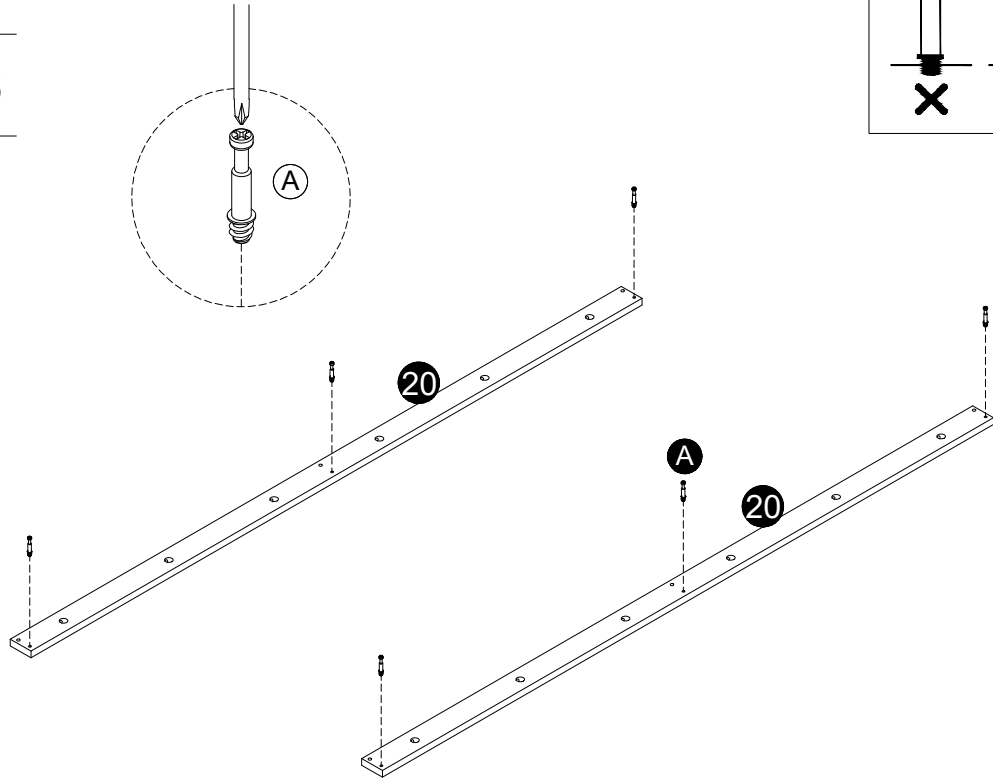
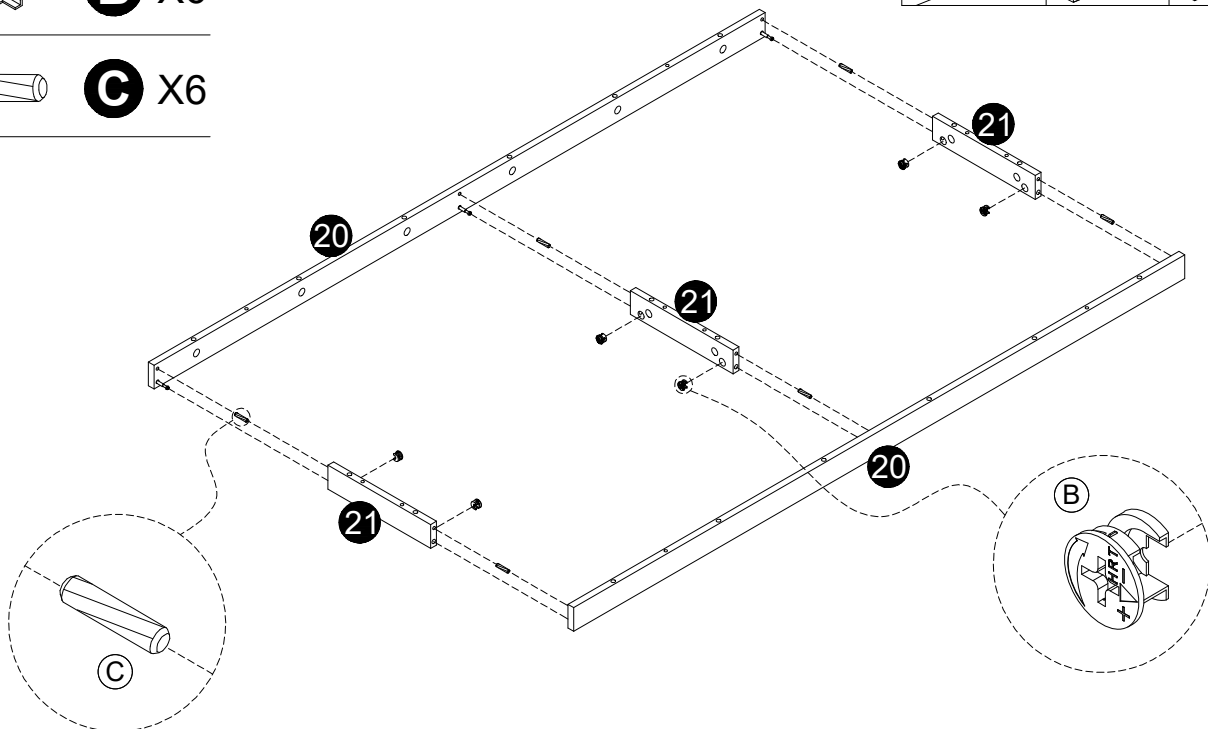
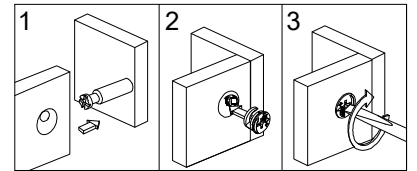


STEP 28

 **B** X8

 **C** X8



STEP 29 **A** X6**STEP 30** **B** X6 **C** X6

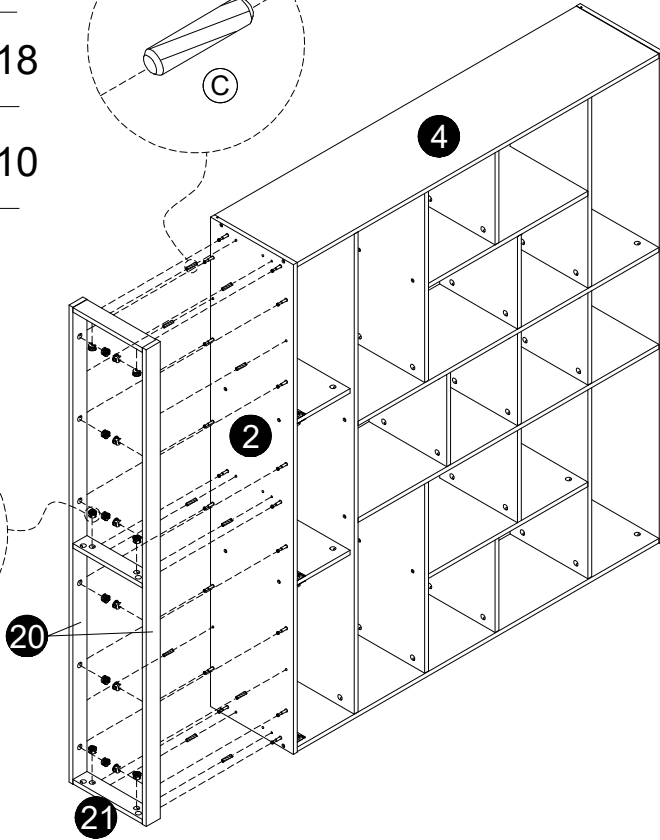
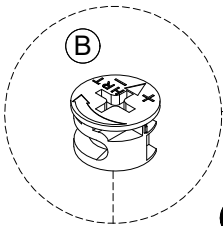
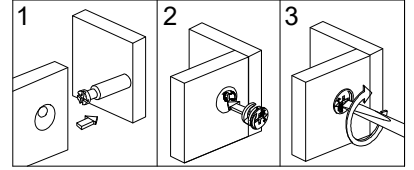
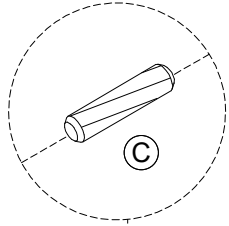
STEP 31



B X18

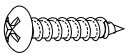


C X10

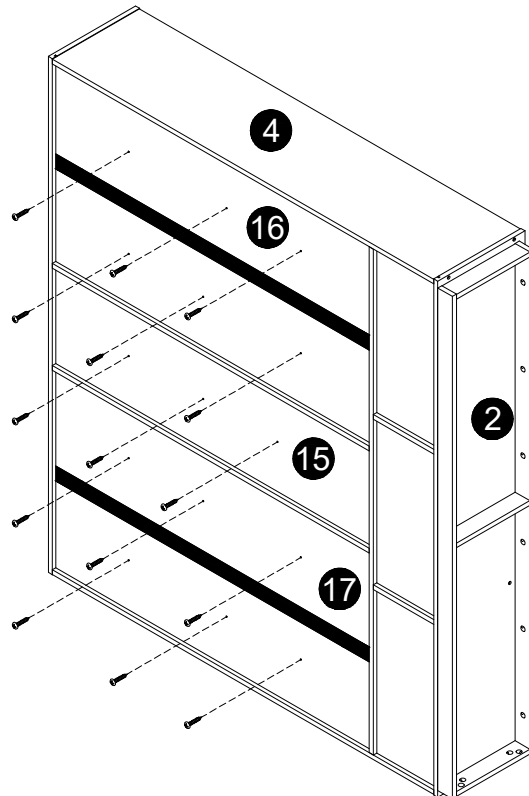
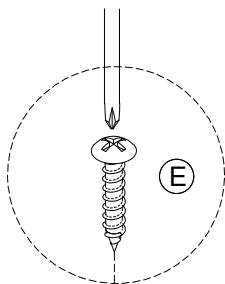


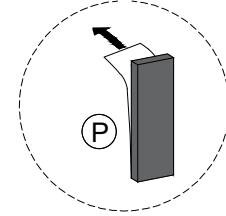
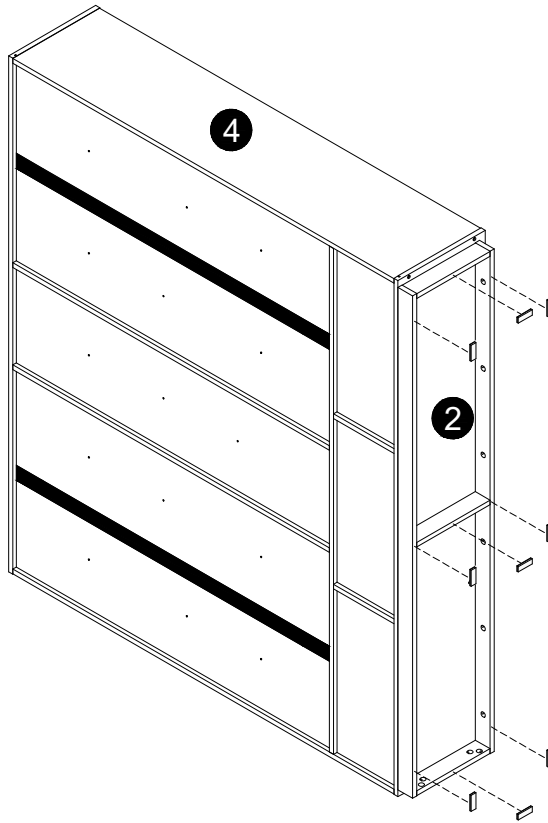
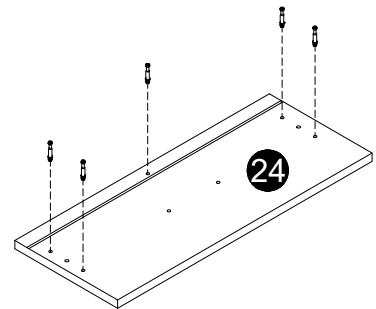
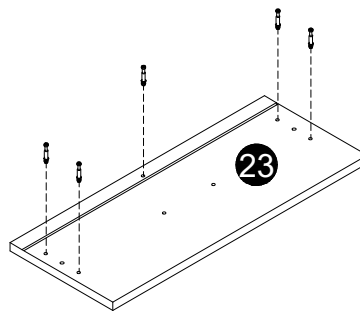
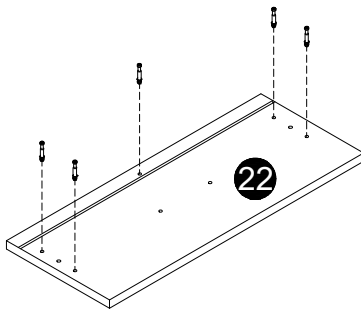
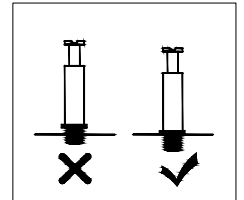
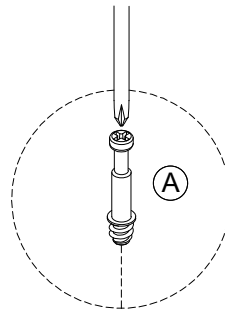
Turn 90°
to install the Next step.

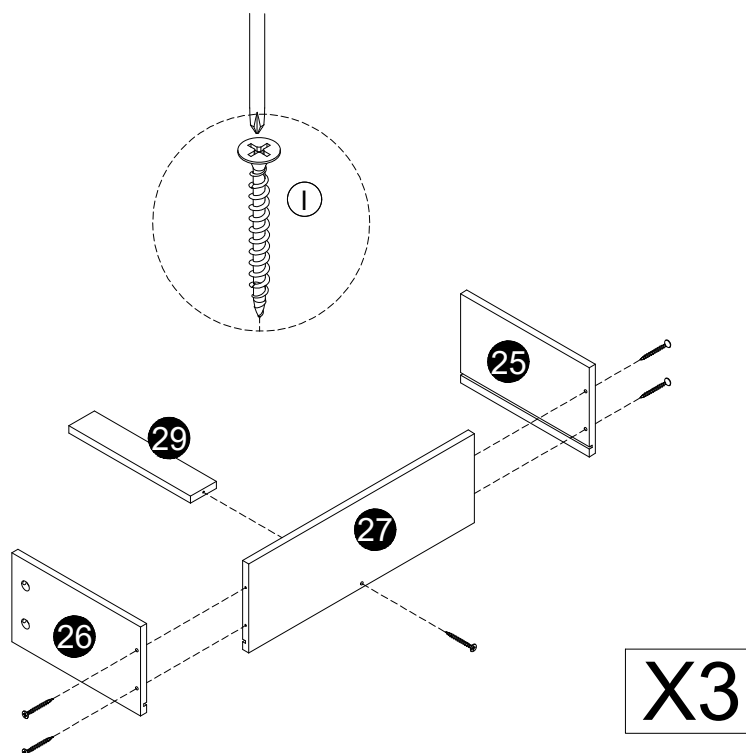
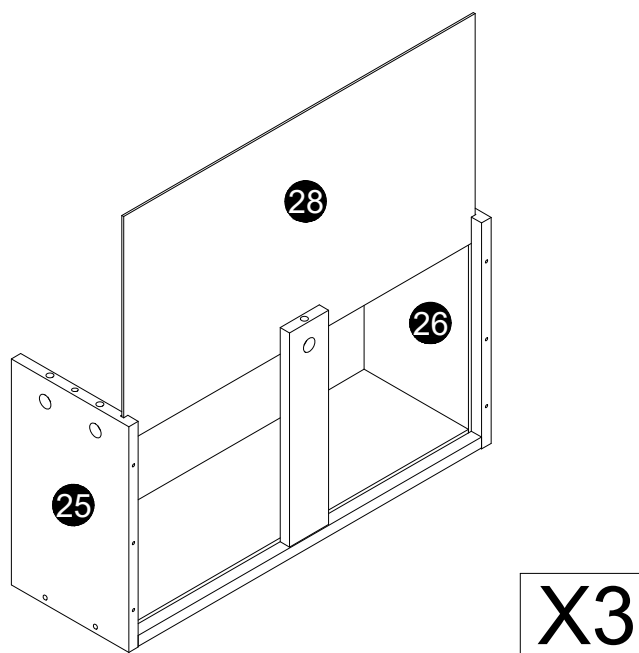
STEP 32



E X15



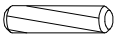
STEP 33**STEP 34**

STEP 35 **I** X15**STEP 36**

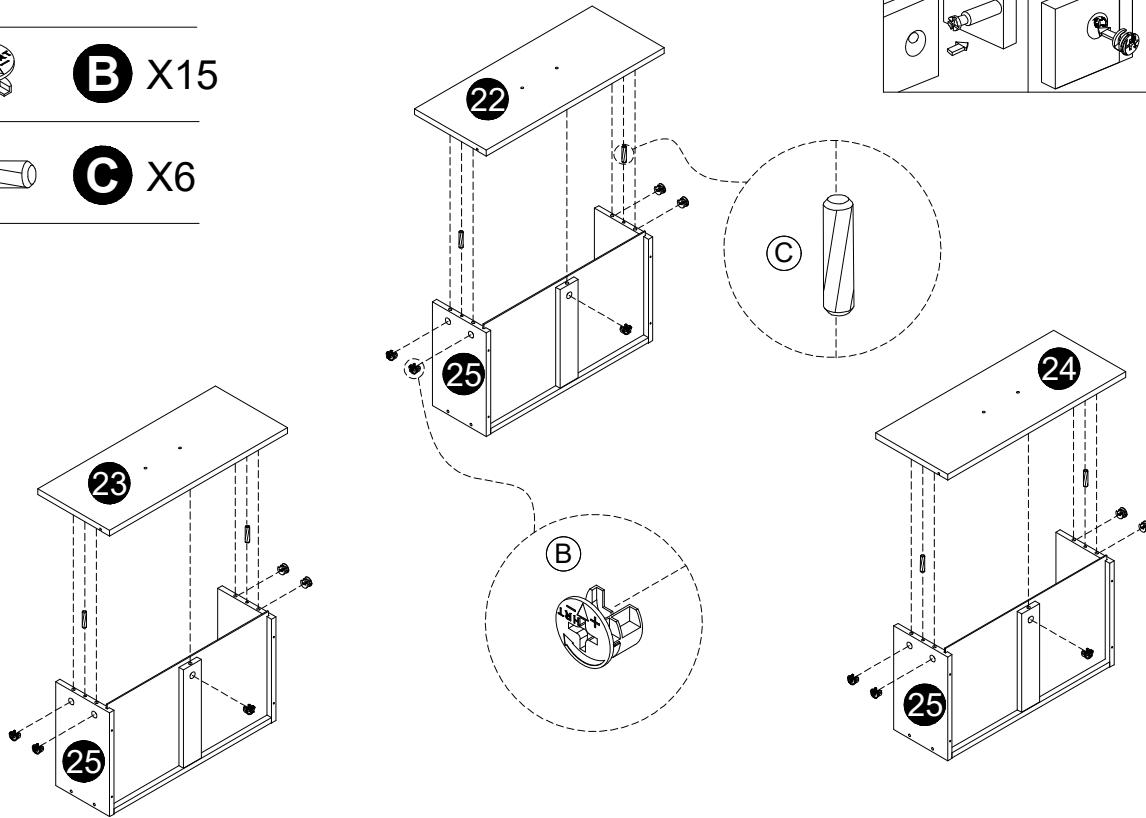
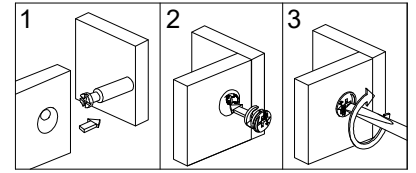
STEP 37



B X15



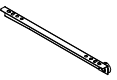
C X6



STEP 38



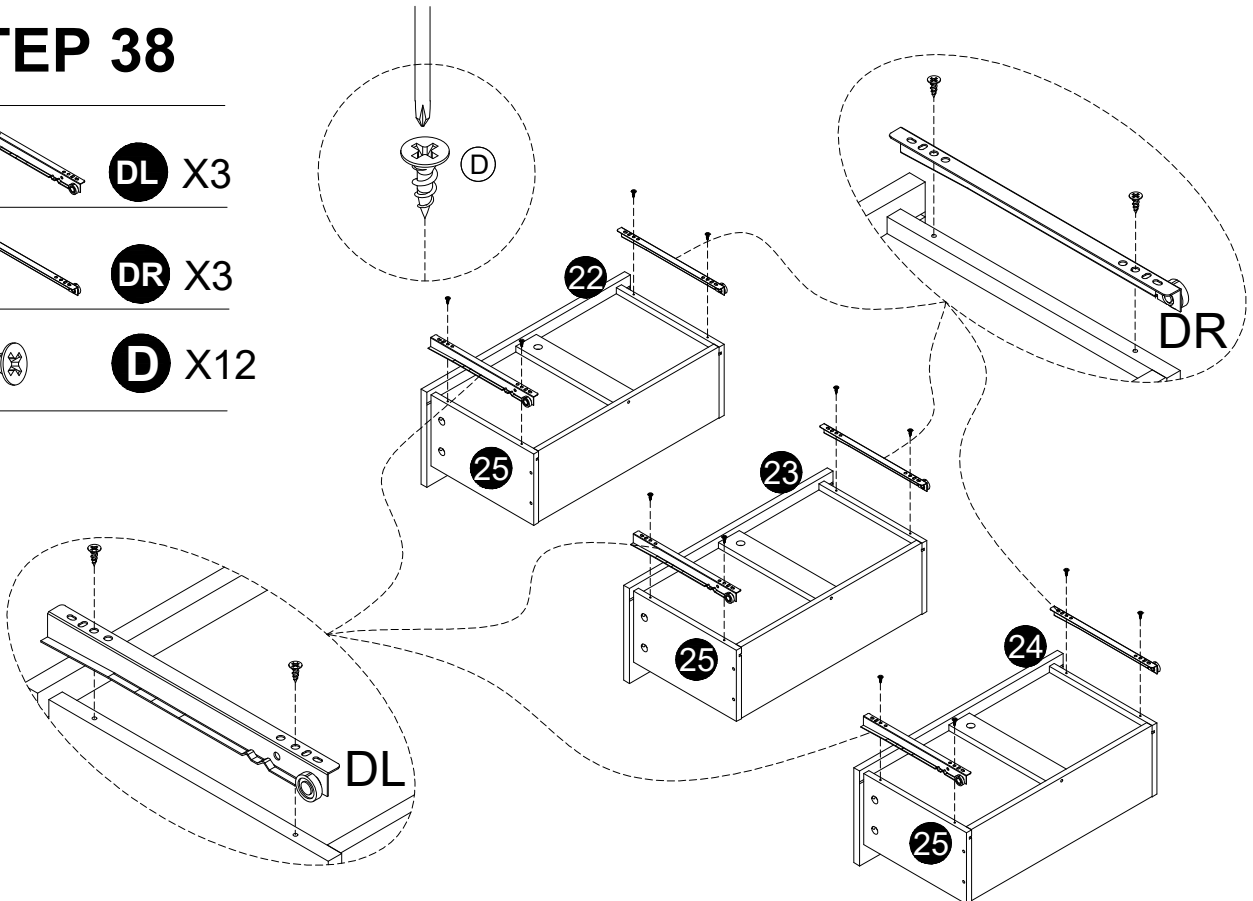
DL X3





DR X3

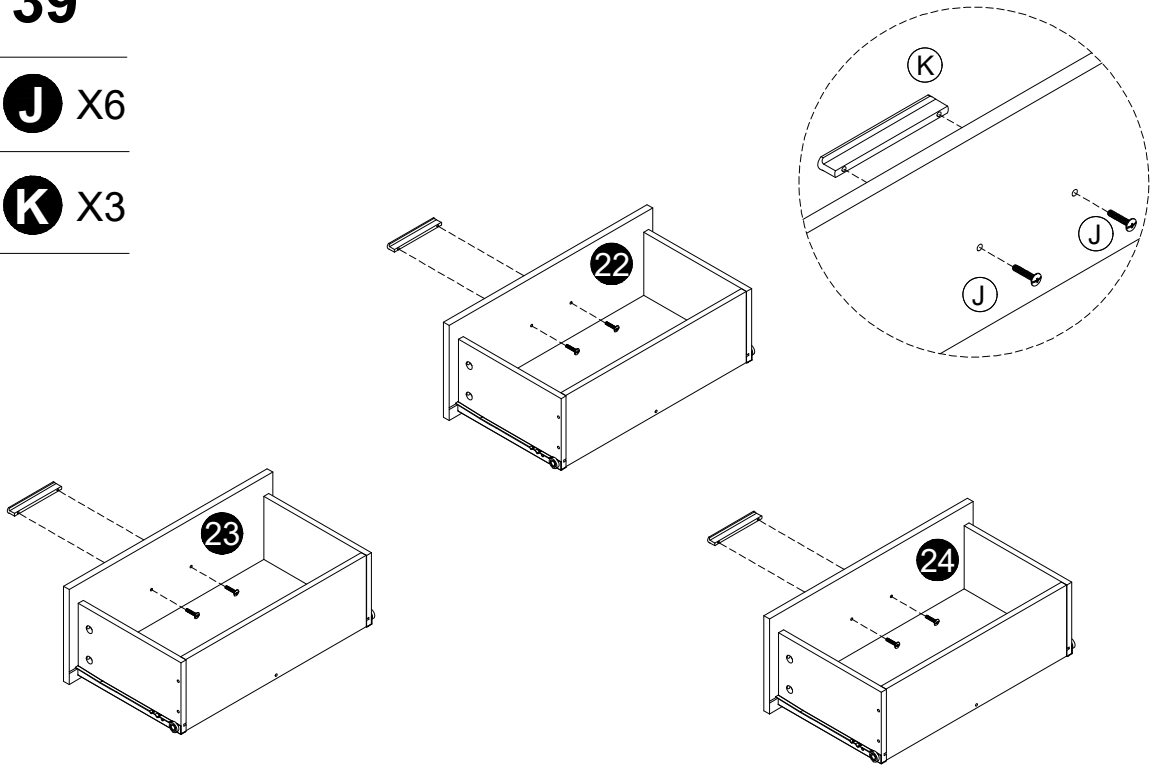


D X12

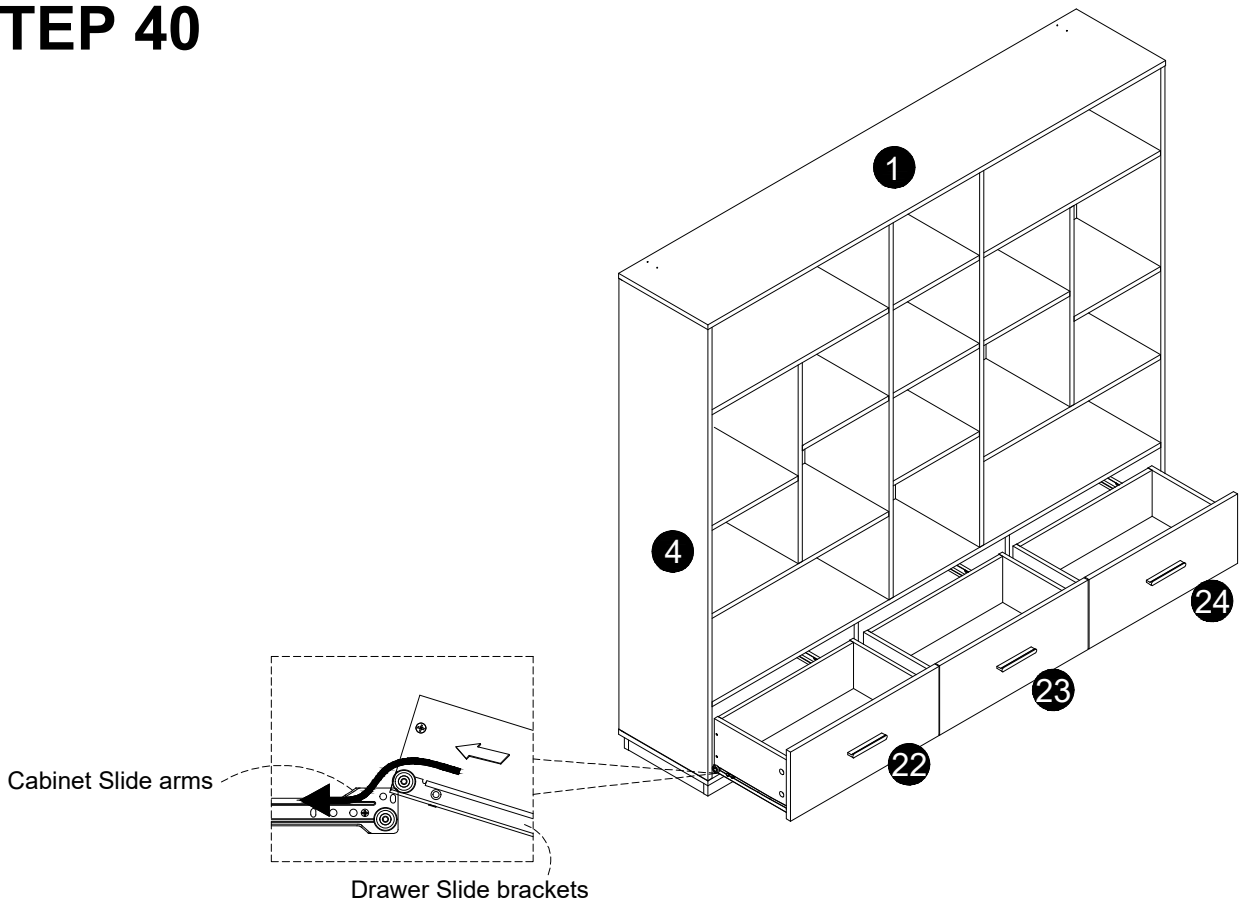


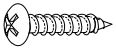
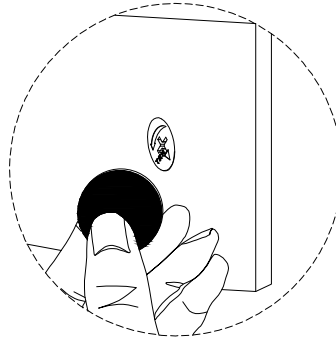
STEP 39

-  **J** X6
-  **K** X3

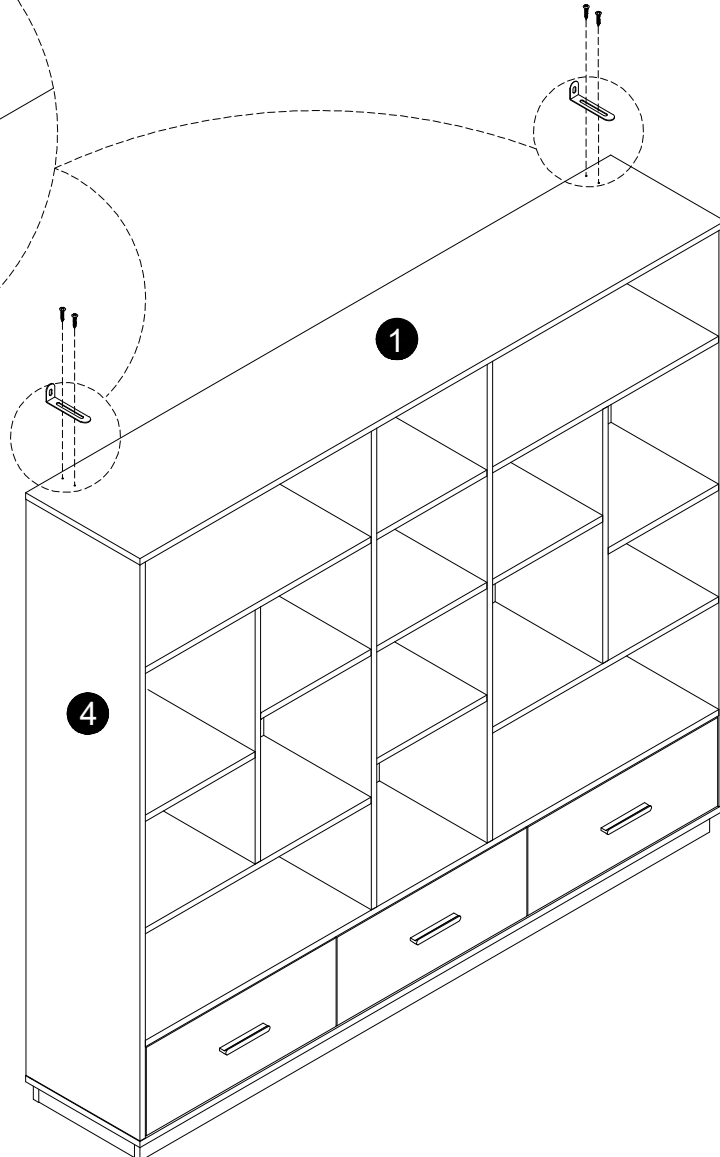
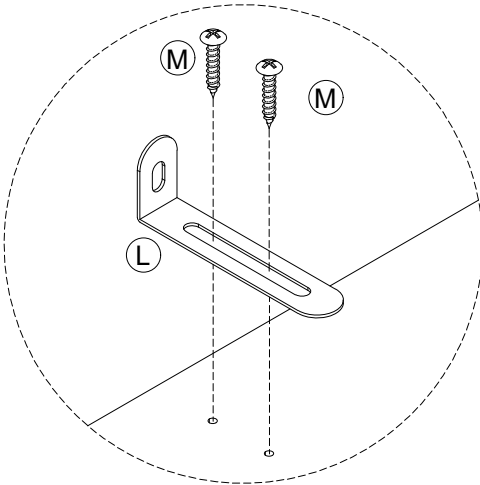


STEP 40




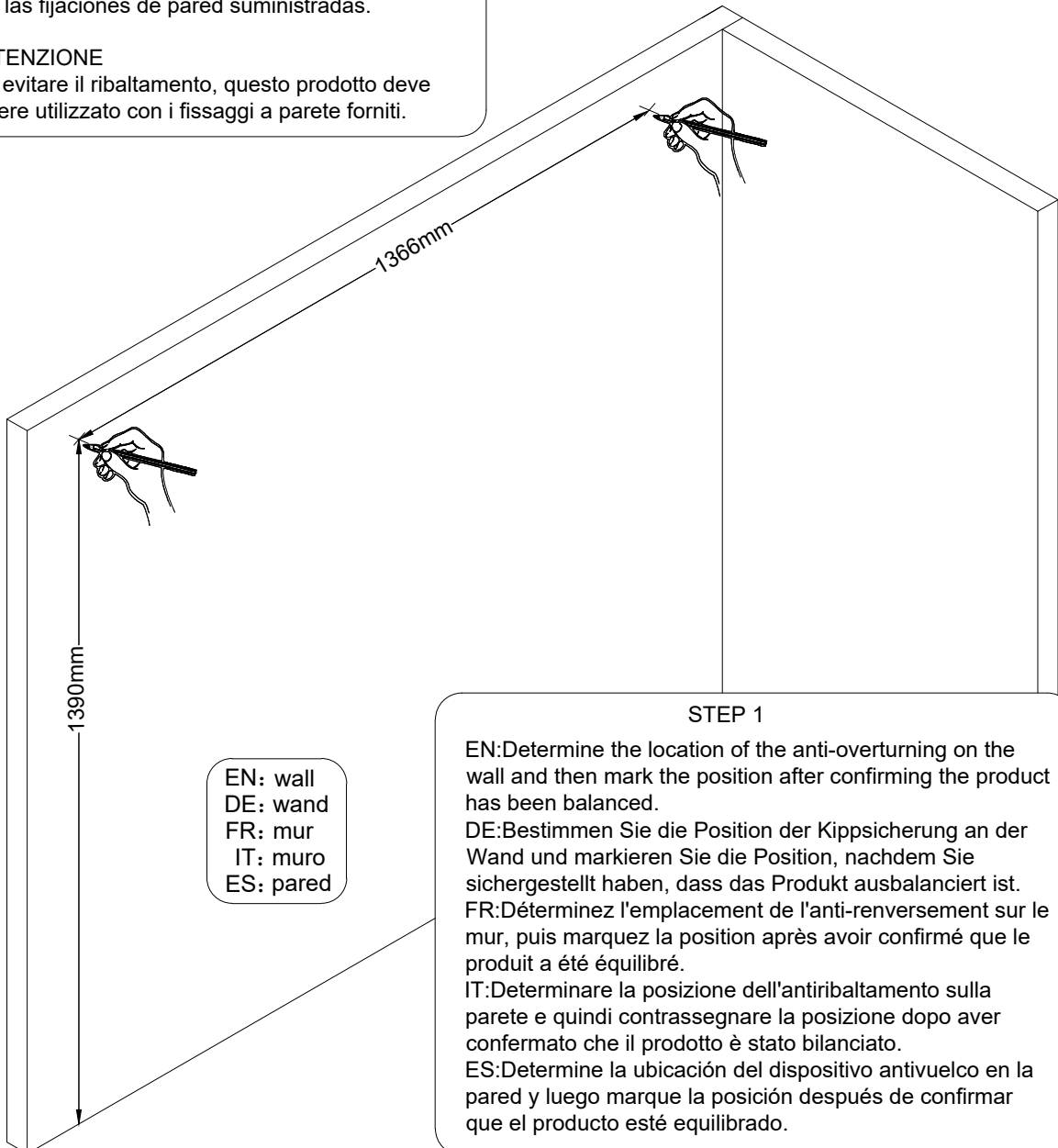
STEP 41**L** X2**M** X4**G** X79**H** X24**G** X79**H** X24

Note: For two-tone cabinets, match the stickers with the colors.

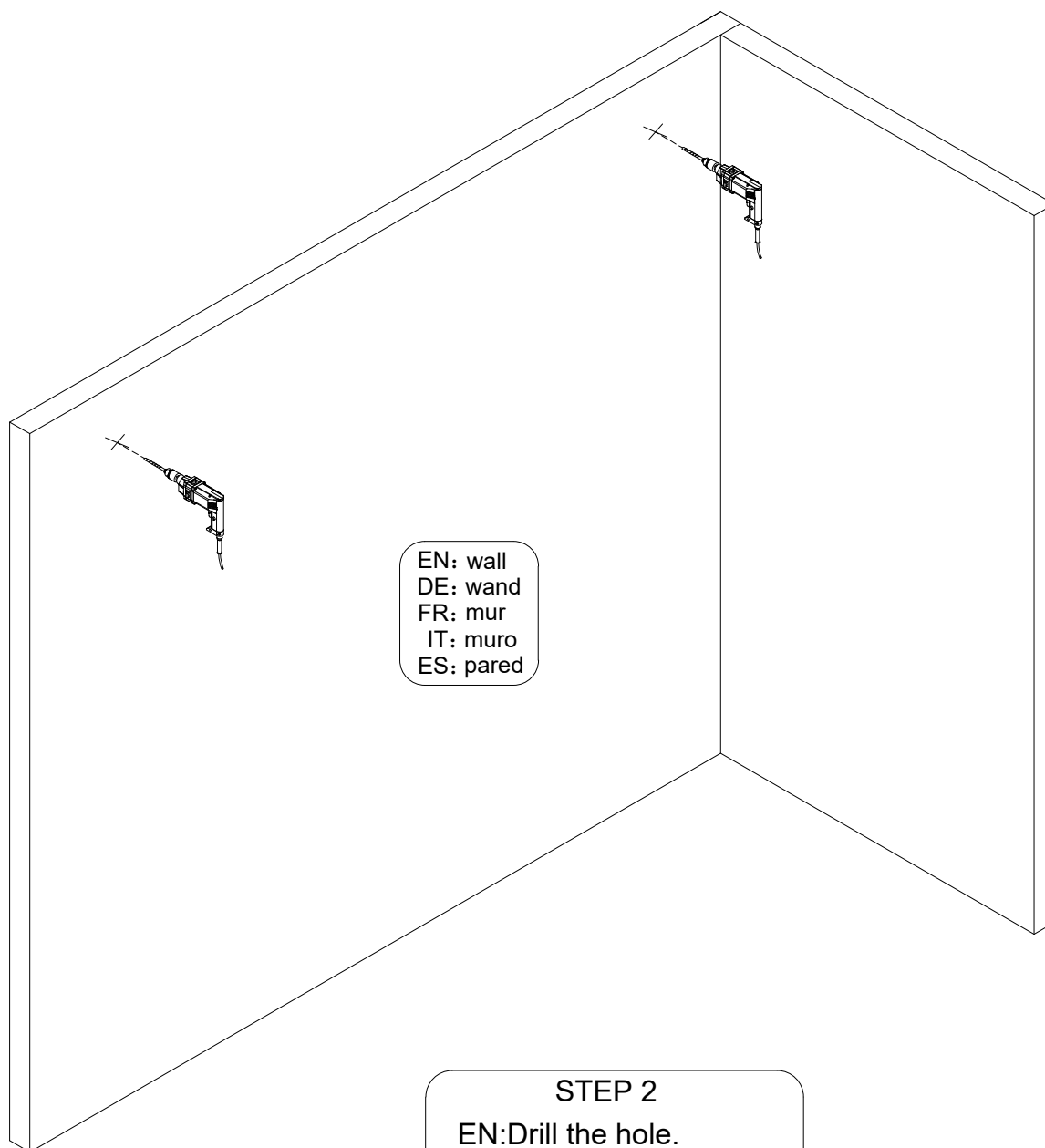


STEP 42

- EN: **WARNING** 
 In order to prevent overturning this product must be used with the wall attachment device provided.
- DE: **WARNUNG**
 Um ein Umkippen zu verhindern, muss dieses Produkt mit der mitgelieferten Wandmontagevorrichtung verwendet werden.
- FR: **AVERTISSEMENT**
 Pour éviter tout risque de basculement, ce produit doit être utilisé avec les fixations murales fournies.
- IT: **ADVERTENCIA**
 Para evitar vuelcos, este producto debe utilizarse con las fijaciones de pared suministradas.
- ES: **ATTENZIONE**
 Per evitare il ribaltamento, questo prodotto deve essere utilizzato con i fissaggi a parete forniti.



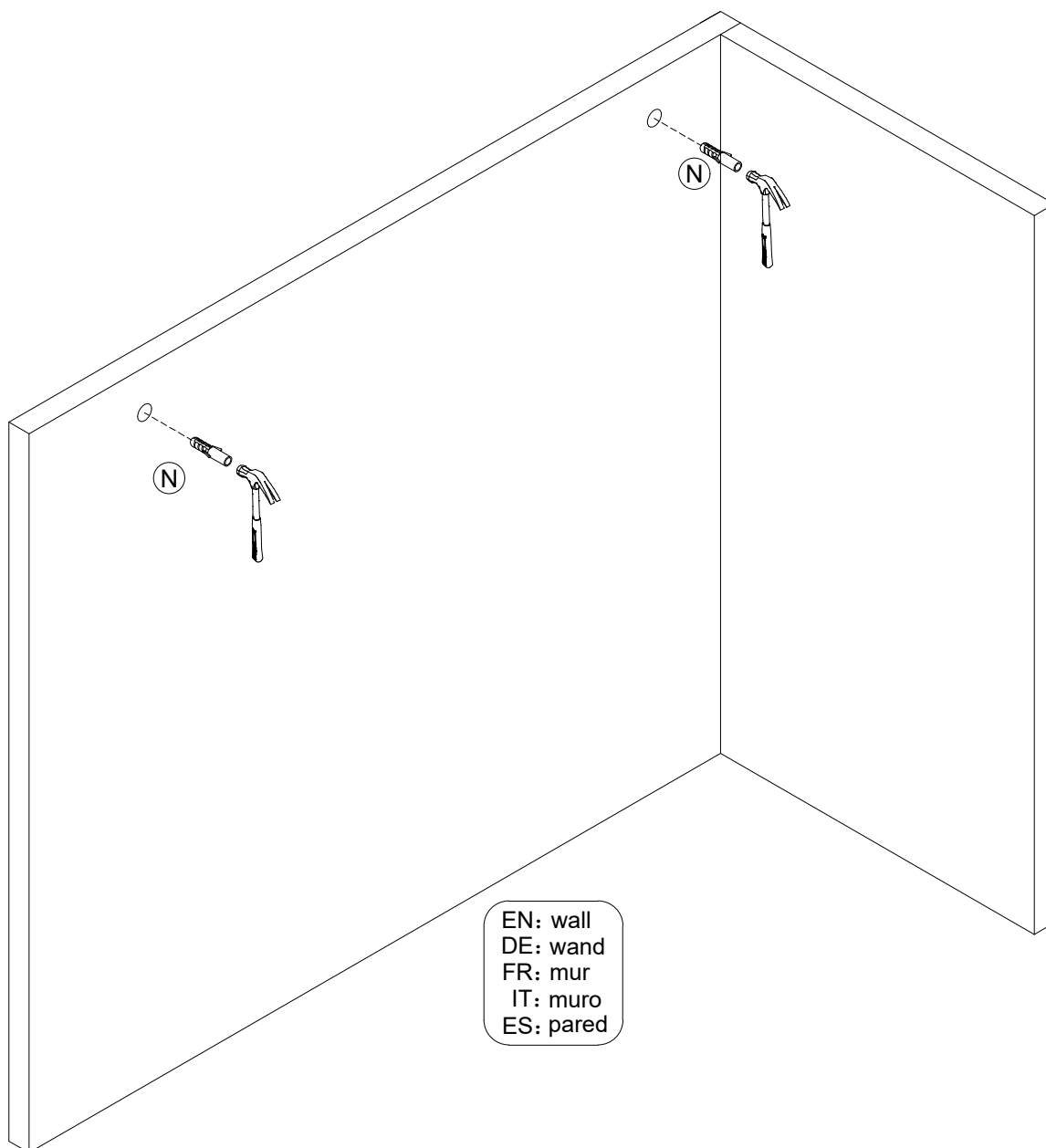
STEP 43



STEP 2

EN: Drill the hole.
DE: Bohren Sie das Loch.
FR: Forare il foro.
IT: Forare il foro.
ES: Perforar el agujero.

STEP 44



EN: wall
DE: wand
FR: mur
IT: muro
ES: pared

STEP 3

EN: Fixed the anchor on the wall.
DE: Den Anker an der Wand befestigen.
FR: Fixé l'ancrage sur le mur.
IT: Fissato l'ancoraggio al muro.
ES: Fijé el ancla en la pared.

STEP 45



STEP 4

EN: Use screw (O) to fix the pat L (L) on the wall.

DE: Gebrauch schroef (O) om de pat L (L) aan de muur te bevestigen.

FR: Utilisez la vis (O) pour fixer le pat L (L) au mur.

IT: Usa la vite (O) per fissare il pat L (L) al muro.

ES: Utiliza el tornillo (O) para fijar la pieza L (L) en la pared.

