
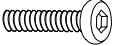
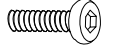




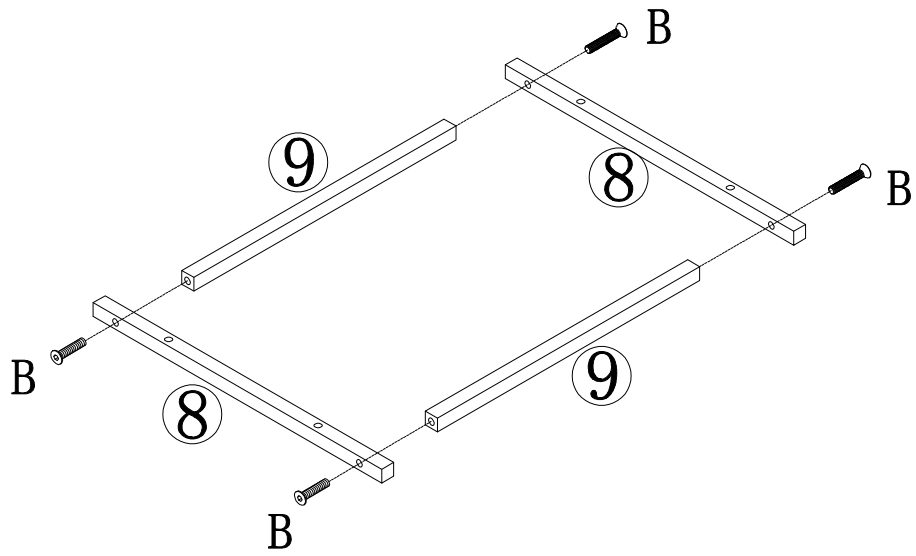



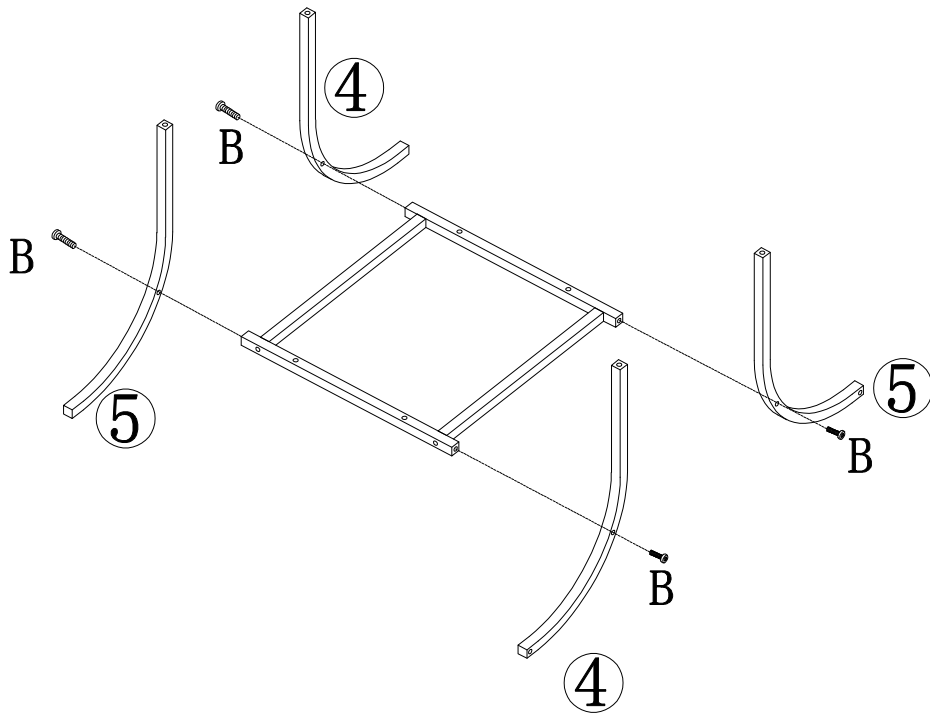
<p>A × 2</p>  <p>M6*40mm</p>	<p>B × 17</p>  <p>M6*35mm</p>	<p>C × 12</p>  <p>M6*25mm</p>	<p>D × 10</p>  <p>M6*10mm</p>
<p>E × 3</p>  <p>M7*40mm</p>	<p>F × 8</p> 	<p>G × 1</p>  <p>M4</p>	


1



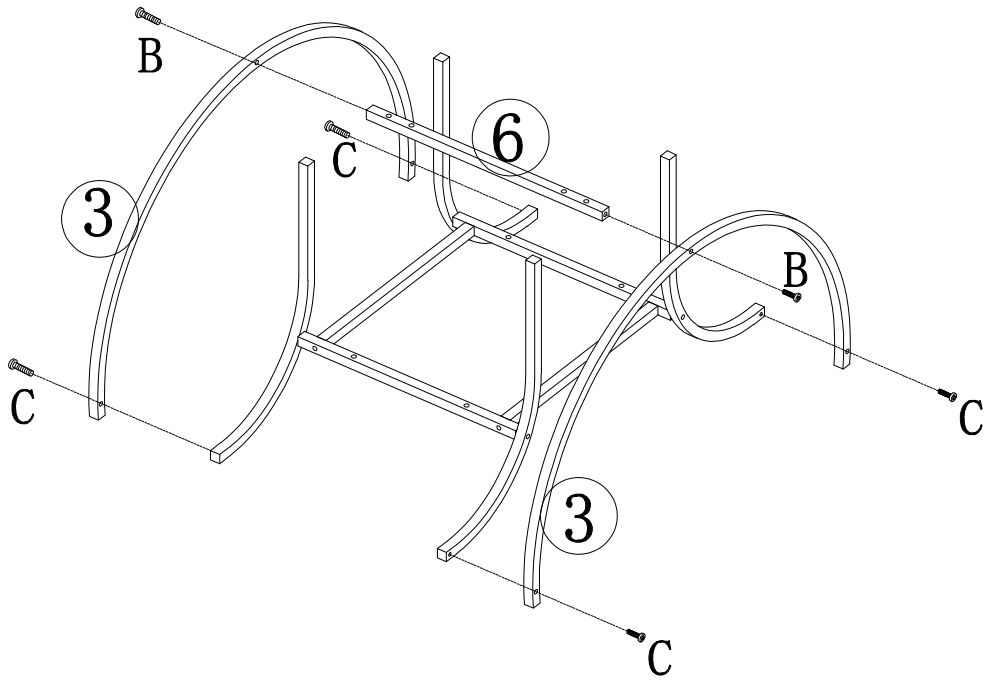
$B \times 4$ 
M6*35mm

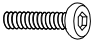
2



$B \times 4$ 
M6*35mm

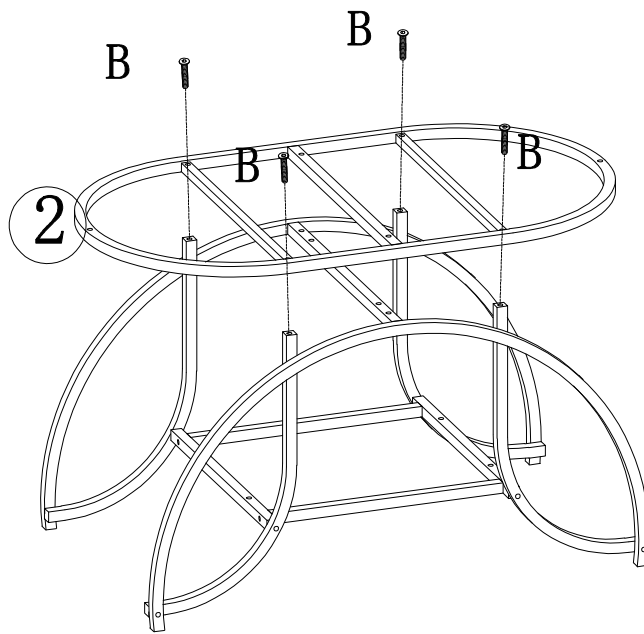
3

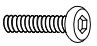


$B \times 2$ 
M6*35mm

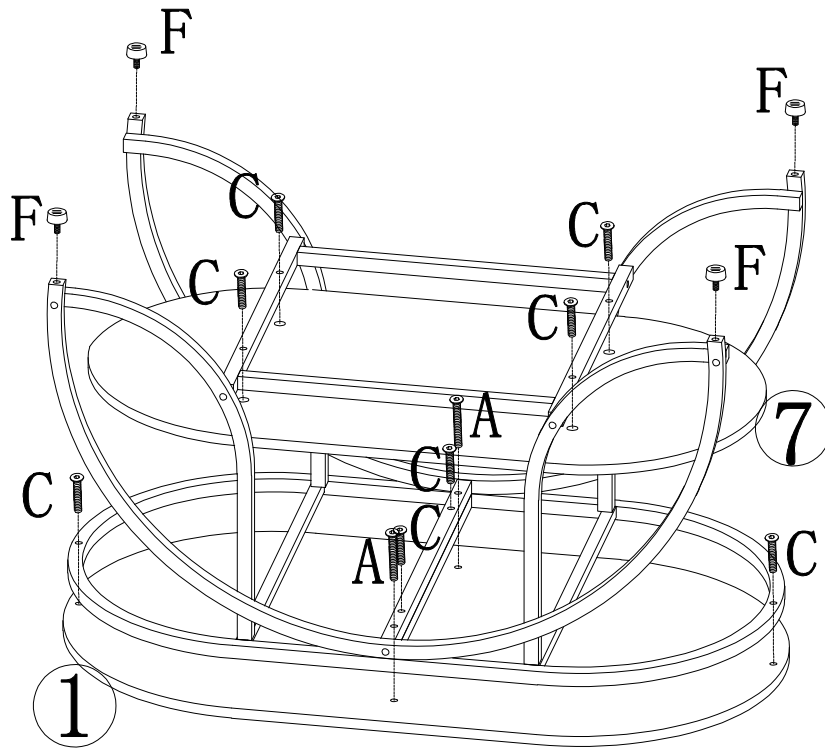
$C \times 4$ 
M6*25mm

4



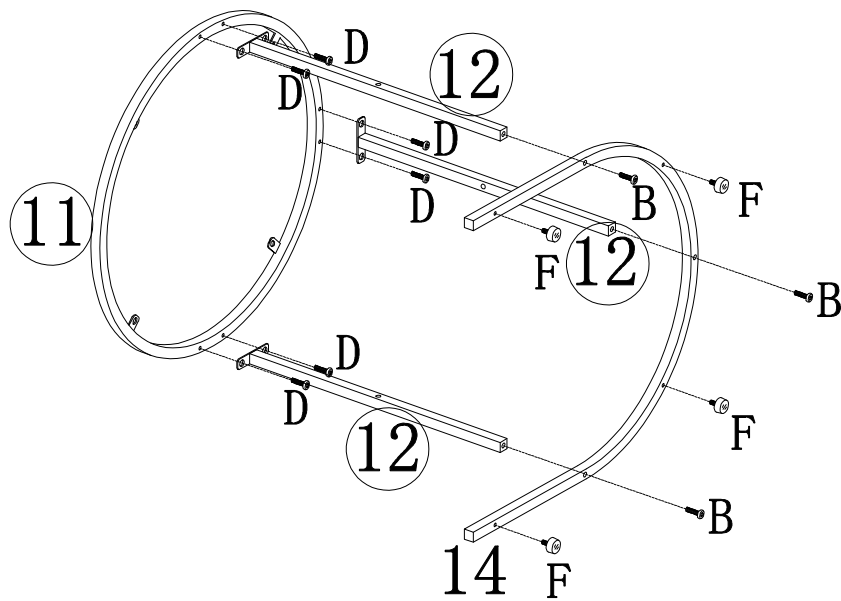
$B \times 4$ 
M6*35mm

5



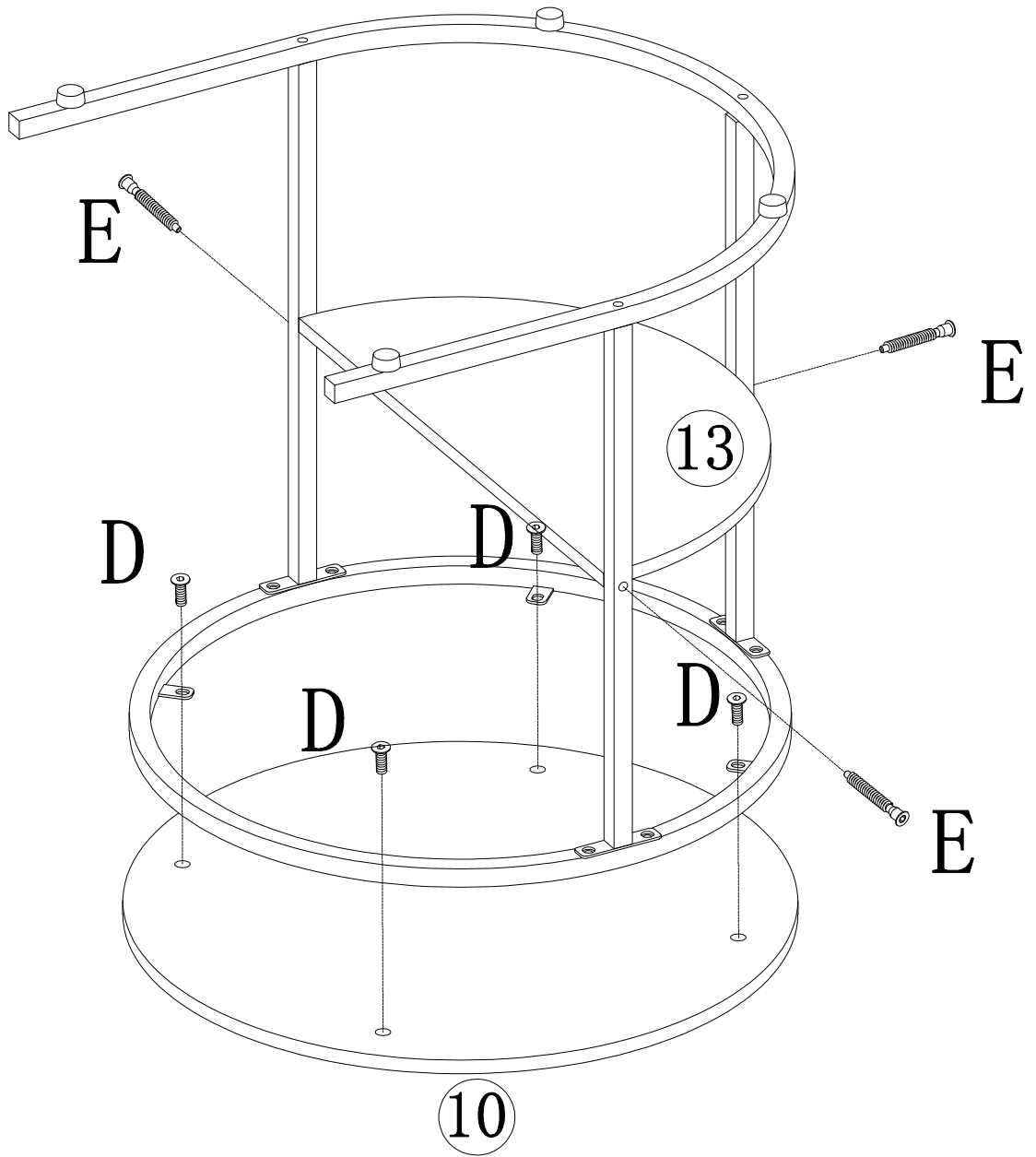
A × 2 M6*40mm	C × 8 M6*25mm	F × 4
------------------	------------------	-------


6

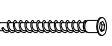


B × 3 M6*35mm	D × 6 M6*10mm	F × 4
------------------	------------------	-------

7



D × 4 
M6*10mm

E × 3 
M7*40mm