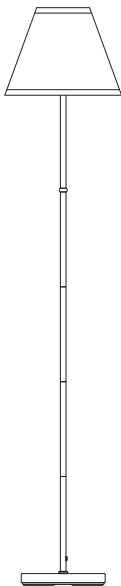


edishinē

Floor Lamp

[Instruction Manual]

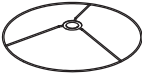

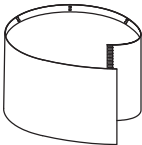





Please pay attention to the warning signs
Read the instructions with caution before operating
and keep it properly

CAUTION

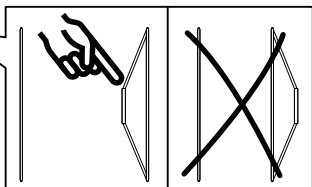
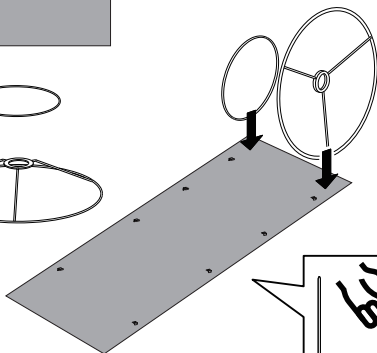
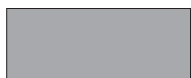
1. Before assembly, place all parts out on a clean flat surface and inspect each part for defects that may have occurred during shipping.
2. Inspect wire insulation for any cuts, abrasions or exposed copper that may have resulted during shipping. If there are any defects in the wire, DO NOT continue assembly. Please send an email to our Customer Service immediately.
3. Consult a qualified electrician if you have any electrical questions.
4. Never drape clothes over the lamp.
5. To reduce the likelihood of tipping over, we recommend placing the lamp behind furniture and keep children and pets away.
6. To prevent children from suffocating and choking, keep them away from packing materials.
7. Please keep this manual and hand it over when you transfer the product.

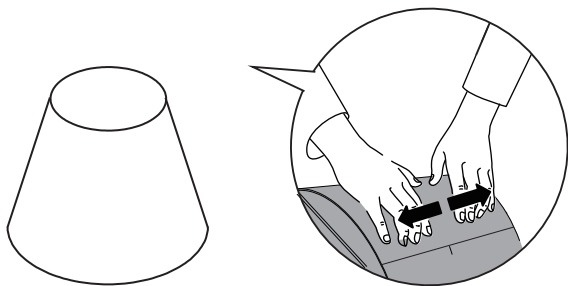
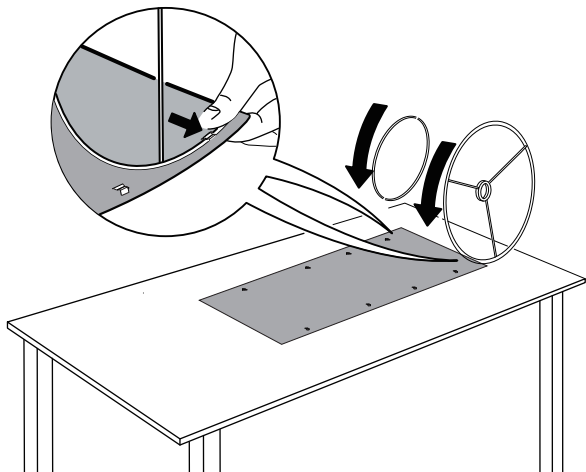
Packing List:

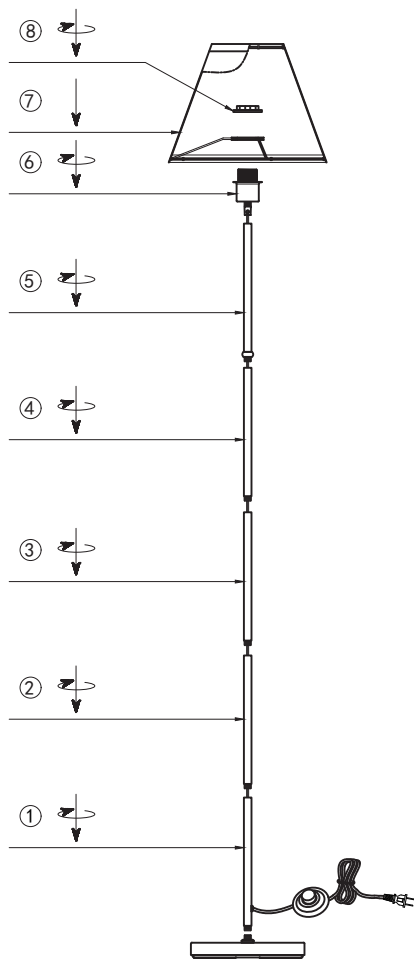
Part Number	Part Drawing	Part Describe	Quantity
①		Shade Lower Metal Ring	1
②		Shade Upper Metal Ring	1
③		Cloth Shade	1
④		Lamp Holding Ring	1

⑤		A60 LED Bulb	1
⑥		Floor Lamp	1

1







Specifications

- Product Height: 62 IN
- Base Diameter: 10 IN.
- Cable length: 78IN
- Materials: Metal , Linen
- Input Voltage: 120VAC 60Hz
- Max.load Power: LED Bulb 12W or Incandescent Bulb 60W
- Socket Type: Standard Medium E26

One Year Limited Warranty

Supported by our professional R&D team and QC team, we provide One Year Warranty for materials and workmanship from the purchase date. Please note that the warranty does not cover damage caused by personal misuse or improper installation.

Please attach your Order ID and Name so that our dedicated customer service team can help you better.