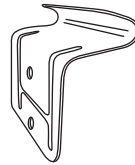
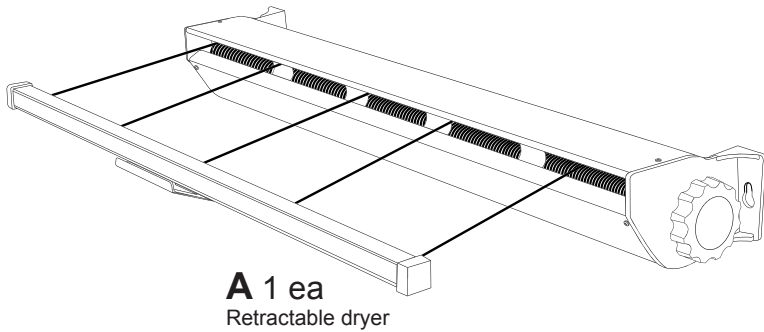


5-Line Retractable Dryer



Assembly Time:
Less than 1 hour

This product's intended use is for drying clothes

Tools Needed:
Drill, 3/16" drill bit, Phillips screwdriver or 10mm wrench

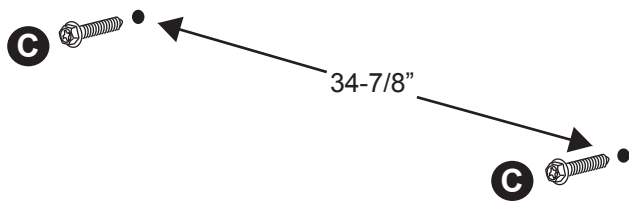
Installation Instructions:

WARNING: Keep out of reach of children. Long cords pose a strangulation hazard to young children. Ensure product is stable and loaded evenly.

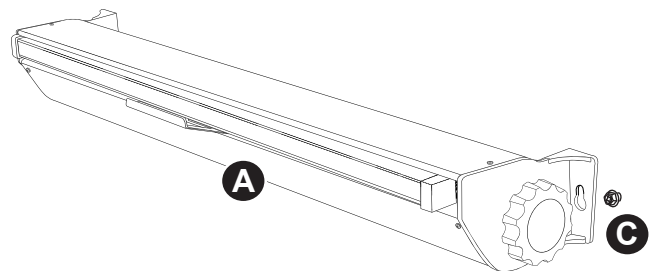
WARNING: This retractable dryer should be attached to a solid wall or directly into a wall stud on both sides. If a stud is not located at both mounting points, a solid board should be mounted into the studs first and the dryer mounted to that solid board.

NOTE: Please read all steps before beginning installation.

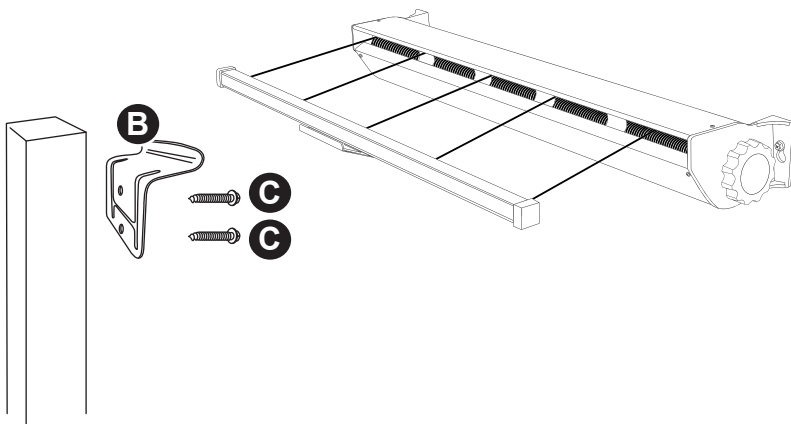
STEP 1. Decide where you want to set up your retractable dryer. The unit should be mounted on a solid wall and be in a location that you can install the bracket (B) on an opposing wall or post. Drill two pilot holes in the wall 34-7/8" apart with a drill and 3/16" bit (not included). Install two screws (C) into the holes and tighten with a Phillips screwdriver or 10mm wrench (not included) until the head is about 1/4" away from the wall surface.



STEP 2. Hang the retractable dryer on the screws (C). Finish tightening the screws (C) with a Phillips screwdriver or 10mm wrench.



STEP 3. Install the bracket (B) to either an opposing wall, or post. If installing on a post make sure the post is set firmly into the ground, preferably using concrete as a base (same method used for fence installations). Install with two screws (C). The position of the bracket should be at the same level as the line bar on the unit and placed in the middle of centerline perpendicular from the center of the unit. It needs to be 34 feet or less away from the unit.



NOTES:

1. This unit can be installed onto the walls of a house, garage, or to a wooden post. Once installed the line bar can extend out up to a maximum distance of 34 feet.
2. This unit should be installed at a height of 6 feet above the ground or floor and must be level.
3. The lag screws supplied are for dry wall or wood mounting only. If mounting to masonry walls you will need to purchase additional mounting hardware at a hardware store.
4. When attaching the dryer make sure the lag screws are perfectly straight and centered with the position on both end brackets. If this is not the case, then over time the tension could cause damage or cracking to the plastic casing of the end brackets.
5. Do not over-tighten the lag screws. If the lag screws are left "snug" or slightly loose the entire unit can be removed and relocated (in bad weather, for example), without having to loosen the screws.

5-Line Retractable Dryer

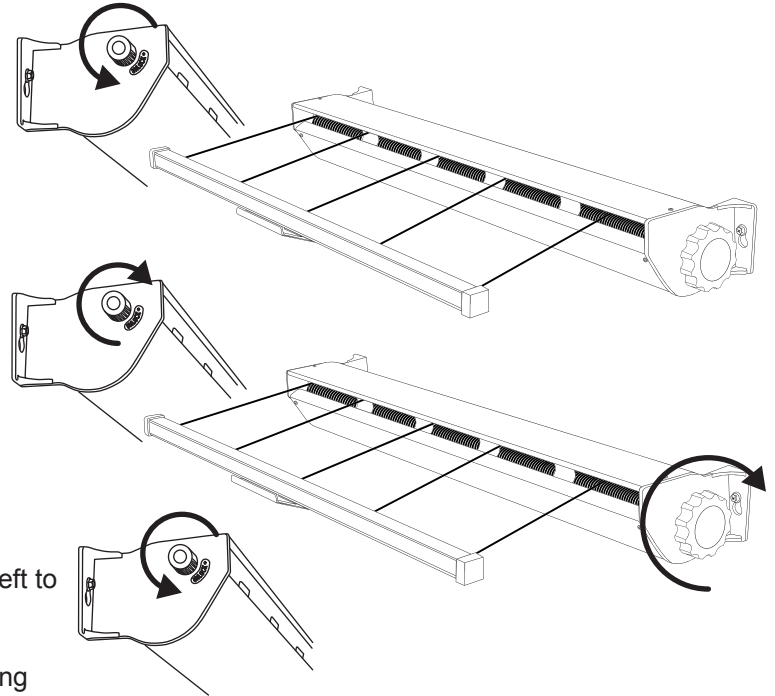
Operational Instructions:

USAGE:

STEP 1. Make sure the small knob on the left side is in the unlocked position (counter-clockwise).

STEP 2. Hold the line bar and walk to the receiver bracket. Insert it into the bracket.

STEP 3. Lock the lines firm by turning the small knob on the left side back to the lock position (clockwise), then turn the big knob on the right to tighten the lines as desired.



STORAGE:

STEP 1. To return lines to unit, turn the small knob on the left to the unlock position (counter-clockwise). **DO NOT FORCE.**

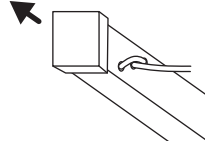
STEP 2. Remove the line bar from the receiver bracket using both hands.

STEP 3. Face the unit and stay centered with the unit. While holding the line bar firmly with both hands and at waist level, walk straight toward the unit. Like a window shade, the lines will return properly. You may have to move from side to side very slightly to keep the lines centered with the unit as they retract into the unit.

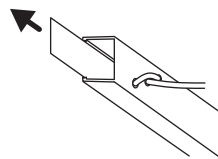
HOW TO ADJUST THE CLOTHESLINE:

STEP 1. Extend the lines with the line bar placed into the receiver bracket. Lock the lines and tighten just as though you were going to hang clothes.

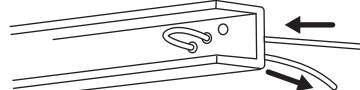
STEP 2. Remove the plastic cap from one end of the line bar.



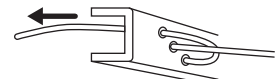
STEP 3. Slide the metal strip out of the line bar.



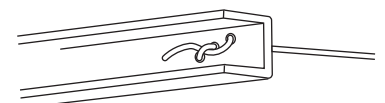
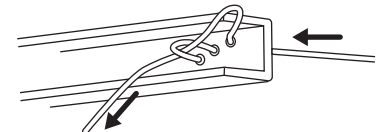
STEP 4. Remove the line you want to tighten from the holes in the line bar, (except the center hole) then insert the end of the rope through the lower left hole. Pull the main clothesline tight, leaving the loop in the end of the line. Do not pull the loop tight.



STEP 5. Pull the end of the line through the upper right hole as shown.



STEP 6. Pull the end of line through the loop, between the center and lower holes until tight.



IMPORTANT:

Secured knot **MUST** look like the picture above, to make certain the clothesline is tight. Repeat the procedure for each line you want to tighten.

DO NOT try to tighten more than one line at a time.