

Important information to read before starting the assembly.
Keep this information for future reference.



IMPORTANT WARNINGS

Risk of serious injuries if the wall bed tips over.

To prevent wall bed from tipping over, mount it permanently to the wall.

Only a qualified person* must carry out the installation and any possible adjustment of the wall bed (including disassembly). If the wall bed is not firmly mounted (anchored) to the wall, it might tip over and cause serious injuries to the installer, users of the bed as well as the people near the bed.

The choice of wall anchoring depends on the type of wall. Use wall anchors suitable for the wall material.

* **Qualified person:** it is necessary to have a good understanding of the wall structure where the bed is anchored, including the positioning of the wall studs and structural components in the case of a wood or metal structure. **If you do not have the necessary skills**, make sure that the installation is done by someone who has the qualifications and required knowledge. When you choose the installer, make sure to comply with all applicable regulations in the province, state or country where the furniture is installed.

Every time the bed is used, the owner should make sure that the anchors are strong and show no signs of weakening (for example if you feel that the anchor screws are moving when pulling on the cabinet of the bed). Do not use the wall bed if the cabinet moves and do not open the bed if you are not sure that it is firmly attached to the wall, because it could tip over causing serious injuries. When in doubt about the anchoring, please stop using the bed immediately and have it inspected by a professional* or contact us.

We are released from any responsibility and will void the warranty if the installation or the anchoring is not done according to the recommendations included in this instruction manual. We and our distributors (and our respective officers, directors, agents and servants) shall not be liable or obligated in any manner for any direct, punitive, exemplary, special, indirect, incidental or consequential damages of any kind, regardless of the form of action, whether in contract, tort, negligence, strict product liability or otherwise, arising out of or in connection with improper anchoring of the bed or non-compliance to the anchoring procedure of this document.

IMPORTANT: BEFORE STARTING ASSEMBLY

Be sure to confirm the following information:

- 1. The installer has the qualifications * and required knowledge.**
- 2. Only wall anchor screws for wood-frame walls are provided with this bed.** See anchor requirements and installation notes provided in the instruction manual, according to the type of wall, and use the appropriate anchors such as described in this manual.
- Your bed can hold a maximum distributed weight of 1000 lb (455 kg), including the weight of the mattress.
- Maximum thickness of mattress: 10 in (25.4 cm), and must stand in vertical position without sagging.
- The bed will not stay open without the weight of the mattress which must be between: 60 lb (27 kg) and 90 lb (41 kg).
- Minimum ceiling height requirements for installation: 85 in (2.16 m).
- It is recommended to assess the structural integrity of the floor and wall and to make sure that the wall anchoring devices can withstand the forces generated. More specifically, before installing the wall bed, it is necessary to verify that the floor and the wall on which you want to install the bed are flat and have no structural damage that could affect the installation of the wall bed or its anchoring to the wall. Do not install the bed on weakened or rotten structures.
- It is necessary to ensure that wall anchors of the bed can withstand forces generated. The value of the holding power (Fh) of each anchor should be 630 Newtons (142 lbf).

If the wall bed is not installed properly, the latter might close unexpectedly or could open involuntarily.
In addition, if the wall bed is installed incorrectly, one of its structural components may break and fall off.

**THANK YOU FOR CHOOSING A OUR PRODUCT.
YOUR TOTAL SATISFACTION IS OUR #1 PRIORITY.**

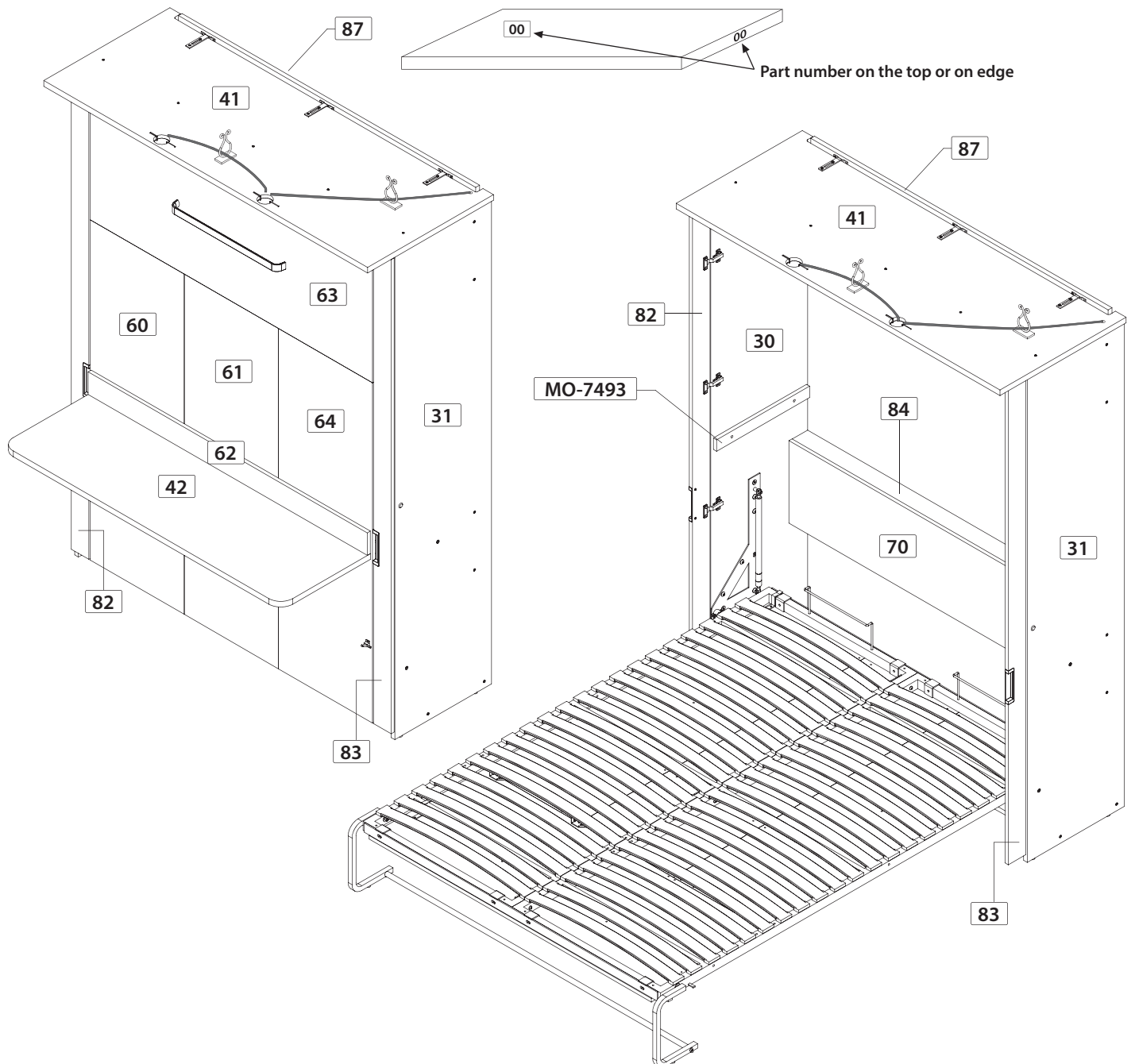
Customer Service and warranty information

Should you have a problem or need more information concerning the warranty, **do not call to the place of purchase.**
Please call our customer service department for immediate assistance.

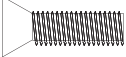
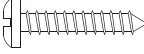

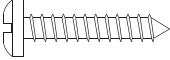
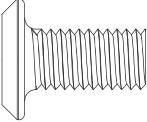
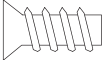
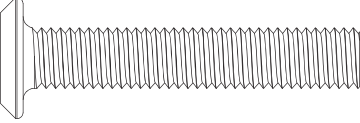
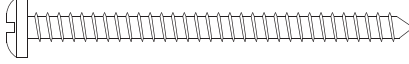
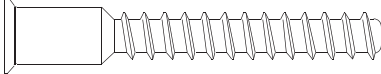
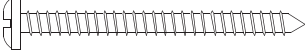
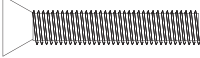
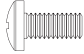
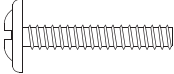
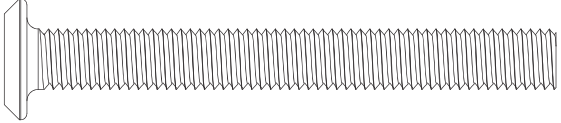
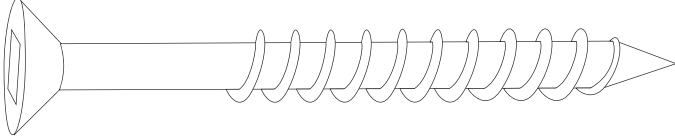
Please have your assembly instruction manual on hand when you call. Our products are warranted to the original purchaser against defects in material or workmanship in the furniture. Defects as mentioned in this warranty refer to any imperfections which may impair the use of the product. Our warranty is expressly limited to the replacement of furniture parts and components for ten years following the date of purchase. We will replace any part that is defective. This warranty applies under conditions of normal use. Our furniture products are not intended for outdoor use. The warranty does not cover defects caused by improper assembly or disassembly, defects occurring after purchase due to product modifications, intentional damage, accident, misuse, exposure to the elements and labor or assembly costs. We reserve the right to request proof of purchase to document a warranty claim. In no event shall we be liable for incidental or consequent damages resulting from the misuse of the product. This warranty is not transferable and is valid only in Canada and the United States excluding Alaska, Hawaii and Puerto Rico.

PARTS

CODE	QTY	CODE	QTY	CODE	QTY	CODE	QTY
30	1	60	2	70	2	87	1
31	1	61	1	81	1	MO-7493	2
40	1	62	1	82	1		
41	1	63	1	83	1		
42	1	64	1	84	1		

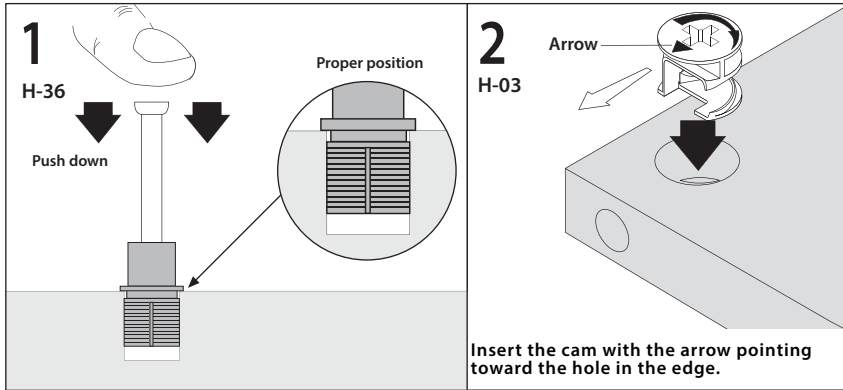


▶ ACTUAL SIZE

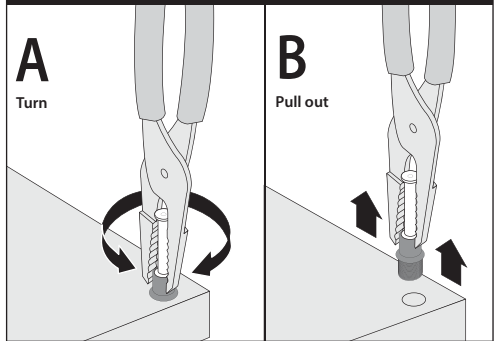
CODE	QTY	CODE	QTY
KI-932-I  5/8" (16 mm)	14	VR-210  5/8" (16 mm)	2
KI-993-L  5/8" (16 mm)	4	VR-211  3/4" (19 mm)	10
KI-993-M  5/8" (16 mm)	12	3500-400350  1/2" (13 mm)	48
KI-993-N  1 3/4" (44 mm)	8	VR-215  2" (51 mm)	8
VC-204  2" (51 mm)	17	VR-462  1 1/2" (38 mm)	5
VF-1013  1" (25 mm)	6	VF-1065  3/8" (10 mm)	4
VM-601  3/4" (19 mm)	2		
KI-993-O  2 3/4" (70 mm)			6
VR-1047  3 1/2" (89 mm)			6

IMPORTANT NOTICE

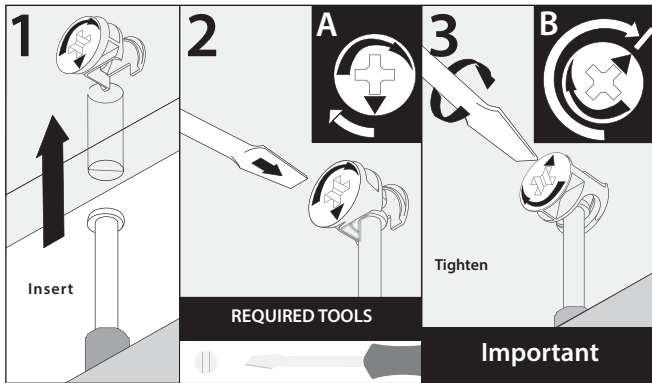
Main hardware system. Installation steps.



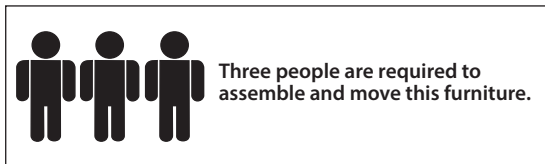
How to remove a misplaced assembly bolt (H-36).



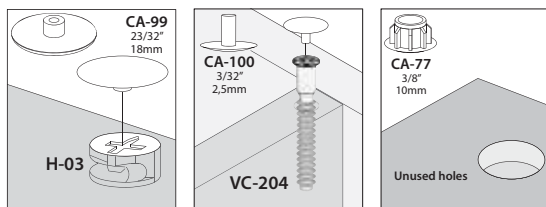
Main hardware system. Assembly steps.



Make sure to properly tighten each cam to ensure furniture solidity. Otherwise, parts could be damaged or the user could be injured.



When you have completed the assembly of your new furniture, install plastic caps

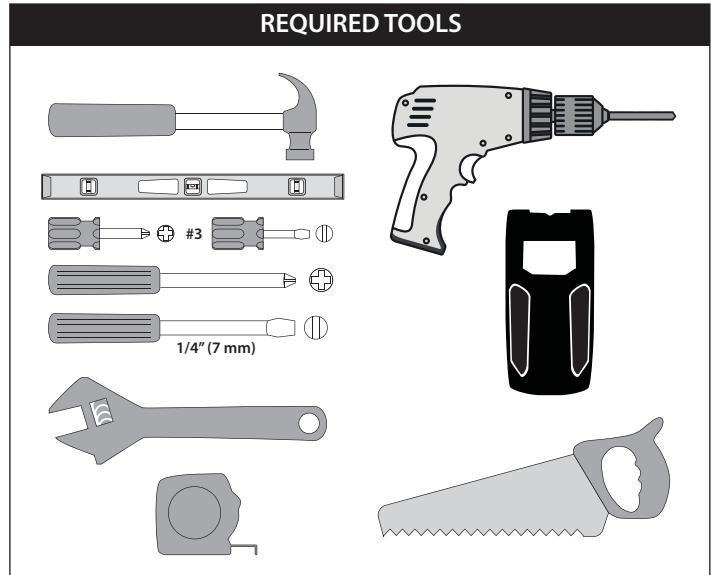


When you have completed the assembly of your new furniture, install self-adhesive caps on unused holes.



CA-1014

REQUIRED TOOLS



Sequence of assembly

Parts:

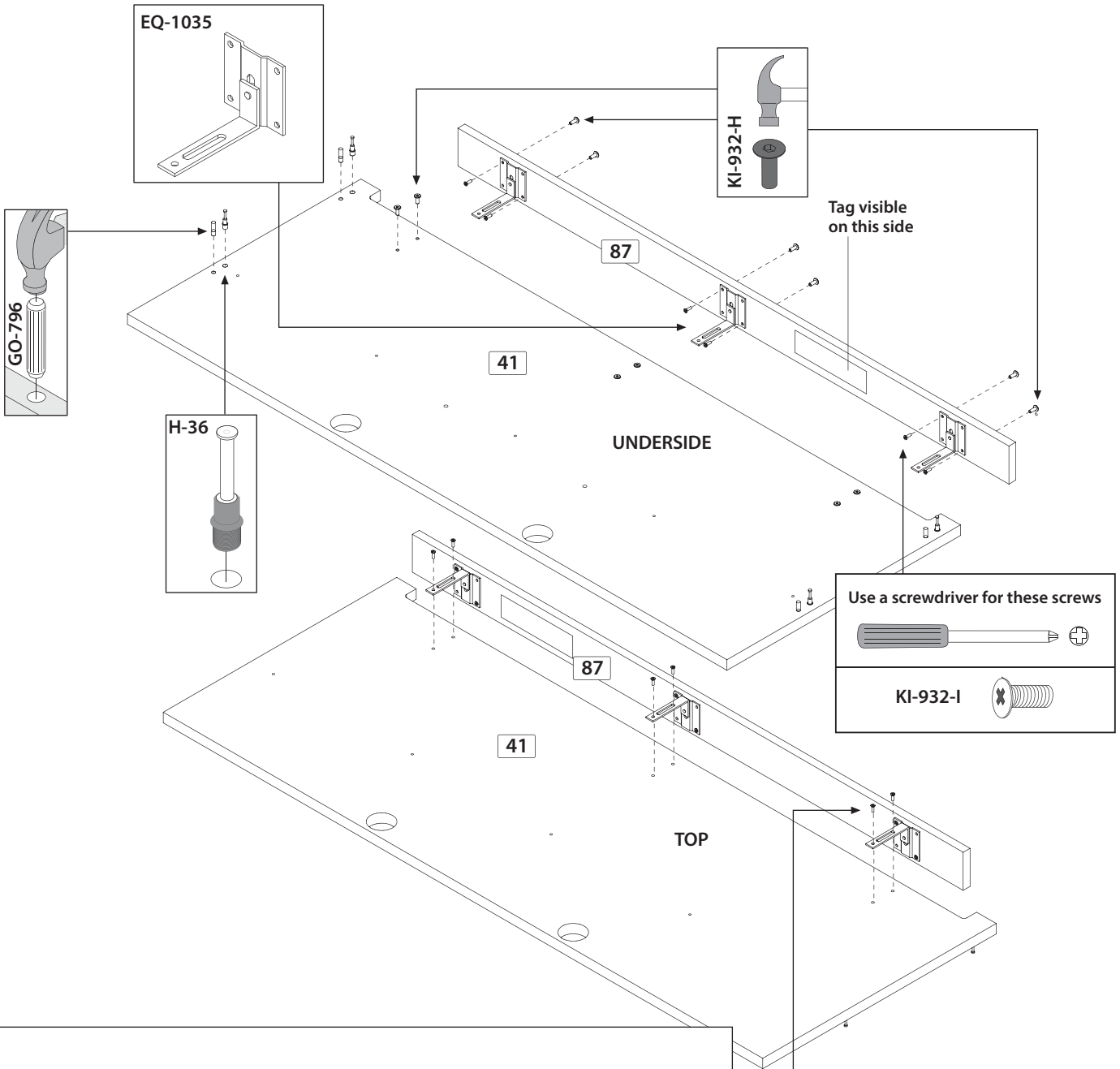
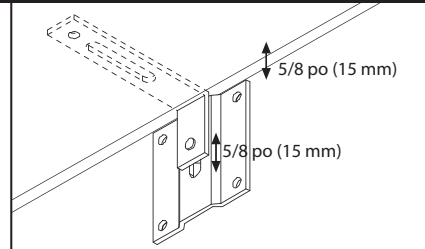
41 + EQ-1035 + 87

IMPORTANT

Place boxes under parts during the assembly to avoid damages.

IMPORTANT

The EQ-1035 bracket is designed to allow the bed structure to adjust up to 5/8 in. (15 mm) for the compaction of a carpet for example. (See the wall anchoring step)



Code	EQ-1035	GO-796	H-03	H-36	KI-932-H	KI-932-I	VF-1013
Qty	x 3	x 4	x 4	x 4	x 12	x 6	x 6

Use a screwdriver for these screws

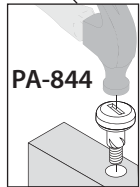
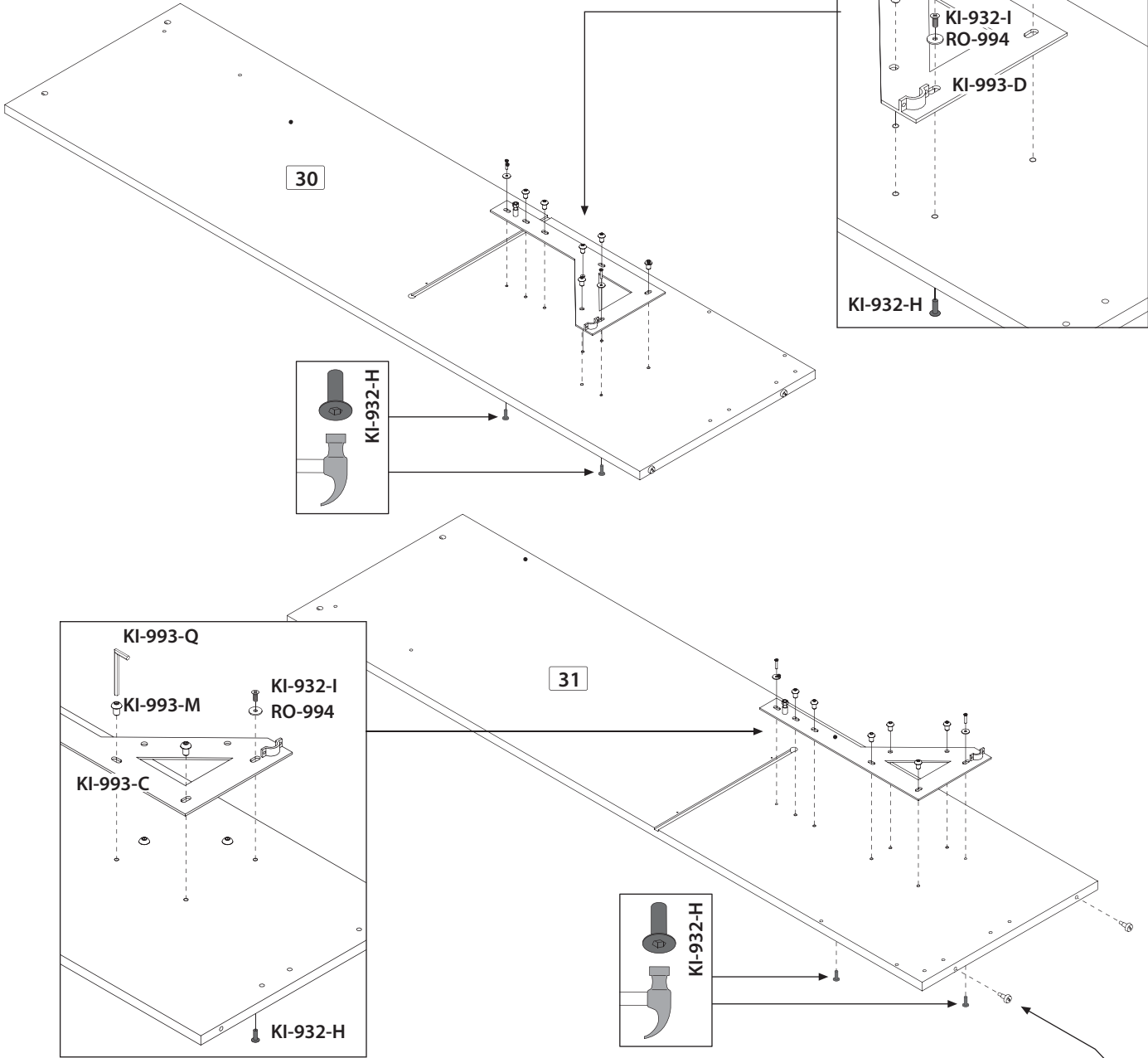
VF-1013

Assembling sequence

Parts:

30 + KI-993-D + KI-993-M

31 + KI-993-C + KI-993-M

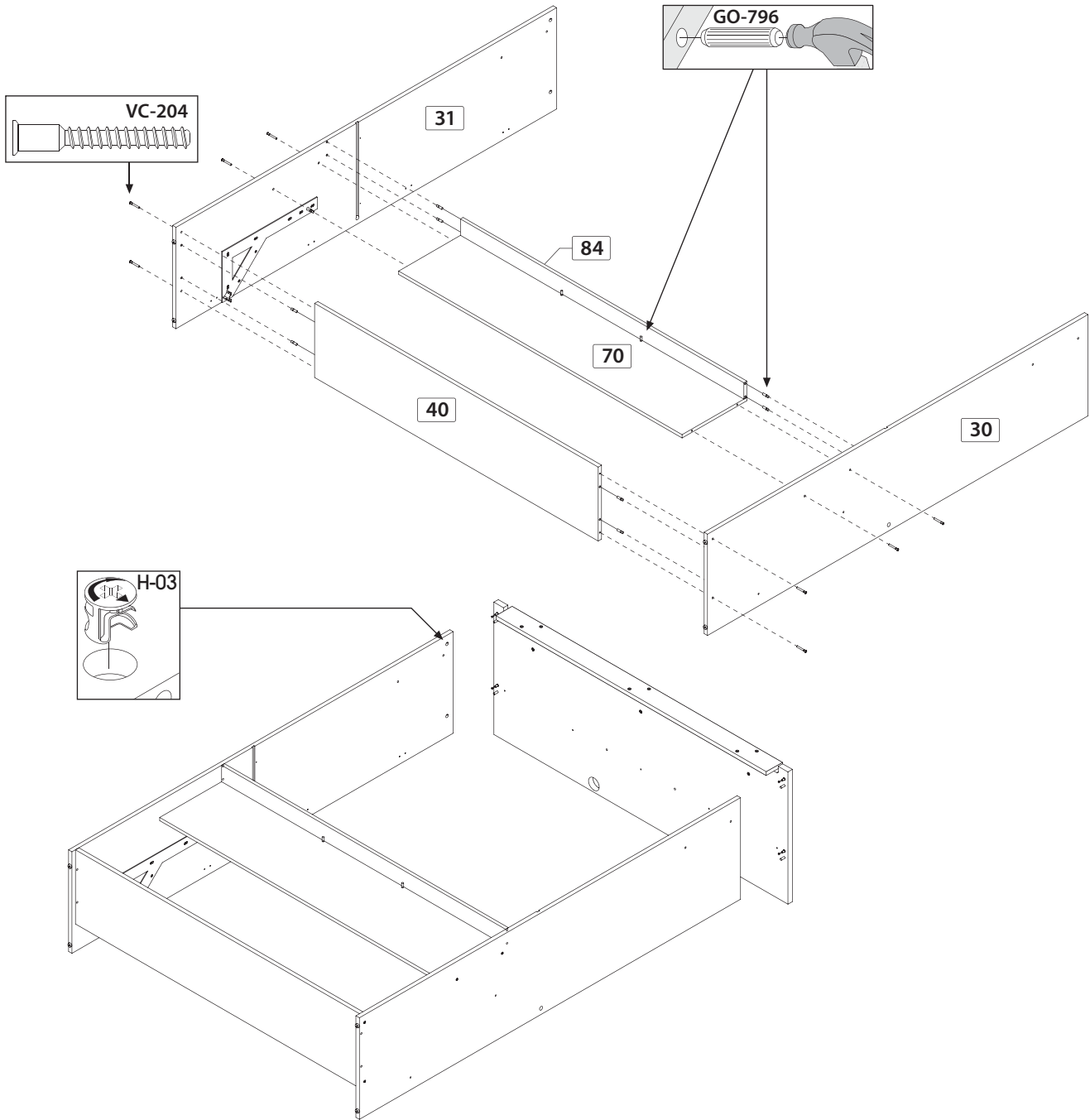


Code	KI-993-C	KI-993-D	KI-993-M	KI-993-Q	PA-844	RO-994	KI-932-I	KI-932-H
Qty	x 1	x 1	x 12	x 1	x 4	x 4	x 4	x 4

Assembling sequence

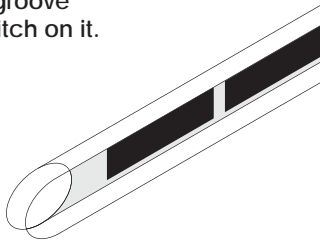
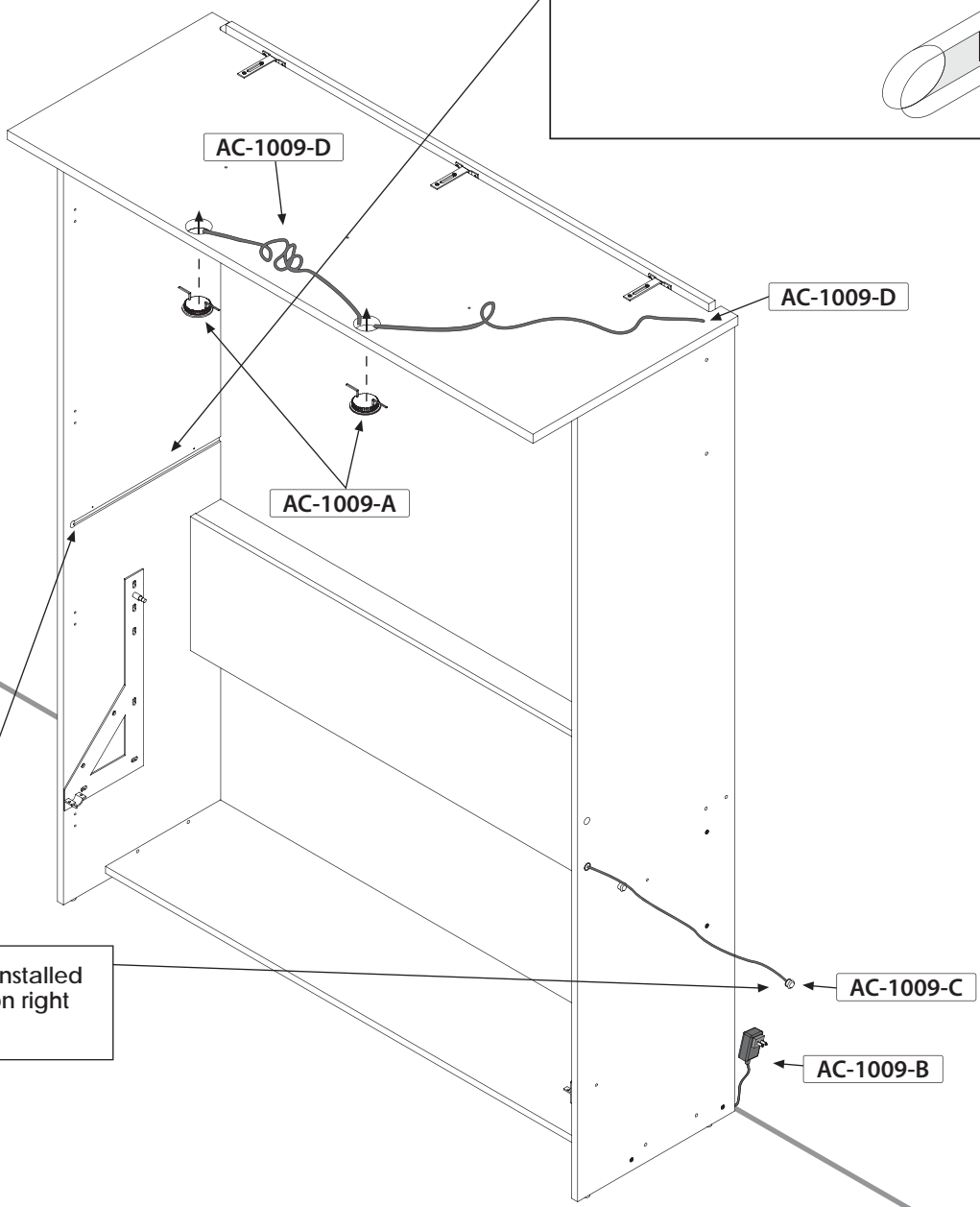
Parts:

- 40 30 31 70 41 84

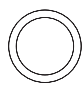



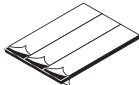


Code	GO-796	VC-204	H-03
Qty	x 10	x 8	x 4

Adhere the RU-420 into the groove and glue the wires of the switch on it.

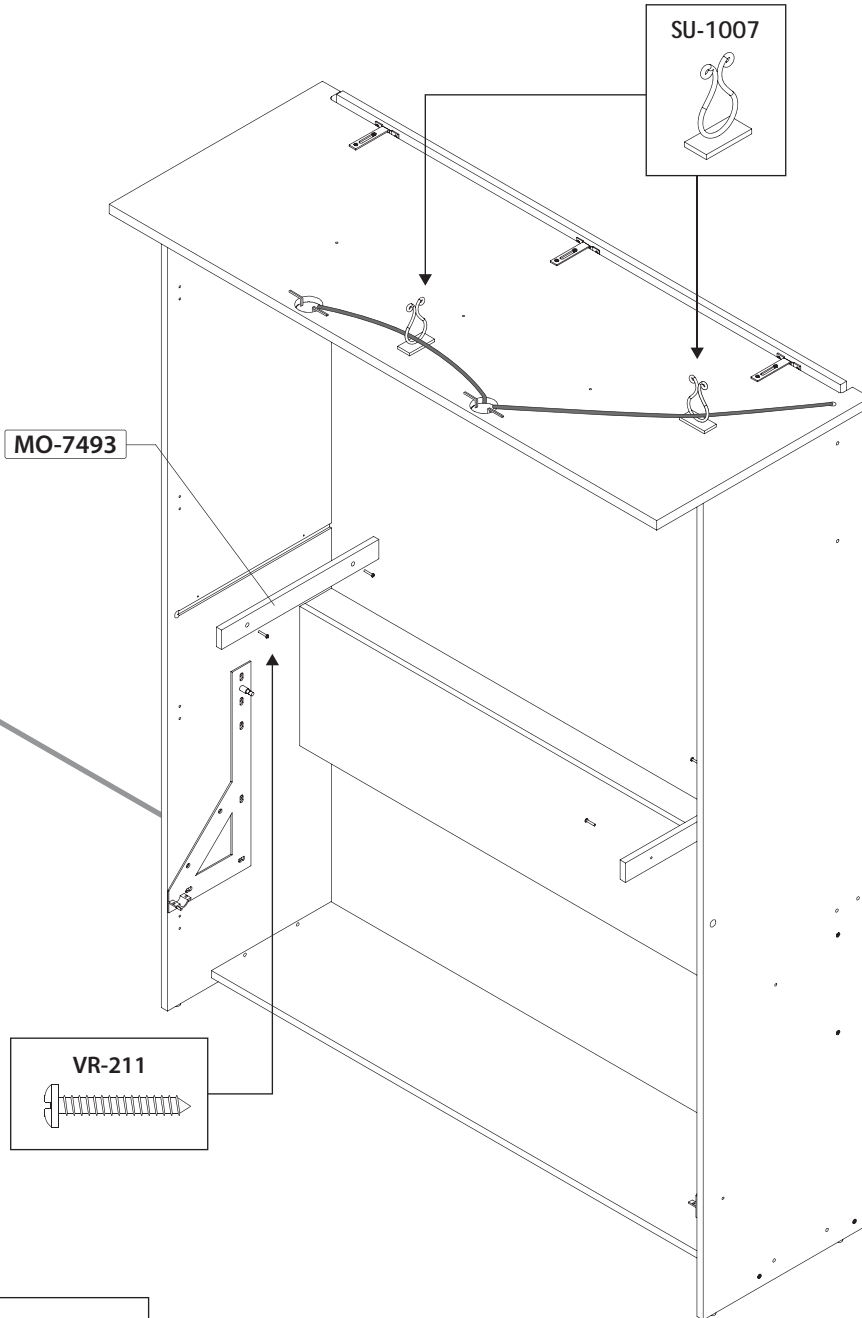
Switch can be installed on left side or on right side.

					
Code	AC-1009-A	AC-1009-B	AC-1009-C	AC-1009-D	RU-420
Qty	x 2	x 1	x 1	x 2	x 1

Assembling sequence

Parts:

MO-7943 + Wire + RU-420



Code	VR-211	SU-1007
Qty	x 4	x 2



WALL ANCHORING REQUIREMENTS & INSTALLATION RECOMMENDATIONS

Important information to read before starting the assembly.
Keep this information for future reference.



IMPORTANT WARNINGS

Risk of serious injuries if the wall bed tips over.

To prevent wall bed from tipping over, mount it permanently to the wall.

Only a qualified person* must carry out the installation and any possible adjustment of the wall bed (including disassembly). If the wall bed is not firmly mounted (anchored) to the wall, it might tip over and cause serious injuries to the installer, users of the bed as well as the people near the bed.

The choice of wall anchoring depends on the type of wall. Use wall anchors suitable for the wall material.

* **Qualified person:** it is necessary to have a good understanding of the wall structure where the bed is anchored, including the positioning of the wall studs and structural components in the case of a wood or metal structure. **If you do not have the necessary skills**, make sure that the wall anchoring is done by someone who has the qualifications and required knowledge. When you choose the installer, make sure to comply with all applicable regulations in the province, state or country where the furniture is installed.

OTHER TYPES OF WALLS

If the structure of the wall is not wood, metal or masonry: The service of a professional ** would be required for the wall anchoring. We are released from any responsibility if wall anchoring of this furniture is not done by a professional.

IMPORTANT WARNINGS



INSTALLATION AND APPROPRIATE HARDWARE

Using appropriate hardware, all the anchor screws of the wall bed must be firmly secured to the wood or metal studs, the structural components, or a masonry wall.

Only wall anchor screws for wood-frame walls are provided with this bed.

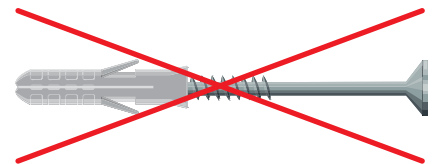
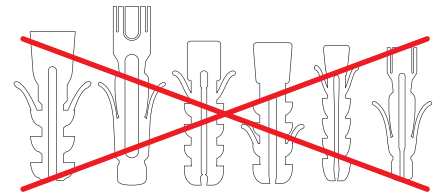
NEVER USE DRYWALL ANCHOR SCREWS OR SECURE THE BED TO DRYWALL

See wall anchoring requirements and installation notes provided in the instruction manual, according to the type of wall, and use the appropriate anchors such as described in this manual.

NUMBER OF SCREWS NEEDED

Two (2) screws are required for each anchor point. Three (3) wall anchor points are necessary for the proper installation of the wall bed. So you need a total of six (6) wall anchor screws.

THE SCREWS MUST BE VERY WELL ANCHORED TO THE STRUCTURAL COMPONENTS OF THE WALL.



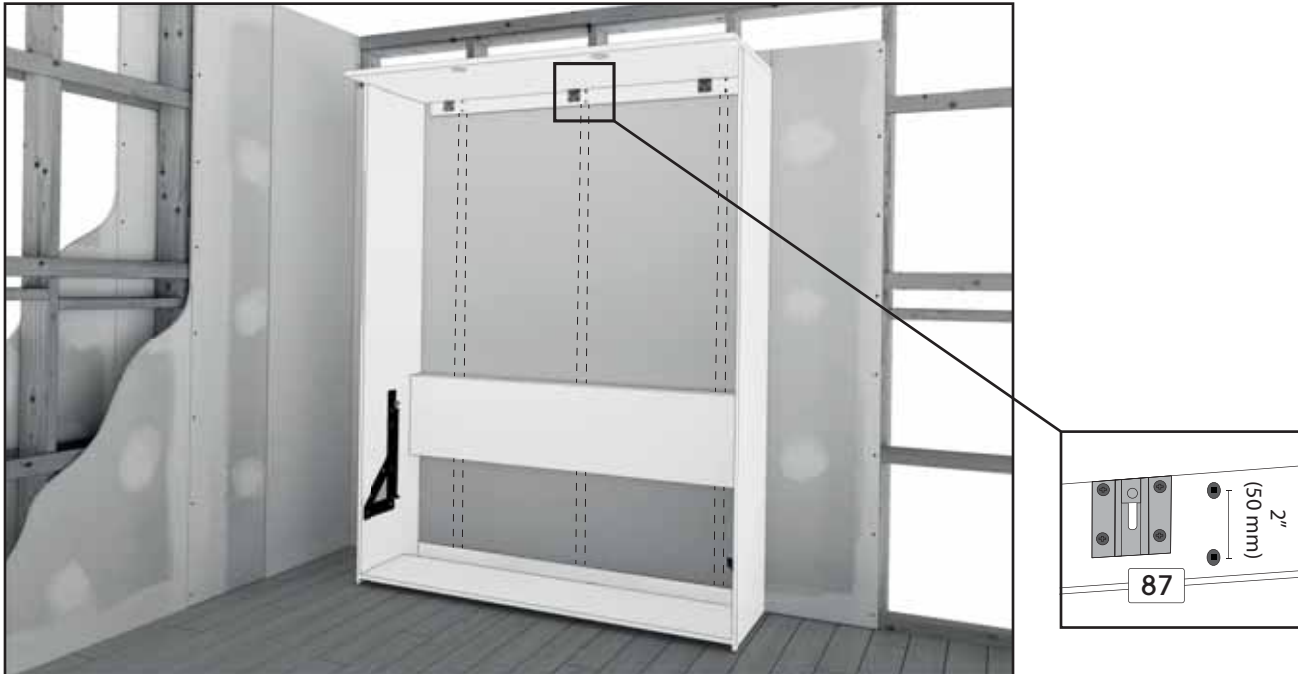
** A CERTIFIED CONSTRUCTION PROFESSIONAL, IN COMPLIANCE WITH APPLICABLE REGULATIONS IN THE PROVINCE, STATE, OR COUNTRY WHERE THE FURNITURE IS INSTALLED.

WALL ANCHORING INSTRUCTIONS

INSTALLATION RECOMMENDATIONS — WOOD STUDS

WALL COMPOSITION

Wood studs



ACCORDING TO YOUR WALL TYPE AND COMPOSITION, YOUR PROFESSIONAL INSTALLER SHOULD APPROVE THE CHOICE OF ANCHOR SCREWS AND SELECT, IF REQUIRED, MORE APPROPRIATE ANCHORING DEVICES.

HARDWARE

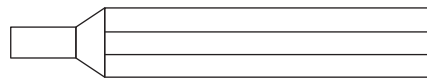
“COARSE THREAD SCREWS No #10”

VR-1047



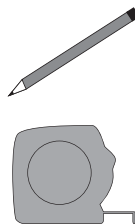
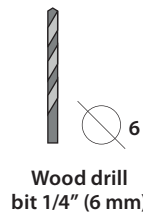
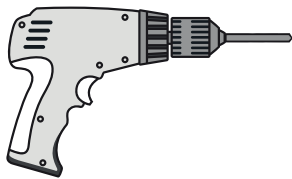
6 screws included 3 1/2" (89 mm)

BT-1048

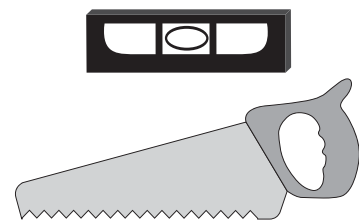


Robertson (square-tip) bit included

REQUIRED TOOLS



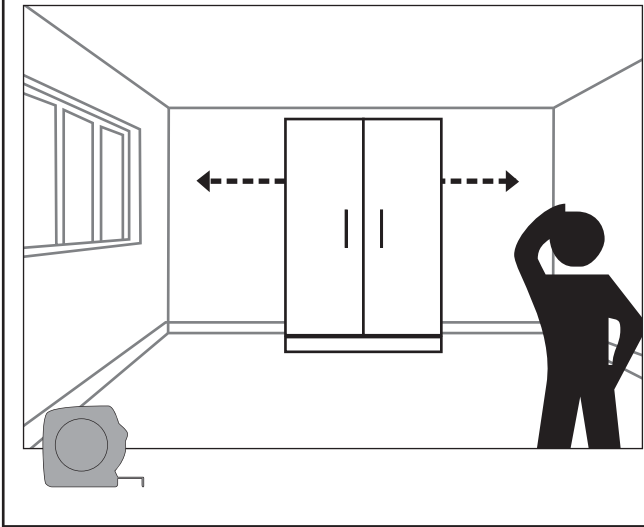
Stud finder



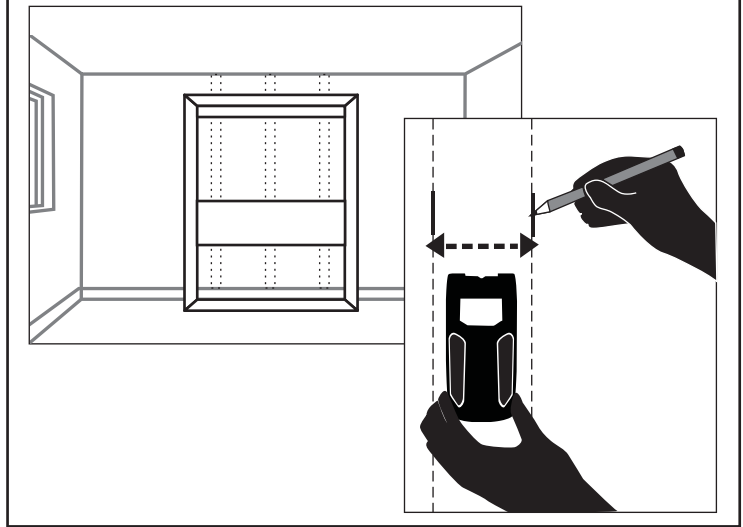
WALL ANCHORING INSTRUCTIONS

INSTALLATION RECOMMENDATIONS - WOOD STUDS

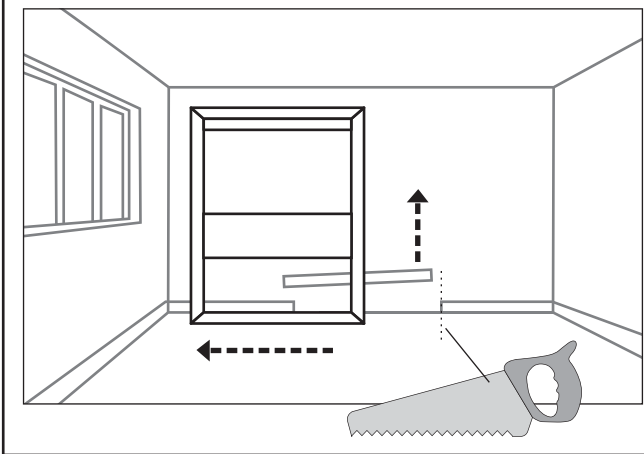
1 Determine the position of the bed in the room.



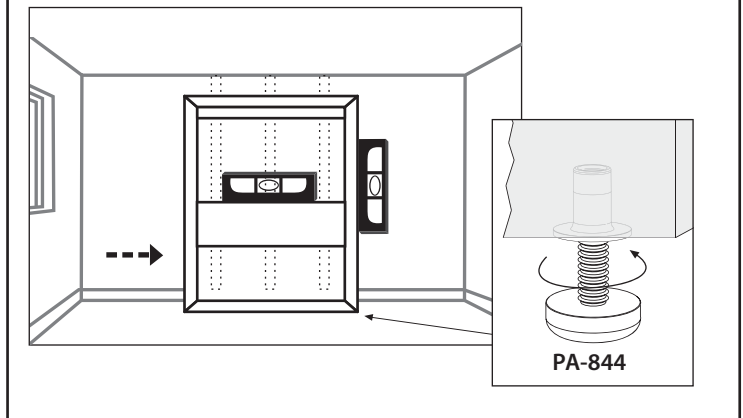
2 Locate and mark the positioning of 3 studs using a stud finder.



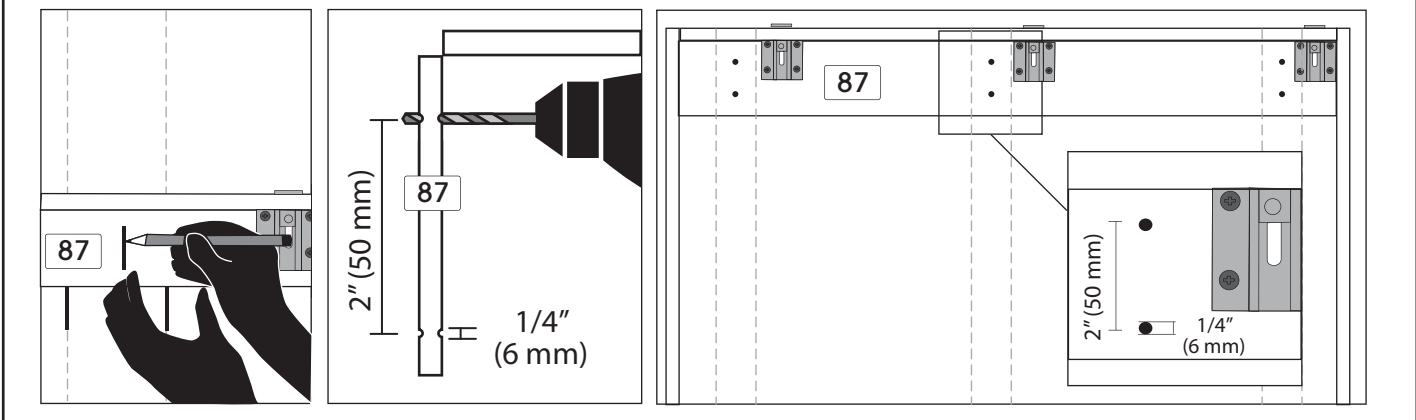
3 Move the bed if necessary, then cut and remove the floor trim.



4 Put the bed back in its place. Level by adjusting the legs PA-844 previously installed. If you install the bed on a carpet, you must raise the bed by an extra 3/8" (10 mm).



5 Line up plywood part #87 on the wall and mark the middle of the studs on the plywood, then pre-drill part #87 with 2 pilot holes of 1/4" (6 mm) diameter per stud, 2" (50 mm) apart vertically (6 holes in total). **DO NOT DRILL HOLES INTO THE WOOD STUDS.**



WALL ANCHORING INSTRUCTIONS

INSTALLATION RECOMMENDATIONS - WOOD STUDS

IMPORTANT WARNINGS



INSTALLATION AND APPROPRIATE HARDWARE

Using appropriate hardware, all the anchor screws of the wall bed must be firmly secured to the wood or metal studs, the structural components, or a masonry wall.

Only wall anchor screws for wood-frame walls are provided with this bed.

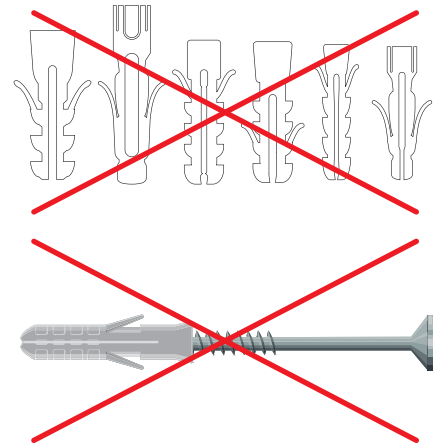
NEVER USE DRYWALL ANCHOR SCREWS OR SECURE THE BED TO DRYWALL

See wall anchoring requirements and installation notes provided in the instruction manual, according to the type of wall, and use the appropriate anchors such as described in this manual.

NUMBER OF SCREWS NEEDED

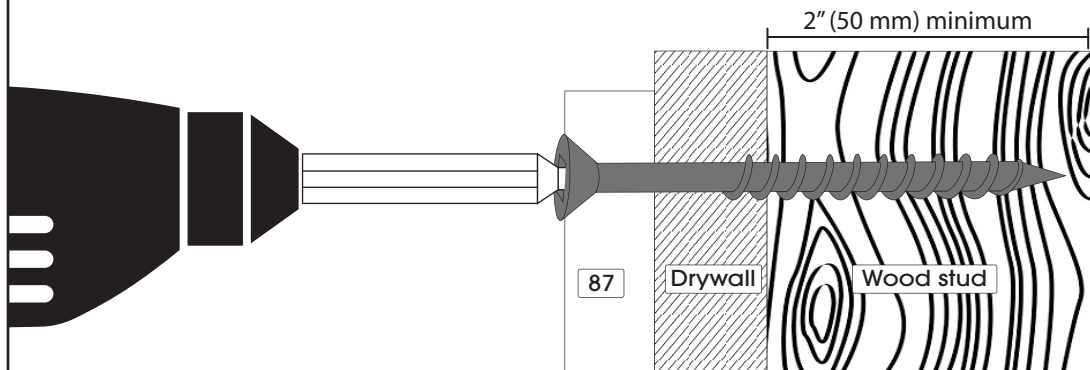
Two (2) screws are required for each anchor point. Three (3) wall anchor points are necessary for the proper installation of the wall bed. So you need a total of six (6) wall anchor screws.

THE SCREWS MUST BE VERY WELL ANCHORED TO THE STRUCTURAL COMPONENTS OF THE WALL.



6

Put the wood screws #10 x 3 1/2" (89 mm) through the holes of part #87 and screw into the center of the studs until the plywood is tight against the wall. USE AN ELECTRIC SCREWDRIVER WITH AN ADJUSTABLE TENSION CLUTCH THAT HELPS PREVENT OVER-TIGHTENING AND STRIPPING.



WALL ANCHORING INSTRUCTIONS

INSTALLATION RECOMMENDATIONS — MASONRY

WALL COMPOSITION

Masonry



ACCORDING TO YOUR WALL TYPE AND COMPOSITION, YOUR PROFESSIONAL INSTALLER SHOULD APPROVE THE CHOICE OF ANCHOR SCREWS AND SELECT, IF REQUIRED, MORE APPROPRIATE ANCHORING DEVICES.

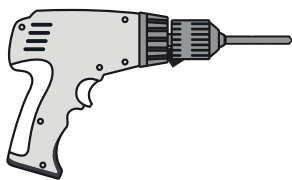
HARDWARE

“CONCRETE SCREWS 3/16” (5 mm) diameter X APPROPRIATE LENGTH”



NOT included

REQUIRED TOOLS



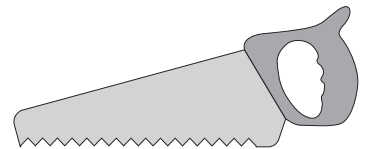
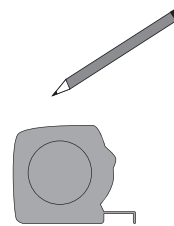
Hammer drill



Masonry drill bit
5/32" (4 mm)
Diameter



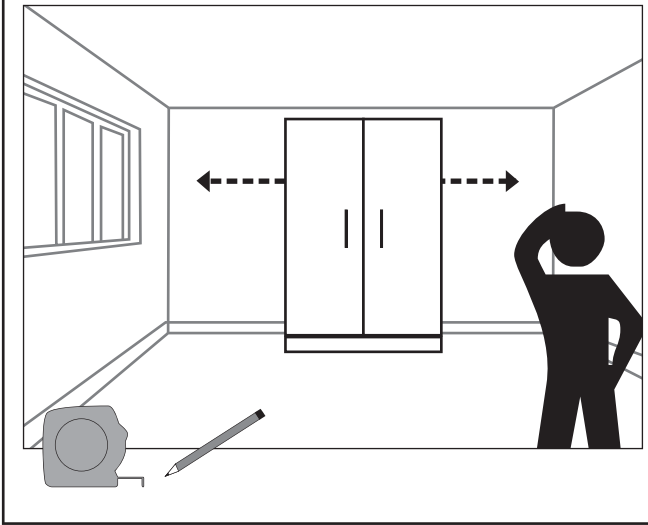
Wood drill bit
1/4" (6 mm)
Diameter



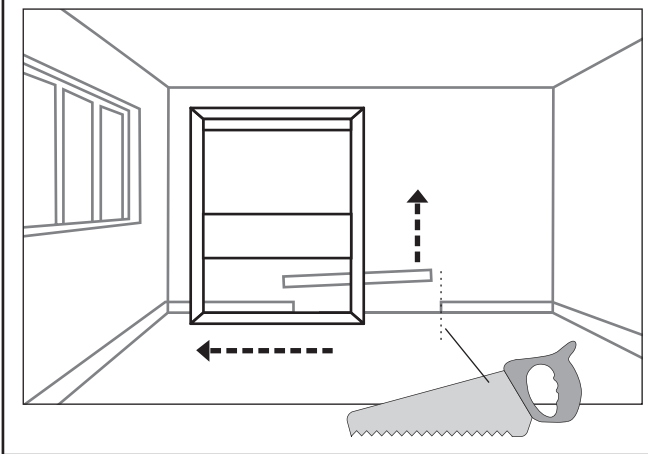
WALL ANCHORING INSTRUCTIONS

INSTALLATION RECOMMENDATIONS — MASONRY

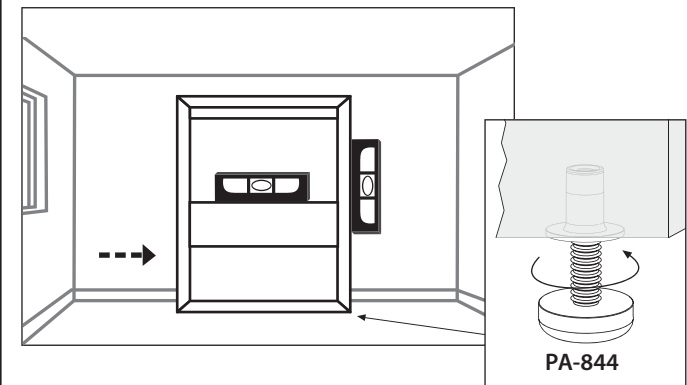
- 1** Determine and mark the position of the bed in the room.



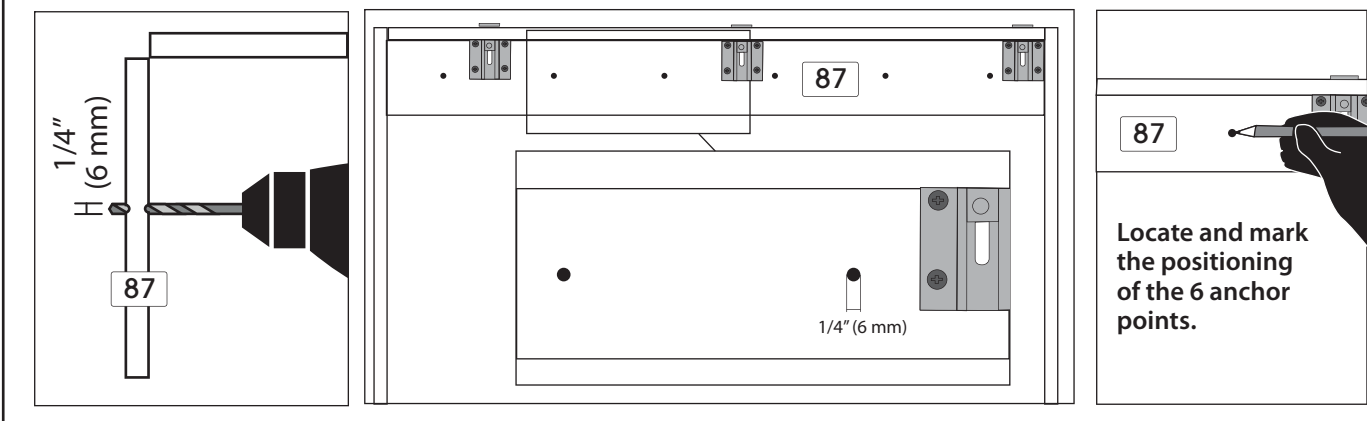
- 2** Move the bed if necessary, then cut and remove the floor trim.



- 3** Put the bed back in its place. Level by adjusting the legs PA-844 previously installed. If you install the bed on a carpet, you must raise the bed by an extra 3/8" (10 mm).



- 4** Pre-drill the piece of plywood #87 with 6 pilot holes of 1/4" (6mm) diameter distributed horizontally in order to cover the width of the anchoring section. With the bed in position, mark the position of the 6 holes on the masonry wall.

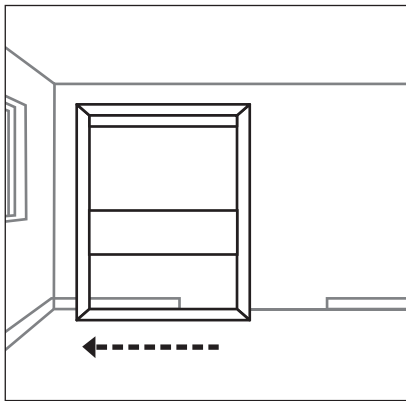


Locate and mark the positioning of the 6 anchor points.

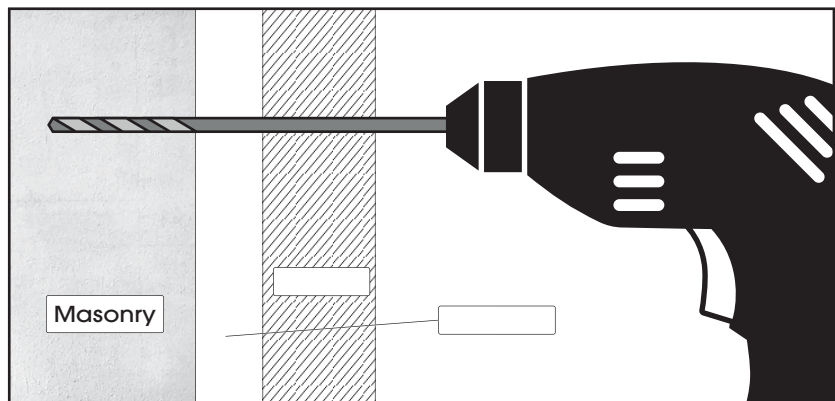
WALL ANCHORING INSTRUCTIONS

INSTALLATION RECOMMENDATIONS — MASONRY

5 Move the bed again.



6 Using a 5/32" (4 mm) diameter masonry bit, drill into the drywall and masonry (a hammer drill is required).



IMPORTANT WARNINGS



INSTALLATION AND APPROPRIATE HARDWARE

Using appropriate hardware, all the anchor screws of the wall bed must be firmly secured to the wood or metal studs, the structural components, or a masonry wall.

Only wall anchor screws for wood-frame walls are provided with this bed.

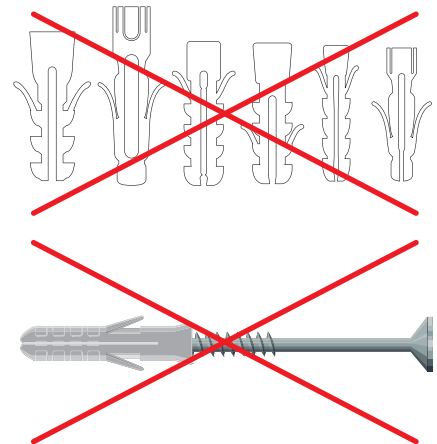
NEVER USE DRYWALL ANCHOR SCREWS OR SECURE THE BED TO DRYWALL

See wall anchoring requirements and installation notes provided in the instruction manual, according to the type of wall, and use the appropriate anchors such as described in this manual.

NUMBER OF SCREWS NEEDED

Two (2) screws are required for each anchor point. Three (3) wall anchor points are necessary for the proper installation of the wall bed. So you need a total of six (6) wall anchor screws.

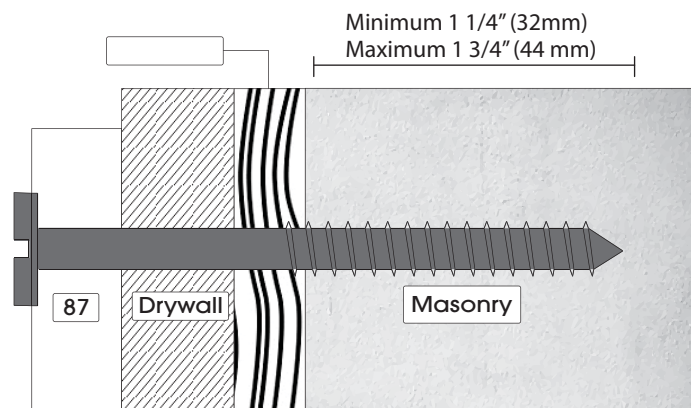
THE SCREWS MUST BE VERY WELL ANCHORED TO THE STRUCTURAL COMPONENTS OF THE WALL.



7 Put the bed back in its place.

Put the **CONCRETE SCREWS 3/16" (5mm) diameter X APPROPRIATE LENGTH** into the holes of part #87 and screw the bed onto the masonry wall until tight against the wall. Screw must be at least 1 1/4" (32mm) deep into masonry.

USE AN ELECTRIC SCREWDRIVER WITH AN ADJUSTABLE TENSION CLUTCH THAT HELPS PREVENT OVER-TIGHTENING AND STRIPPING.

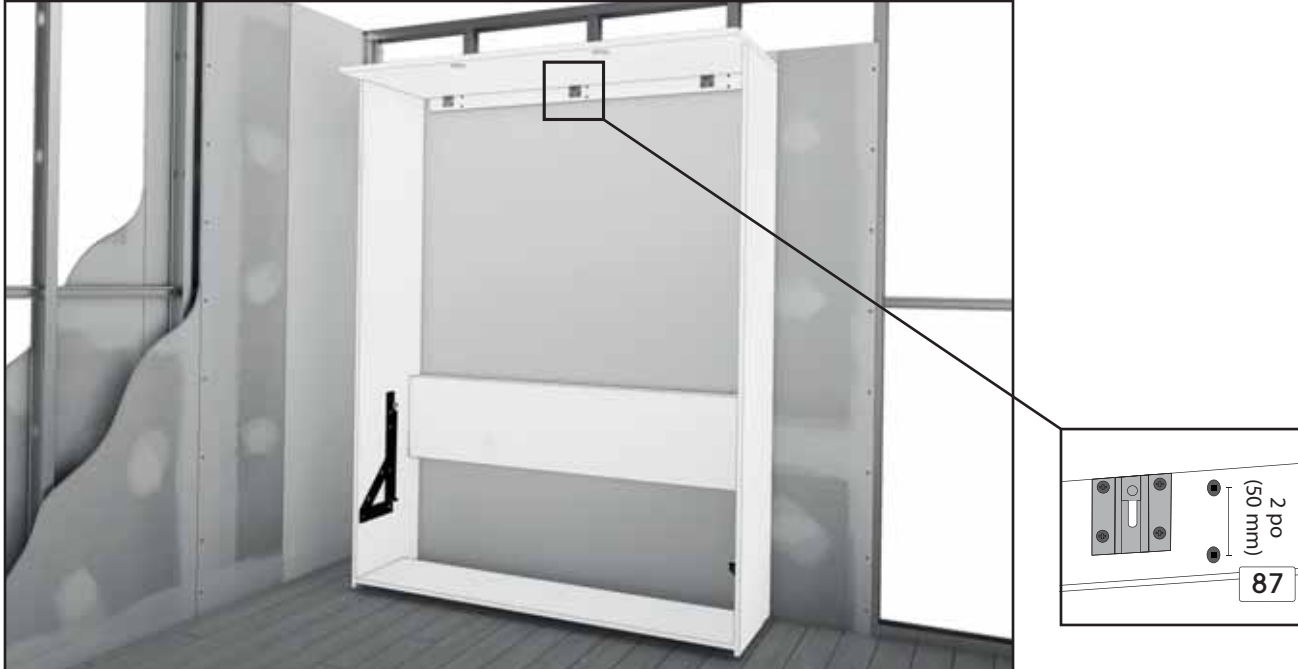


WALL ANCHORING INSTRUCTIONS

INSTALLATION RECOMMENDATIONS — METAL STUDS

WALL COMPOSITION

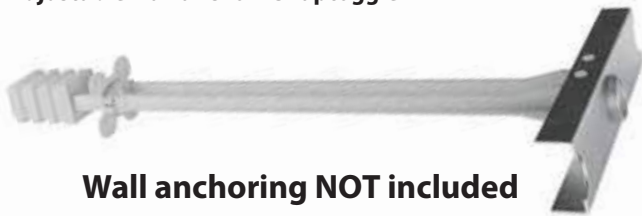
Metal studs



ACCORDING TO YOUR WALL TYPE AND COMPOSITION, YOUR PROFESSIONAL INSTALLER SHOULD APPROVE THE CHOICE OF ANCHOR SCREWS AND SELECT, IF REQUIRED, MORE APPROPRIATE ANCHORING DEVICES.

HARDWARE

“Adjustable wall anchor” Snaptoggle® *



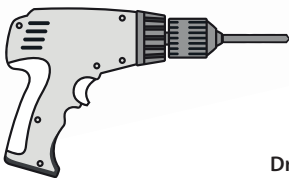
Wall anchoring NOT included



SCREW (10-24) X APPROPRIATE LENGTH

NOT included

REQUIRED TOOLS



Hammer drill



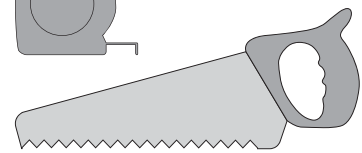
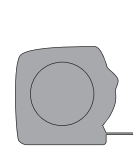
Drill bit for metal
1/2" (13 mm)
diameter



Wood drill bit
1/4" (6 mm)
diameter



Stud
finder



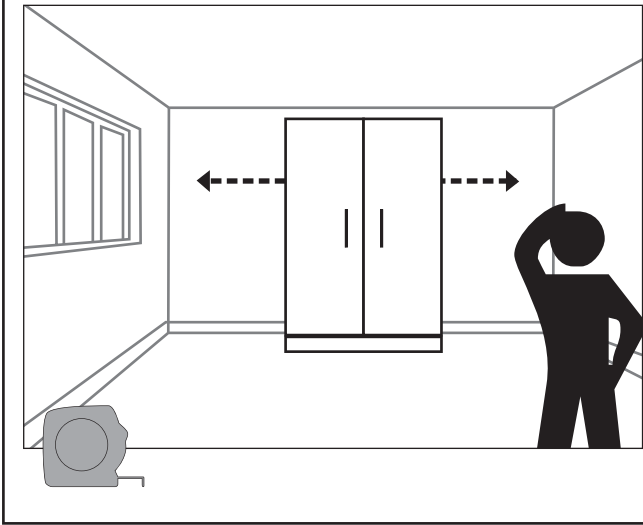
*Patented under one or more of the following U.S. Patent Nos. : 5,938,385; 6,161,999; 7,144,212; 7,320,569; and foreign counterparts thereof. Others patents pending.

TOGGLER and typeface, symbol, TA, TB, TC, TH, SP, ALLIGATOR, ALLIGATOR design, SNAPTOGGLE, SnapSkru, and High-Performance Anchors are worldwide registered trademarks of Mechanical Plastics Corp.

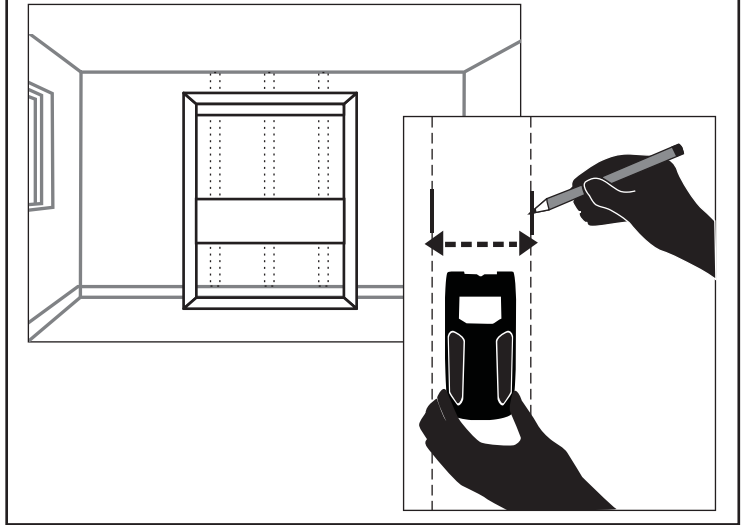
WALL ANCHORING INSTRUCTIONS

INSTALLATION RECOMMENDATIONS — METAL STUDS

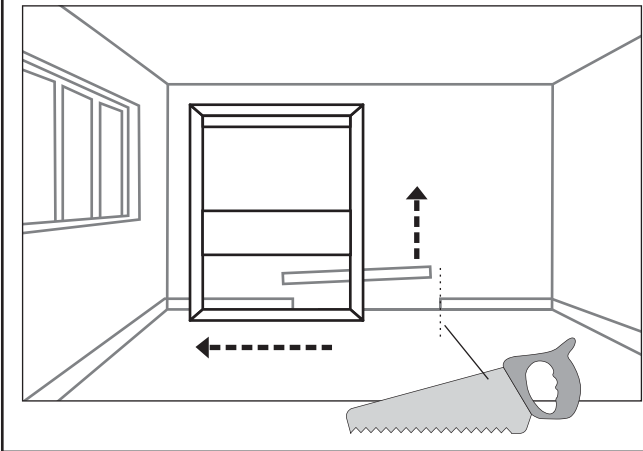
1 Determine the position of the bed in the room.



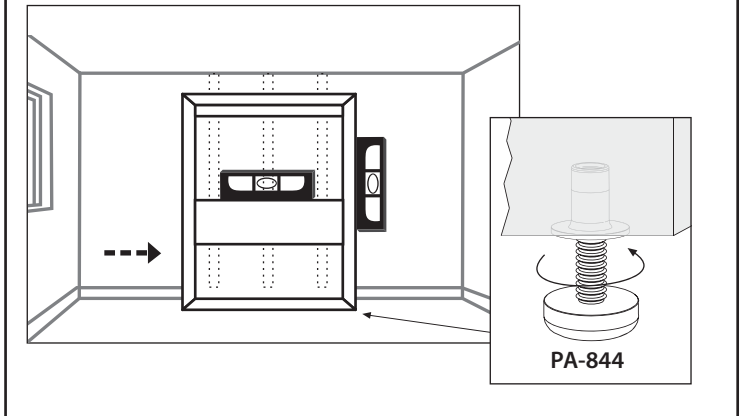
2 Locate and mark the positioning of 3 studs by using a stud finder.



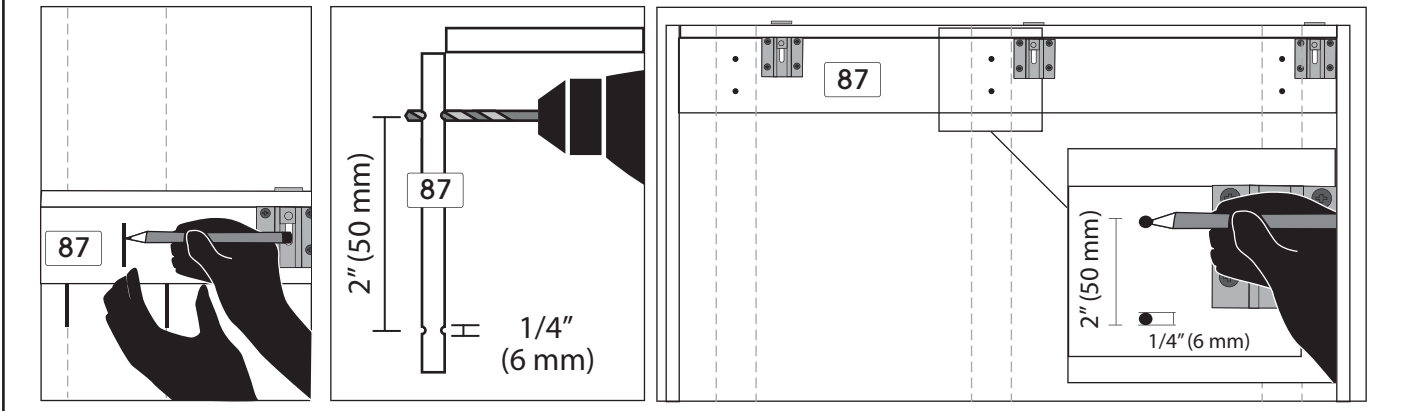
3 Move the bed if necessary, then cut and remove the floor trim.



4 Put the bed back in its place. Level by adjusting the legs PA-844 previously installed. If you install the bed on a carpet, you must raise the bed by an extra 3/8" (10 mm).



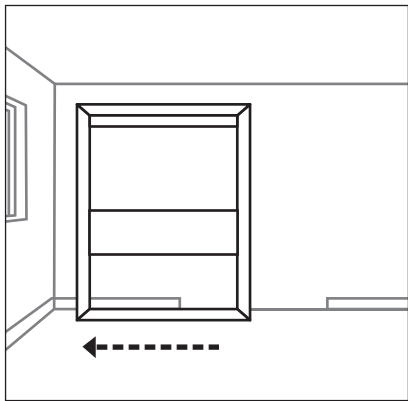
5 Line up plywood part #87 on the wall and mark the middle of the studs on the plywood, then pre-drill part #87 with 2 pilot holes of 1/4" (6 mm) diameter per stud, 2" (50 mm) apart vertically (6 holes in total). With the bed in position, mark the positioning of the 6 holes on the drywall.



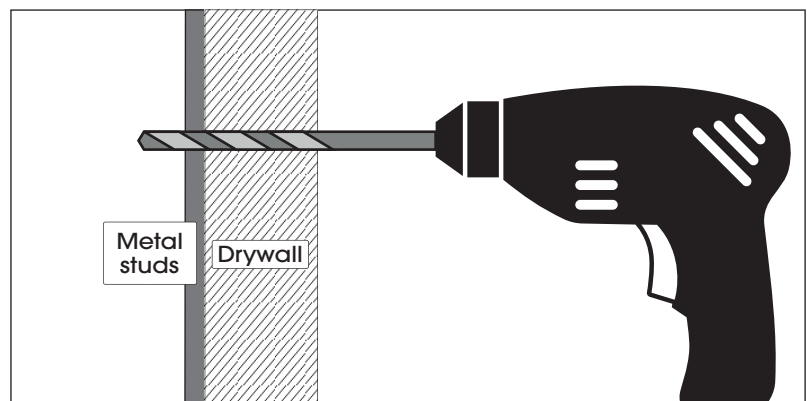
WALL ANCHORING INSTRUCTIONS

INSTALLATION RECOMMENDATIONS — METAL STUDS

6 Move the bed again.



7 Using a 1/2" (13 mm) diameter metal bit, drill into the drywall and the metal studs.



IMPORTANT WARNINGS



INSTALLATION AND APPROPRIATE HARDWARE

Using appropriate hardware, all the anchor screws of the wall bed must be firmly secured to the wood or metal studs, the structural components, or a masonry wall.

Only wall anchor screws for wood-frame walls are provided with this bed.

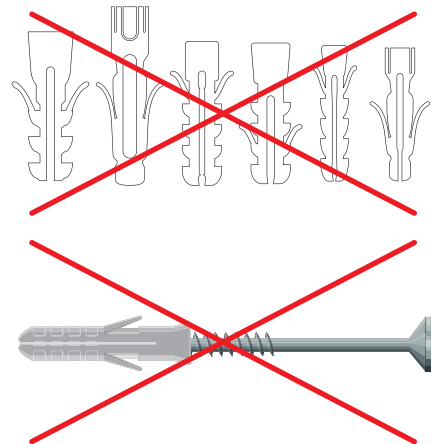
NEVER USE DRYWALL ANCHOR SCREWS OR SECURE THE BED TO DRYWALL

See wall anchoring requirements and installation notes provided in the instruction manual, according to the type of wall, and use the appropriate anchors such as described in this manual.

NUMBER OF SCREWS NEEDED

Two (2) screws are required for each anchor point. Three (3) wall anchor points are necessary for the proper installation of the wall bed. So you need a total of six (6) wall anchor screws.

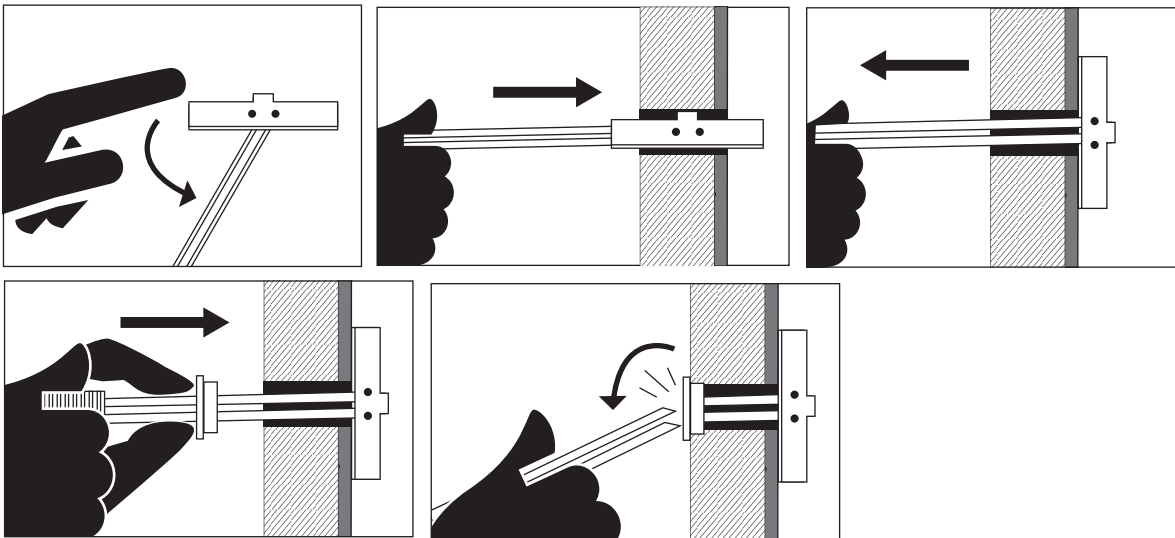
THE SCREWS MUST BE VERY WELL ANCHORED TO THE STRUCTURAL COMPONENTS OF THE WALL.



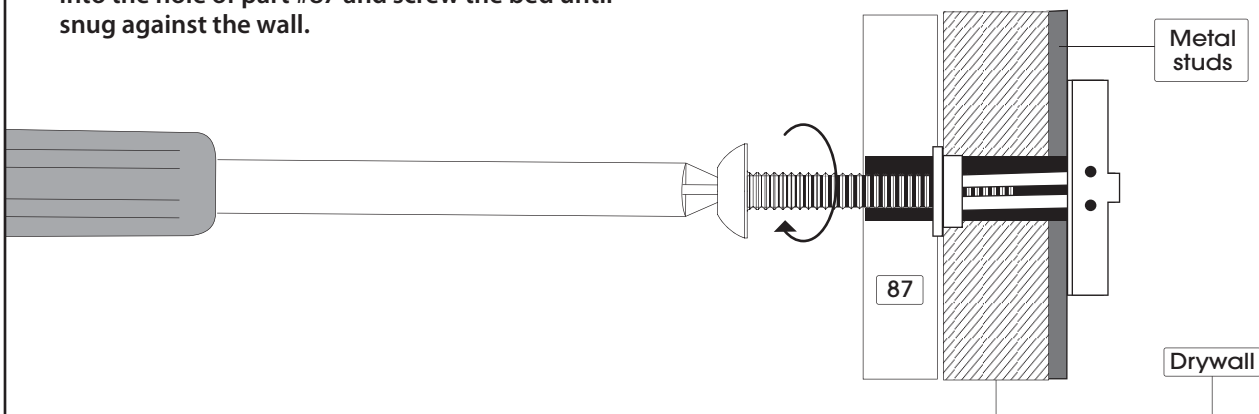
WALL ANCHORING INSTRUCTIONS

INSTALLATION RECOMMENDATIONS — METAL STUDS

- 8** Slide the metal channel of the anchor through the hole in the wall, hold the straps together and pull toward you until the channel rests behind the wall. Slide the cap along the straps until it is flush with the wall. Snap off the straps.



- 9** Put the bed back in its place.
Insert the screw (10-24) X APPROPRIATE LENGTH into the hole of part #87 and screw the bed until snug against the wall.



OTHER TYPES OF WALLS

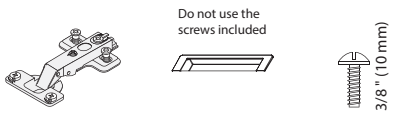
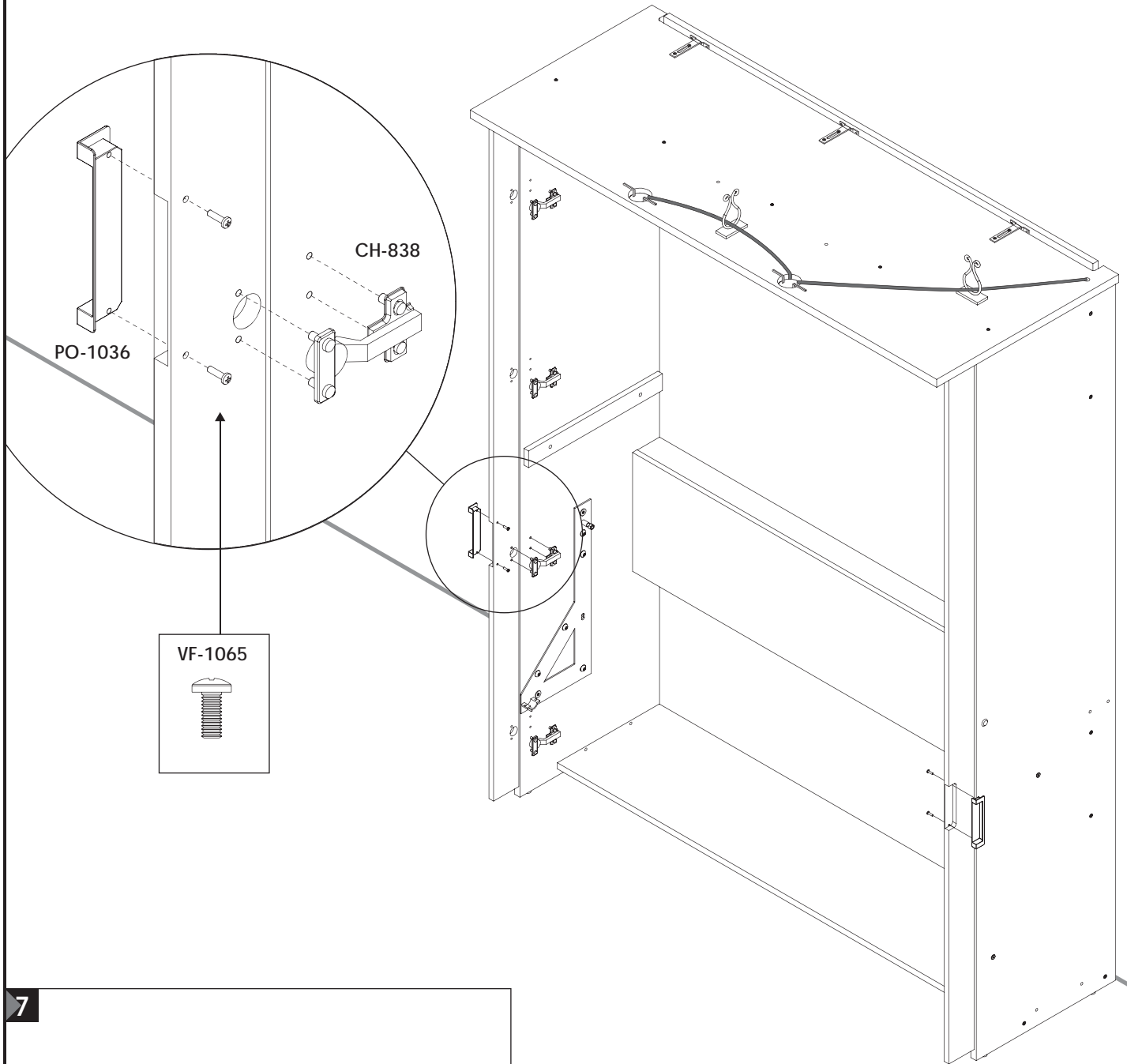
If the structure of the wall is not wood, metal or masonry: The service of a professional ** would be required for the wall anchoring. We are released from any responsibility if wall anchoring of this furniture is not done by a professional.

** A CERTIFIED CONSTRUCTION PROFESSIONAL, IN COMPLIANCE WITH APPLICABLE REGULATIONS IN THE PROVINCE, STATE, OR COUNTRY WHERE THE FURNITURE IS INSTALLED.

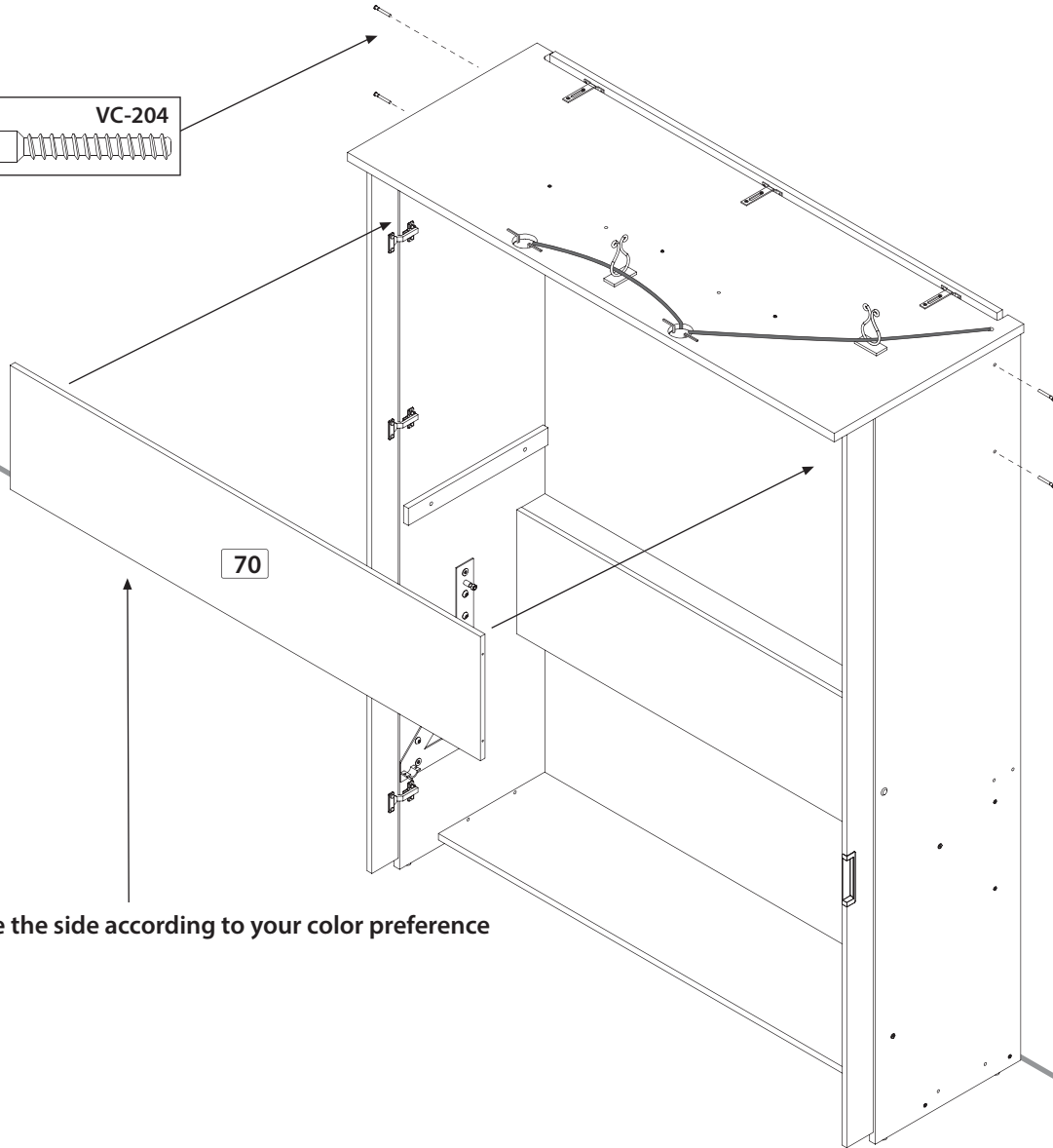
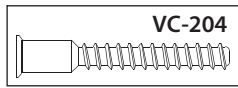
Assembling sequence

Parts:

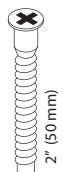
83 + 82



Code	CH-838	PO-1036	VF-1065
Qty	x 8	x 2	x 4



Choose the side according to your color preference

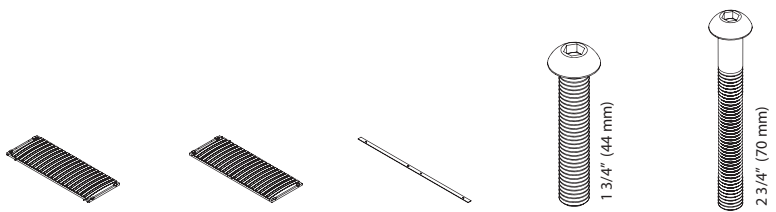
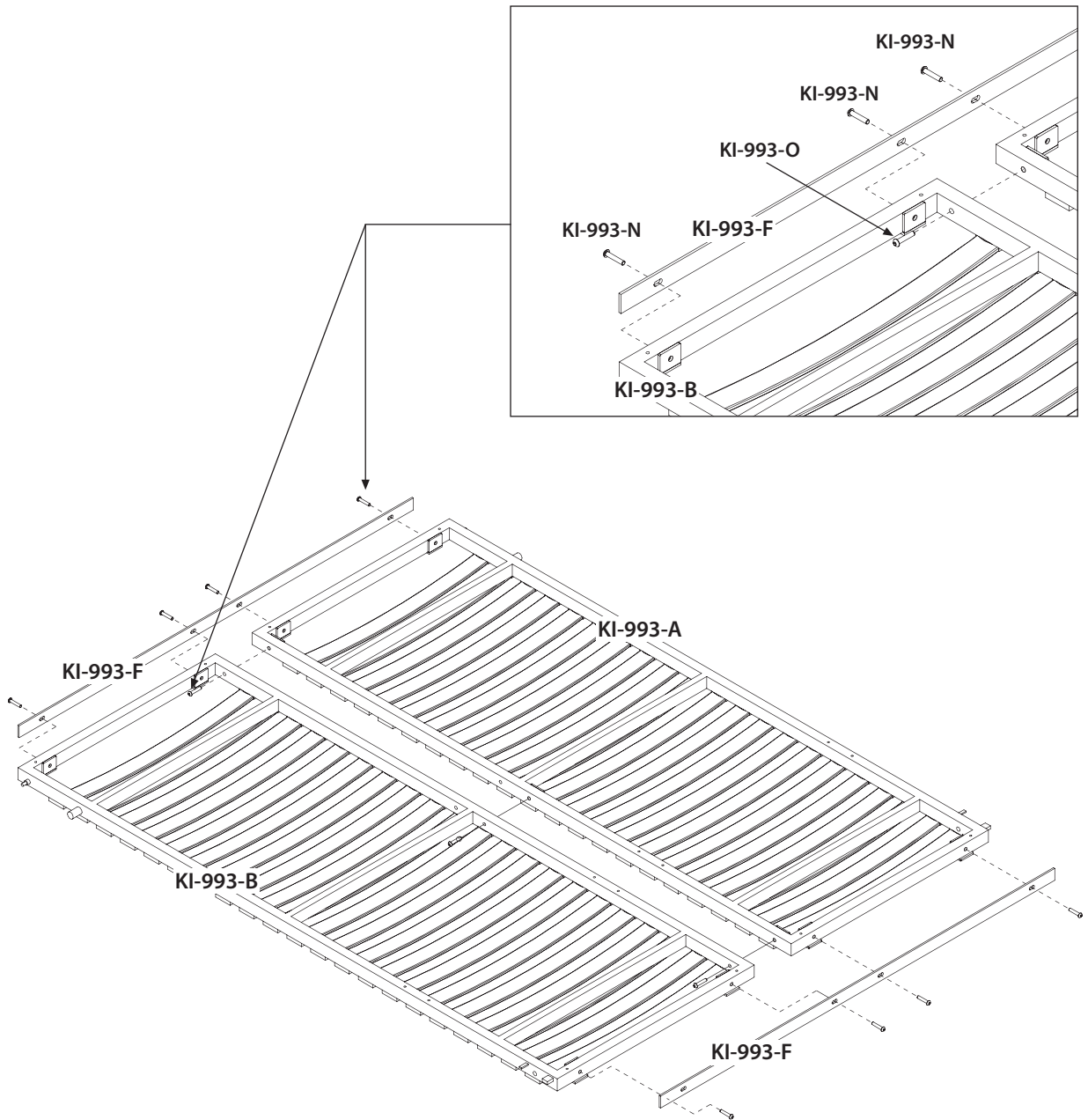


Code

VC-204

Qty

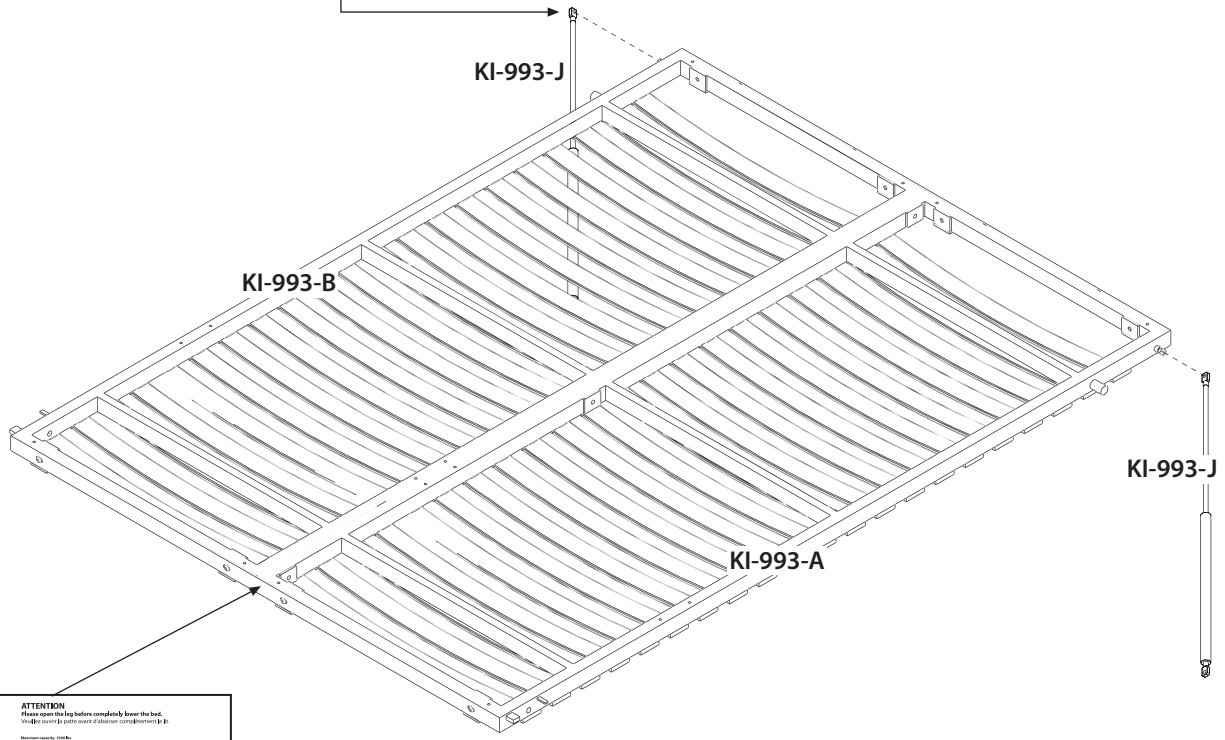
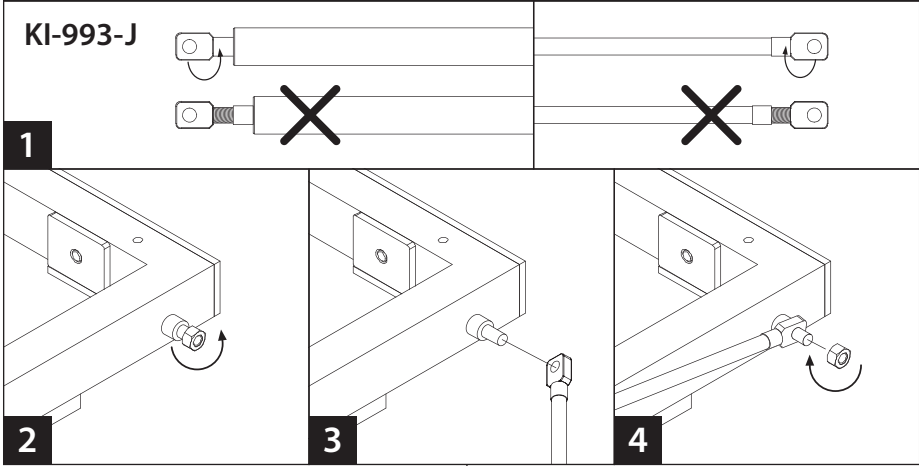
x 4



Code	KI-993-A	KI-993-B	KI-993-F	KI-993-N	KI-993-O
Qty	x 1	x 1	x 2	x 8	x 3



SCREW PROPERLY BOTH ENDS OF THE CYLINDER



ATTENTION
 Please open the bag before completely lower the foot.
 The bag is made of plastic and is not biodegradable.



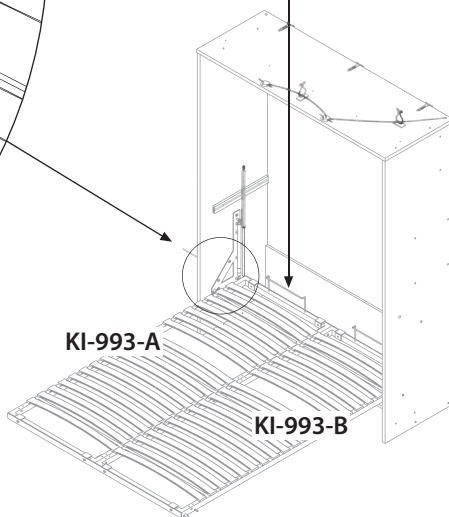
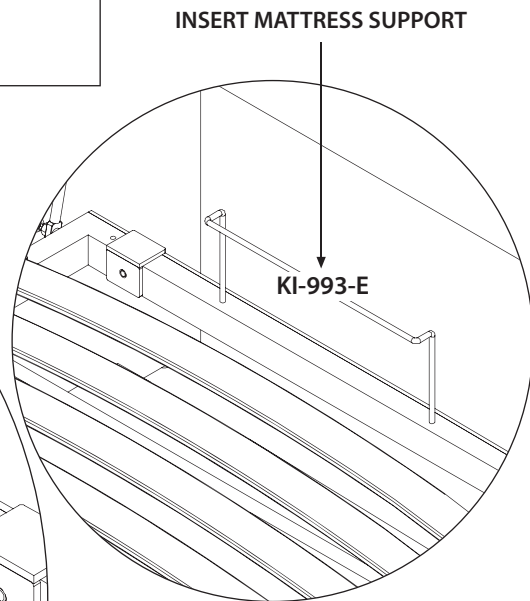
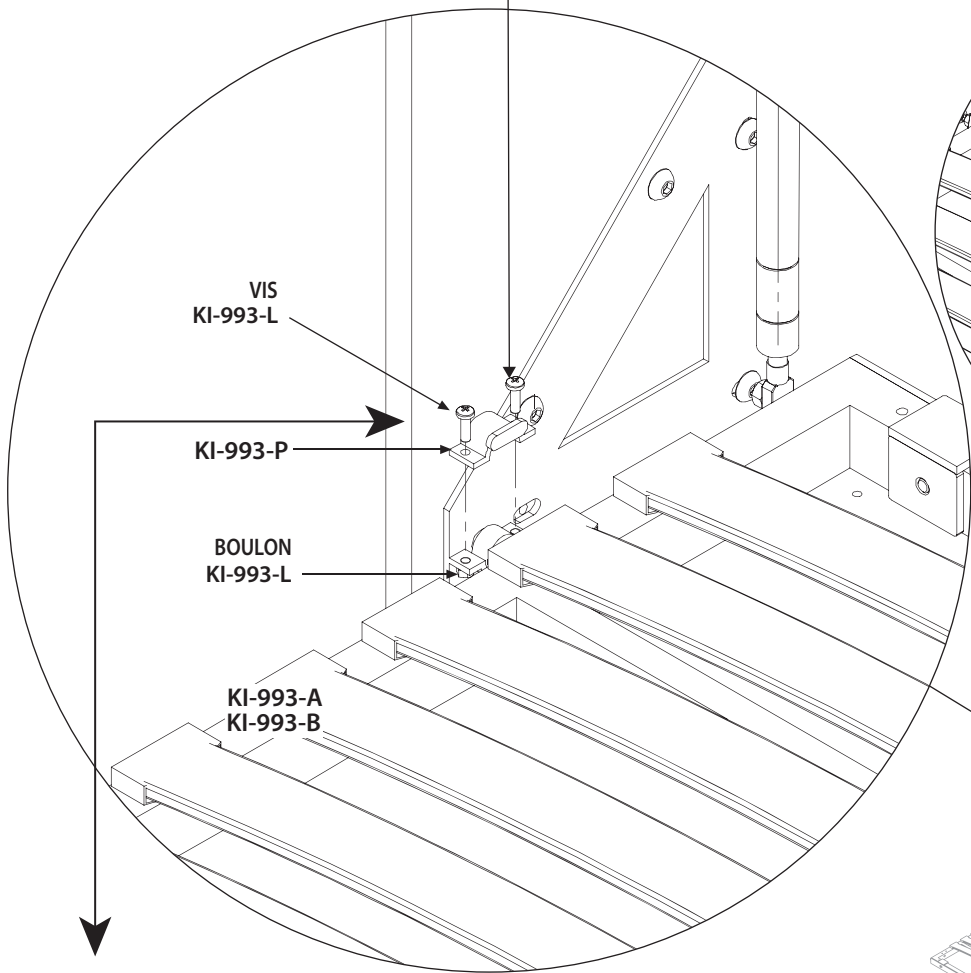
LEG WARNING STICKER

Code	KI-993-J	
Qty	x 2	x 1



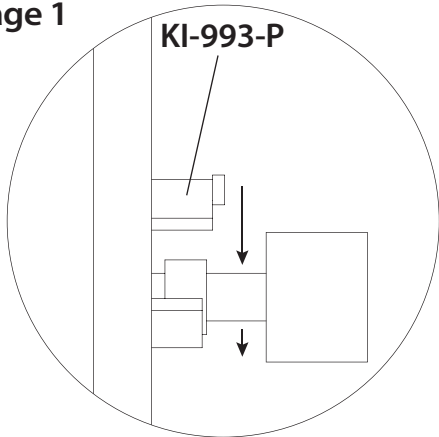
IMPORTANT


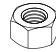
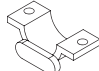
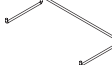
1. Place the bearings equally on each side before attaching them.
2. Position the bearing support in such a way as to lock. (Image 1)
3. Firmly tighten the bearing support.



FRONT VIEW

Image 1



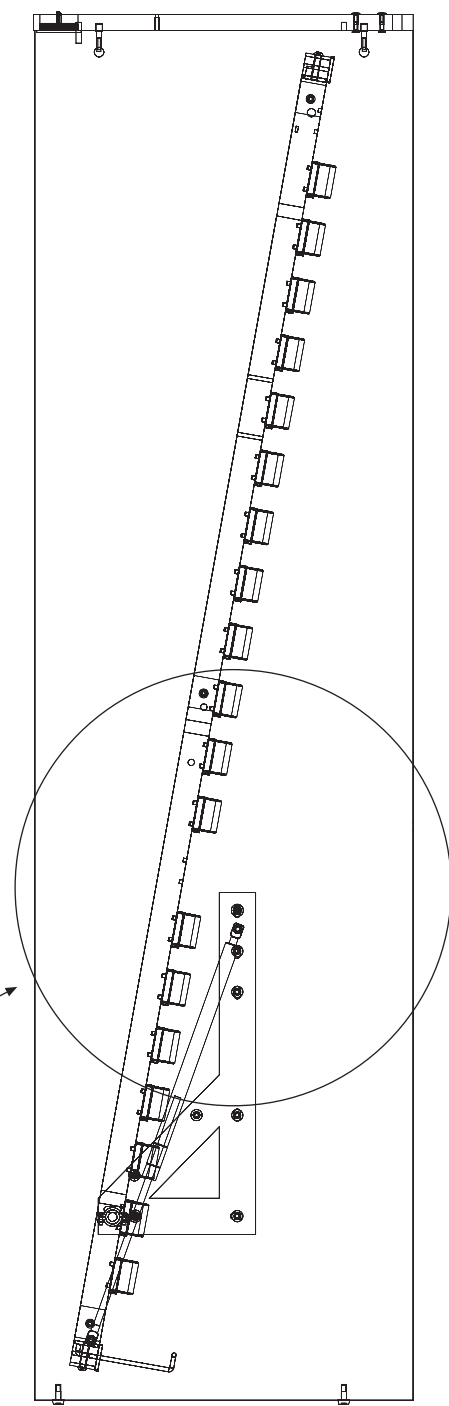
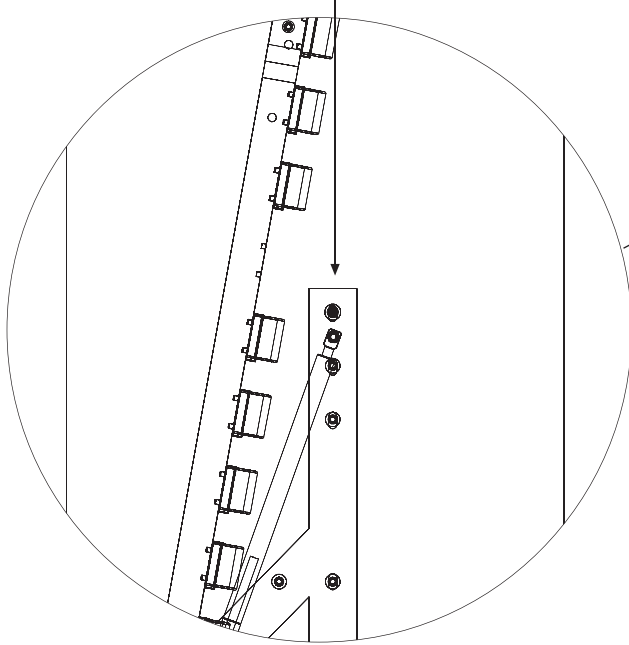
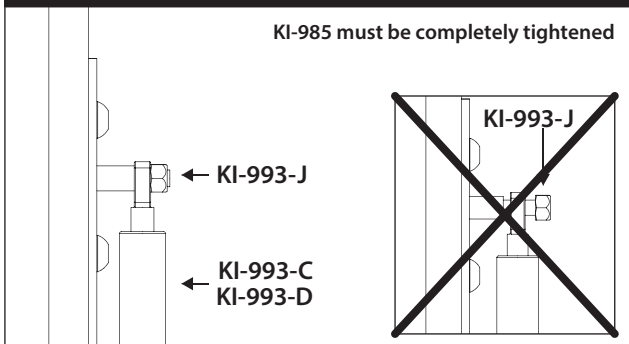
				
Code	KI-993-L		KI-993-P	KI-993-E
Qty	x 4		x 2	x 2

IMPORTANT

Take note that after the installation of the pistons, it will be very difficult to open the bed. Follow the steps until the end, put the mattress on, and the bed will open without effort.

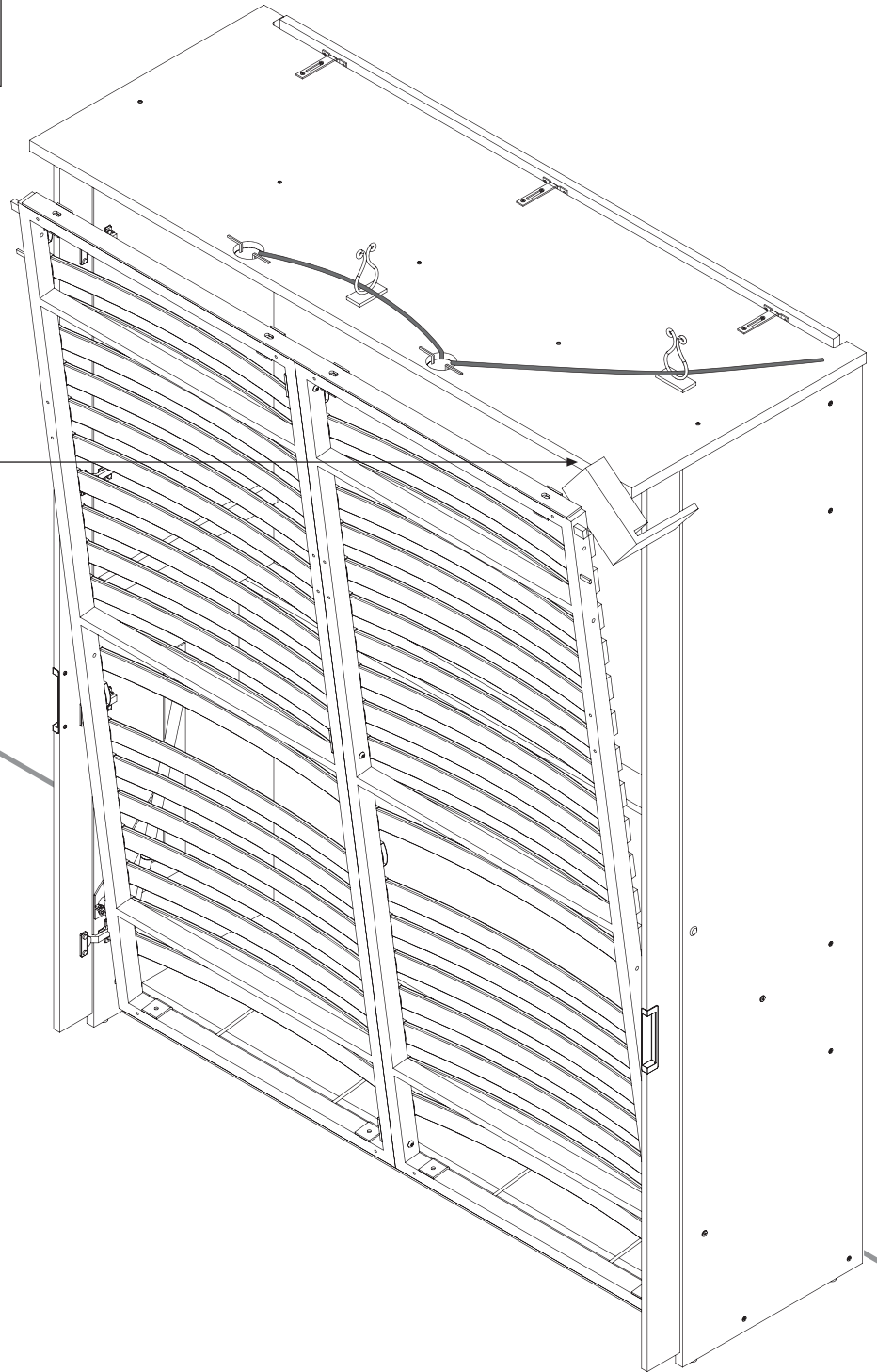
INSERT CYLINDER ON ITS SUPPORT ROD

KI-985 must be completely tightened



IMPORTANT

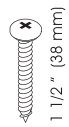
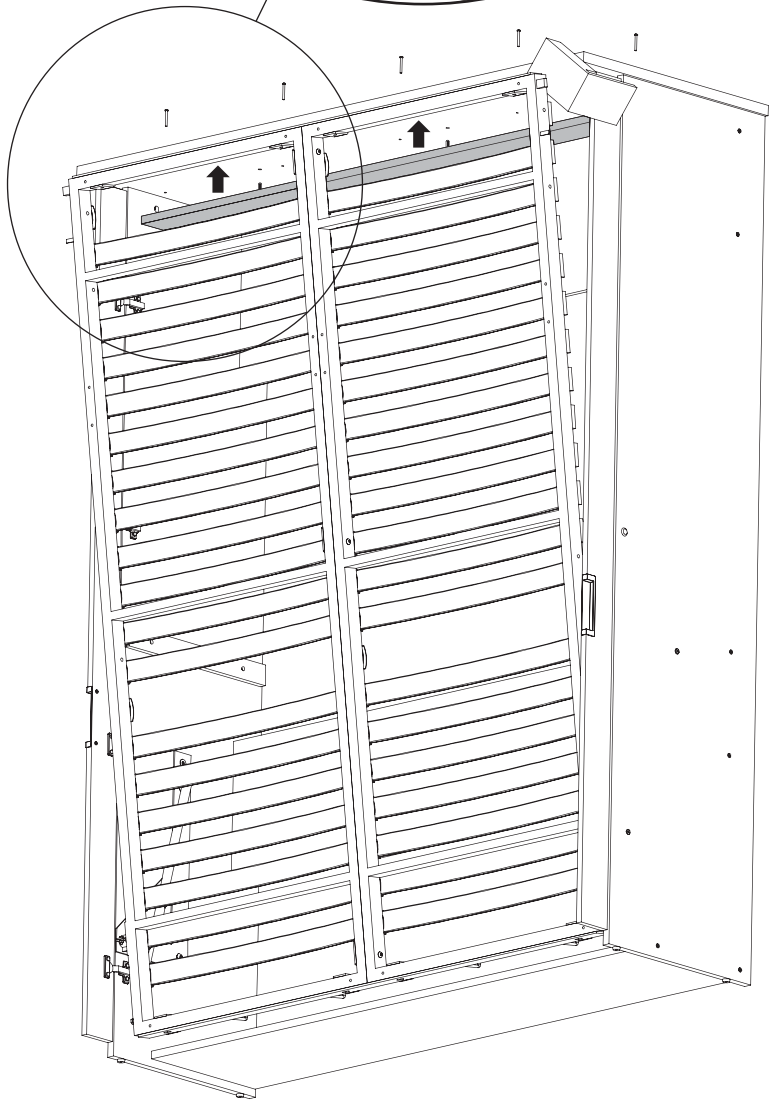
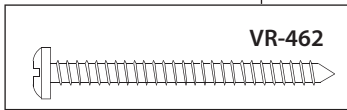
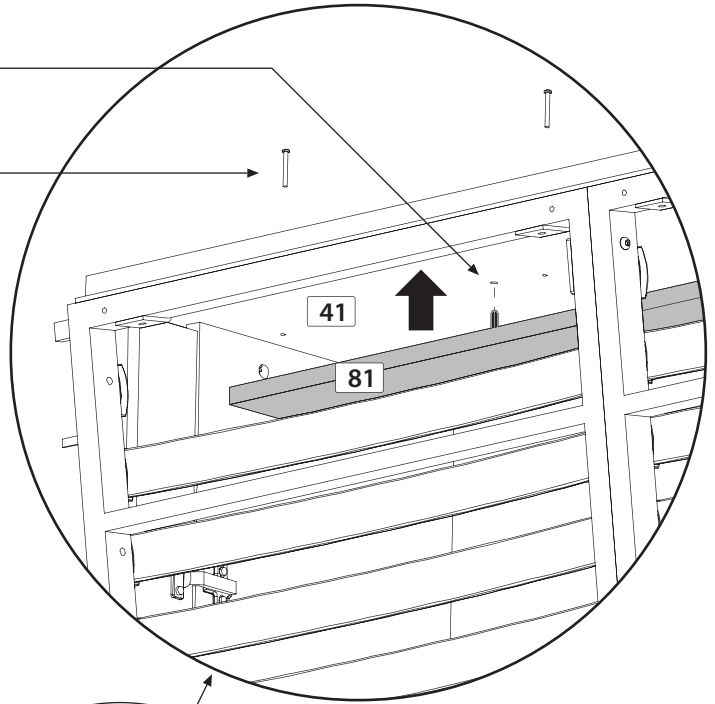
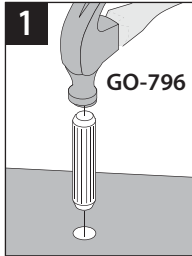
Use one of the cardboard corner pieces from packaging or similar object to keep the bed in semi-closed position for the following steps.



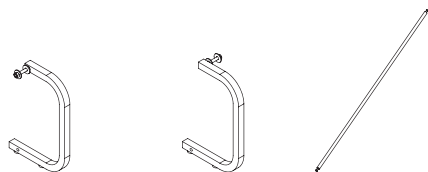
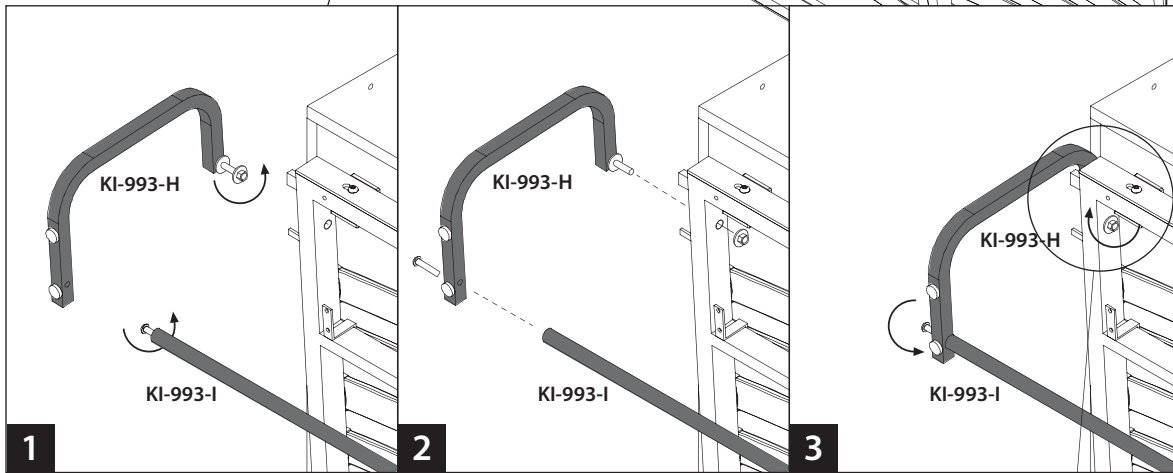
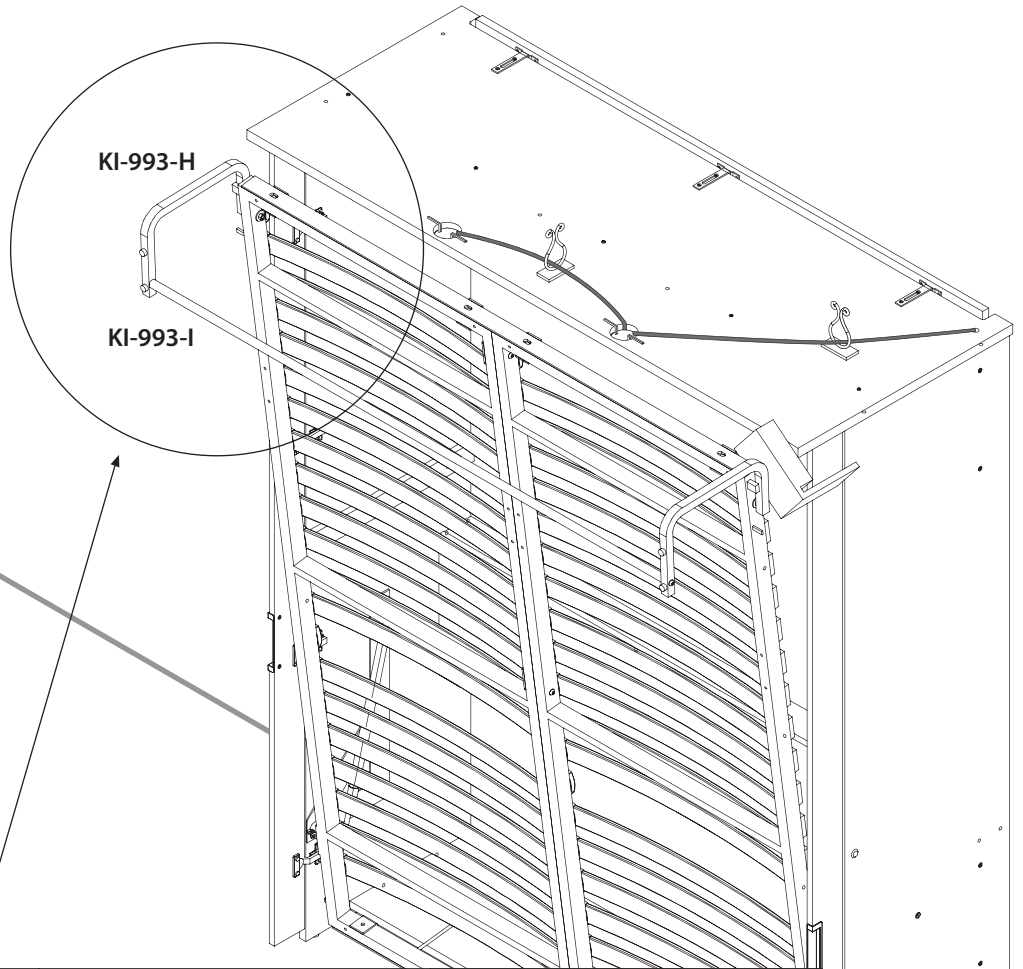
Assembling sequence

Parts:

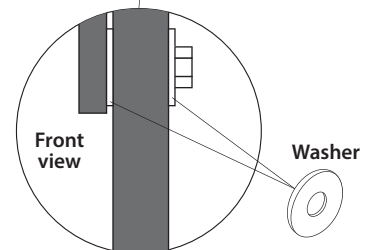
41 + 81



Code	VR-462	GO-796
Qty	x 5	x 2



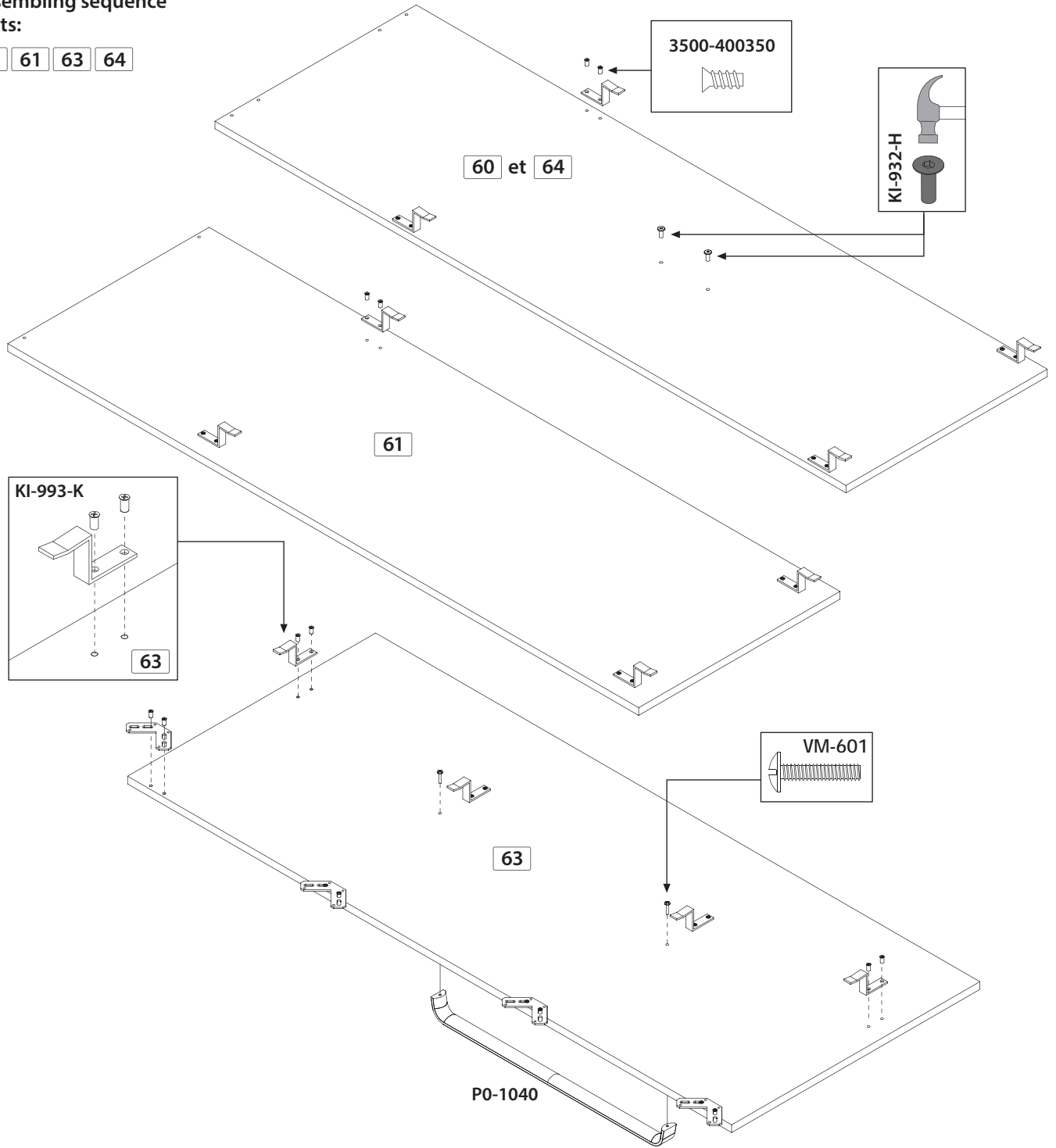
Code	KI-993-G	KI-993-H	KI-993-I
Qty	x 1	x 1	x 1



Assembling sequence

Parts:

- 60 61 63 64



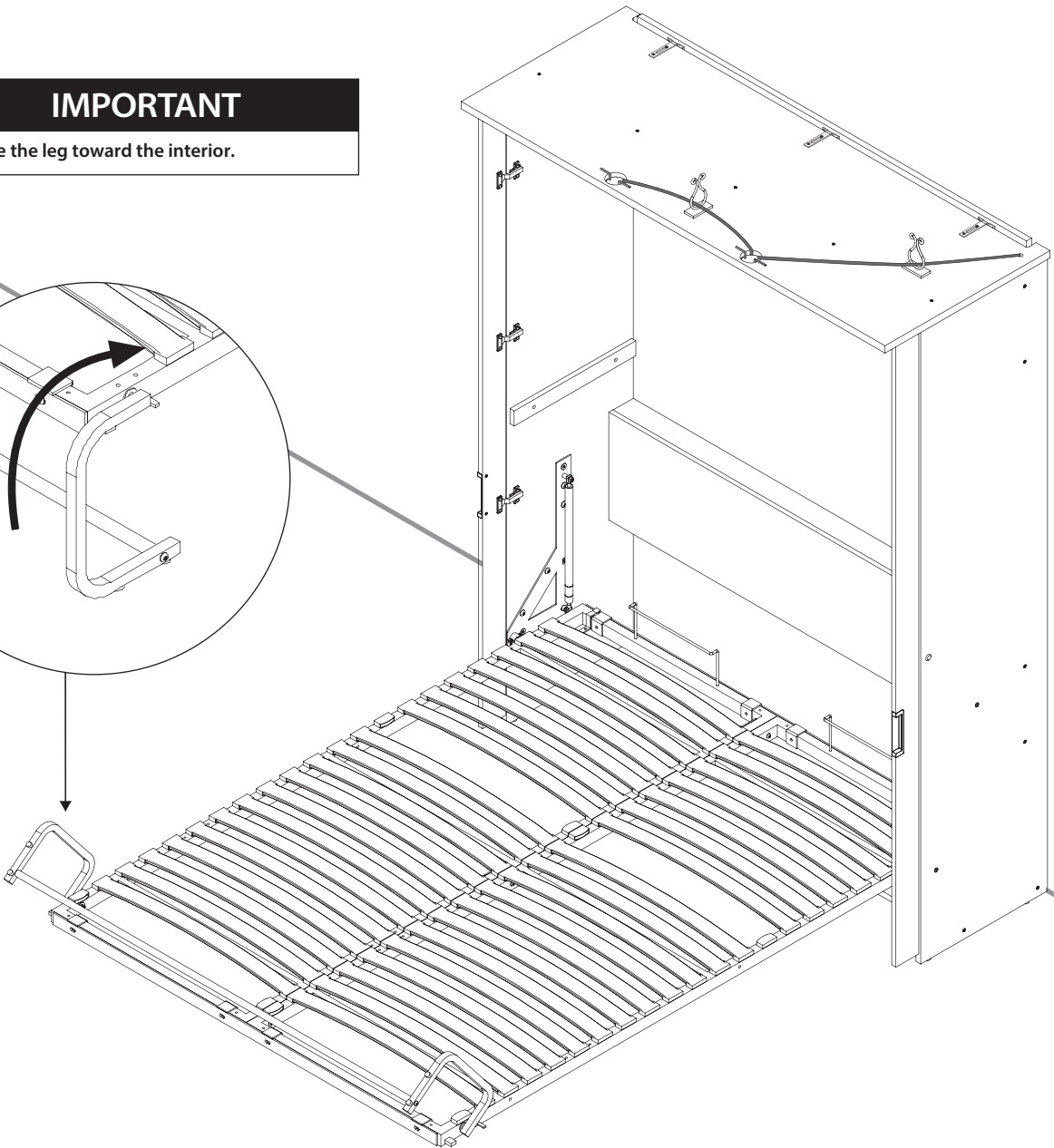
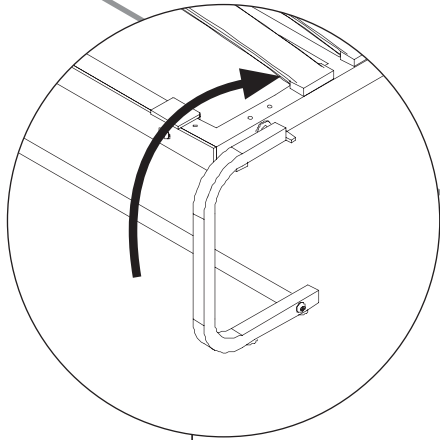
	1/2" (13 mm)		3/4" (18 mm)			3/4" (20 mm)
Code	3500-400350	EQ-143	KI-932-H	KI-993-K	PO-1040	VM-601
Qty	x 40	x 4	x 4	x 16	x 1	x 2

Do not use the screws included



IMPORTANT

Rotate the leg toward the interior.



Assembling sequence

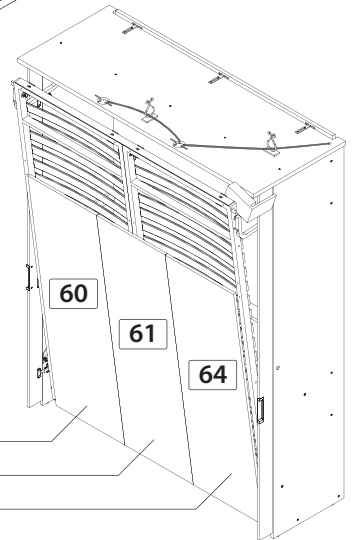
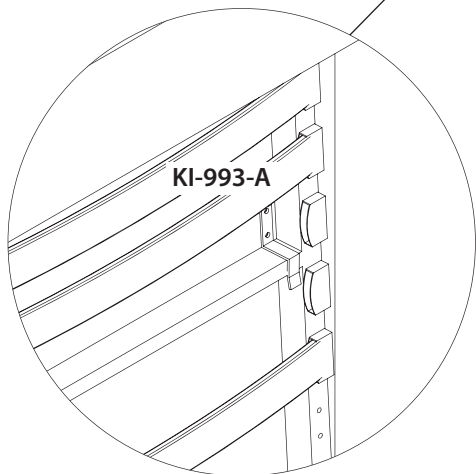
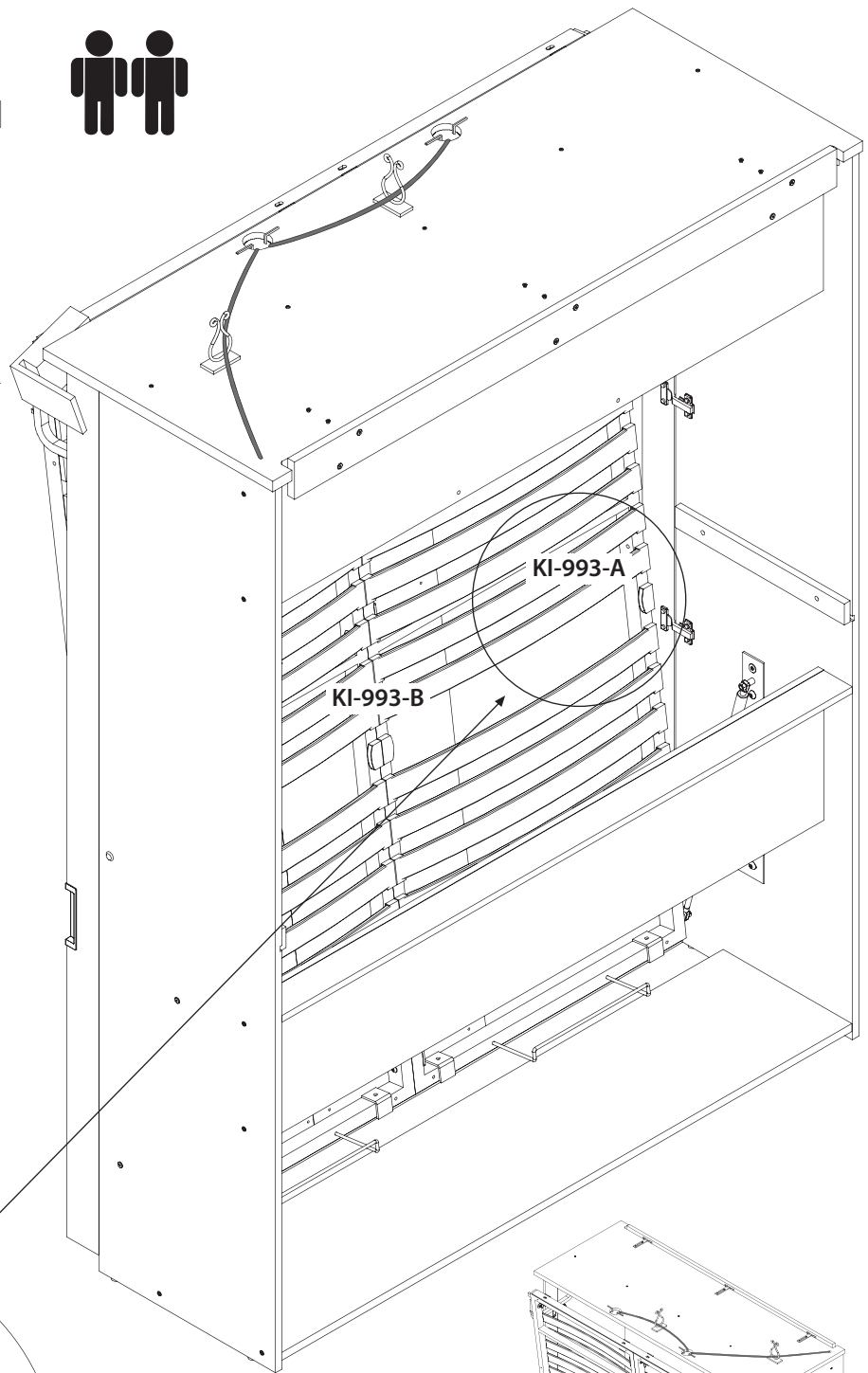
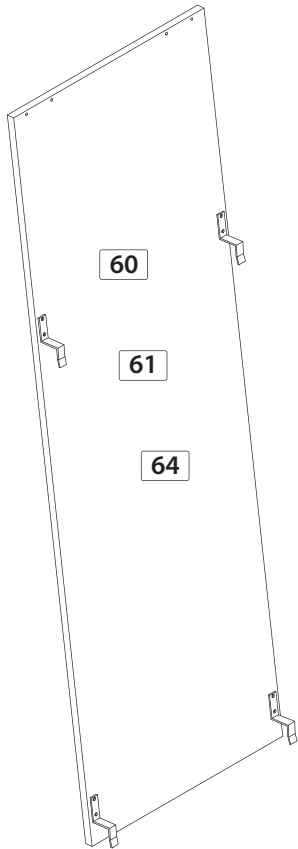
Parts:

KI-993-A KI-993-B + 60 61 64



IMPORTANT

Use one of the cardboard corner pieces from packaging or similar object to keep the bed in semi-closed position for the installation of the facades.

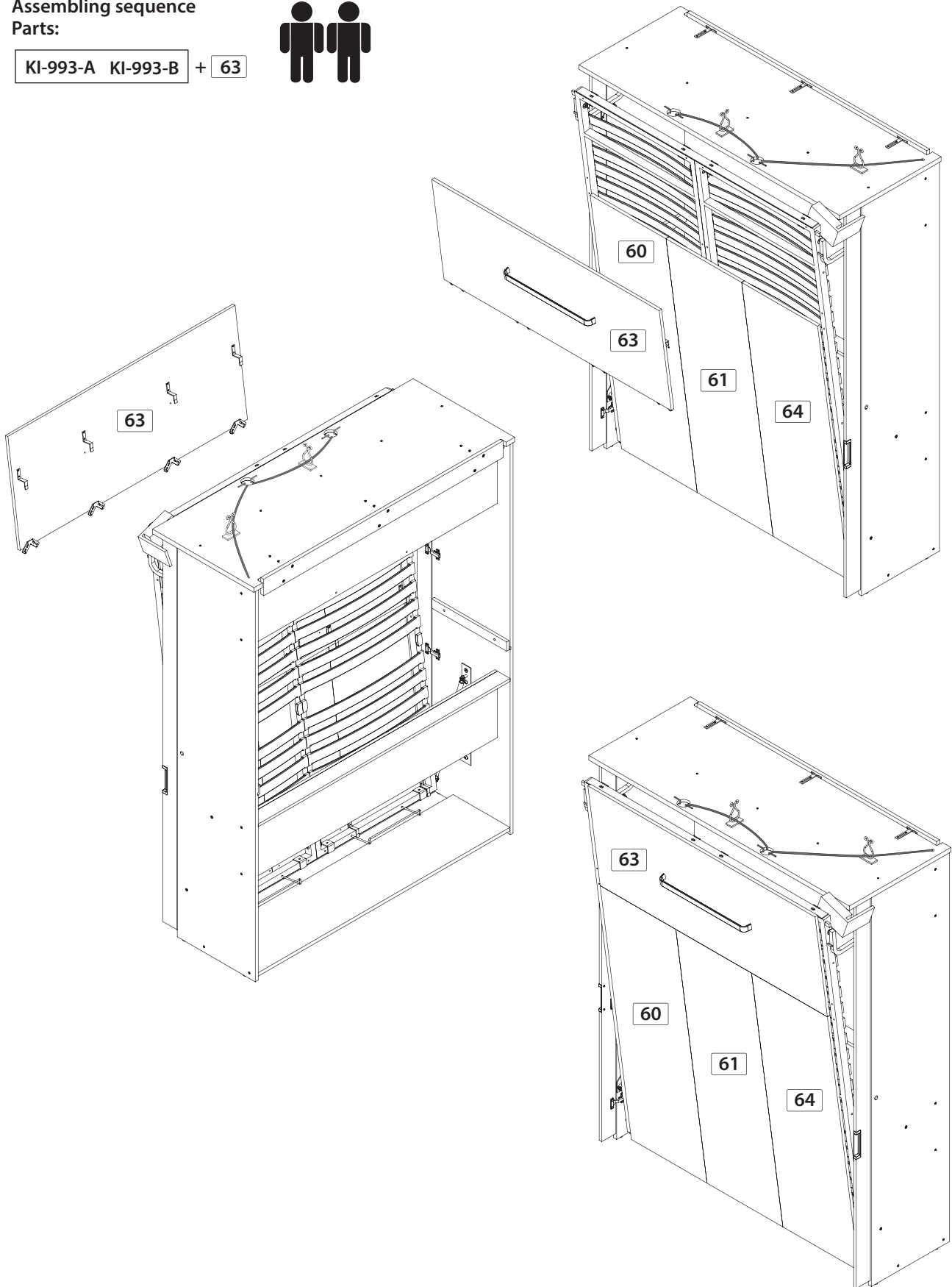


2 holes in facade
No holes
4 holes in facade

Assembling sequence

Parts:

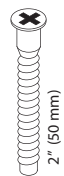
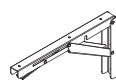
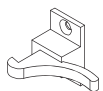
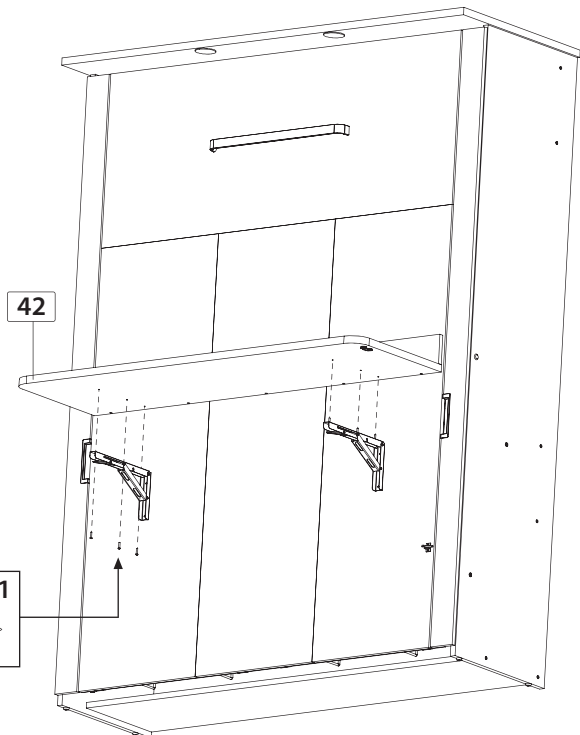
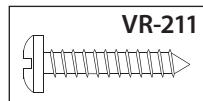
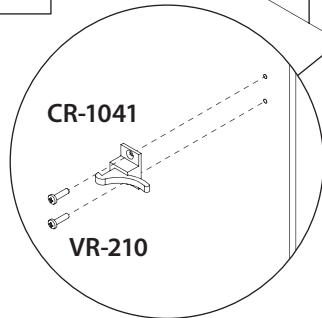
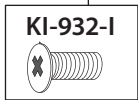
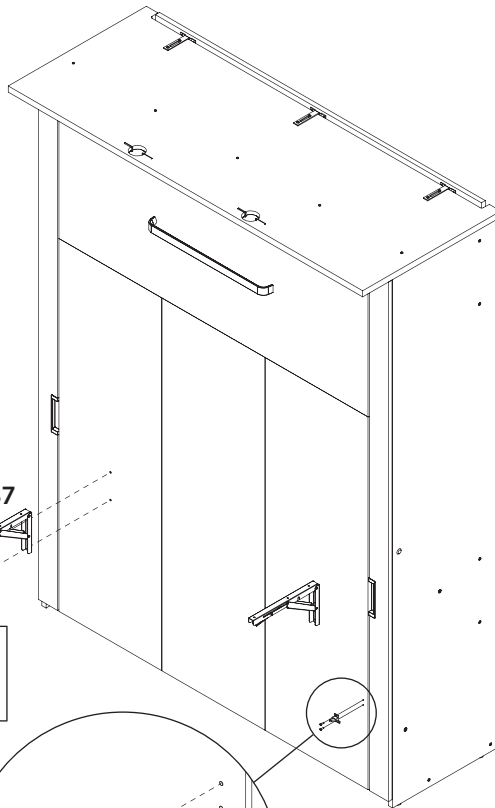
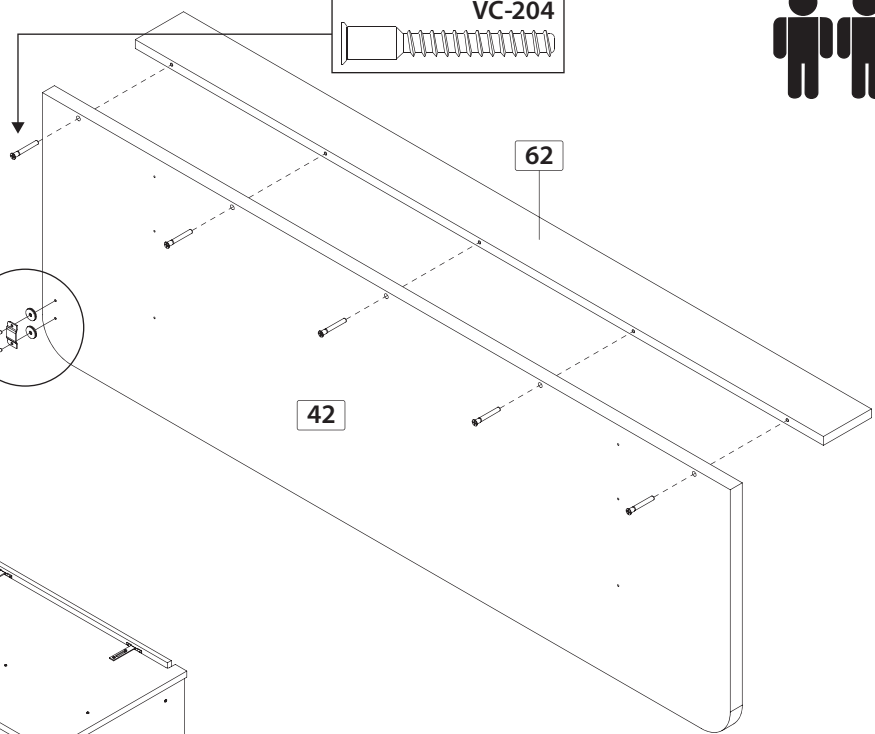
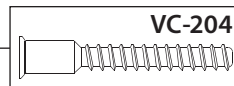
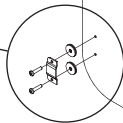
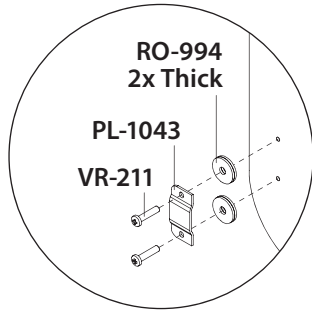
KI-993-A KI-993-B + 63



Assembling sequence

Parts:

42 62



Code	CR-1041	KI-932-I	PL-1043	RO-994	SU-1037	VC-204	VR-210	VR-211
Qty	x 1	x 4	x 1	x 4	x 2	x 5	x 2	x 8

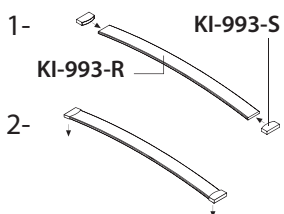
ATTENTION

Please flip down the leg before completely lowering the bed.

IMPORTANT

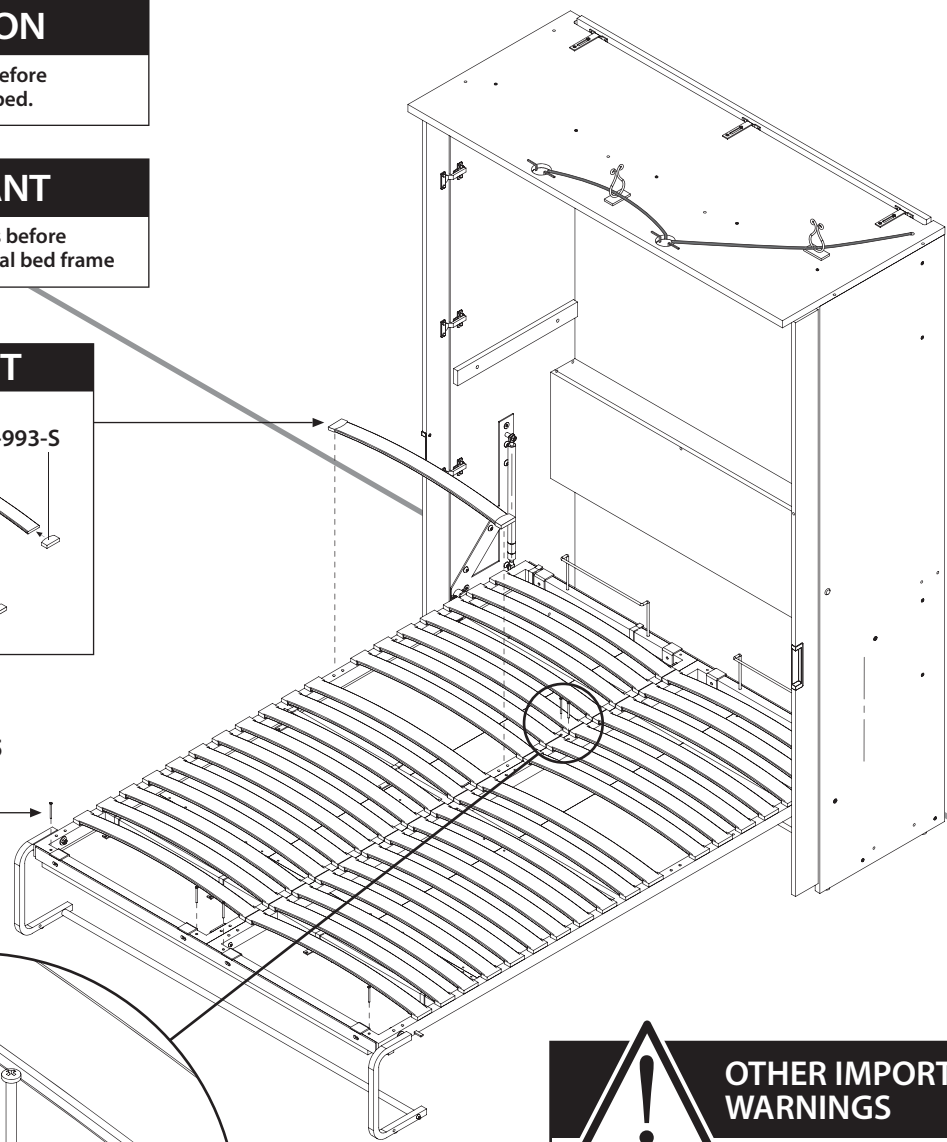
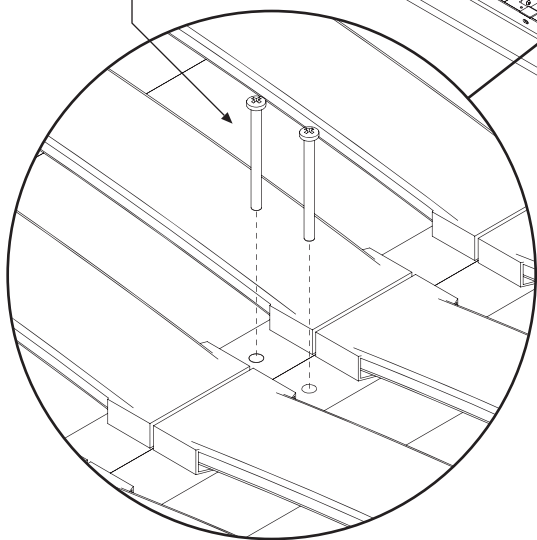
Adjust and centre facades before screwing them to the metal bed frame

IMPORTANT



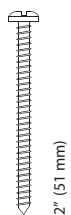
VR-215

VR-215



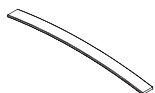
OTHER IMPORTANT WARNINGS

- After you have finished assembling your wall bed, close it. If the gap around the bed is uneven, push or gently kick the base of the CABINET on the side with the **NARROWEST** gap until desired gap is obtained.
- After you have finished assembling your wall bed, please keep the assembly book by placing it under the mattress, in the frame of the mobile part of the bed.
- Avoid placing the furniture in the sunlight or near a source of heat. Use a soft dry cloth for dusting. To clean heavy dirt, use a cloth dipped in a solution of mild detergent and water. Avoid leaving wet objects on the surface or using commercial chemical cleaning products.



VR-215

x 6



KI-993-R

x 4



KI-993-S

x 8



3500-400350

x 8

Code
Qty

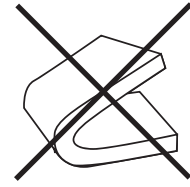
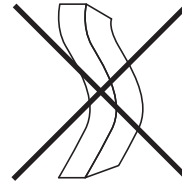
IMPORTANT NOTICE

IMPORTANT

MINIMUM AND MAXIMUM WEIGHT OF THE MATTRESS

The weight of the mattress must be between: 45 Lb (20 Kg) and 90 Lb (41 Kg).

Please make sure that the size of your mattress is suitable for your wall bed (60 x 80" / Queen) (1524 x 2032 mm) or 54 x 75" / Double (1371 x 1905 mm). Whether foam or spring, the mattress must have a maximum thickness of 10" (254 mm) and must stand in vertical position without sagging.



OTHER IMPORTANT WARNINGS

- Never close the bed with a person on the mattress, this could cause serious injuries and damage the bed mechanism.
- Never jump on the bed or leave a young child playing alone in the bed. This could cause the person to fall and could also damage the bed mechanism.
- Never close the bed with the lights on. Do not leave an electric blanket or any other sources of heat inside the closed cabinet. This could cause a fire.
- Do not leave anything on the bed which could prevent to close it properly (pillows, decorative cushion, plush toys, etc.). This can cause an unexpected or unintended opening of the bed that can cause serious injuries to people in the vicinity.
- Your bed can hold a maximum weight (static and uniformly distributed) of 1000 lb (455 Kg), including the weight of the mattress.
- Do not apply any weight on the facades, such as frames, shelves, hooks.
- The wall bed must always rest on its legs when it is open. If this is not the case, you could damage the bed mechanism and/or the door of the bed and/or the floor. Before closing the bed, always flip the leg inward to not damage the furniture.
- If the bed mechanism or a panel is damaged for any reason, please stop using the bed and contact us to get the instructions and the parts required for the repair (if possible). Do not continue to use a damaged bed and don't try to fix it yourself without instructions. This could cause a malfunction, an unexpected or involuntary opening or closing or a collapse of its structure, which can cause serious injuries to people in the vicinity.

WE AND OUR DISTRIBUTORS (AND OUR RESPECTIVE OFFICERS, DIRECTORS, AGENTS AND SERVANTS) SHALL NOT BE LIABLE OR OBLIGATED IN ANY MANNER FOR ANY DIRECT, PUNITIVE, EXEMPLARY, SPECIAL, INDIRECT, INCIDENTAL OR CONSEQUENTIAL DAMAGES OF ANY KIND, REGARDLESS OF THE FORM OF ACTION, WHETHER IN CONTRACT, TORT, NEGLIGENCE, STRICT PRODUCT LIABILITY OR OTHERWISE, ARISING OUT OF OR IN CONNECTION WITH IMPROPER ANCHORING OF THE BED OR NON-COMPLIANCE TO THE ANCHORING PROCEDURE OF THIS DOCUMENT.

DISASSEMBLY

Important information to read before starting the disassembly.
Keep this information for future reference.

IMPORTANT WARNINGS

Bed may tip over and you may be seriously injured if you don't follow these instructions.

- Only a qualified person * must proceed with the disassembly of the wall bed, as well as the reinstallation and any possible adjustment.
- Improper disassembly of the wall bed may cause serious injuries to the installer as well as the people near the bed.

THE BED SHOULD REMAIN ANCHORED TO THE WALL FOR THE FOLLOWING STEPS (1 TO 9).

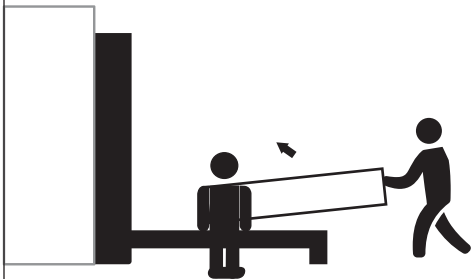


* **Qualified person:** It is necessary to have a good understanding of the wall anchors that were used during the original installation on your wall structure of wood, metal, masonry or any other type of wall. **If you don't have the necessary skills**, make sure that the disassembly is done by someone who has the qualifications and required knowledge, and that he or she follows the required steps. When you choose the installer, make sure to comply with all applicable regulations in the province, state or country where the furniture is installed.

We are released from any responsibility and will void the warranty if the disassembly is not performed according to the instructions in this manual. We and our distributors (and our respective ofcers, directors, agents and servants) shall not be liable or obligated in any manner for any direct, punitive, exemplary, special, indirect, incidental or consequential damages of any kind, regardless of the form of action, whether in contract, tort, negligence, strict product liability or otherwise, arising out of or in connection with improper anchoring of the bed or non-compliance to the anchoring procedure of this document.

IMPORTANT: THE BED SHOULD REMAIN ANCHORED TO THE WALL FOR THE FOLLOWING STEPS (1 TO 9).

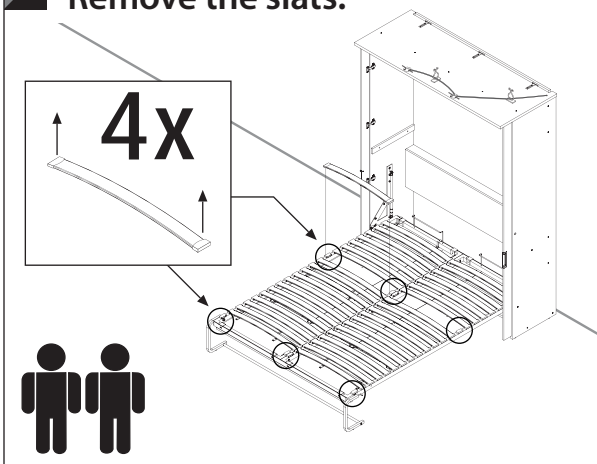
1 Remove the mattress.



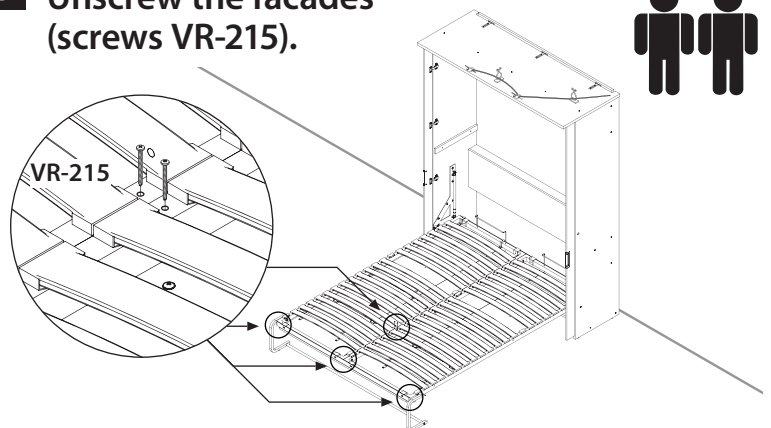
By removing the mattress,
the bed frame will rise quickly.



2 Remove the slats.

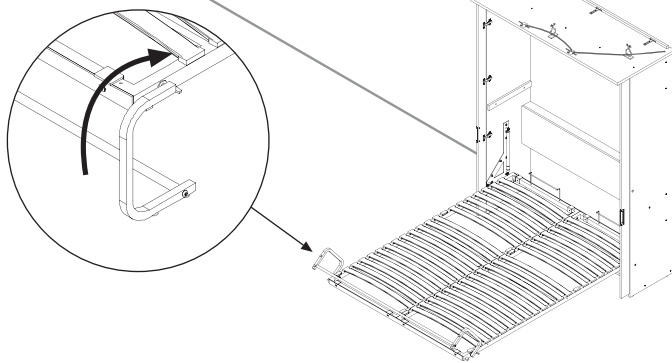


3 Unscrew the facades (screws VR-215).

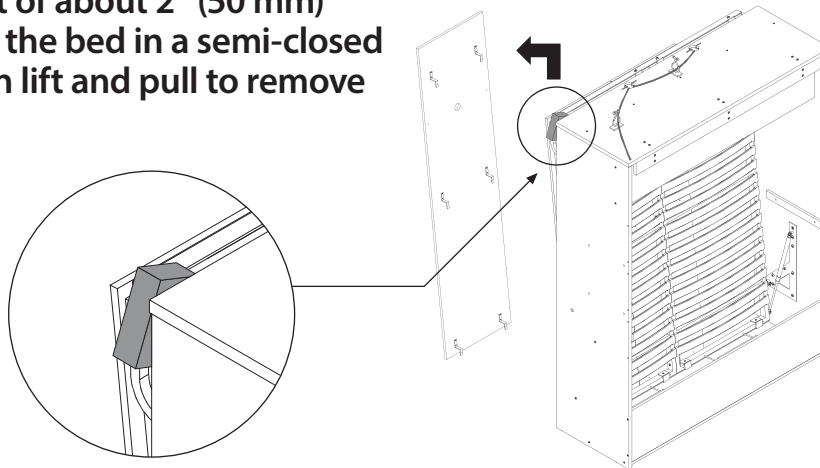


DISASSEMBLY

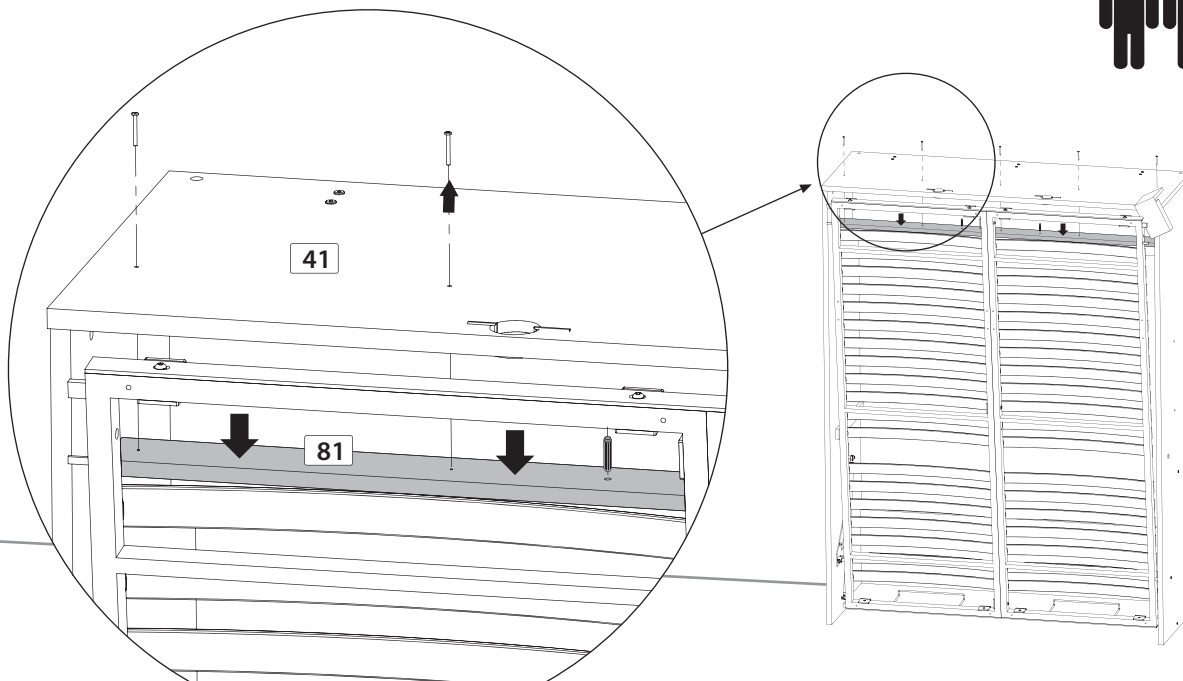
4 Rotate the leg towards the interior.



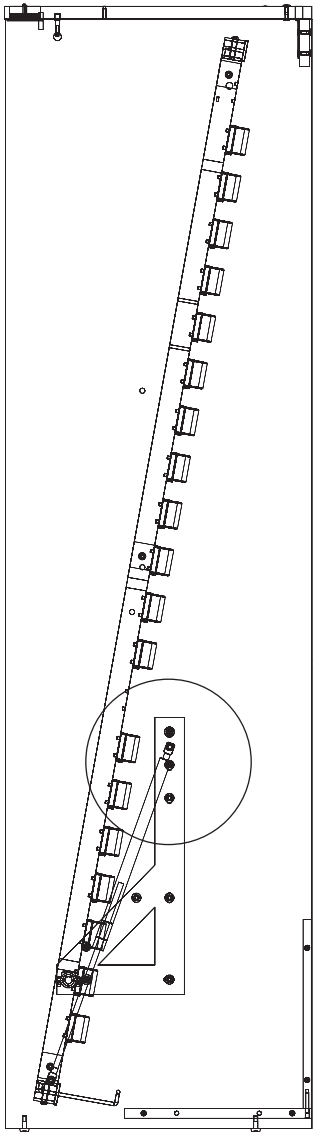
5 Use an object of about 2" (50 mm) thick to keep the bed in a semi-closed position, then lift and pull to remove the facades.



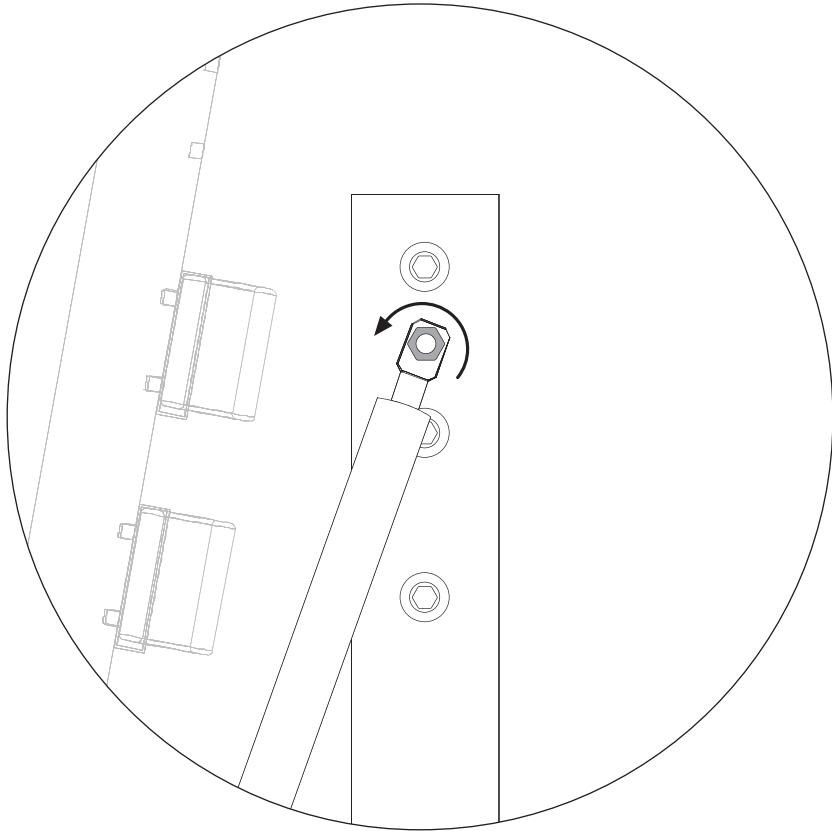
6 Take off the top molding (#81) by removing the 5 screws VR-462 on top.



7 Let the bed frame sink back into the cabinet and remove the cylinders.

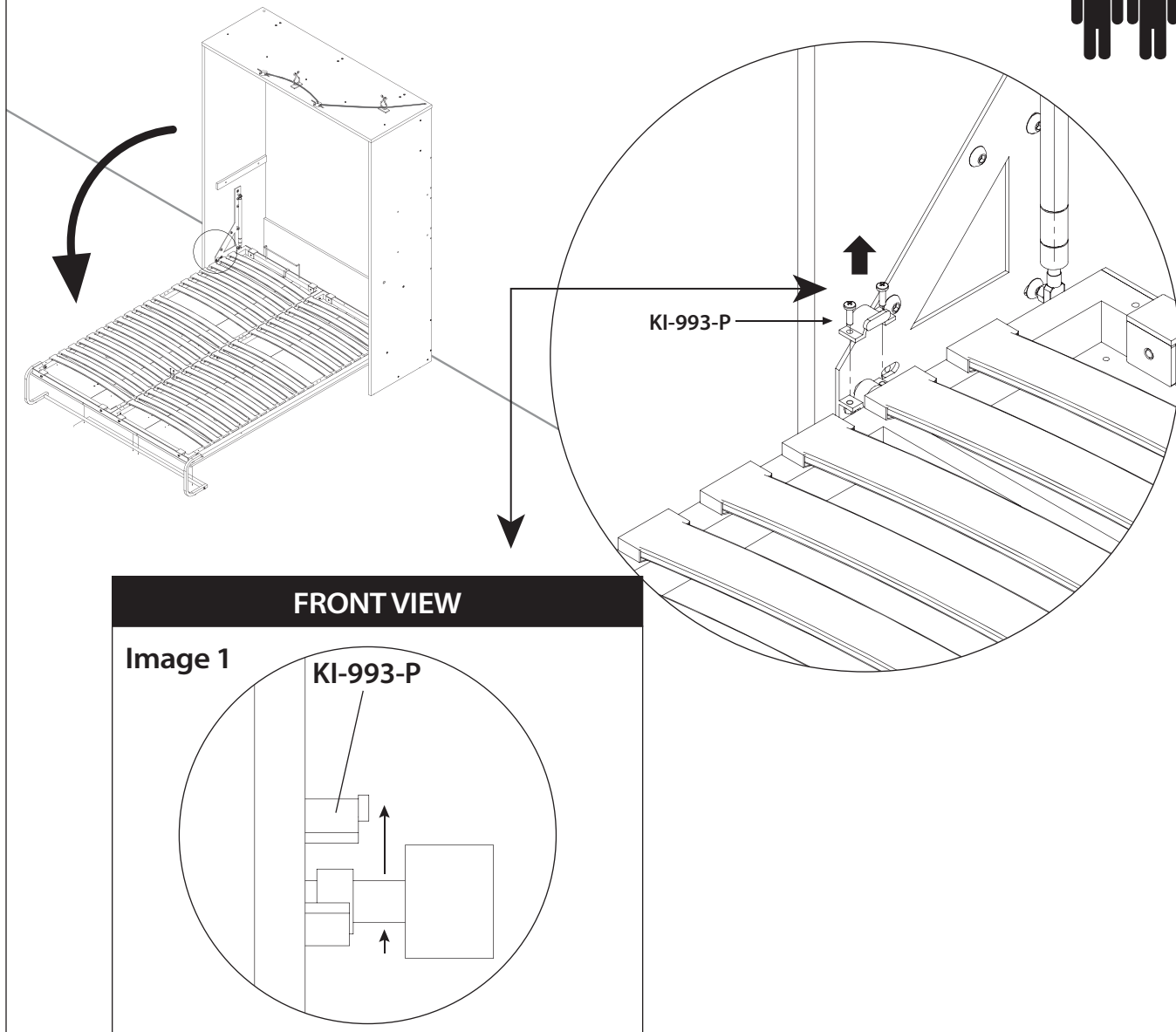


UNSCREW THE CYLINDERS OF THE L BRACKETS.



DISASSEMBLY

8 Unscrew and remove the bearing supports.



9 Now you can unscrew the bed from the wall and continue the disassembly.