



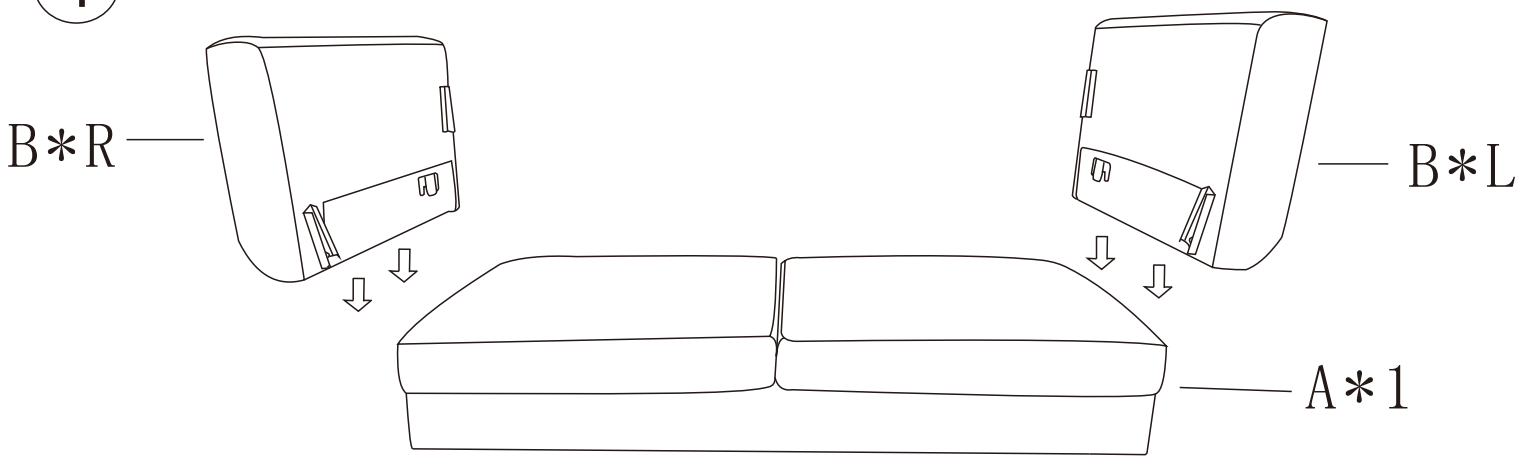
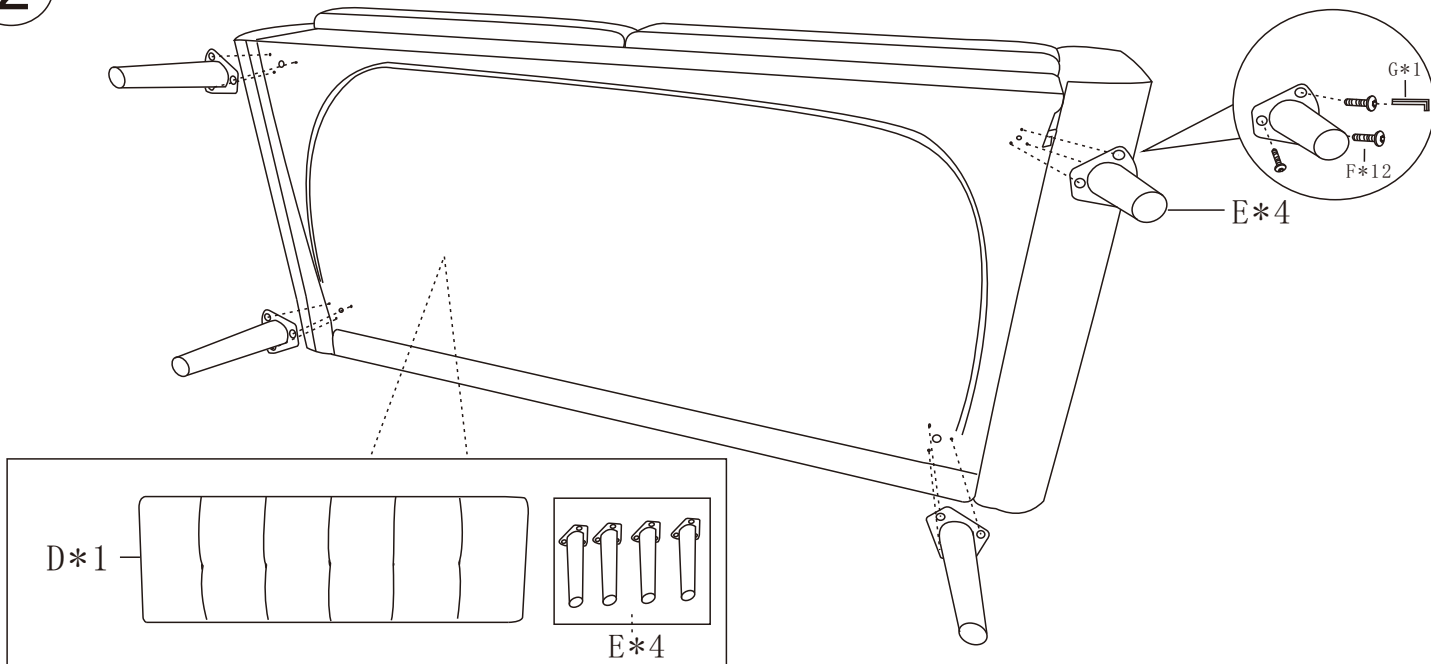

A*1	B*L	B*R	C*1
		 M6*16	
D*1	E*4	F*12	G*1

1

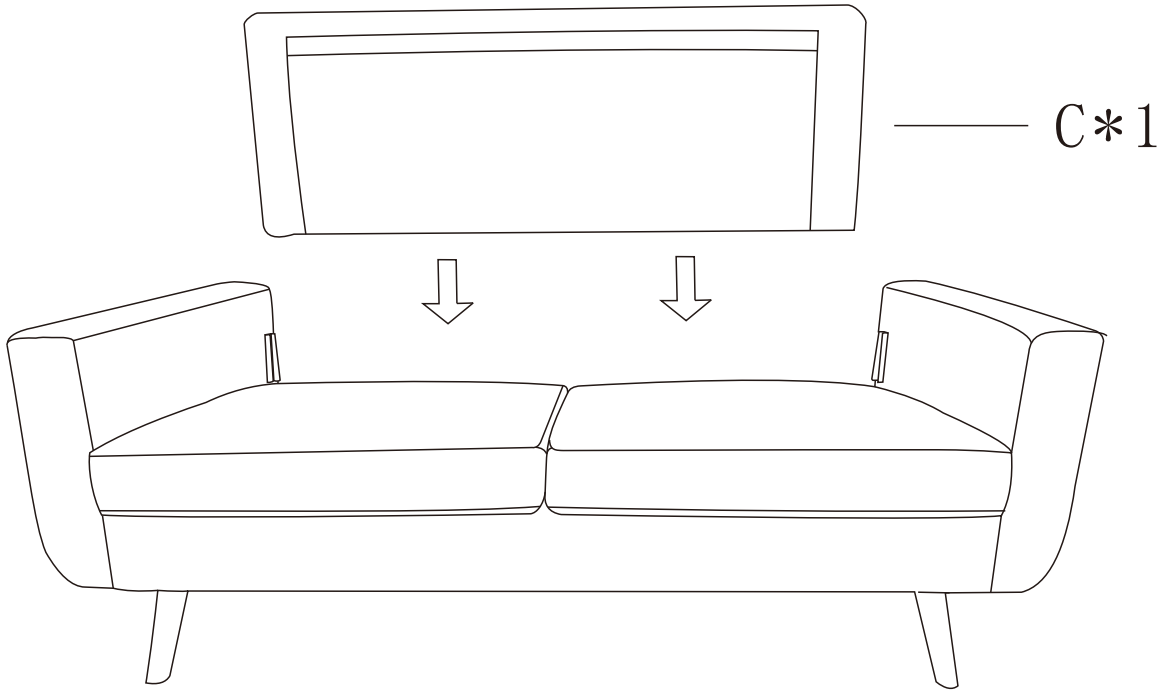


2

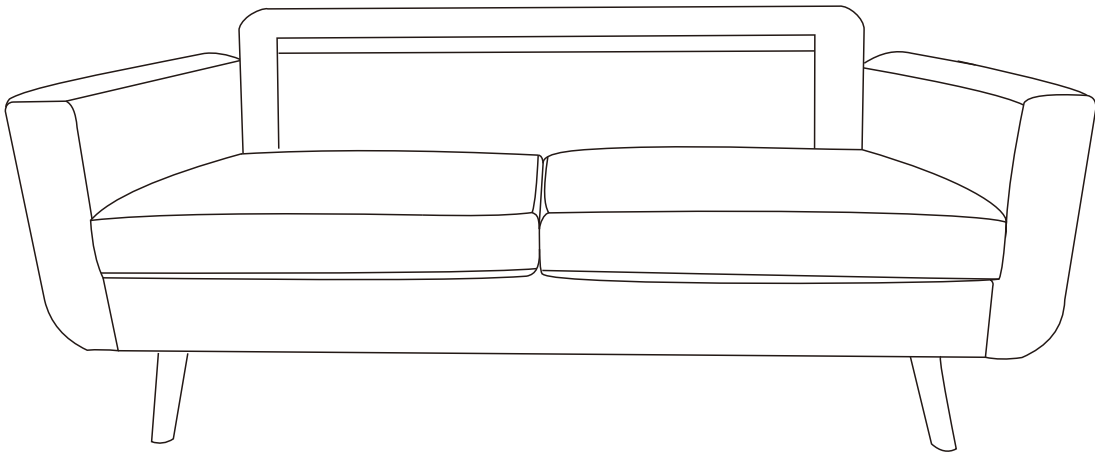


The backrest is inside the base cloth

3



4



5

