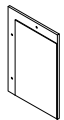
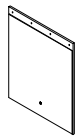
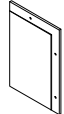
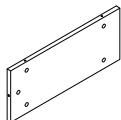
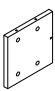
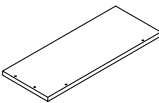
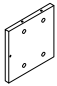
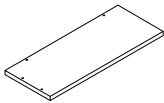
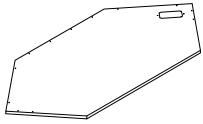

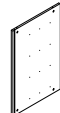
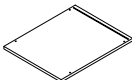

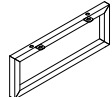
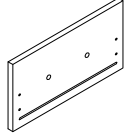
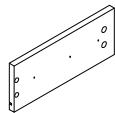
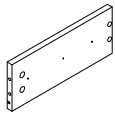
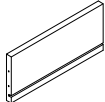
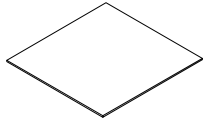
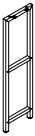
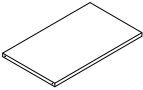
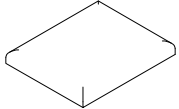


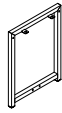
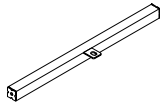
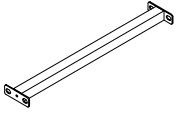
▲ "IMPORTANT,RETAIN FOR FUTURE REFERENCE:READ CAREFULLY"

1. Two or more people are needed to complete the installation.
2. Please protect the wires and remote control accessories from damage during installation.
3. Professional installation is highly recommended.
4. Assemble on a flat, clean and soft surface.










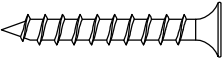
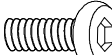

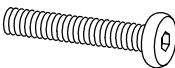
Item no.	Reference Image	Qty.
①		X1
②		X1
③		X1
④		X2
⑤		X1
⑥		X1
⑦		X1
⑧		X1
⑨		X1



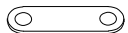




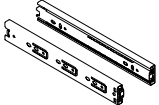
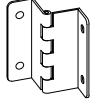

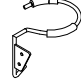


Item no.	Reference Image	Qty.
⑩		X1
⑪		X1
⑫		X1
⑬		X1
⑭		X2
⑮		X4
⑯		X4
⑰		X4
⑱		X4

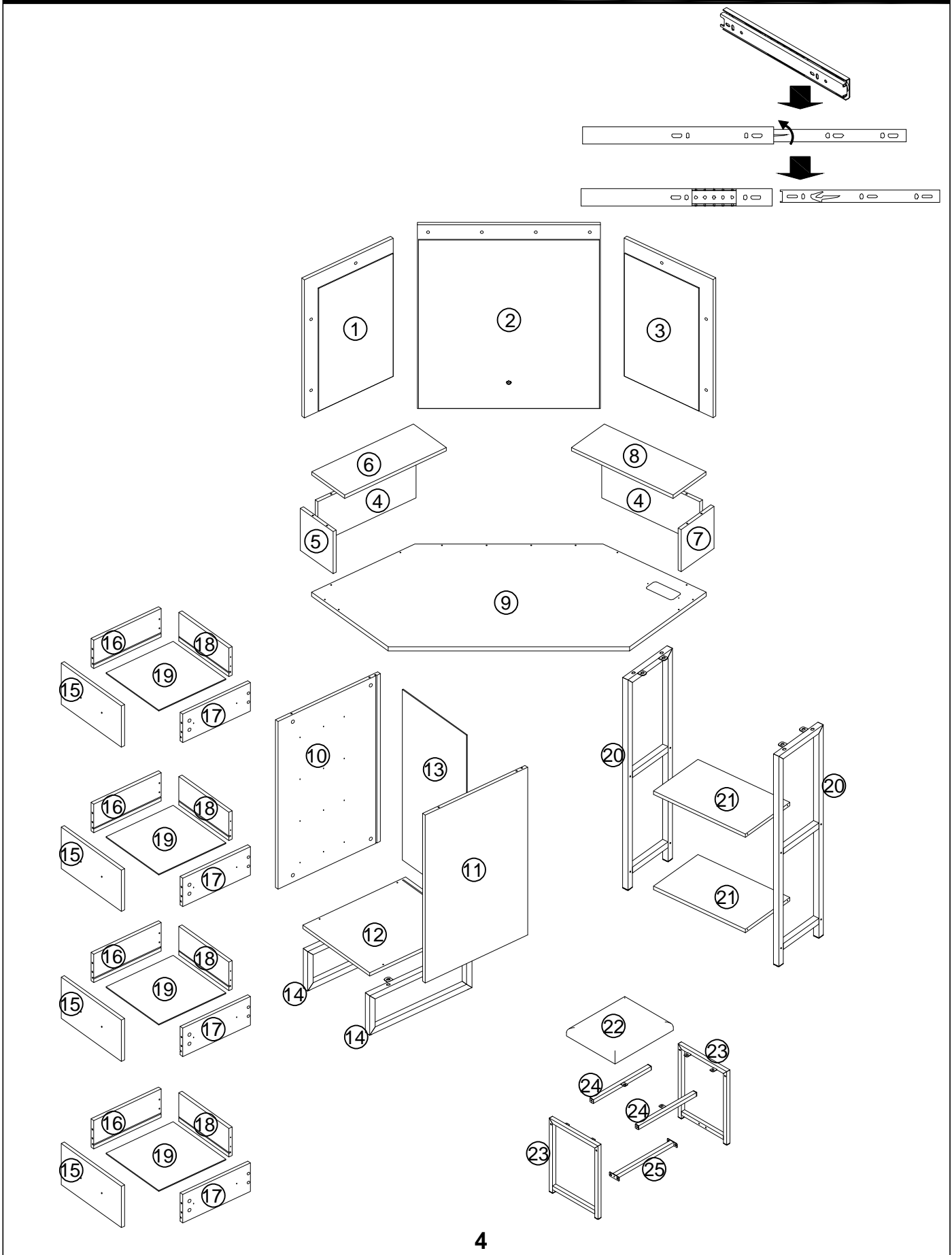
Item no.	Reference Image	Qty.
19		X4
20		X2
21		X2
22		X1

Item no.	Reference Image	Qty.
23		X2
24		X2
25		X1



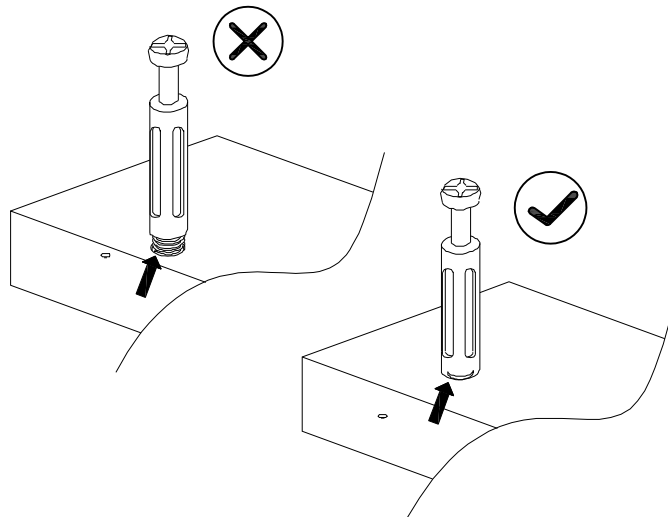
Item no.	Reference Image	Qty.
(A)	 Ø12 x 10mm	X46
(B)		X46
(C)	 Ø5/32" x 15mm	X8
(D)	 ST3.5X9mm	X48
(E)	 ST3.5X12mm	X2
(F)	 ST4X50mm	X8
(G)	 ST3.5X9mm	X16
(H)	 ST3.5X12mm	X6
(I)	 ST3.5X15mm	X8
(J)	 ST4X35mm	X16
(K)	 Ø1/4" x 12mm	X12
(L)	 Ø1/4" x 15mm	X6
(M)	 Ø1/4" x 30mm	X12

Item no.	Reference Image	Qty.
(N)		X1
(O)		X8
(P)		X2
(Q)		X9
(R)		X1
(S)		X10
(T)		X1
(U)	 L250mm	X4
(V)		X4
(W)		X1
(X)		X1
(Y)		X4
(Z)		X1

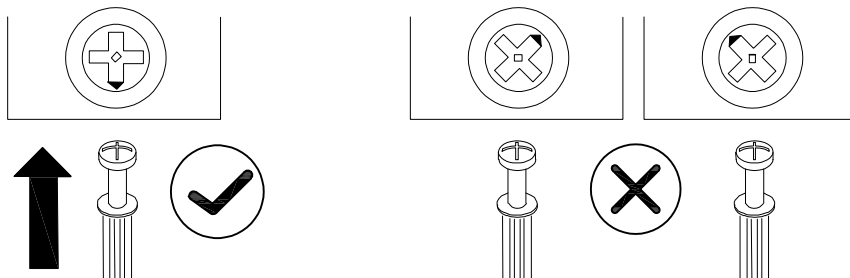


USING CAM LOCK AND QUICKFIT

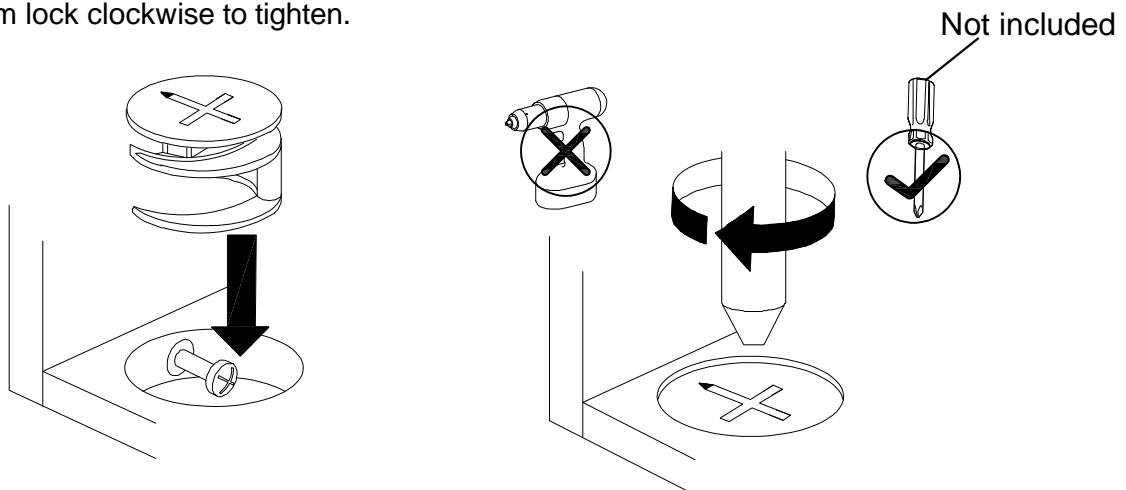
Tighten quickfit until shoulder is flush with panel. Do not overtighten or undertighten.



When fitting cam lock, ensure starting position is correct before you insert connecting quickfit.

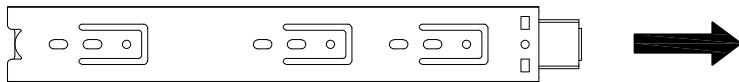


Quickfit head should be in the centre of the cam lock when the two panels are joined.
Cam lock should be inserted before quickfit.
Turn cam lock clockwise to tighten.

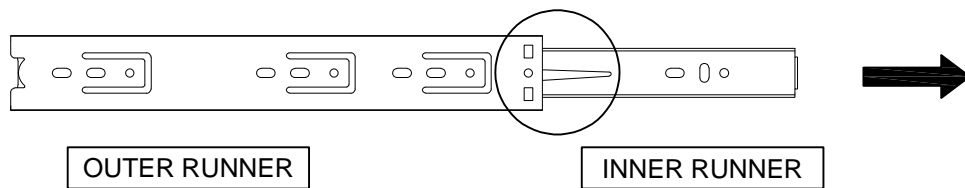


PRE-FIX DRAWER RUNNER INSTRUCTIONS

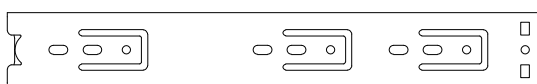
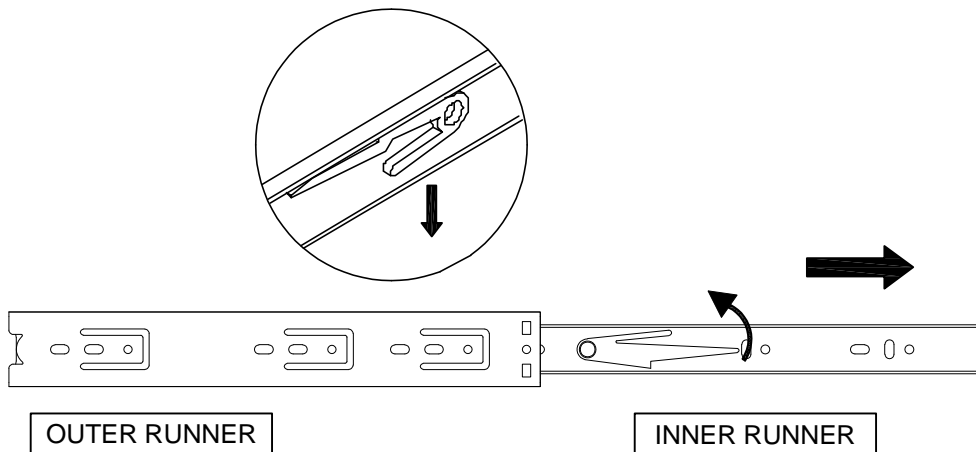
Pull inner and outer drawer runners apart before fixing them to panels.



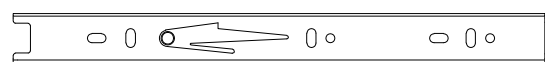
Slide drawer runners apart until the drawer lock can be seen, as shown.



Press and hold the drawer runner lock and then continue to slide drawer runners apart, as shown.

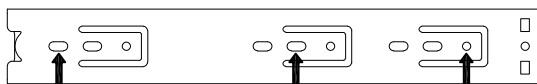


U1 OUTER RUNNER

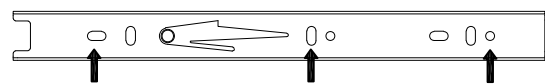


U2 INNER RUNNER

Your inner and outer drawer runners are ready to be fixed to panels.



U1 OUTER RUNNER


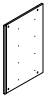
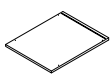


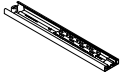


U2 INNER RUNNER

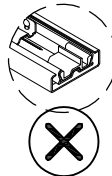
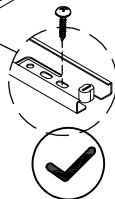
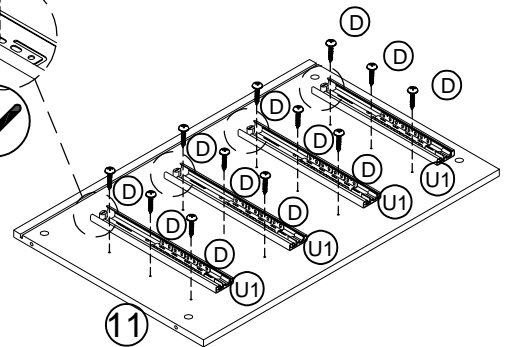
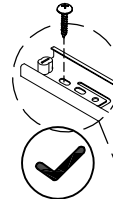
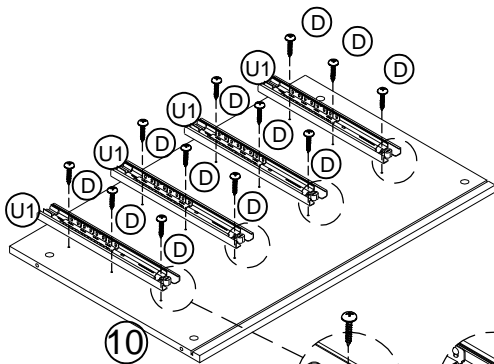
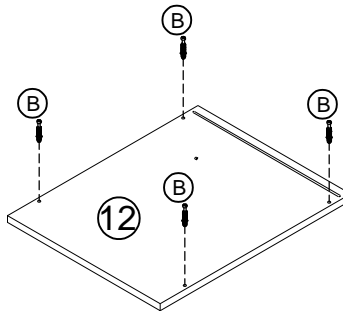
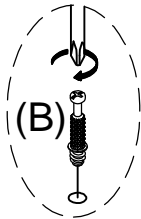
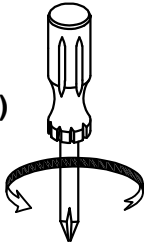
▲ When installing the outer guide rail, please use the guide rail notch to assemble towards the inner direction of the drawer. Please fix the screws according to the marked position. If the installed position is changed, adjust it side-to-side at the marked position.

▲ When installing the inner guide rail, please use the guide rail notch to assemble towards the inner direction of the drawer. Please fix the screws according to the marked position. If the installed position is changed, adjust it up and down at the marked position.

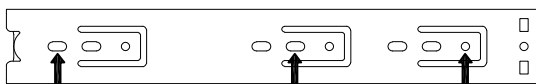
1

-  ⑩ 1pc
-  ⑪ 1pc
-  ⑫ 1pc
-  ⑬ 4pcs
-  ⑭ 24pcs
-  ⑮ 8pcs

Screwdriver
(No included)

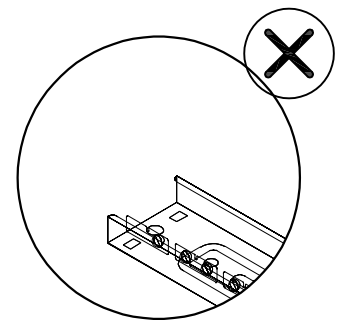
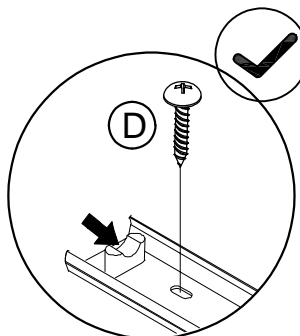


Note: Installing the slide will block the hole of part B (eccentric wheel), so it is recommended to first install part B (eccentric wheel) into its corresponding hole before installing the slide.



⑮

Align the screws with the center of the mounting hole of the guide rail.



2



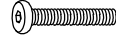
⑭ 2pcs



Ⓐ 4pcs



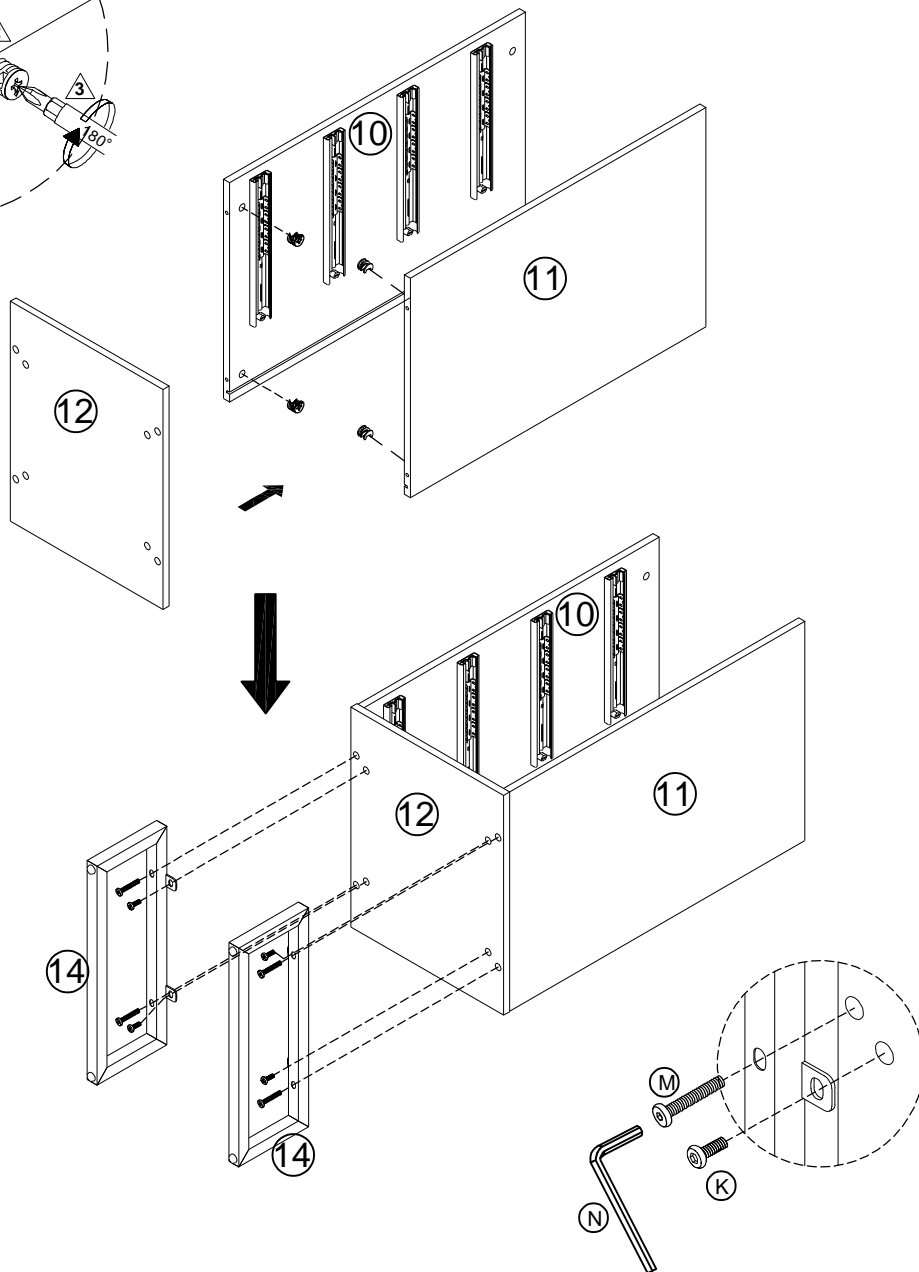
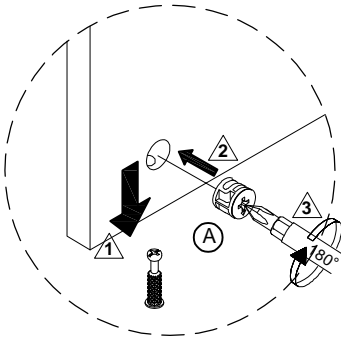
Ⓚ 4pcs



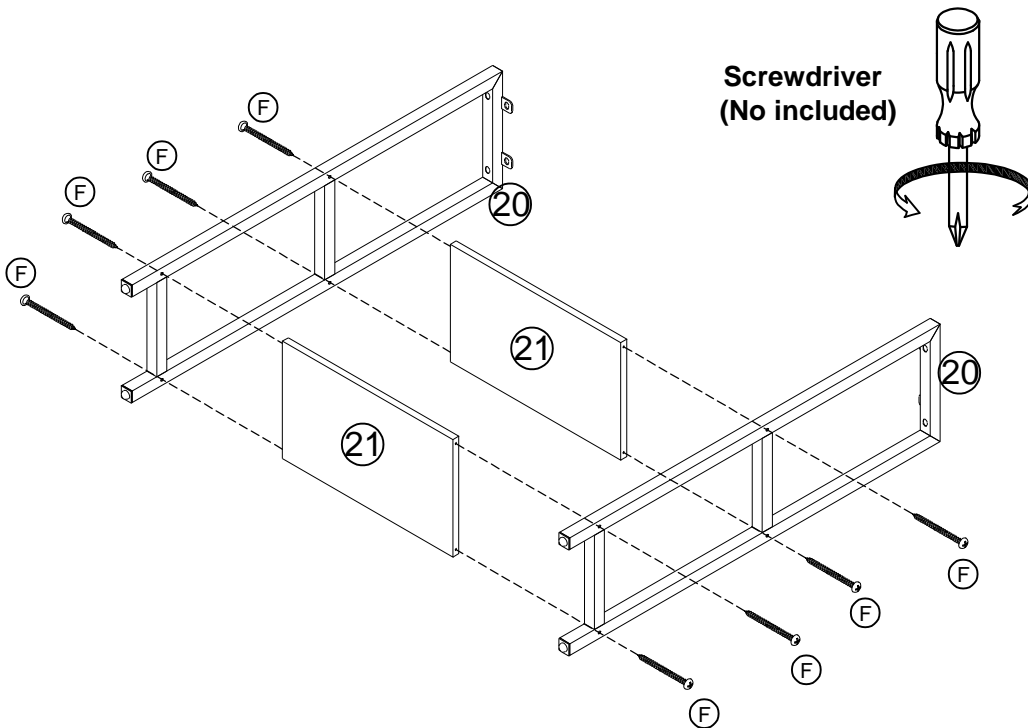
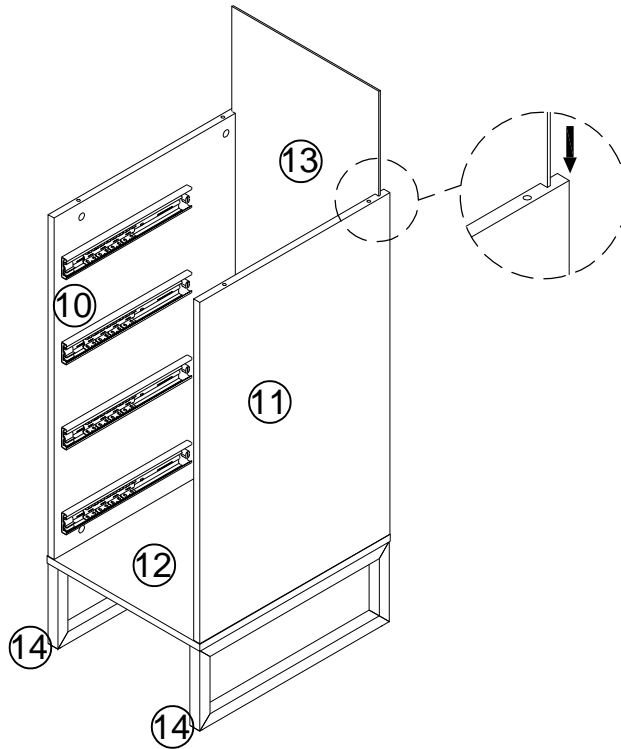
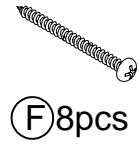
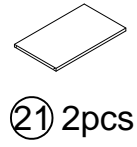
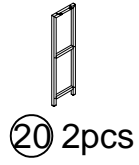
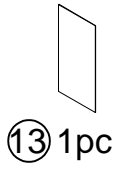
Ⓜ 4pcs



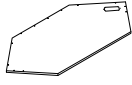
Ⓝ 1pc



3



4



⑨ 1pc



Ⓐ 4pcs



Ⓑ 4pcs



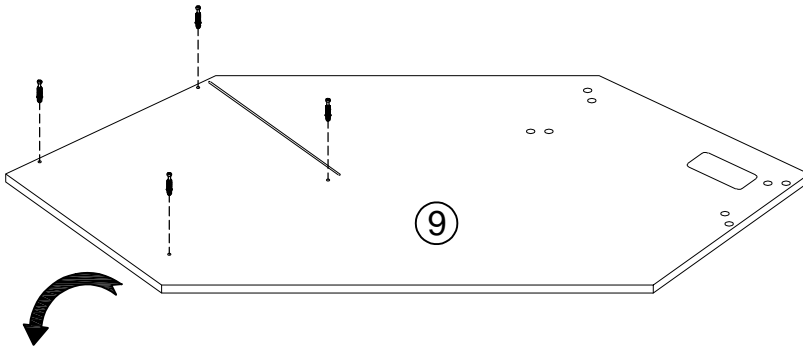
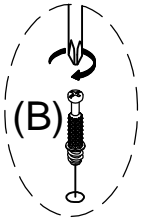
Ⓚ 4pcs



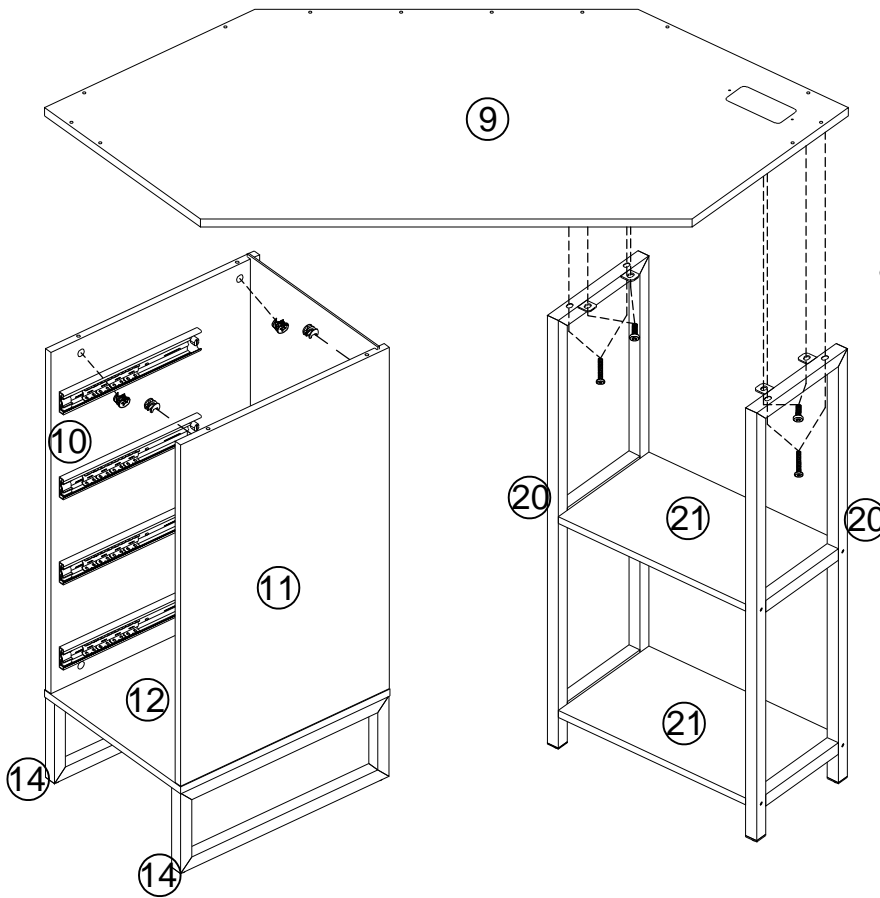
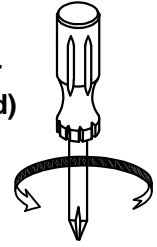
Ⓜ 4pcs



Ⓝ 1pc



Screwdriver
(No included)



5



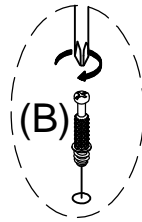
(B) 12pcs



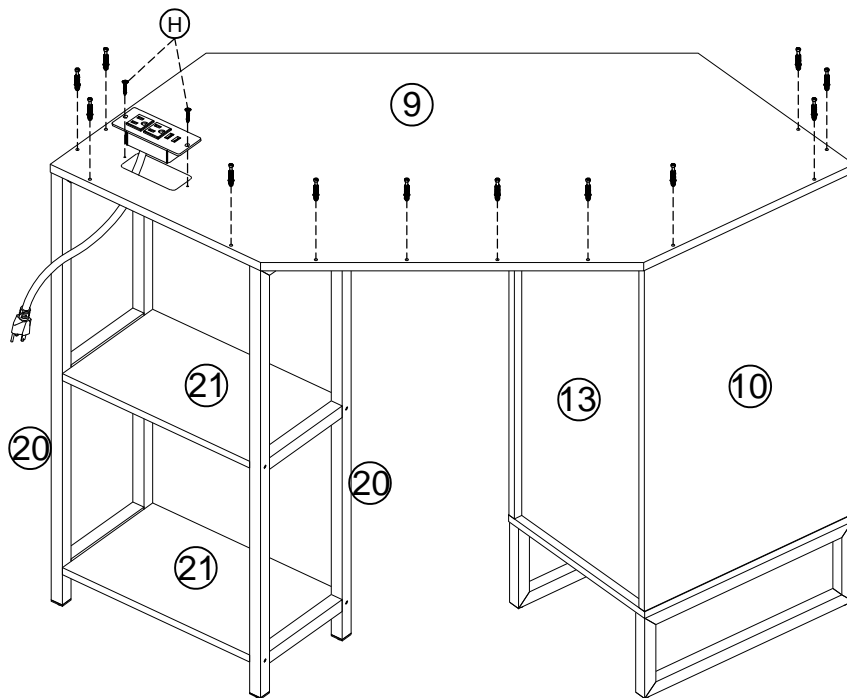
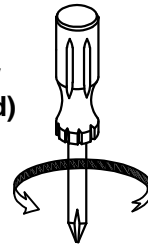
(H) 2pcs



(W) 1pc

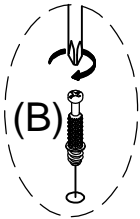


Screwdriver
(No included)

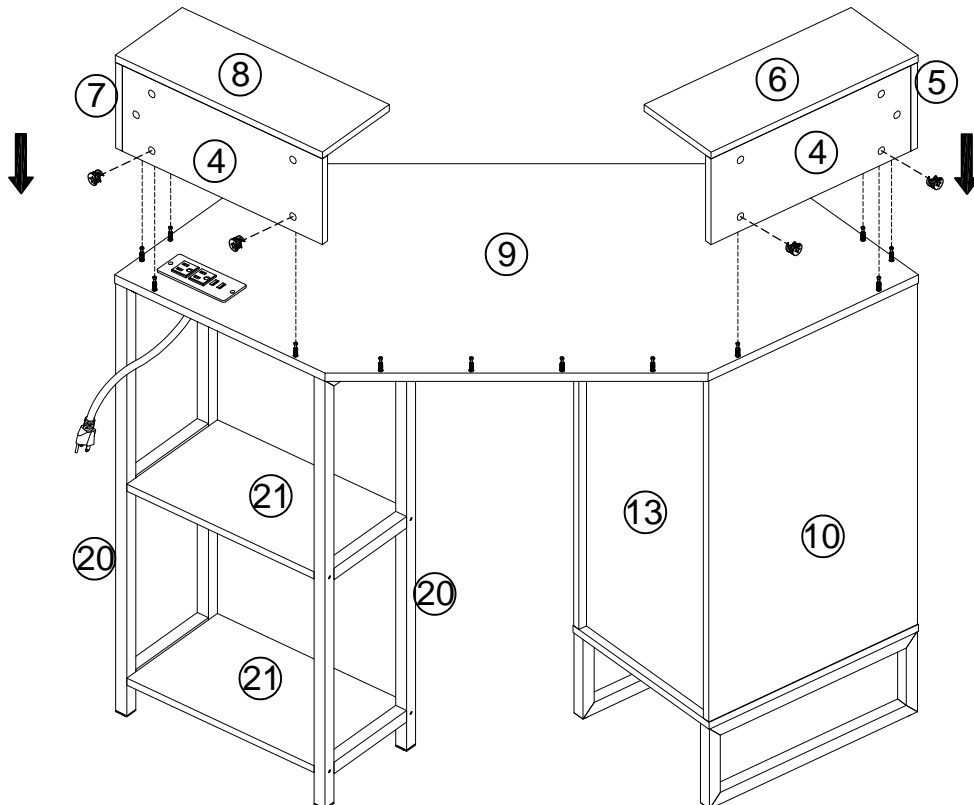
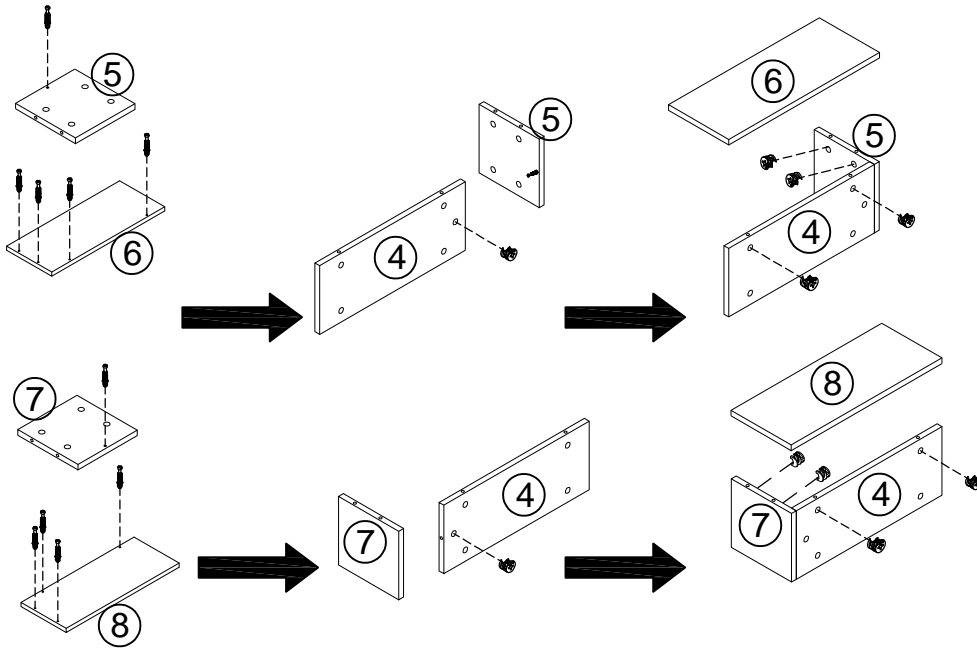


6

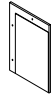
- ④ 2pcs
- ⑤ 1pc
- ⑥ 1pc
- ⑦ 1pc
- ⑧ 1pc
- Ⓐ 18pcs
- Ⓑ 10pcs



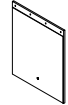
Screwdriver
(No included)



7



① 1pc



② 1pc



③ 1pc



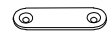
Ⓐ 4pcs



Ⓒ 16pcs



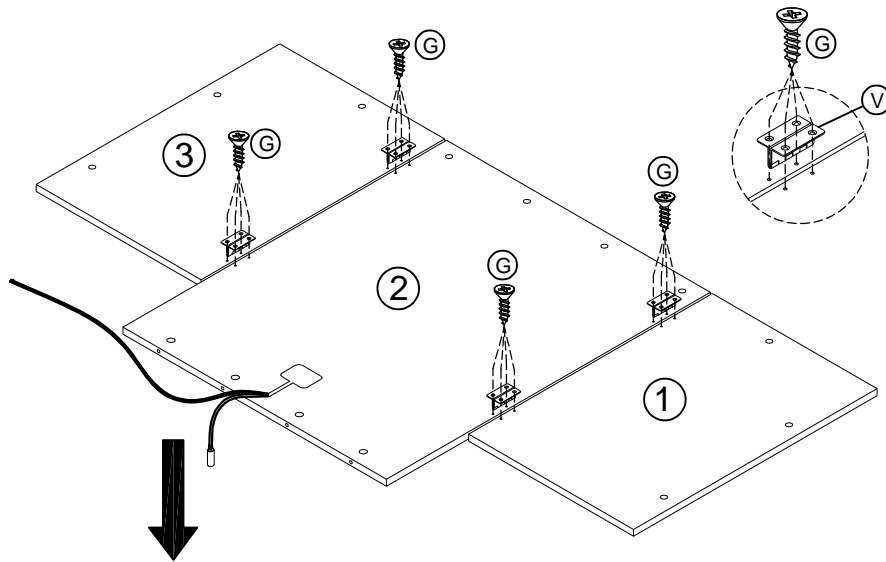
Ⓗ 4pcs



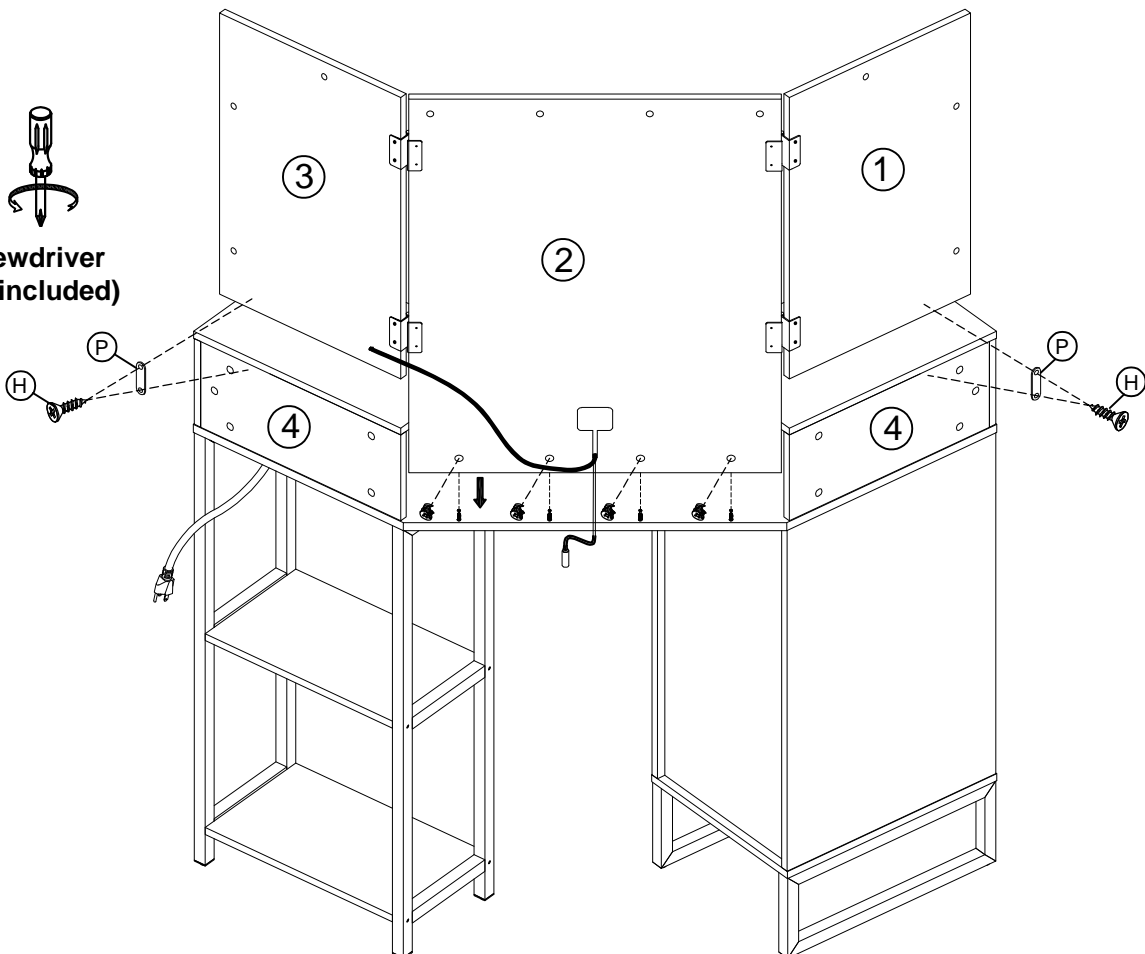
Ⓟ 2pcs



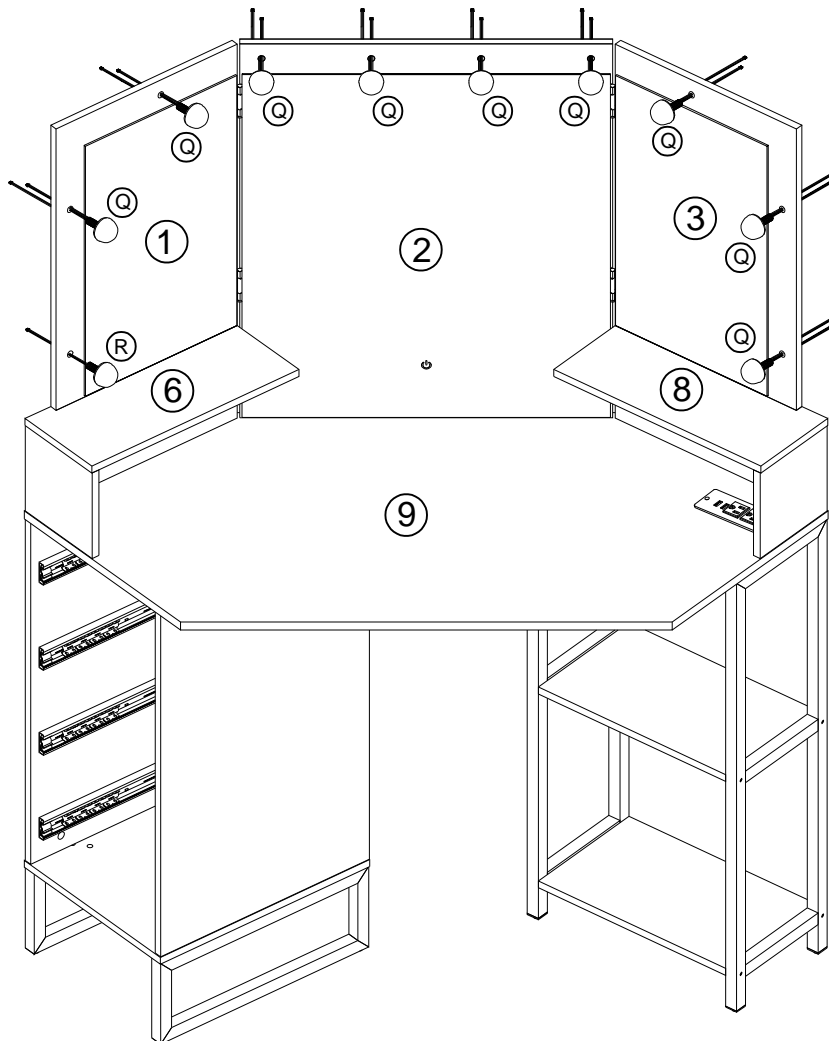
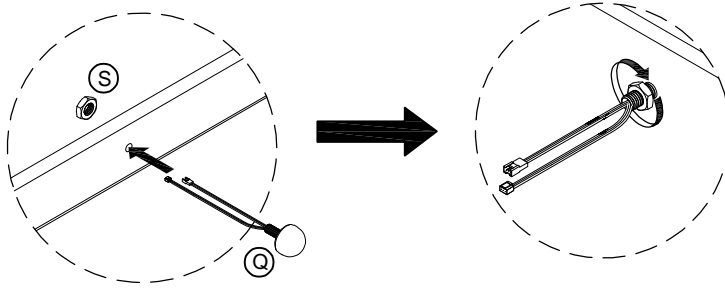
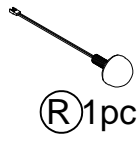
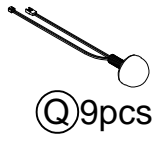
Ⓥ 4pcs



Screwdriver
(No included)



8



9



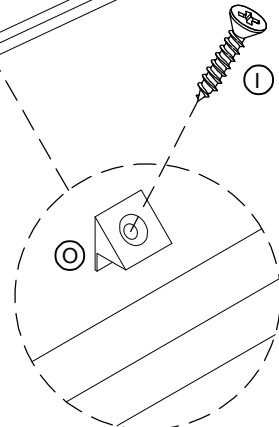
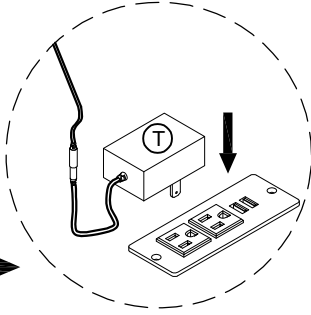
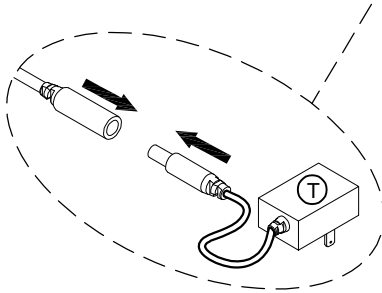
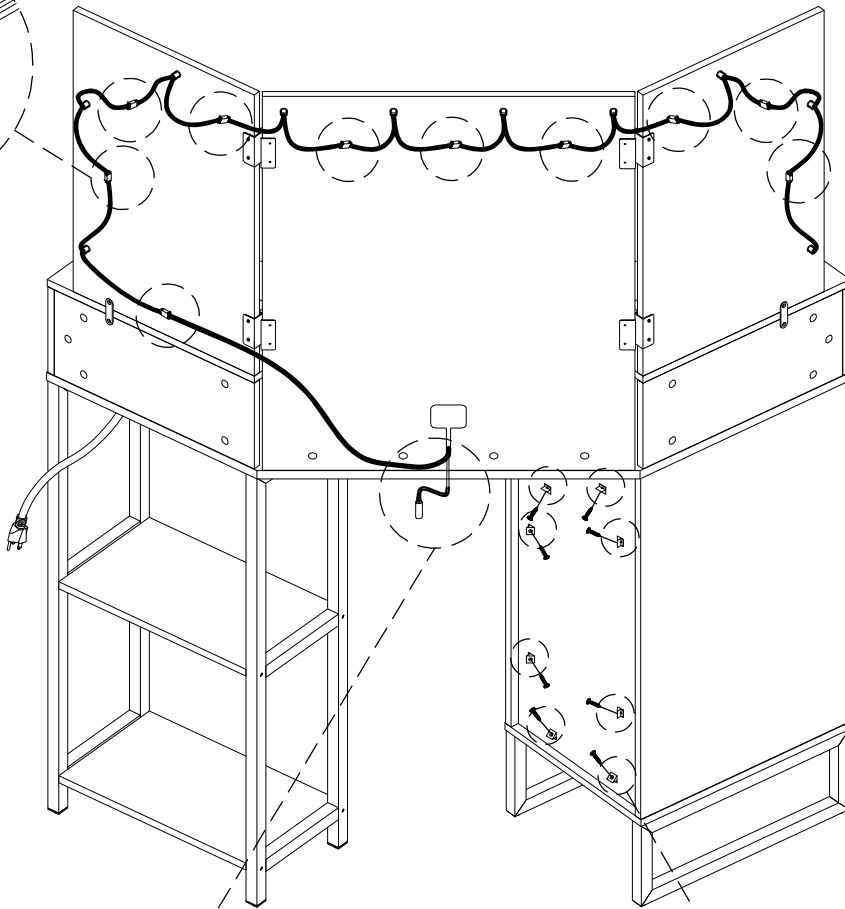
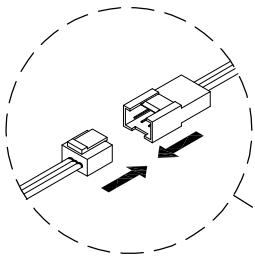
Ⓣ 1pc



Ⓛ 8pcs

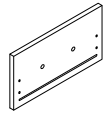


Ⓞ 8pcs



Screwdriver
(No included)

10



⑮ 4pcs



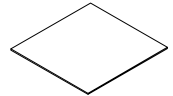
⑯ 4pcs



⑰ 4pcs



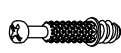
⑱ 4pcs



⑲ 4pcs



Ⓐ 16pcs



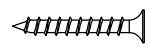
Ⓑ 16pcs



Ⓒ 8pcs



Ⓓ 24pcs



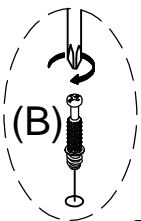
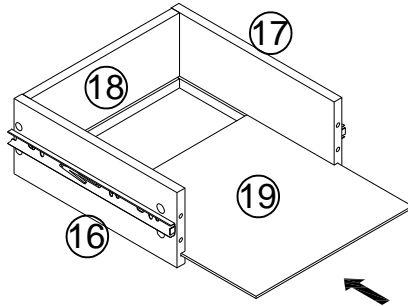
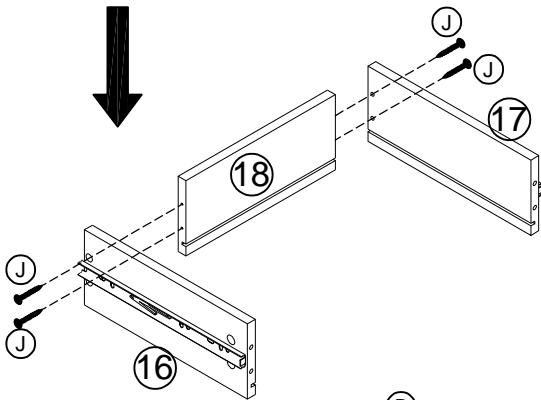
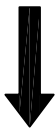
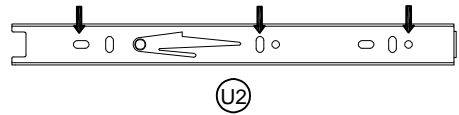
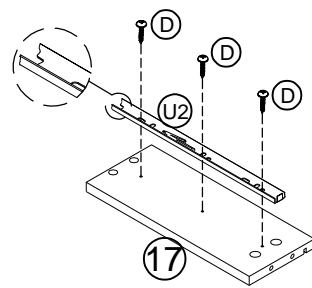
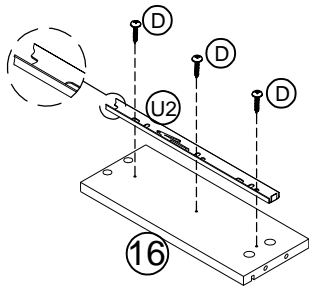
Ⓙ 16pcs



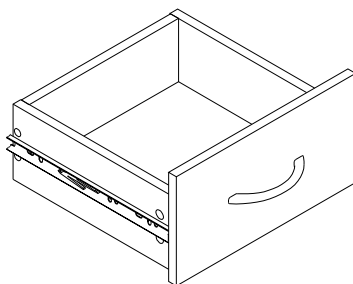
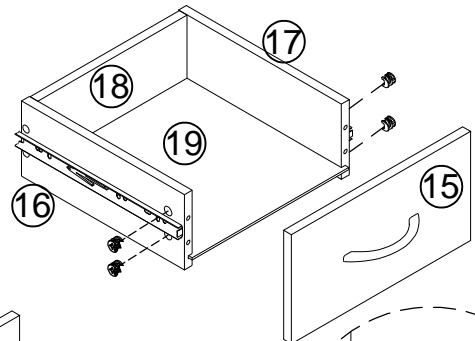
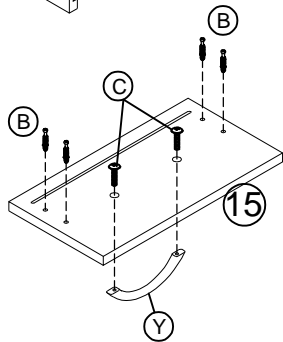
Ⓨ 4pcs



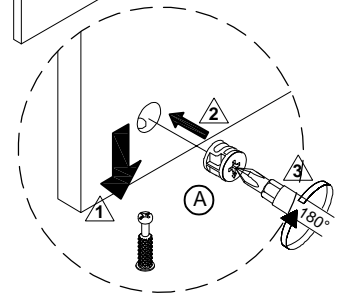
Ⓤ₂ 8pcs



Screwdriver
(No included)



x 4



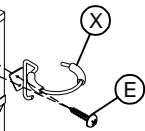
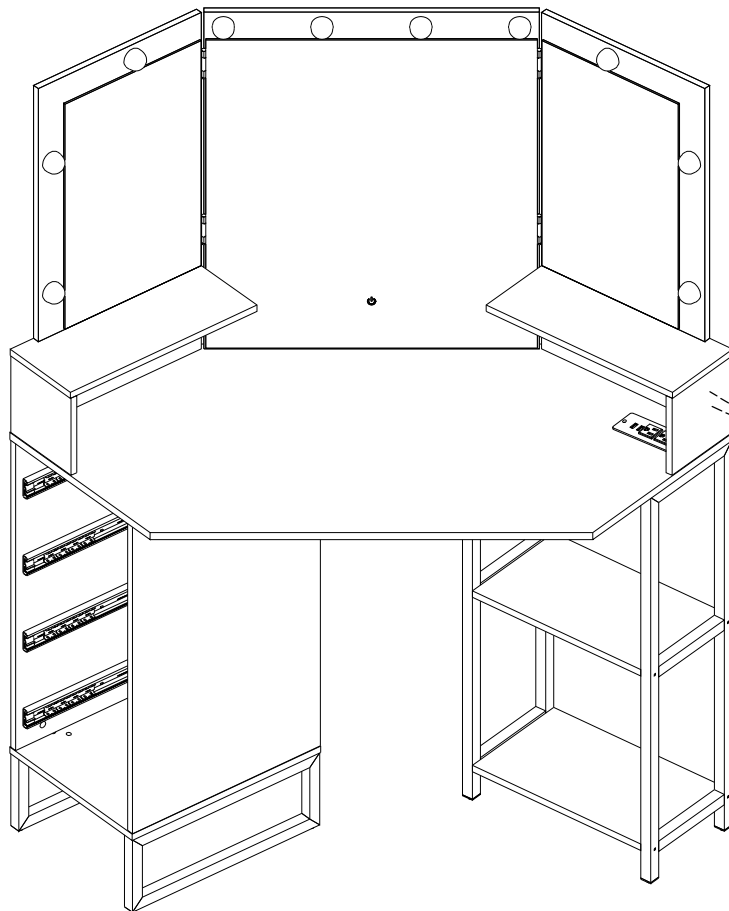
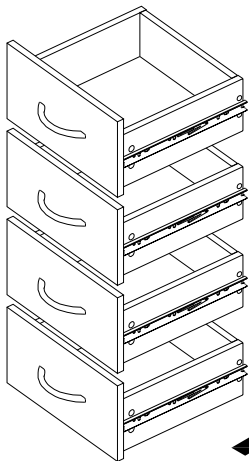
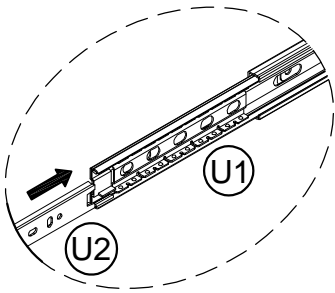
11



ⓔ 2pcs



ⓧ 1pc



**Screwdriver
(No included)**

12



Ⓚ 4pcs



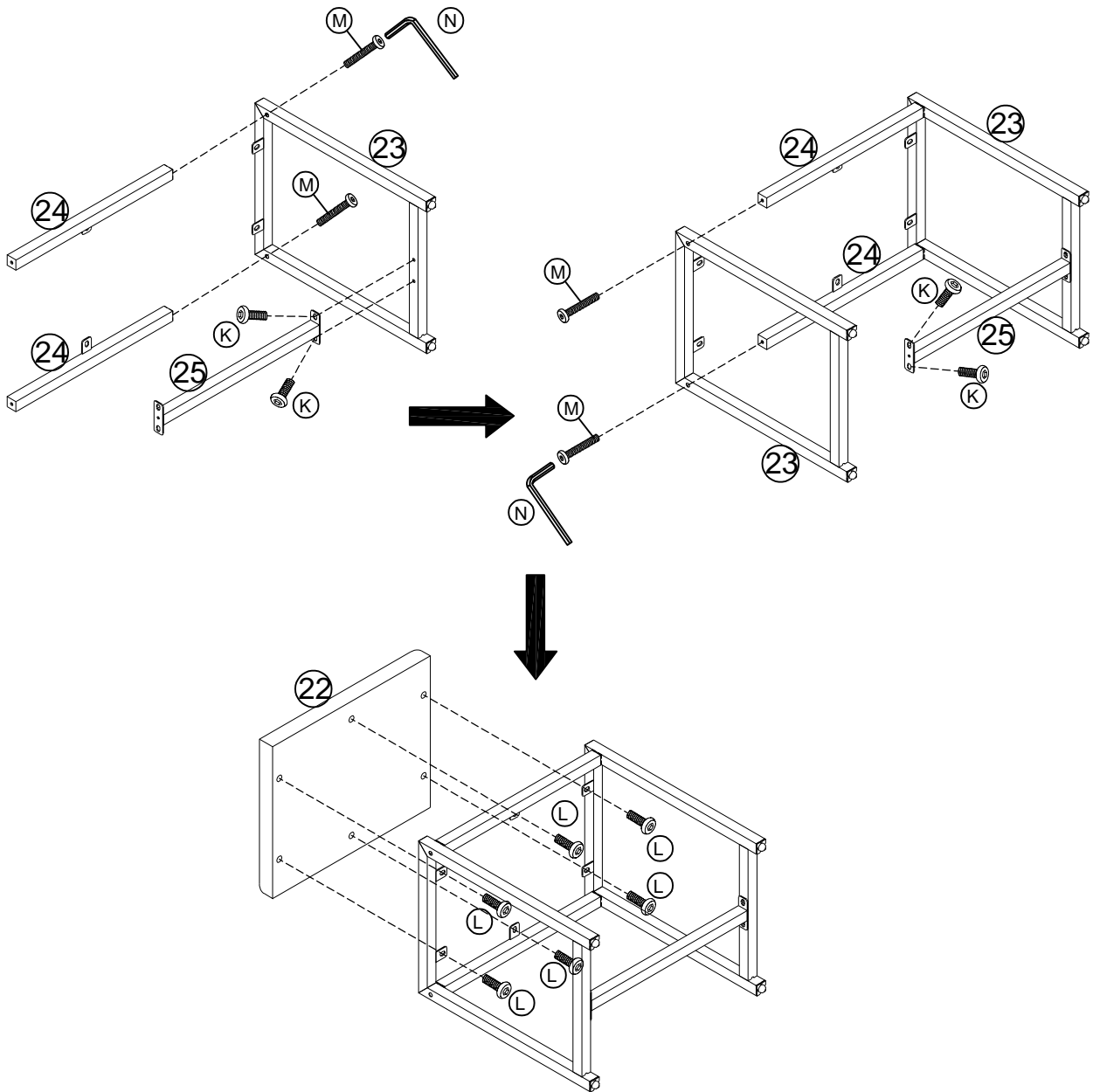
Ⓛ 6pcs



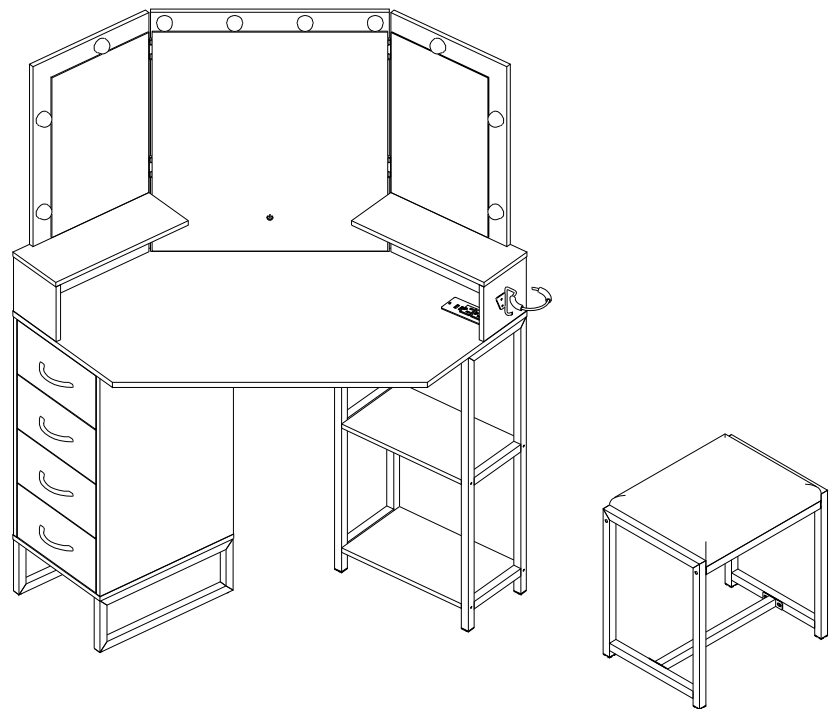
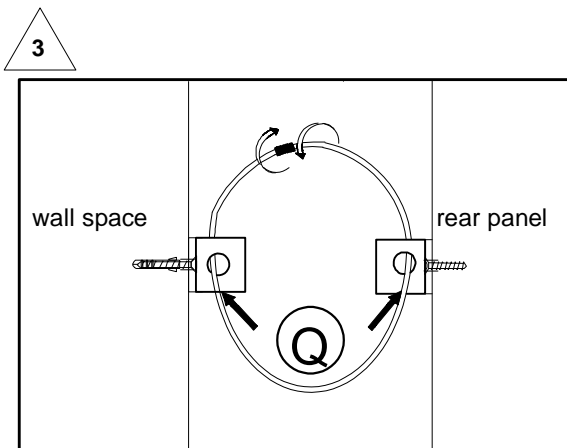
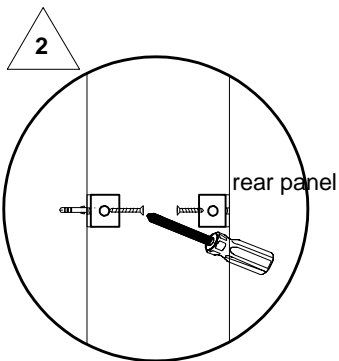
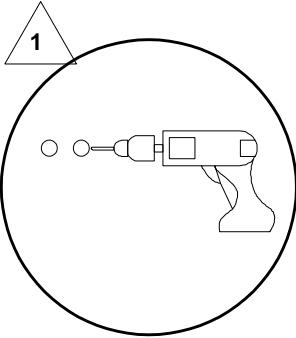
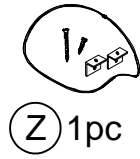
Ⓜ 4pcs



Ⓝ 1pc



13



▲ After the cabinet assembly, please install the wall fixing device on the back of the cabinet to avoid accidents. Install at a location based on your need.

