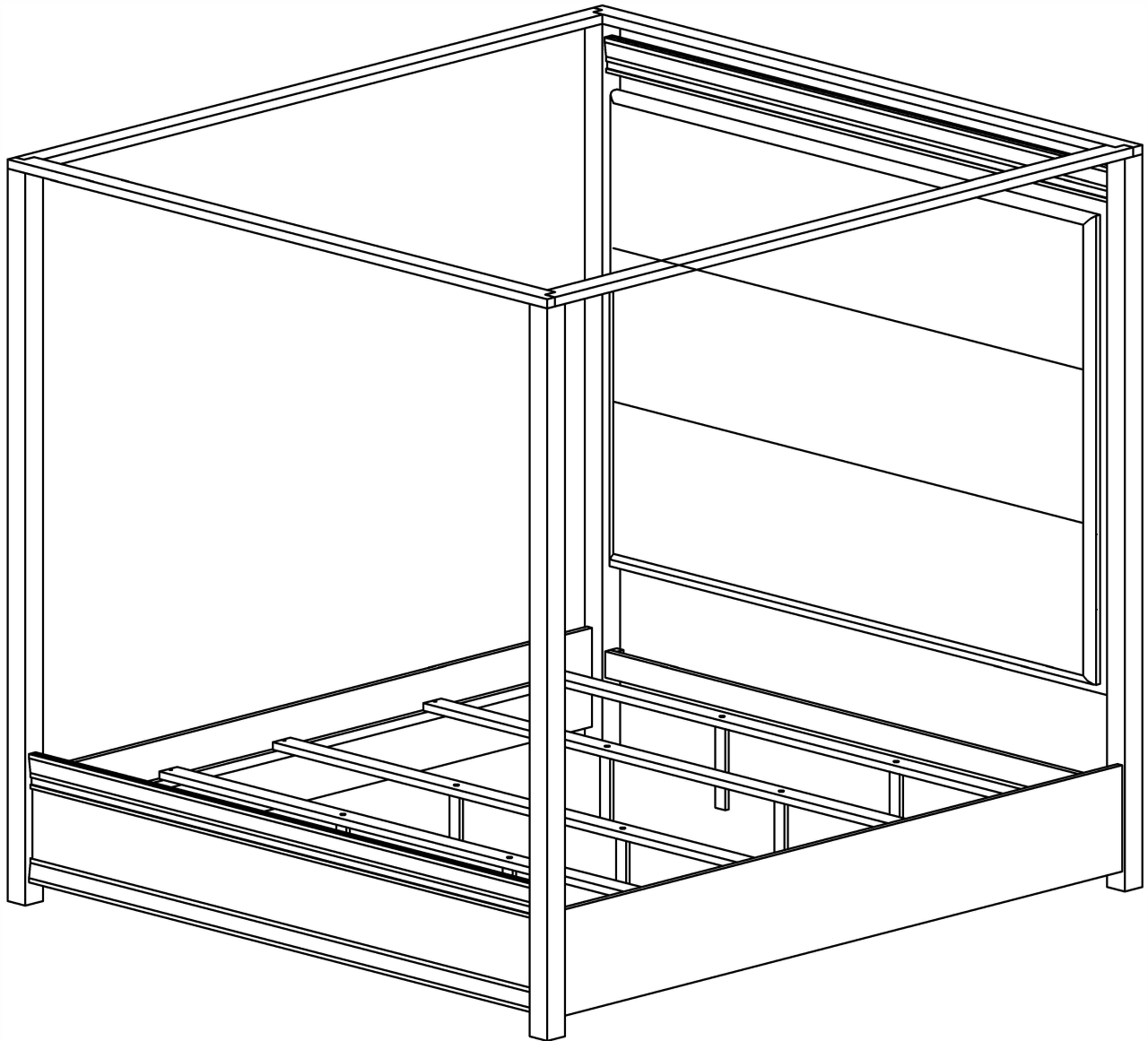


ASSEMBLY INSTRUCTION

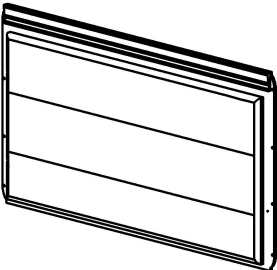




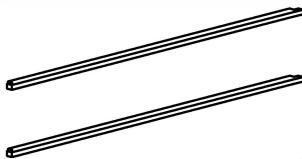
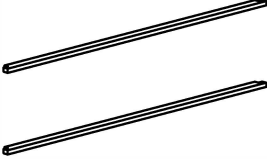
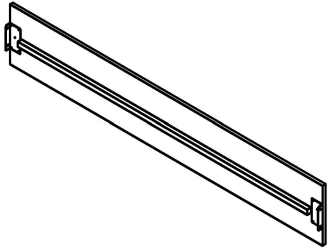
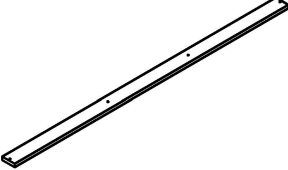

KING BED



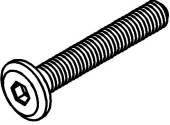



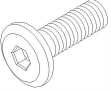


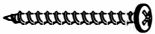

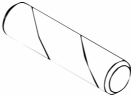
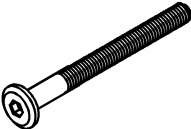

SAFETY WARNINGS

1. Always use the recommended size mattress or mattress support, or both, to help prevent the likelihood of entrapment or falls.
2. Do not allow horseplay on or under the bed and prohibit jumping on the bed.
3. Do not use substitute part. Contact the manufacturer or dealer for replacement part.
4. The use of water or sleep flotation mattresses is prohibited.
5. Keep these instruction for future reference.
6. Strangulation Hazard - Never attach or hang items to any part of the bed that are not designed for use with the bed, for example, but not limited to hooks, belts and jump ropes.

ASSEMBLY INSTRUCTION KING BED

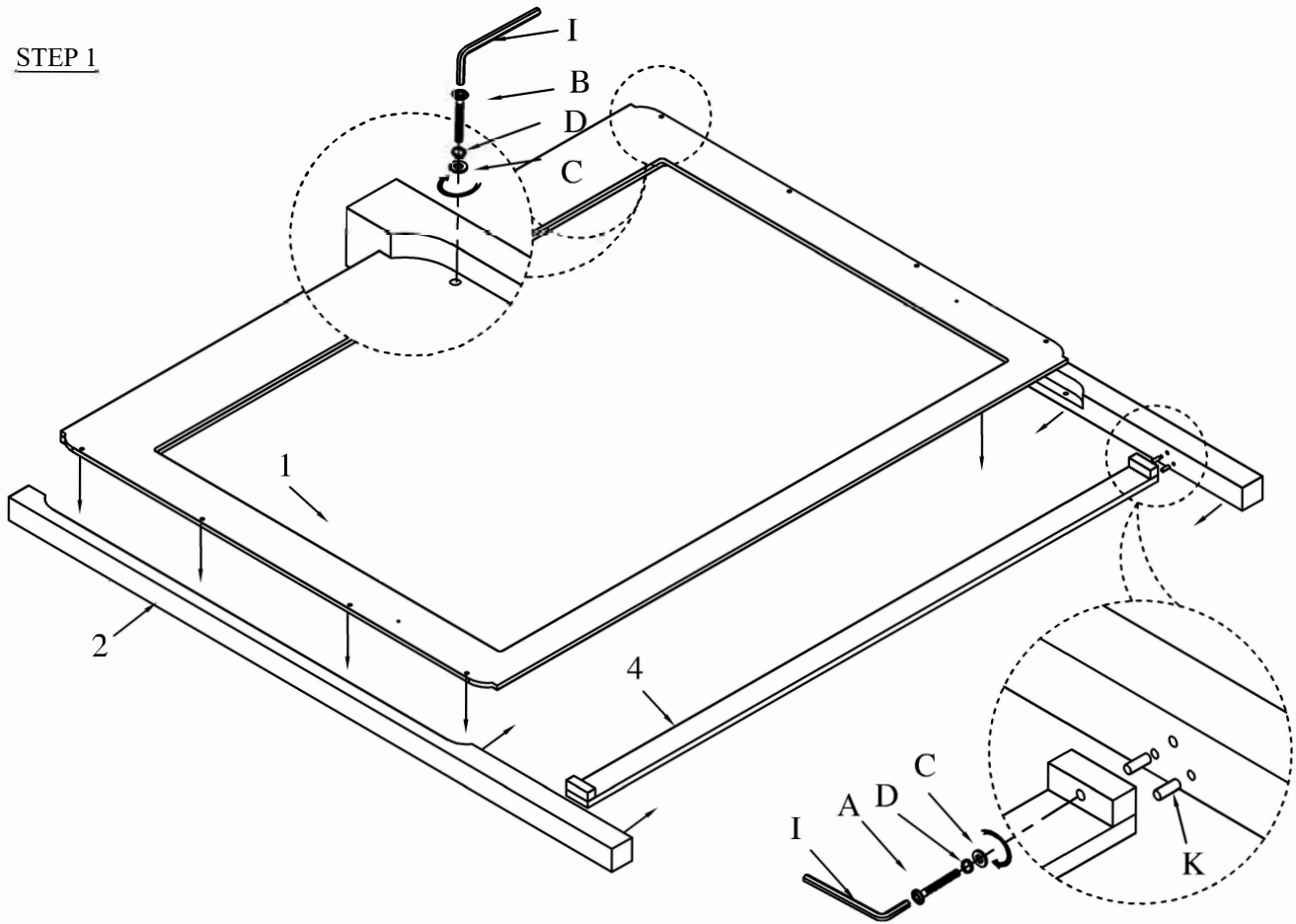
Box 1	1		4		5	
	Headboard panel 1pc		Support bar 1pc		Footboard panel 1pc	
Box 2	2		3		6	
	Headboard Post 2pcs		Footboard Post 2pcs		Long canopy 2pcs	
	7					
Short canopy 2pcs		8	9		10	
						
Side rails 2 pcs			Slats 4 pcs		Support legs 8 pcs	

HARDWARE & ILLUSTRATION

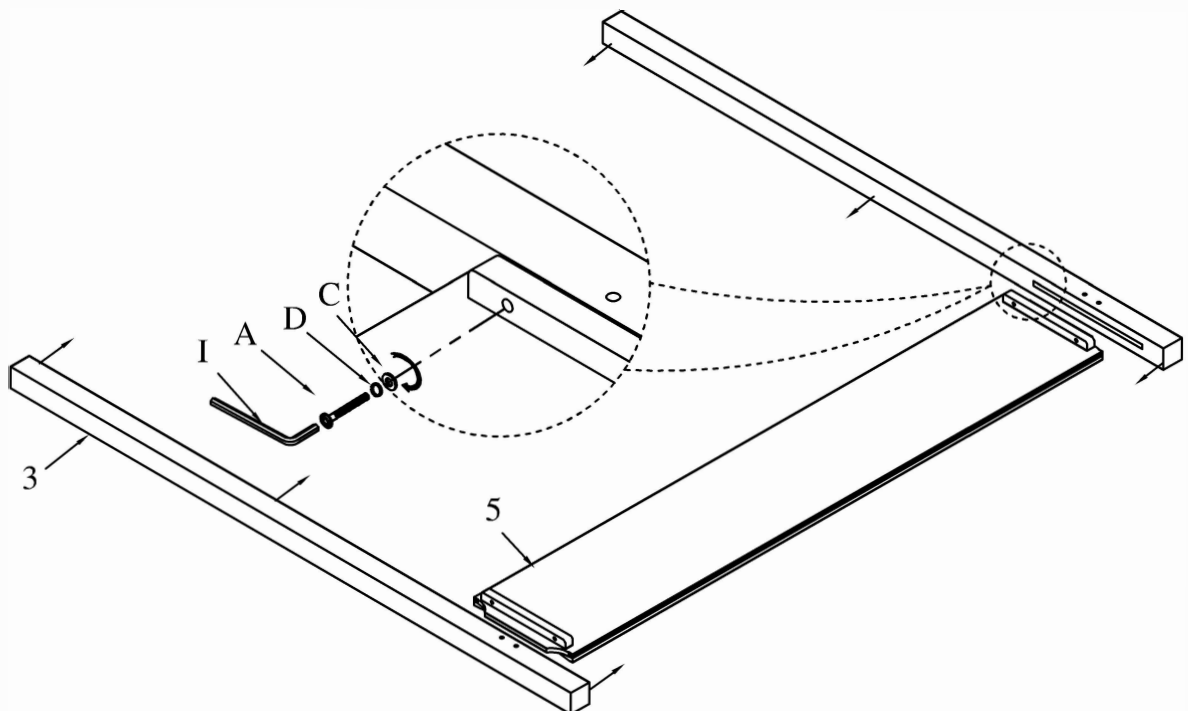
A		B		C		D	
Ø1/4" x L44 mm Allen Head bolts 14 pcs		Ø1/4" x L35 mm Allen Head bolts 8 pcs		Ø1/4" Flat Washer 14 pcs		Ø1/4" Lock Washer 14 pcs	
E		F		G		H	
Ø5/16" x L20 mm Allen Head bolts 8 pcs		Ø5/16" Flat Washer 8 pcs		Ø5/16" Lock Washer 8 pcs		Ø4 x L30 mm Screws 8 pcs	
I		K		L		M	
Allen Key 1 pc		Ø8 x 30 mm Wood dowel 4 pcs		Ø1/4" x 65mm Hex-Head bolts 8 pcs		Ø1/4" x 10mm Horizontal-Hole bolts 8 pcs	

ASSEMBLY INSTRUCTION KING BED

STEP 1

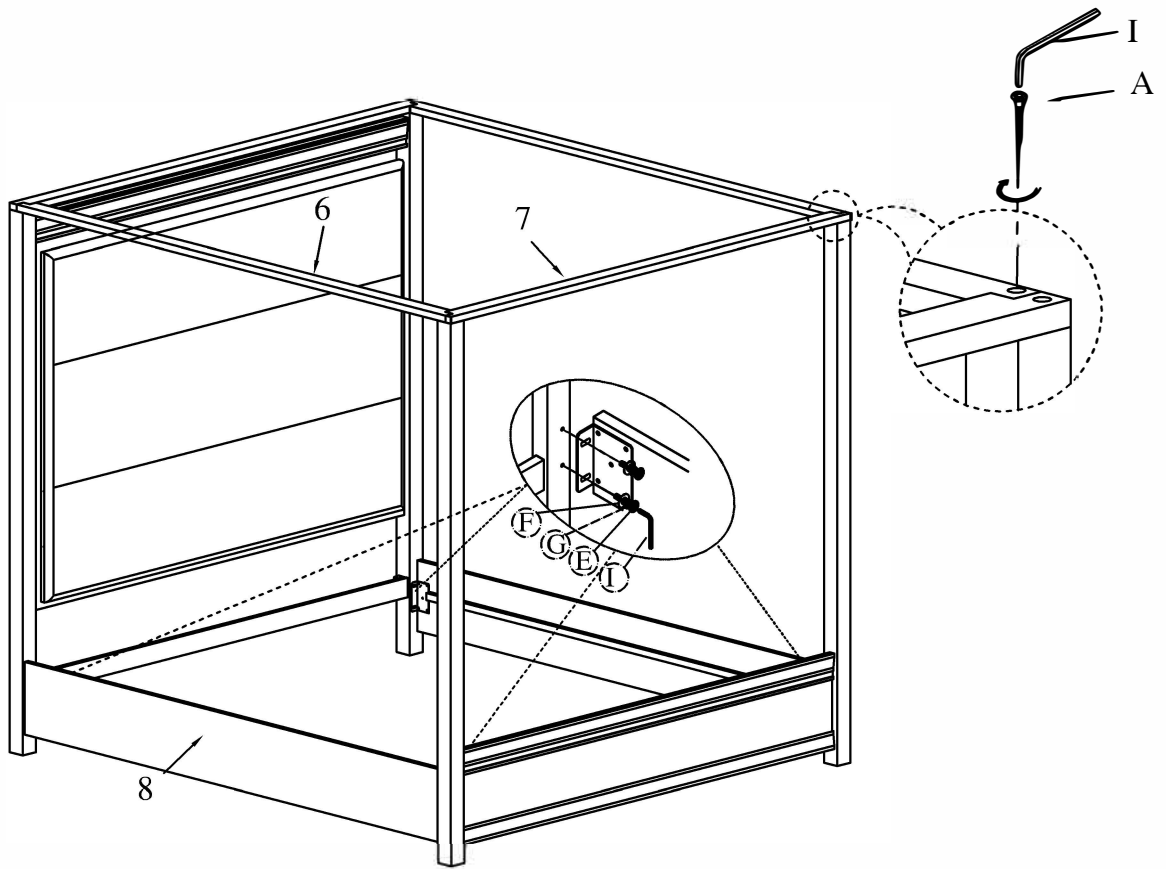


STEP 2

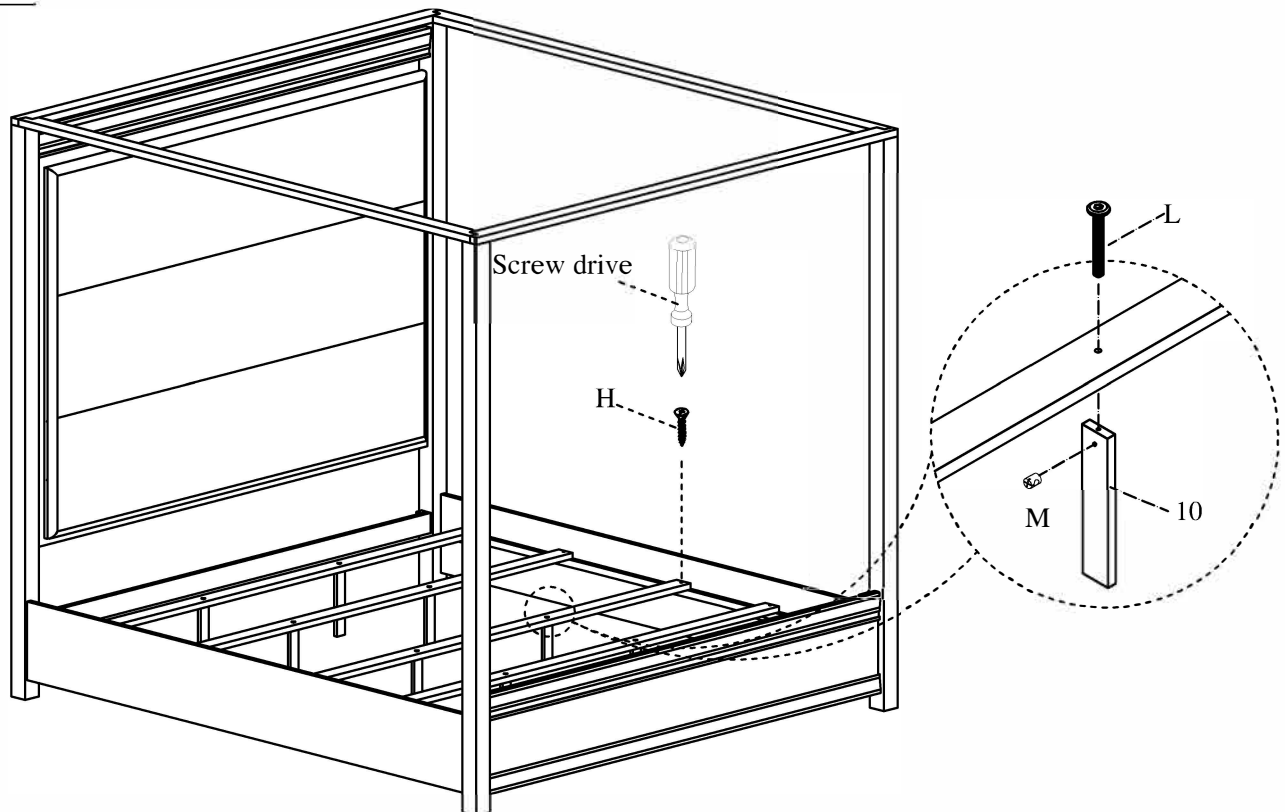


ASSEMBLY INSTRUCTION KING BED

STEP 3



STEP 4



ASSEMBLY IS NOW COMPLETE AND THANKS FOR YOUR PURCHASE