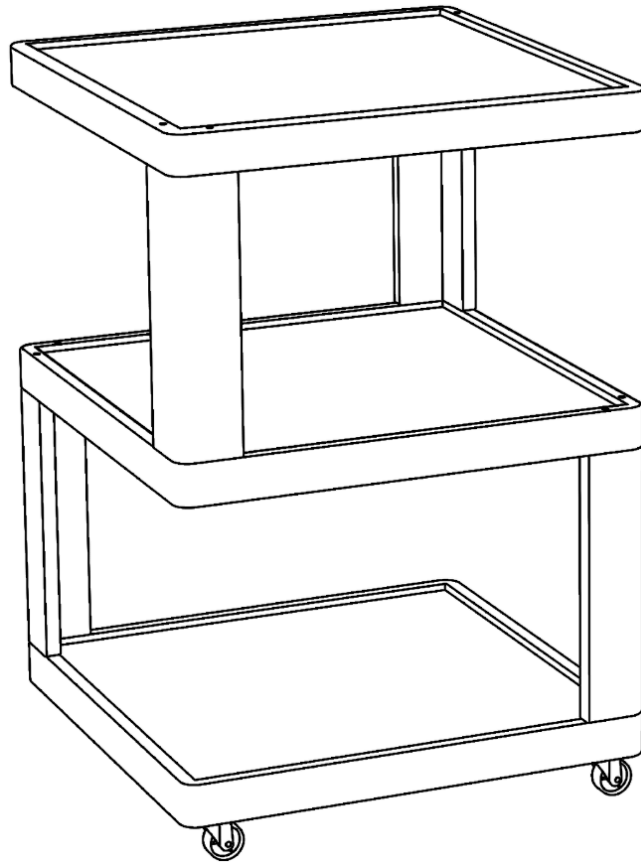


# ASSEMBLY & INSTRUCTION

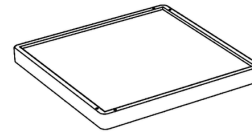
## DO NOT RETURN DIRECTLY!

If any parts are missing or damaged, we will gladly ship replacements free of charge.

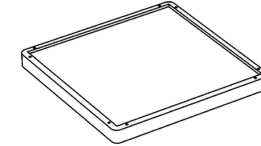


Weight Limit: 66 Lb / 30Kg

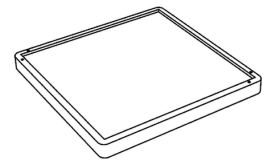
## Hardware List



A×1



B×1



C×1



D×4



E×1

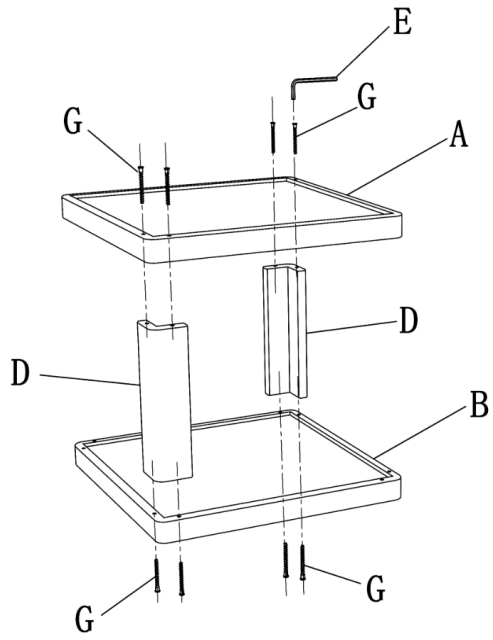


F×4

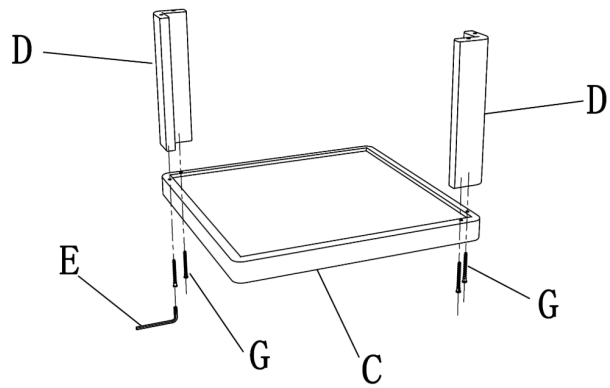


G×16

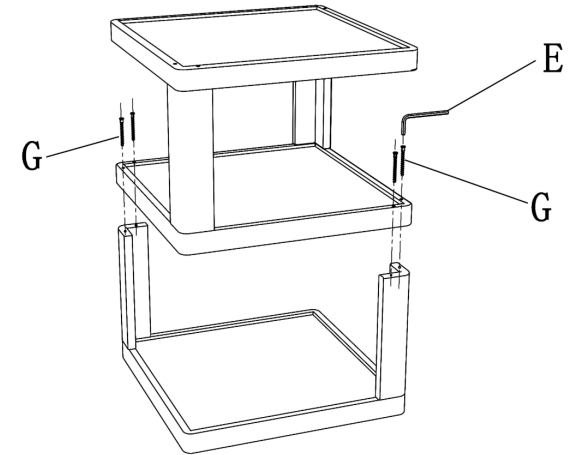
1



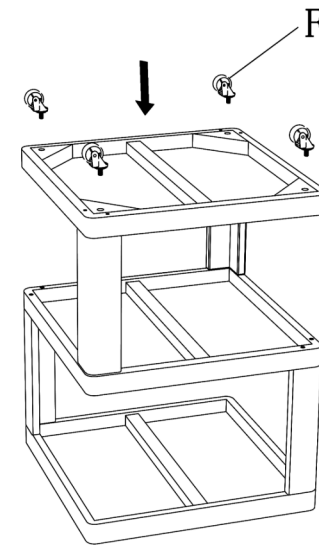
2



3



4



# IMPORTANT INFORMATION

## **\*\*REPLACEMENT PART OR HARDWARE REQUEST\*\***

- ★ 1. Request a replacement by logging into the marketplace account in which the purchase was made and sending a message to the seller. To expedite the request, attach applicable images relevant to the request and/or include the part number and quantity.

## **\*\*Warnings\*\***

1. To ensure ease of assembly read all instructions before assembly and follow step by step illustrations.
2. The side table is recommended for two adults to install;
3. Due to the presence of small parts during assembly, keep out of reach of children until assembly is complete.
4. Ensure the work area is clean and spacious to avoid accidental damage or injury.

## **\*\*Cleaning & Care\*\***

1. Cleaning Method: Use a dry or slightly damp soft cloth for cleaning. Avoid abrasive cleaners, which can damage the finish.
2. Hardware Maintenance: Over time, hardware can loosen. Regularly check and tighten all connections to maintain the stability of side table and prevent damage.

**Please keep these instructions for future reference!**