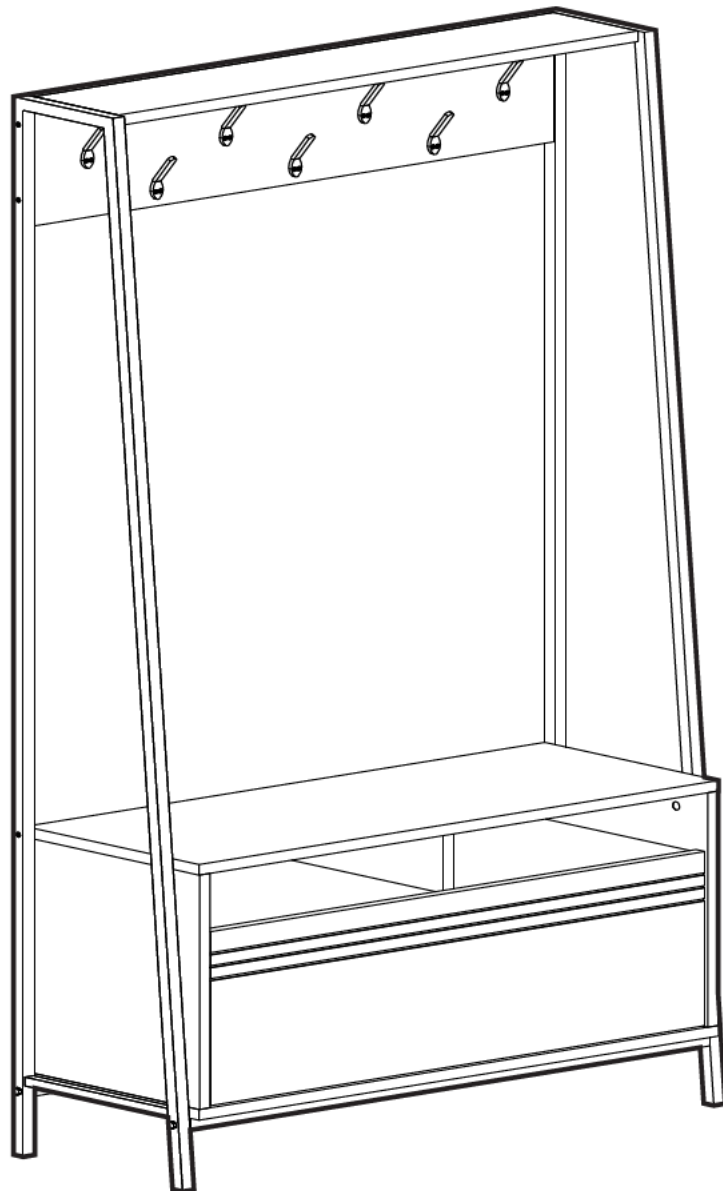
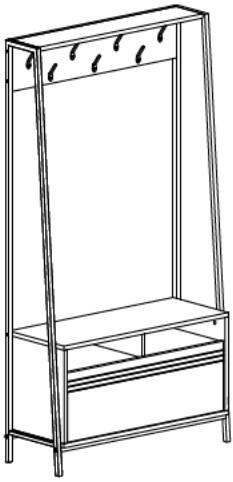


# Hall Tree

## Assembly Instruction



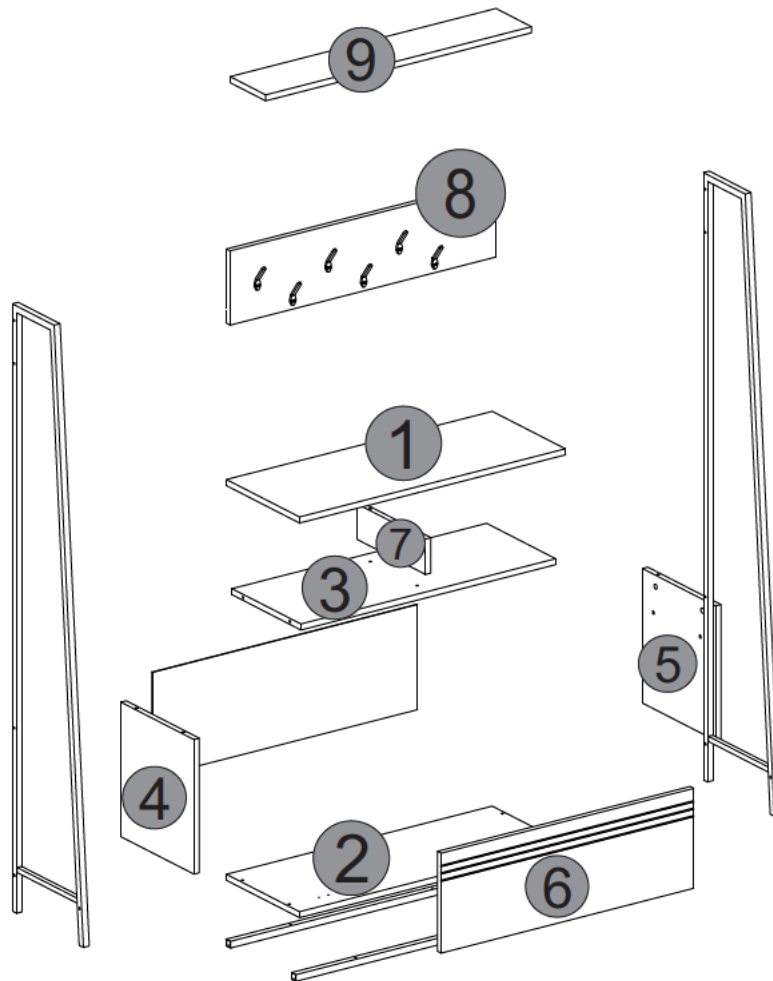


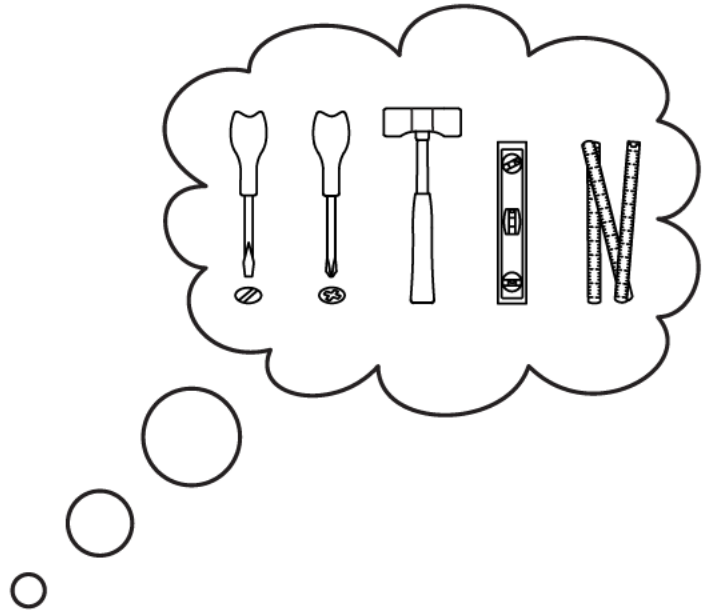
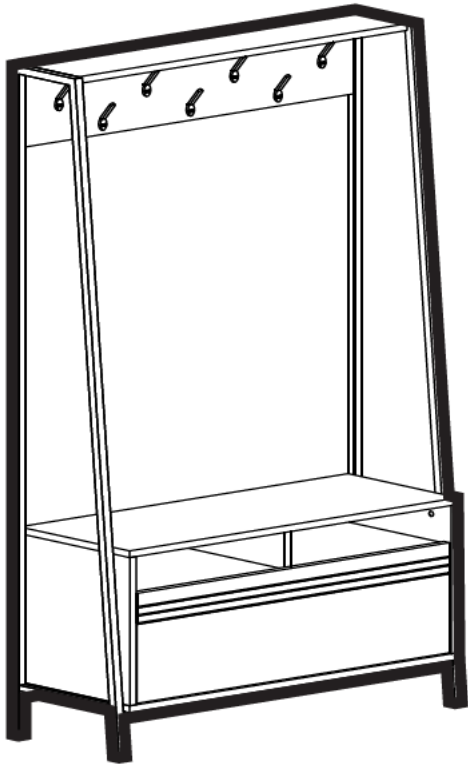
## Disassembled Parts

Part#1	1x
Part#2	1x
Part#3	1x
Part#4	1x
Part#5	1x
Part#6	1x
Part#7	1x
Part#8	1x
Part#9	1x





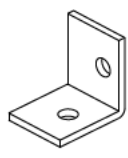

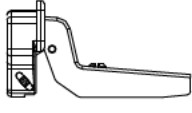




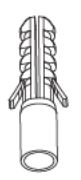
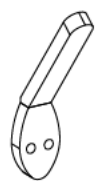

---


**Total 9x**

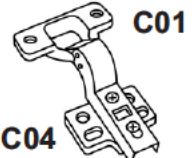




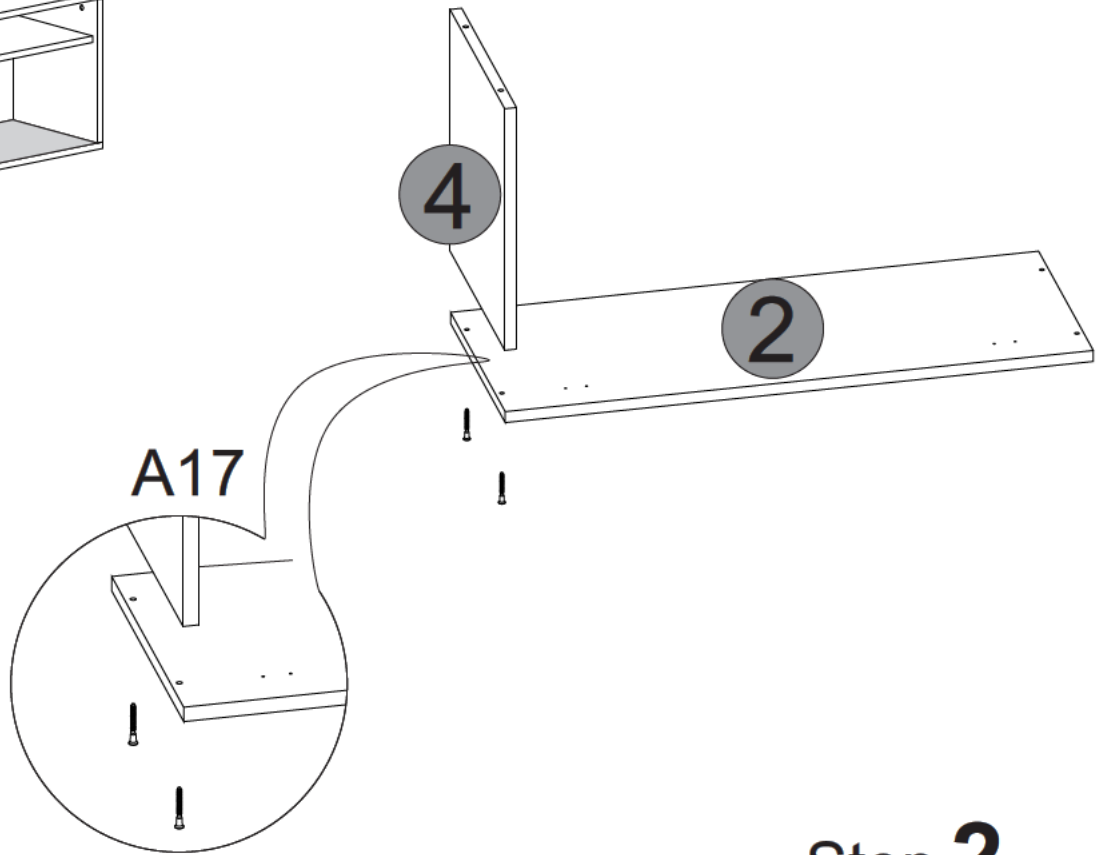
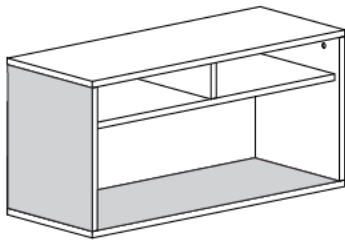
## Tools & Installation Components

- |   |   |   |   |   |   |   |
|---|---|---|---|---|---|---|
|  |  |  |  |  |  |  |
| A02 15x14 head  | A03 Q10 screw   | A18 3,5x35 Screw  | A19 3,5x18 Screw  | L01 L-bracket   | A28 nail  | C01 inset hinge   |
| 10x   | 10x   | 4x  | 9x  | 1x  | 10x   | 2x  |
|  |  |  |  |  |  |  |
| A21 3,5x25 Screw  | A17 6x50 screw  | A23 4x50 Screw  | M3 m6x30 bolt   | D1 4x40 Rawlplug  | mtd-094 Hanger  | C04 Pivot   |
| 14x   | 9x  | 7x  | 4x  | 1x  | 7x  | 2x  |

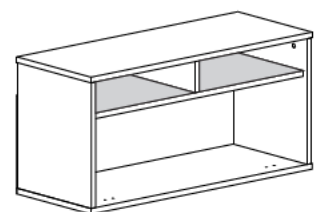
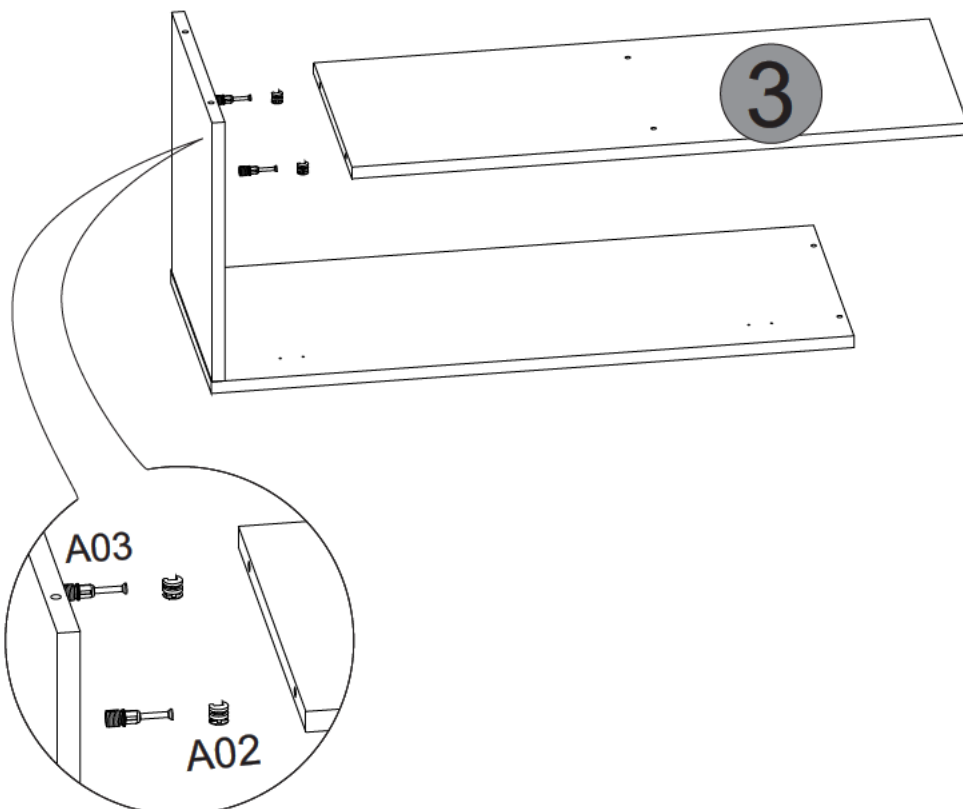
 Please be aware that C01(bracket) and C04(pivot) parts may come as attached together.



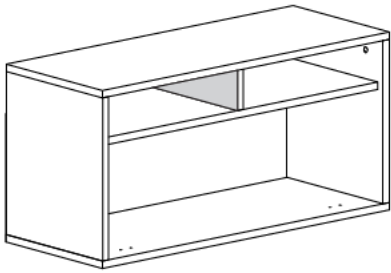
# Step 1



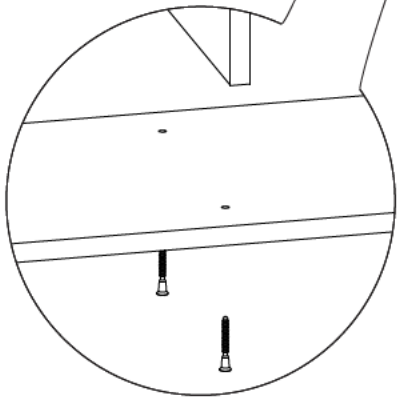
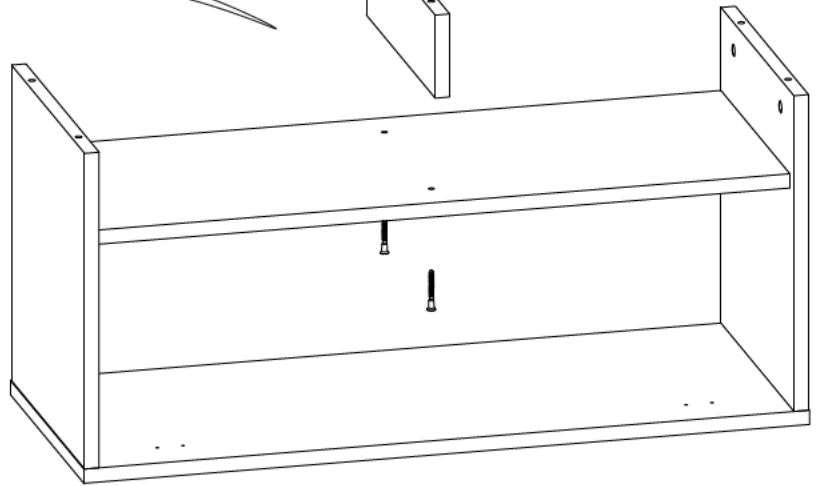
# Step 2



# Step 3



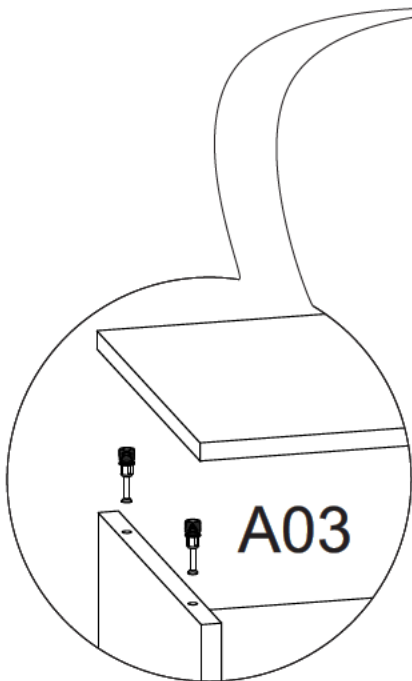
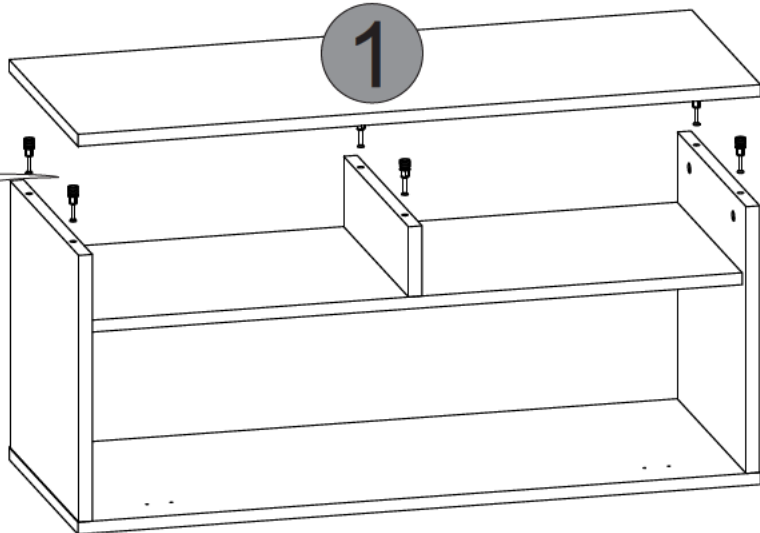
7



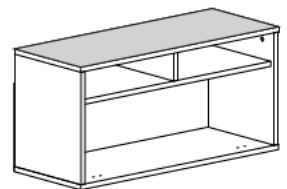
A17

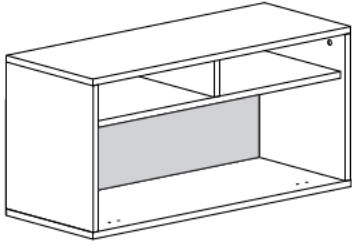
# Step 4

1

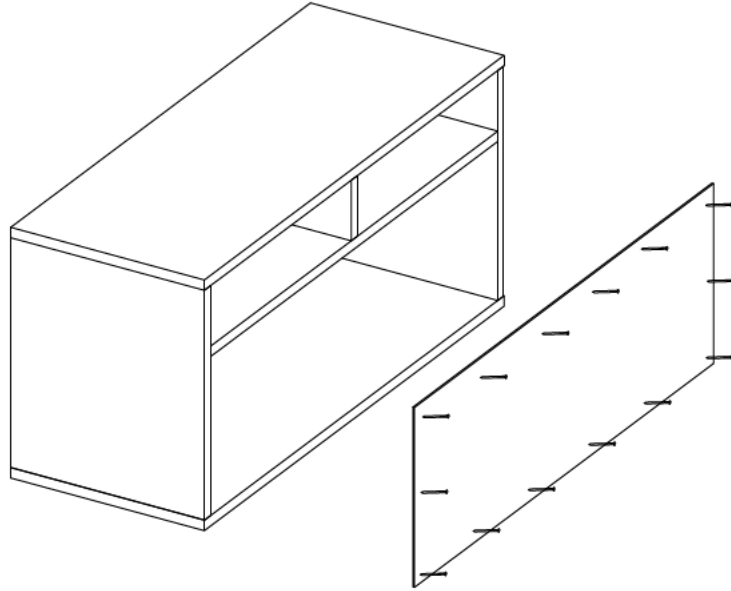


A03

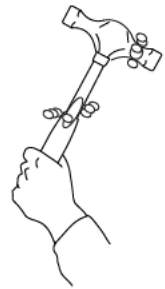




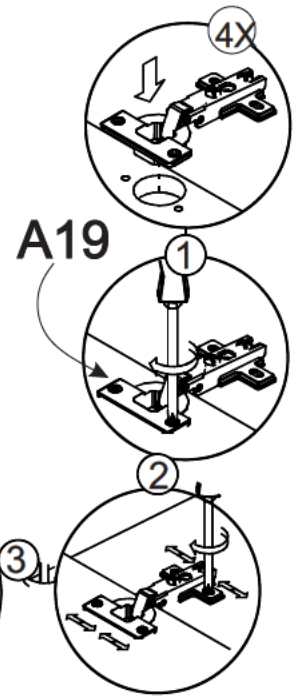
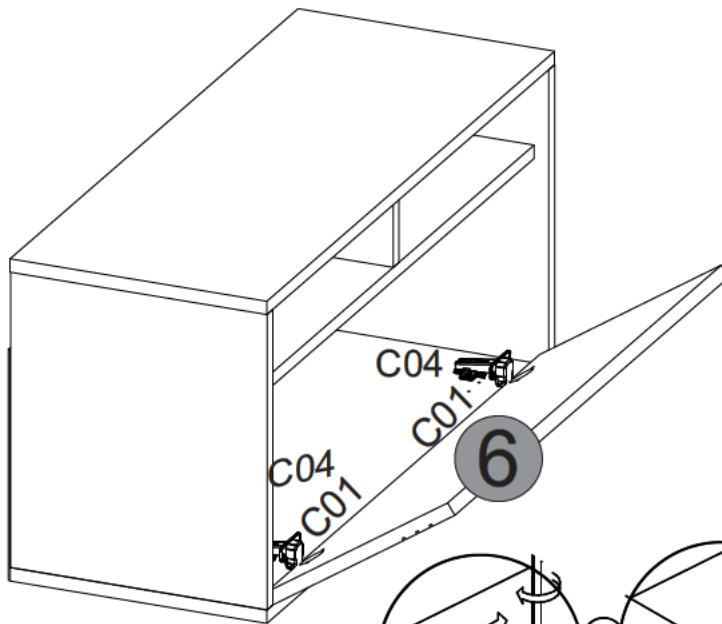
# Step 5



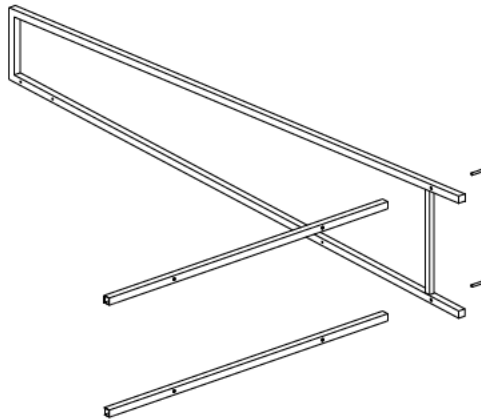
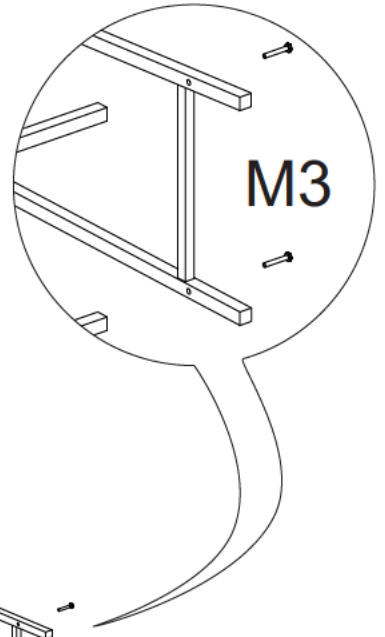
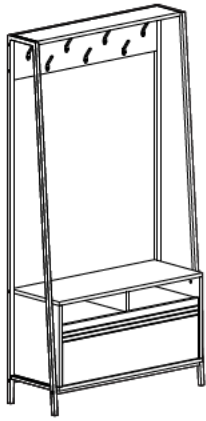
A28



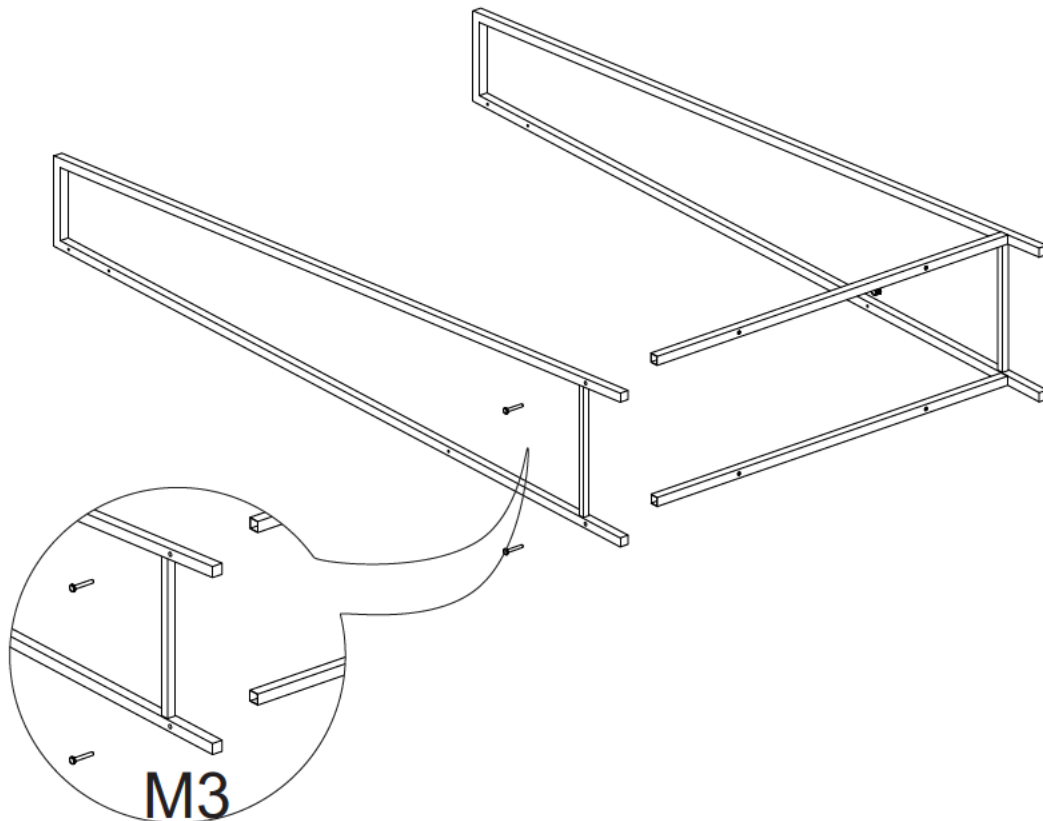
# Step 6



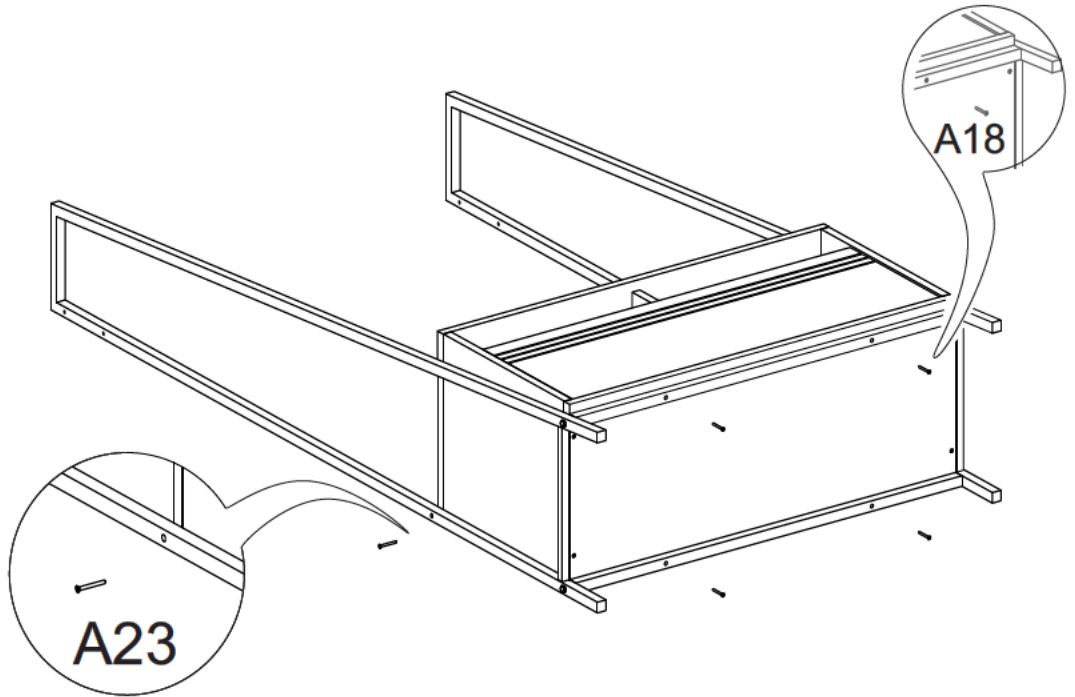
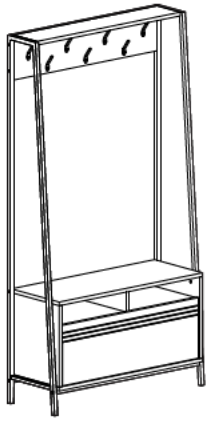
# Step 7



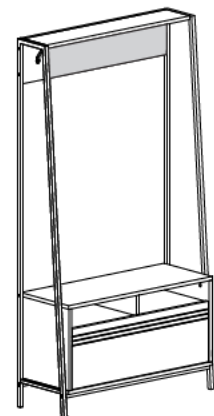
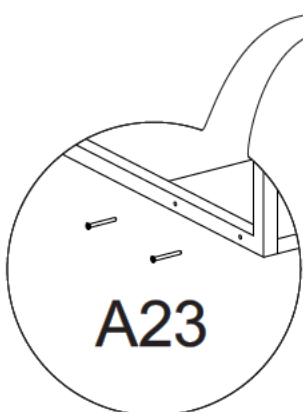
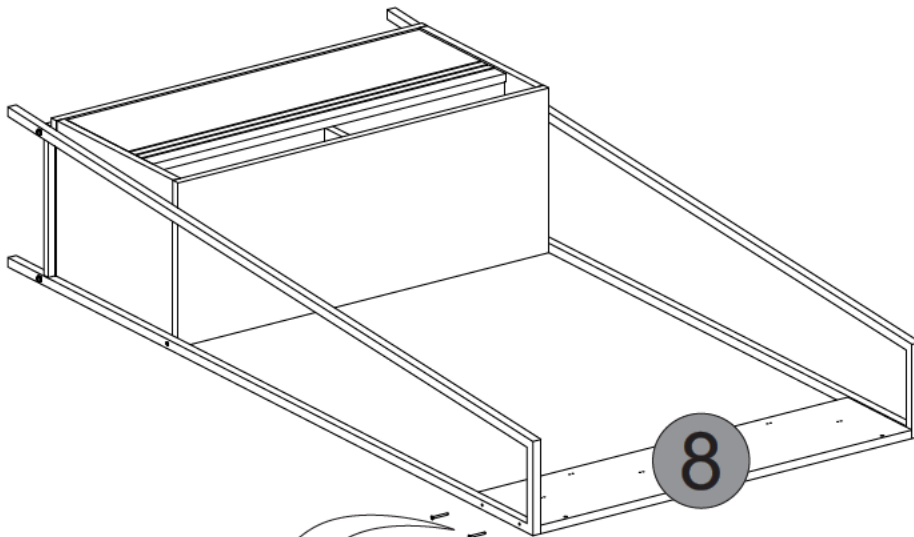
# Step 8



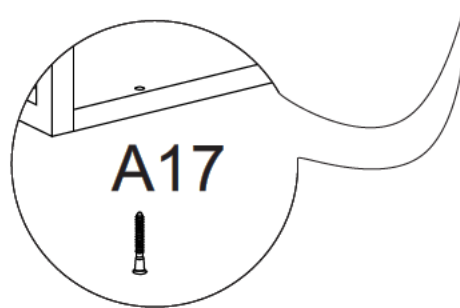
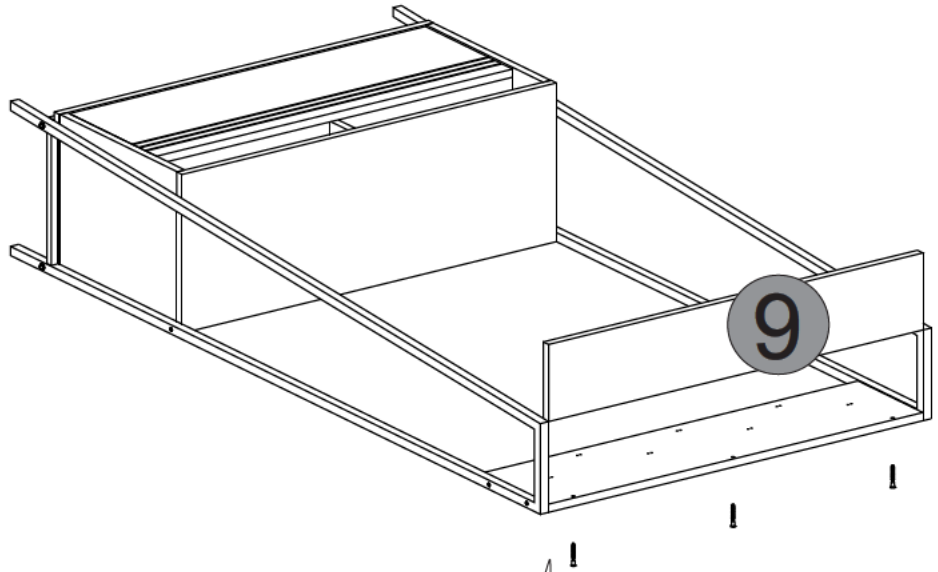
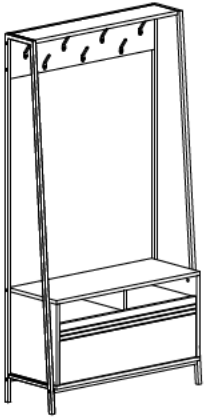
# Step 9



# Step 10



# Step 11



# Step 12

