

ASSEMBLY INSTRUCTIONS

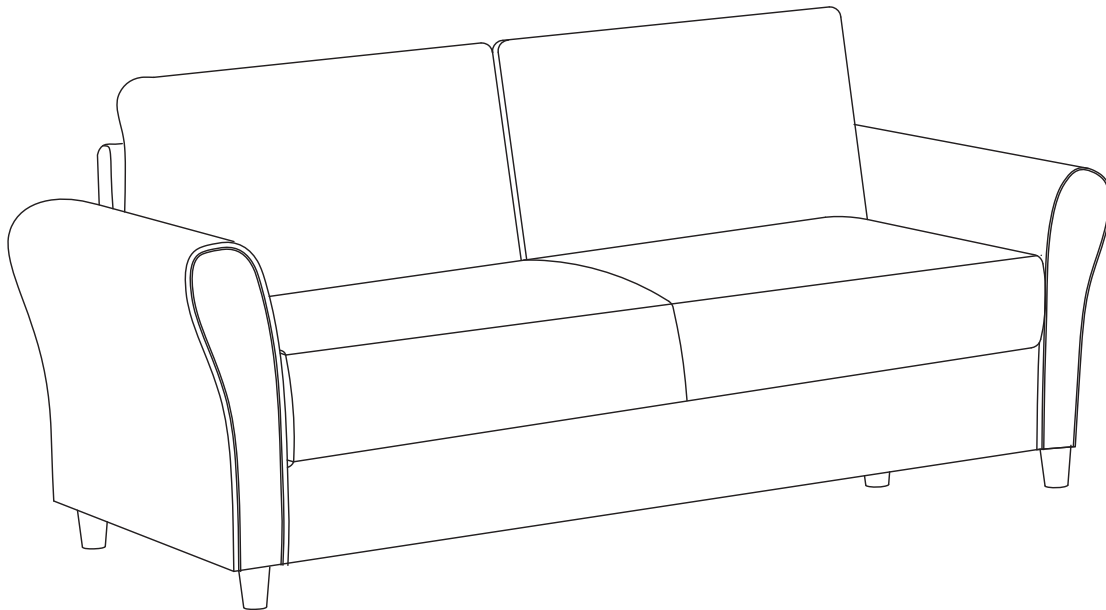
S5576/S5575/S5574/S5573

IMPORTANT NOTE:

** PLACE ALL PARTS ON A CLEAN AND SMOOTH SURFACE SUCH AS A RUG OR CARPET TO AVOID THE PARTS FROM BEING SCRATCHED.

** BEFORE YOU BEGIN, KINDLY FOLLOW THE ASSEMBLY INSTRUCTIONS STEP BY STEP

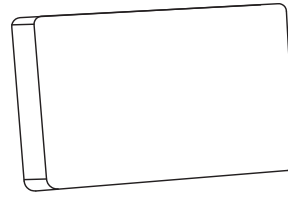
** DO NOT SIT UNTIL THE SOFA FULLY SET-UP.



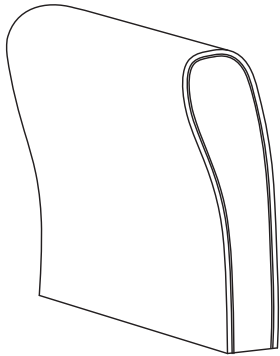
PARTS AND HARDWARE



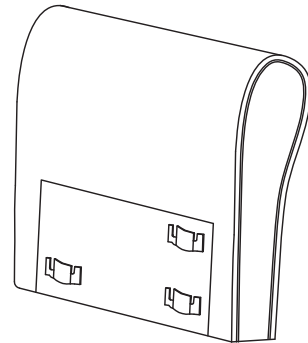
A: Leg 4PCS



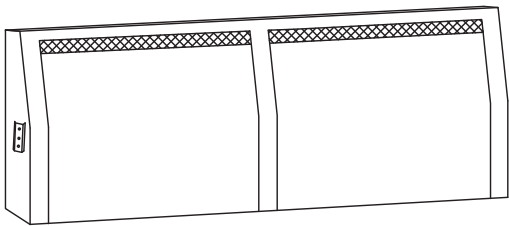
B: Back Cushion 2PCS



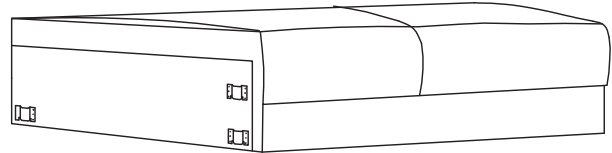
C: Left Arm 1PC



D: Right Arm 1PC

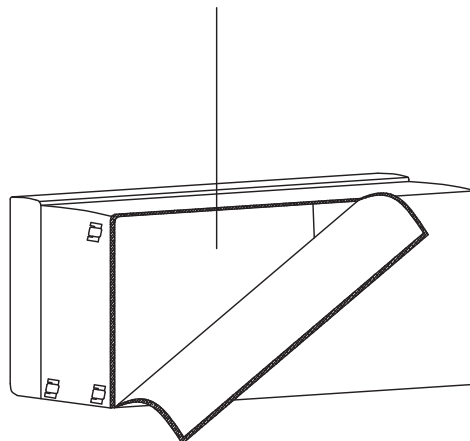


E: Backrest 1PC



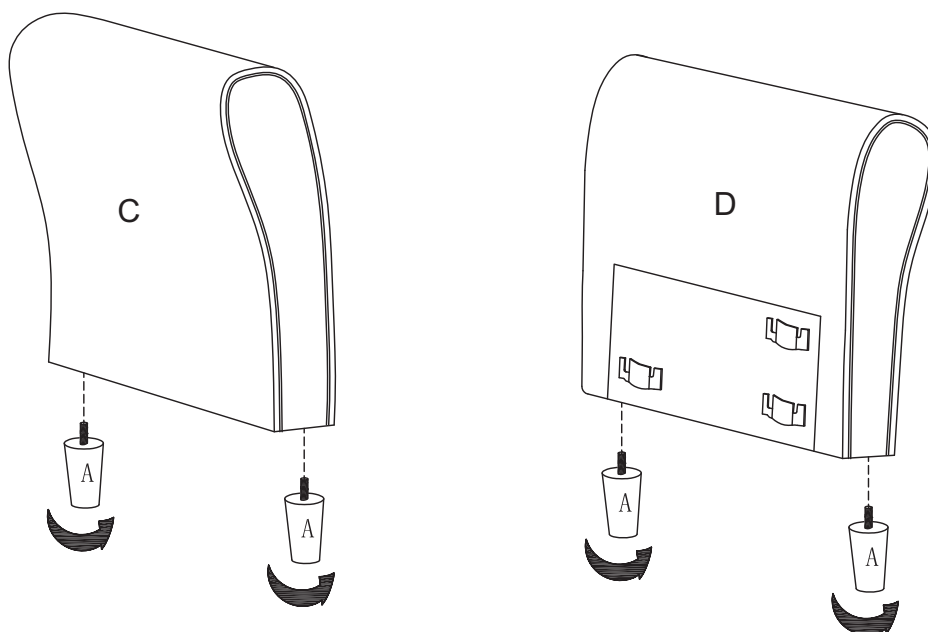
F: Sofa Body 1PC

Ax4,Cx1,Dx1
Packed in sofa storage(F)

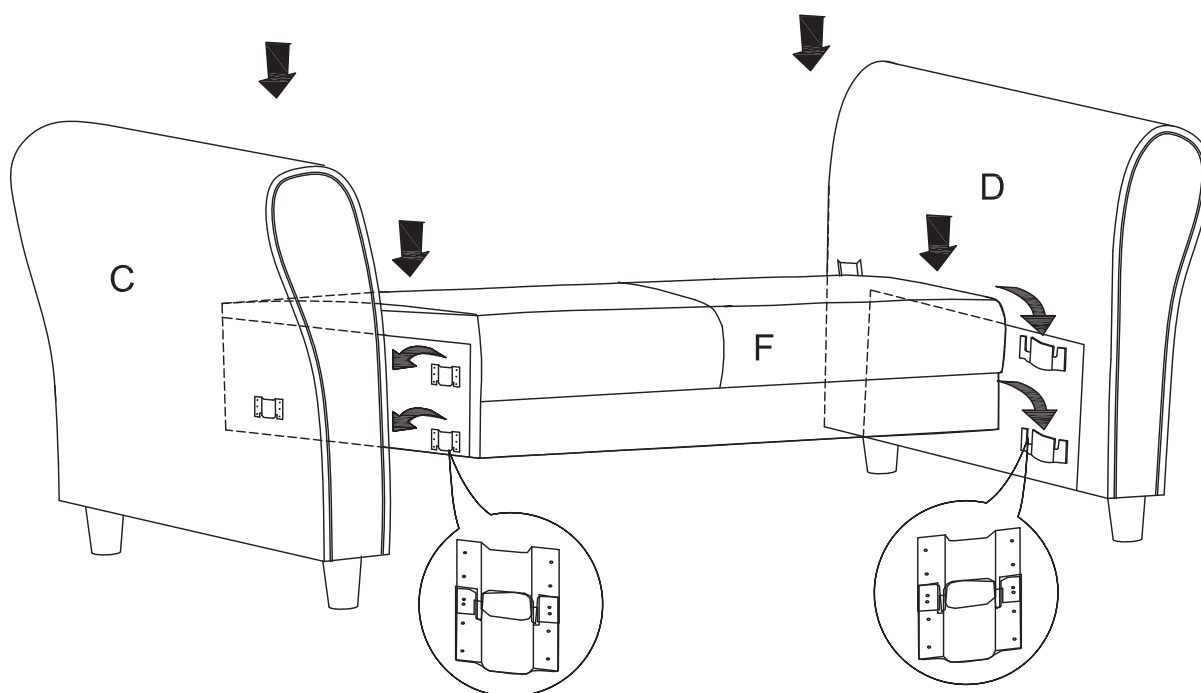


CAREFULLY UNPACK AND PLACE SOFA BODY(F) UNIT ON A CLEAN FLAT SURFACE TO SHOW THE BASE AS SHOWN. UNPACK PARTS FROM THE STORAGE COMPARTMENT.

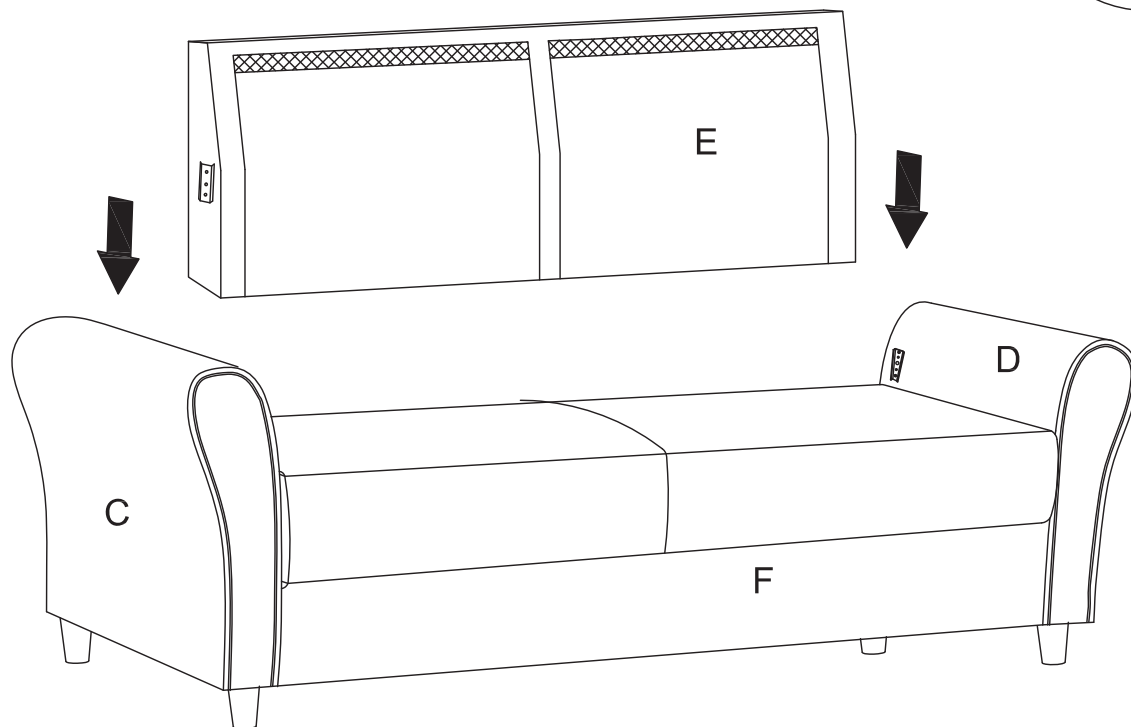
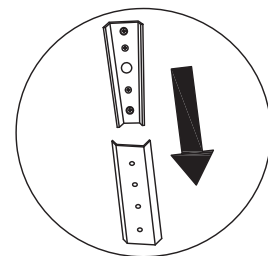
STEP 1: Assemble the legs (A) to the left arm (C) and the right arm (D) .



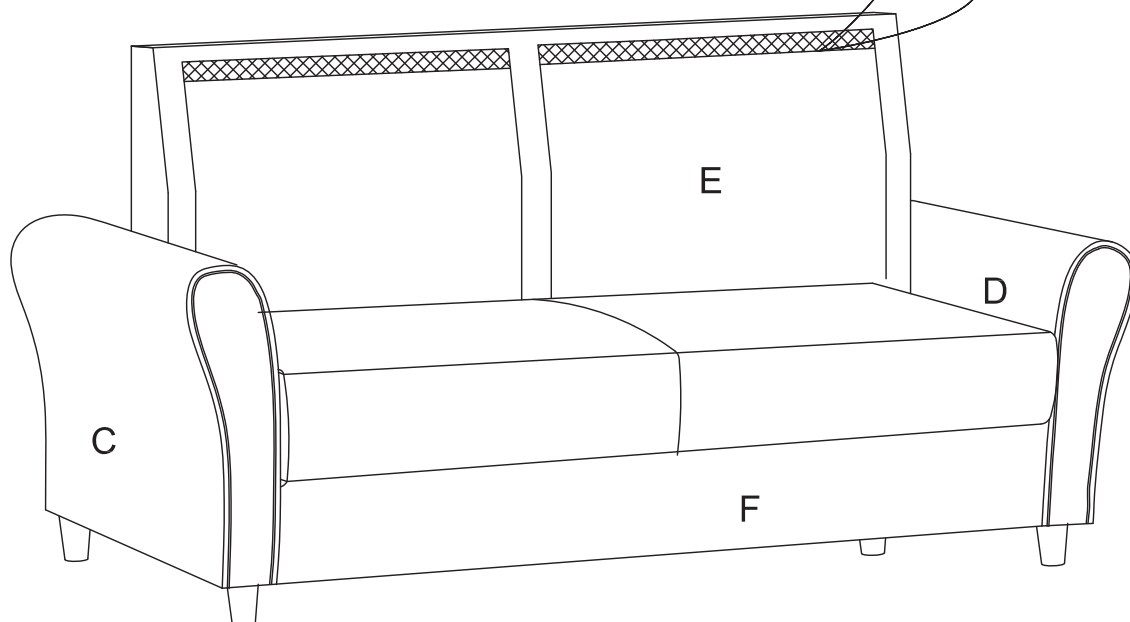
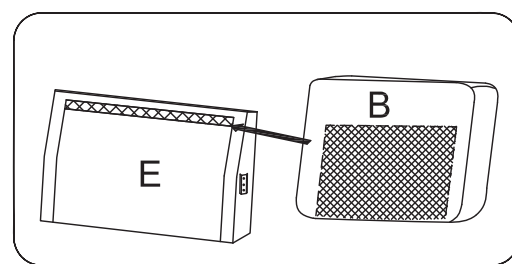
STEP 2: Assemble the sofa body (F) to the both arms (C,D) by matching the metal brackets.



STEP 3: Assemble sofa backrest (E) to the both arms (C,D) matching the metal brackets.



STEP 4: Assemble the back cushions(B) to the backrest(E) by matching velcro.



Finish

