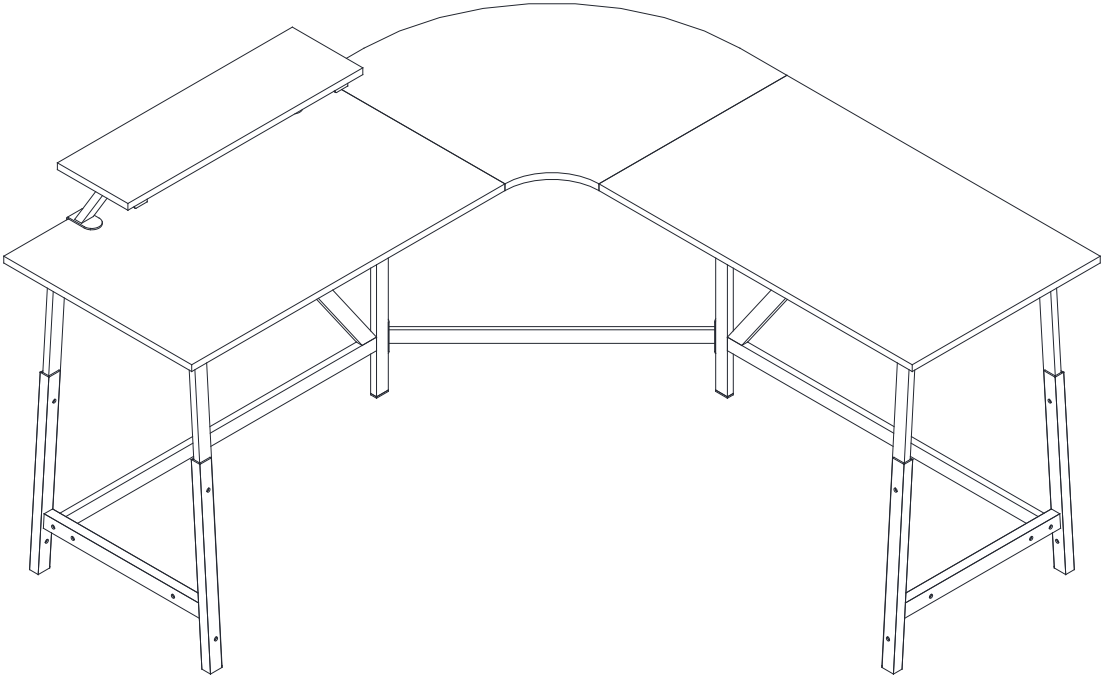
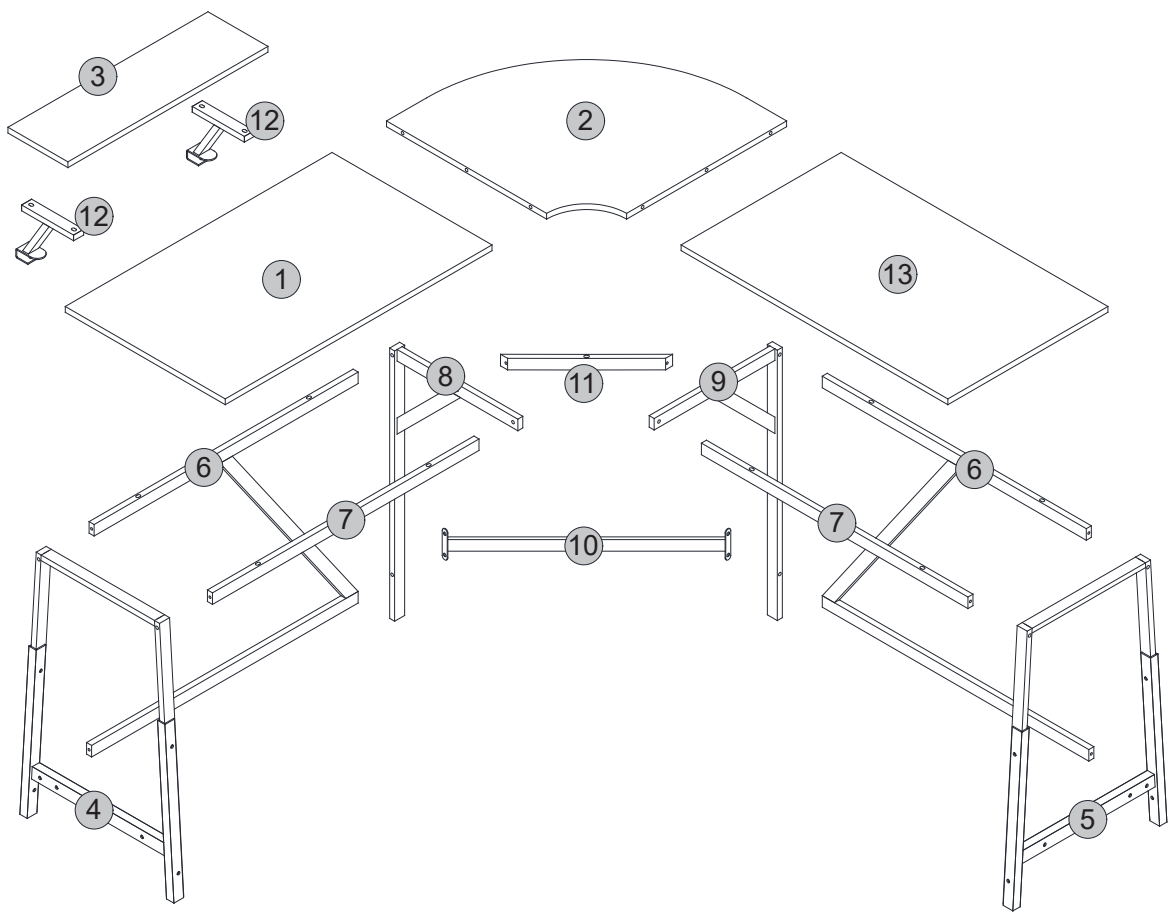


L Shaped Computer Desk Instruction Manual

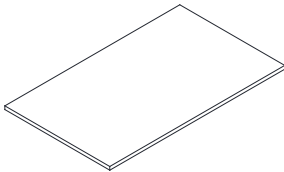

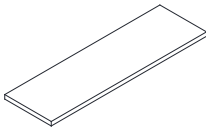
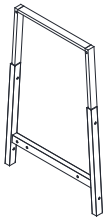
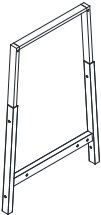
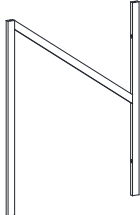
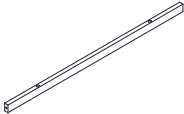
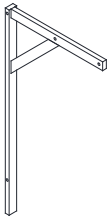
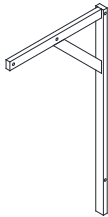
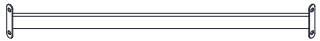

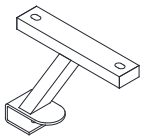
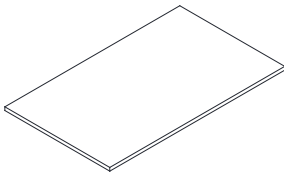
Note: There is also a more detailed installation video on the product detail page on website.



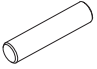
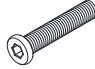
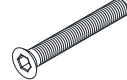
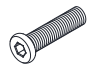
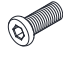

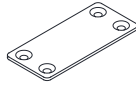
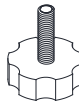


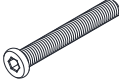
Parts List(EN)



Parts List(EN)

<p>① 1 PC</p> 	<p>② 1 PC</p> 	<p>③ 1 PC</p> 
<p>④ 1 PC</p> 	<p>⑤ 1 PC</p> 	<p>⑥ 2 PCS</p> 
<p>⑦ 2 PCS</p> 	<p>⑧ 1 PC</p> 	<p>⑨ 1 PC</p> 
<p>⑩ 1 PC</p> 	<p>⑪ 1 PC</p> 	<p>⑫ 2 PCS</p> 
<p>⑬ 1 PC</p> 		

Parts List(EN)

A  <div style="text-align: right; border: 1px solid black; padding: 2px; width: fit-content; margin-left: auto;">6 PCS</div>	B  <div style="text-align: right; border: 1px solid black; padding: 2px; width: fit-content; margin-left: auto;">9+1 PCS</div>	C  <div style="text-align: right; border: 1px solid black; padding: 2px; width: fit-content; margin-left: auto;">2 PCS</div>
D  <div style="text-align: right; border: 1px solid black; padding: 2px; width: fit-content; margin-left: auto;">6 PCS</div>	E  <div style="text-align: right; border: 1px solid black; padding: 2px; width: fit-content; margin-left: auto;">4 PCS</div>	F  <div style="text-align: right; border: 1px solid black; padding: 2px; width: fit-content; margin-left: auto;">16+2 PCS</div>
G  <div style="text-align: right; border: 1px solid black; padding: 2px; width: fit-content; margin-left: auto;">4 PCS</div>	H  <div style="text-align: right; border: 1px solid black; padding: 2px; width: fit-content; margin-left: auto;">2 PCS</div>	I  <div style="text-align: right; border: 1px solid black; padding: 2px; width: fit-content; margin-left: auto;">2 PCS</div>
J  <div style="text-align: right; border: 1px solid black; padding: 2px; width: fit-content; margin-left: auto;">1 PC</div>	K  <div style="text-align: right; border: 1px solid black; padding: 2px; width: fit-content; margin-left: auto;">10+1 PCS</div>	

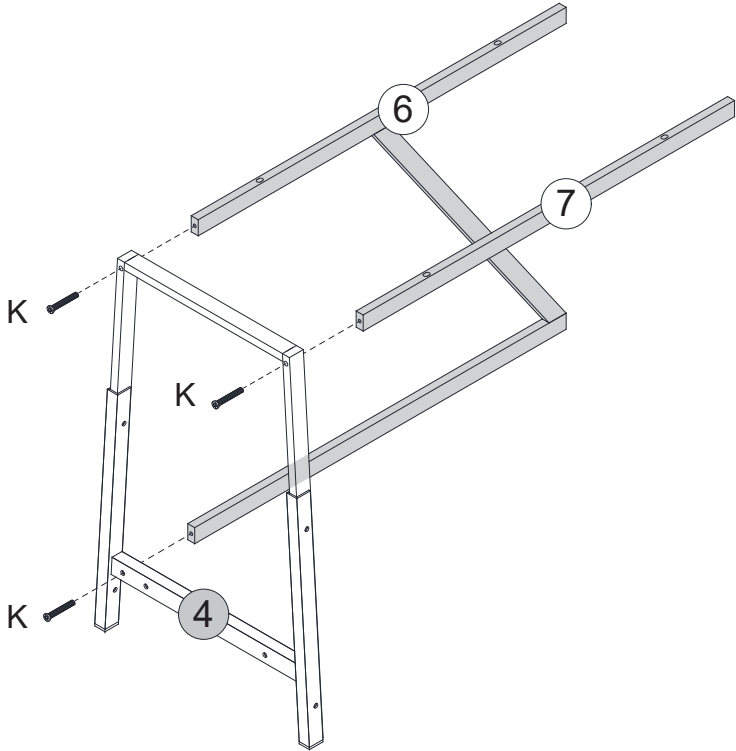



Please read the following instructions carefully:

1. If power drills for assembly, please be sure to adjust the appropriate speed and accessories, excessive rotational speed or unsuitable drill bits may cause damage to screws and boards.
2. Please follow the instructions or the video on the detail page to assemble the product.
3. Due to the small size of the screw, please put them in a safe position when installing them to avoid accidental ingestion or loss.
4. After the installation is completed, you can use cotton cloth to clean the board.
5. We offer customers a free lifetime warranty. If you need help regarding product issues, after-sales service or other relevant problems, please contact us via the email on the cover.

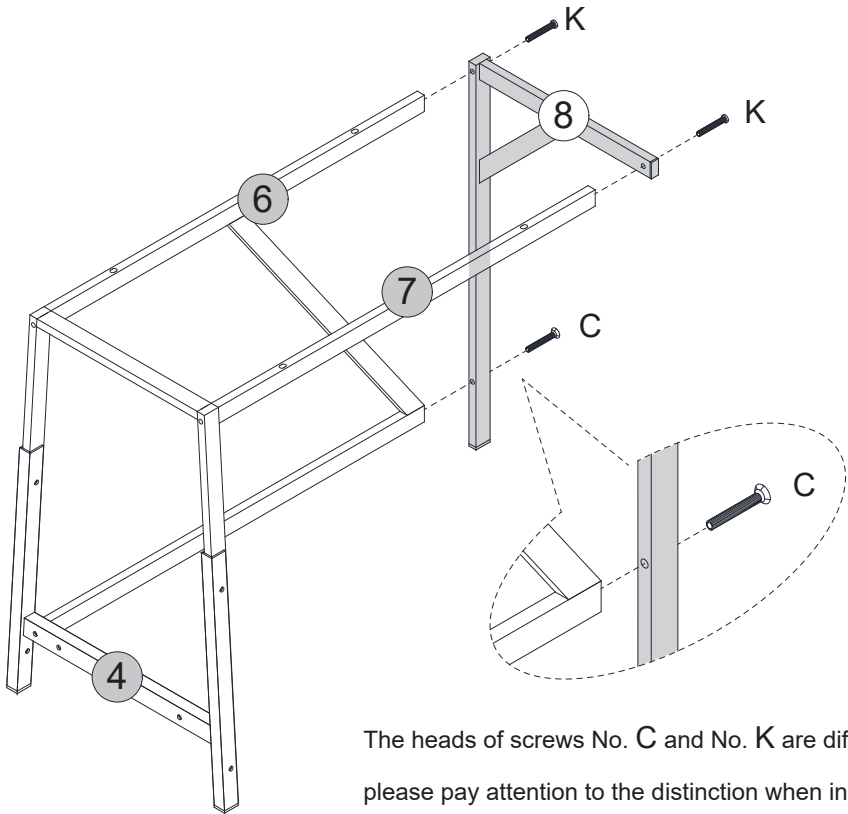
Assembly Steps(EN)

STEP 1





	K x 3PCS
---	----------

STEP 2




The heads of screws No. C and No. K are different, please pay attention to the distinction when installing.

	C x 1PC
	K x 2PCS

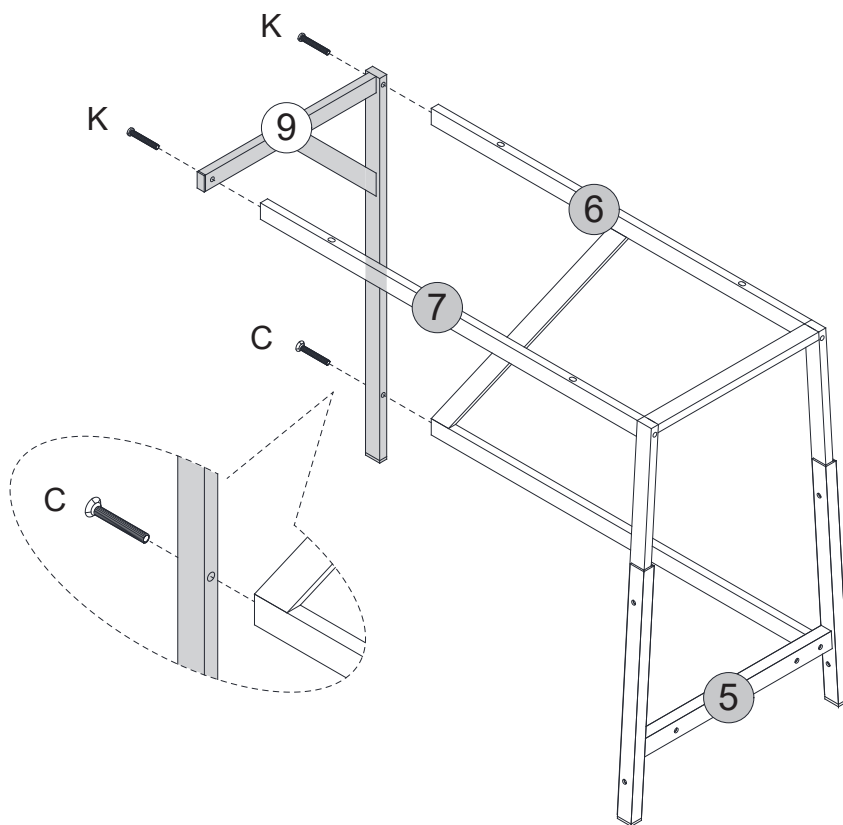
Assembly Steps(EN)



STEP 3



	K x 3PCS
---	----------

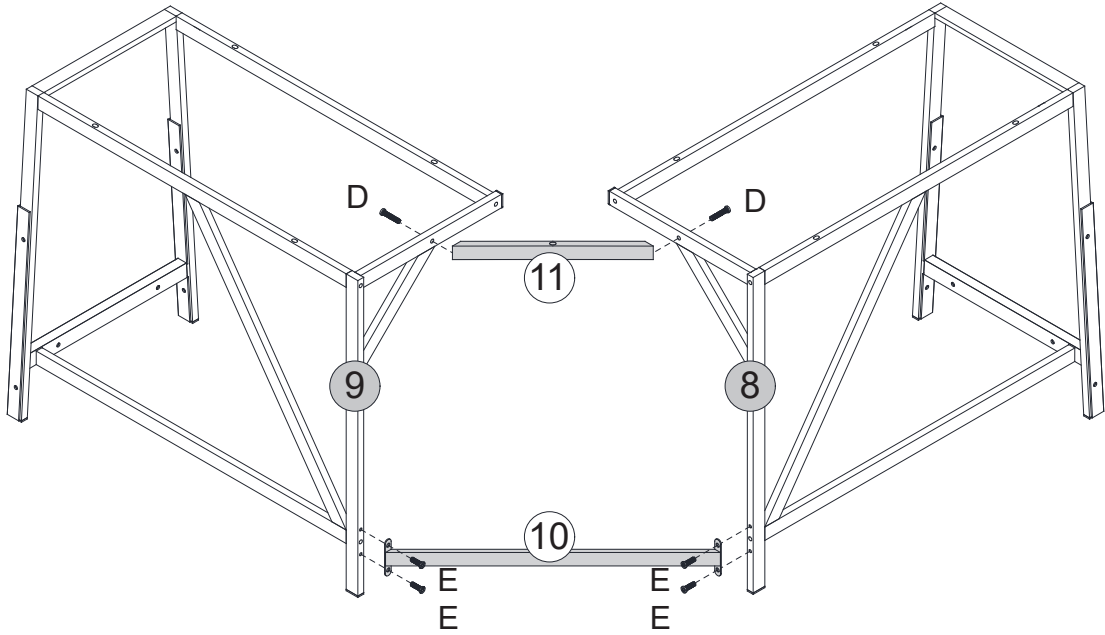
STEP 4



	C x 1PC
	K x 2PCS

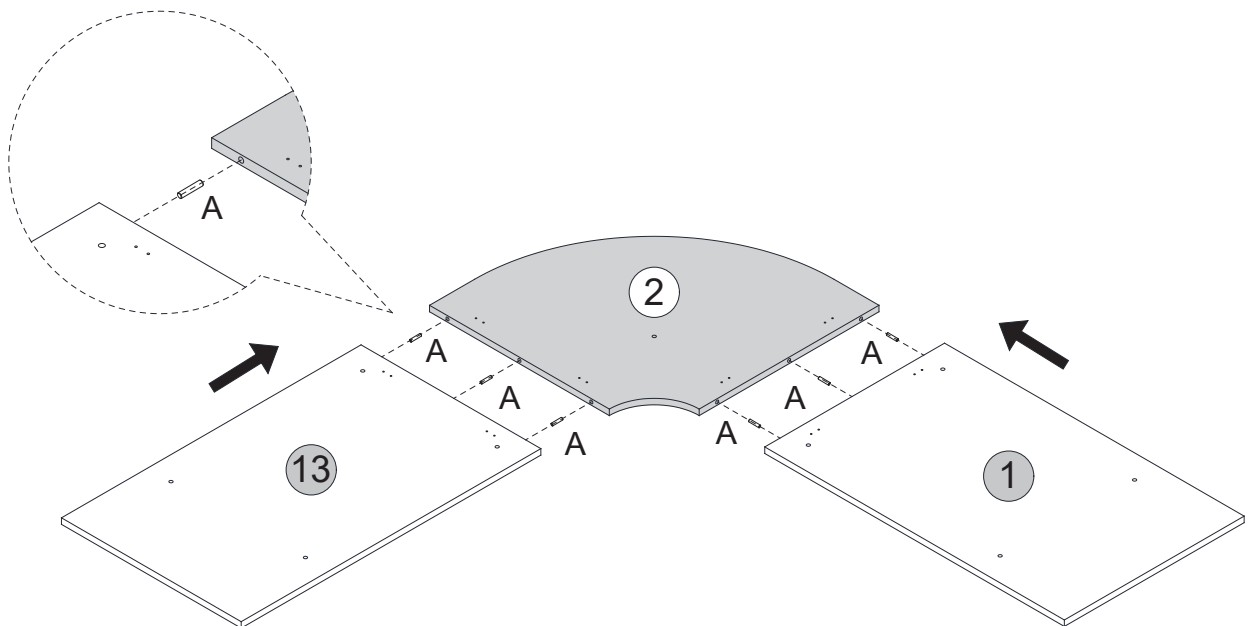
Assembly Steps(EN)


STEP 5



	D x 2PCS
	E x 4PCS

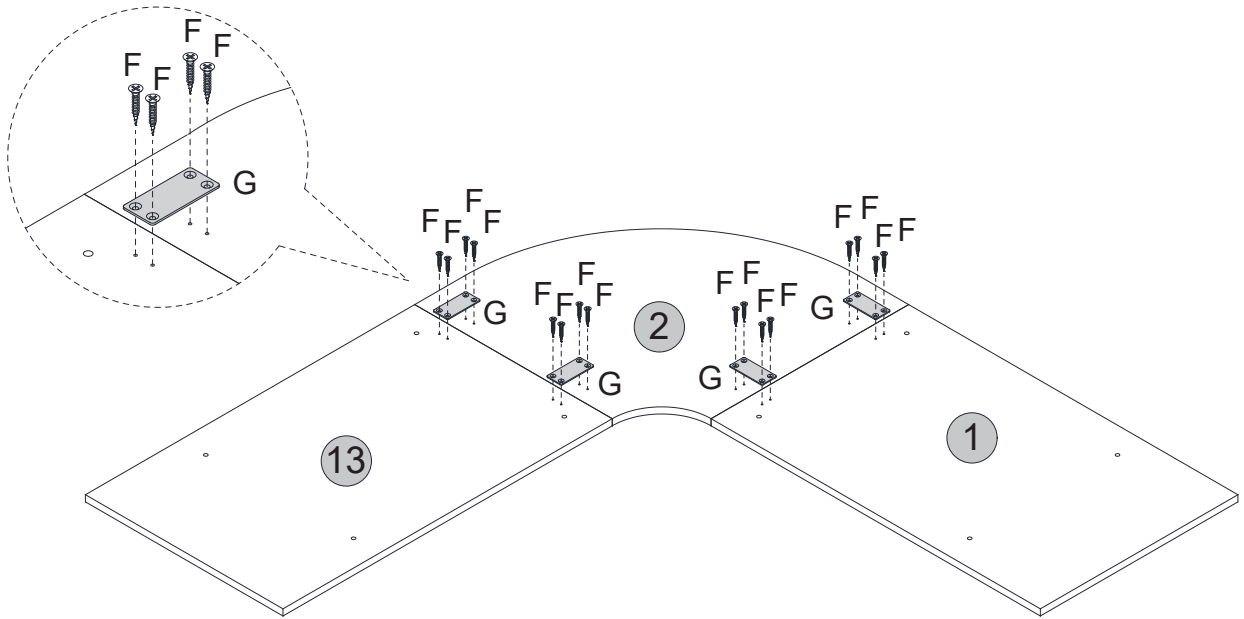
STEP 6





	A x 6PCS
---	----------

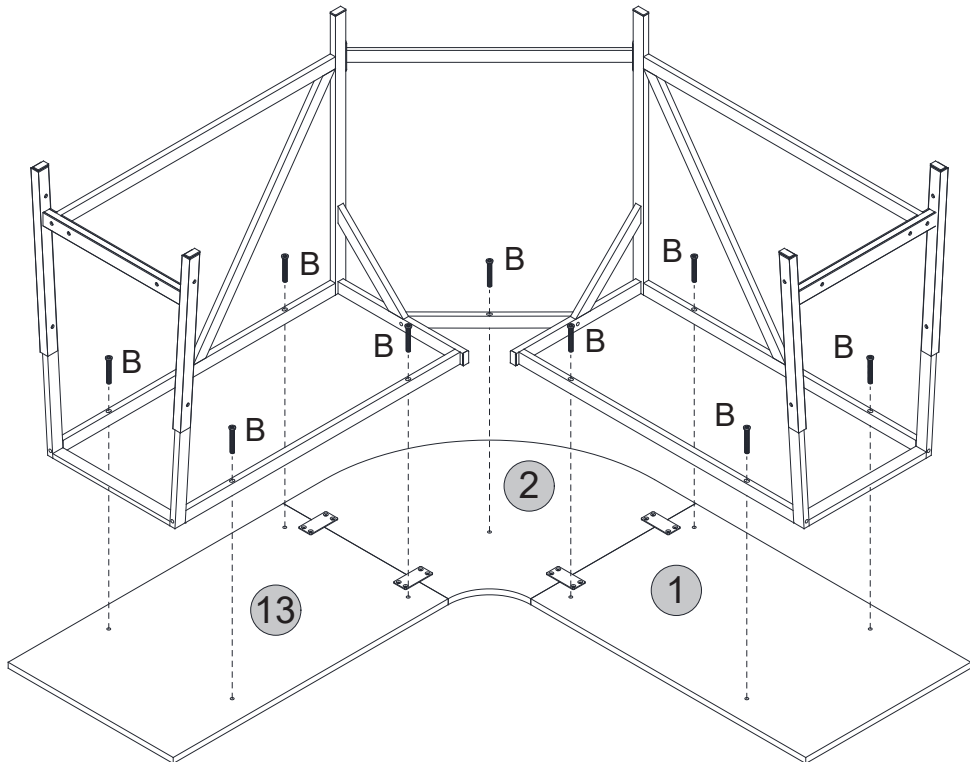
Assembly Steps(EN)


STEP 7



	F x 16PCS
	G x 4PCS

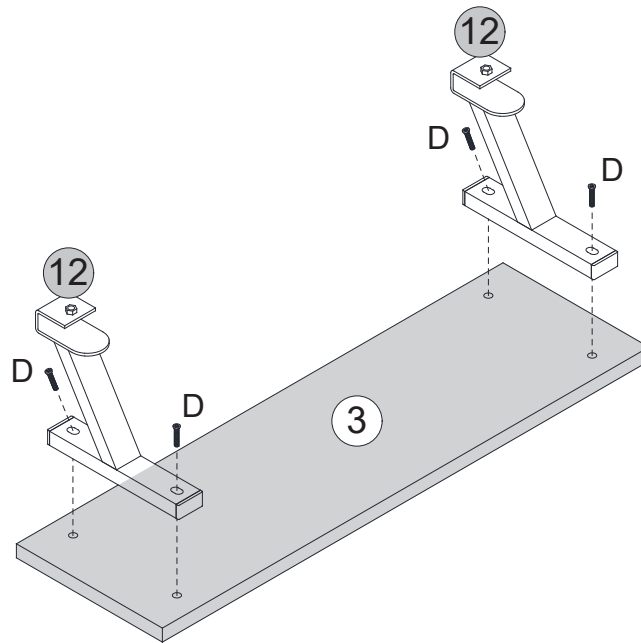
STEP 8



	B x 9PCS
---	----------

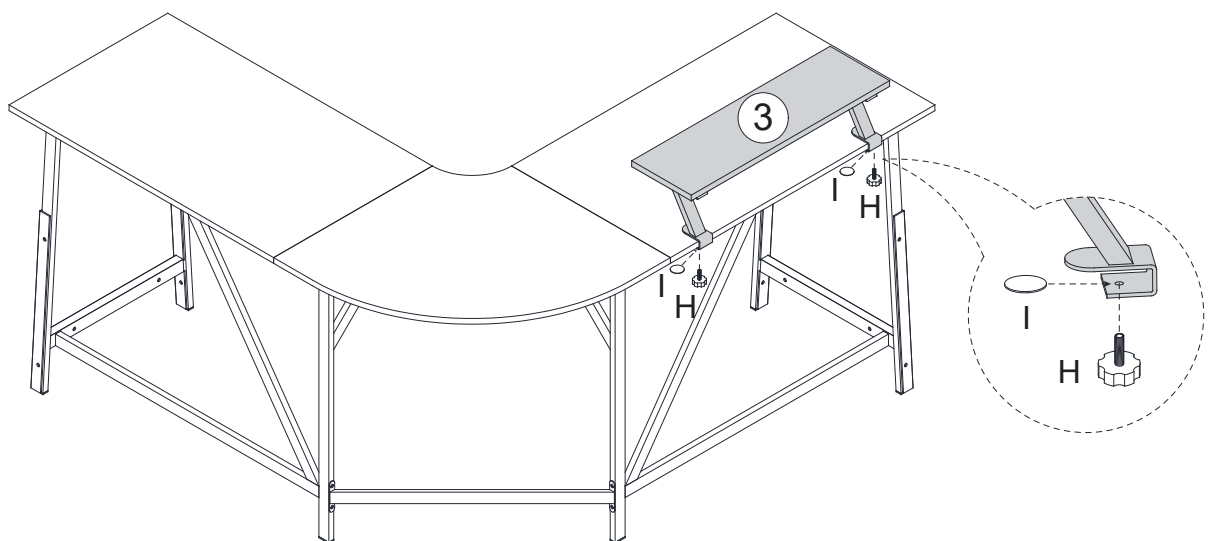
Assembly Steps(EN)

STEP 9



D x 4PCS

STEP 10



H x 2PCS



I x 2PCS

Assembly Steps(EN)

STEP 11

