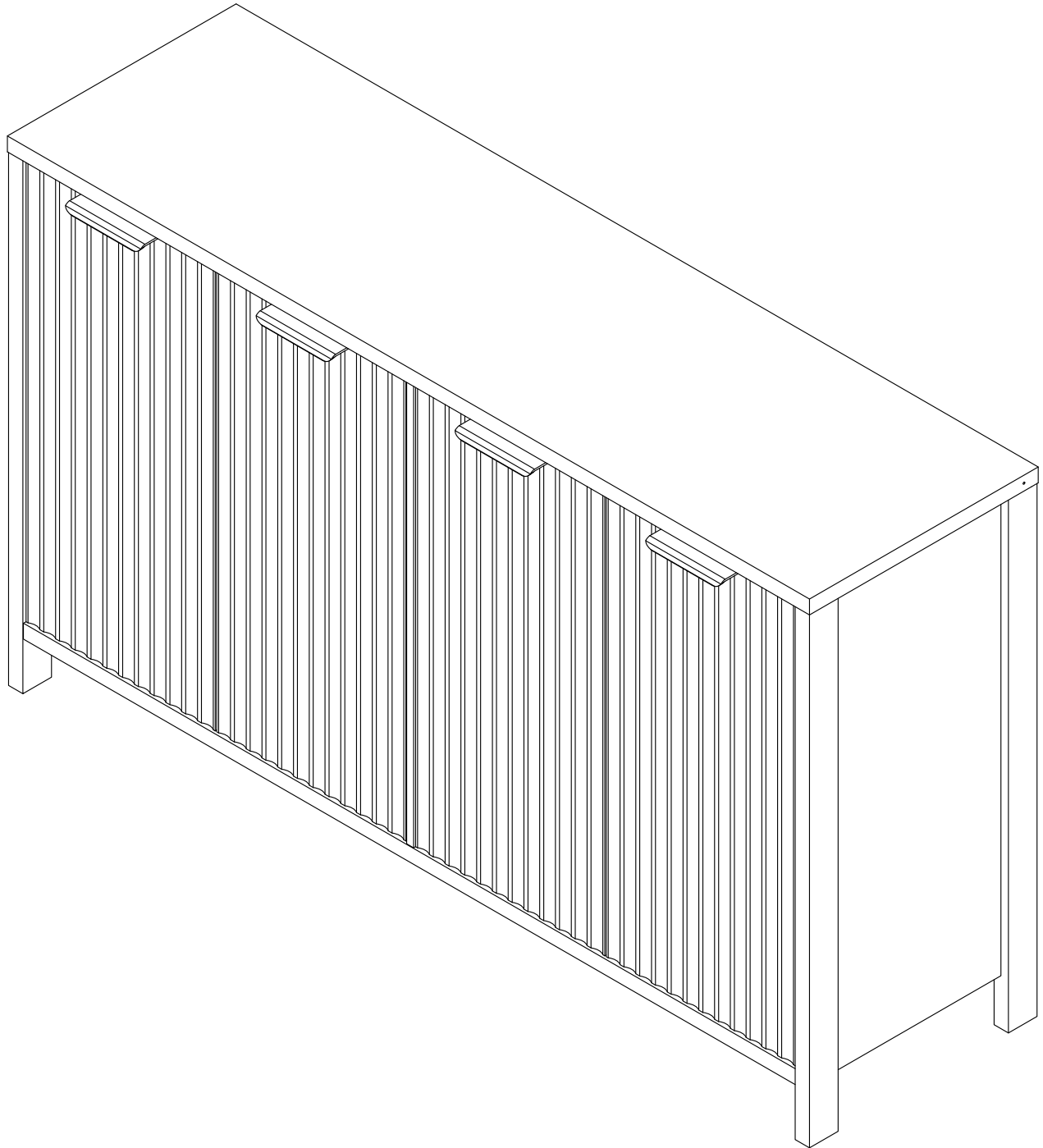
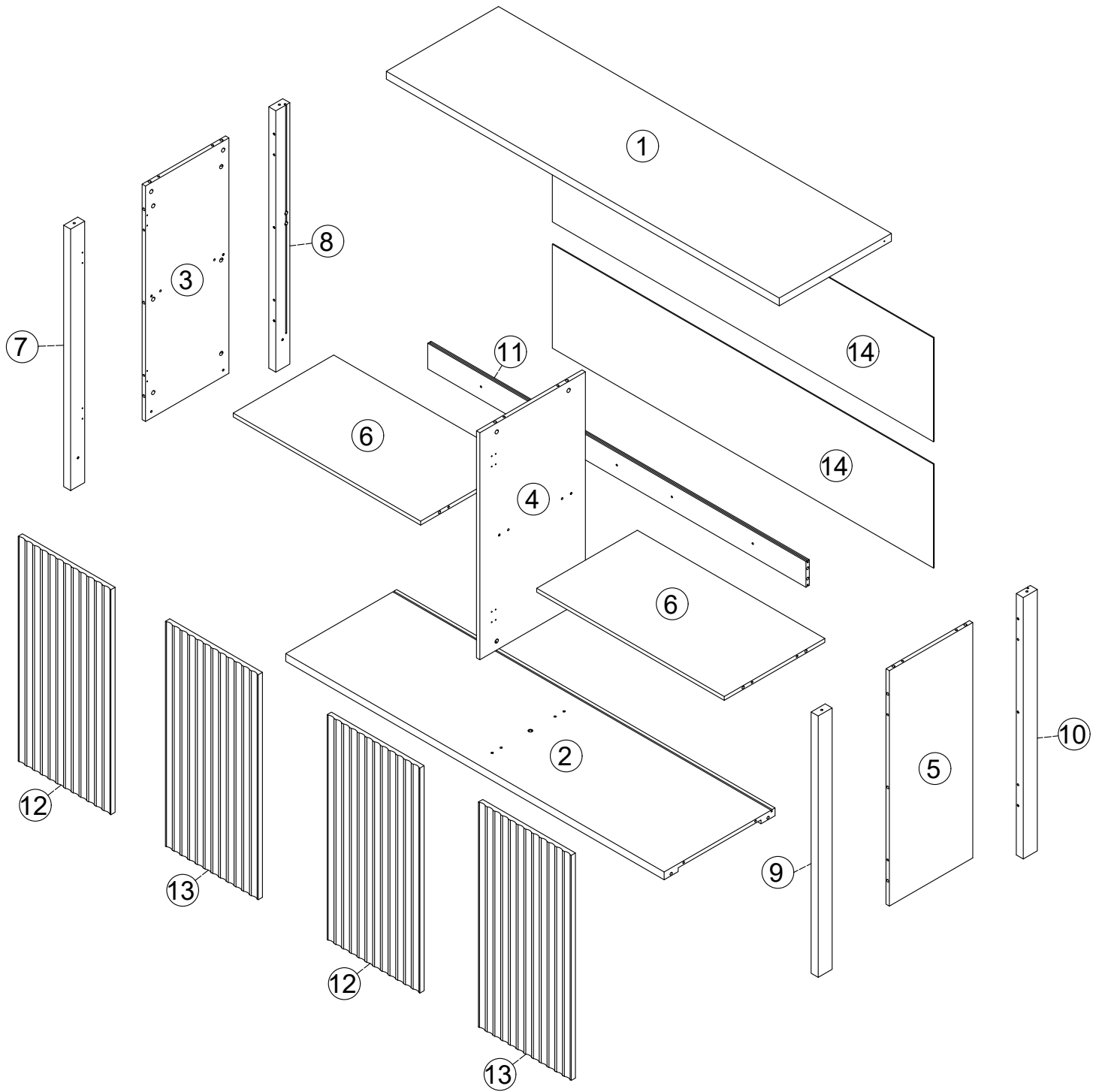


Installation Instruction

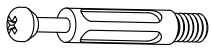






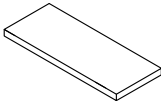
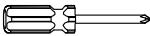
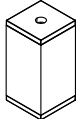
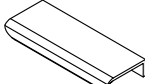



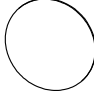
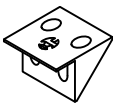



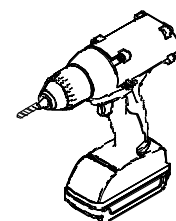
Please note: We provide fast after-sales service, don't worry if there is something wrong with the package you received. Please contact us first, we will reply you in time!

EXPLODED DRAWING:

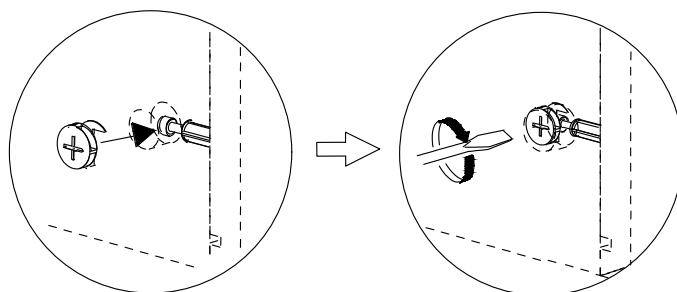
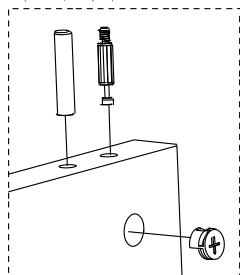


PARTS:

	A X36 $\varnothing 6 \times 35$		B X32 $M6 \times 30$		C X36 $\varnothing 12$
	D X10 $M4 \times 14$		E X56 $M4 \times 10$		F X1
	G X5 $M4 \times 30$		H X4		I X1
	J X1		K X4		L X1
	M X2		N X8		O X36
	P X8		Q X2		
		Q1	Q2	Q3	Q4



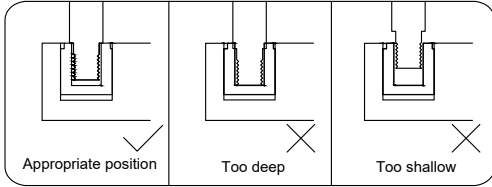
MINIFIX POSITION


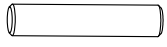


1.

REMARK:

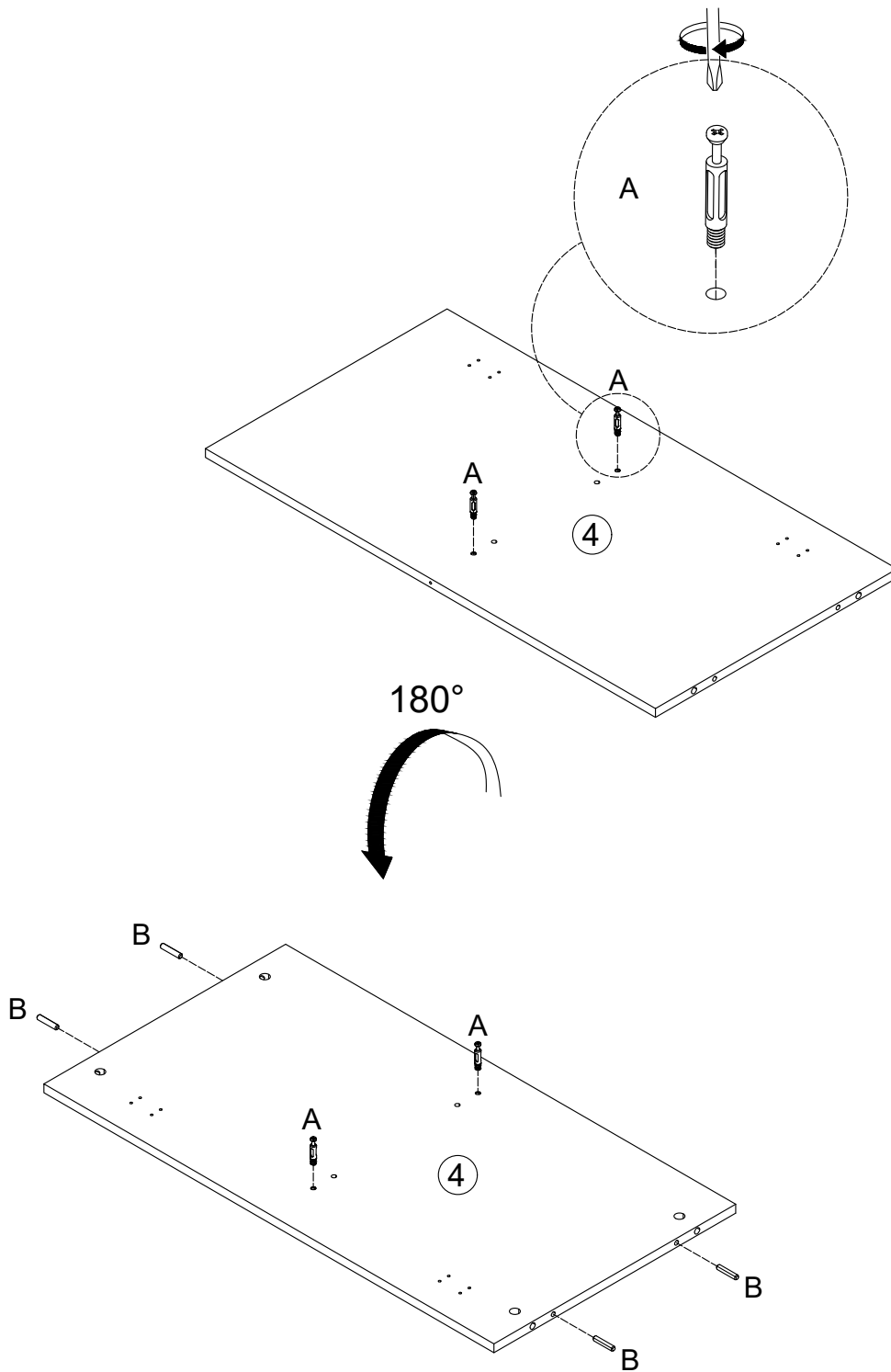
Please do not screw **A** too deep or too shallow.



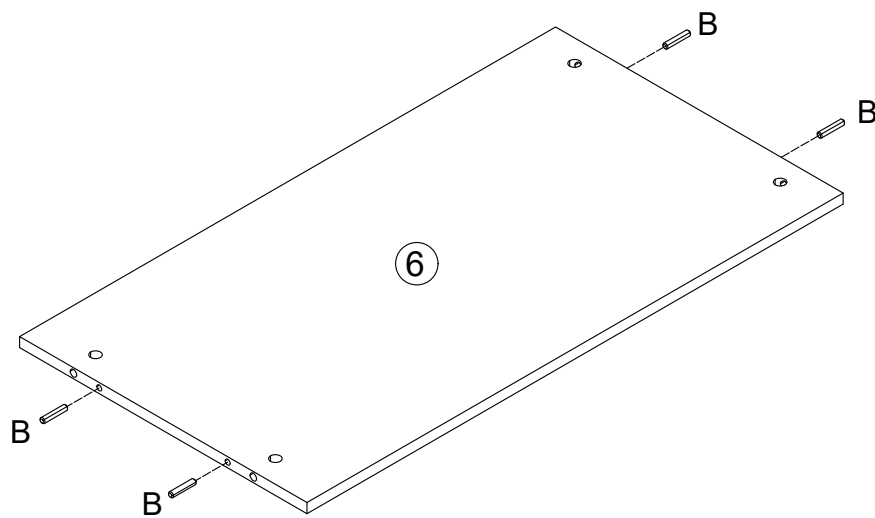
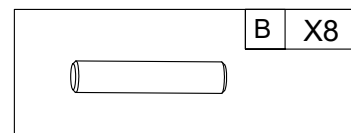
	A	X4
	B	X4

REMARK :

Put a blanket under the board to avoid scratch or damage.

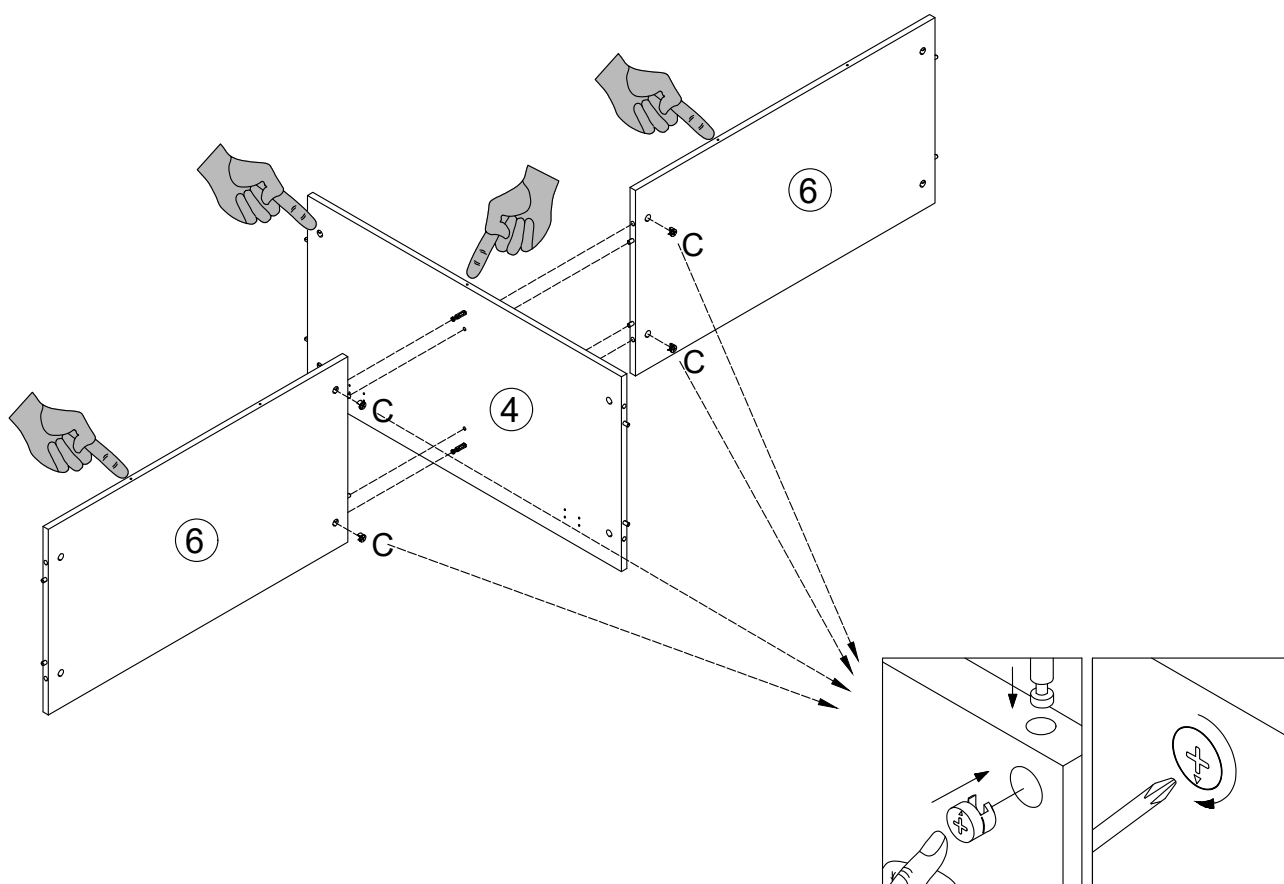
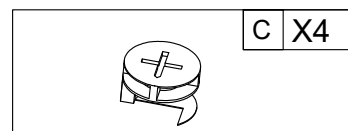


2.

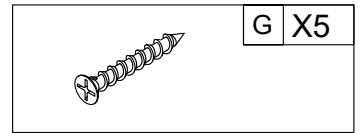
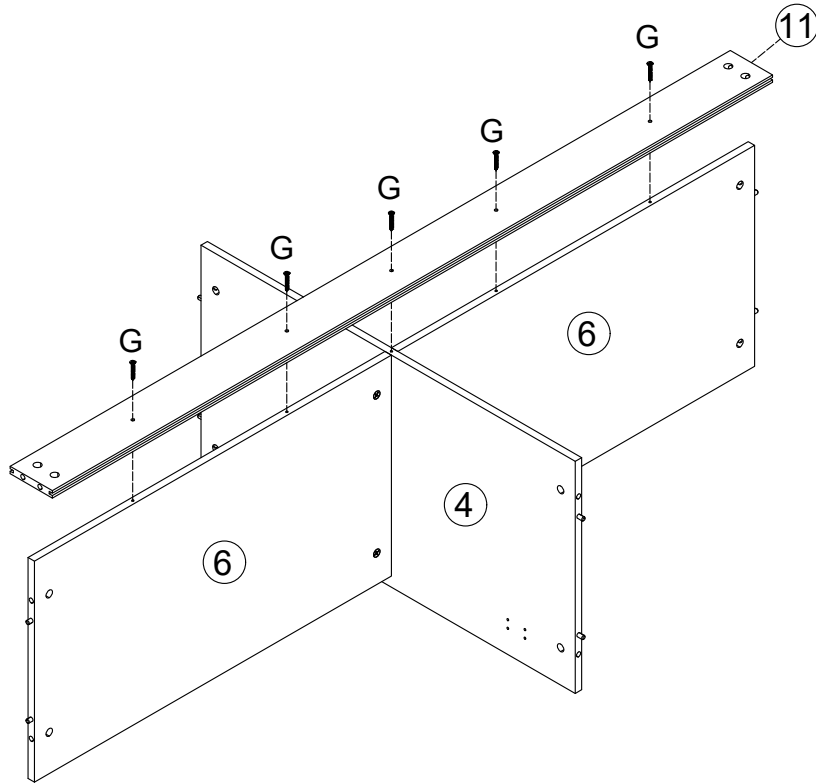


X2

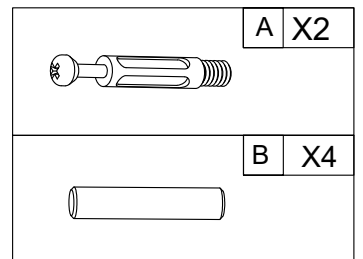
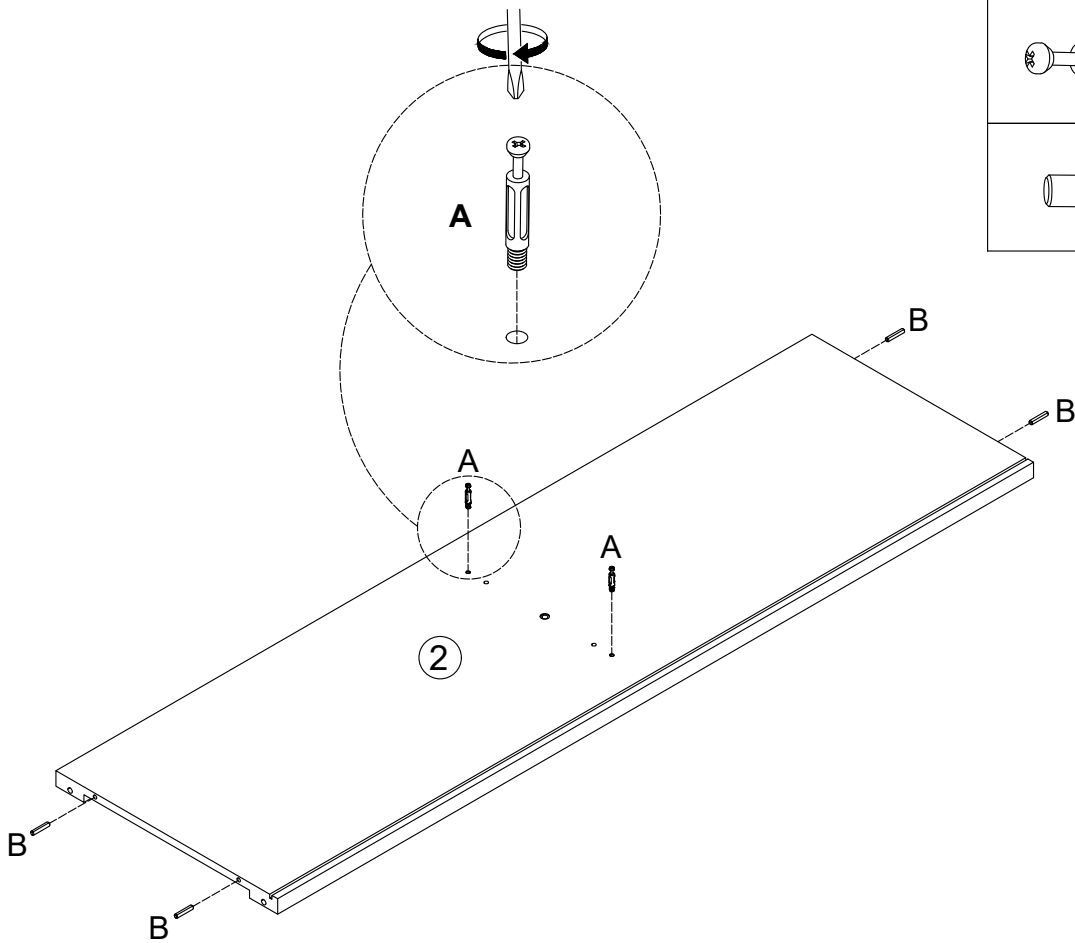
3.



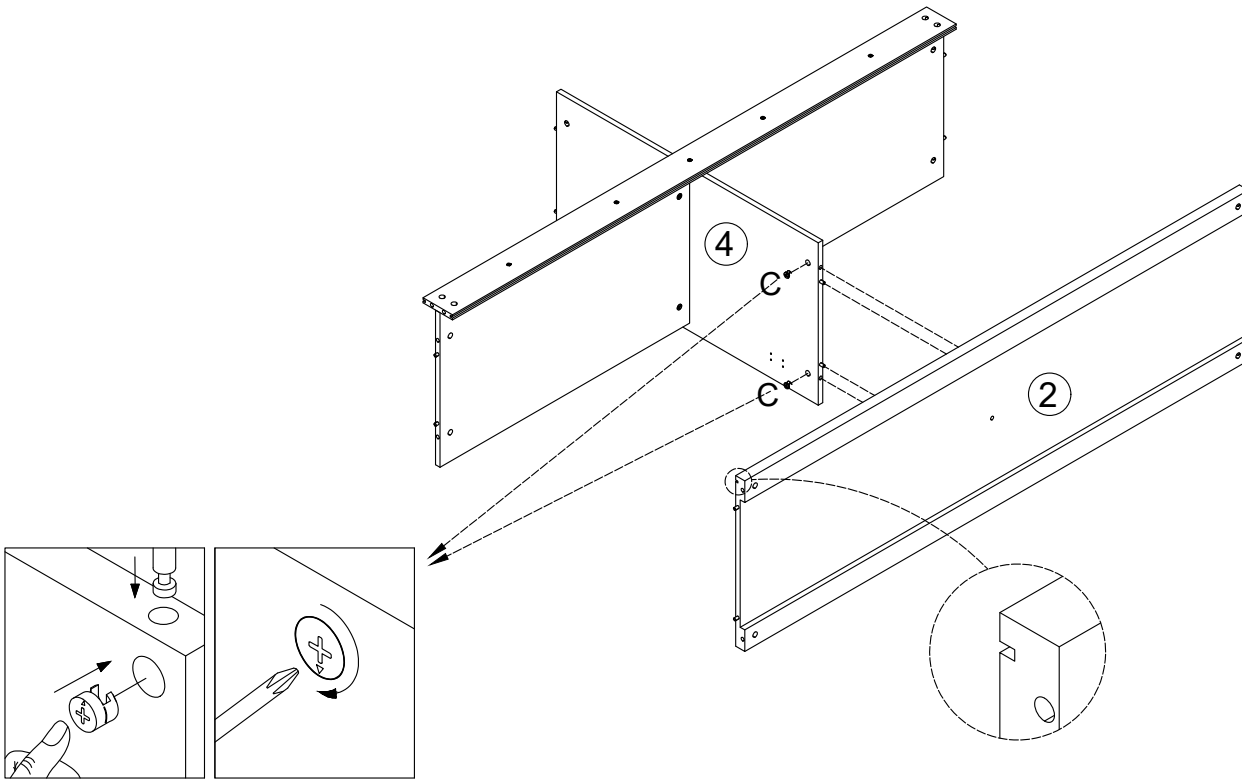
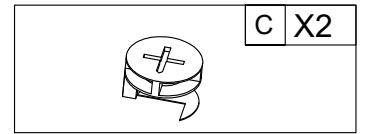
4.



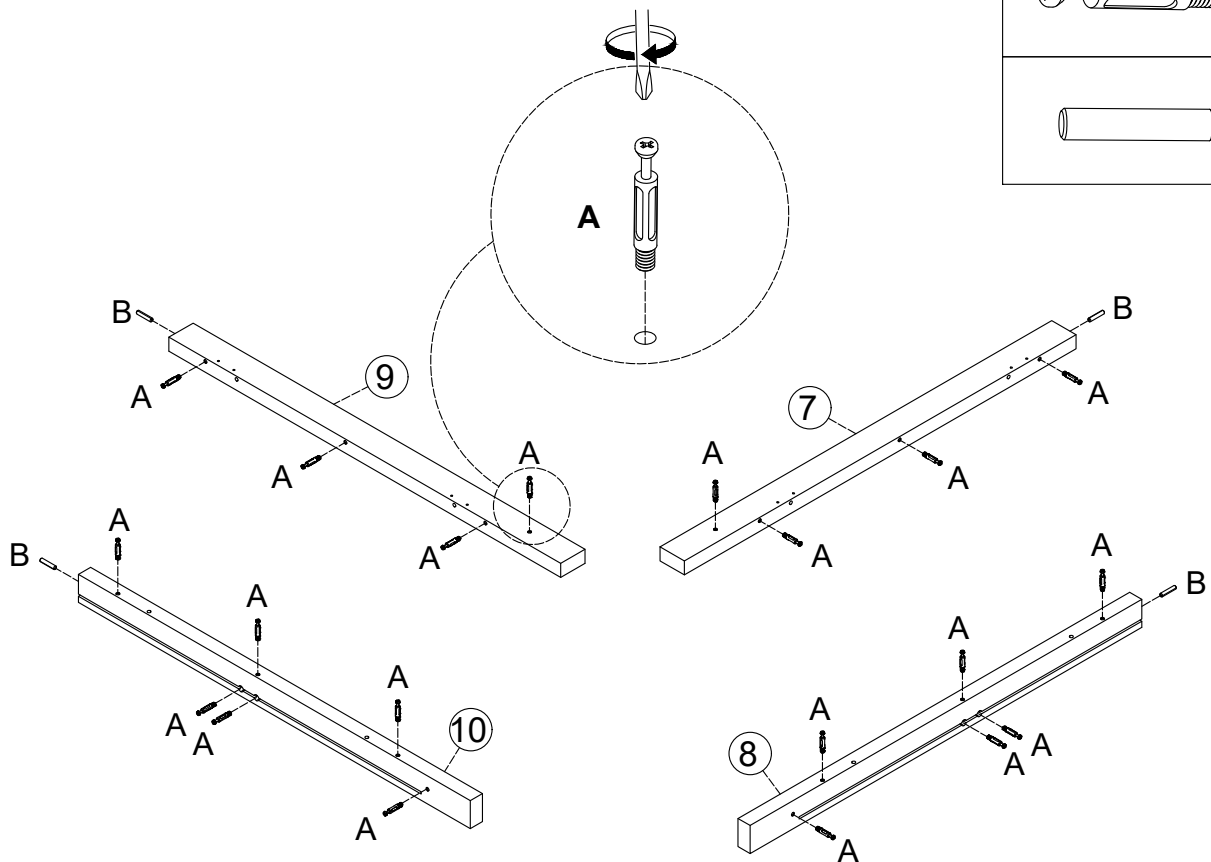
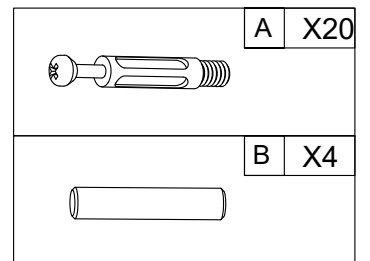
5.




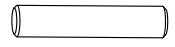
6.

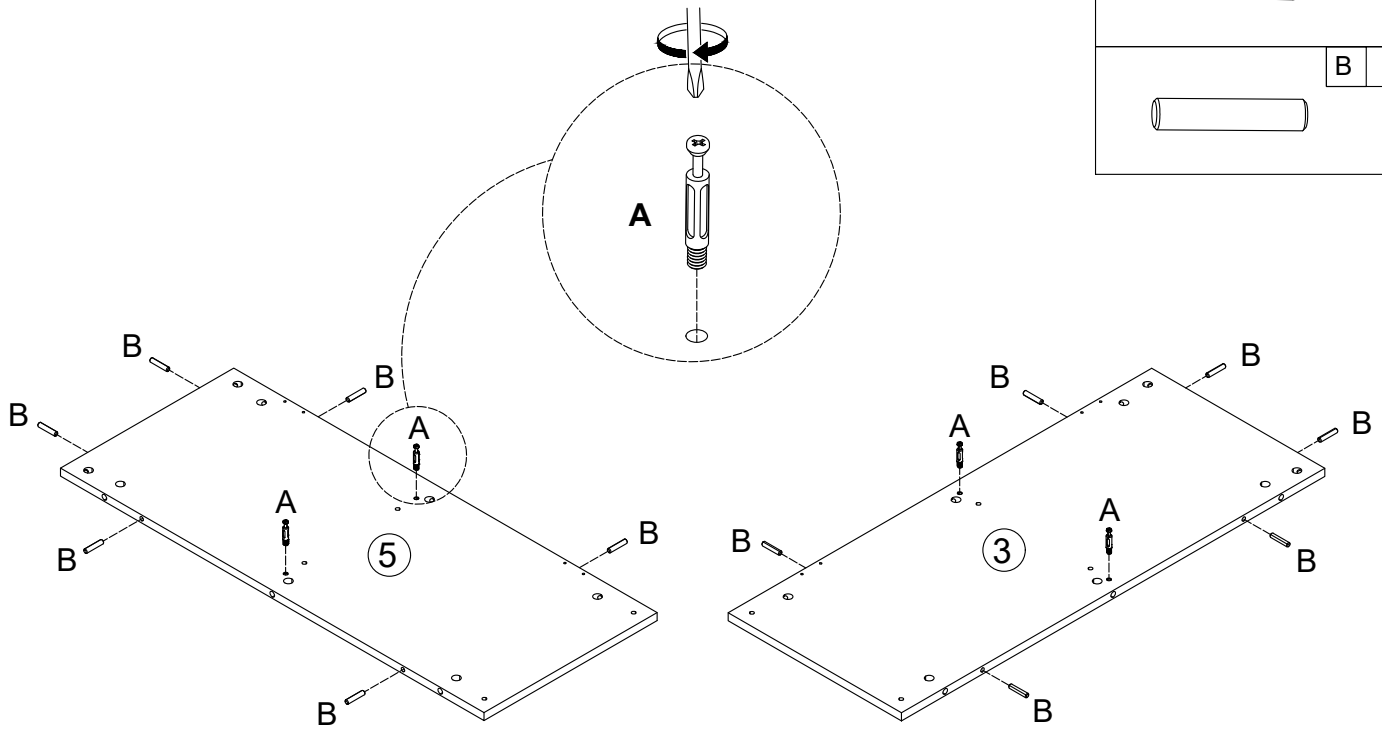


7.




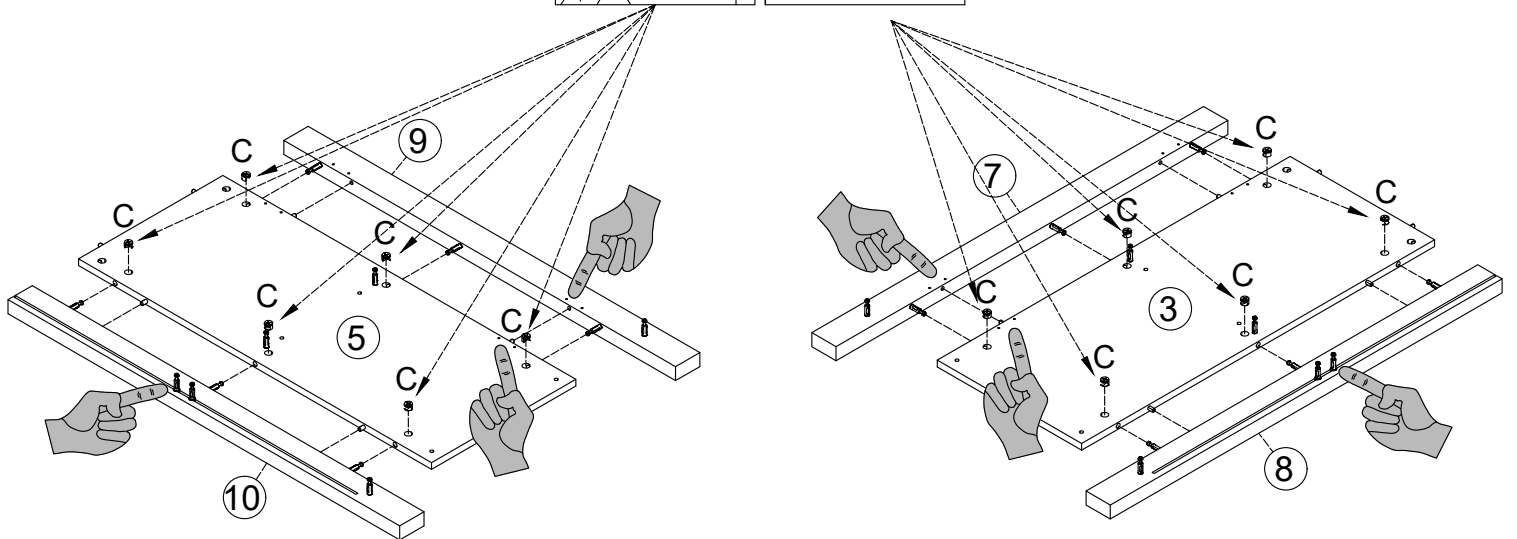
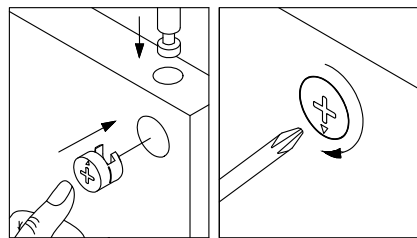
8.

	A	X4
	B	X12

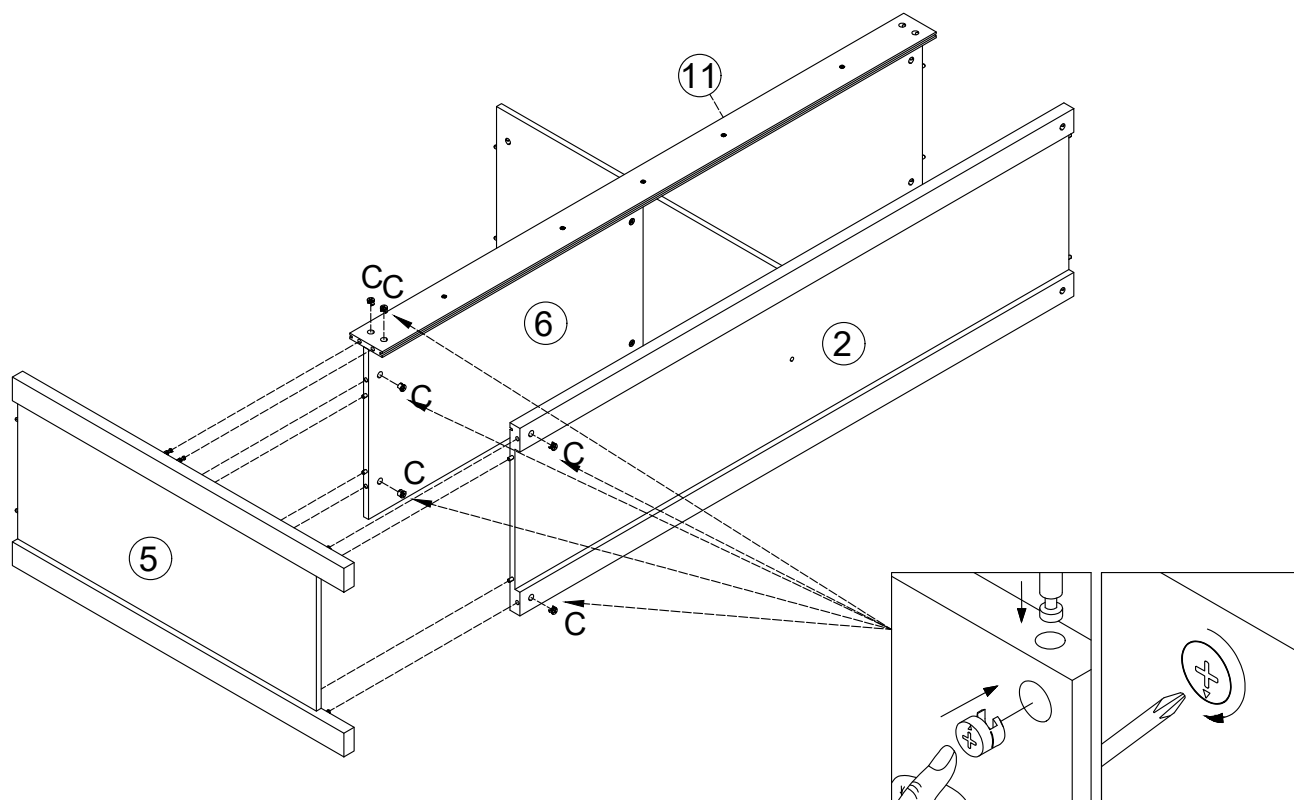
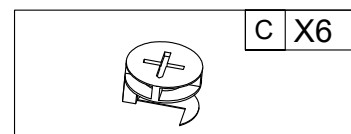


9.

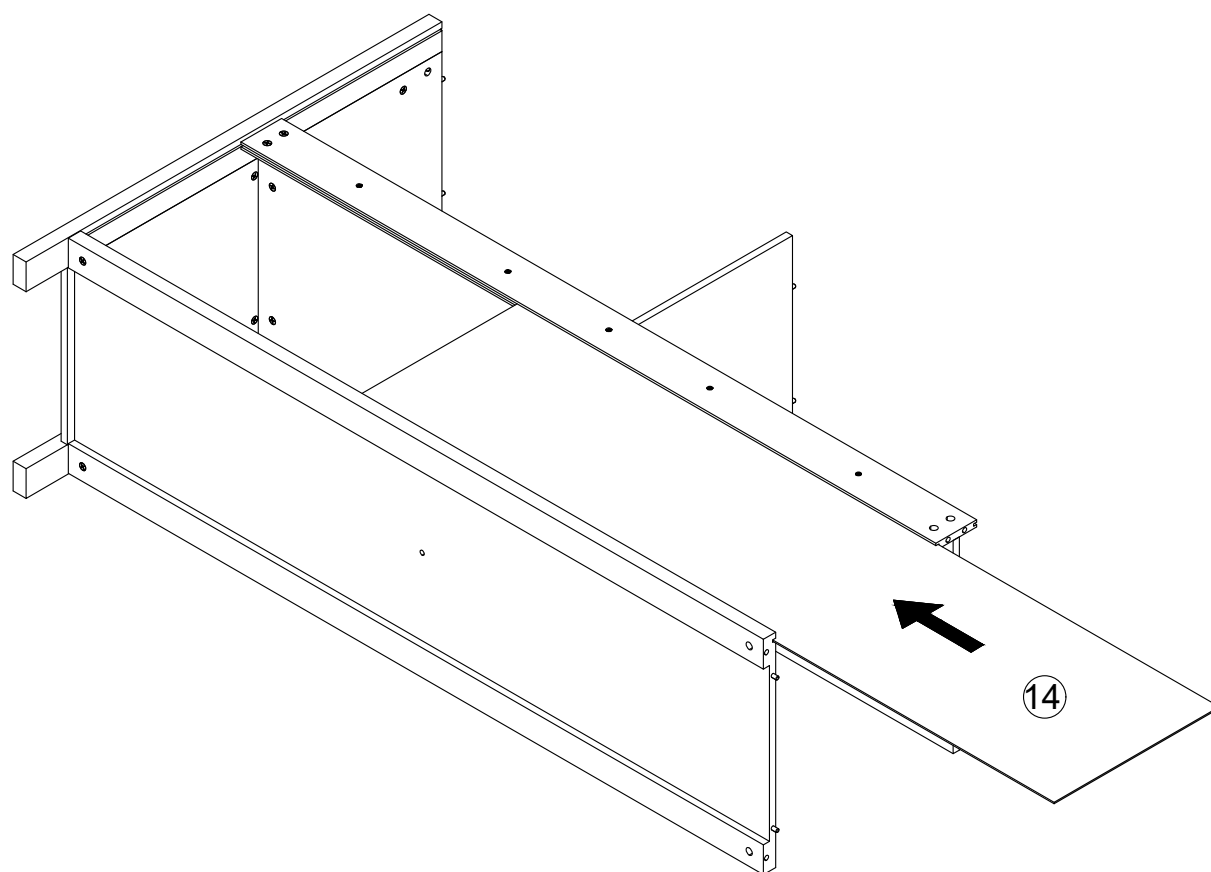
	C	X12
---	---	-----




10.

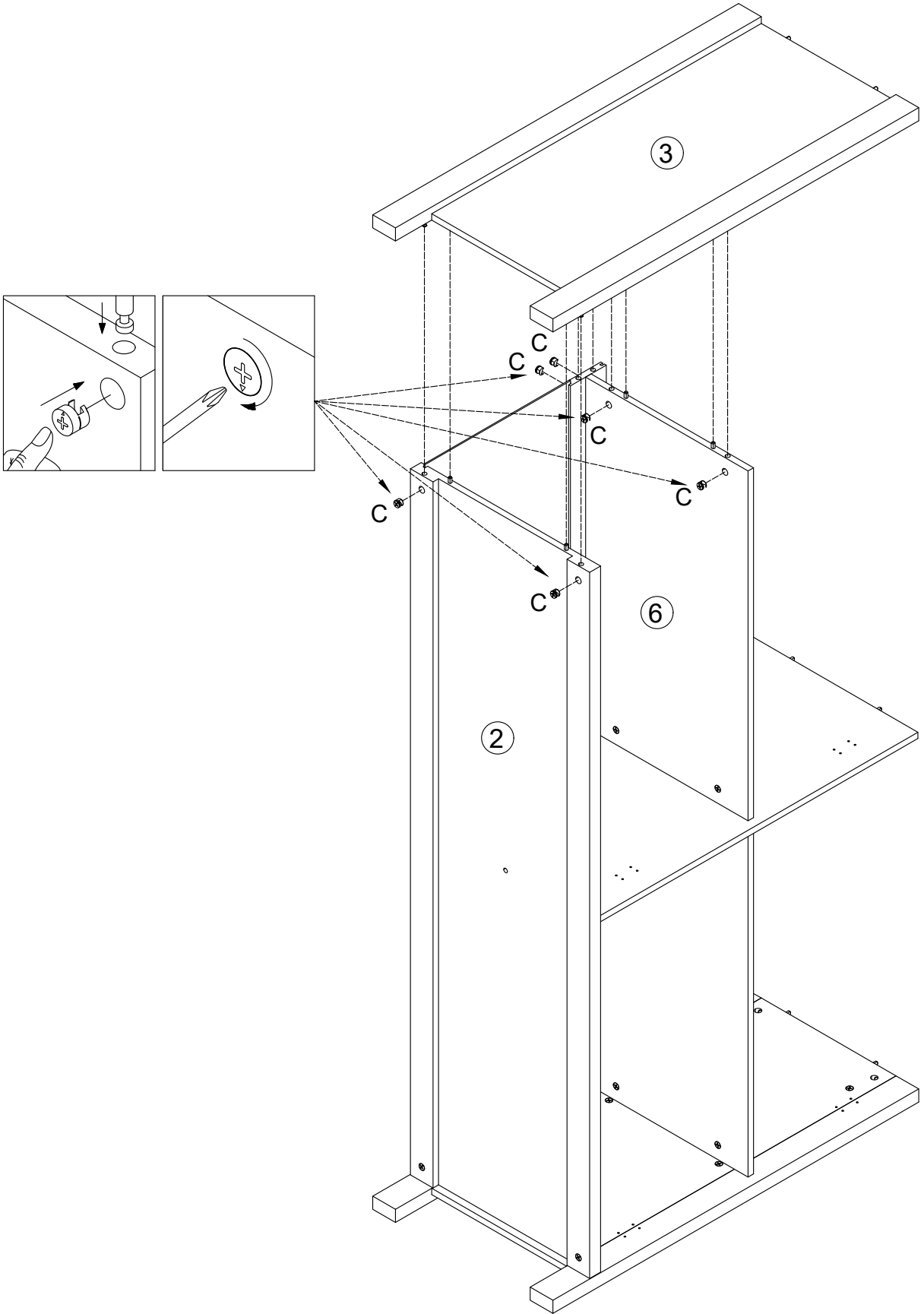


11.

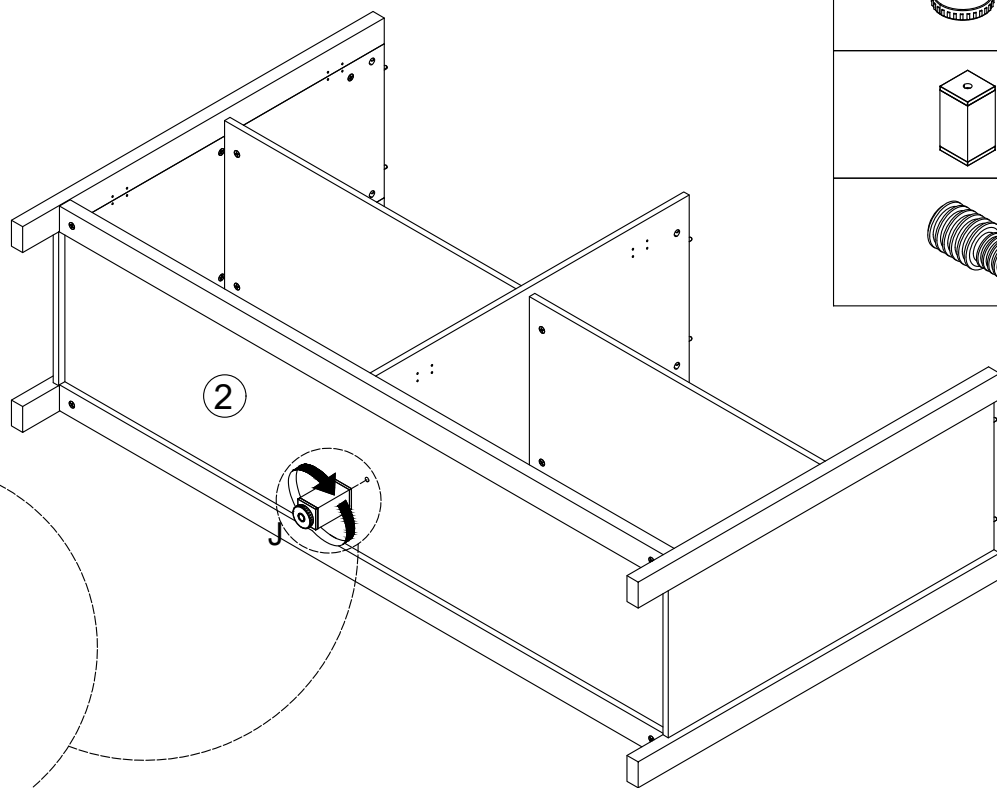


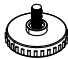
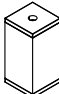

12.

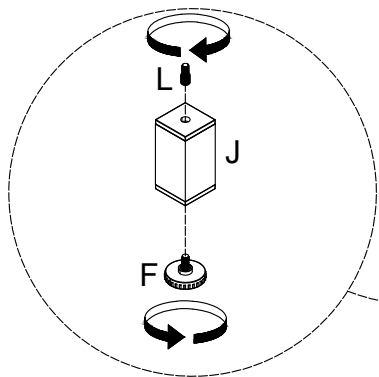
	C X6
---	------



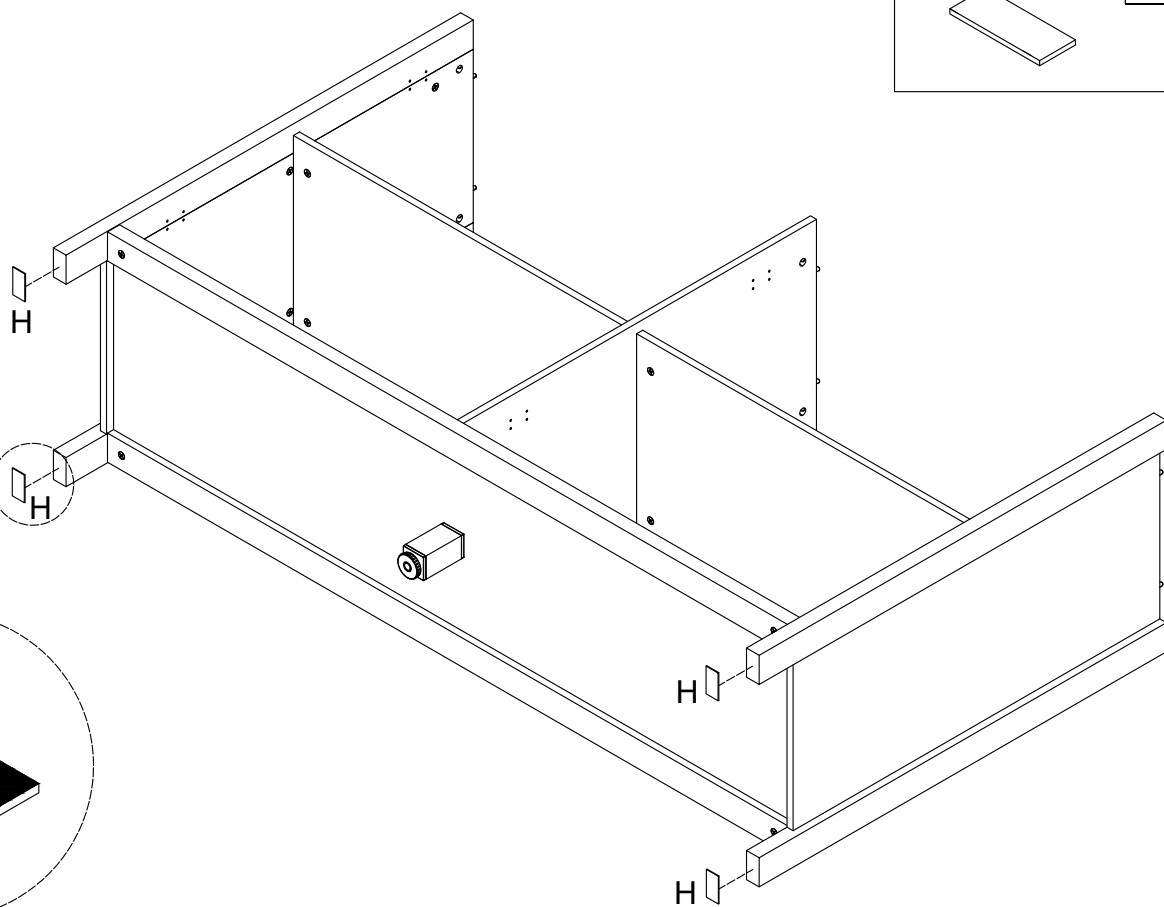
13.

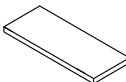


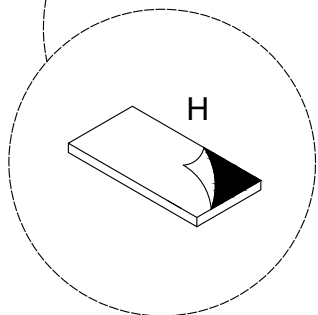
	F	X1
	J	X1
	L	X1



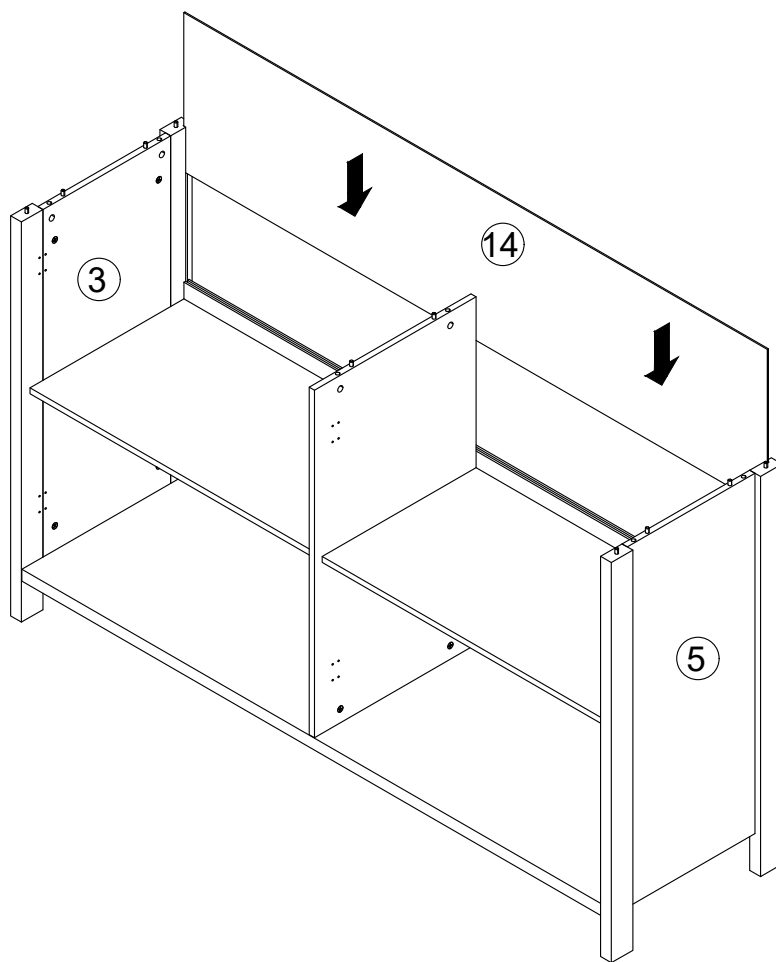
14.



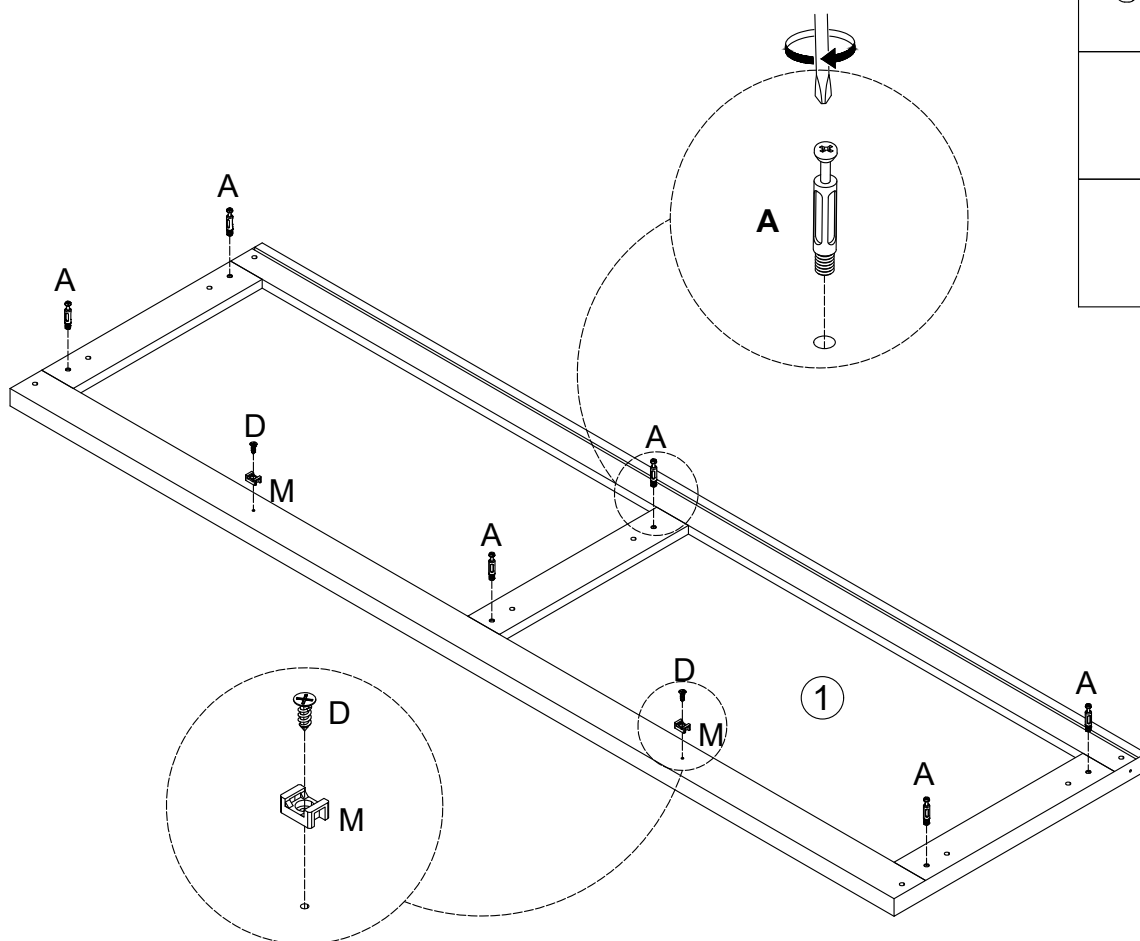
	H	X4
---	---	----






15.




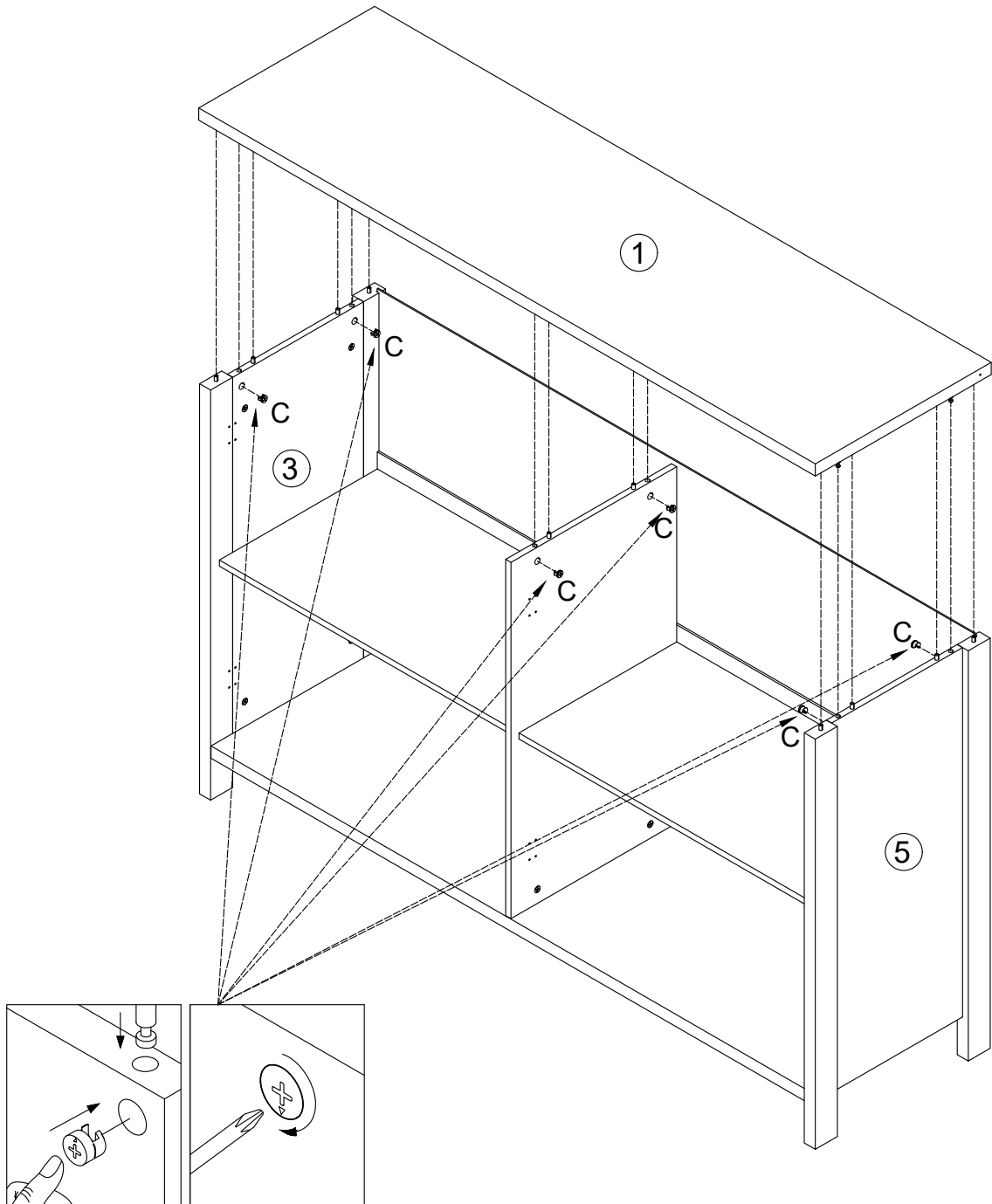
16.



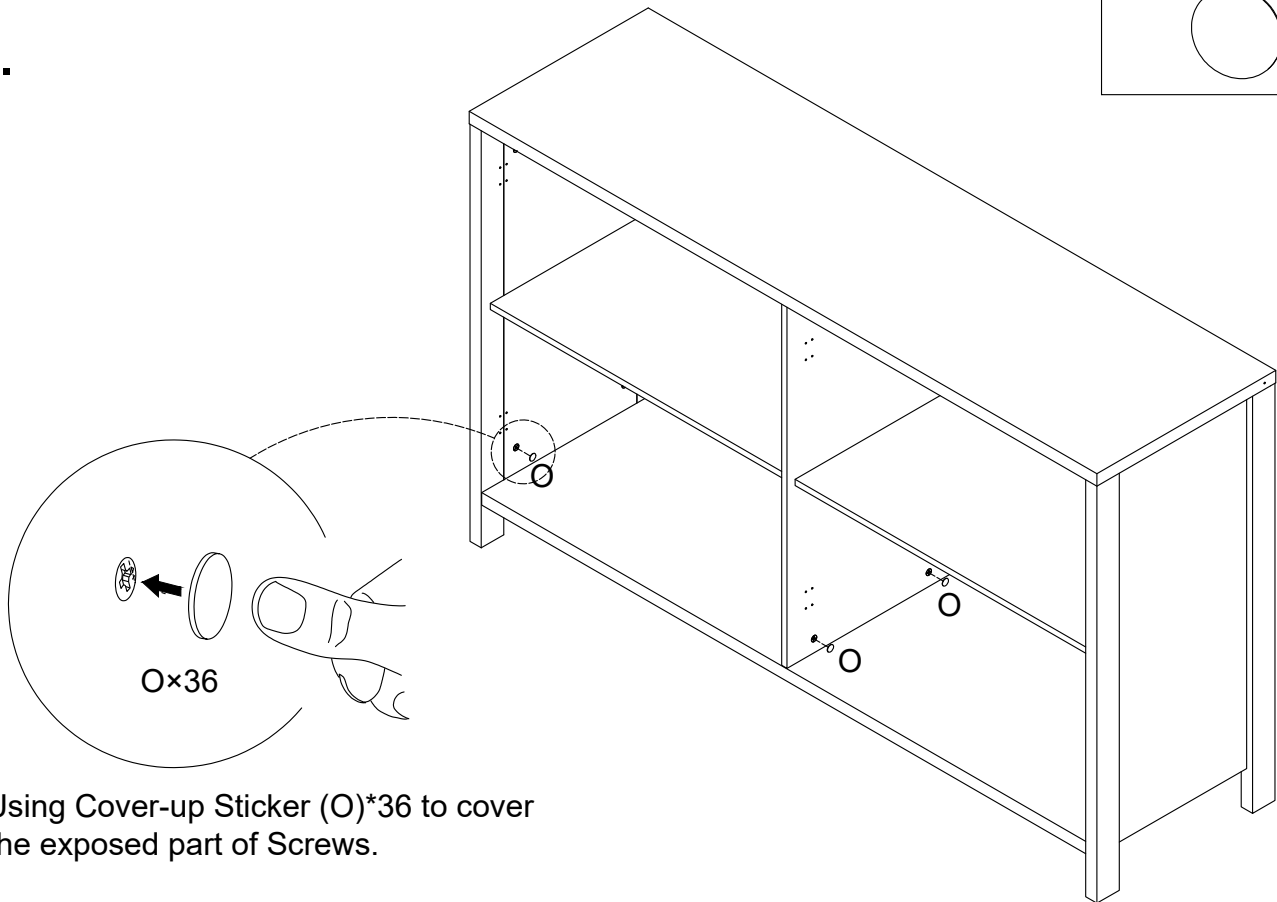
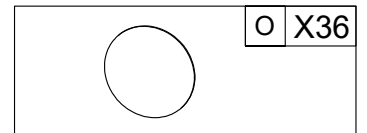
	A X6
	D X2
	M X2

17.

	C X6
---	------

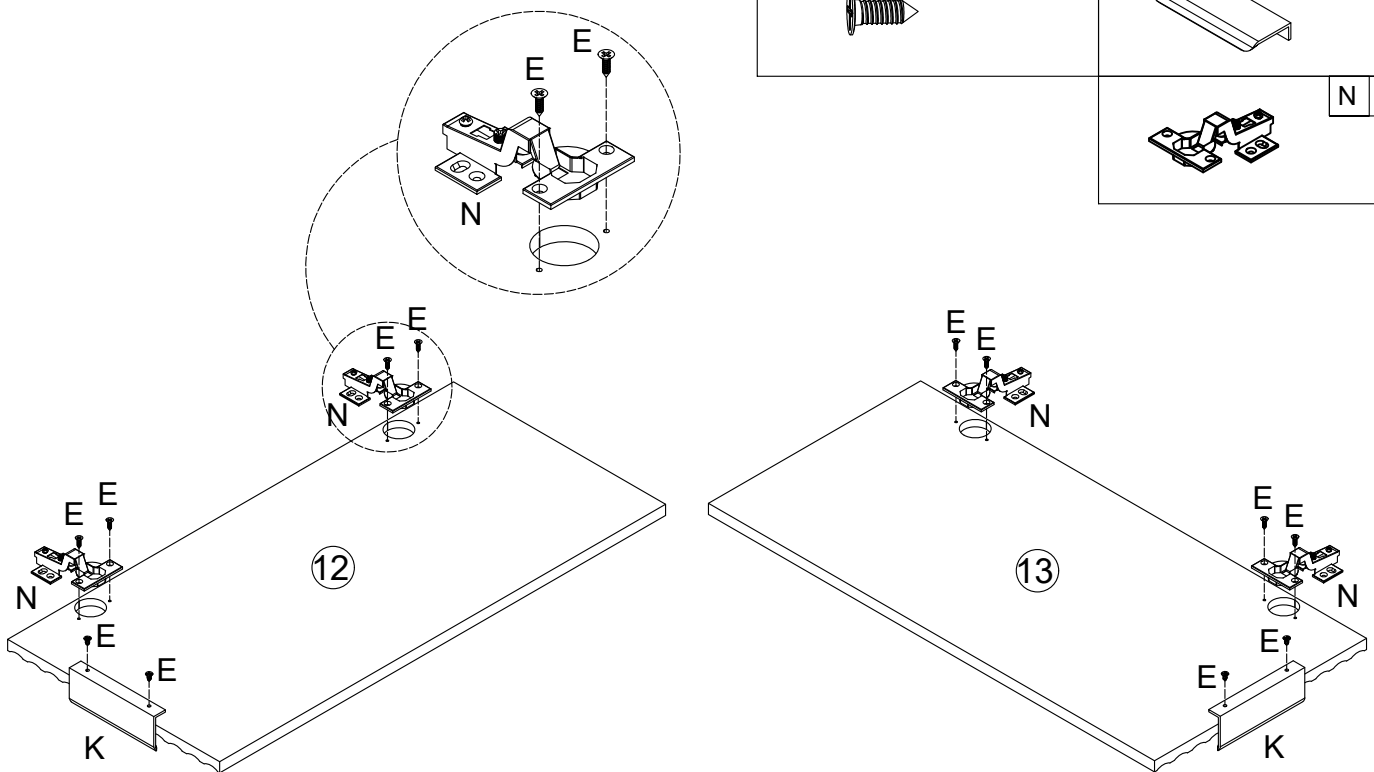
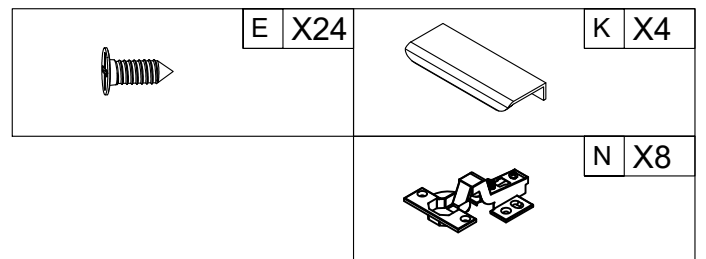


18.



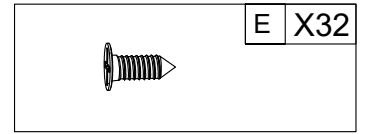
Using Cover-up Sticker (O)*36 to cover the exposed part of Screws.

19.

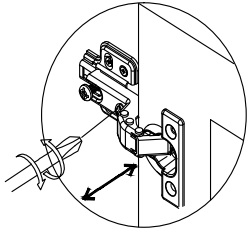


X2

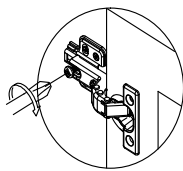
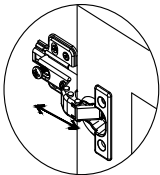
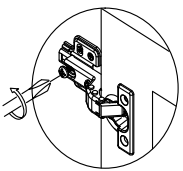
20.



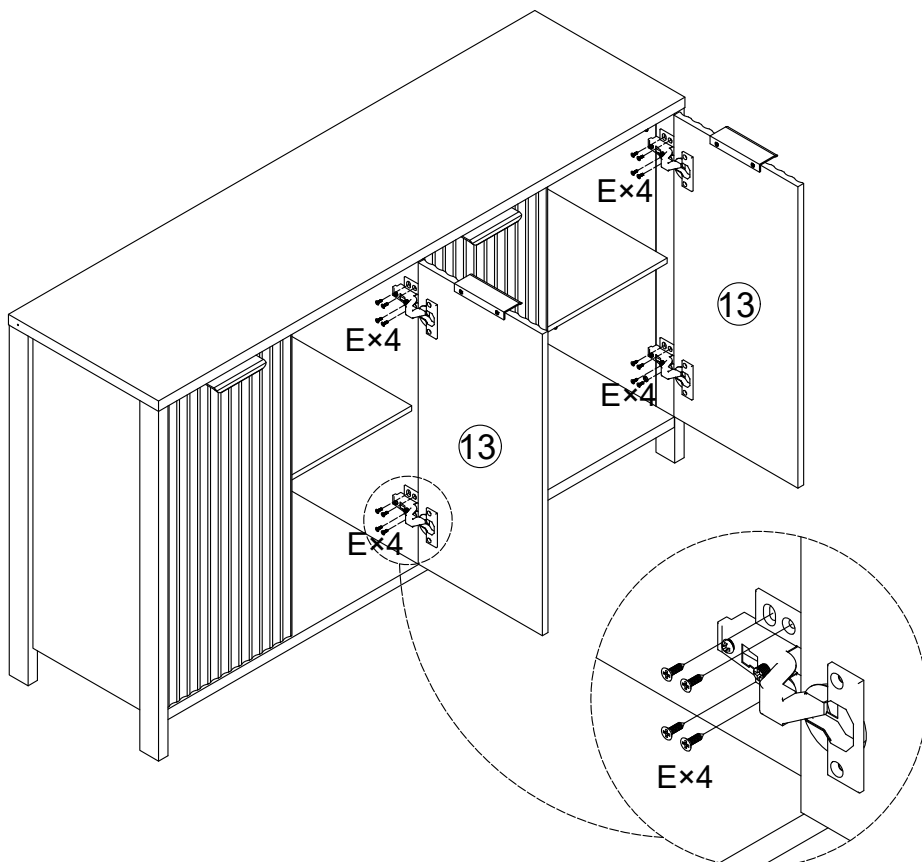
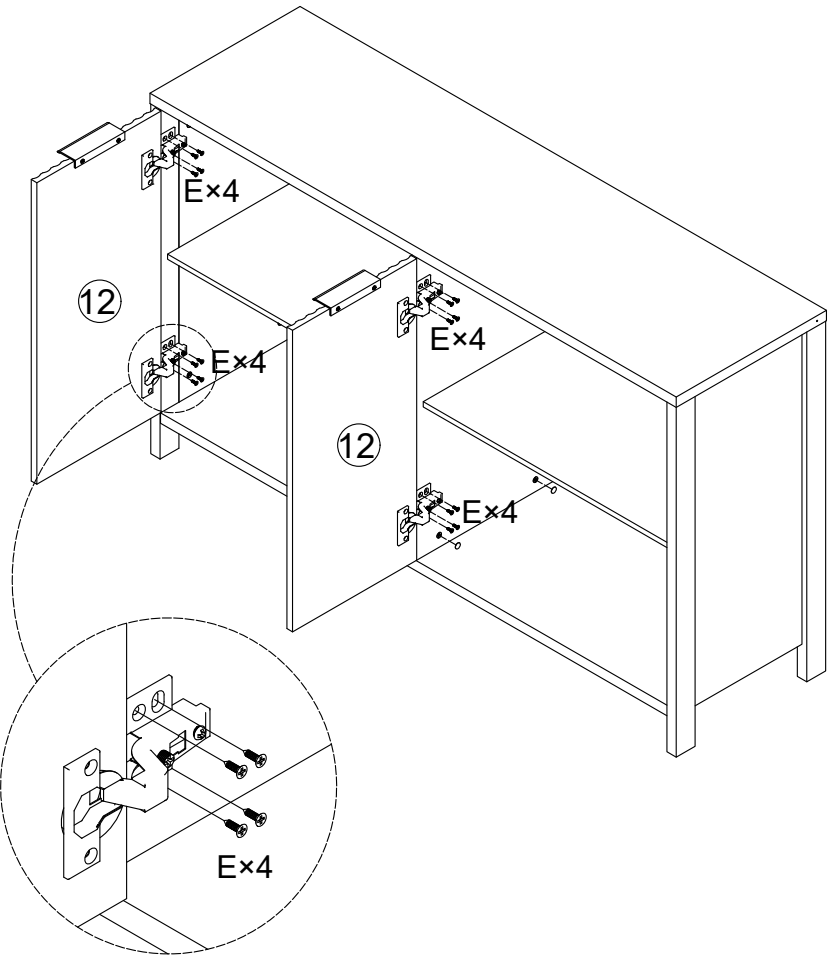
If the door can't close, please adjust the hinges.






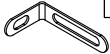
This is used to adjust the door panel in the up and down direction.

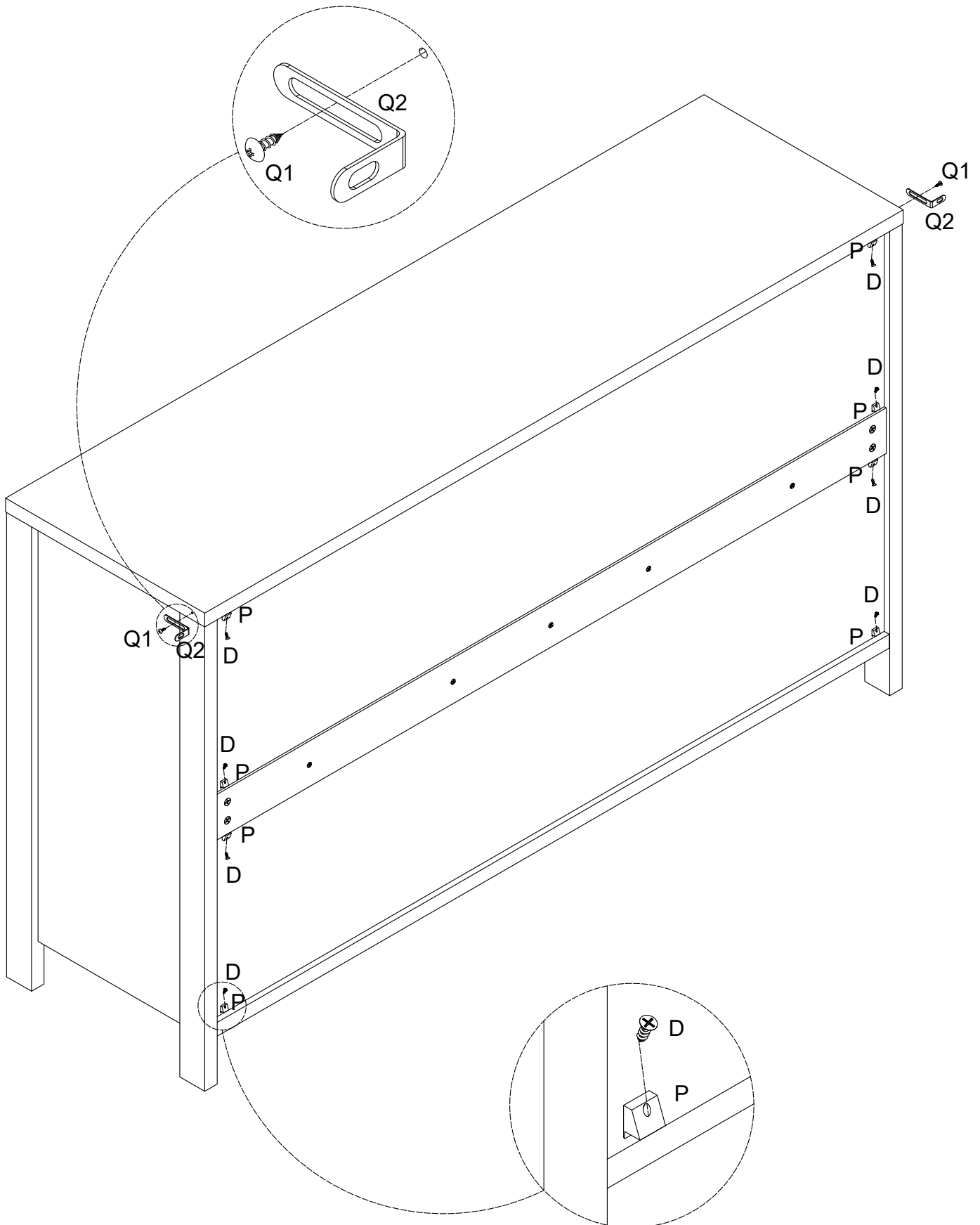


This is used to adjust the door panel in the front and back direction: Loosen the screw first, and then tighten screw after adjusting the door panel to the proper position.





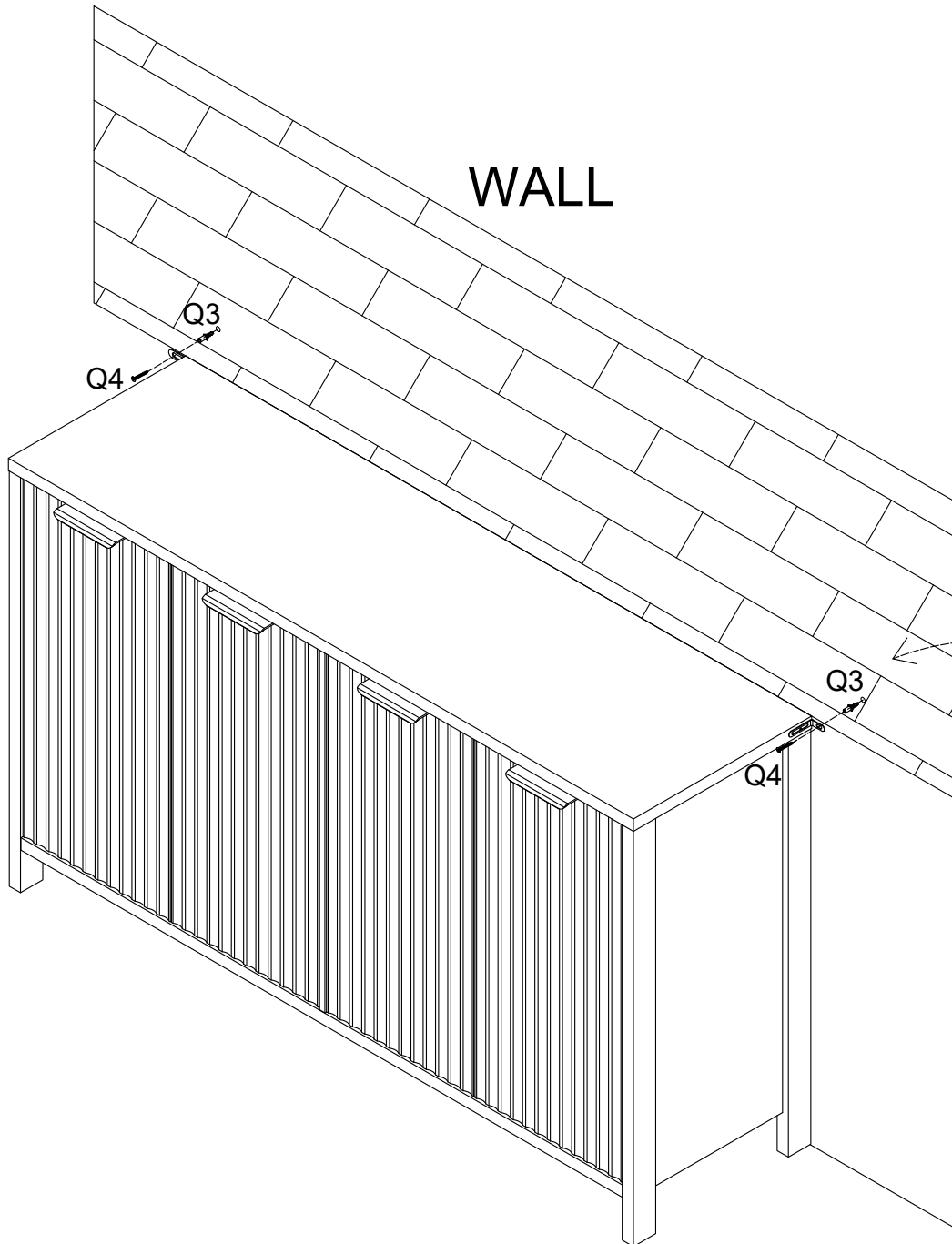
21.

	D X8		P X8
			
		Q1	Q2



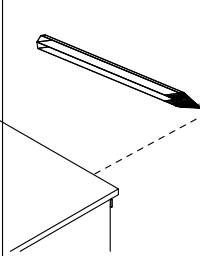
22.

		Q	X2
Q3	Q4		



WALL

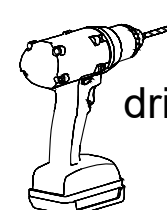
I



WALL
+

drilling hole

II



WALL

Q3

III

