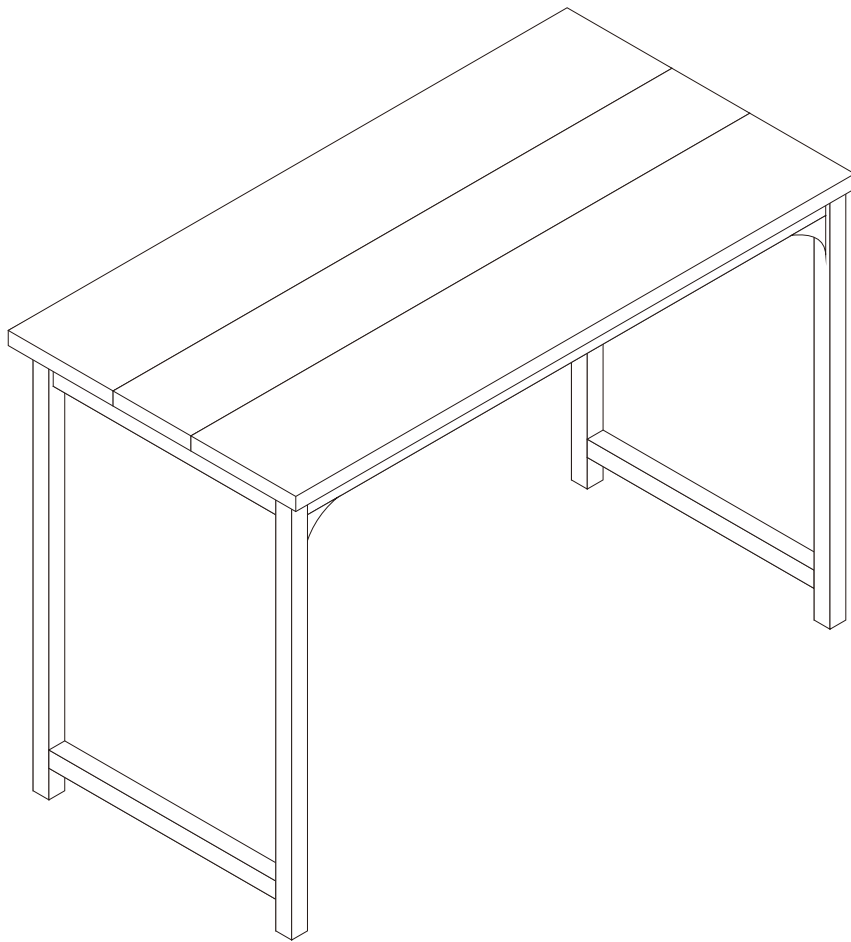


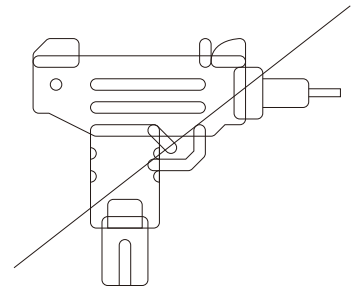
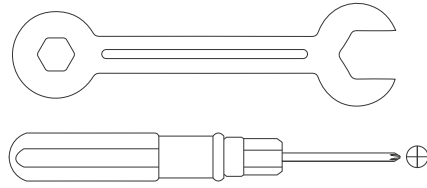
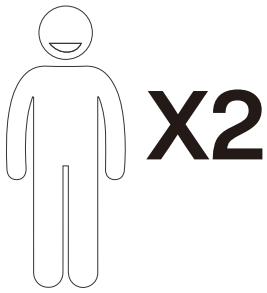
# Assembly Instructions



Your satisfaction is our top priority. If you encounter any issues with this product, such as missing or damaged parts, we're here to help. Please retain the original packaging and take photos of the packaging and the product, then contact us as soon as possible.

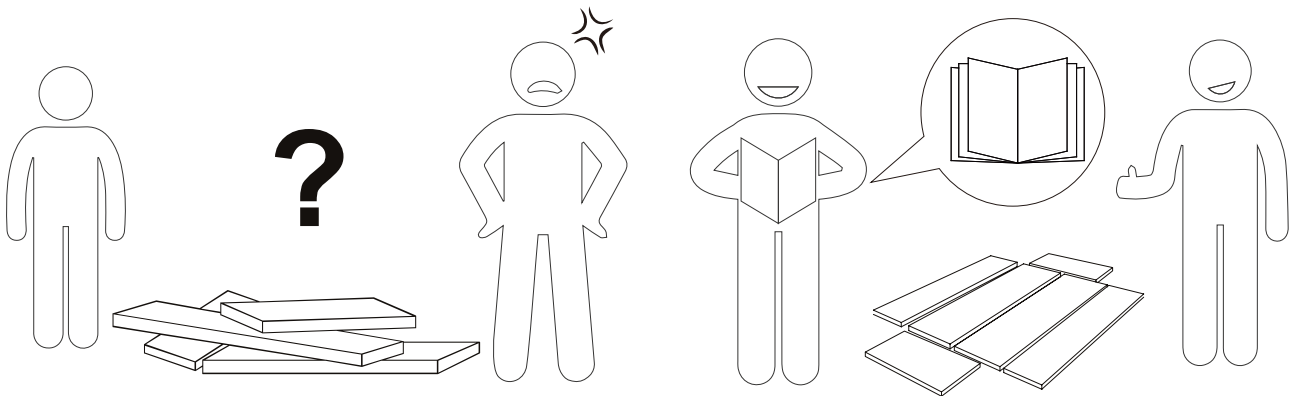
## **Warm Tips**

1. Carefully read these instructions and keep them for future reference.
2. Check the parts list and confirm everything's there before starting assembly.
3. When assembling, put all parts on a soft, smooth surface like a carpet to avoid scratches.
4. Don't fully tighten screws until all parts are confirmed in place to avoid misalignment.



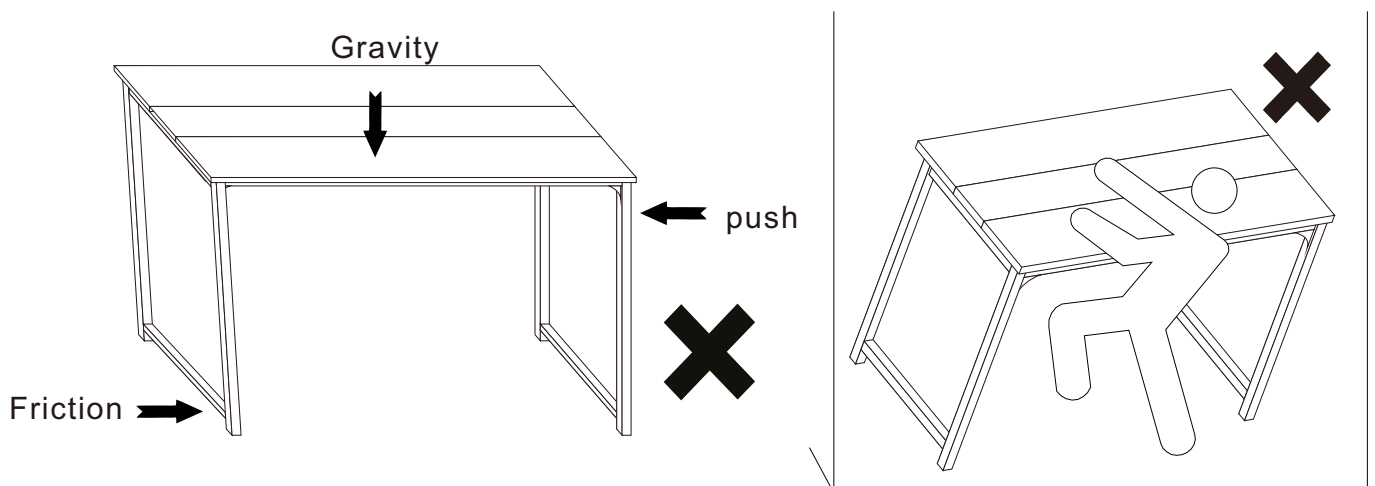
We recommend using hand tools for assembly.

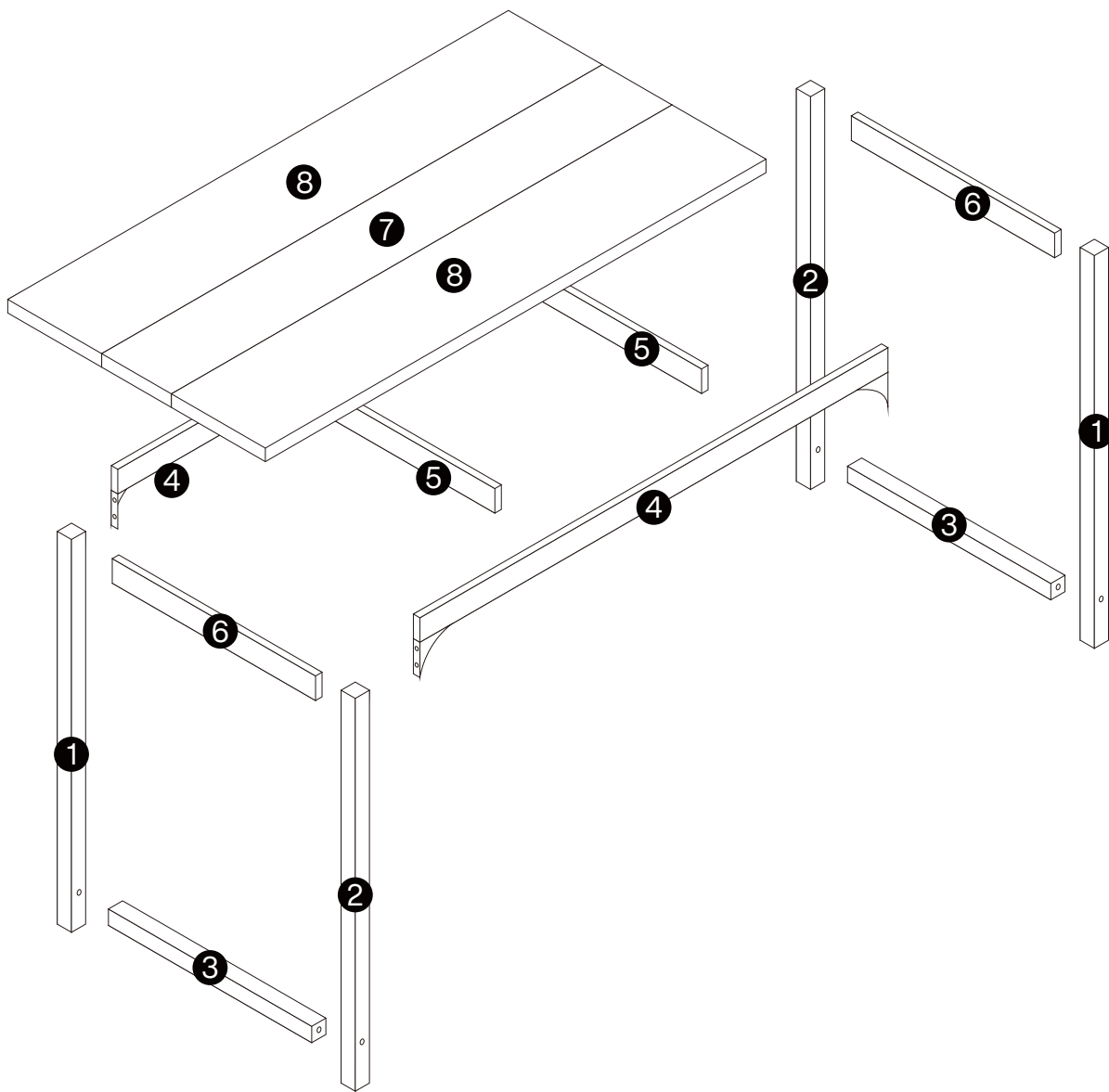
If an electric screwdriver is used, reduce power and torque to avoid damage to the product.



## Install the Anti-Tip Straps

Using the anti-tip straps can reduce the risk of tipping over, but can not eliminate it.



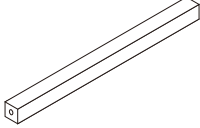
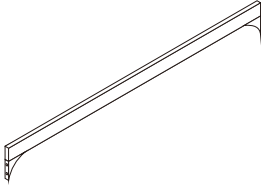
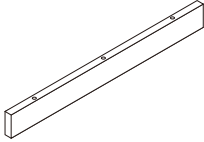
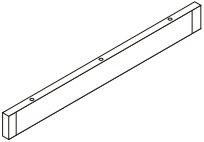
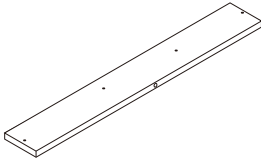
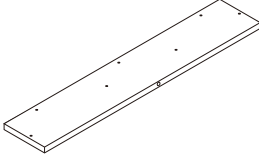






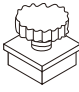
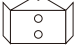





**⚠ Caution**

Make sure all parts are included. Most board parts are labeled or stamped on the raw edge. Contact us for a free replacement if you encounter any damaged or missing parts.

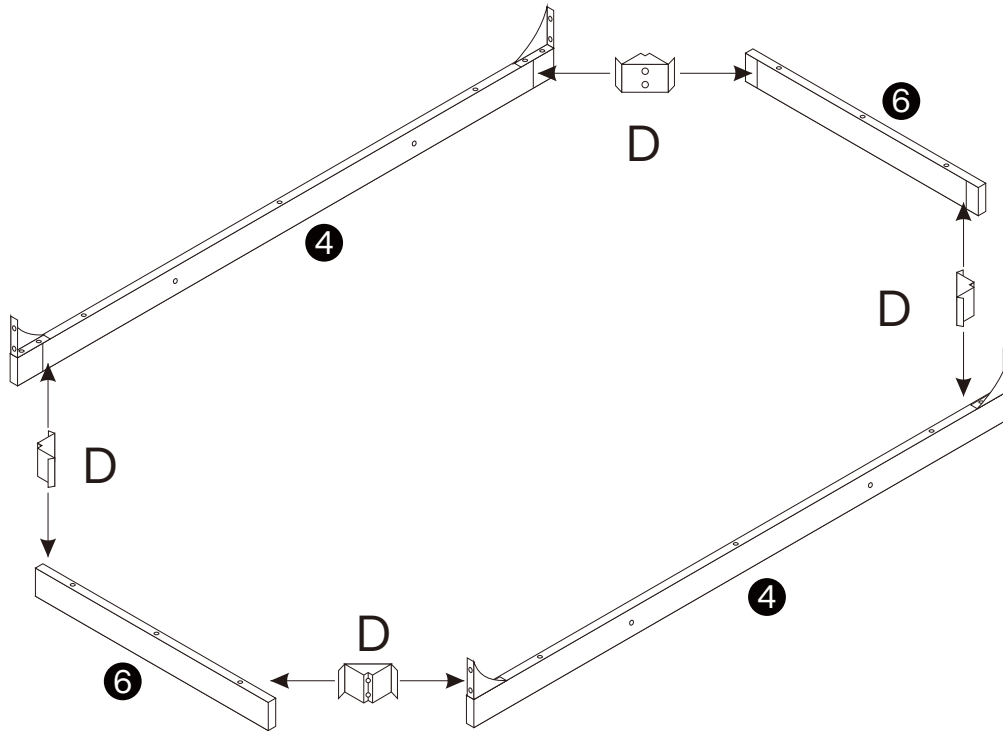
## Parts List

				
① 2 pcs	② 2 pcs	③ 2 pcs	④ 2 pcs	⑤ 2 pcs
				
⑥ 2 pcs	⑦ 1 pc	⑧ 2 pcs		

## Hardware List

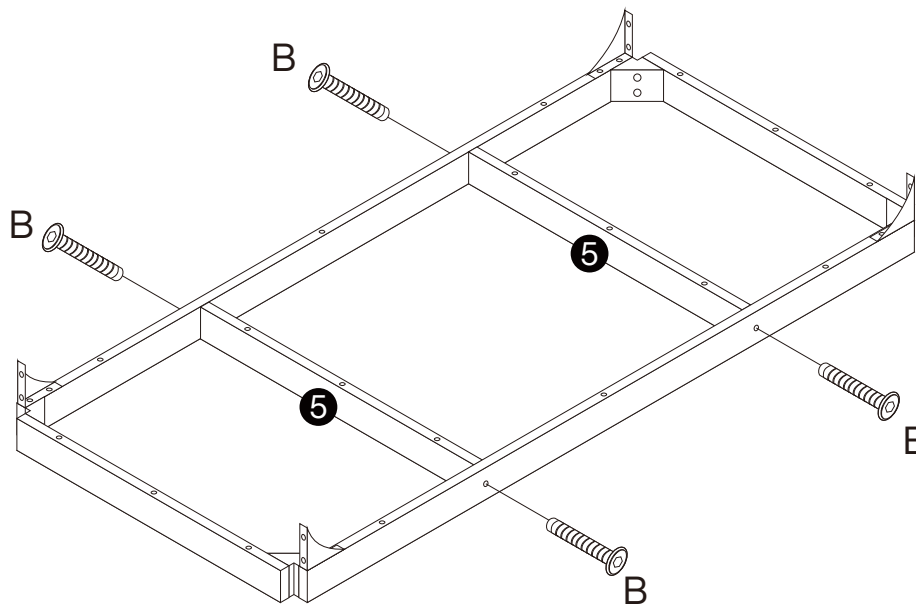
						
8x70mm A 4 pcs	8x40mm B 12 pcs	C 4 pcs	D 4 pcs	8x20mm E 8 pcs	F 2 pcs	6x60mm G 18 pcs
						
H 1 pc	I 1 pc					

1



D  
4 pcs

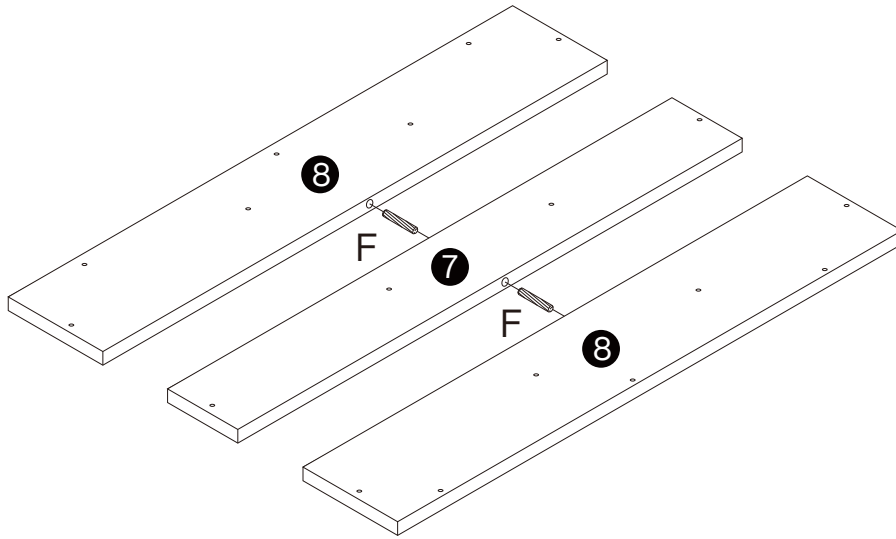
2



B  
4 pcs

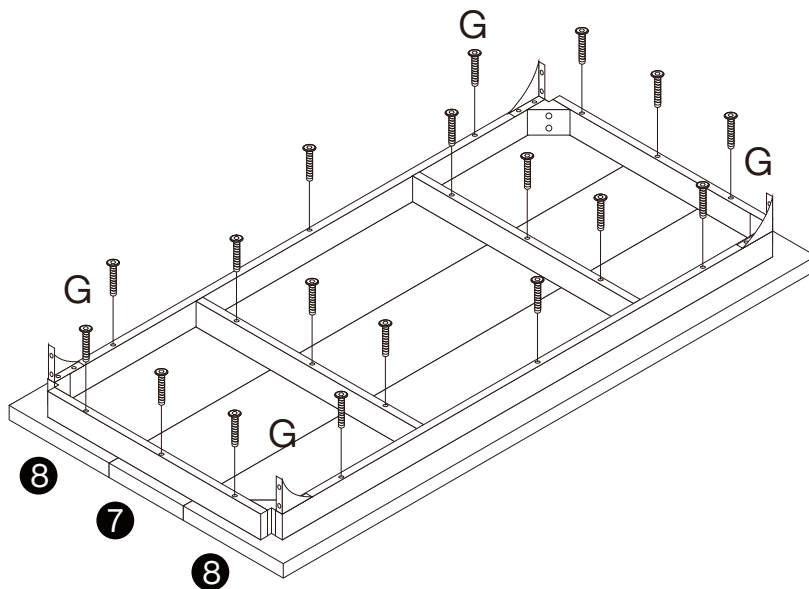
Friendly Tips: Do not fully tighten all screws until assembly is completed.

3



F  
2 pcs

4



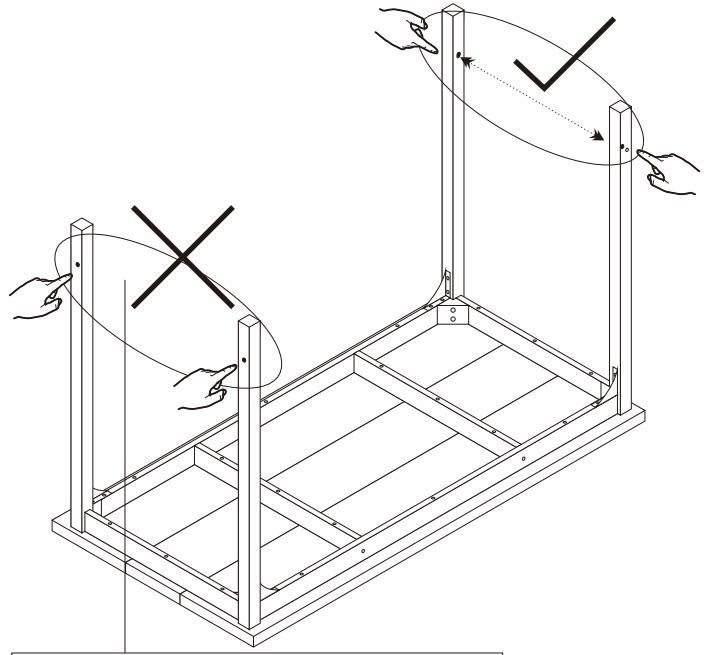
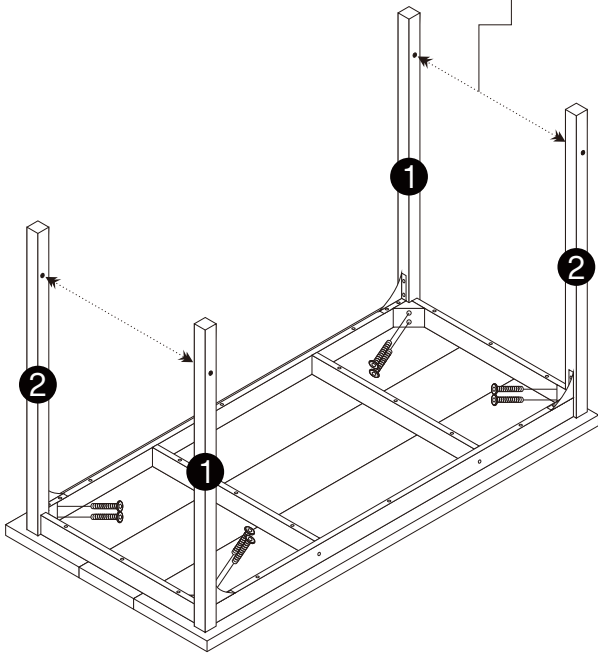
Friendly Tips: The screws used to connect the desktop to the steel frame only need to be tightened to the bottom of the screws and rotated once!



G  
18 pcs

5

Pay attention to the direction of the hole

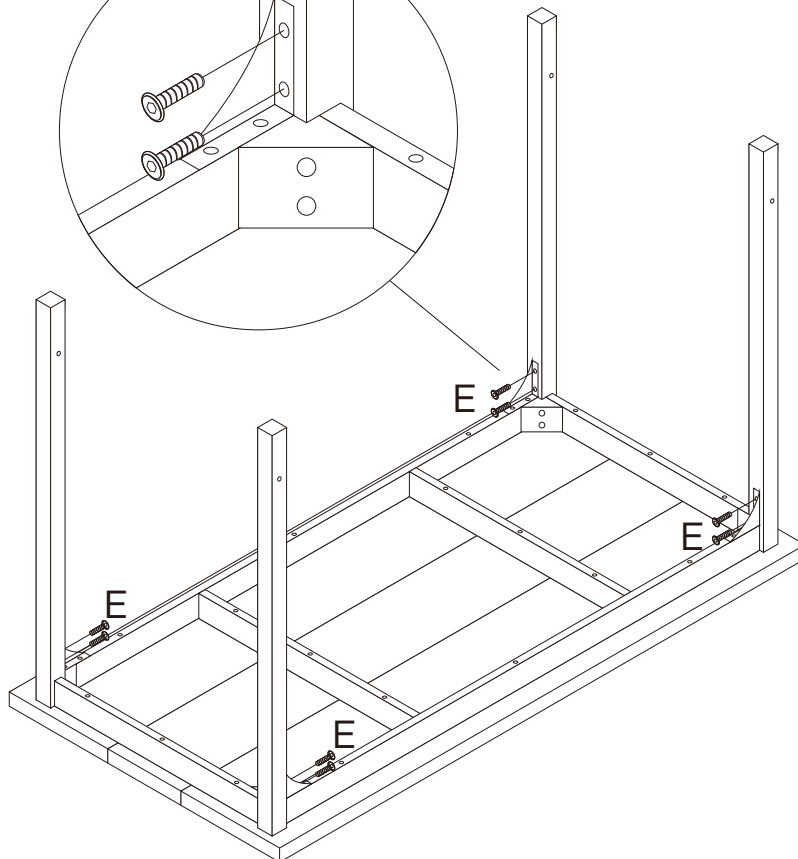
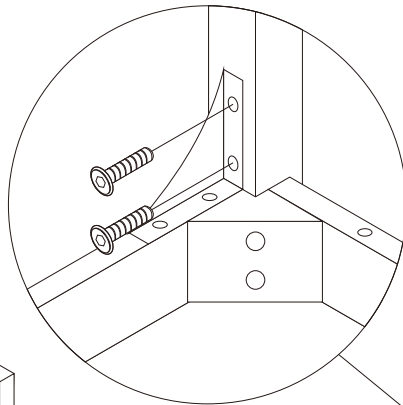


If this happens, just switch the two steel legs left and right to install it.



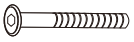
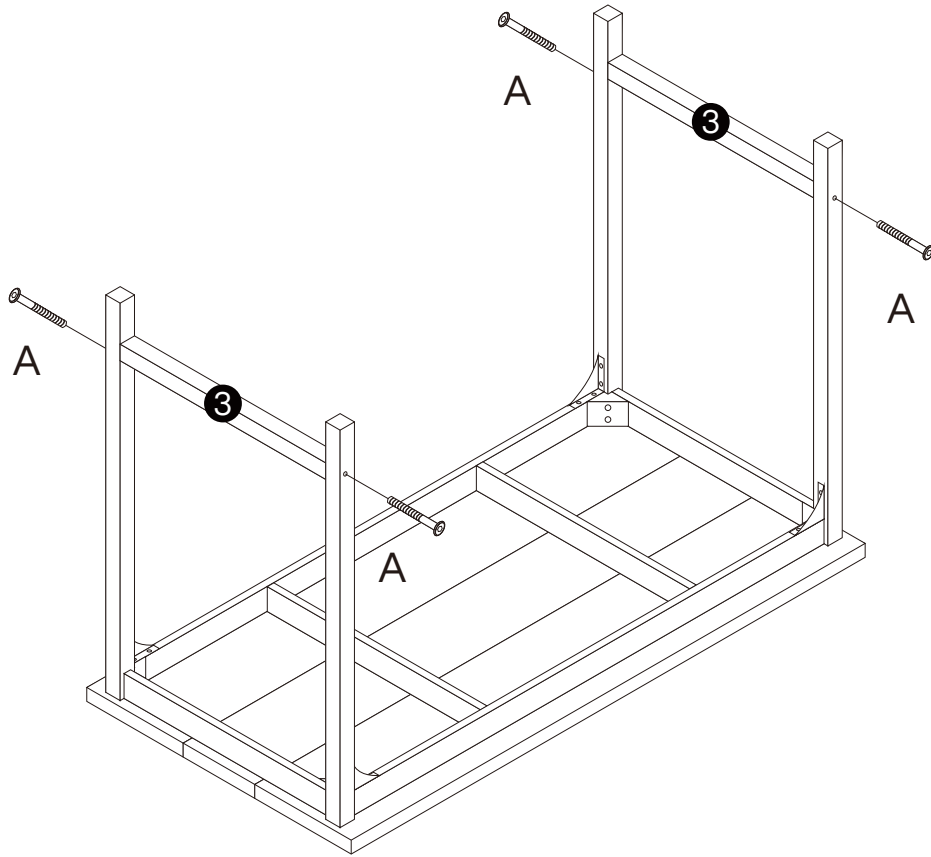
B  
8 pcs

6



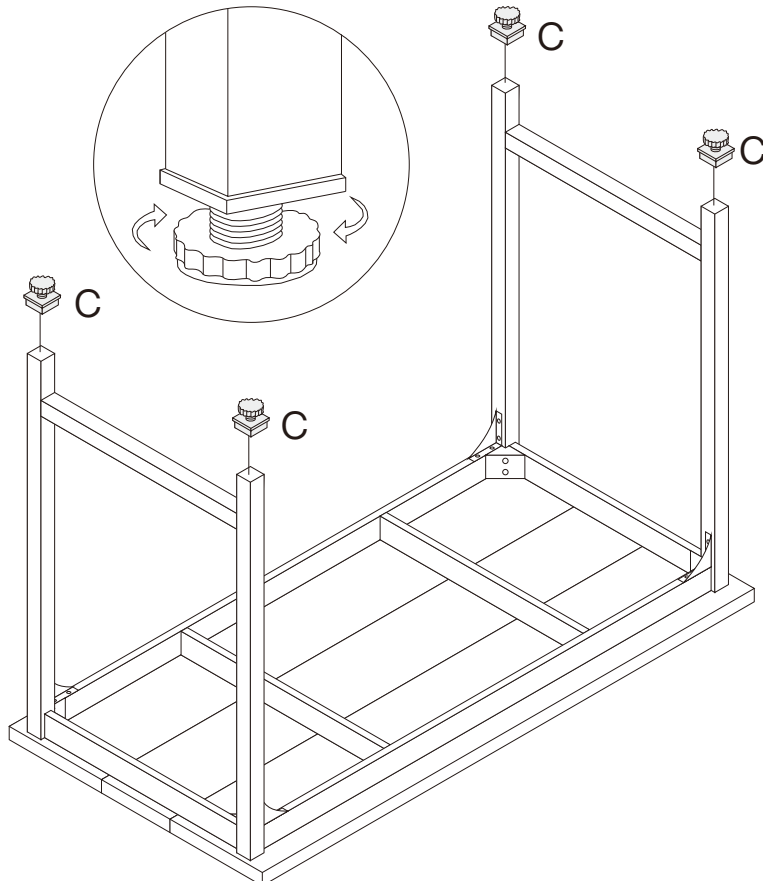
E  
8 pcs

7



A  
4 pcs

8



C  
4 pcs

**Thank you for your support!**

