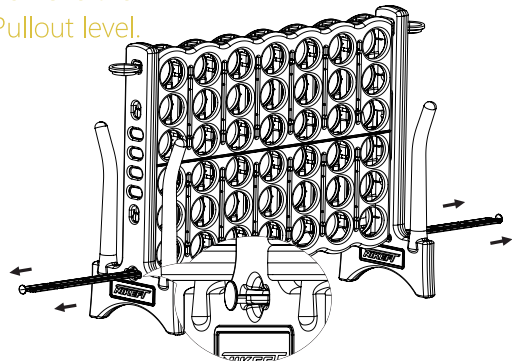


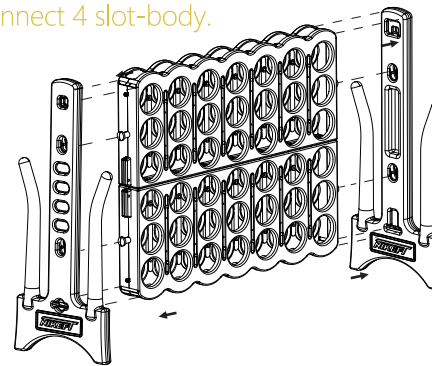
GIANT 4-IN-A-ROW

DISASSEMBLY & PACKING INSTRUCTIONS

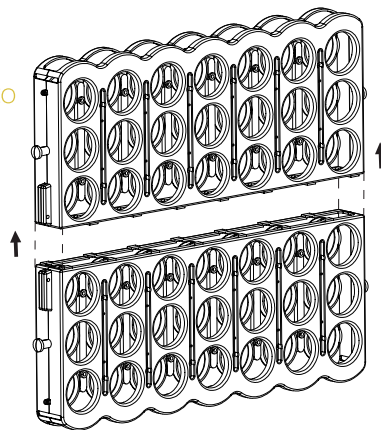
Step 1:
Remove the
Pullout level.



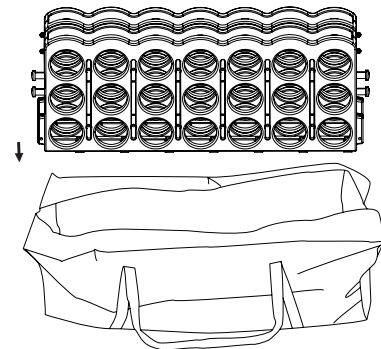
Step 2:
Remove sides and disassemble the main
connect 4 slot-body.



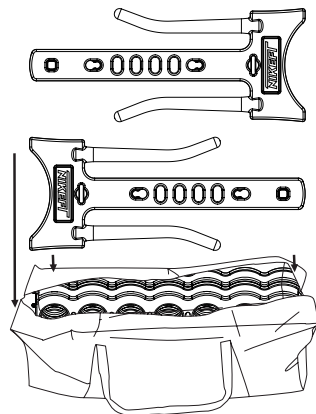
Step 3:
Pull out the
main body into
two parts.



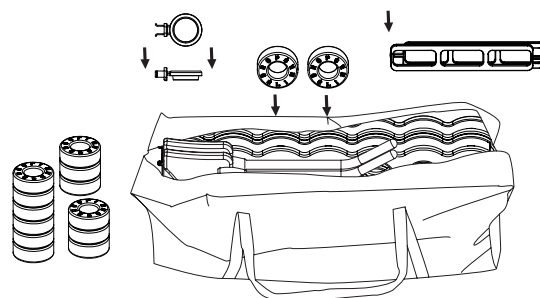
Step 4:
Put the halved main body of the game into
the bag.



Step 5:
Place the side
legs of the game
into the bag.
Place one behind
the main body
of the game and
one in front of the
main body of the
game, facing the
other direction.



Step 6:
Fill the slots of the main body with the rings.
Put pullout lever into the bag.



WARNING: Assembly, main-
tenance or dismantling
must be undertaken by
an adult. Use for intended
purpose only.

VISIT US AT

sunnyfeng03@outlook.com

We want you to be 100%
satisfied with your purchase.

If for any reason, your
experience does not meet
your expectations, please
reach out to us and we' ll be
happy to resolve any issues!

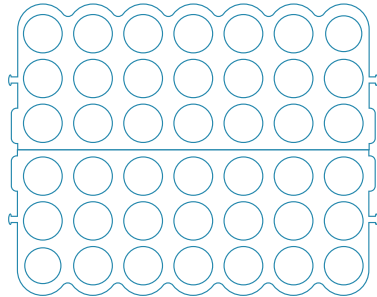
Your feedback helps us build
better products and offer
better service.

Please email or call us at:
sunnyfeng03@outlook.com

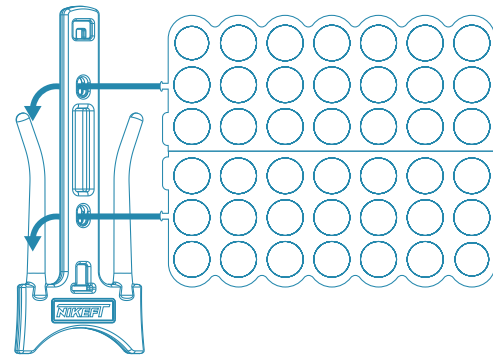
GIANT 4-IN-A-ROW

ASSEMBLY INSTRUCTIONS

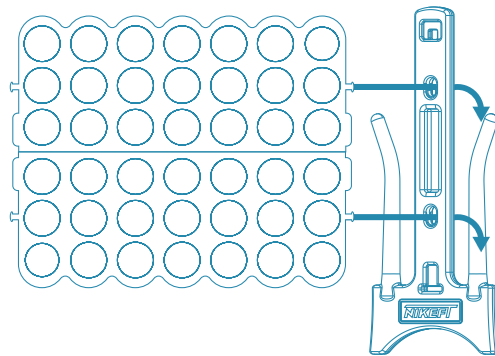
Step 1:
Bring body pieces together in a stand-
ing position



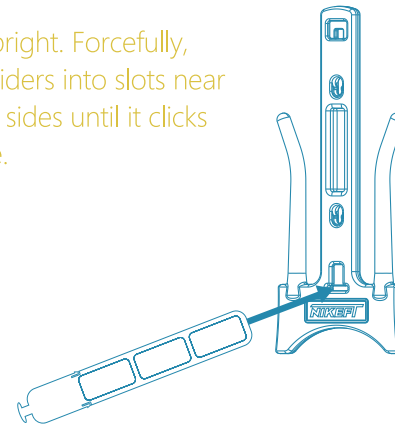
Step 2:
Connect one side by sliding into place.



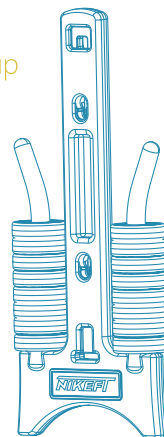
Step 3:
Flip over, repeat with other side.



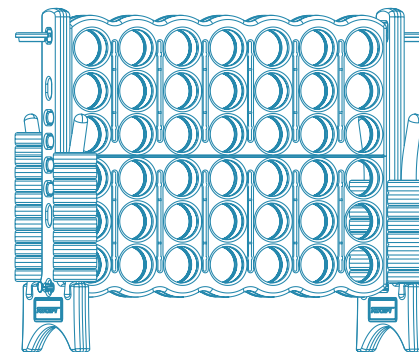
Step 4:
Turn upright. Forcefully,
insert sliders into slots near
base of sides until it clicks
in place.



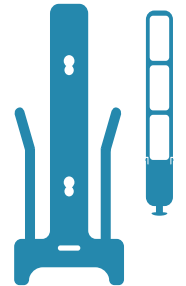
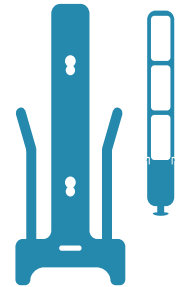
Step 5:
Put donuts on pegs, and cup
holder into side hole..





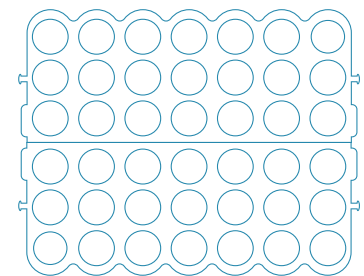
Step 6:
Beat all your friends.



PARTS INCLUDED:



 x21  x21
extra bonus +2 separately



WARNING: Assembly, main
tenance or dismantling
must be undertaken by
an adult. Use for intended
purpose only.

NIKEFT
THE GIANT LAND OF PLAY