





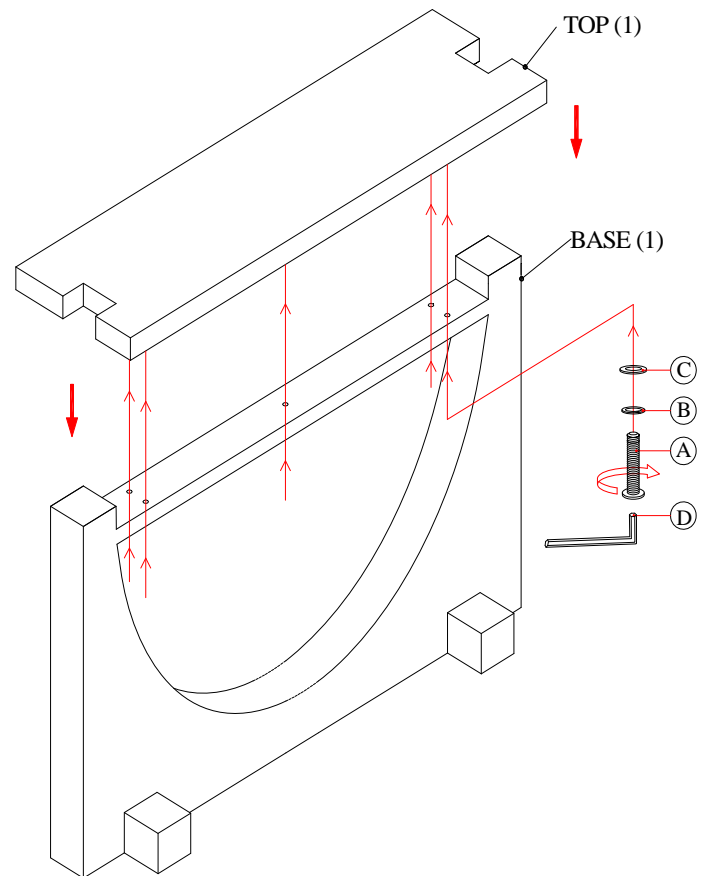
ARTISTICA®

— HOME —

ASSEMBLY INSTRUCTIONS

2060-966 Impresario Console

PART	HARDWARE LIST	QTY
A	 Bolt Ø5/16" x 1-1/4"	5 PCS
B	 Lock Washer	5 PCS
C	 Flat Washer	5 PCS
D	 Allen Wrench	1 PC



1. Place console base near desired final location. **This may require two people due to the weight.**
2. Position console top on base so that holes on top align with holes on base.
3. Use Allen Wrench (D) to assemble top to base with (5) of each: Flat Washers (C), Lock Washers (B), and Bolts (A). Fully tighten all bolts.

For additional consumer assistance, please contact your local Artistica Home dealer or our Customer Services Department at 1-336-474-5300, Monday-Friday, 8-5 Eastern.