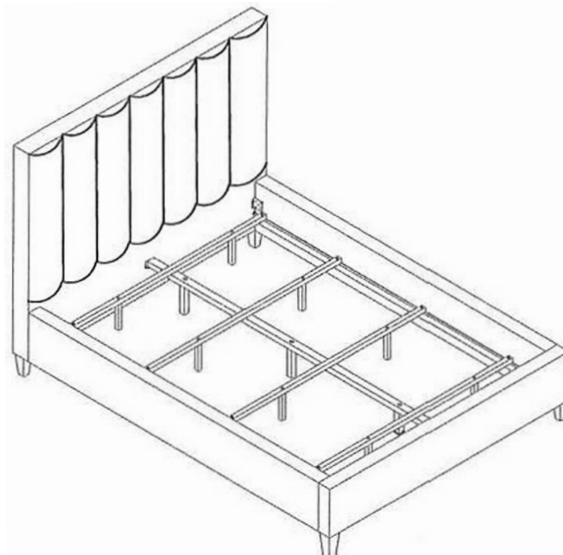


ASSEMBLY INSTRUCTIONS



TOOLS REQUIRED



Screwdriver
(Not Included)

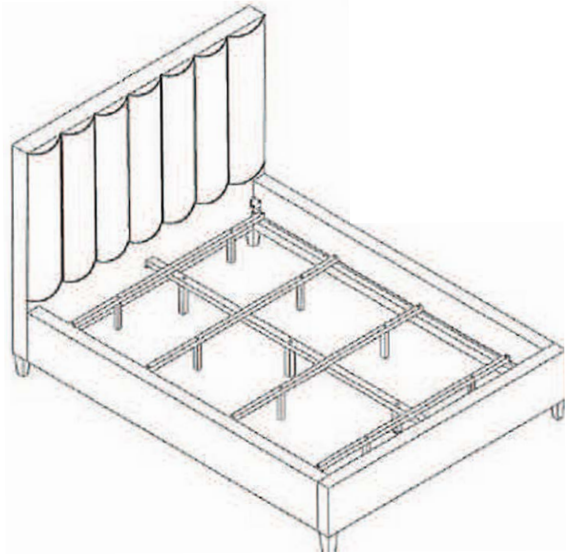


Allen Wrench
(Included)

Enjoying this product? We'd love your 5-star review!

If you have any issues, our support team are happy to help

Thank you for your purchase!



CHECK BEFORE STARTING

Are you missing anything?

Please double check all hardware and parts match the assembly guide before putting the product together. If damaged, we suggest you put the item back in the box and start your claim or return

Should we send any replacements?

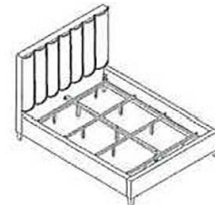
If there are any manufacturer defects or missing pieces please contact us for replacements. If purchased online, please contact the website of where you purchased it from, DIRECTLY

IMPORTANT INFO before assembly:

- Place all parts on a clean and smooth surface such as a rug/carpet to avoid parts from being scratched
- When tightening screws to product do not overtighten until product is fully setup
- If product is too heavy for a single person to carry please ask for assistance
- DO NOT DRAG or PUSH item to desired location. Must be carried when moving
- If item is not working as intended please review the assembly guide to see if any steps were missed or incorrectly built. If there's a problem with part please contact seller for additional assistance
- Please keep all hardware and small parts away from pets/infants
- Please wear gloves or protective gear to protect from getting cuts
- It is normal for new furniture to have an off gassing smell. Please air out furniture near a window for a few hours or a day before placing it in its desired location
- All products may have a slight color and texture variation due to different shipments, natural materials, screen-resolutions, or lighting in home. Images are rendered by different devices or websites

CKing Bed

- Please keep instructions for future reference
- Check the quantity and irregularity of parts and hardware before you start
- If assembly guide is misplaced, please visit our website for copy



Part List

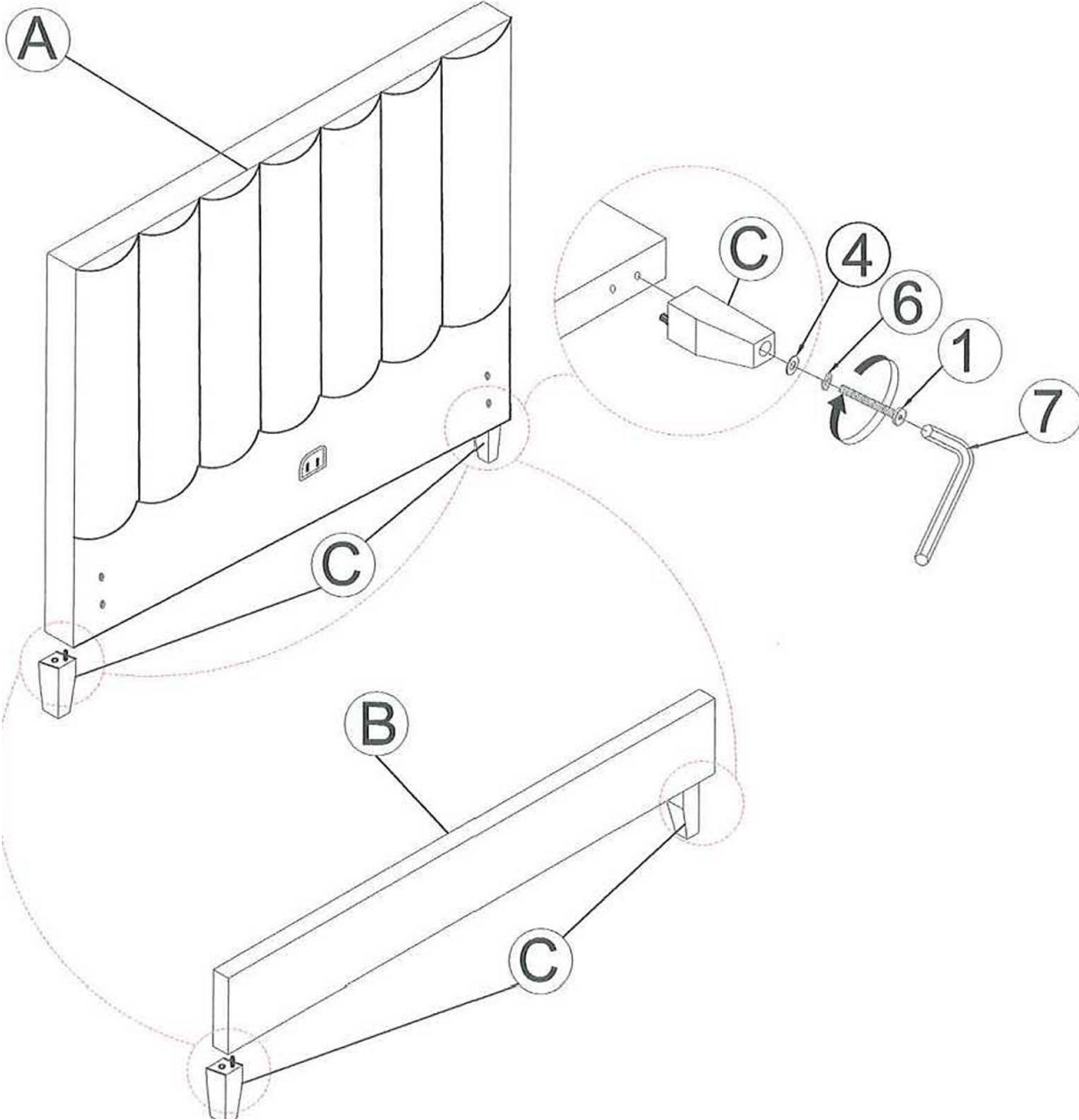
A HEADBOARD PANEL	1PC	B FOOTBOARD PANEL	1PC
C FOOTBOARD LEG	4PCS	D BED RAIL	2PCS
E CENTER RAIL	1PC	F CENTER RAIL SUPPORT WITH LEVELER (190x30x30mm)	8 PCS
G SLATS	4 PCS	H CENTER RAIL SUPPORT WITH LEVELER (165x30x30mm)	3 PCS

Hardware List

1 THREAD BOLT (Ø5/16" x 100mm - RBW)	4PCS	2 THREAD BOLT (Ø5/16" x 65mm - RBW)	4PCS
3 THREAD BOLT (Ø5/16" x 40mm - RBW)	15PCS	4 FLAT WASHER (Ø5/16"x 19mm - RBW)	27PCS
5 FLAT HEAD SCREW (M4 x 38mm - RBW)	8PCS	6 LOCK WASHER: (Ø5/16" - RBW)	12PCS
7 ALLEN WRENCH (5mm - RBW)	1PC	8 FLAT HEAD SCREW (M4 x 25mm - RBW)	4PCS
9 WRENCH (M5 x 90mm)	1PC	10 HEX NUT (Ø5/16" x 12 x 5mm)	4PCS

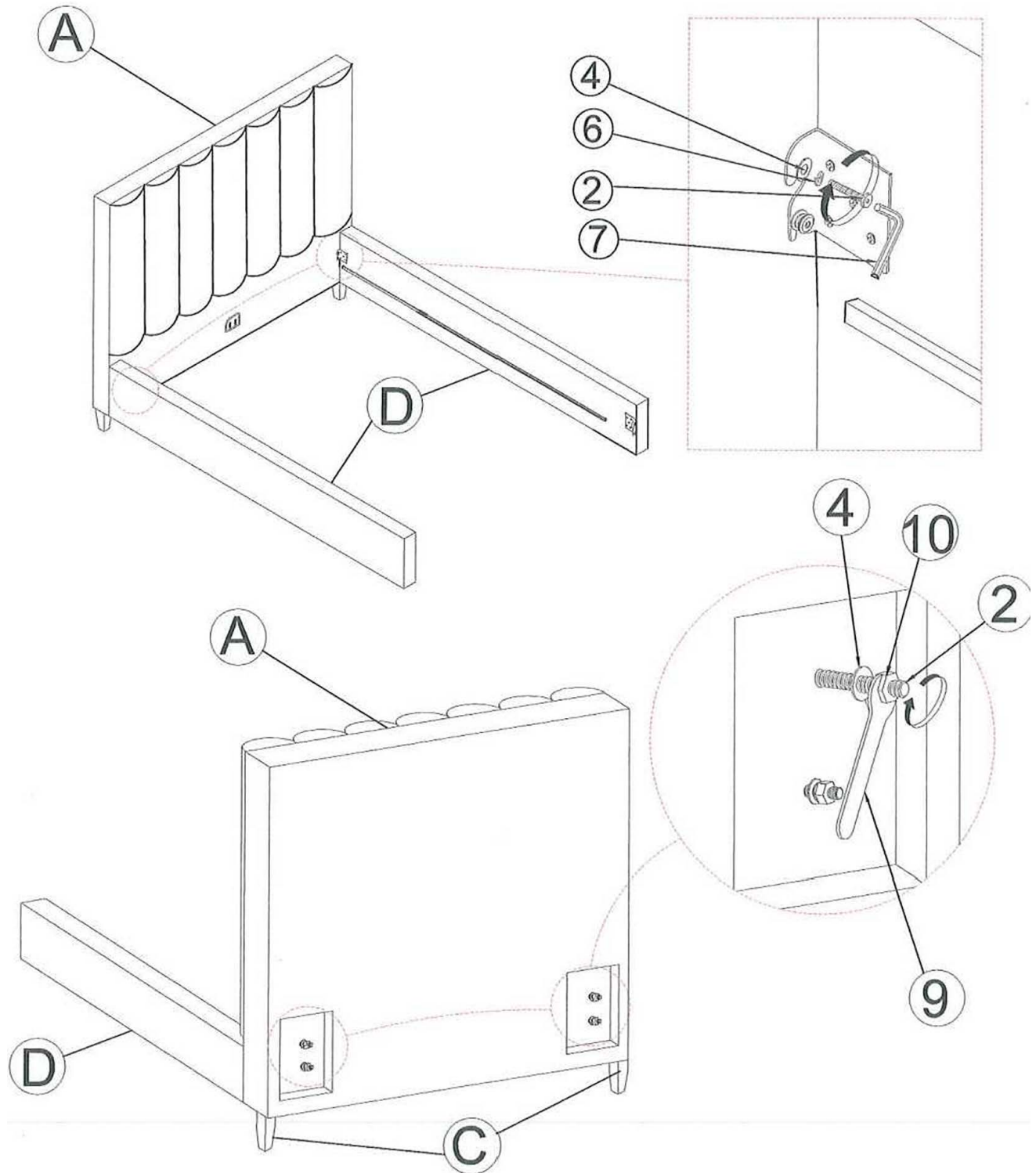
ASSEMBLY INSTRUCTIONS

STEP 1



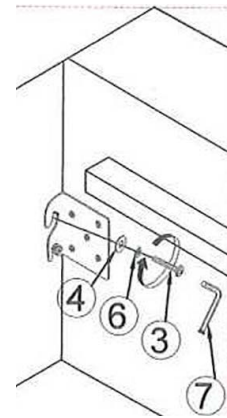
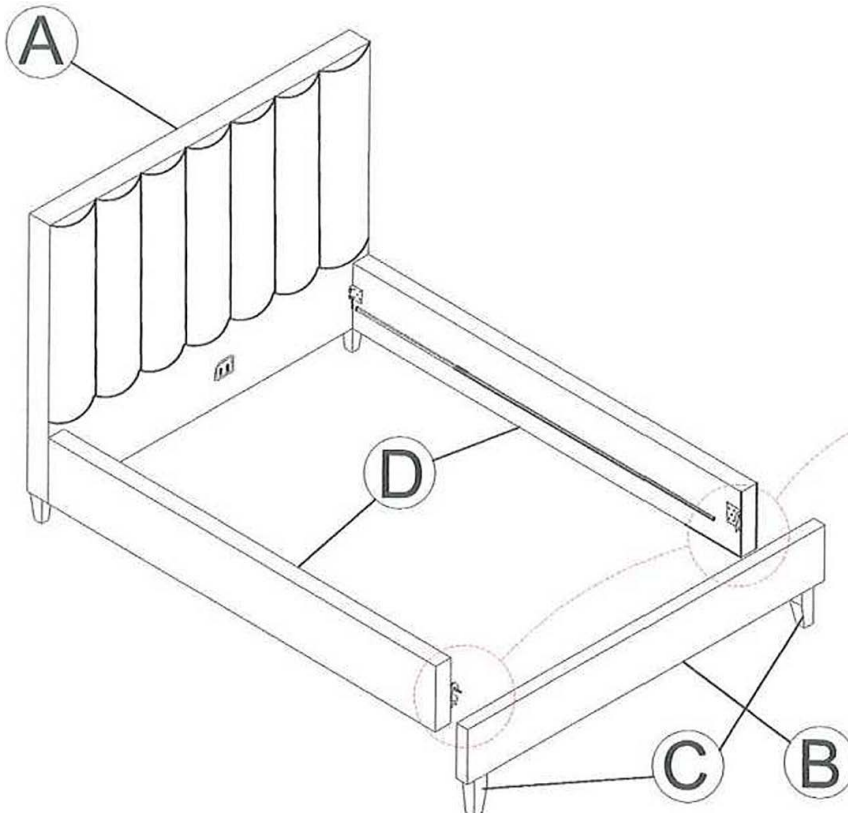
ASSEMBLY INSTRUCTION

STEP 2

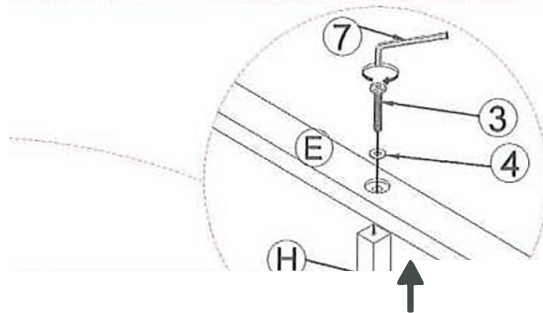
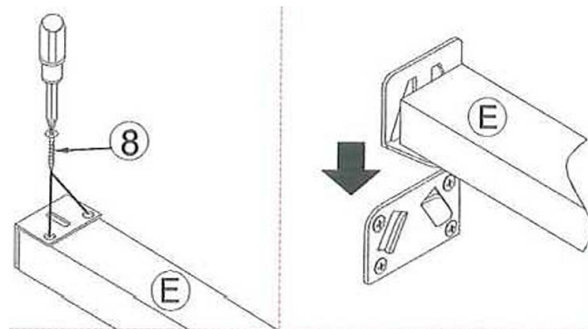
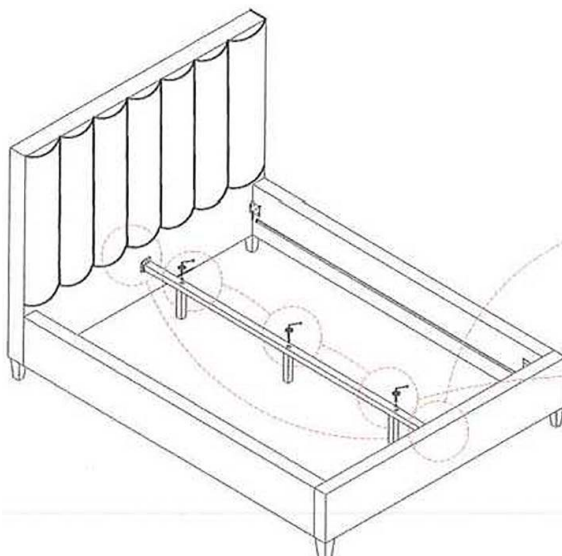


ASSEMBLY INSTRUCTION

STEP 3

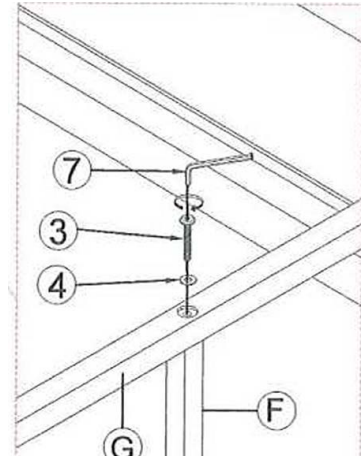
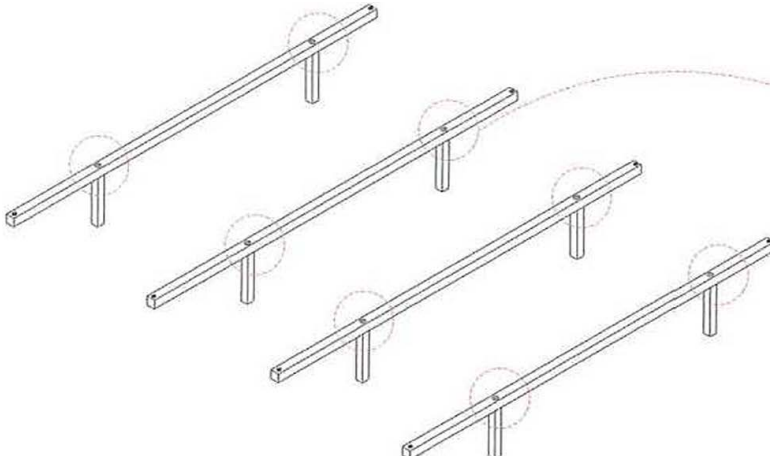


STEP 4

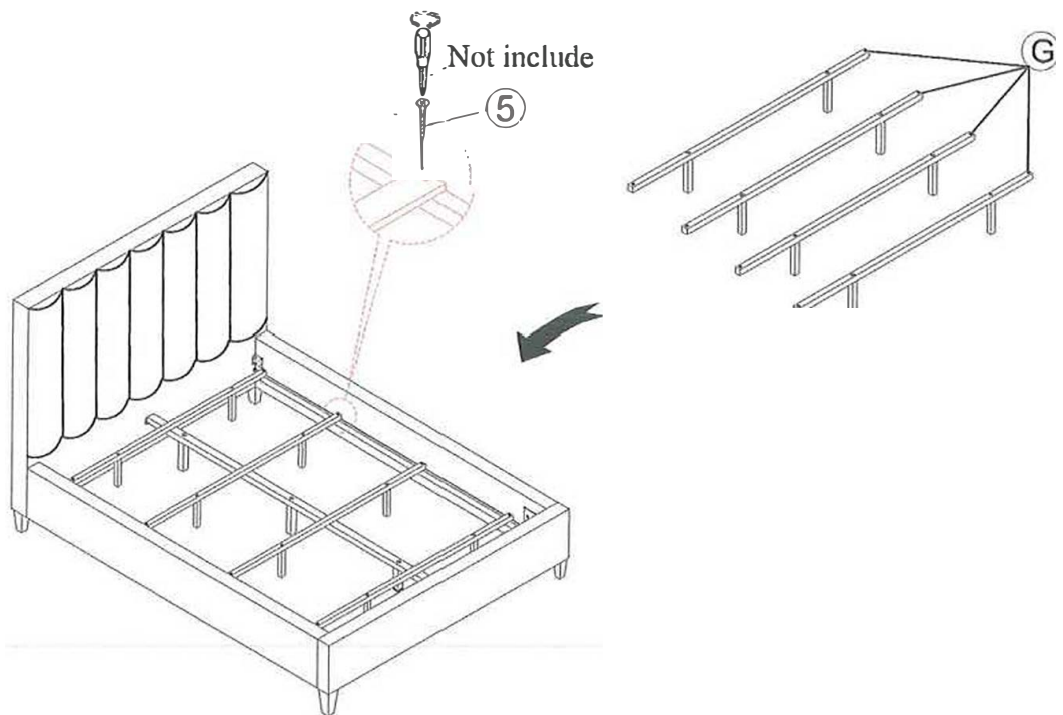


ASSEMBLY INSTRUCTION

STEP 5



STEP 6



ASSEMBLY INSTRUCTIONS

Completed

