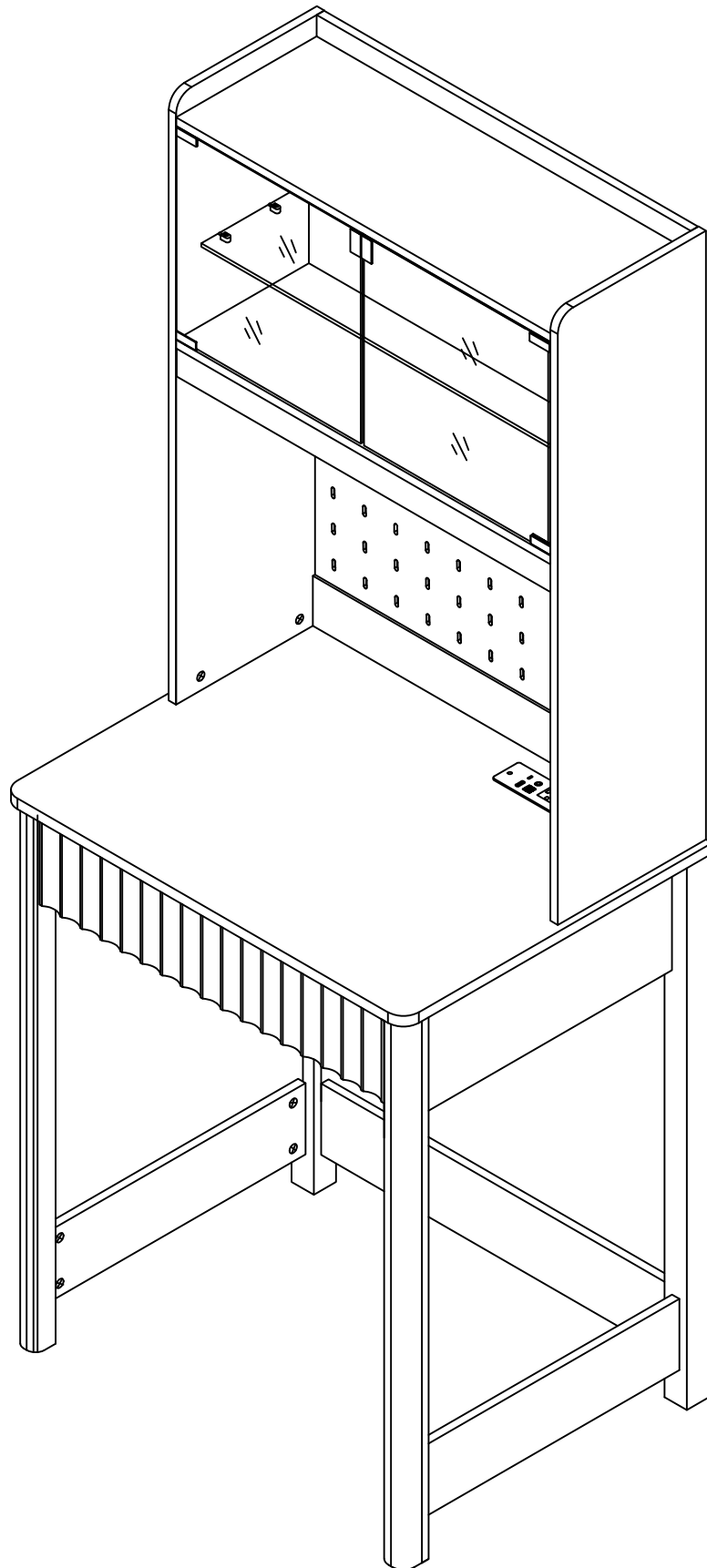
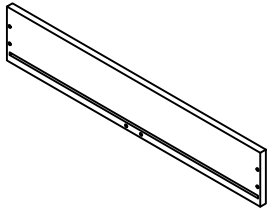
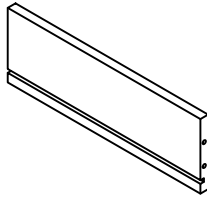


# Product Installation Instructions

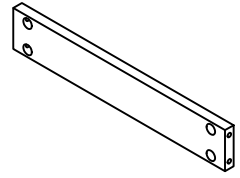




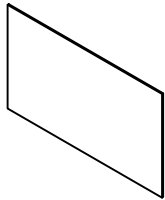
1x1



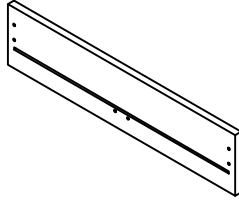
2x2



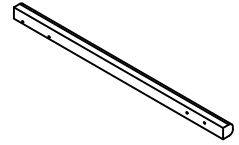
3x1



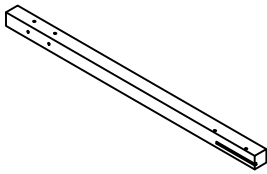
4x1



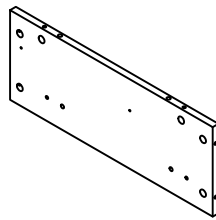
5x1



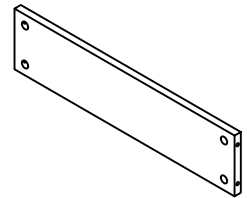
6x1



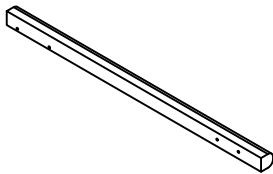
7x1



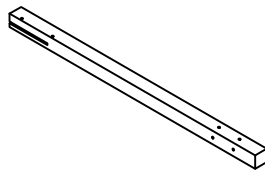
8x1



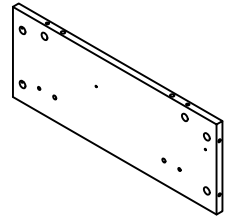
9x2



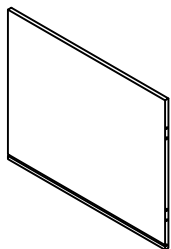
10x1



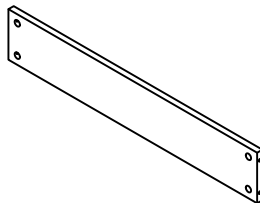
11x1



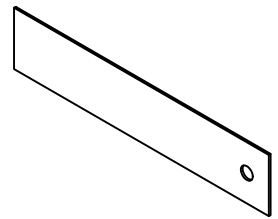
12x1



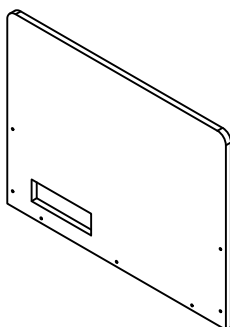
13x1



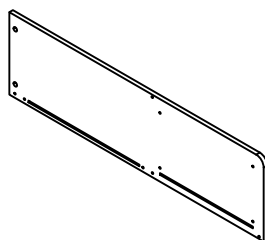
14x1



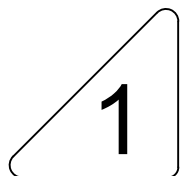
15x1



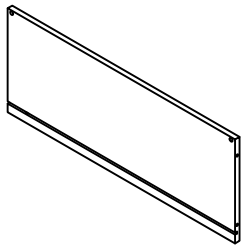
16x1



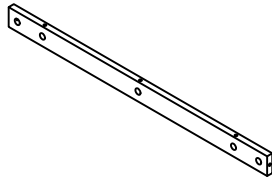
17x1



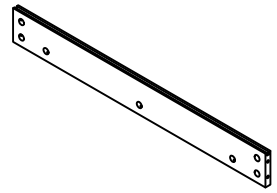
1



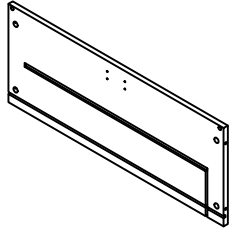
18x1



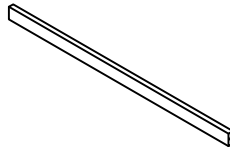
19x1



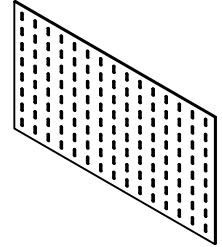
20x2



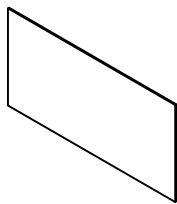
21x1



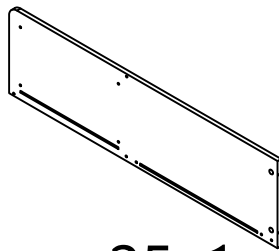
22x1



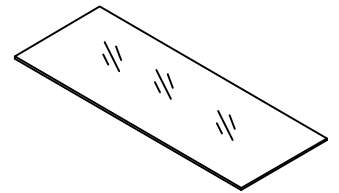
23x1



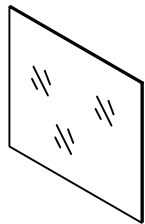
24x1



25x1

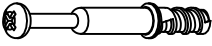

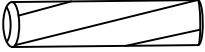
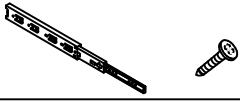
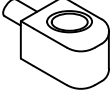
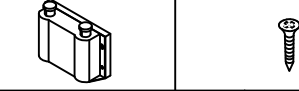



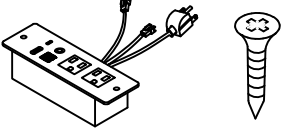


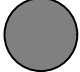


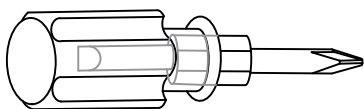
26x1



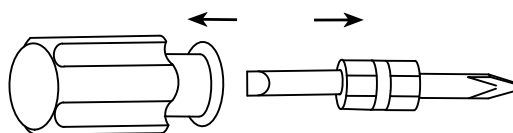
27x2

# Accessories list

A		Two In One Screw (6x28mm)	76pcs +4pcs
B		Two In One Nut (10x12mm)	76pcs +4pcs
C		Wood Chipping (6x30mm)	8pcs +2pcs
D		Screw & Guide(12inch) (3x12mm)	10pcs +2pcs 2pcs
E		Fixing clip & screw (3x16mm)	4pcs +1pcs
F		Rebound device & Screw (3x16mm)	1pcs   4pcs +1pcs
		Iron sheet & Hinge	2pcs
		Rubber ring	4pcs
G		Fixing clip & screw (3x16mm)	18pcs +2pcs
H		Power Socket & Screw (3x10mm)	2pcs +1pcs 1pcs
I		Anti inverted right angle grommet Screw(3.5x14mm)	2pcs
		Screw(4*45mm) grommet Countersunk head tapping	2pcs
J		Non-slip pads	4pcs +1pcs



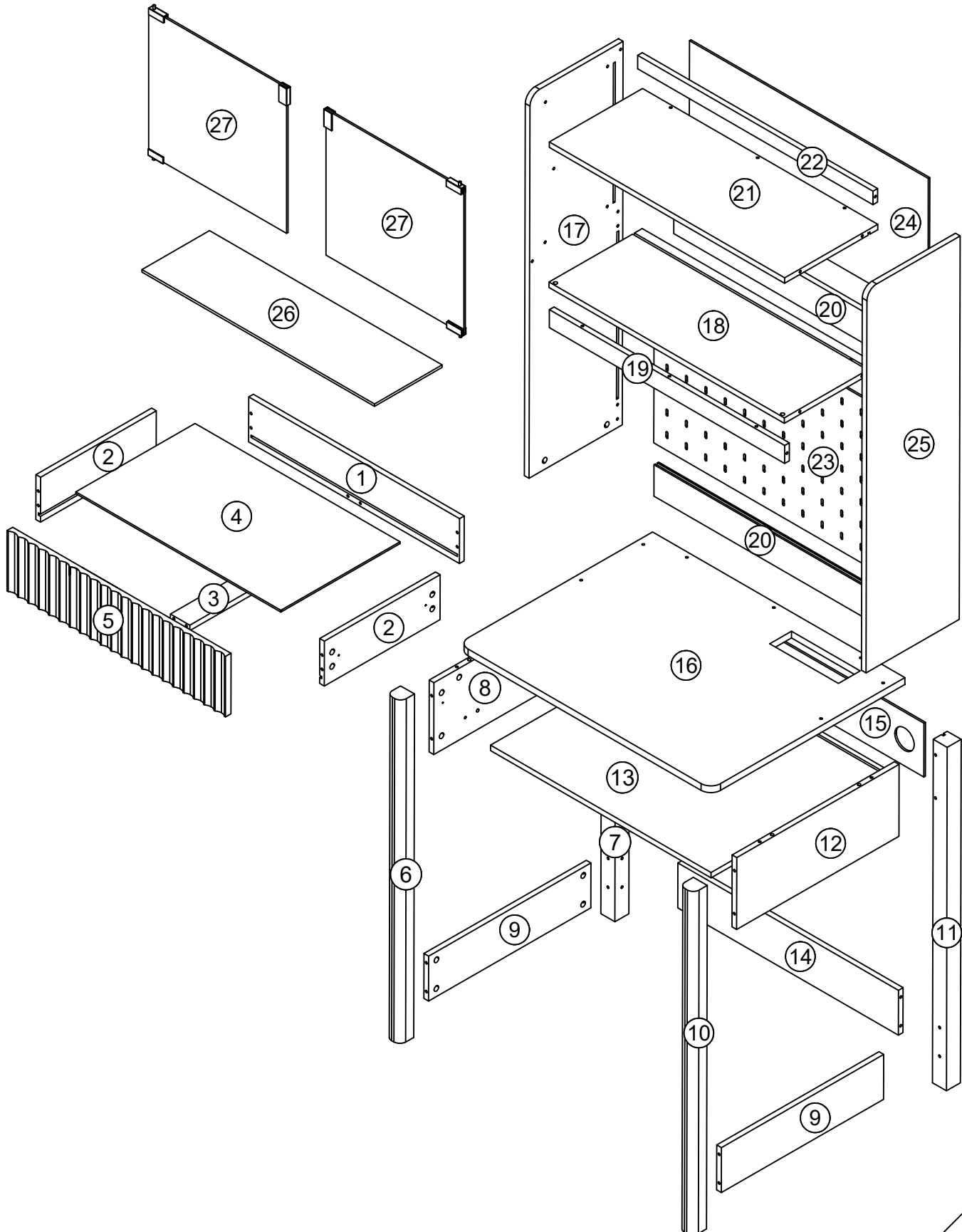
1pcs



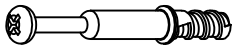
Double-head screwdriver, use as required

3

# Product structure decomposition



A



12pcs

B



12pcs

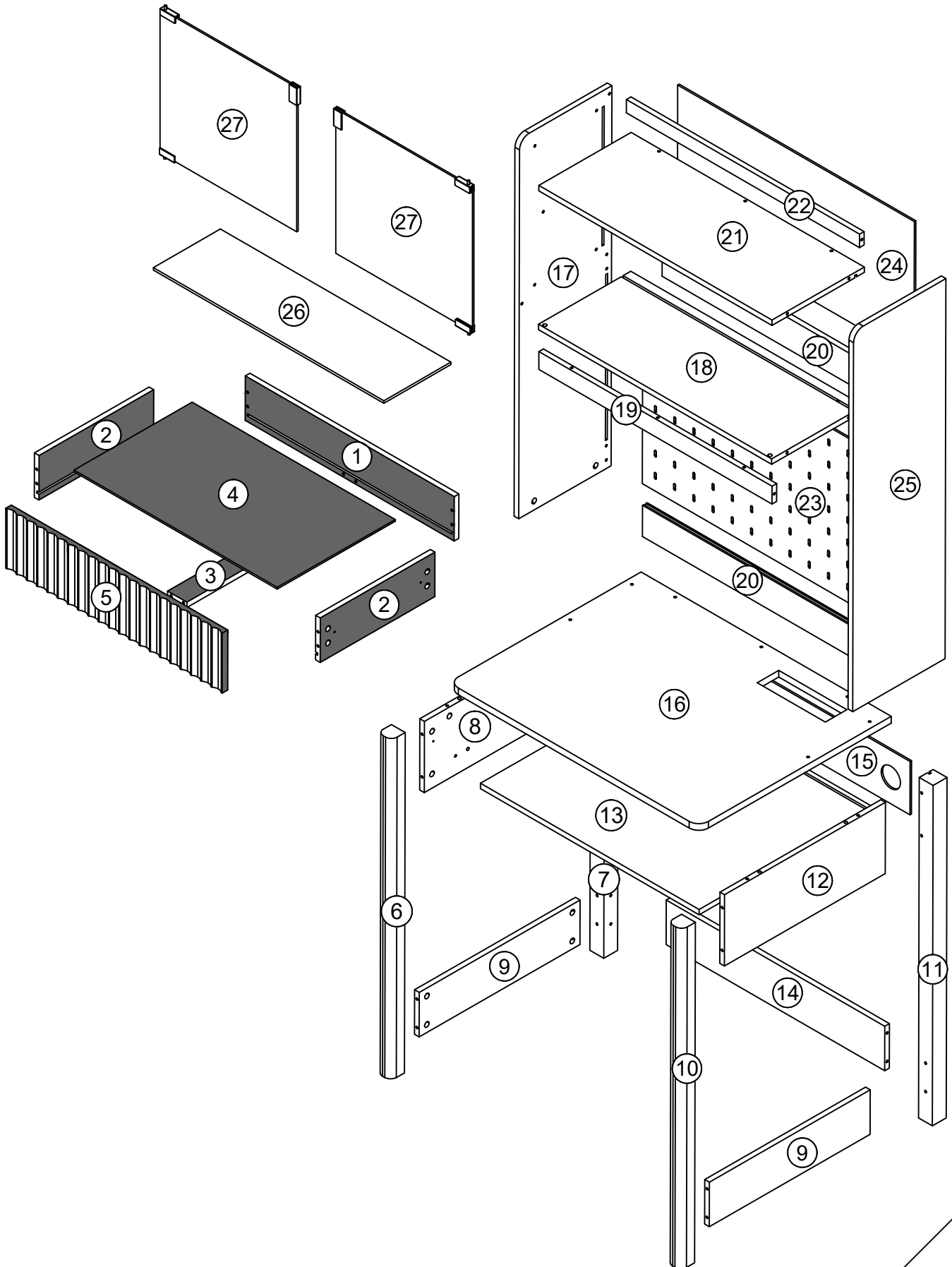
D



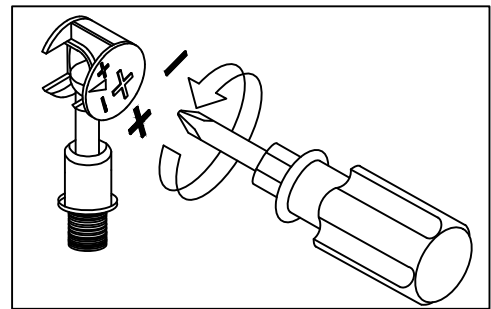
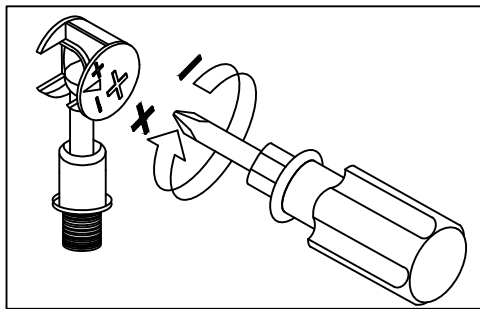
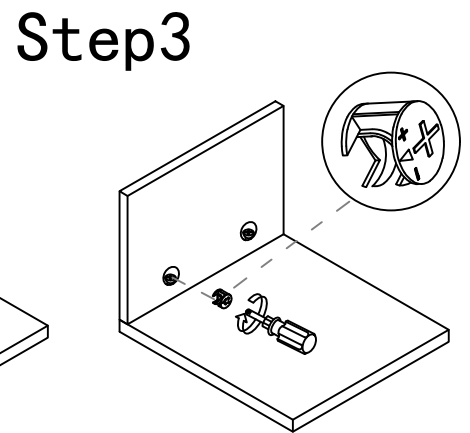
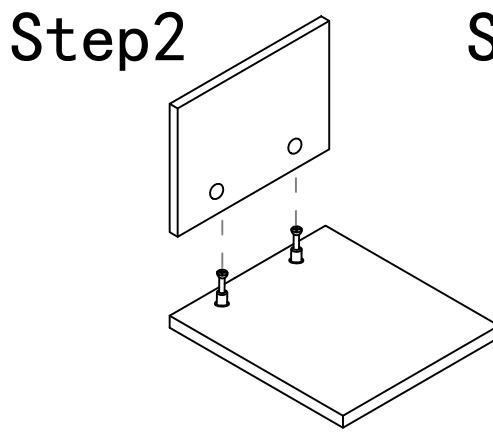
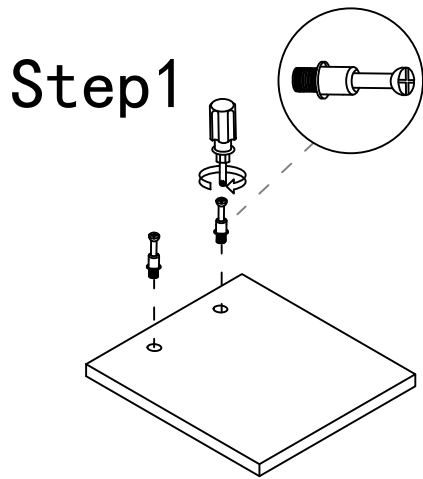
2pcs



4pcs

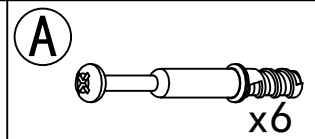
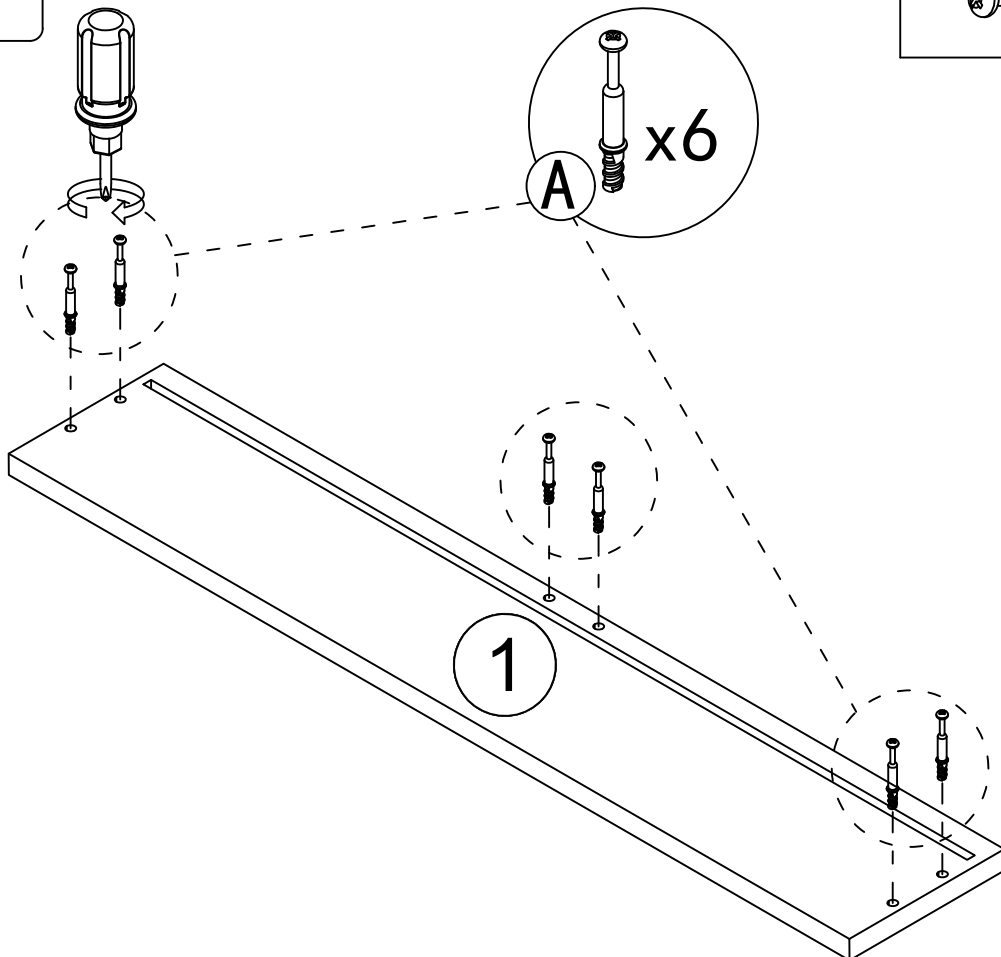


# Screw installation method



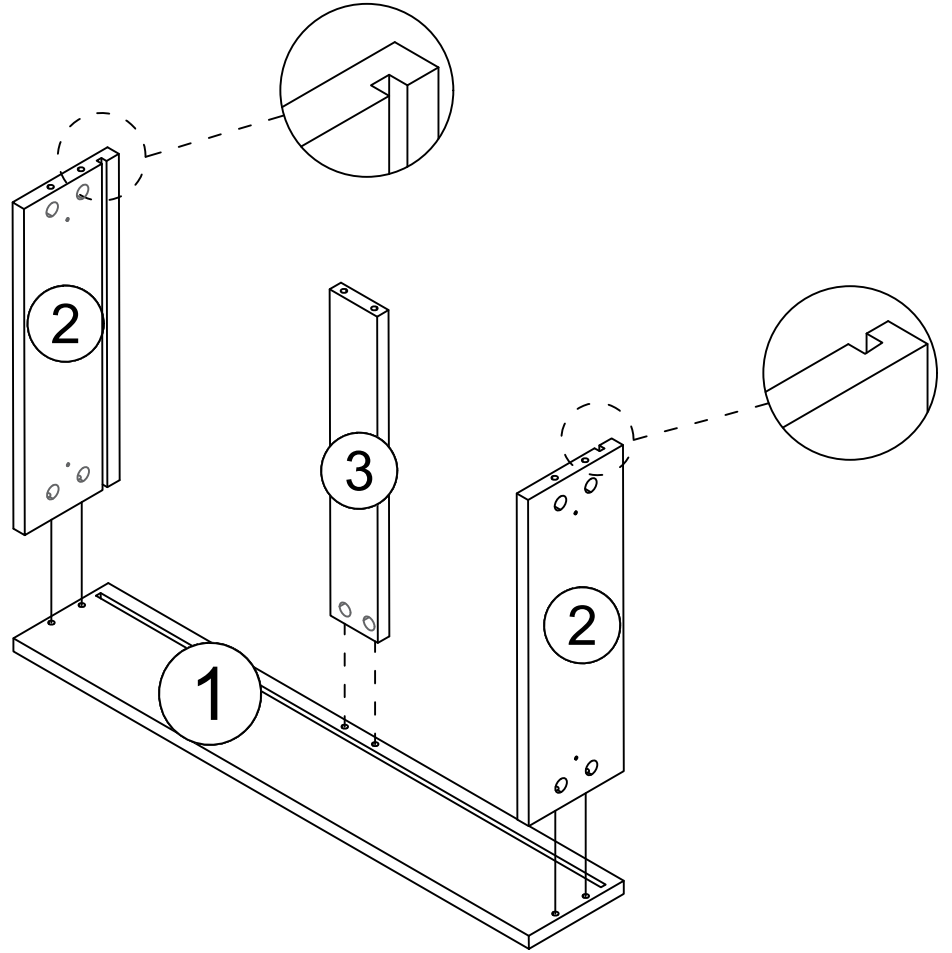
Use a screwdriver to lock in the direction of of "-" sign Disassemble along the direction the "+" sign.

## Step 1

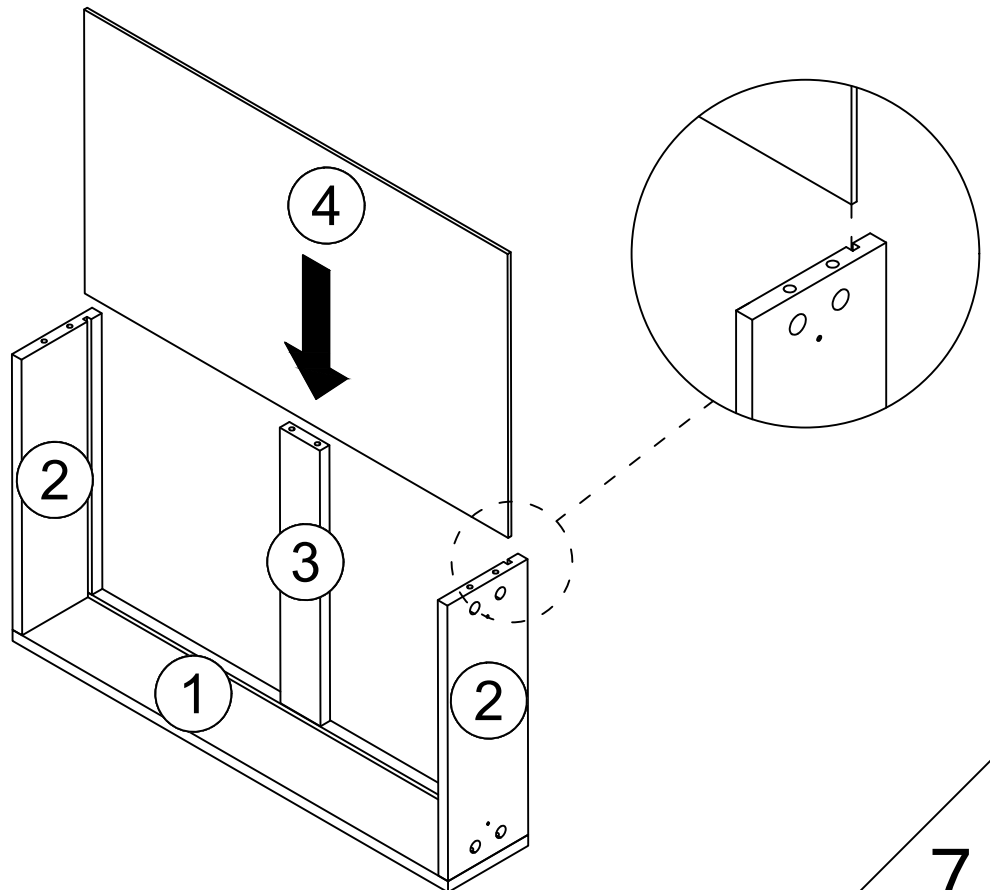


6

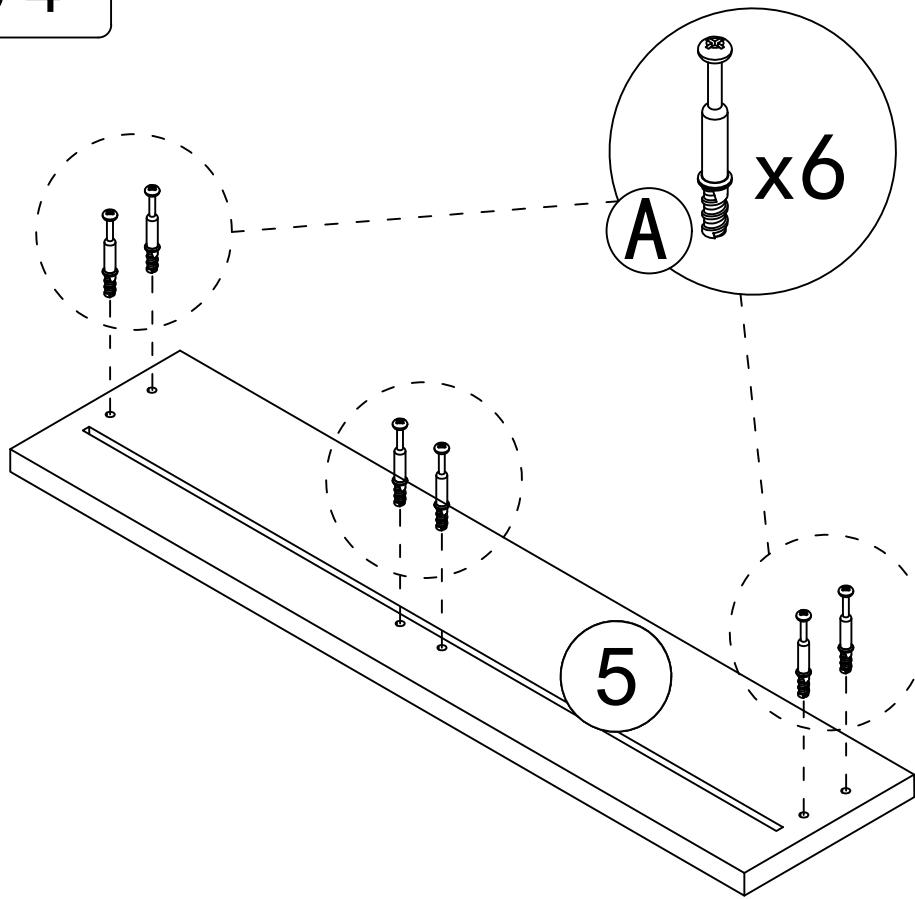
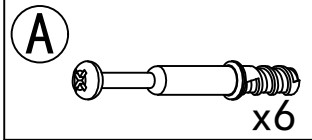
## Step 2



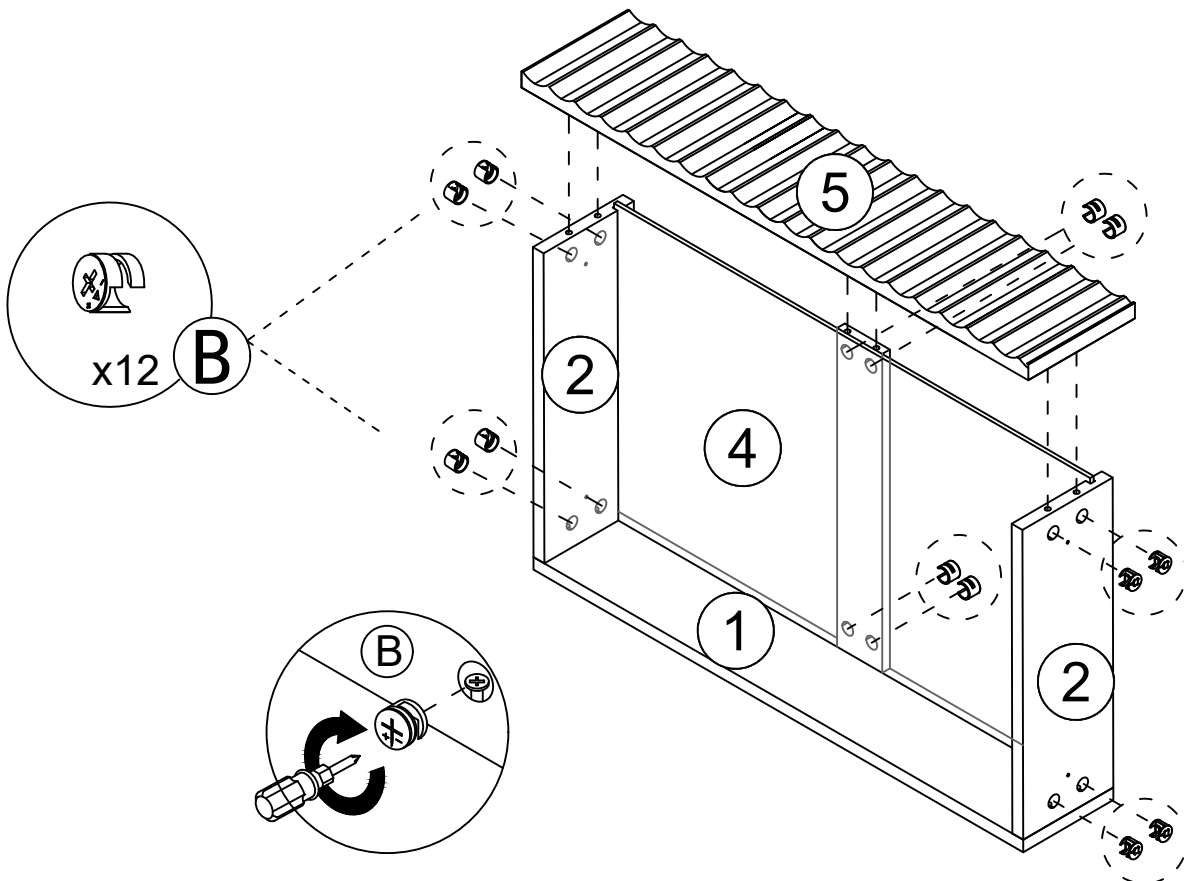
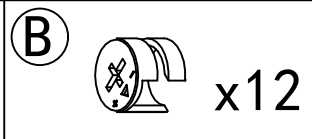
## Step 3



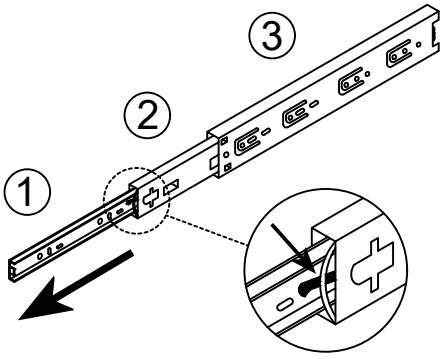
# Step 4



# Step 5

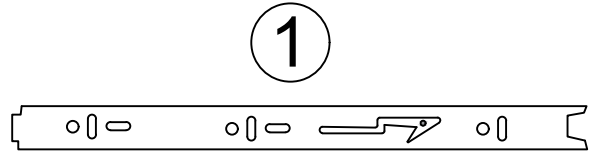


# Drawer rail breakdown diagram



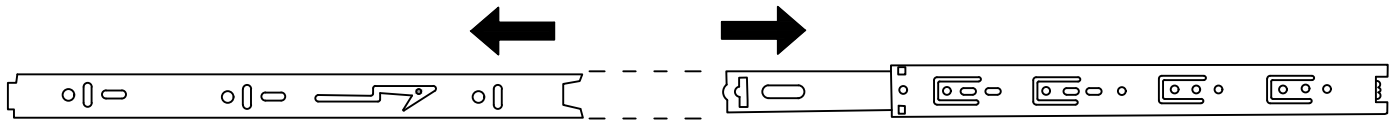
Step 1 : Pull the rails apart

Step 2 : Push the nylon buckle outward ①



②

③

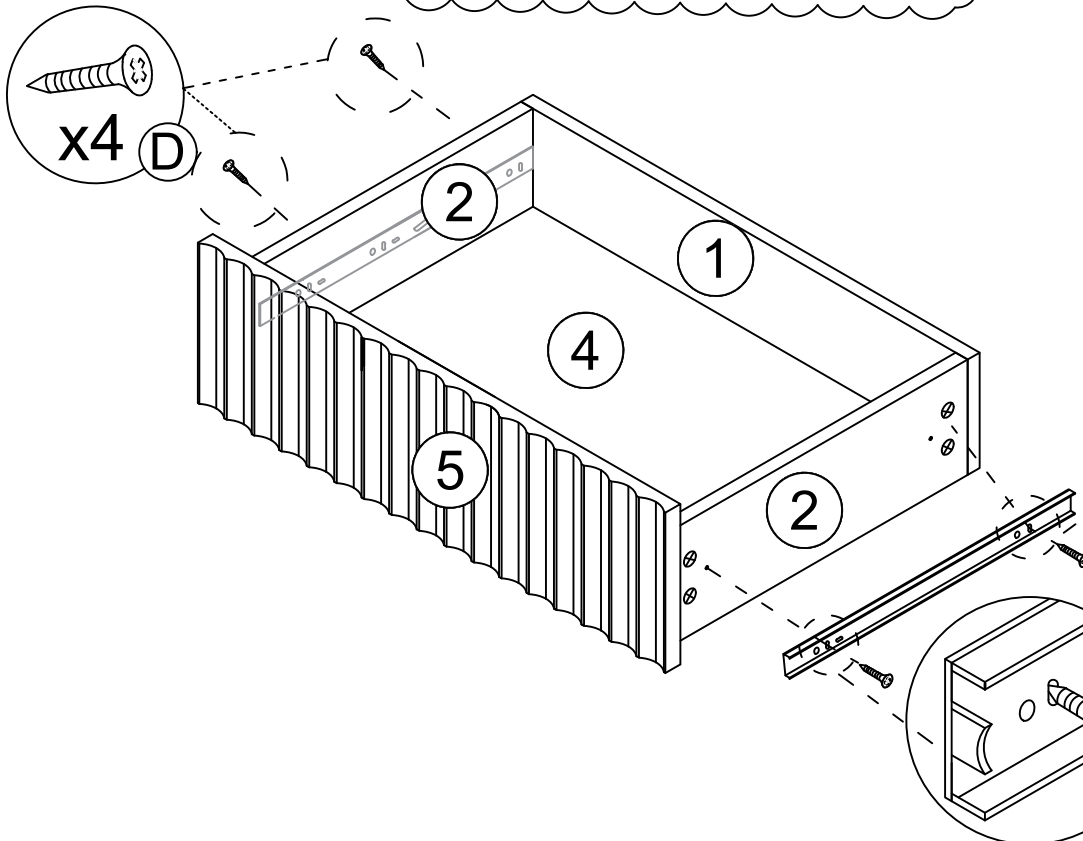
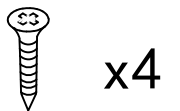
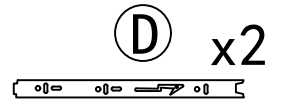
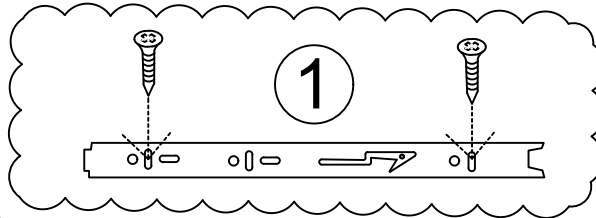



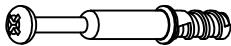



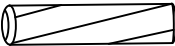





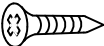

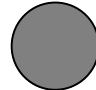
①

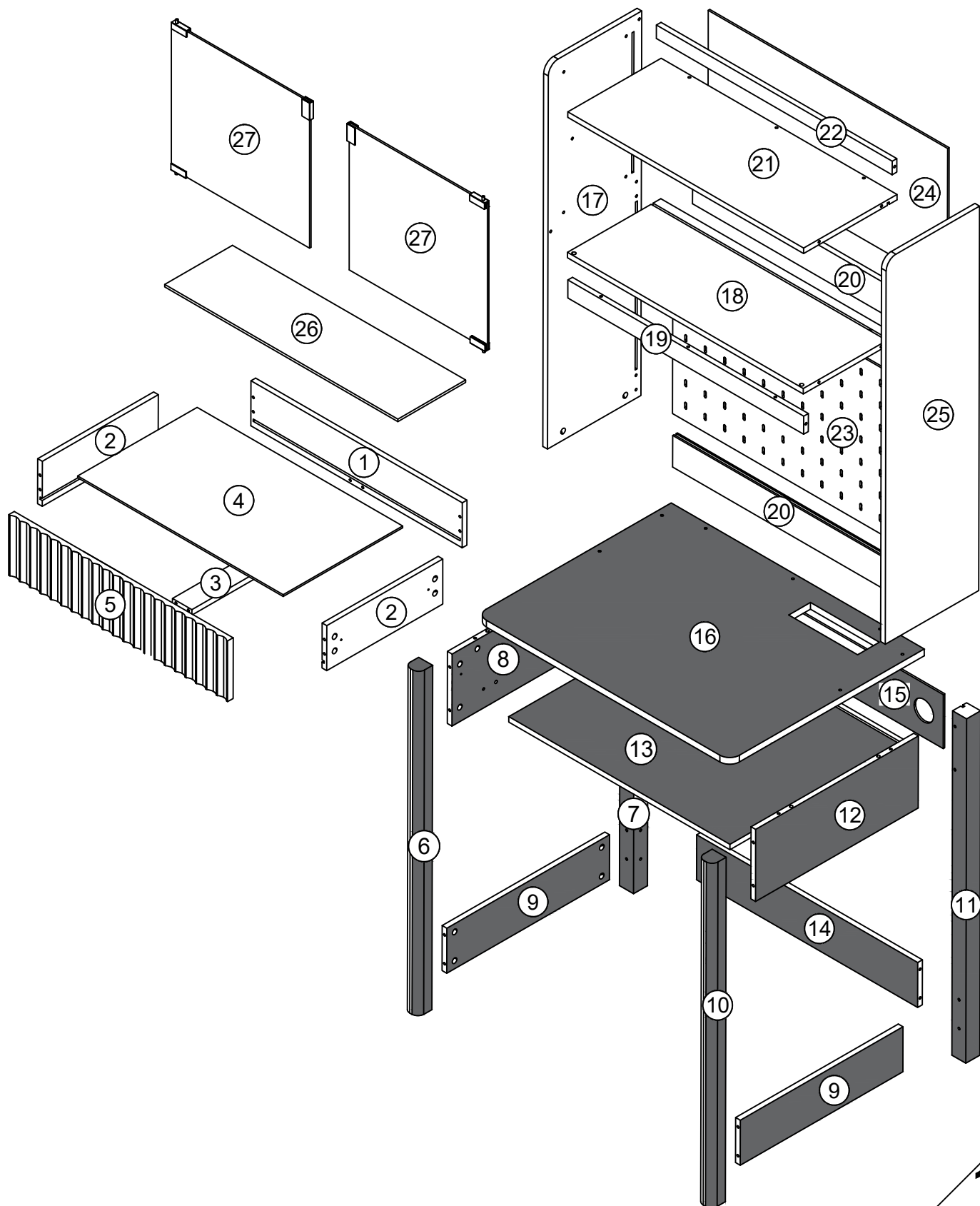
②

③

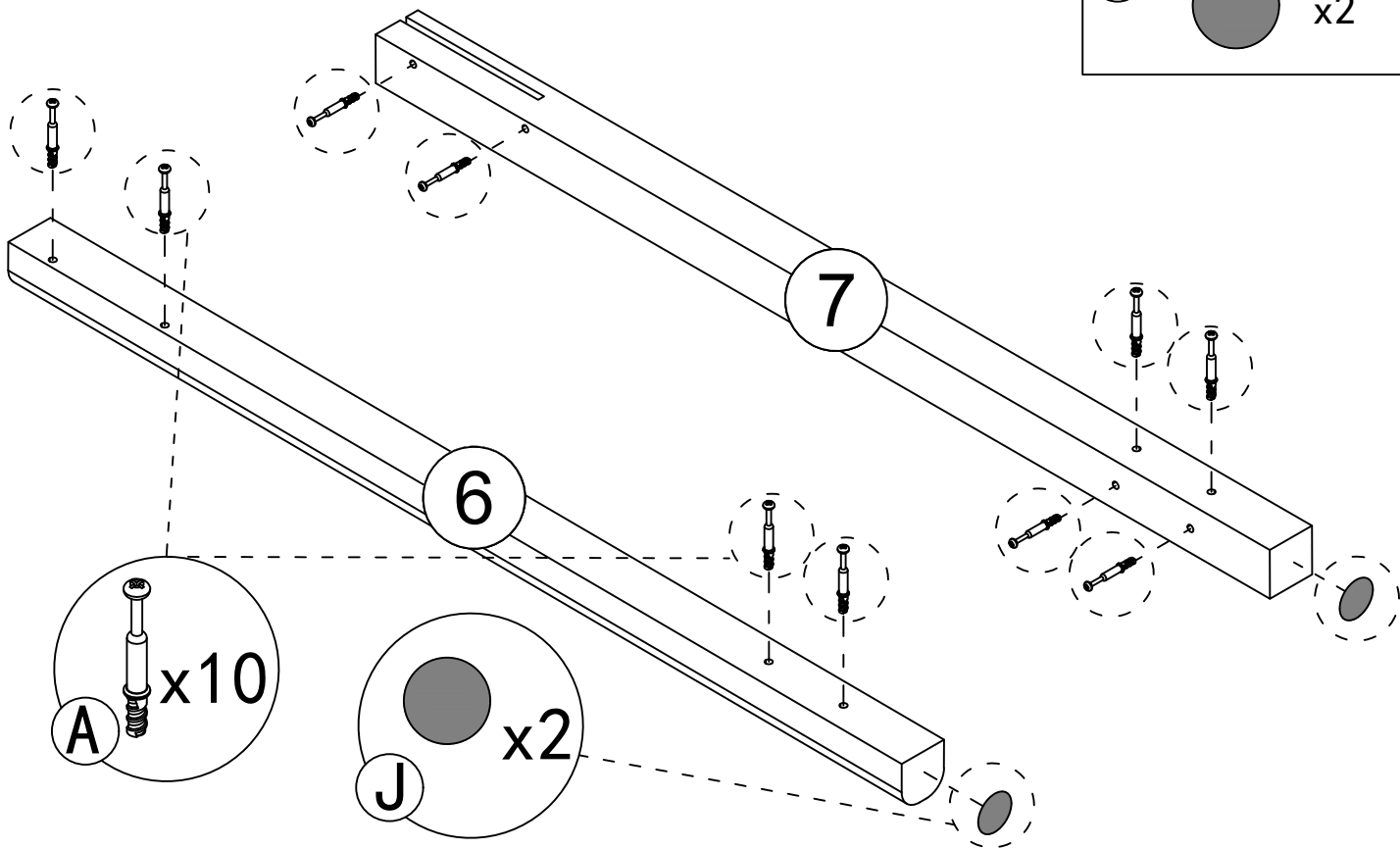
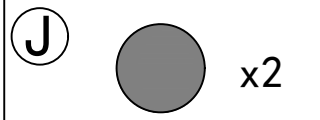
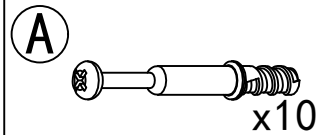
## Step 6



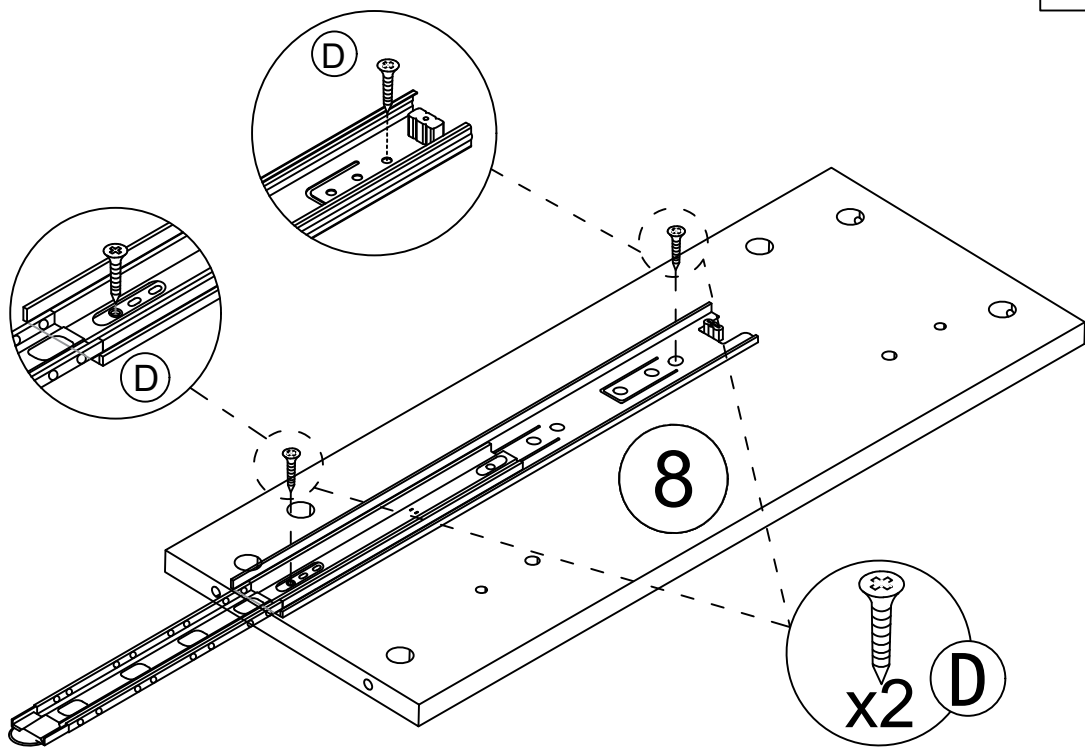
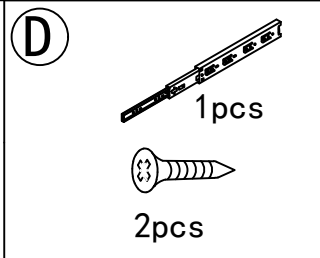
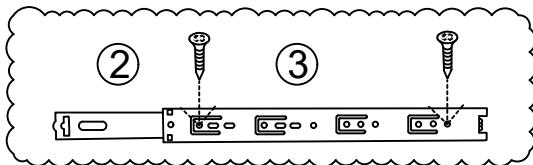
 <p><b>A</b></p>		<p>35pcs</p>	 <p><b>B</b></p>		<p>28pcs</p>
 <p><b>C</b></p>		<p>8pcs</p>	 <p><b>D</b></p>	 <p>2pcs</p>	 <p>4pcs</p>
 <p><b>H</b></p>	 <p>1pcs</p>	 <p>2pcs</p>	 <p><b>J</b></p>		<p>4pcs</p>



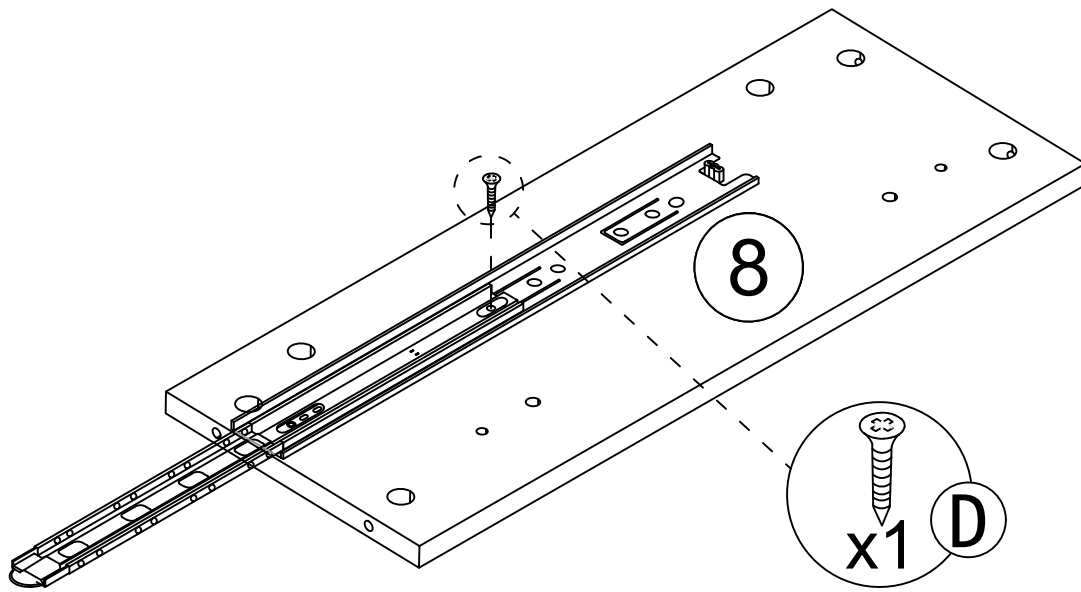
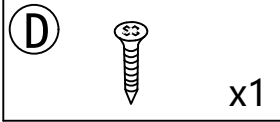
# Step 7



# Step 8

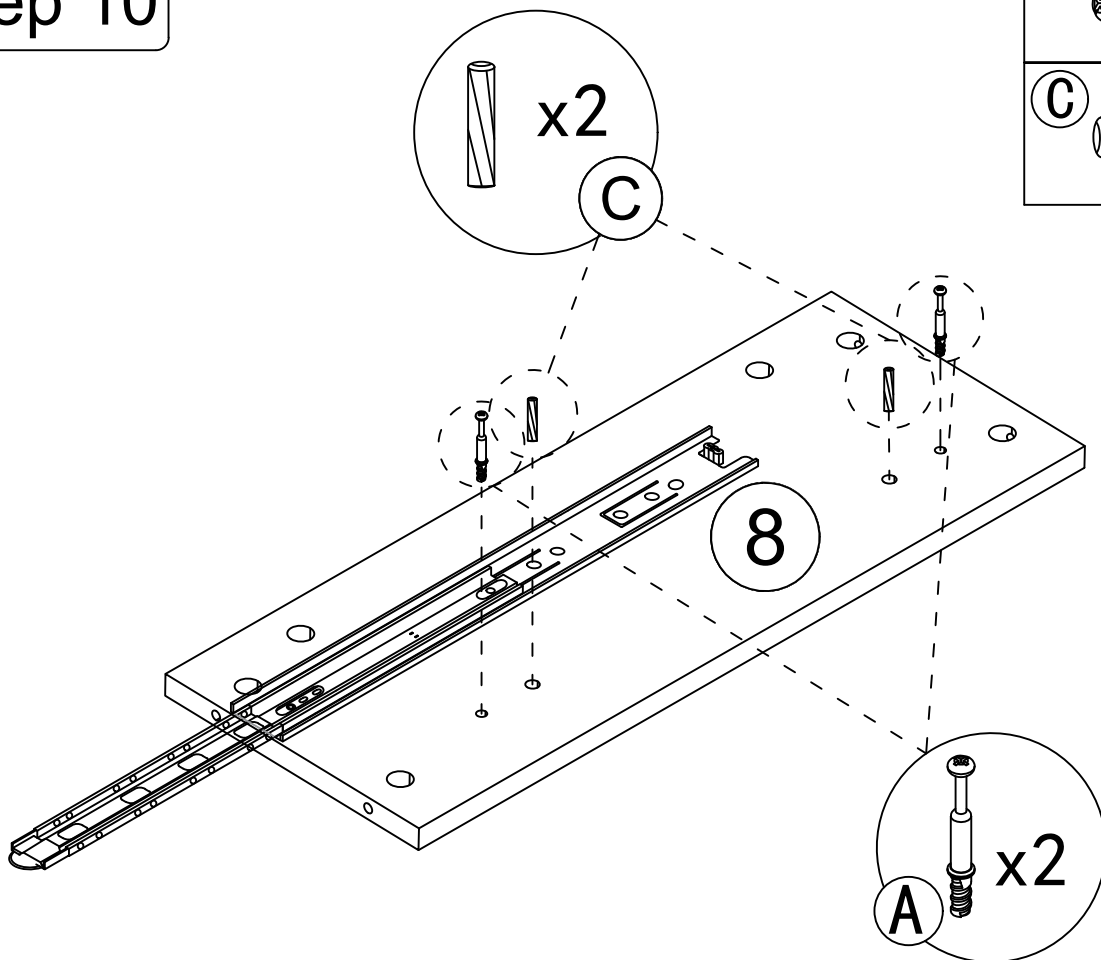
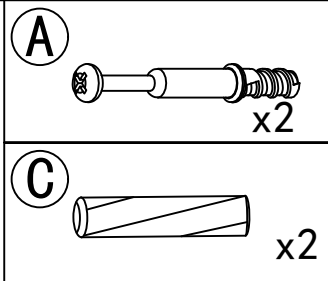


# Step 9

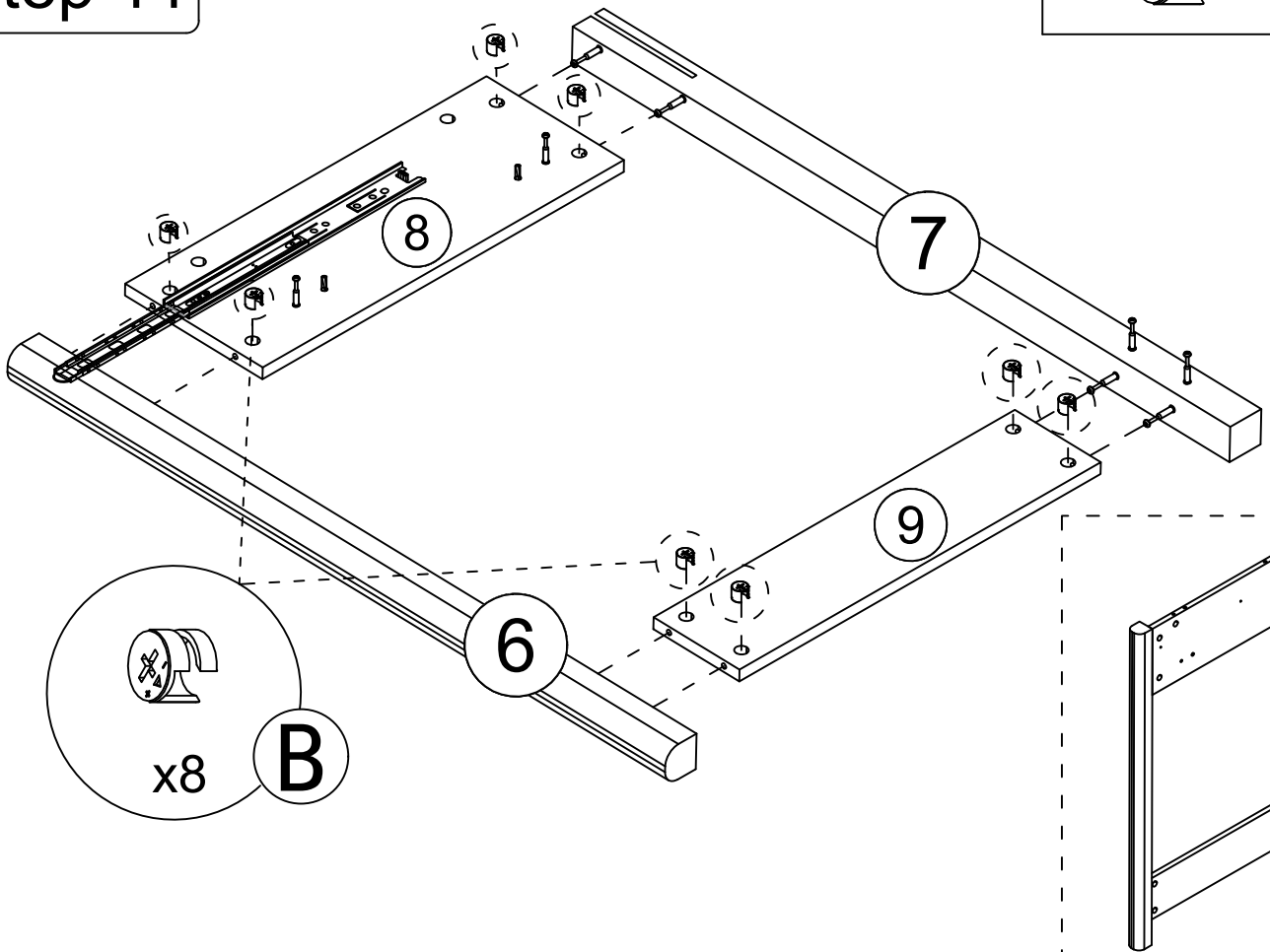
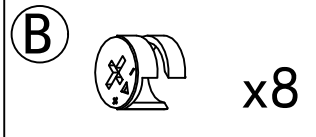


This hole is for strengthening fixed hole customers can choose to install according to their needs.

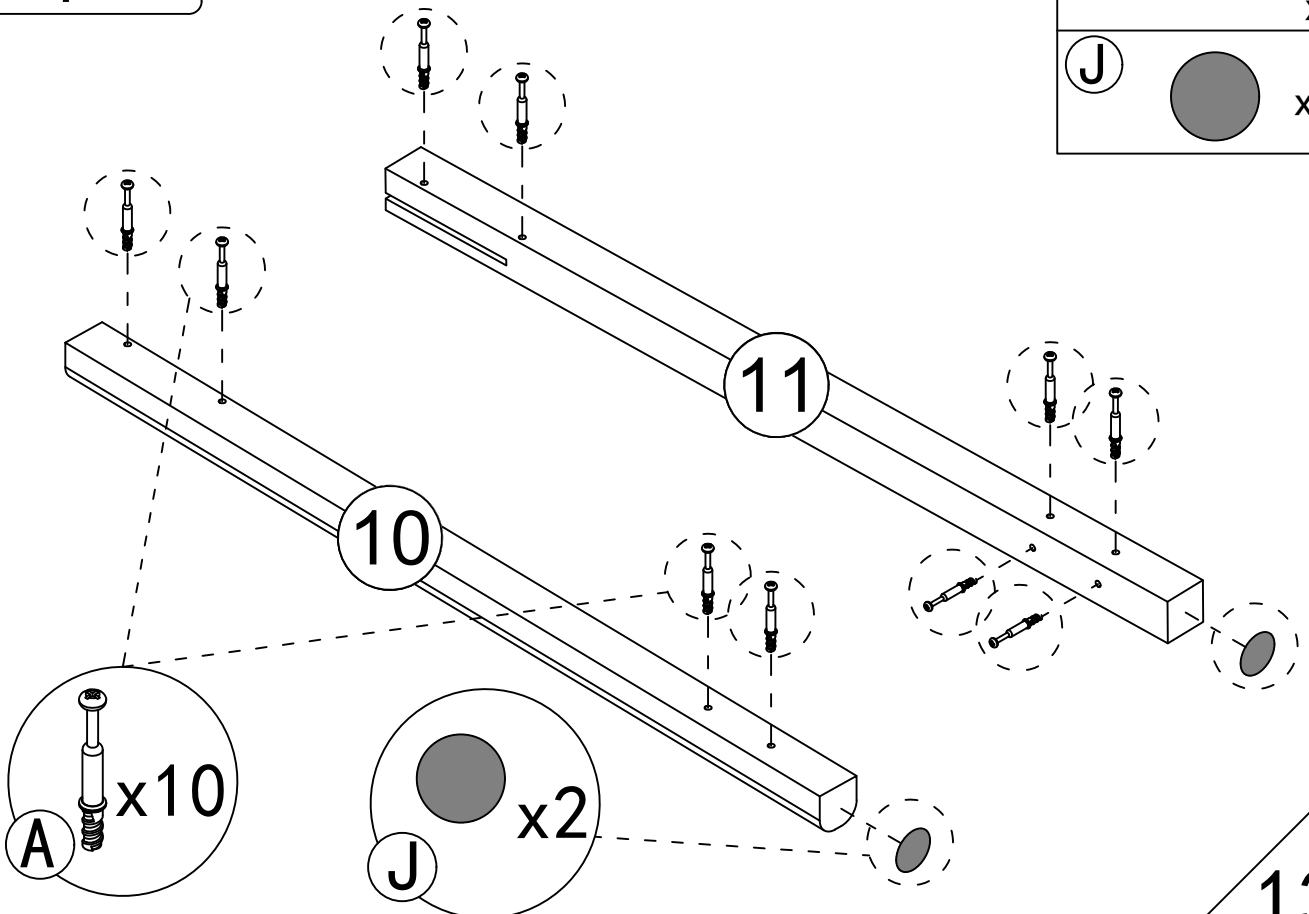
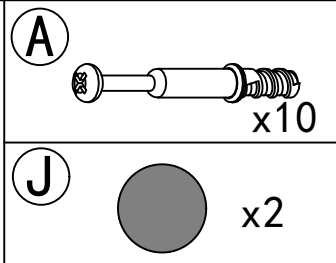
# Step 10



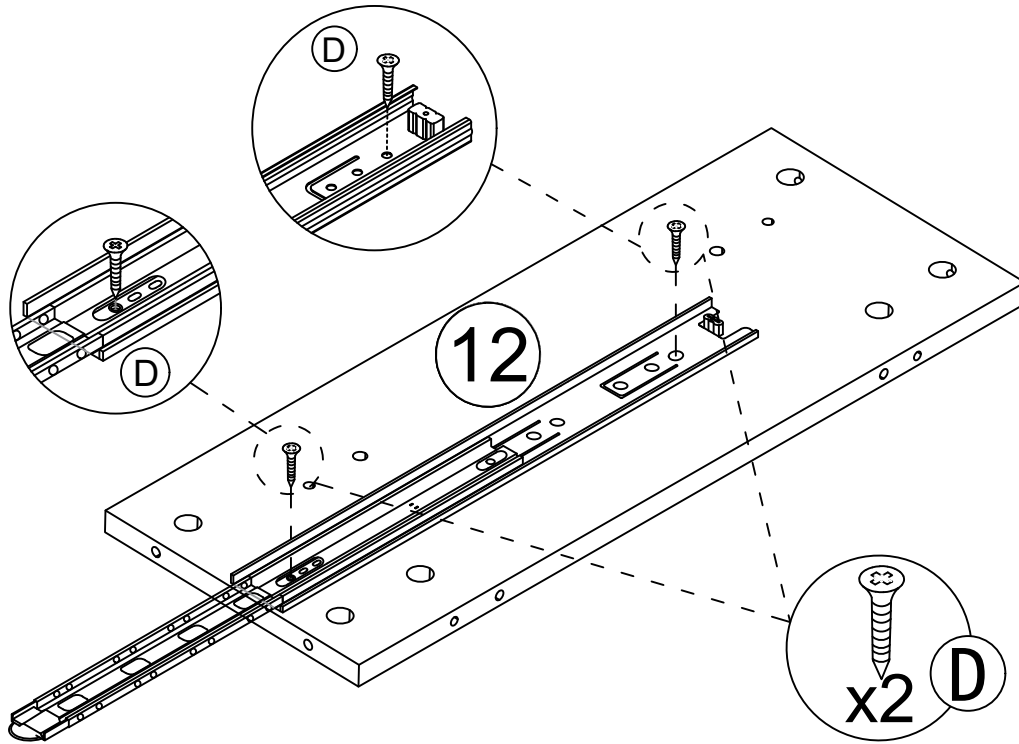
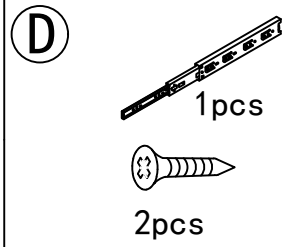
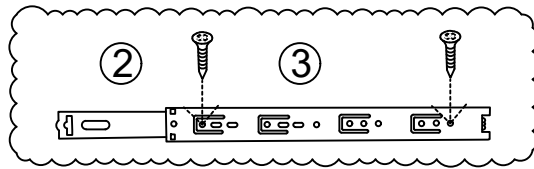
# Step 11



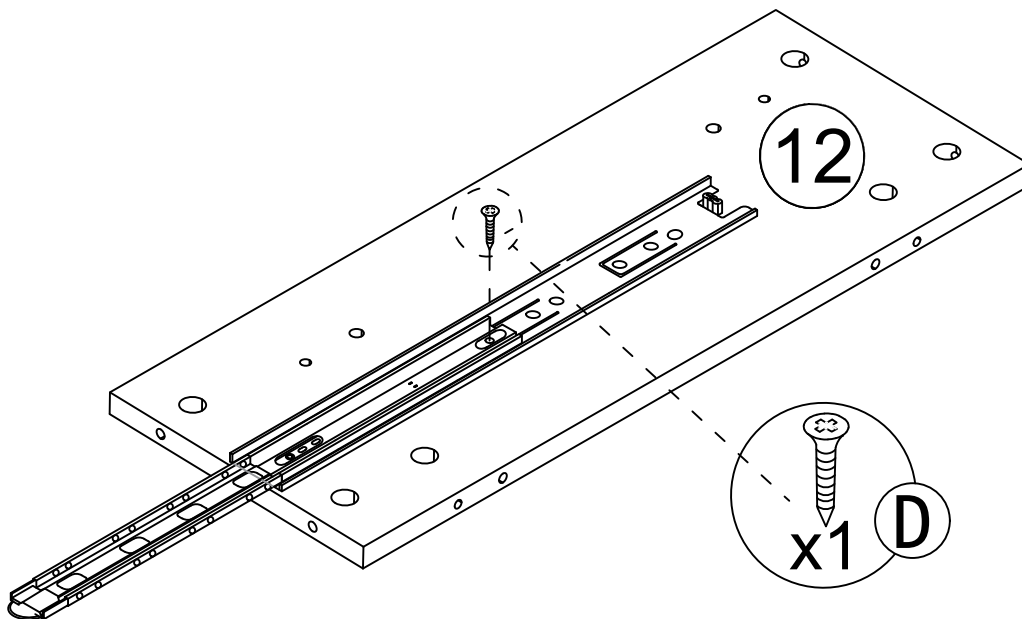
# Step 12



# Step 13

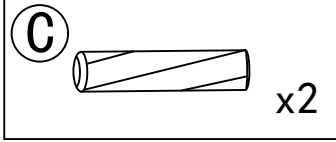
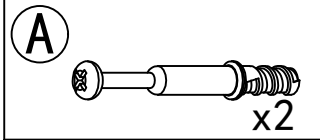
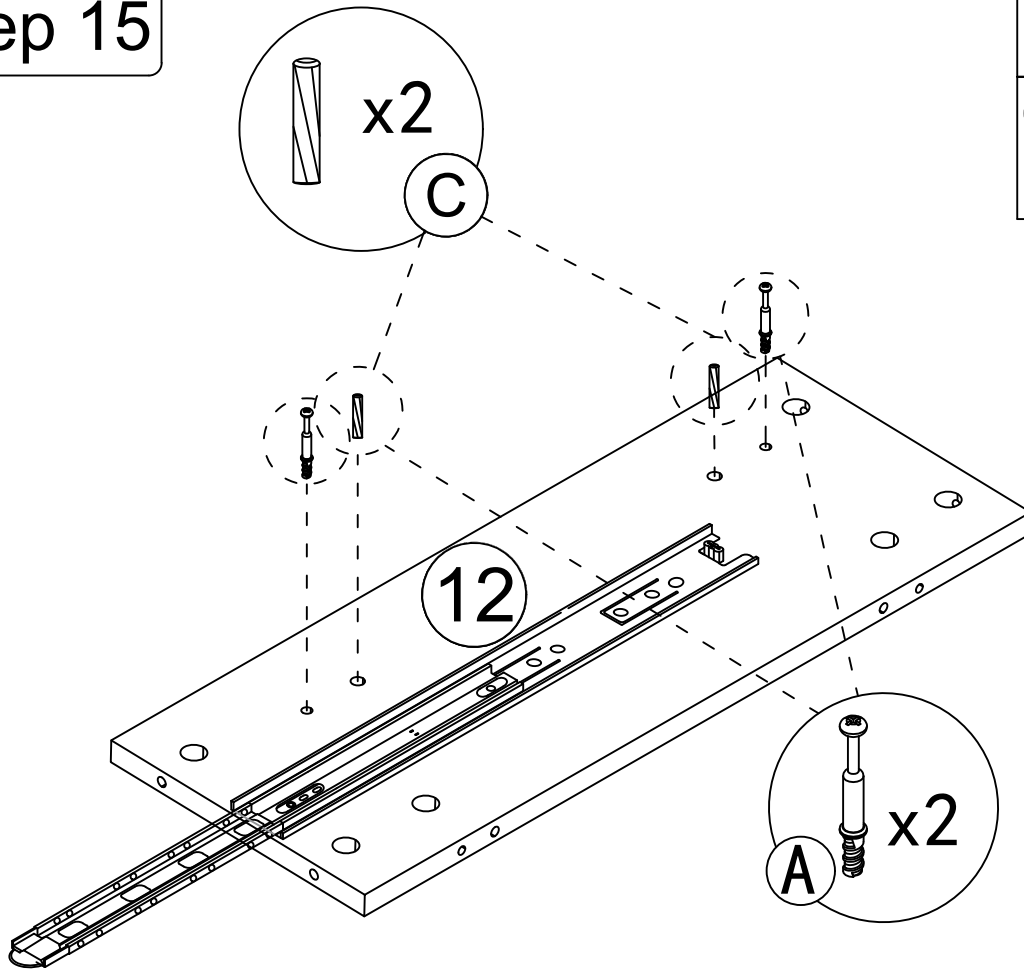


# Step 14

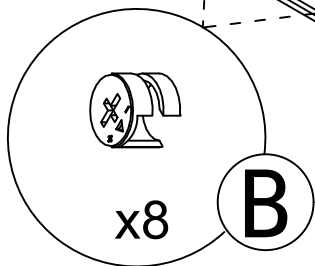
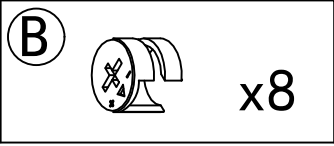
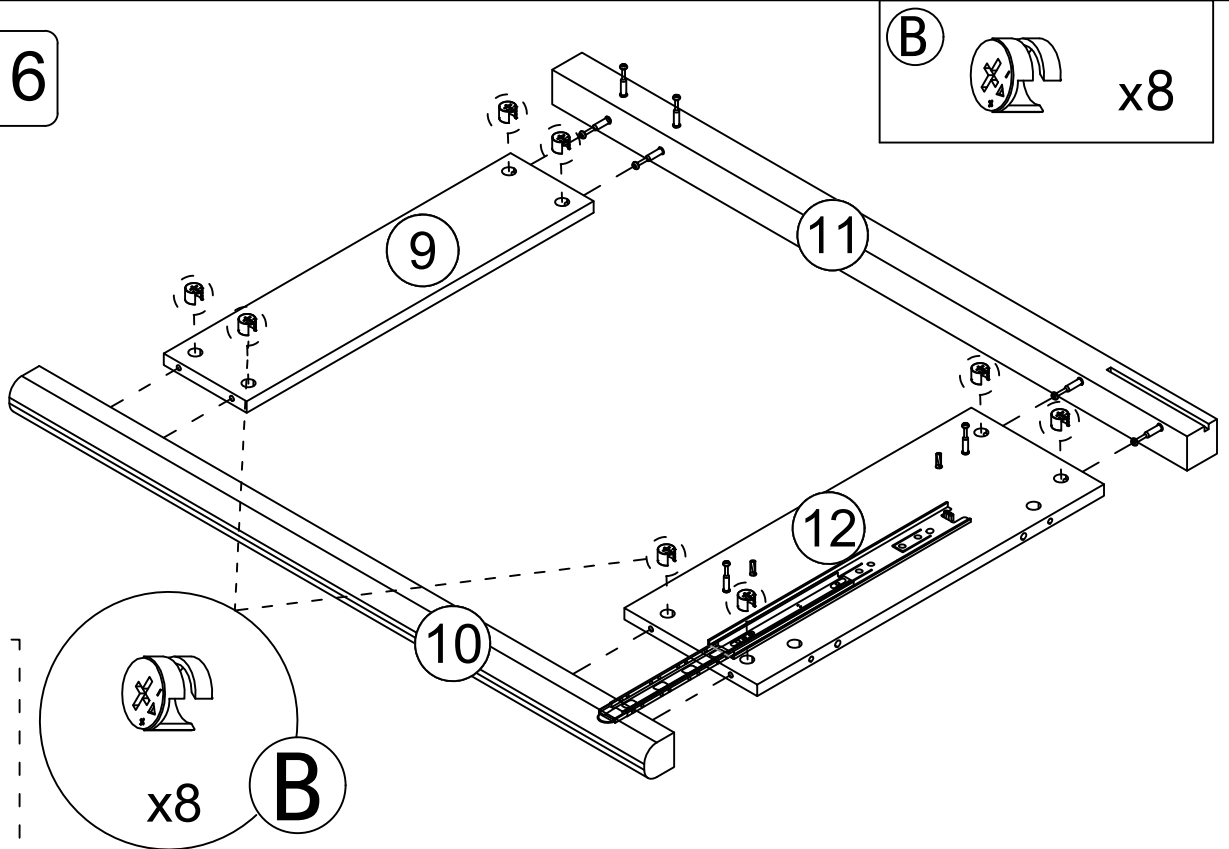


This hole is for strengthening fixed hole customers can choose to install according to their needs.

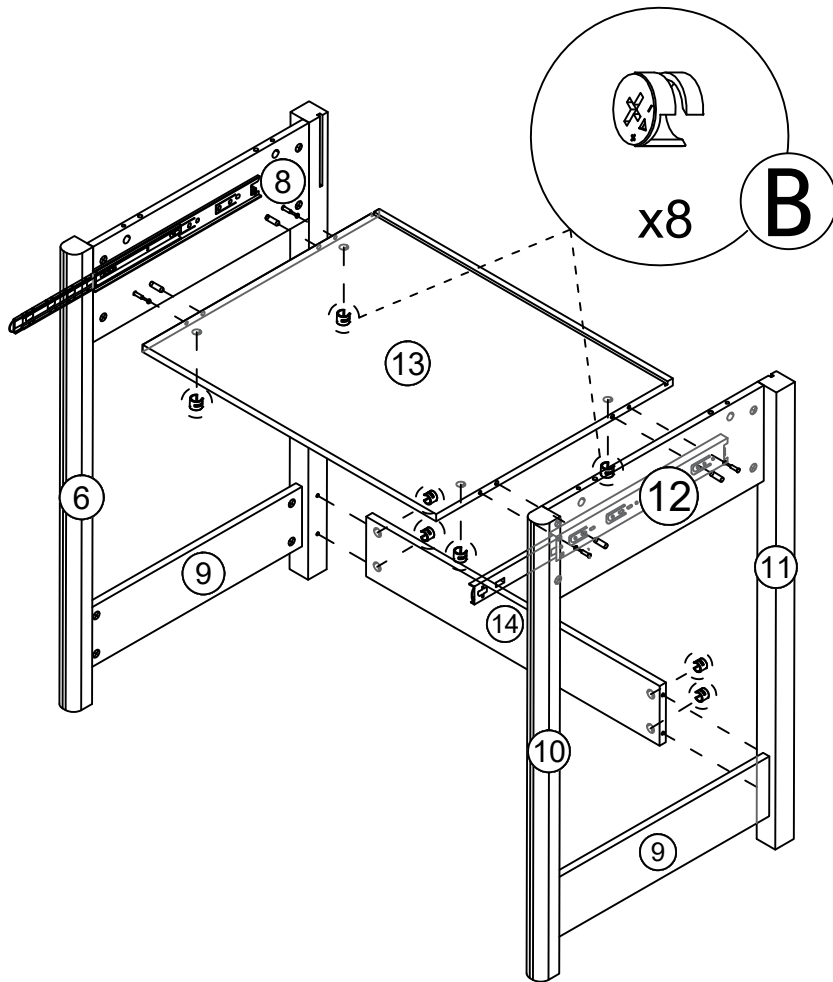
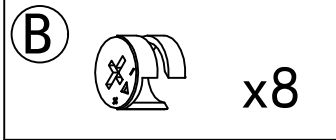
# Step 15



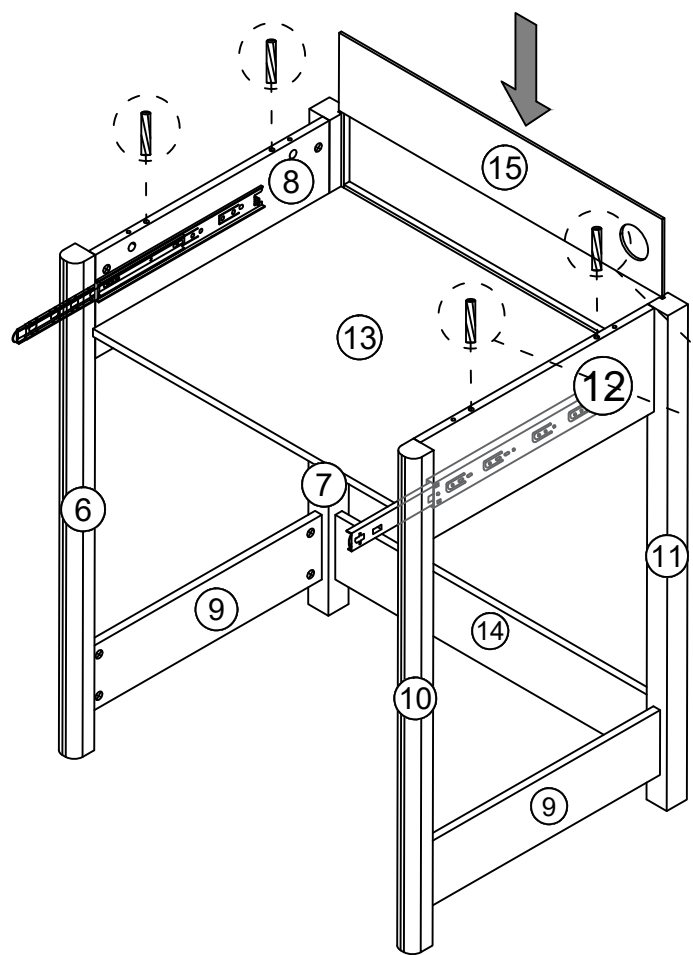
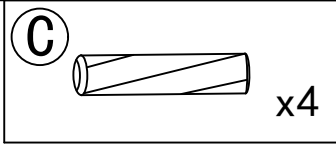
# Step 16



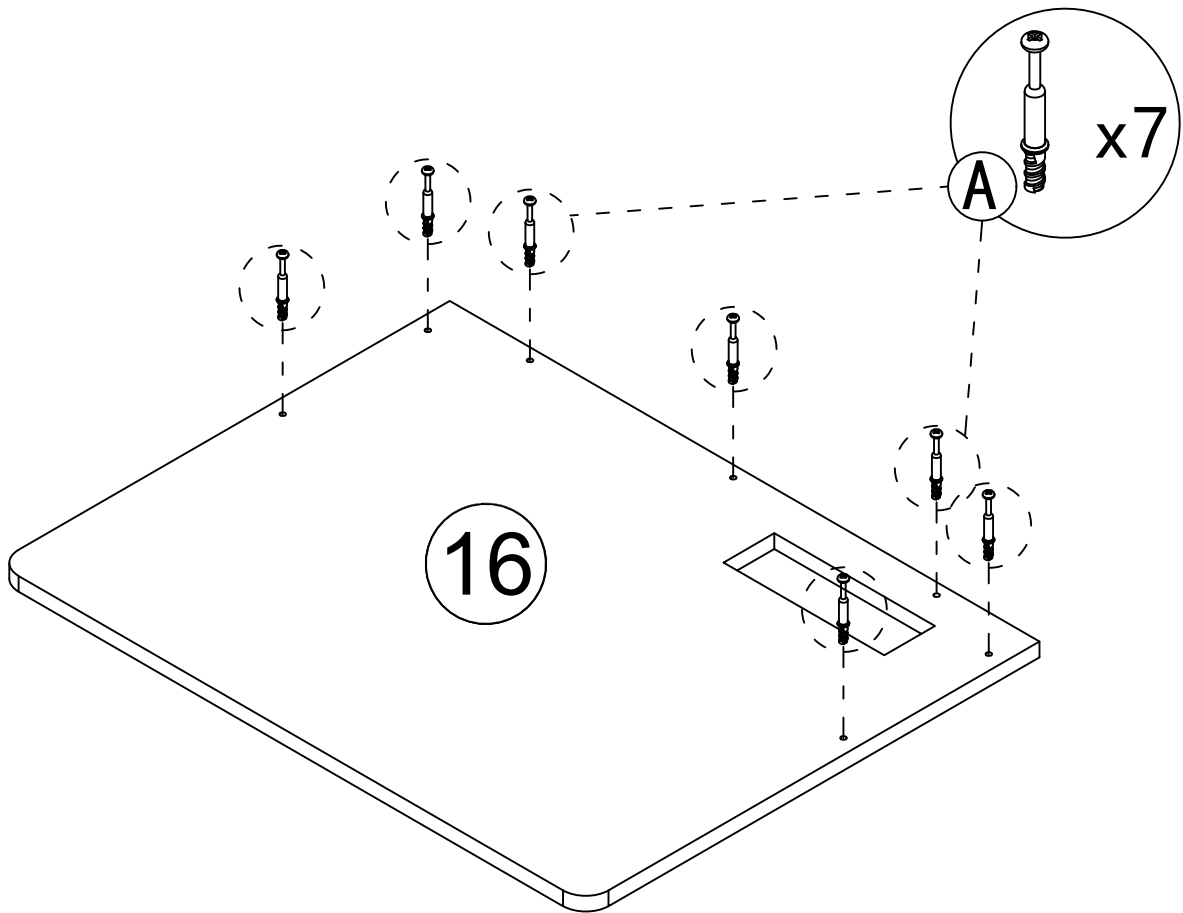
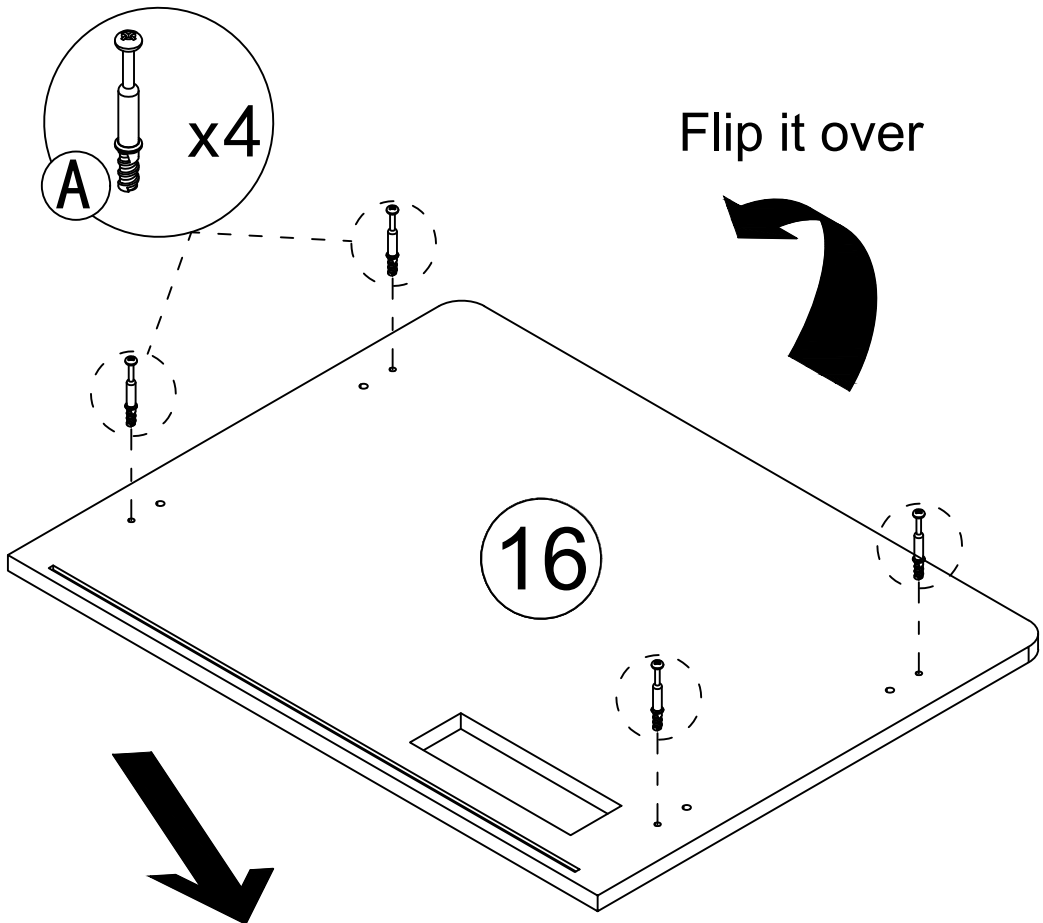
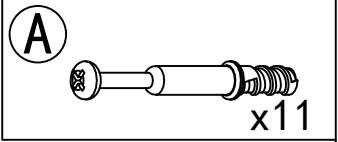
# Step 17




# Step 18

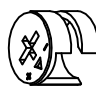


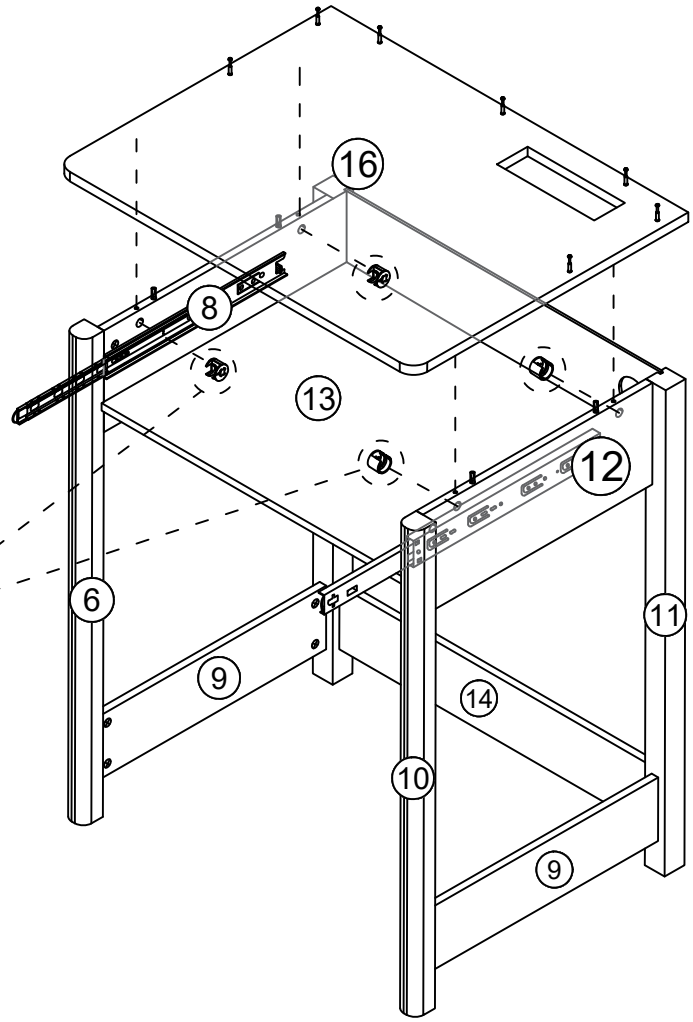
# Step 19





# Step 20


**B**  x4

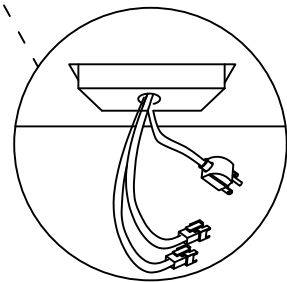
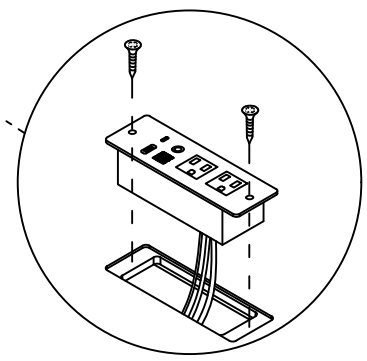
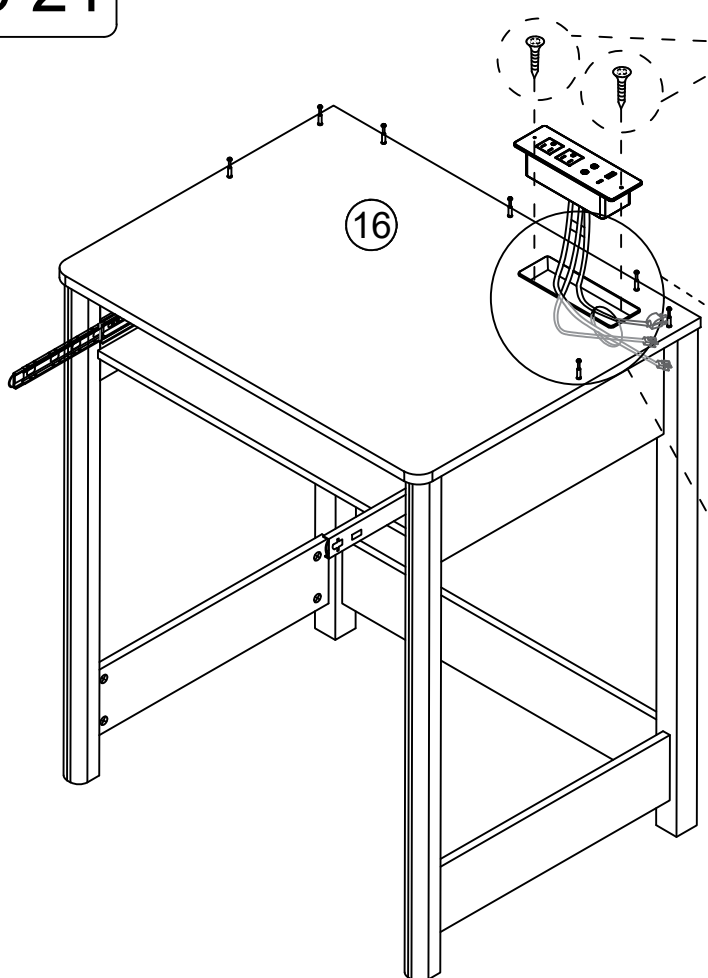
**B**  x4

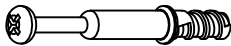

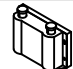













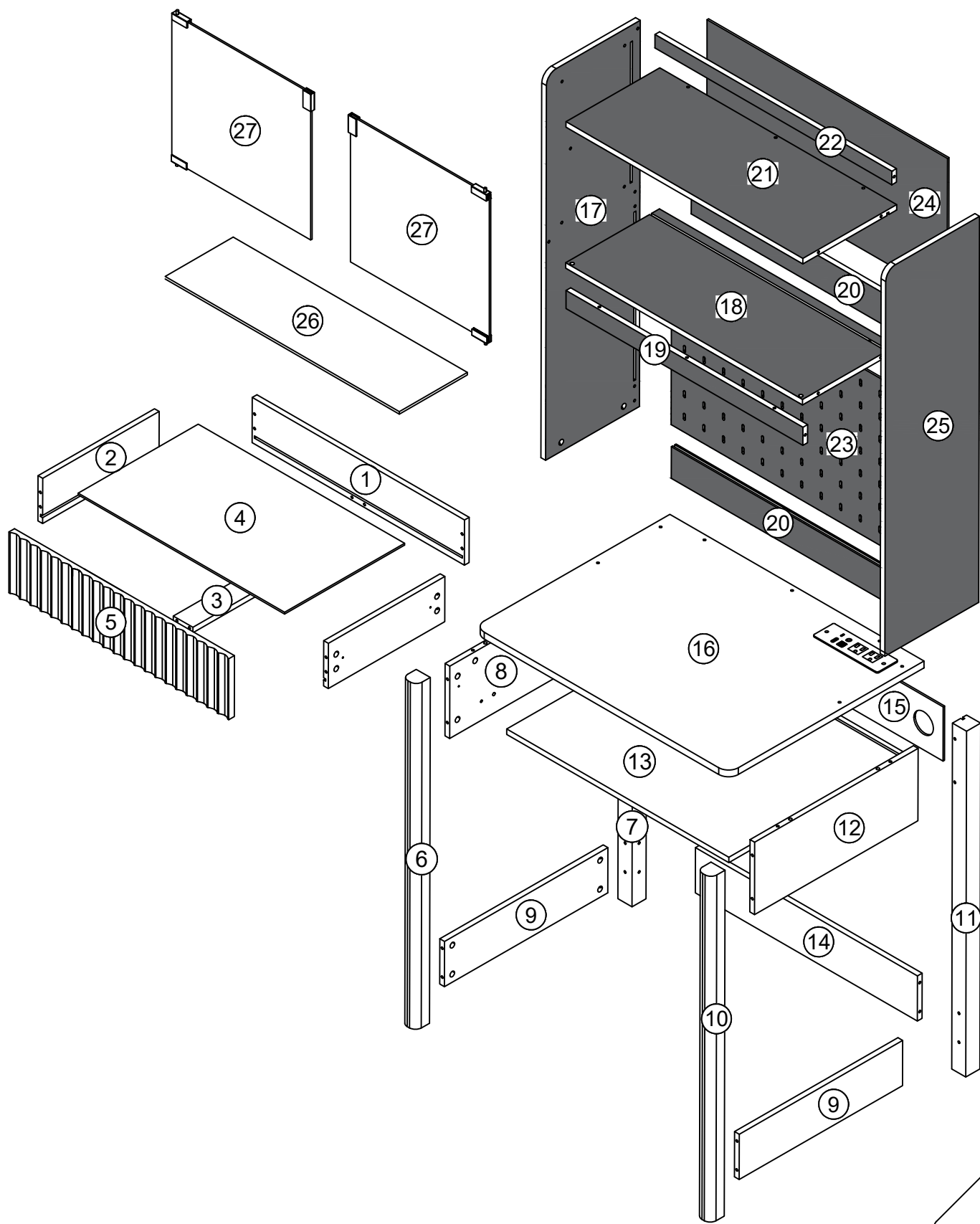
# Step 21

**H**  x1  x2

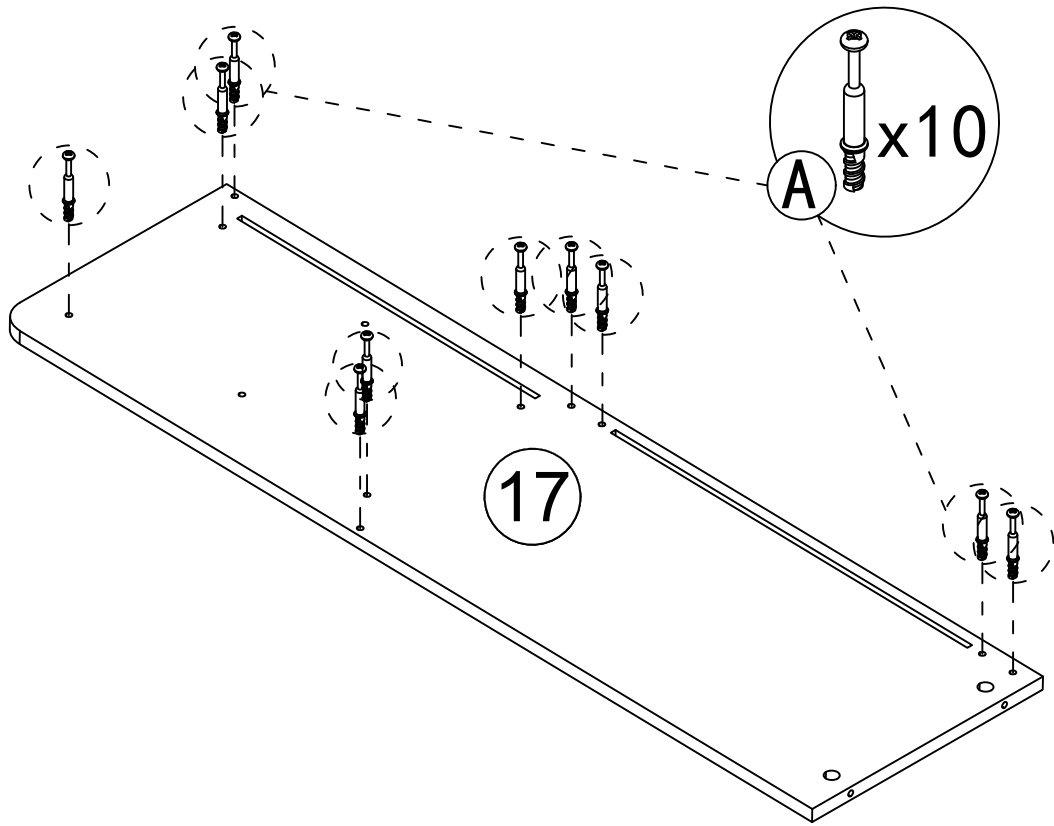
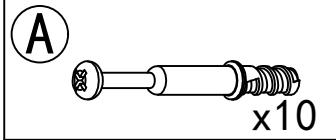
**H**  x2



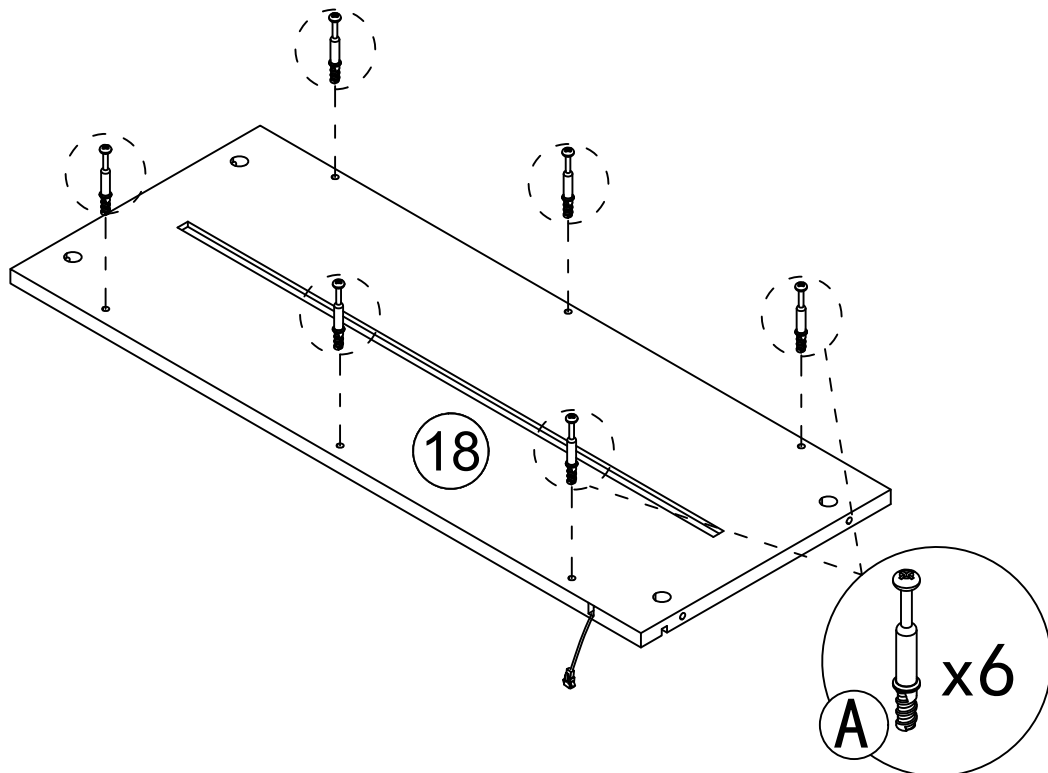
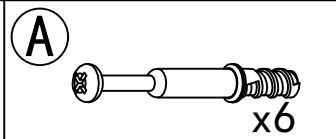
<p><b>A</b></p>		<p>29pcs</p>	<p><b>B</b></p>		<p>36pcs</p>		
<p><b>F</b></p>		<p>1pcs</p>	<p>4pcs</p>		<p><b>I</b></p>	  	<p>2pcs</p>
				<p>2pcs</p>	  	<p>2pcs</p>	
				<p>4pcs</p>			



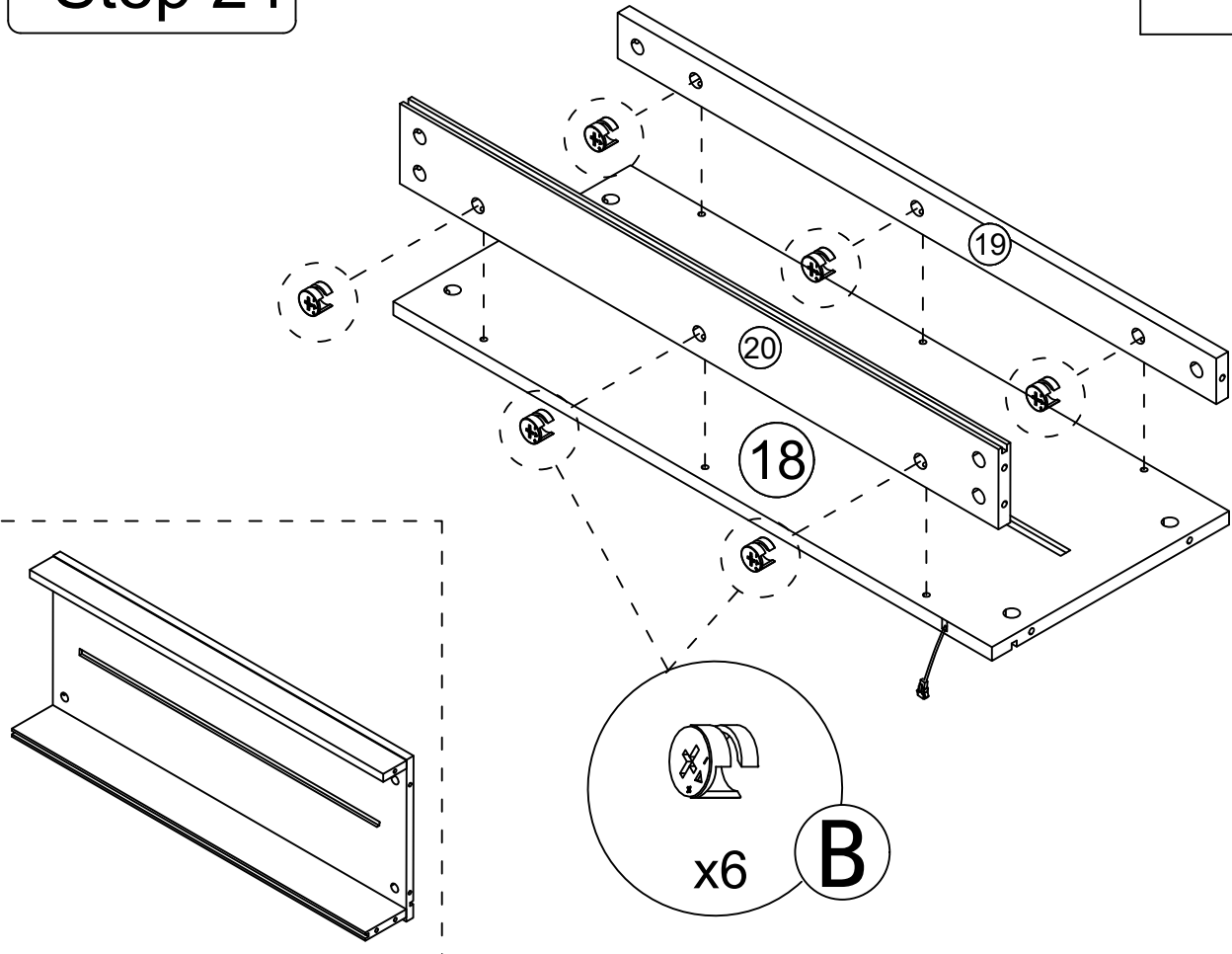
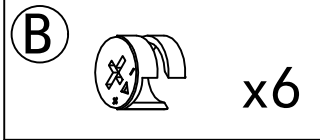
# Step 22



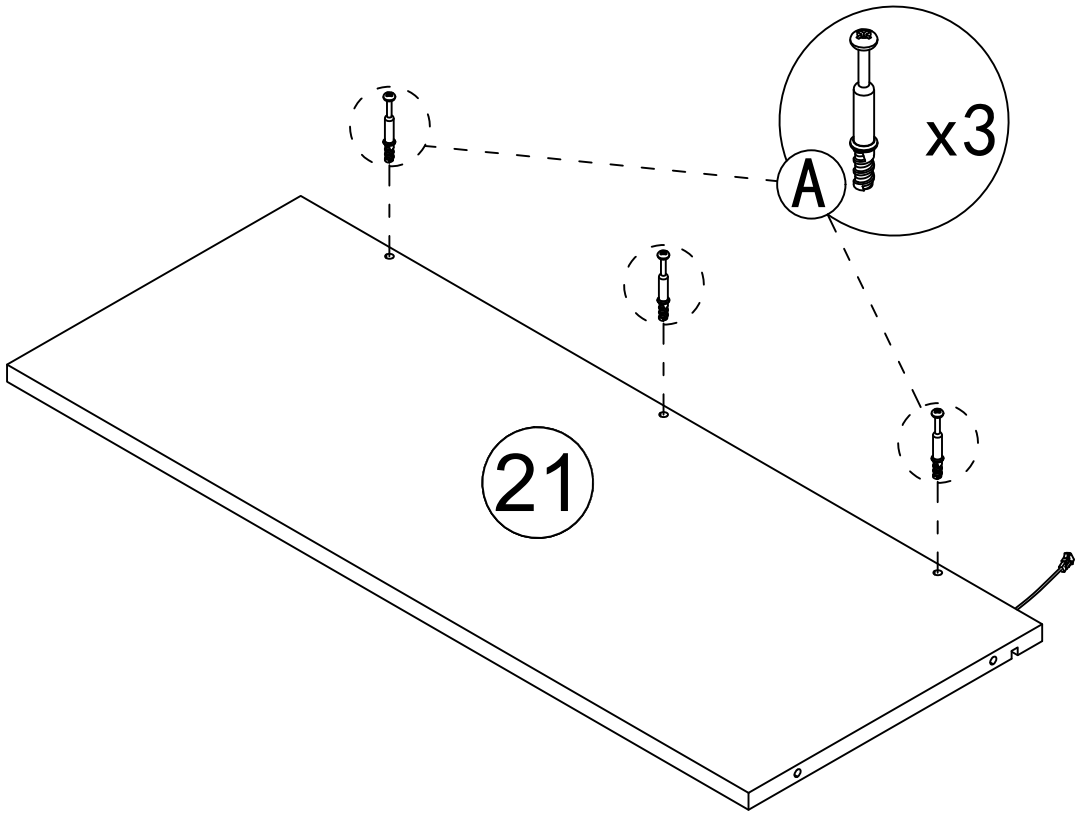
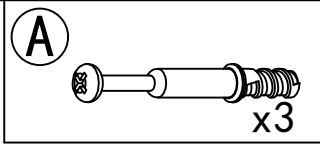
# Step 23



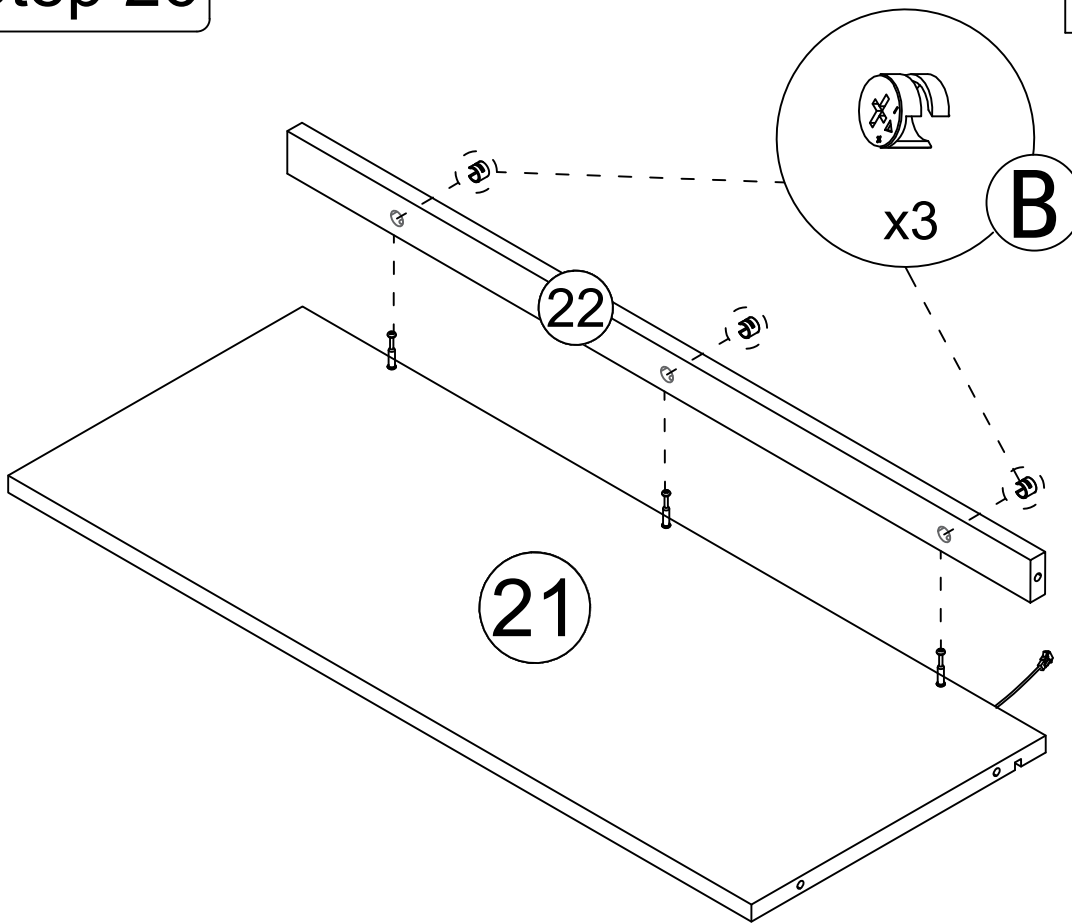
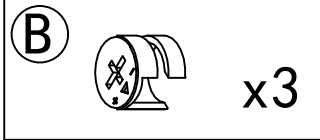
# Step 24



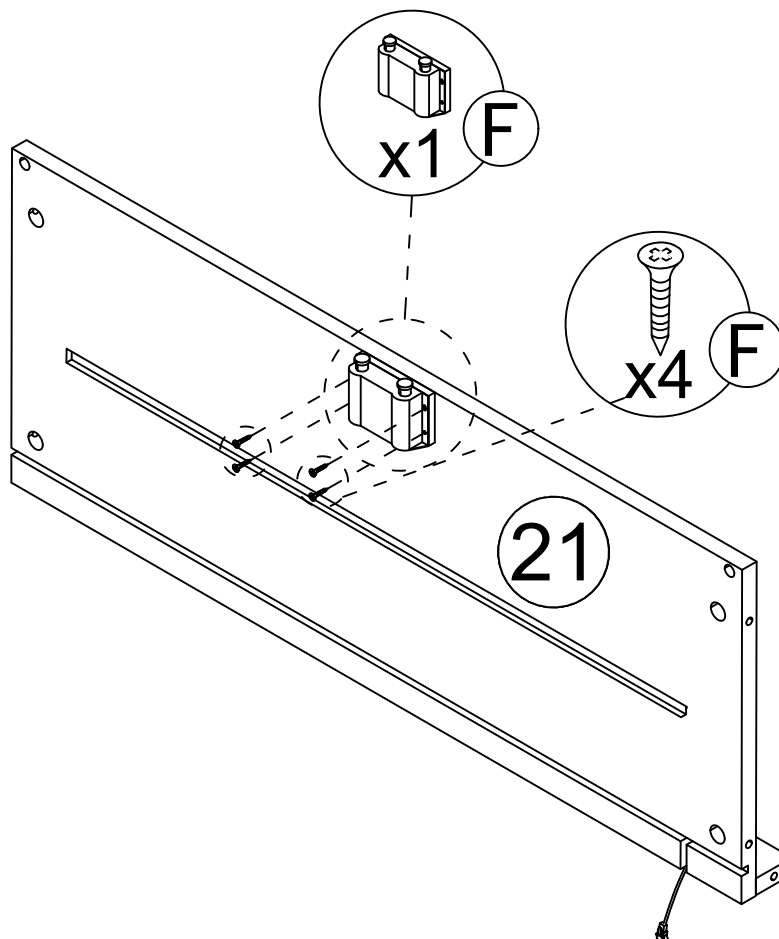
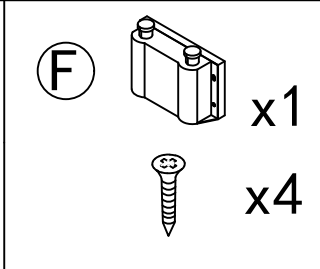
# Step 25




# Step 26

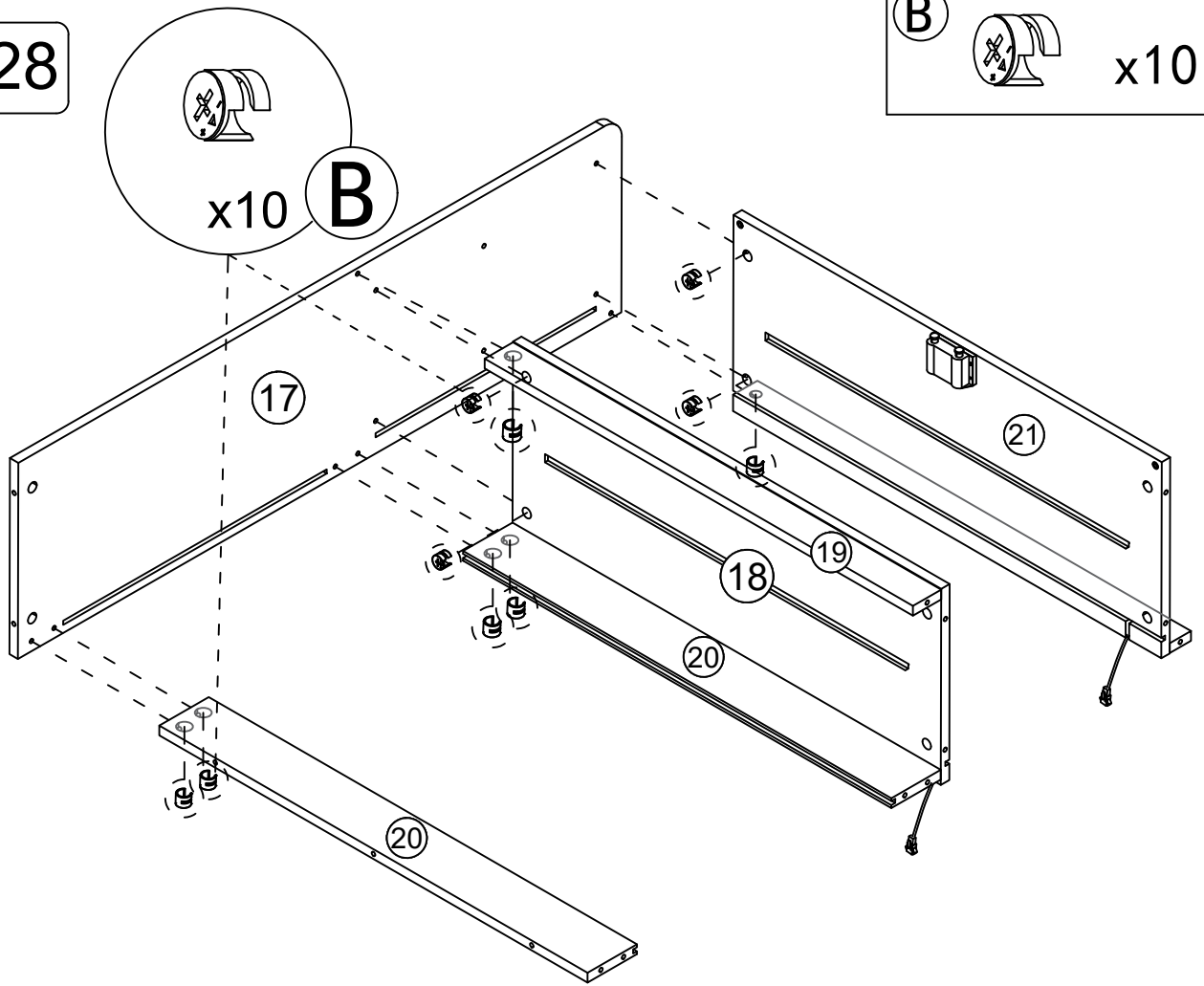


# Step 27

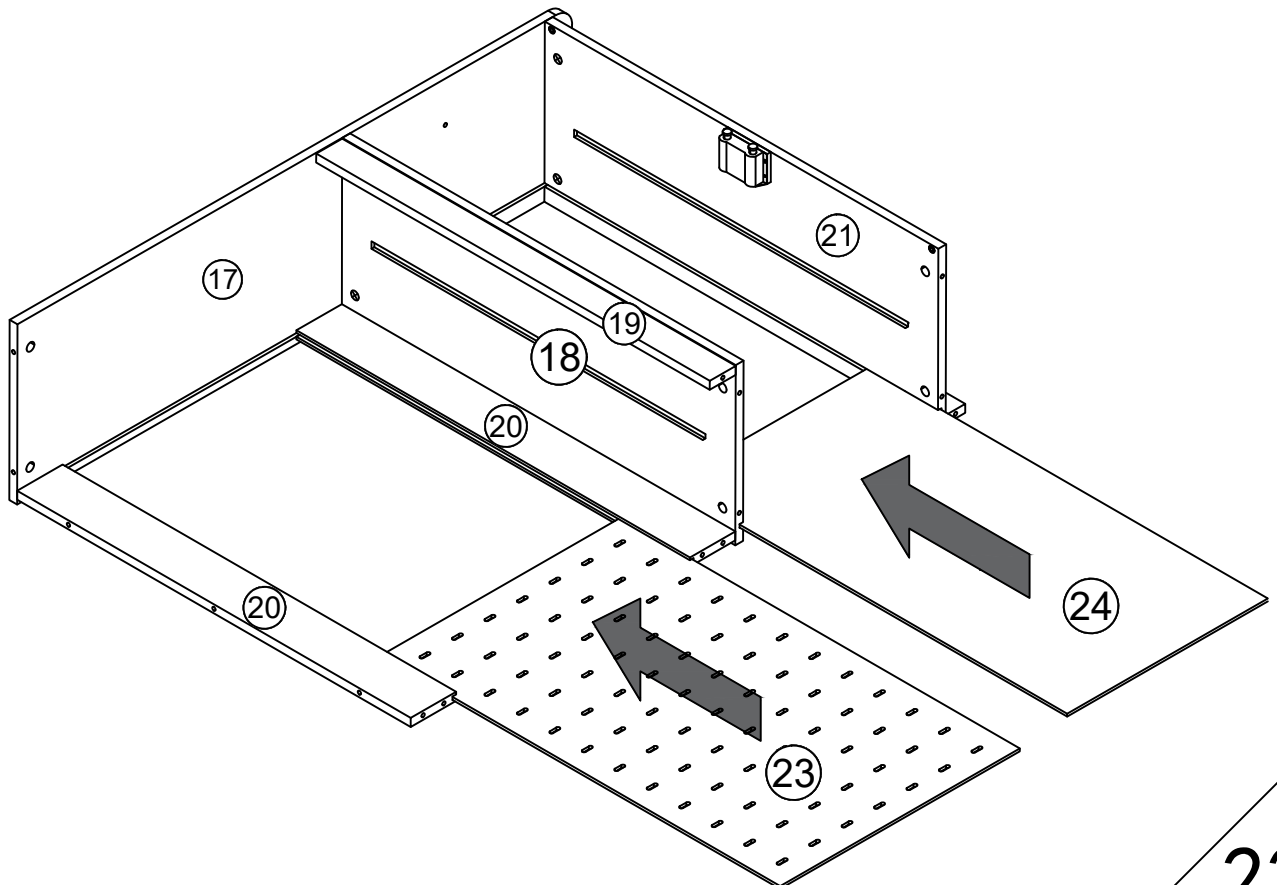


# Step 28

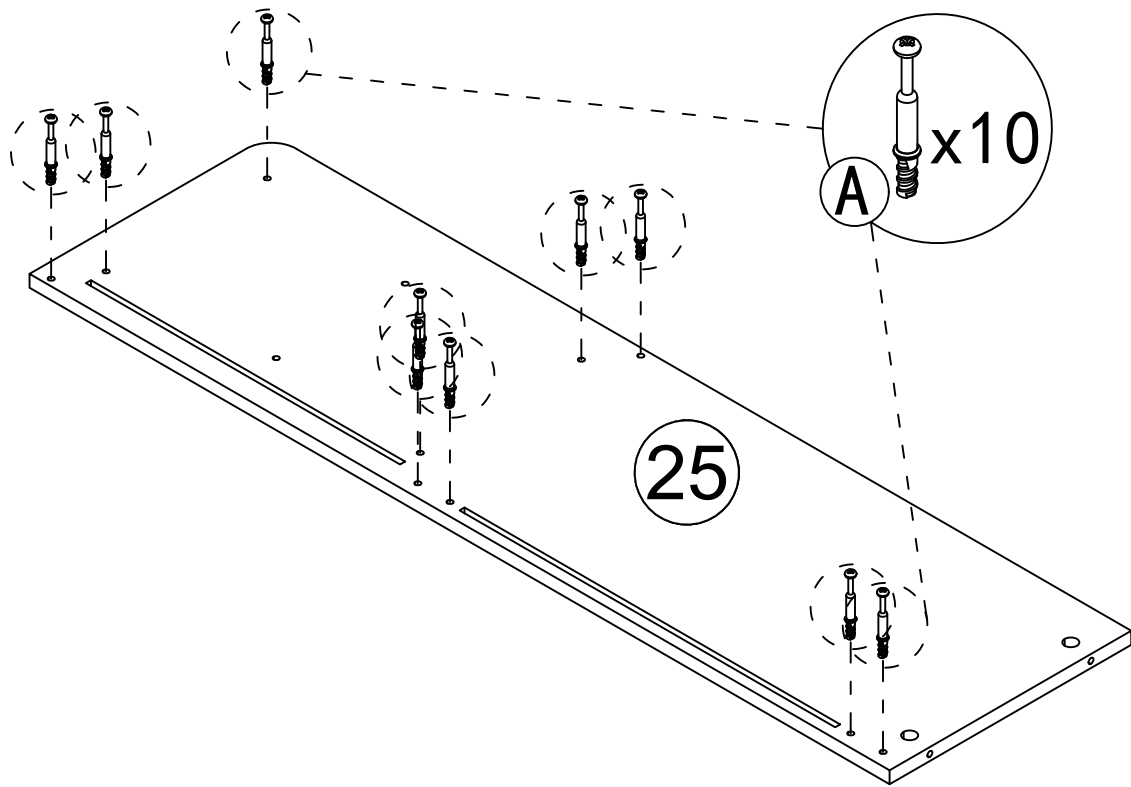
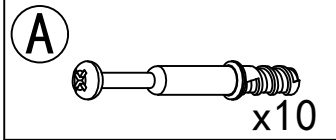
**B**  x10



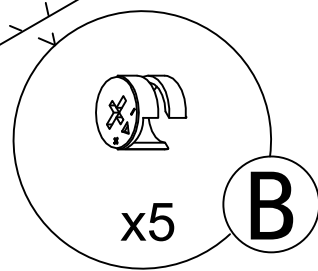
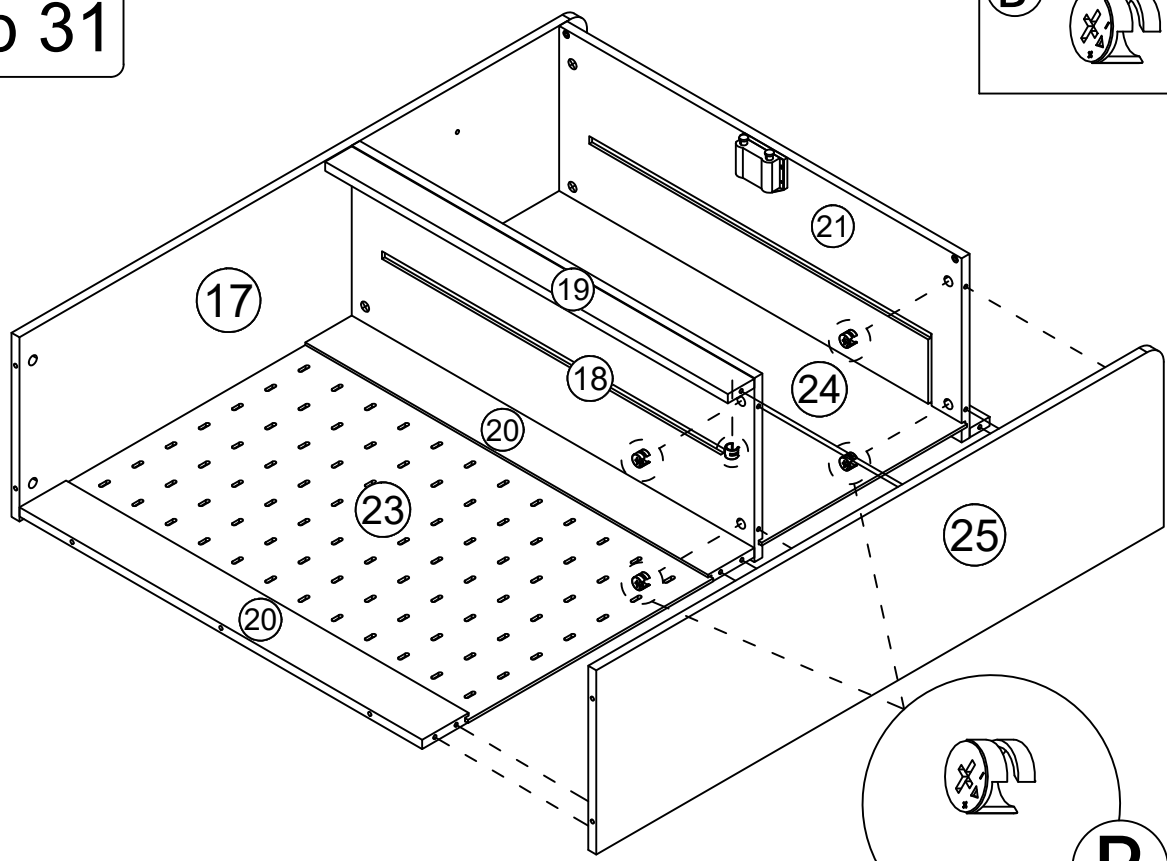
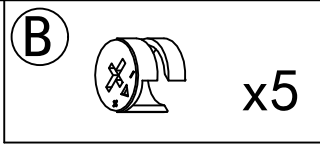
# Step 29



# Step 30





# Step 31

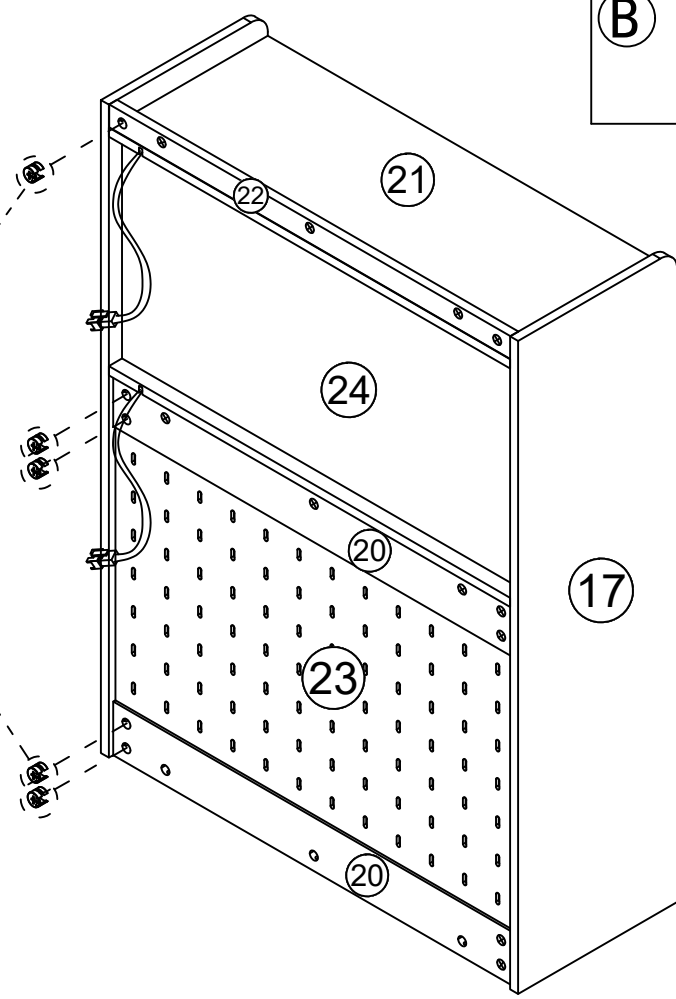
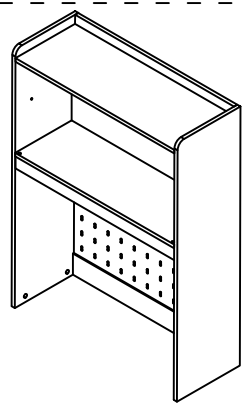


24


# Step 32

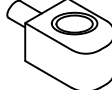
**B**  x5

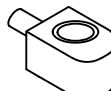
**B**  x5




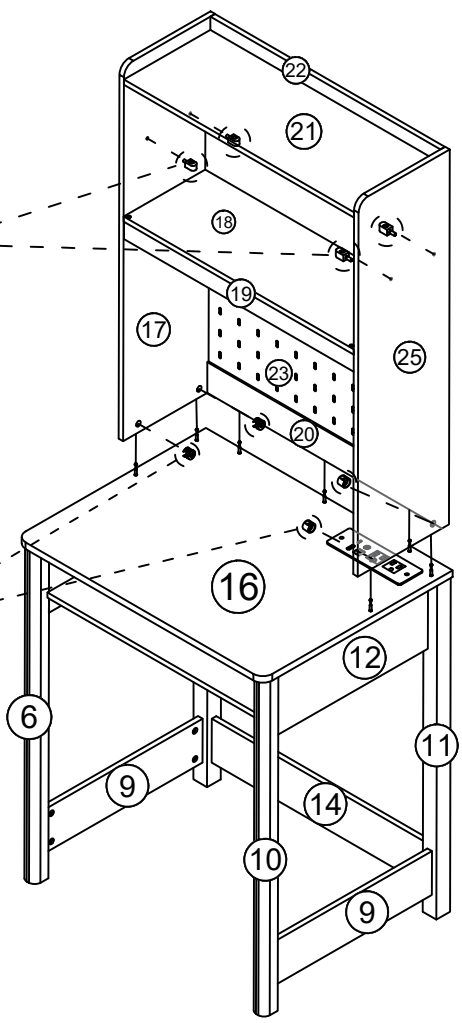
# Step 33

**B**  x4

**E**  x4

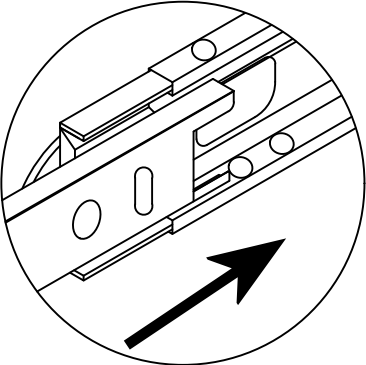
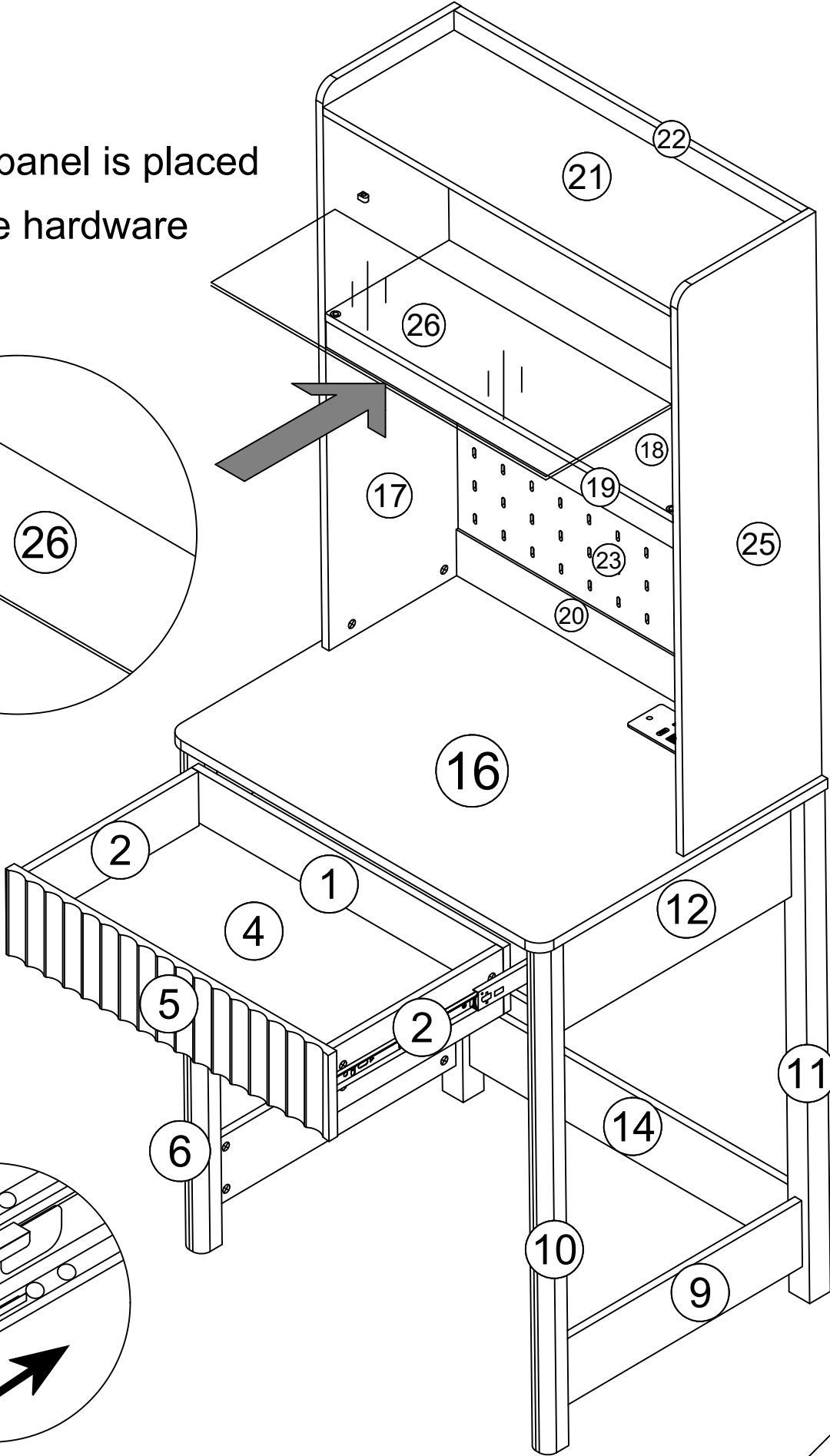
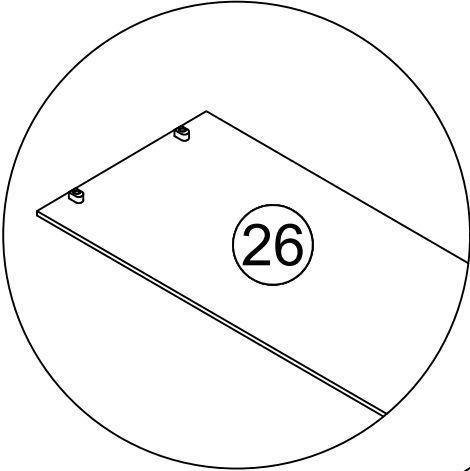
**E**  x4

**B**  x4

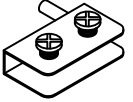


# Step 34

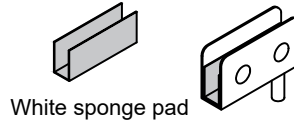
The glass panel is placed on the hardware



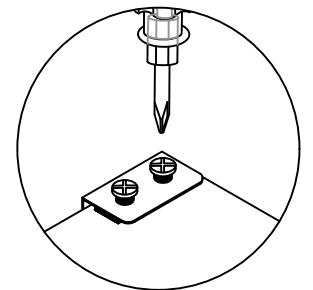
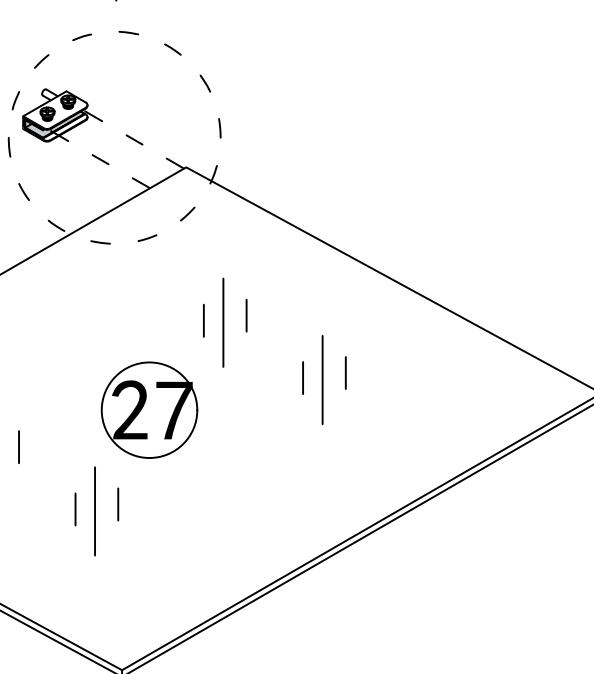
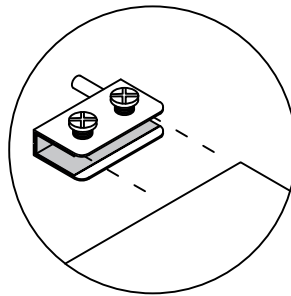
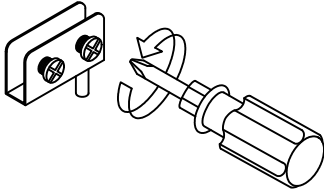
# Step 35

F  x1

The white sponge remains unchanged inside the part.



First, completely unscrew the screws on the parts

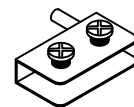


Locking screw

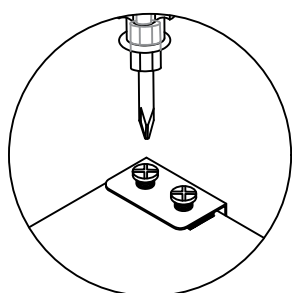
Pay attention to the direction of the door hinge, rotate the screws to compress the black gasket, and do not place it in the opposite direction

# Step 36

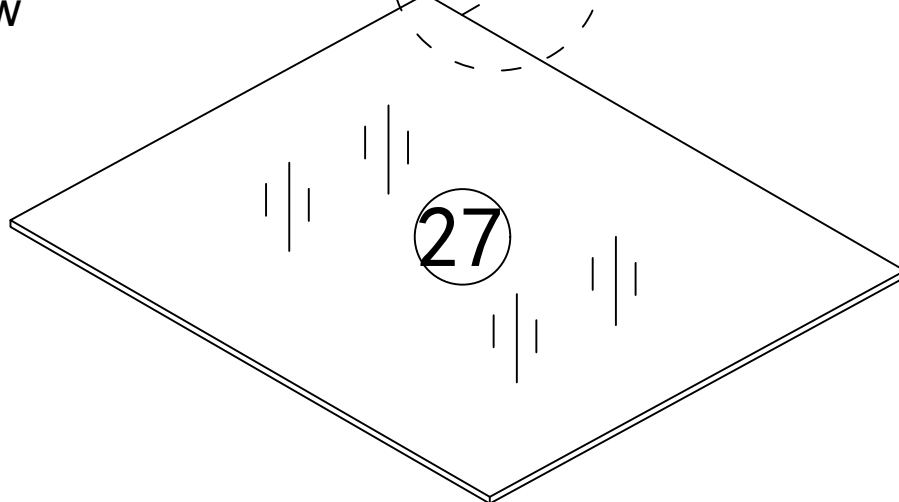
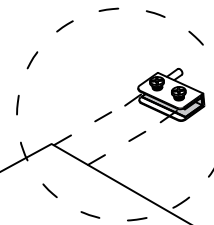
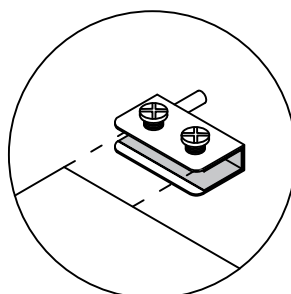
F



x1

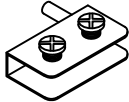



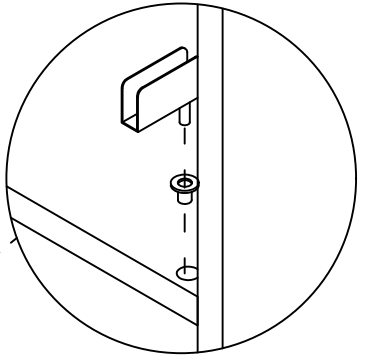
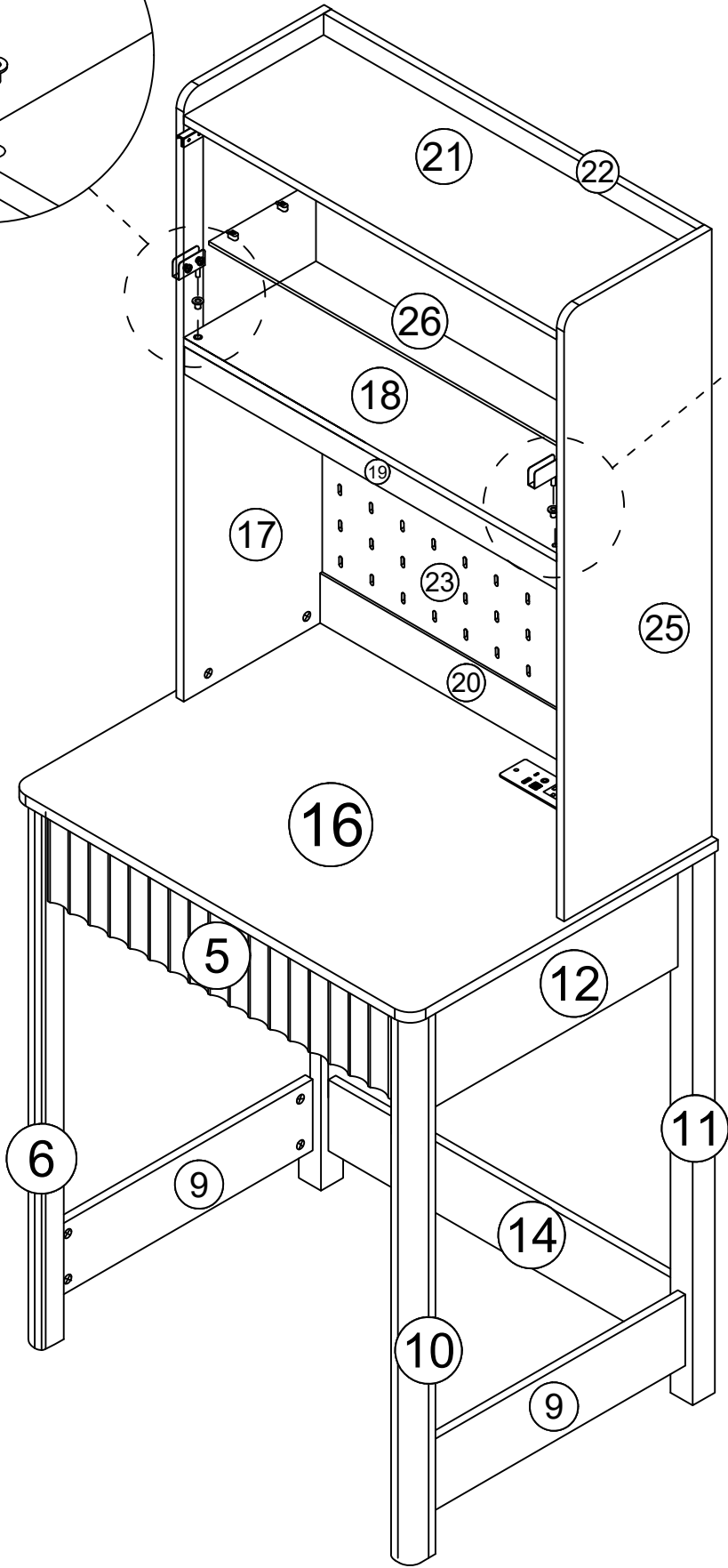
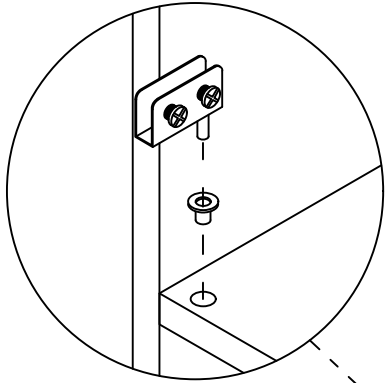
Locking screw



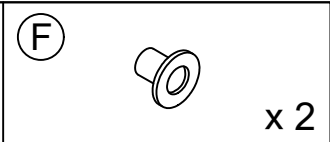
Pay attention to the direction of the door hinge, rotate the screws to compress the black gasket, and do not place it in the opposite direction

# Step 37

- (F)  x2
-  x2

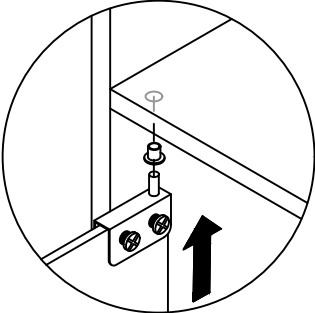
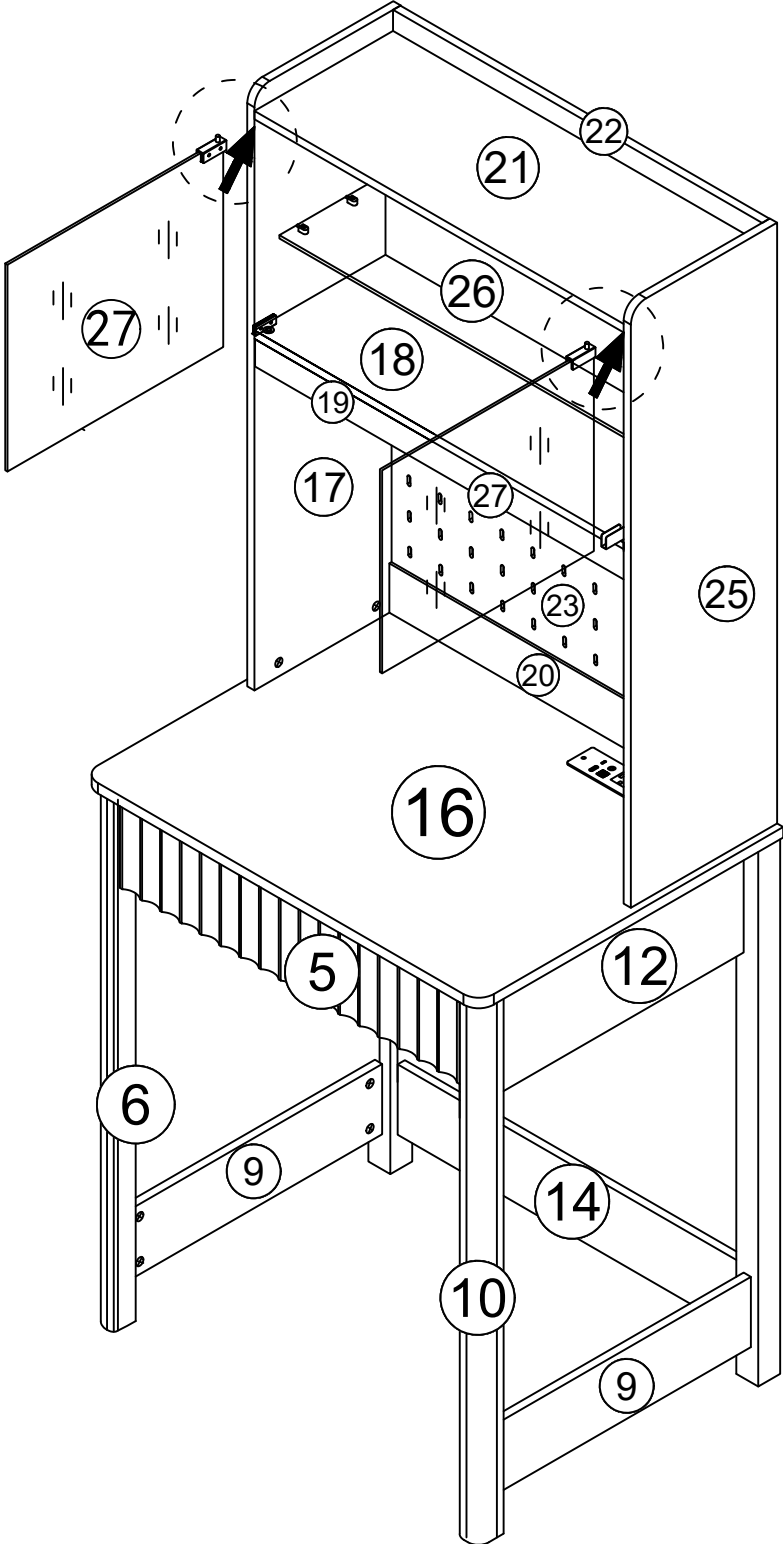


# Step 38

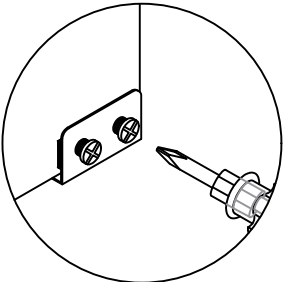


Pay attention to the direction of the door hinge during installation

When installing a glass door, it is recommended to have two people install it to avoid the glass door colliding or hitting oneself.



first




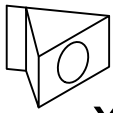

third

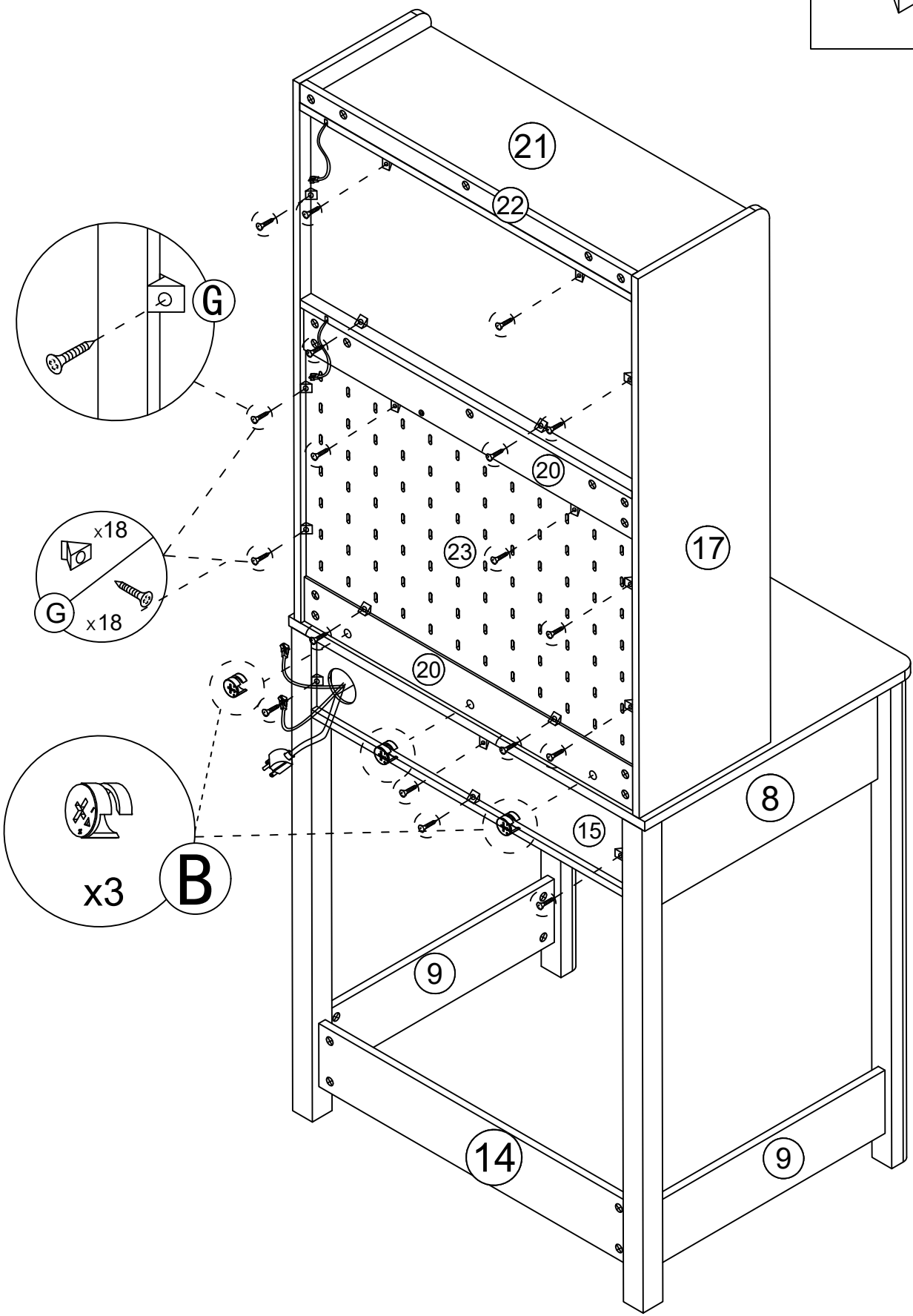
Locking screw



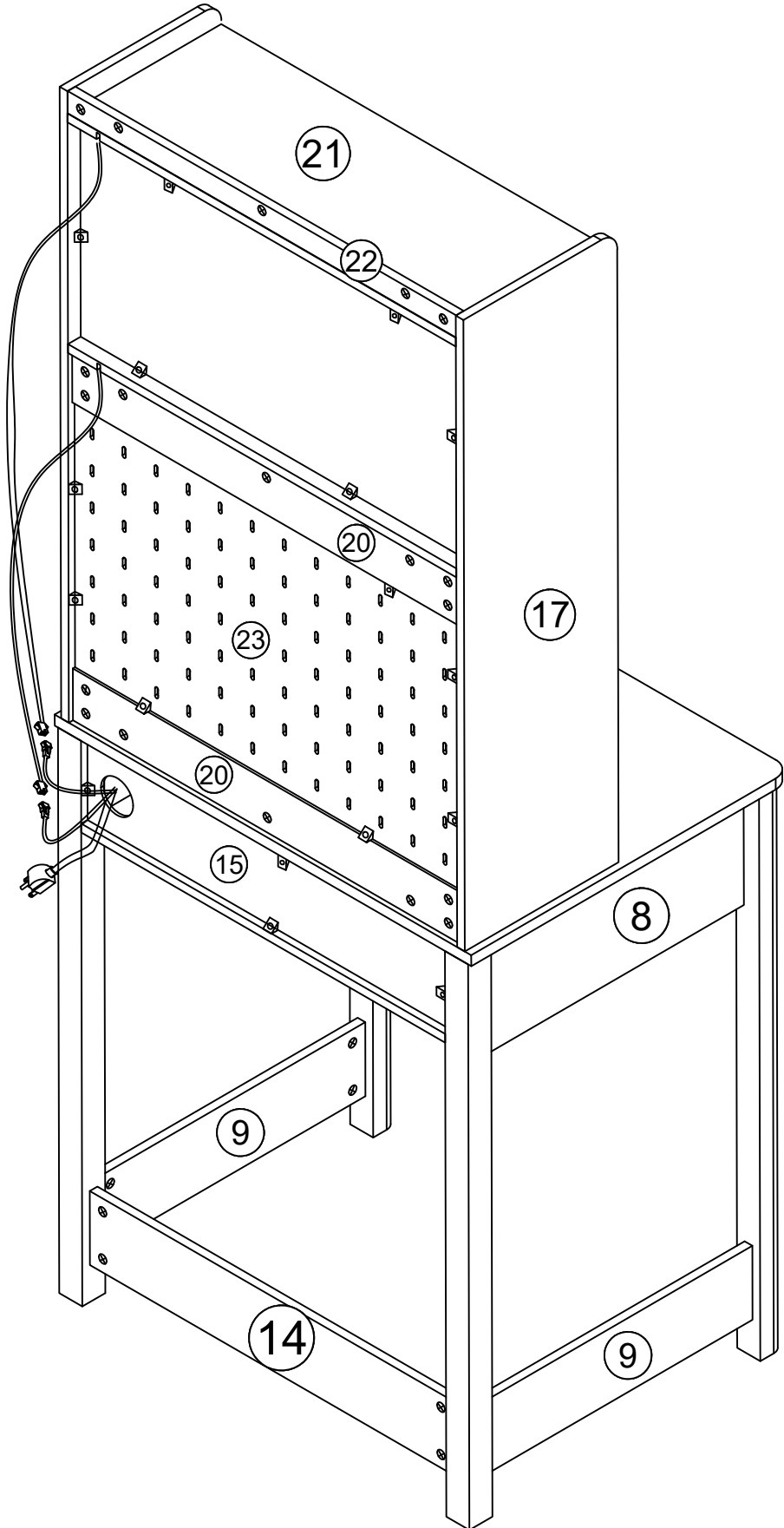
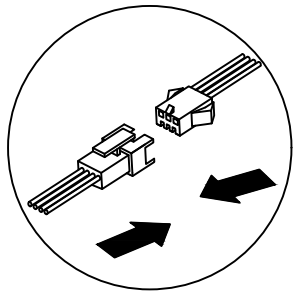
# Step 40

**B**  x3

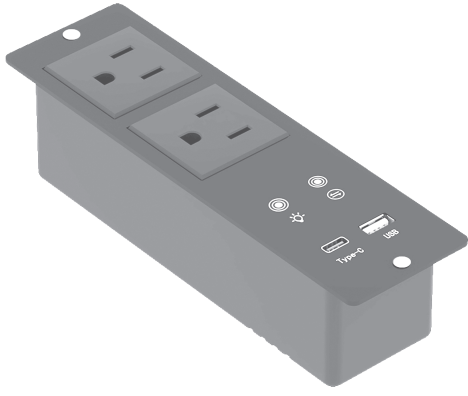
**G**   x18



# Step 41







## User's Guide

Thank you for purchasing this product.

To use this product, please connect it to a power source.

Please use if the product works normally after connecting to power.

## Introduction

The box is an intelligent controller. It has 1 USB output port 1 Type-c port and can distribute the current output up to 5V DC-2A. With 2 touch buttons, it can turn. ON/OFF the light, change light colors, and adjust the light luminance.

## Operation



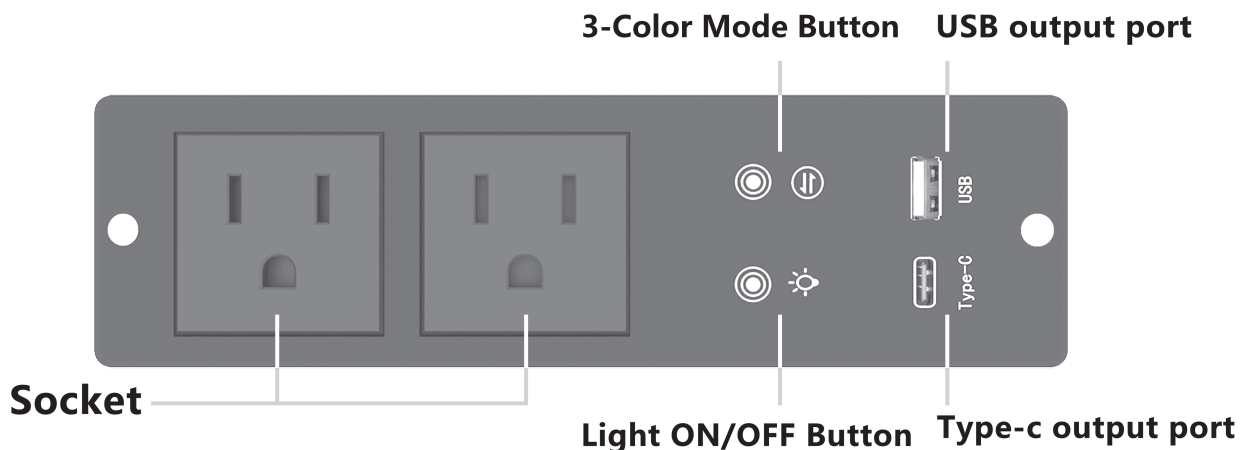
This touch button controls the on/off of the light

Short touch -> lighting on -> short touch -> lighting off.



This touch button controls the color switching and brightness adjustment of the light

1. It can only be used when the light is on
2. Offering 3 different colors to choose from. Simply tap to cycle through the options.
3. Long touch -> adjust the luminance.



## ATTENTION PLEASE

1. If there is no touch response suddenly, Re-plug the power to reset the touch static electricity.
2. If you have any questions when installing, please feel free to contact us. Thank you.